

BSAC 2004

TIMKEN®

1989 AND OLDER

**BEARING AND SEAL APPLICATION CATALOG
FOR AUTOMOTIVE AND LIGHT TRUCK**

**A LEADER IN MANUFACTURING
AND BEARING HUB TECHNOLOGY**

THE TIMKEN COMPANY

BEARING AND SEAL APPLICATION CATALOG

1989 and Older

INTRODUCTION

Original equipment quality is what you get with every aftermarket bearing, seal and hub unit sold by Timken. Vehicle manufacturers from around the world choose the Timken name because of its reputation for quality. You too can choose Timken with the same confidence vehicle manufacturers have had for more than a century.

Use this catalog as a complete reference for a full-line of Timken automotive aftermarket parts. An expanded listing of hub units is included in this edition.

As a leader in hub technology for Original Equipment manufacturers, The Timken Company is also a leader in the automotive aftermarket for this product line.

If you have comments on the 2004 BSAC 1989 or Older, please complete the postage paid card found in the back of this catalog or send an e-mail to auto-am@timken.com.

Bearings

- Ball Bearings
- Clutch Release Bearings
- Cylindrical Bearings
- Cylindrical Axle Repair Bearings
- Driveline Center Support Bearings
- Needle Bearings
- Tapered Bearings

Harmonic Balancer Repair Kits

Hub Assemblies

- ABS Hub Assemblies
- ABS Hub Assemblies with SENSOR-PAC™ Bearings
- Non-ABS Hub Assemblies
- Non-ABS Hub Assemblies with UNIPAC™ – Bearings
- Non-ABS Hub Assemblies with UNIPAC-PLUS™ – Bearings

KWIK-Sleeves™ – Components

Sensor Kits

Seals

- Automotive
- Industrial
- Light Duty Oil Bath Seals
- Metric

Specialty Kits

- DT Components® Drivetrain Products
- Differential Kits
- MileMate® Matched Wheel Bearing Sets
- Transmission Kits
- Transaxle & Transfer Case Kits
- Trailer Kits
- Kits with Standard Bearings
- Premium Kits with AquaSpexx™ Bearings

DT Components® Drivetrain Products and MileMate® Matched Wheel Bearing Sets are trademarks of The Timken Company.

TABLE OF CONTENTS

SECTION	PAGE
Product Line List	Inside Front Cover
Setting the Pace for Automotive Aftermarket	ii
How to Use This Catalog	iii
Warning	iii
Application Index – Model to Page Number	iv-vii
Applications	1-559
Model to Manufacturer Cross Reference	560-562
Wheel Bearing Replacement	563-564
Seal Installation Procedures	565-566
Rear Wheel Repair Package Bearings	567
Driveline Center Support Bearings	568
Timken Set Interchange	Inside Back Cover

SETTING THE PACE FOR AUTOMOTIVE AFTERMARKET

The New Timken Company

Timken took the boldest move in our company's history with the 2003 acquisition of The Torrington Company. This increased our size by nearly 50%. By successfully integrating these two industry leaders, we are creating a platform for growth - and boundless opportunities for our future.

A Brand You Can Trust

Our master brand - Timken® - is our most powerful asset. So when we added Torrington® and other sub-brands to the Timken family, we multiplied that power. Timken's name is only on the kind of quality products and services our customers have come to expect from us ... and on some that exceed their expectations.

Quality In: MANUFACTURING

The combination of Timken and Torrington expands our product line and our competitive edge in more than 80 manufacturing plants. What's the goal - to continue offering products that extend beyond the bearing itself to the environment around the bearing. To ensure design control, all part dimensions and specifications are maintained in our centralized database.

In addition to the products Timken manufactures, we supplement that product offering with service parts from other suppliers. Sample products are obtained from external suppliers, then tested in Timken labs to ensure all products meet Timken stringent quality standards.

HUBS

Original Equipment market strengths are transferred to our aftermarket hubs, offering customers a completed line of quality replacement parts. For example, the front wheels of the 2004 Nissan Titan truck contain Timken® SENSOR-PAC™ bearings, hub assemblies and other Timken parts.

A complete line of hub assemblies including SENSOR-PAC, UNIPAC™ and UNIPAC-PLUS™ bearings are included in this catalog. Timken hub units are pre-set, pre-greased and pre-sealed, which makes installation easier.

SEALS

Timken understands the criticality of seals in this industry. Leveraging our knowledge and experience begins with bearings, we partner with leading seal manufacturers to offer a broad line of light-duty and heavy-duty seals. In fact, Timken has more than 50 design patents on seal technology. Every seal sold by Timken is manufactured with the same quality that goes into every Timken® bearing.

MATERIALS

Timken steel is among the cleanest in the world. Whether semi-finished, finished precision or purchased, this steel produces quality hubs, bearings, races and thousands of automotive products you've come to depend on. With more than 85 years of steel expertise and 300 specialty grades of steel, Timken still submits to ongoing testing and supplier quality audits.

DESIGN

\$75 million is invested in research and development to seek new solutions for automotive customers. Last year, we developed nearly 3,000 new prototypes because supplying our customers with superior products and exemplary service is not new for Timken. What is new is how this new Timken company views our customers, anticipate their product needs and find even better ways to serve them.

HOW TO USE THIS CATALOG

See the Application Index Model to Page Number beginning on page iv, to find the page number of your vehicle. Consolidated application sections for some transmission/transaxles, generator and alternator bearings are also listed.

Determine the make, model and year of the vehicle.

- Year of customer's vehicle can be found in the Vehicle Identification Number on the dash, looking through the windshield, or on the doorjamb.
- Engine size can be found on the decal under the hood or use the eighth digit from the left of the V.I.N. to determine engine size.
- The type of braking system (ABS or non-ABS, front or 4-wheel) can be found through actual inspection of the

system, or in the case of General Motors, the line card located in the trunk or the glove box will contain the actual brake codes.

Vehicles are arranged alphabetically by make and model or you can turn to page iv to find the page number for the vehicle you are working with.

Once the page is located, listings are in this order; front wheel, rear wheel, clutch release, differential kit (if available), differential and pinion.

- Quantities needed to do a complete repair are contained in brackets, if different from model applications*

* For example, Front Wheel Bearings normally require a quantity of two.

WARNING

Failure to observe the following warnings could lead to a risk of serious bodily harm.

The products catalogued are application specific. Any use in applications other than those intended could lead to equipment failure or to reduced equipment life. Proper maintenance and handling practices are critical.

Follow the equipment manufacturer's installation instructions. Failure to follow installation instructions and to maintain proper lubrication can cause equipment failure, creating a risk of serious bodily harm.

Never spin a bearing with compressed air. The components may be forcefully expelled, creating a risk of bodily harm.

APPLICATION INDEX MODEL TO PAGE NUMBER

PASSENGER CARS

Acura		Cadillac front drive		Dodge front drive	
Integra, Legend	1	Allante	48	Aries, Daytona, Dynasty, Lancer,	
Alfa Romeo		Cimarron.....	49	Shadow, Spirit, 600	157
164	2	DeVille, Fleetwood.....	50	Charger, GHL, Omni, Shelby,	
AMC/Jeep (See Jeep listings)		Eldorado.....	51	Rampage, Shelby, 400	159
AMC/Renault (See Renault listings)		Seville.....	53	Dodge rear drive	
American Motors		Cadillac rear drive		Aspen, Challenger, Dart, Lancer.....	160
Ambassador, AMX, Classic, Concord,		Calais, DeVille, Fleetwood,		Charger, Magnuson.....	165
Gremlin, Hornet, Javelin, Marlin,		Chassis/Limo.....	55	Coronet, Diplomat, Matador, Mirada,	
Matador, Pacer, Rambler, Rambler		Seville.....	57	Monaco, Polara, Royal, St. Regis,	
American, Rebel, SC Rambler, Spirit	4	Checker	57	Sierra, Challenger	168
American Motors		Chevrolet front drive		Dodge imports	
Eagle, SX4	7	Beretta, Corsica, Cavalier	59	Challenger, Colt, Conquest, Stealth	173
Aston Martin	8	Celebrity	61	Eagle	
Audi		Citation	63	Medallion, Premier, Summit	211
80s, 90s, 100s, 200s	9	Chevrolet rear drive		Ferrari	214
4000s, 5000s, Cpe Quattro, Coupe	12	Chevelle/Malibu.....	64	Fiat	215
Super 90, Fox, Coupe	14	Bel Air, Biscayne, Brookwood,		Ford front drive	
Austin	15	Caprice, Estate Wagon, Impala,		Escort, EXP	217
Austin Healey	16	Kingswood, Townsman, Taxi, Police.....	67	Probe	219
Austin Rover (See Rover)		Camaro.....	72	Taurus.....	220
Austin-Morris (See MG, Morris, Riley)		Chevette	76	Ford front drive - AWD	
Avanti II	16	Chevy II, Nova.....	77	Tempo.....	221
Bentley (See also Rolls Royce)		Corvette.....	82	Ford rear drive	
Continental, Corniche, Eight,		Monte Carlo.....	85	Brougham, Country Sedan,	
Mulsanne, Turbo R, T2.....	17	Monza, Vega.....	89	Country Squire, Crown Victoria,	
Bertone (See Fiat X 19)		Chevrolet imports (See also Geo)		Custom, Edsel, Galaxie, LTD,	
Bitter	17	Metro, Nova, Prism, Spectrum, Sprint....	91	Parklane, Ranch Wagon, Squire,	
BMW	18	Chrysler front drive		Skyliner.....	223
Buick front drive		Concorde, E Class, Imperial, Laser,		Elite, Fairlane, LTD II, Ranchero,	
Century	27	LeBaron, LHS, New Yorker, 300M	144	Torino.....	228
Electra, LeSabre,		Chrysler rear drive		Fairmont	232
Electra Park Avenue	29	C Series, Cordoba, Estate Wagon,		Falcon, Maverick	233
Regal.....	29	Fifth Avenue, LeBaron, Newport,		Granada	236
Riviera, Reatta.....	30	New Yorker, Royal, Saratoga,		Mustang.....	238
Skyhawk	31	Town & Country, Windsor,		Pinto.....	244
Skylark, Somerset	33	5-Passenger, 300.....	145	Thunderbird.....	246
Buick rear drive		Imperial	149	Ford antique	251
Electra, Estate Wagon, LeSabre,		Crosley	154	Ford imports	
Riviera, Wildcat, 40, 50, 60, 70,		Cushman	154	British, German, Brazillian, Korean.....	251
90, Special	34	Dacia	154	Festiva.....	253
Regal.....	38	Daihatsu passenger car		Fiesta.....	254
Century, GS, Skylark, Special.....	41	Charade.....	154	Frazer	
Skyhawk	44	Datsun (See Nissan)		Manhattan, Vagabond.....	299
Apollo	46	Delorean	155	Geo	
Opel.....	47	Desoto		Metro, Prizm, Spectrum, Storm.....	301
		Estate Wagon, Firedome, Fireflite,		Hillman	302
		Firesweep, S Series	156	Holden	304
		Divco	157		
		DKW	157		

APPLICATION INDEX MODEL TO PAGE NUMBER *continued*

Honda passenger car			
600	305		
Accord	305		
Civic, Civic CVCC	307		
CRX.....	309		
Prelude	311		
Hudson			
Big Boy, Commodore, Country Club, DeLuxe, Hollywood, Hornet, Italia, Jet, Jet Liner, Pacemaker, Rambler, Super 6, Super 8, Super Jet, Super Wasp, Traveller, Wasp, 10-20 Series.....	313		
Humber			
Hawk, Imperial, Sceptre, Snipe, Super Snipe	313		
Hyundai			
Excel, Scoupe, Sonata	314		
Isuzu front drive			
I-Mark, Impulse, Impulse AWD, Stylus	324		
Isuzu rear drive			
I-Mark, Impulse	325		
Jaguar	332		
Jensen/Jensen-Healey	359		
Kaiser	359		
Lada	360		
Lamborghini	360		
Lancia	360		
Lincoln front drive			
Continental	361		
Lincoln rear drive			
Continental, Mark Series, Towncar, Versailles.....	361		
Lloyd	364		
Lotus	364		
Maserati	365		
Mazda front drive			
GLC, MX6, 323, 323 AWD, 626	366		
Mazda rear drive			
Cosmo, GLC, Mizer, MX5 Miata, 616, 618, 626, 808, 929, RX2, RX3, RX4, RX7	369		
Mercedes Benz	375		
Mercury front drive			
Lynx, LN7	379		
Sable	381		
Tracer.....	382		
Mercury front drive - AWD			
Topaz.....	383		
Mercury rear frive			
Bobcat	384		
Brougham, Colony Park, Commuter, Grand Marquis, Marquis, Marauder, Medalist, Montclair, Monterey, Park Lane	385		
Capri	390		
Comet, Cyclone, Meteor, Montego.....	393		
Cougar, XR-7	397		
Monarch	401		
Zephyr	402		
Merkur	404		
Metropolitan (See also Austin)	404		
MG	405		
Mitsubishi front drive			
Cordia, Galant, Galant AWD, Galant Sigma, Mirage, Precis, Tredia...406			
Mitsubishi rear drive			
Starion	408		
Morgan	412		
Morris	412		
Nash			
Air Flyte, Ambassador, Brougham, Club Coupe, Custom, Deluxe, Rambler, Rebel, Statesman, Super, 600 and all numbered series.....	413		
Nissan/Datsun front wheel			
Maxima, Pulsar, Sentra, Sentra AWD, Stanza, Stanza AWD, 200SX, 310, F10	414		
Nissan/Datsun rear wheel			
Bluebird, B110, B210, Maxima, Sedan, 1000, 1200, 1500, 1600, 200SX, 2000, 210, 240SX, 240Z, 260Z, 280Z, 280ZX, 300ZX, 410, 411, 510, 610, 710, 810.....	419		
NSU	430		
Oldsmobile front drive			
Cutlass Calais, Cutlass Calais International, Cutlass Calais Supreme.....	430		
Toronado, Toronado Trofeo	432		
Eighty Eight, Ninety Eight, Touring Sedan	433		
Cutlass Ciera, Cutlass Cruiser, Omega	434		
Firenza	435		
Oldsmobile rear drive			
Classic 98, Cruiser Wagon, Custom Cruiser, Delta 88, Delmont 88, Dynamic 88, Holiday, Ninety-Eight, Starfire, Super 88, 88, 88 Royale, 98...436			
Cutlass, Cutlass Cruiser, F-85 Series, Vista Cruiser, 4-4-2, Jetstar 1	440		
Omega, Starfire	445		
Packard			
Caribbean, Cavalier, Clipper Series, Commodore, Convertible, Custom 8, Darrin, Eight, Executive, Hawk, Hearse, Limousine, Mayfair, Pacific, Panama, Patrician, Sport Convertible Coupe, Station Sedan, Super Cl.....	447		
Panhard	448		
Paycan	448		
Peugeot	448		
Plymouth front drive			
Acclaim, Caravelle, Reliant, Sundance	449		
Horizon, Scamp, TC3, Turismo	451		
Plymouth rear drive			
Barracuda, Duster, Valiant, Volare	452		
Belvedere, Caravelle, Fury, GTX, Roadrunner, Satellite	456		
Plymouth import (See also Mitsubishi)			
Arrow, Champ, Colt, Conquest, Cricket, Laser, Sapporo	460		
Pontiac front drive			
Bonneville	469		
Grand Am	469		
Grand Prix	470		
J2000, Sunbird	471		
Phoenix	473		
Pontiac front drive - AWD			
6000	474		
Pontiac rear drive			
Astre, Sunbird.....	475		
Bonneville, Catalina, Chieftain, Grand Safari, Executive, Grandville, Parisienne, Safari, Star Chief, 2+2.....	477		
Grand Am, Grand Prix, GTO, LeMans, Mid Size Bonneville, Tempest.....	482		
Fiero	487		
Firebird, Formula, Trans-Am, GTA	488		
Phoenix, Ventura II	492		
T1000.....	495		
Pontiac import - front drive			
Firefly (Canada), Optima, Sunburst.....	496		
LeMans	497		

APPLICATION INDEX MODEL TO PAGE NUMBER *continued*

Porsche	497	Subaru	514	Volkswagen type I	
Renault	501	Sunbeam	518	Beetle, Karmann Ghia, Thing	544
Riley	503	Suzuki	519	Volkswagen water cooled	
Rolls Royce	504	Toyota front drive		Cabrio, Cabriolet, Corrado, Dasher,	
Saab	507	Camry, Camry AWD, Celica,		Fox, Golf, GTI, Jetta, New Beetle,	
Simca	509	Celica AWD, Corolla AWD,		Passat, Rabbit, Scirocco, Quantum,	
Singer	510	Corolla FX, Tercel, Tercel Wagon		Quantum Synchro	545
Skoda (Russia)	510	4WD Corolla,	522	Volkswagen type II	
Sterling	510	Toyota rear drive		Bus, EuroVan, Transporter, Van,	
Studebaker		Carina, Celica, Corolla, Corona,		Vanagon, Camper, Westfalia.....	548
Avanti, Broadmoor, Challenger,		Corona Mark II, Cressida, Starlet,		Volkswagen type III	
Champion, Commander, Conestoga,		Supra.....	527	Fastback, Sedan, Squareback	550
Cruiser, Daytona, Hawk Series,		Triumph	539	Volkswagen type IV	
Land Cruiser, Lark, Parkview, Pelham,		TVR	542	411, 412.....	551
President, Provincial, Scotsman,		Vauxhall	545	Volvo	552
Station Wagon, Taxi, Wagonaire.....	511			Yugo	558

APPLICATION INDEX MODEL TO PAGE NUMBER *continued*

TRUCKS, SUV'S AND VANS

AM General truck

Humvee8

Chevrolet/GMC light trucks

Astro, Safari93
 El Camino, Cabrello, Sprint.....95
 S10/S15 PU, Sport Utility98
 Luv.....101

Chevrolet/GMC light and 1/2 ton truck

C10/15, K10/15, R10/15, V10/15,
 Blazer/Jimmy, Suburban103
 Full size vans - G10/G15110

Chevrolet/GMC 3/4 trucks

C20/25, K20/25, R20/25, V20/25,
 Suburban113
 Full size vans - G20/G25, P20/P25 ...120

Chevrolet/GMC 1 ton trucks

C30/35, K30/35, R30/35, V30/35.....124
 Full size vans - G30/G35, P30/P35131

Chevrolet 1 1/2 - 2 1/2 ton truck

40, 50, 60, 70, 4100, 4400, 4500.....134

Chrysler truck and van

Town & Country van152

Crane-Carrier truck

.....153

Dodge mini van - front drive - AWD

Caravan, Mini Ram van177

Dodge light truck

D50, Raider, Ram 50179

Dodge light and 1/2 ton

100, 150, 1500 Series, Pickup,
 Ramcharger, Power Wagon181

Dodge 3/4 ton truck

200, 250 Series, 2500 Series,
 Pickup, Power Wagon, Van189

Dodge 1 ton truck

300, 350, 3500 Series, WD20, WD21,
 M375, Motor Home, Pickup, Van198

Dodge 1 1/2, 2, 2 1/2 ton truck

400, 500, 600, 700 Series trucks,
 Motor Home Chassis205

Flxible

.....217

Ford light truck

Aerostar, Bronco II, Explorer,
 Ranger254

Ford light van and SUV

Courier258

Ford truck full size SUV

Bronco259

Ford truck 1/2 ton

E100, F100, E150, F150, Econoline,
 Parcel delivery, Pickup263

Ford truck 3/4 ton

E200, F200, E250, F250, Econoline,
 Parcel delivery, Pickup273

Ford truck 1 ton

F3, F53, F59, E300, E350, F350,
 M400, P400, 3500 Series, Econoline,
 Motor home, Parcel delivery, Pickup,
 F450 Super Duty, Van283

Ford truck 1 1/2 - 2 1/2 ton

400, 450, 500, 600, 700, 4000,
 4500 Series, Pickup, Parcel delivery,
 Motor Home Chassis293

Fuso truck

FE Series, FG Series300
 FH Series, FK Series, FM Series.....300

Grumman

Postal vehicle302

Hino truck

FA, FB Series303
 FD, FE, FF, FG, GC, SF, SG Series.....303

International truck - Scout Series

Scout, Scout 80, Scout 800, Scout II,
 Travelall.....316

International truck 1/2, 3/4, 1, 1 1/2, 2 ton

All models - by axle designation318

Isuzu tight truck

Amigo, P'up, Pickup, Trooper327

Isuzu truck - commercial

EVR, FRR, FSR, FTR, FVR, NRR.....330

Iveco truck

Light Z100, Z110, 1014AS, 110,
 120TA, 1211, 1212, 1214, 1214AS,
 1216AS, 1314, 1314AS331
 Medium 200, 300, 400, 1500, 1800332

Jeep sport utility

Cherokee.....335

Jeep

Jeep, Jeepster, CJ Series, Scrambler,
 Wrangler, TJ, DJ339
 Full size Wagoneer Series.....346

Jeep truck

Comanche, FC, Gladiator, Pickup,
 J Series351

Mack truck

200 Series, 250 Series, 300 Series ...365

Mazda light truck

Mercedes Benz truck372
 L, LP, LPK, LPS, LS, O309D Series.....378

Mitsubishi truck, van, SUV

Mighty Max, Montero, Nativa409

Nissan/Datsun light truck

Frontier, Hardbody, Murano,
 Pathfinder, Patrol, Titan, Van,
 520, 521, 620, 720.....426

Plymouth truck - front wheel - AWD van

Voyager464

Plymouth light truck and van

Trailblazer, Trailduster,
 Voyager full-size van, PB100,
 150, 200, 250, 300, 350 Series465

Rover

.....506

Studebaker light truck

1-7, 10, 11, 12, 13, 14, 15.....513

Subaru light truck

.....517

Suzuki light truck and SUV

Samurai, Sidekick, XL7520

Toyota truck and SUV

Landcruiser, Pickup, Van,
 4Runner533

UD light truck

1100 Series543

UD medium truck

C, 550, 600, 1800,
 2000 - 3300 Series, Xpress543

Volvo truck

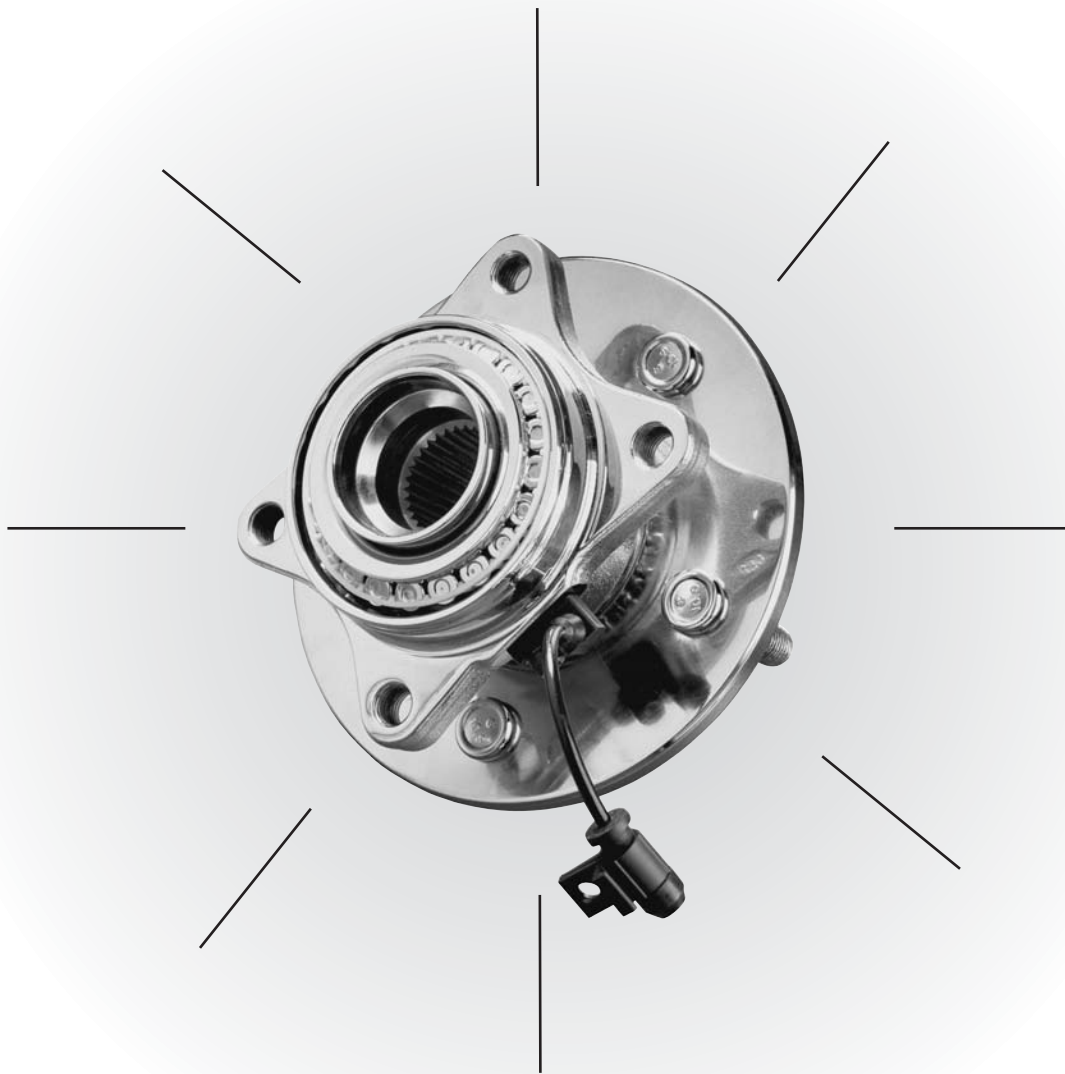
FE Series557

Ward La France truck

.....558

White - Diamond T - Reo truck

.....558



**IF YOU'RE GOING TO REPLACE
AN ORIGINAL HUB,
SHOULDN'T IT BE WITH
THE ORIGINAL HUB?**

They weren't called hubs back in 1898, but the original Timken® tapered roller bearings were, in fact, hubs as installers and warehouse distributors know them today. From hubs and seals to bearings and specialty kits, Timken offers a substantial range of parts to the auto industry. In fact, it's no coincidence that Timken hub systems are used by many of the top race teams in the prestigious Winston Cup Series. At every turn – there's uncompromised quality, consistency, and reliability. To find out why Timken is a hub leader, call 1-800-223-1954 and ask for Aftermarket; visit www.timken.com/hubs; or send an e-mail to auto.am@timken.com.

TIMKEN

WORLDWIDE LEADER IN BEARINGS AND STEEL

ACURA - FRONT DRIVE - Integra, Legend

FRONT WHEEL

1989-1988	Legend	
Bearing	513052[2]
1989-1986	Integra	
Bearing	513024[2]
1987	Legend Coupe	
Bearing	513052[2]
1987-1986	Legend Sedan	
Bearing	513054[2]

REAR WHEEL

1989	Legend Sedan base model	
Hub Assy	513048[2]
1989-1987	Legend Coupe base model	
Hub Assy	513048[2]
1989-1987	Legend exc. Base Models	
Hub Assy	513049[2]
1989-1986	Integra	
Hub Assy	513050[2]
1988-1986	Legend Sedan	
Bearing	513051[2]

CLUTCH

Pilot Bearing

1989-1986	4-cylinder	
Bearing	102CC

Release Bearing

1989-1986	Legend	
Bearing Assy	614068
1989-1986	Integra	
Bearing Assy	614031

4-SPEED AUTOMATIC TRANSAXLE

Differential

1989-1986	Integra	
Bearing	208[2]
1989-1986	Legend	
Bearing Assy	30208M[2]

Torque Convertor

1989-1986	Integra	
Seal	350609
1989-1986	Legend	
Seal	350609

Output Shaft

1989-1986	Legend	
Seal Viton	224026[2]
Kwik Slv (Opt Rpr)	KWK99157[2]
1989-1986	Integra	
Seal (RH)	224045
Kwik Slv (Opt Rpr) (RH)	KWK99157
Seal (LH)	223805
Kwik Slv (Opt Rpr) (LH)	KWK99157

4-SPEED AUTOMATIC TRANSAXLE

Selector Shaft Seal/Man. Shaft

1989-1986		
Seal	221207
Kwik Slv (Opt Rpr)	KWK99049

5-SPEED MANUAL TRANSAXLE

Differential

1989-1986	Integra (A1,CG,S1,SS0,S80, YS1,Y80)	
Bearing	208[2]
1989-1986	Legend (C3P4,G3T4)	
Cone/Cup (LH)	XAA32008X-Y32008X
Bearing Assy (RH)	32010X

Input Shaft

1989-1986	Legend (C3P4,G3T4)	
Seal	710157
Kwik Slv (Opt Rpr)	KWK99103
1989-1986	Integra (CG)	
Seal	239146
Kwik Slv (Opt Rpr)	KWK99147

Output Shaft

1989-1986	Legend	
Seal	712551[2]
Kwik Slv (Opt Rpr)	KWK99157[2]
1989-1986	Integra	
Seal Viton	222742[2]
Kwik Slv (Opt Rpr)	KWK99106[2]

POWER STEERING

Pump Shaft

1989-1986		
Seal	221620

CAMSHAFT SEAL

4 Cylinder

1989-1986	Integra RS LS LSS	
Seal	222743

6 Cylinder

1989-1986	Legend	
Seal Viton	713771

CRANKSHAFT FRONT SEAL

4 Cylinder

1989-1986	Integra RS LS LSS	
Seal	710332
Kwik Slv (Opt Rpr)	KWK99123

6 Cylinder

1989-1986	Legend	
Seal	1181
Kwik Slv (Opt Rpr)	KWK99162

Bearings and Seals

Mfg./Year Model & Location Part No Mfg./Year Model & Location Part No

ACURA - FRONT DRIVE - Integra, Legend (cont.)

CRANKSHAFT REAR SEAL

4 Cylinder

1989-1986 Integra
Seal 228015
Kwik Slv (Opt Rpr)KWK99315

CRANKSHAFT REAR SEAL

6 Cylinder

1989-1986 Legend
Seal Viton 228008
Kwik Slv (Opt Rpr)KWK99315

ALFA ROMEO - 164

FRONT WHEEL

1989-1959 Spider
Seal (inner) 224100[2]
Bearing Assy (inner) 30206M[2]
Bearing Assy (outer) 32303[2]
1989-1987 Milano
Seal (inner) 1973[2]
Set (inner)SET8
Set (outer)SET2
1986-1981 GTV6
Seal (inner) 1973[2]
Set (inner)SET8
Set (outer)SET2
1981-1974 Veloce - GT, Spider
Bearing Assy (inner) 30206M[2]
Bearing Assy (outer) 32304M[2]
1981-1972 GTV
Bearing Assy (inner) 30206M[2]
Bearing Assy (outer) 30203[2]
1979-1977 Sport Sedan
Seal (inner) 494117[2]
Set (inner)SET1
Set (outer)SET1
1976 Alfetta Series
Set (inner)SET8
Set (outer)SET2
1975 Alfetta Series
Set (inner)SET4
Set (outer)SET1
1974 2000 Berlina
Bearing Assy (inner) 30206M[2]
Bearing Assy (outer) 32303[2]
1974-1970 Berlina
Set (inner)SET8
Set (outer)SET1
1971-1970 1750 Berlina
Bearing Assy (inner) 30206M[2]
Bearing Assy (outer) 32303[2]
1969-1962 Giulia
Seal (inner) 224100[2]
Bearing Assy (inner) 30206M[2]
Bearing Assy (outer) 32303[2]
1968-1963 2600
Bearing Assy (inner) 30207M[2]
Bearing Assy (outer) 32304M[2]
1966-1958 2000
Bearing Assy (inner) 30207M[2]
Bearing Assy (outer) 32304M[2]
1962-1957 Giulietta: production from
12/1957 on
Bearing Assy (inner) 30305M[2]
Bearing Assy (outer) 32303[2]

FRONT WHEEL (cont.)

1957-1955 Giulietta: production thru 11/1957
Bearing Assy (inner) 30305M[2]
Bearing Assy (outer) 30303[2]

REAR WHEEL

1989-1976 Spider
Seal 223035[2]
Bearing 88107[2]
1989-1987 Milano
Seal 224210[2]
Bearing 513106[2]
1986-1981 GTV 6
Seal 224210[2]
Bearing 513106[2]
1981-1972 GTV
Seal 223035[2]
Bearing 88107[2]
1979-1977 Sport Sedan
Seal 224210[2]
Bearing 513102[2]
1979-1977 Sprint Veloce
Seal 224210[2]
Bearing 513102[2]
1976-1975 Alfetta Series
Seal 224210[2]
Bearing 513102[2]
1974-1970 2000 Berlina
Seal 223035[2]
Bearing 88107[2]
1970-1966 Spider
Bearing 88508[2]
1969-1962 Giulia
Bearing 88508[2]
1965-1958 1900 Series
Bearing 88508[2]
1962-1955 Giulietta
Bearing 88508[2]

REAR AXLE

Differential

1989 Spider 2000, Graduate,
Quadrifoglio, Veloce
Cone/Cup 28150-28300[2]
1989-1987 Milano
SetSET45
1988-1976 Spider 2000, Graduate,
Quadrifoglio, Veloce
SetSET45
1986-1981 GTV6
SetSET37

ALFA ROMEO - 164 (cont.)

REAR AXLE (cont.)

Differential (cont.)

1981-1972	GTV / GT Veloce	
Set	SET45
1976-1975	Alfetta Coupe, spider	
Cone/Cup	LM29749-LM29710[2]
1974-1970	Berlina	
Set	SET45

Pinion

1989-1987	Milano	
Cone/Cup (inner)	HM89446-HM89410
Cone/Cup (outer)	M88048-M88010
1988-1976	2000 Spider, Berlina, Graduate, Quadrifoglio	
Cone/Cup (inner)	HM89446-HM89410
Cone/Cup (outer)	M88048-M88010
1986-1983	GTV6	
Cone/Cup (inner)	HM801346X-HM801310
Cone/Cup (outer)	HM89446-HM89410
1964-1955	Giulietta Series	
Bearing Assy (inner)	30305M

3-SPEED AUTOMATIC TRANSMISSION

Torque Converter

1983-1980	ZF3HP22	
Seal	224010
Kwik Slv (Opt Rpr)	KWK99157

Rear Seal/Ext. Housing

1983-1980	ZF3HP22	
Seal	3459S
Bearing	107WB

4-SPEED AUTOMATIC TRANSMISSION

Torque Converter

1989-1984	ZF4HP22	
Seal	224052
Kwik Slv (Opt Rpr)	KWK99157

Rear Seal/Ext. Housing

1989-1984	ZF4HP22	
Seal	3459S

CLUTCH

Release Bearing

1989-1976	Spider 2000	
Bearing Assy	614100
1989-1975	2000	
Bearing Assy	614100
1989-1987	Milano	
Bearing Assy	614102
1986-1981	GTV6	
Bearing Assy	614102
1985-1976	Spider Veloce	
Bearing Assy	614100
1979-1977	Sport Sedan	
Bearing Assy	614101

CLUTCH (cont.)

Release Bearing (cont.)

1977-1976	Alfetta Coupe, spider	
Bearing Assy	614101

ALTERNATOR

1987-1965	Bosch 35 amp	
Bearing (rear end)	201S
1987-1965	Bosch 45 amp	
Bearing (drive end)	203S
Bearing (rear end)	201S
1987-1965	Bosch 55, 65 amp	
Bearing (drive end)	203S
1977-1975	Marchal	
Bearing (drive end)	203FF
Bearing (rear end)	200CC

GENERATOR

1967-1959	Marelli DN44AE	
Bearing (drive end)	202AG
Bearing (rear end)	201AB
1962-1959	Marelli DN59C	
Bearing (drive end)	202FF
Bearing (rear end)	201CC
1962-1959	Bosch	
Bearing (drive end)	202AG

CRANKSHAFT REAR SEAL

4 Cylinder

1989-1980	1962cc/2.0L	
Seal	228480
Kwik Slv (Opt Rpr)	KWK99328

6 Cylinder

1989-1981	2492cc/2.5L, 2959cc/3.0L	
Seal	228480
Kwik Slv (Opt Rpr)	KWK99328

TIMING COVER

4 Cylinder

1989-1980	1962cc/2.0L	
Seal	223520
Kwik Slv (Opt Rpr)	KWK99139

6 Cylinder

1989-1981	2492cc/2.5L, 2959cc/3.0L	
Seal	223520
Kwik Slv (Opt Rpr)	KWK99139

Bearings and Seals

Mfg./Year Model & Location Part No Mfg./Year Model & Location Part No

AMERICAN MOTORS - Ambassador, AMX, Classic, Concord, Gremlin, Hornet, Javelin, Marlin, Matador, Pacer, Rambler, Rambler American, Rebel, SCRambler, Spirit

FRONT WHEEL

1983-1979	
Seal (inner)	7022S[2]
Set (inner)	SET6
Set (outer)	SET2
1978-1974	with Bendix disc brakes
Seal (inner)	5121[2]
Set (inner)	SET17
Set (outer)	SET16
1976-1957	exc. Bendix disc brakes
Seal (inner)	7022S[2]
Set (inner)	SET6
Set (outer)	SET2

REAR WHEEL

1983-1972	4-cyl
Seal (inner)	7686S[2]
Seal (outer)	8429S[2]
Set (outer)	SET6
1983-1971	6-cyl
Seal (inner)	7686S[2]
Seal (outer)	8429S[2]
Set (outer)	SET6
1979-1966	8-cyl
Seal (inner)	7687S[2]
Seal (outer)	8549S[2]
Set (outer)	SET5
1978-1970	Matador, Rebel
Seal (inner)	7687S[2]
Seal (outer)	8549S[2]
Set (outer)	SET5
1974-1965	Ambassador
Seal (inner)	7687S[2]
Seal (outer)	8549S[2]
Set (outer)	SET5
1971-1966	6-cylinder: disc brakes
Seal (inner)	7687S[2]
Seal (outer)	8549S[2]
Set (outer)	SET5
1971-1966	6-cylinder: drum brakes
Seal (inner)	7686S[2]
Seal (outer)	8429S[2]
Set (outer)	SET6
1969-1967	Matador, Rebel: 6-cylinder: disc brakes
Seal (inner)	7687S[2]
Seal (outer)	8549S[2]
Set (outer)	SET5
1969-1967	Rebel: 6-cylinder: drum brakes
Seal (inner)	7686S[2]
Seal (outer)	8429S[2]
Set (outer)	SET6
1969-1967	Matador, Rebel, SCRambler: 8-cylinder
Seal (inner)	7687S[2]
Seal (outer)	8549S[2]
Set (outer)	SET5

REAR WHEEL (cont.)

1969-1967	Matador, Rebel: Station Wagon
Seal (inner)	7687S[2]
Seal (outer)	8549S[2]
Set (outer)	SET5
1966-1965	Classic: 8-cyl
Seal (inner)	7687S[2]
Seal (outer)	8549S[2]
Set (outer)	SET5
1966-1962	Classic: 6-cyl
Seal (inner)	7686S[2]
Seal (outer)	8429S[2]
Set (outer)	SET6
1966-1958	Rambler, Rebel
Seal (inner)	7686S[2]
Seal (outer)	340356[2]
Set (outer)	SET6
1965-1962	
Seal (inner)	7686S[2]
Seal (outer)	8429S[2]
Set (outer)	SET6
1964-1963	Classic: 8-cyl
Seal	8549S[2]
Set	SET5
1964-1958	Ambassador, Marlin
Set	SET5
1962-1958	Classic: 8-cyl
Set	SET5
1961-1958	
Seal (inner)	7686S[2]
Seal (outer)	340356[2]
Set (outer)	SET6
1961-1957	Classic: 6-cyl
Seal (inner)	7686S[2]
Seal (outer)	340356[2]
Set (outer)	SET6
1958-1957	Rambler, Rebel: irregular housing cover
Seal (inner)	7686S[2]
Seal (outer)	340356[2]
Set (outer)	SET6
1957	Rambler, Rebel: half-round housing cover
Seal (inner)	340356[2]
Cone/Cup (inner)	15126-15245[2]
Seal (outer)	7686S[2]
Set (outer)	SET6

REAR AXLE

Differential Rebuild Kit

1983-1968	7.506" ring gear
Kit	DRK335J
1978-1965	8.875" ring gear
Kit	DRK311J

AMERICAN MOTORS - Ambassador, AMX, Classic, Concord, Gremlin, Hornet, Javelin, Marlin, Matador, Pacer, Rambler, Rambler American, Rebel, SCRambler, Spirit (cont.)

REAR AXLE

Differential

1983-1964	7.506" ring gear	
Cone/Cup	LM501349-LM501314[2]
1979-1964	8.875" ring gear	
Set	SET36[2]
1964-1958	Spicer 53	
Cone/Cup	25590-25523[2]
1963-1960	Spicer 27A	
Cone/Cup	LM501349-LM501311[2]
1959-1958	Spicer 23	
Cone/Cup	24780-24721[2]
1959-1957	Spicer 41, 44	
Cone/Cup	25577-25523[2]

Pinion

1985-1976	6-cylinder	
Cone/Cup (inner)	HM88648-HM88610
Cone/Cup (outer)	M86649-M86610
1985-1976	4-cylinder	
Cone/Cup (inner)	M86648-M86610
Cone/Cup (outer)	M86649-M86610
1975	6-cylinder: exc. 2.87 gear	
Cone/Cup (inner)	HM88649-HM88610
Cone/Cup (outer)	M86649-M86610
1975	6-cylinder: 2.87 gear	
Cone/Cup (inner)	M802048-M802011
Cone/Cup (outer)	M88048-M88010
1974-1966	6-cylinder: exc. H/D	
Cone/Cup (inner)	HM88649-HM88610
Cone/Cup (outer)	M86649-M86610
1974-1965	Ambassador, Marlin	
Cone/Cup (inner)	M88048-M88010
Cone/Cup (outer)	M802048-M802011
1971-1970	6-cylinder: Heavy Duty	
Cone/Cup (inner)	M802048-M802011
Cone/Cup (outer)	M88048-M88010
1967	Matador, Rebel	
Cone/Cup (inner)	M802048-M802011
Cone/Cup (outer)	M88048-M88010
1967-1966	8-cylinder	
Cone/Cup (inner)	M802048-M802011
Cone/Cup (outer)	M88048-M88010
1966-1965	Rambler 6, Classic, Rebel: 6-cylinder 8-cylinder: H/D axle	
Cone/Cup (inner)	M802048-M802011
Cone/Cup (outer)	M88048-M88010
1964-1961	Rambler, Classic, Rebel: 8-cyl	
Cone/Cup (inner)	M802048-M802011
Cone/Cup (outer)	31590-31520
1964-1961	Rebel: 6-cylinder 196, 199: std. axle	
Cone/Cup (inner)	M802048-M802011
Cone/Cup (outer)	M86649-M86610
1964-1960	Classic 6, Rambler 6	
Cone/Cup (inner)	HM88649-HM88610
Cone/Cup (outer)	M86649-M86610
1964-1958	Ambassador, Marlin	
Cone/Cup (outer)	3877-3820

CLUTCH

Release Bearing

1983	4-cylinder: late (AMC engine)	
Bearing Assy	614030
1983-1980	4-cylinder: early (GM engine)	
Bearing Assy	614017
1983-1977	6-cyl	
Bearing Assy	614038
1983-1974	8-cylinder: diaphragm clutch	
Bearing Assy	614038
1983-1974	8-cylinder: 3-finger clutch	
Bearing Assy	614034
1979-1977	4-cylinder: 2.0	
Bearing Assy	614013
1976-1974	6-cylinder: diaphragm clutch	
Bearing Assy	614038
1976-1974	6-cylinder: 3-finger clutch	
Bearing Assy	614034
1976-1973	6-cylinder: trans 13-02-000-066 thru 078	
Bearing Assy	R1605C
1976-1973	8-cylinder: trans 13-02-000-066 thru 078	
Bearing Assy	R1605C
1974-1973	Javelin	
Bearing Assy	R1605C
1973-1970	6-cyl	
Bearing Assy	R1605C
1973-1970	8-cylinder	
Bearing Assy	R1605C
1973-1966	6-cylinder: exc. H/D	
Bearing Assy	R1605C
1969-1967	6-cylinder: H/D	
Bearing Assy	RB01658C
1969-1967	8-cylinder	
Bearing Assy	RB01658C
1966	8-cylinder	
Bearing Assy	R1625C
1966-1965	6-cylinder: 199 and H/D	
Bearing Assy	R1625C
1965	6-cylinder: exc. 199 and H/D	
Bearing Assy	R1605C
1964-1960	6-cylinder: exc. .375" flywheel	
Bearing Only	NH1752C
1964-1960	6-cylinder: .375" flywheel	
Bearing Assy	R1605C
1960-1959	6-cylinder: Rambler with H/D clutch	
Bearing Only	NH1752C
1960-1957	8-cylinder	
Bearing Only	NH1752C
1959-1958	6-cyl	
Bearing Only	N1605C

ALTERNATOR

1988-1983	Delco 56 amp	
Bearing (drive end)	203F
Bearing (rear end)	MNJ471S

Bearings and Seals

Mfg./Year Model & Location Part No Mfg./Year Model & Location Part No

AMERICAN MOTORS - Ambassador, AMX, Classic, Concord, Gremlin, Hornet, Javelin, Marlin, Matador, Pacer, Rambler, Rambler American, Rebel, SCRambler, Spirit (cont.)

ALTERNATOR (cont.)

1988-1983	Delco 66 amp	
	Bearing (drive end)	203F
	Bearing (rear end)	MNJ471S
1988-1983	Delco 78 amp	
	Bearing (drive end)	203F
	Bearing (rear end)	MNJ471S
1982-1978	Delco 63 amp	
	Bearing (drive end)	203S
	Bearing (rear end)	MNJ471S
1982-1978	Delco 70 amp	
	Bearing (drive end)	203S
	Bearing (rear end)	MNJ471S
1980-1979	Bosch	
	Bearing (drive end)	203S
	Bearing (rear end)	201S
1978-1975	Delco 37 amp	
	Bearing (drive end)	203S
	Bearing (rear end)	200CC
1978-1975	Delco 42 amp	
	Bearing (drive end)	203S
	Bearing (rear end)	200CC
1978-1975	Delco 55 amp	
	Bearing (drive end)	203S
	Bearing (rear end)	200CC
1978-1973	Motorcraft	
	Bearing (drive end)	203FF
	Bearing (rear end)	MNJ471S
1975-1968	Motorola 35, 37, 51, 55 amp	
	Bearing (drive end)	203FF
	Bearing (rear end)	200CC
1975-1968	Motorola 62 amp	
	Bearing (drive end)	203FF
	Bearing (rear end)	200CC
1974-1963	Leece-Neville 35 & 40 amp	
	Bearing (drive end)	203FF
	Bearing (rear end)	MNJ471S
1972-1965	AMC	
	Bearing (drive end)	203FF
	Bearing (rear end)	200CC
1964-1963	Delco	
	Bearing (drive end)	203AB
1961-1960	all	
	Bearing (drive end)	203FF
	Bearing (rear end)	MNJ471S

GENERATOR

1960-1958	Heavy Duty	
	Bearing (drive end)	204
	Bearing (rear end)	303AB
1960-1945	Standard	
	Bearing (drive end)	203AB
	Bearing (rear end)	203AB
1957-1956	Heavy Duty	
	Bearing (drive end)	204
	Bearing (rear end)	203AB
1955-1954	Heavy Duty	
	Bearing (rear end)	204

POWER STEERING

Pump Shaft

1978-1958	Manual Steering Worm Shaft	
	Bearing	8537

CRANKSHAFT REAR SEAL

4 Cylinder

1982-1980	151/2.5L	
	Seal	3698

6 Cylinder

1983-1958	195/3.2L, 199/3.3, 232/3.8, 258/4.2	
	Seal	5111S

8 Cylinder

1978-1966	290/4.7, 304/5.0, 343/5.6, 360/5.9, 390/6.4, 401/6.6	
	Seal Split	5112S

TIMING COVER

4 Cylinder

1982-1980	151/2.5L	
	Seal	9845
	Kwik Slv (Opt Rpr)	KWK99176
	Harmonic Balancer	
	Sleeves Opt.	88176

6 Cylinder

1983-1958	195/3.2L, 199/3.3, 232/3.8, 258/4.2	
	Seal	321460
	Kwik Slv (Opt Rpr)	KWK99179
	Harmonic Balancer	
	Sleeves Opt.	88179

8 Cylinder

1978-1966	290/4.7, 304/5.0, 343/5.6, 360/5.9, 390/6.4, 401/6.6	
	Seal	472341
	Kwik Slv (Opt Rpr)	KWK99199
	Harmonic Balancer	
	Sleeves Opt.	88199
1966-1958	287/4.7L, 327/5.3L	
	Seal	481195
	Kwik Slv (Opt Rpr)	KWK99193

AMERICAN MOTORS - Eagle, SX/4

FRONT WHEEL

1988-1980

Seal (inner)	3942[2]
Set (inner)	SET26
Seal (outer)	3553[2]
Set (outer)	SET26

REAR WHEEL

1988-1980

Seal (inner)	7686S[2]
Set (inner)	SET6
Seal (outer)	8429S[2]

4WD FRONT AXLE

Differential Rebuild Kit

1988-1980

Kit	DRK334
-----------	--------

Differential

1988-1980

Cone/Cup	LM501349-LM501314[2]
----------------	----------------------

Pinion

1988-1980

Cone/Cup (inner)	HM88649-HM88610
Cone/Cup (outer)	02872-02820

REAR AXLE

Differential Rebuild Kit

1988-1980

Kit	DRK335J
-----------	---------

Differential

1988-1980

Cone/Cup	LM501349-LM501314[2]
----------------	----------------------

Pinion

1988-1980

Cone/Cup (inner)	HM88648-HM88610
Cone/Cup (outer)	M86649-M86610

INNER AXLE DIFFERENTIAL SUPPORT

1983

Bearing Assy	U298-9A010
--------------------	------------

CLUTCH

Release Bearing

1988-1984 4-cylinder (AMC engine)	
Bearing Assy	614030
1988-1980 6-cyl	
Bearing Assy	614038
1983-1981 4-cylinder (GM engine)	
Bearing Assy	614017

4-SPEED MANUAL TRANSMISSION

Input Shaft

1984-1982 Warner T4

Seal	7412S
Set	SET5

Countershaft

1984-1982 Warner T4

Cyl. Bearing (rear)	5707
Needle Bearing Thrust	NTA1423

Rear Output Shaft

1984-1982 Warner T4: 23-splines

Seal	472439
Cone/Cup	25877-25821
1984-1982 Warner T4: 26-splines	
Seal	2506
Cone/Cup	25877-25821

5-SPEED MANUAL TRANSMISSION

Front Input Shaft

1988-1982 Warner T5

Seal	7412S
Set	SET5

Countershaft

1988-1982 Warner T5

Needle Bearing (front)	DK55836
Cyl. Bearing (rear)	5707
Needle Bearing Thrust	NTA1423

Rear Output Shaft

1988-1982 Warner T5: 23-spline

Seal	472439
Cone/Cup	25877-25821
1988-1982 Warner T5: 26-spline	
Seal	2506
Cone/Cup	25877-25821

CRANKSHAFT REAR SEAL

4 Cylinder

1984-1983 150/2.5L	
Seal Viton	716445
Kwik Slv (Opt Rpr)	KWK99294
1983-1981 151/2.5L	
Seal	3698

6 Cylinder

1988-1980 258/4.2L

Seal	5111S
------------	-------

TIMING COVER

4 Cylinder

1984-1983 150/2.5L

Seal	321460
Kwik Slv (Opt Rpr)	KWK99179

Bearings and Seals

Mfg./Year Model & Location Part No Mfg./Year Model & Location Part No

AMERICAN MOTORS - Eagle, SX/4 (cont.)

TIMING COVER (cont.)

4 Cylinder (cont.)

1983-1981 151/2.5L
 Seal 9845
 Kwik Slv (Opt Rpr)KWK99176

6 Cylinder

1988-1980 258/4.2L
 Seal 321460
 Kwik Slv (Opt Rpr)KWK99179

AM GENERAL TRUCK - Humvee

FRONT WHEEL

2WD

1989-1980
 Seal (inner)8430S[2]
 Set (inner)SET45
 Set (outer)SET45

4WD

1989-1980
 Cone/Cup (inner) 3490-3420[2]
 Cone/Cup (outer)3780-3720[2]

REAR AXLE

Differential

1984-1980 Dana/Spicer 44-3 axle
 Cone/Cup 25590-25523[2]

REAR AXLE

Pinion

1984-1980 Spicer 44-3 axle
 Cone/Cup (inner) 31594-31520
 Seal (outer)5778
 Cone/Cup (outer) 02872-02820

ASTON MARTIN

FRONT WHEEL

1989-1988 Virage
 Set (inner)SET13
 Set (outer)SET8
1989-1976 Lagonda
 Set (inner)SET13
 Set (outer)SET12
1989-1970 Volante
 Cone/Cup (inner) 14138A-14276[2]
 Cone/Cup (outer) 09067-09195[2]
1989-1970 V8
 Cone/Cup (inner) 14138A-14276[2]
 Cone/Cup (outer) 09067-09195[2]
1979-1970 Vantage
 Cone/Cup (inner) 14138A-14276[2]
 Cone/Cup (outer) 09067-09195[2]
1973-1967 DBS
 Cone/Cup (inner) 14138A-14276[2]
 Cone/Cup (outer) 09067-09195[2]
1969-1959 DB4, DB5, DB6
 Cone/Cup (inner) 14138A-14276[2]
 Cone/Cup (outer) 09067-09195[2]

REAR WHEEL

1989-1988 Virage
 SetSET37
1989-1976 Lagonda
 SetSET37
1989-1970 Volante
 SetSET37
1989-1970 V8
 SetSET37
1989-1970 Vantage
 SetSET37
1973-1967 DBS
 SetSET37
1969-1966 DB6
 Cone/Cup 25877-25820[2]
1965-1964 DB5 Mk. III
 Cone/Cup 25877-25820[2]
1963-1961 DB4 Mk. III: production from
 10/1961 on
 Cone/Cup (outer) 24780-24721[2]
1961-1959 DB4: production thru 10/1961
 Cone/Cup 25877-25821[2]

ASTON MARTIN (cont.)

REAR AXLE

Axle Shaft

1989-1976 DBS, Lagonda, Vantage, Virage,
Volante, V8
Set SET17

Differential

1989-1976 DBS, Lagonda, Vantage, Virage,
Volante, V8
Cone/Cup 25577-25523[2]

Pinion

1989-1973 Vantage
Cone/Cup (inner) HM89446-HM89410
Cone/Cup (outer) M88043-M88010
1989-1976 Lagonda
Cone/Cup (inner) HM89446-HM89410
Cone/Cup (outer) M88043-M88010
1989-1973 Volante
Cone/Cup (inner) HM89446-HM89410
Cone/Cup (outer) M88043-M88010
1989-1973 V8
Cone/Cup (inner) HM89446-HM89410
Cone/Cup (outer) M88043-M88010
1973-1964 DB, DBS
Cone/Cup (inner) HM89446-HM89410
Cone/Cup (outer) M88043-M88010

3-SPEED AUTOMATIC TRANSMISSION

Torque Converter

1989-1976 Chrysler A727
Seal 331227H
Kwik Slv (Opt Rpr) KWK99187

3-SPEED AUTOMATIC TRANSMISSION

Rear Seal/Ext. Housing

1989-1976 Chrysler A727
Seal 7300S
Bearing 207XLO
Seal Kit 5206⁶⁴

MANUAL STEERING

Worm Shaft

1963-1960
Set SET2

AUDI - 80 80 Quattro 90 90 Quattro 100 100 Quattro 200 200 Quattro

FRONT WHEEL

1989-1988 80 Quattro
Bearing 510020[2]
1989-1988 80
Set SET39
1989 100: automatic trans
Bearing 513242[2]
1989 100: manual trans
Bearing 510020[2]
1989 200 Turbo: automatic trans
Bearing 513242[2]
1989 200 Turbo: manual trans
Bearing 510020[2]
1989-1988 90
Set SET39
1989-1988 90 Quattro
Bearing 510020[2]
1977-1967 100
Seal 225870[2]
Cone/Cup LM300849-LM300811[2]

REAR WHEEL

1989-1988 90: disc brakes
Seal (inner) 1962[2]
Set (inner) SET8
Set (outer) SET2
1989-1988 90 Quattro
Bearing 510020[2]
1989 100
Seal (inner) 1962[2]
Set (inner) SET8
Set (outer) SET2
1989 100 Quattro
Bearing 510019[2]
1989 80 Quattro
Bearing 510020[2]
1989-1988 80: disc brakes
Seal (inner) 1962[2]
Set (inner) SET8
Set (outer) SET2
1989 200 Turbo Quattro
Bearing 510019[2]

Bearings and Seals

Mfg./Year Model & Location Part No Mfg./Year Model & Location Part No

AUDI - 80 80 Quattro 90 90 Quattro 100 100 Quattro 200 200 Quattro (cont.)

REAR WHEEL (cont.)

1989	200 Turbo	
	Seal (inner)	1962[2]
	Set (inner)	SET8
	Set (outer)	SET2
1989-1988	80: drum brakes	
	Seal (inner)	1962[2]
	Set (inner)	SET8
	Set (outer)	SET1
1989-1988	90: drum brakes	
	Seal (inner)	1962[2]
	Set (inner)	SET8
	Set (outer)	SET1
1988	80 Quattro: thru chassis #89J350000	
	Bearing	513106[2]
1988	80 Quattro: from chassis #89J350001 on	
	Bearing	510020[2]
1988	90 Quattro: thru chassis #89J350000	
	Bearing	513106[2]
1988	90 Quattro: from chassis #89J350001 on	
	Bearing	510020[2]
1977	100	
	Seal (inner)	1165[2]
	Set (inner)	SET8
	Set (outer)	SET1
1976-1975	100: from chassis #0101217 on	
	Seal (inner)	1165[2]
	Set (inner)	SET8
	Set (outer)	SET1
1975-1969	100: thru chassis #0101216	
	Seal (inner)	1966[2]
	Set (inner)	SET8
	Set (outer)	SET1

FRONT AXLE Differential

1989	100 Quattro	
	Set (LH)	SET45
	Cone/Cup (RH)	LM300849-LM300811
1989-1988	90 Quattro	
	Set (LH)	SET45
	Cone/Cup (RH)	LM300849-LM300811
1989-1988	80 Quattro	
	Set (LH)	SET45
	Cone/Cup (RH)	LM300849-LM300811
1989	200 Turbo	
	Set (LH)	SET45
	Cone/Cup (RH)	LM300849-LM300811
1989	200 Turbo Quattro	
	Set (LH)	SET45
	Cone/Cup (RH)	LM300849-LM300811
1989-1988	80: automatic trans	
	Cone/Cup	LM300849-LM300811[2]
1989-1988	80: manual trans	
	Set (LH)	SET45
	Cone/Cup (RH)	LM300849-LM300811
1989-1988	90: automatic trans	
	Cone/Cup	LM300849-LM300811[2]

FRONT AXLE (cont.)

Differential (cont.)

1977	100LS 5: automatic trans	
	Cone/Cup	LM300849-LM300811[2]
1977	100LS 5: manual trans	
	Set (LH)	SET45
	Cone/Cup (RH)	LM300849-LM300811
1976	100LS: automatic trans	
	Set (LH)	SET45
	Cone/Cup (RH)	LM300849-LM300811
1976	100LS: manual trans	
	Cone/Cup	LM300849-LM300811[2]

Pinion

1989	200 Turbo: automatic trans	
	Cone/Cup (inner)	M86649-M86610
	Cone/Cup (outer)	M86649-M86610
1989-1988	80: manual trans	
	Cone/Cup (inner)	JLM104942A-JLM104914
	Cone/Cup (outer)	HM88644A-HM88615
1989	100: automatic trans	
	Cone/Cup (inner)	M86649-M86610
	Cone/Cup (outer)	M86649-M86610
1989-1988	80: automatic trans	
	Cone/Cup (inner)	M86649-M86610
	Cone/Cup (outer)	M86649-M86610
1989-1988	90: automatic trans	
	Cone/Cup (inner)	M86649-M86610
	Cone/Cup (outer)	M86649-M86610
1977	100LS5 automatic trans	
	Cone/Cup (inner)	M86649-M86610
	Cone/Cup (outer)	M88048-M88010

REAR AXLE

Differential

1989-1982		
	Set (LH)	SET37
	Set (RH)	SET45

Pinion

1989-1982		
	Cone/Cup (inner)	HM801346X-HM801310
	Cone/Cup (outer)	M88048-M88010

CLUTCH

Pilot Bearing

1989-1978	4-cylinder	
	Bushing	PB23
1989-1978	5-cylinder	
	Needle Bearing	F85706
1977-1970	4-cylinder exc. some 1.8 and exc. all 1.9	
	Bushing	PB23
1977-1970	4-cylinder: some 1.8 and all 1.9	
	Needle Bearing	F85706

AUDI - 80 80 Quattro 90 90 Quattro 100 100 Quattro 200 200 Quattro (cont.)

CLUTCH

Release Bearing

1989-1988	90	
	Bearing Assy	614073
1989	100	
	Bearing Assy	614073
1989-1988	80	
	Bearing Assy	614073
1989	200 Turbo	
	Bearing Assy	614073
1977-1974	100 GL, LS	
	Bearing Only	VW1339C
1975-1974	100 Coupe S	
	Bearing Only	VW1006C
1973-1970	100	
	Bearing Only	VW1006C

3-SPEED AUTOMATIC TRANSAXLE

Torque Converter

1989-1976	VW 087, 089	
	Seal	3083
	Kwik Slv (Opt Rpr)	KWK99169
1975-1970	VW 003	
	Seal	3051N
	Kwik Slv (Opt Rpr)	KWK99169

Output Shaft

1989-1970	VW 003, 087, 089	
	Seal	224520[2]
	Kwik Slv (Opt Rpr)	KWK99177[2]

Differential

1989-1970	VW 003, 087	
	Cone/Cup	LM300849-LM300811[2]
1989-1976	VW 089	
	Cone/Cup	LM29749-LM29710[2]

Pinion

1989-1976	VW 087	
	Seal (inner)	1012N
	Cone/Cup (inner)	M86649-M86610
	Seal (outer)	222820
	Cone/Cup (outer)	M88048-M88010
	Kwik Slv (Opt Rpr)	KWK99177
1989-1976	VW 089	
	Seal (inner)	239146
	Cone/Cup (inner)	M86649-M86610
	Seal (outer)	222535
	Cone/Cup (outer)	M86649-M86610
	Kwik Slv (Opt Rpr)	KWK99098
1975-1970	VW 003	
	Seal (inner)	239146
	Cone/Cup (inner)	M86649-M86610
	Seal (outer)	223010
	Cone/Cup (outer)	M86649-M86610
	Kwik Slv (Opt Rpr)	KWK99114

4-SPEED MANUAL TRANSAXLE

Differential

1983-1973	VW 014, 088	
	Cone/Cup	LM300849-LM300811[2]
1977-1970	VW 019	
	Bearing Assy	32008XM[2]

Input Shaft

1983-1970	VW 014, 019, 088	
	Seal	222030
	Kwik Slv (Opt Rpr)	KWK99157

Output Shaft

1983-1970	VW 014, 019, 088	
	Seal	224015[2]
	Kwik Slv (Opt Rpr)	KWK99157[2]

5-SPEED MANUAL TRANSAXLE

Differential

1989-1978	VW 016, 01E, 012, 093	
	Set (LH)	SET45
	Cone/Cup (RH)	LM300849-LM300811

Input Shaft

1989-1988	VW 016, 01E, 012, 093	
	Seal	222540
	Kwik Slv (Opt Rpr)	KWK99098

Output Shaft

1989-1978	VW 016, 01E, 012, 093	
	Seal	224520[2]
	Kwik Slv (Opt Rpr)	KWK99177[2]

CRANKSHAFT REAR SEAL

4 Cylinder

1989-1980	1588cc/1.6L, 1715cc/1.7L, 1781cc/1.8L, 1984cc/2.0L	
	Seal	716102
	Kwik Slv (Opt Rpr)	KWK99333

5 Cylinder

1989-1980	1986cc/2.0L, 2144cc/2.1L, 2226cc/2.2L, 2309cc/2.3L	
	Seal	716102
	Kwik Slv (Opt Rpr)	KWK99333

TIMING COVER

4 Cylinder

1989-1980	1588cc/1.6L, 1715cc/1.7L, 1781cc/1.8L, 1984cc/2.0L	
	Seal	3476S
	Kwik Slv (Opt Rpr)	KWK99128

Bearings and Seals

Mfg./Year Model & Location Part No Mfg./Year Model & Location Part No

AUDI - 80 80 Quattro 90 90 Quattro 100 100 Quattro 200 200 Quattro (cont.)

TIMING COVER

5 Cylinder

1989-1980 1986cc/2.0L, 2144cc/2.1L,
2226cc/2.2L, 2309cc/2.3L
Seal Viton 1108
Kwik Slv (Opt Rpr)KWK99139

AUDI - 4000 4000 Quattro 5000 5000 Quattro Coupe Quattro Coupe

FRONT WHEEL

1988-1986 5000 Quattro with 82mm OD
bearing
Bearing 513242[2]
1988-1986 5000 Quattro with 75mm OD
bearing
Bearing 513106[2]
1988-1978 5000 Series
Bearing 513242[2]
1987-1984 4000 Quattro
Set SET39
1987-1981 Coupe
Set SET39
1987-1980 4000 Series
Set SET39

REAR WHEEL

1988-1986 5000 S CS Quattro
Bearing 513242[2]
1988-1978 5000 Series
Seal (inner) 1962[2]
Set (inner) SET8
Set (outer) SET2
1987-1984 4000 Quattro S CS
Bearing 513242[2]
1987-1981 Coupe
Seal (inner) 1962[2]
Set (inner) SET8
Set (outer) SET1
1987-1980 4000 Series
Seal (inner) 1962[2]
Set (inner) SET8
Set (outer) SET1

FRONT AXLE

Pinion

1988-1982 5000CS
Cone/Cup (outer) M88048-M88010
1988-1978 5000 Series: exc. CS: automatic
trans
Cone/Cup (inner) M86649-M86610
Cone/Cup (outer) M88048-M88010
1987-1984 4000CS: manual trans
Cone/Cup (outer) 24780-24720
1987-1978 4000 Series: automatic trans
Cone/Cup (inner) M86649-M86610
Cone/Cup (outer) M86649-M86610
1986-1982 4000 Series: manual trans
Cone/Cup (outer) 24780-24721

REAR AXLE

Differential

1989-1982
Set (LH) SET37
Set (RH) SET45

Pinion

1989-1982
Cone/Cup (inner) HM801346X-HM801310
Cone/Cup (outer) M88048-M88010

CLUTCH

Pilot Bearing

1988-1986 5000 Quattro
Needle Bearing F85706
1988-1977 5000 Series
Needle Bearing F85706
1987-1982 4000 Quattro
Needle Bearing F85706
1987-1981 4000 Series
Needle Bearing F85265
1987-1981 Coupe
Needle Bearing F85706

Release Bearing

1988-1986 5000 Quattro
Bearing Assy 614015
1988-1978 5000 Series
Bearing Assy 614015
1987-1985 Coupe
Bearing Assy 614015
1987-1984 4000 Quattro
Bearing Assy 614015
1987-1981 4000 Series
Bearing Assy 614015

3-SPEED AUTOMATIC TRANSAXLE

Torque Converter

1989-1976 VW 087, 089
Seal 3083
Kwik Slv (Opt Rpr)KWK99169

AUDI - 4000 4000 Quattro 5000 5000 Quattro Coupe Quattro Coupe (cont.)

3-SPEED AUTOMATIC TRANSAXLE

Output Shaft

1989-1970 VW 003, 087, 089
 Seal 224520[2]
 Kwik Slv (Opt Rpr)KWK99177[2]

Differential

1989-1970 VW 003, 087
 Cone/Cup LM300849-LM300811[2]
1989-1976 VW 089
 Cone/Cup LM29749-LM29710[2]

Pinion

1989-1976 VW 087
 Seal (inner) 1012N
 Cone/Cup (inner) M86649-M86610
 Seal (outer) 222820
 Cone/Cup (outer) M88048-M88010
 Kwik Slv (Opt Rpr)KWK99177
1989-1976 VW 089
 Seal (inner) 239146
 Cone/Cup (inner) M86649-M86610
 Seal (outer) 222535
 Cone/Cup (outer) M86649-M86610
 Kwik Slv (Opt Rpr)KWK99098

4-SPEED MANUAL TRANSAXLE

Differential

1983-1980 VW 014, 088
 Cone/Cup LM300849-LM300811[2]

Input Shaft

1983-1970 VW 014, 019, 088
 Seal 222030
 Kwik Slv (Opt Rpr)KWK99157

Output Shaft

1983-1970 VW 014, 019, 088
 Seal 224015[2]
 Kwik Slv (Opt Rpr)KWK99157[2]

5-SPEED MANUAL TRANSAXLE

Input Shaft

1989-1978 VW 016, 01E, 012, 093
 Seal 222540
 Kwik Slv (Opt Rpr)KWK99098
1987-1979 VW 013
 Seal 222030
 Kwik Slv (Opt Rpr)KWK99078

Output Shaft

1989-1978 VW 016, 01E, 012, 093
 Seal 224520[2]
 Kwik Slv (Opt Rpr)KWK99177[2]
1987-1979 VW 013
 Seal 224015[2]
 Kwik Slv (Opt Rpr)KWK99157[2]

CRANKSHAFT REAR SEAL

4 Cylinder

1989-1980 1588cc/1.6L, 1715cc/1.7L,
 1781cc/1.8L, 1984cc/2.0L
 Seal 716102
 Kwik Slv (Opt Rpr)KWK99333

5 Cylinder

1989-1980 1986cc/2.0L, 2144cc/2.1L,
 2226cc/2.2L, 2309cc/2.3L
 Seal 716102
 Kwik Slv (Opt Rpr)KWK99333

TIMING COVER

4 Cylinder

1989-1980 1588cc/1.6L, 1715cc/1.7L,
 1781cc/1.8L, 1984cc/2.0L
 Seal 3476S
 Kwik Slv (Opt Rpr)KWK99128

5 Cylinder

1989-1980 1986cc/2.0L, 2144cc/2.1L,
 2226cc/2.2L, 2309cc/2.3L
 Seal Viton 1108
 Kwik Slv (Opt Rpr)KWK99139

Bearings and Seals

Mfg./Year Model & Location Part No Mfg./Year Model & Location Part No

AUDI - Super 90, Fox Coupe

FRONT WHEEL

1987-1981	Coupe	
Set	SET39
1979-1973	Fox	
Set	SET39
1972-1969	Super 90	
Seal	225870[2]
Cone/Cup	LM300849-LM300811[2]

REAR WHEEL

1986-1982	Coupe	
Seal (inner)	1962[2]
Set (inner)	SET8
Set (outer)	SET1
1979-1973	Fox	
Seal (inner)	1962[2]
Set (inner)	SET8
Set (outer)	SET1
1972-1966	Super 90	
Seal (inner)	1195[2]
Set (inner)	SET8
Set (outer)	SET1

CLUTCH

Pilot Bearing

1989-1978	4-cylinder	
Bushing	PB23
1977-1970	4-cylinder exc. some 1.8 and exc. all 1.9	
Bushing	PB23
1977-1970	4-cylinder: some 1.8 and all 1.9	
Needle Bearing	F85706

Release Bearing

1979-1972	Fox	
Bearing Only	VW1339C
1972-1970	Super 90: from engine #28048714 on	
Bearing Only	VW1339C
1970-1967	Super 90: thru engine #28048713	
Bearing Only	VW1006C

3-SPEED AUTOMATIC TRANSAXLE

Torque Converter

1989-1976	VW 087, 089	
Seal	3083
Kwik Slv (Opt Rpr)	KWK99169
1975-1970	VW 003	
Seal	3051N
Kwik Slv (Opt Rpr)	KWK99169

Output Shaft

1989-1970	VW 003, 087, 089	
Seal	224520[2]
Kwik Slv (Opt Rpr)	KWK99177[2]

3-SPEED AUTOMATIC TRANSAXLE

Differential

1989-1970	VW 003, 087	
Cone/Cup	LM300849-LM300811[2]
1989-1976	VW 089	
Cone/Cup	LM29749-LM29710[2]

Pinion

1989-1976	VW 087	
Seal (inner)	1012N
Cone/Cup (inner)	M86649-M86610
Seal (outer)	222820
Cone/Cup (outer)	M88048-M88010
Kwik Slv (Opt Rpr)	KWK99177
1989-1976	VW 089	
Seal (inner)	239146
Cone/Cup (inner)	M86649-M86610
Seal (outer)	222535
Cone/Cup (outer)	M86649-M86610
Kwik Slv (Opt Rpr)	KWK99098
1975-1970	VW 003	
Seal (inner)	239146
Cone/Cup (inner)	M86649-M86610
Seal (outer)	223010
Cone/Cup (outer)	M86649-M86610
Kwik Slv (Opt Rpr)	KWK99114

4-SPEED MANUAL TRANSAXLE

Differential

1983-1973	VW 014, 088	
Cone/Cup	LM300849-LM300811[2]
1977-1970	VW 019	
Bearing Assy	32008XM[2]

Input Shaft

1983-1970	VW 014, 019, 088	
Seal	222030
Kwik Slv (Opt Rpr)	KWK99157

Output Shaft

1983-1970	VW 014, 019, 088	
Seal	224015[2]
Kwik Slv (Opt Rpr)	KWK99157[2]

5-SPEED MANUAL TRANSAXLE

Differential

1989-1978	VW 016, 01E, 012, 093	
Set (LH)	SET45
Cone/Cup (RH)	LM300849-LM300811
1987-1979	VW 013	
Cone/Cup	LM300849-LM300811[2]

Input Shaft

1989-1978	VW 016, 01E, 012, 093	
Seal	222540
Kwik Slv (Opt Rpr)	KWK99098
1987-1979	VW 013	
Seal	222030
Kwik Slv (Opt Rpr)	KWK99078

AUDI - Super 90, Fox Coupe (cont.)

5-SPEED MANUAL TRANSAXLE

Output Shaft

1989-1978	VW 016, 01E, 012, 093	
Seal	224520[2]	
Kwik Slv (Opt Rpr)	KWK99177[2]	
1987-1979	VW 013	
Seal	224015[2]	
Kwik Slv (Opt Rpr)	KWK99157[2]	

CRANKSHAFT REAR SEAL

4 Cylinder

1979-1973	1471cc/1.5L; 1588cc/1.6L	
Seal	716102	
Kwik Slv (Opt Rpr)	KWK99333	
1972-1969	1781cc/1.8L	
Seal Viton	710205	

5 Cylinder

1989-1980	1986cc/2.0L, 2144cc/2.1L, 2226cc/2.2L, 2309cc/2.3L	
Seal	716102	
Kwik Slv (Opt Rpr)	KWK99333	

TIMING COVER

4 Cylinder

1979-1973	1471cc/1.5L; 1588cc/1.6L	
Seal	3476S	
Kwik Slv (Opt Rpr)	KWK99128	
1972-1969	1781cc/1.8L	
Seal Viton	716484	
Kwik Slv (Opt Rpr)	KWK99189	

5 Cylinder

1989-1980	1986cc/2.0L, 2144cc/2.1L, 2226cc/2.2L, 2309cc/2.3L	
Seal Viton	1108	
Kwik Slv (Opt Rpr)	KWK99139	

AUSTIN

FRONT WHEEL

1975-1972	Marina	
Seal (inner)	1966[2]	
Set (inner)	SET4	
Set (outer)	SET1	
1975-1965	1800	
Set (inner)	SET5	
Set (outer)	SET5	
1971-1968	America	
Seal (inner)	224820[2]	
Set (inner)	SET4	
Set (outer)	SET1	
1968-1958	Gypsy 4x4	
Cone/Cup (inner)	18790-18720[2]	
Cone/Cup (outer)	18690-18620[2]	
1967-1954	A-7 thru 135: ball bearing	
Bearing (inner)	7205[2]	
Bearing (outer)	7303[2]	
1967-1954	A-7 thru 135: roller bearing conversion	
Bearing Assy (inner)	30205M[2] ²¹	
Bearing Assy (outer)	30303[2]	
1967-1954	Farina: ball bearing	
Bearing (inner)	7205[2]	
Bearing (outer)	7303[2]	
1967-1954	Farina: roller bearing conversion	
Bearing Assy (inner)	30205M[2] ²¹	
Bearing Assy (outer)	30303[2]	

CLUTCH

Pilot Bearing

1975-1965	1800, 2200	
Bearing	307TB	

Release Bearing

1980-1973	Marina	
Bearing Only	TR1716 ³⁰	
1971-1968	America	
Bearing Assy	614104 ³⁰	
1967-1959	Mini Cooper, S	
Bearing Assy	614104 ³⁰	
1964-1959	850	
Bearing Assy	614104 ³⁰	

[] Indicates Quantity Required; Set Components Listed Inside Rear Cover;

²¹ Tapered bearing conv.: Discard spacer, replace 1/8" washer w/1/16" washer. If rubber seal, machine off 1/16", press fit flush w/hub. ³⁰ Ball bearing style release bearing replaces original style carbon bearing

Bearings and Seals

Mfg./Year	Model & Location	Part No	Mfg./Year	Model & Location	Part No
-----------	------------------	---------	-----------	------------------	---------

AUSTIN HEALEY

FRONT WHEEL

1971-1958	Sprite: ball bearing	
	Seal (inner)	471192[2]
	Bearing (inner)	7205[2]
	Bearing (outer)	7303[2]
1971-1958	Sprite: roller bearing conversion	
	Seal (inner)	471192[2]
	Bearing Assy (inner)	30205M[2] ²¹
	Bearing Assy (outer)	30303[2]
1967-1955	100: wire wheels	
	Set (inner)	SET6
	Set (outer)	SET2
1967-1955	3000: wire wheels	
	Set (inner)	SET6
	Set (outer)	SET2

REAR WHEEL

1970-1958	Sprite	
	Seal	472164[2]
	Bearing	207[2]
1967-1959	3000, 3000/6	
	Bearing	209L[2]

REAR WHEEL (cont.)

1967-1955	100, 100/6	
	Bearing	209L[2]

CLUTCH

Release Bearing

1972-1966	Sprite Mk. IV	
	Bearing Only	AU1715C ³⁰
1968-1964	3000 Mk. III	
	Bearing Only	MG1716 ³⁰
1963-1959	3000 Mk. II to engine #4898	
	Bearing Only	MG1716 ³⁰

AVANTI II

FRONT WHEEL

1989	all	
	Seal (inner)	205017[2]
	Set (inner)	SET6
	Set (outer)	SET3
1988-1987	all	
	Seal (inner)	205017[2]
	Set (inner)	SET6
	Set (outer)	SET34
1986-1965	all	
	Seal (inner)	205017[2]
	Set (inner)	SET6
	Set (outer)	SET2

REAR WHEEL

1989-1987		
	Seal	8660S[2]
	Cyl. Bearing	5707[2]
	Kit	TRP1563TAV[2] ¹⁹
1986-1976		
	Seal	2689S[2]
	Set	SET10

REAR AXLE

Differential

1988-1976		
	Cone/Cup	25577-25523[2]

REAR AXLE

Pinion

1989-1987	to 1990RC	
	Cone/Cup (inner)	HM89249-HM89210
	Seal (outer)	8610
	Cone/Cup (outer)	M86649-M86610
1986-1976		
	Cone/Cup (inner)	31594-31520
	Seal (outer)	5778
	Cone/Cup (outer)	02872-02820

3-SPEED AUTOMATIC TRANSMISSION

Torque Converter

1986-1982	GMC THM200-4R	
	Seal	3227
	Kwik Slv (Opt Rpr)	KWK99174
1981-1965	GMC THM350	
	Seal	6712NA
	Kwik Slv (Opt Rpr)	KWK99187
1979-1965	GMC THM400	
	Seal	6712NA
	Kwik Slv (Opt Rpr)	KWK99187

Rear Seal/Ext. Housing

1986-1980	GMC THM200-4R	
	Seal	9613S
	Seal Kit	5200 ⁶⁴
1986-1971	GMC THM350	
	Seal	9613S
	Seal Kit	5200 ⁶⁴
1970-1965	GMC THM400 (1.687" Shaft)	
	Seal	7038SA
	Seal Kit	5205 ⁶⁴

16 [] Indicates Quantity Required; Set Components Listed Inside Rear Cover;

¹⁹ Opt. Axle Repair Bearing. Replaces O.E. bearing & seal. ²¹ Tapered bearing conv.: Discard spacer, replace 1/8" washer w/1/16" washer. If rubber seal, machine off 1/16", press fit flush w/hub. ³⁰ Ball bearing style release bearing replaces original style carbon bearing ⁶⁴ Opt. Seal and Bushing Kit

AVANTI II (cont.)

3-SPEED AUTOMATIC TRANSMISSION (cont.)

Rear Seal/Ext. Housing (cont.)

1970-1965	GMC THM400 (1.890" Shaft)	
Seal	9449
Seal Kit	5208 ⁶⁴

Selector Shaft Seal/Man. Shaft

1986-1965	GMC THM350	
Seal	8792S
1986-1965	GMC THM200-4R	
Seal	8792S

CRANKSHAFT REAR SEAL

8 Cylinder

1989-1979	305/5.0L	
Seal Viton	4359V
Seal PTFE H/D Opt.	5274A
Kwik Slv (Opt Rpr)	KWK99364
1985-1980	305/5.0L	
Seal	5092

TIMING COVER

8 Cylinder

1989-1965	305/5.0L, 350/5.7L	
Seal	9845
Kwik Slv (Opt Rpr)	KWK99176

BENTLEY - see also ROLLS ROYCE - Continental, Corniche, Eight, Mulsanne, Turbo R, T2

FRONT WHEEL

1989-1978		
Cone/Cup (inner)	LM29749-LM29710[2]
Set (outer)	SET4

REAR WHEEL

1989-1978		
Cone/Cup (inner)	18790-18720[2]
Cone/Cup (outer)	18690-18620[2]

REAR AXLE

Differential

1989-1978		
Cone/Cup (LH)	25590-25520
Cone/Cup (RH)	368A-362A

REAR AXLE

Pinion

1989-1978		
Cone/Cup (inner)	HM903249-HM903210
Cone/Cup (outer)	HM88649-HM88610

A/C COMPRESSOR

1984-1976	Frigidaire A6 (axial drive compressor)	
Bearing	907257

BITTER

FRONT WHEEL

1989-1973	CD, SC, Convertible, Type 3	
Set (inner)	SET6
Set (outer)	SET2

REAR AXLE

Pinion

1985-1978	CD	
Cone/Cup (inner)	M802048-M802011
Seal (outer)	2043
Cone/Cup (outer)	M88048-M88010

CLUTCH

Release Bearing

1989-1985		
Bearing Only	OP1709C

[] Indicates Quantity Required; Set Components Listed Inside Rear Cover;
⁶⁴ Opt. Seal and Bushing Kit

Bearings and Seals

Mfg./Year Model & Location Part No Mfg./Year Model & Location Part No

BMW - 1000 & 2000 - Bavaria, 1500, 1600, 1600/2, 1600ti, 1800, 1800ti, 2000, 2000cs, 2000ti, 2002, 2002tii, 2500, 2800, 2800cs

FRONT WHEEL

1976-1965	Batavaria, 1500, 1800, 1800ti, 2000, 2000cs, 2000ti, 2002, 2002tii, 2500, 2800, 2800cs	
Seal (inner)	224250[2]
Set (inner)	SET6
Set (outer)	SET2
1971-1968	1600 from #1561462	
Seal (inner)	224010[2]
Set (inner)	SET8
Set (outer)	SET1
1968-1966	1600 to #1561461	
Seal (inner)	1196[2]
Set (inner)	SET4
Set (outer)	SET1
1964	Late	
Seal (inner)	224250[2]
Set (inner)	SET6
Set (outer)	SET2
1964	Early	
Set (inner)	SET6
Set (outer)	SET2
1963-1961		
Seal (inner)	1196[2]
Set (inner)	SET4
Set (outer)	SET1
1962-1955	Isetta (250/300)	
Bearing (inner)	204[2]
Bearing (outer)	203AB[2]

REAR WHEEL

1976-1966	1600, 1602, 1600yi, 2002, 2002tii	
Seal (inner)	224235[2]
Bearing (inner)	RW122[2]
Seal (outer)	224235[2]
Bearing (outer)	RW122[2]
1974-1969	Bavaria, 2500, 2800, 2800cs	
Seal (inner)	224250[2]
Bearing (inner)	206FF[2]
Seal (outer)	226020[2]
Bearing (outer)	208FF[2]
1970-1961	1500, 1800, 1800ti, 2000, 2000cs, 2000ti	
Bearing (inner)	206FF[2]
Bearing (outer)	206FF[2]
1962-1955	Isetta (250/300)	
Bearing	205BB[2]
1962-1955	Isetta (250/300): chain regulator	
Bearing (RH)	204
Bearing (LH)	202AG

REAR AXLE

Differential

1976-1961	1500, 1600, 1602, 1600ti, 2002, 2002tii	
Seal	239146[2]
Set	SET45[2]

REAR AXLE (cont.)

Differential (cont.)

1974-1964	Bavaria, 1800, 1800ti, 2000, 2000cs, 2000ti, 2500, 2800, 2800cs	
Seal	473823[2]
Cone/Cup	LM503349A-LM503310[2]

Pinion

1976-1961	1500, 1600, 1602, 1600ti, 2002, 2002tii	
Cone/Cup (inner)	HM88649-HM88610
Cone/Cup (outer)	M86649-M86610
1974-1964	Bavaria, 1800, 1800ti, 2000, 2000cs, 2000ti, 2500, 2800, 2800cs	
Cone/Cup (inner)	HM89449-HM89410
Seal (outer)	1979
Cone/Cup (outer)	HM88542-HM88510
Kwik Slv (Opt Rpr)	KWK99177
1962-1955	Isetta (250/300): chain regulator	
Bearing (LH)	204
Bearing (RH)	202AG

3-SPEED AUTOMATIC TRANSMISSION

Torque Converter

1975-1964	ZF 3HP12	
Seal	223800
Kwik Slv (Opt Rpr)	KWK99147
1971-1969	ZF 3HP20	
Seal	1973
Kwik Slv (Opt Rpr)	KWK99189

Rear Seal/Ext. Housing

1975-1964	ZF 3HP12, ZF 3HP20	
Seal	224045
Bearing	107WB

CLUTCH

Pilot Bearing

1976-1961		
Bearing	201AB

Release Bearing

1976-1961	1499cc/1.5L, 1573cc/1.6L, 1773cc/1.8L, 1990cc/2.0L	
Bearing Assy	614106
1974	2985cc/3.0L	
Bearing Assy	614105
1971-1969	2495cc/2.5L, 2788cc/2.8L	
Bearing Assy	614106

BMW - 1000 & 2000 - Bavaria, 1500, 1600, 1600/2, 1600ti, 1800, 1800ti, 2000, 2000cs, 2000ti, 2002, 2002tii, 2500, 2800, 2800cs (cont.)

4-SPEED MANUAL TRANSMISSION

Input Shaft

1976-1969	ZF S416	
Seal	223020
Bearing	206L
Kwik Slv (Opt Rpr)	KWK99114
1974-1964	Getrag 232, 262	
Seal	714619
Bearing	206WB
1971-1969	ZF S418	
Seal	223010
Bearing	306L
Kwik Slv (Opt Rpr)	KWK99114

Countershaft

1976-1969	ZF S416	
Bearing	304WB[2]
1974-1964	Getrag 232, 262	
Bearing	304WB[2]
1971-1969	ZF S418	
Bearing (front)	206L
Bearing (rear)	305AG

Rear Output Shaft

1976-1969	ZF S416	
Seal	222535
1974-1965	Getrag 232, 262, (late)	
Seal	224020
Bearing	306TB
1971-1969	ZF S418	
Seal	1966
Bearing	306L
1965-1964	Getrag 232, (early)	
Seal	224020
Bearing	305AG

ALTERNATOR

1989-1985	Bosch 80 amp: gas	
Bearing (drive end)	303CC
Bearing (rear end)	201CC
1989-1984	Bosch 90 amp	
Bearing (drive end)	303CC
Bearing (rear end)	201S
1986-1985	Bosch 80 amp: diesel	
Bearing (drive end)	203FF
Bearing (rear end)	200CC

ALTERNATOR (cont.)

1986-1977	Bosch 65 amp	
Bearing (drive end)	203S
Bearing (rear end)	201S
1976-1964	Bosch 45 amp	
Bearing (drive end)	203S
Bearing (rear end)	201S

GENERATOR

1971-1966	all	
Bearing (drive end)	202AG

DRIVESHAFT SUPPORT

1976-1966	1.1811 (30MM) I.D.	
Bearing	106CC

CRANKSHAFT REAR SEAL

4 Cylinder

1976-1961	1499cc/1.5L, 1573cc/1.6L, 1773cc/1.8L, 1990cc/2.0L	
Seal Viton	229005
Kwik Slv (Opt Rpr)	KWK99354

6 Cylinder

1974-1969	2495cc/2.5L, 2788cc/2.8L, 2985cc/3.0L	
Seal Viton	229005
Kwik Slv (Opt Rpr)	KWK99354

TIMING COVER

4 Cylinder

1976-1961	1499cc/1.5L, 1573cc/1.6L, 1773cc/1.8L, 1990cc/2.0L	
Seal	223540
Kwik Slv (Opt Rpr)	KWK99139

6 Cylinder

1974-1969	2495cc/2.5L, 2788cc/2.8L, 2985cc/3.0L	
Seal	224250
Kwik Slv (Opt Rpr)	KWK99166

BMW - 3 Series - 318i, 320i, 323ci, 325, 325e, 325es, 325i, 325is, 325ix, M3

FRONT WHEEL

1989-1988	325iX	
Bearing	513106[2]
1989-1988	M3	
Hub Assy	513094[2]
1989-1984	318i, 318is, 325, 325e, 325es, 325i, 325is	
Hub Assy	513111[2]

FRONT WHEEL (cont.)

1983-1980	
Seal (inner) 224010[2]
Set (inner) SET8
Set (outer) SET1
1979-1972	
Seal (inner) 224250[2]
Set (inner) SET6
Set (outer) SET2

Bearings and Seals

Mfg./Year Model & Location Part No Mfg./Year Model & Location Part No

BMW - 3 Series - 318i, 320i, 323ci, 325, 325e, 325es, 325i, 325is, 325ix, M3 (cont.)

REAR WHEEL

1989-1987	318i, 318is, 323i, 323is, 323ci, 325, 325e, 325es, 325i, 325is, 325ix, 325ci, 328i, 328is, 328ci	
Bearing	513106[2]
1989-1988	M3	
Bearing	513113[2]
1986-1984		
Bearing	513113[2]
1983-1980		
Seal (inner)	224235[2]
Bearing (inner)	RW122[2]
Seal (outer)	224235[2]
Bearing (outer)	RW122[2]
1979-1977	320i	
Seal (inner)	224235[2]
Bearing (inner)	RW122[2]
Seal (outer)	224235[2]
Bearing (outer)	RW122[2]
1976-1972	3.0 CS, S, Si, CSi	
Seal (inner)	224250[2]
Bearing (inner)	206FF[2]
Seal (outer)	226020[2]
Bearing (outer)	208FF[2]

FRONT AXLE

Differential

1989-1988	325iX	
Seal	473823[2]
Cone/Cup	LM29749-LM29710[2]
Kwik Slv (Opt Rpr)	KWK99139[2]

Pinion

1989-1988	325iX	
Cone/Cup (inner)	M88048-M88010
Cone/Cup (outer)	M86649-M86610

REAR AXLE

Differential

1989-1984	M3, 325 series, 328 series, 330i, 330xi	
Seal	473823[2]
Cone/Cup	LM503349A-LM503310[2]
Kwik Slv (Opt Rpr)	KWK99139[2]
1985-1980	318i, 320i	
Seal	239146[2]
Set	SET45[2]
1979-1977	320i	
Seal	239146[2]
Set	SET45[2]
1976-1972	3.0 CS, S, Si, CSi	
Seal	473823[2]
Cone/Cup	LM503349A-LM503310[2]
Kwik Slv (Opt Rpr)	KWK99139[2]

REAR AXLE

Pinion

1989-1984	M3, 325 series, 328 series, 330i, 330xi	
Cone/Cup (inner)	HM89449-HM89410
Seal (outer)	1979
Cone/Cup (outer)	HM88542-HM88510
Kwik Slv (Opt Rpr)	KWK99177
1985-1979	318i, 320i	
Cone/Cup (inner)	HM89446-HM89410
Seal (outer)	1992
Cone/Cup (outer)	M86649-M86610
Kwik Slv (Opt Rpr)	KWK99157
1978-1977	320i	
Cone/Cup (inner)	HM88649-HM88610
Seal (outer)	1992
Cone/Cup (outer)	M86649-M86610
Kwik Slv (Opt Rpr)	KWK99157
1976-1972	3.0 CS, S, Si, CSi	
Cone/Cup (inner)	HM89449-HM89410
Seal (outer)	1979
Cone/Cup (outer)	HM88542-HM88510
Kwik Slv (Opt Rpr)	KWK99177

TRANSFER CASE

Input Shaft

1989-1987	A95 (M/T)	
Seal	710310
Bearing	109TB
1989-1987	A95 (A/T)	
Bearing	109TB

Front Output Shaft

1989-1987	A95	
Seal	1172S
Kwik Slv (Opt Rpr)	KWK99139

Rear Output Shaft

1989-1987	A95	
Bearing (center)	107WB
Bearing (rear)	105CB

3-SPEED AUTOMATIC TRANSMISSION

Torque Converter

1985-1975	ZF3HP22	
Seal	224010
Kwik Slv (Opt Rpr)	KWK99157

Rear Seal/Ext. Housing

1985-1975	ZF3HP22	
Seal	3459S
Bearing	107WB

BMW - 3 Series - 318i, 320i, 323ci, 325, 325e, 325es, 325i, 325is, 325ix, M3 (cont.)

4-SPEED AUTOMATIC TRANSMISSION

Torque Converter

1989-1984	ZF4HP22	
Seal		224052
Kwik Slv (Opt Rpr)		KWK99157

Rear Seal/Ext. Housing

1989	ZF4HP22	
Seal		710140
1988-1984	ZF4HP22	
Seal		3459S

CLUTCH - 4 CYLINDER

Pilot Bearing

1989-1977	1766cc/1.8L, 1796cc/1.8L, 1990cc/2.0L, 2302cc/2.3L	
Bearing		201CC

CLUTCH - 6 CYLINDER

Pilot Bearing

1989-1972	2494cc/2.5L, 2693cc/2.7L, 2788cc/2.8L, 2985cc/3.0L, 2990cc/3.0L	
Bearing		201CC

CLUTCH - 4 CYLINDER

Release Bearing

1989-1977	1766cc/1.8L, 1796cc/1.8L, 1895cc/1.9L, 1990cc/2.0L, 2302cc/2.3L	
Bearing Assy		614105

CLUTCH - 6 CYLINDER

Release Bearing

1989-1974	2494cc/2.5L, 2693cc/2.7L, 2788cc/2.8L, 2793cc/2.8L, 2985cc/3.0L, 2990cc/3.0L	
Bearing Assy		614105
1973	2985cc/3.0L	
Bearing Assy		614106

4-SPEED MANUAL TRANSMISSION

Input Shaft

1979-1972	Getrag 242, 262	
Seal		714619
Bearing		306L
Kwik Slv (Opt Rpr)		KWK99114

Countershaft

1979-1977	Getrag 242	
Bearing (front)		305AG
1979-1972	Getrag 262	
Bearing		304WB[2]

4-SPEED MANUAL TRANSMISSION

Rear Output Shaft

1979-1972	Getrag 242, 262	
Seal		224020
Bearing		306TB
Kwik Slv (Opt Rpr)		KWK99157

5-SPEED MANUAL TRANSMISSION

Front Input Shaft

1989-1983	Getrag 240, 260	
Seal		223535
Kwik Slv (Opt Rpr)		KWK99139
1989-1988	Getrag 265	
Seal		223010
Bearing		306L
Kwik Slv (Opt Rpr)		KWK99114
1985-1984	ZF S5-16	
Seal		223020
Kwik Slv (Opt Rpr)		KWK99114
1982-1980	Getrag 245	
Seal		223010
Bearing		206WB
Kwik Slv (Opt Rpr)		KWK99114

Countershaft

1989-1988	Getrag 265	
Bearing (front)		305AG
1982-1980	Getrag 245	
Bearing (front)		304WB

Rear Output Shaft

1989-1983	Getrag 240, 245, 260	
Seal		473677
1989-1988	Getrag 265	
Seal		473677
Bearing		306L
1985-1984	ZF S5-16	
Seal		223535
1982-1980	Getrag 245	
Seal		473677
Bearing		306L

A/C COMPRESSOR

1989-1984	Nippondenso 10P15 Axial	
Bearing		5000KFF
1989-1984	Sanden SD 508 Axial	
Bearing		5001KFF

ALTERNATOR

1989-1987	Bosch 80, 105, 115, 140 amp	
Bearing (rear end)		201CC
1989-1984	Bosch 80, 105, 115, 140 amp	
Bearing (drive end)		303CC
1989-1972	Bosch 45, 65, 90 amp	
Bearing (rear end)		201S
1985-1972	Bosch 45, 65, 90 amp	
Bearing (drive end)		203S

Bearings and Seals

Mfg./Year Model & Location Part No Mfg./Year Model & Location Part No

BMW - 3 Series - 318i, 320i, 323ci, 325, 325e, 325es, 325i, 325is, 325ix, M3 (cont.)

DRIVESHAFT SUPPORT

1989-1972 1.1811 (30MM) I.D.
 Bearing 106CC

POWER STEERING

Pump Shaft

1983-1980
 Seal 222060
 Bearing 104CC
 1979-1977 320i
 Bearing 104CC

CRANKSHAFT REAR SEAL

4 Cylinder

1989-1977
 Seal Viton 229005
 Kwik Slv (Opt Rpr) KWK99354

CRANKSHAFT REAR SEAL

6 Cylinder

1989-1984 2494cc/2.5L, 2693cc/2.7L,
 2793cc/2.8L, 2990cc/3.0L
 Seal Viton 229005
 Kwik Slv (Opt Rpr) KWK99354

TIMING COVER

4 Cylinder

1985-1980 1766cc/1.8L
 Seal 223540
 Kwik Slv (Opt Rpr) KWK99139

6 Cylinder

1989-1984 2494cc/2.5L, 2693cc/2.7L,
 2793cc/2.8L, 2990cc/3.0L,
 3152cc/3.1L
 Seal Viton 716484
 Kwik Slv (Opt Rpr) KWK99189
 1976-1972 2788cc/2.8L; 2985cc/3.0L
 Seal 224250
 Kwik Slv (Opt Rpr) KWK99166

BMW - 5 Series - M5, 524td, 525i, 528e, 528i, 530i, 533i, 535i, 535is

FRONT WHEEL

1989 525i; 535i
 Hub Assy 513096[2]
 1988-1982
 Hub Assy 513094[2]
 1981-1976
 Seal (inner) 224250[2]
 Set (inner) SET6
 Set (outer) SET2

REAR WHEEL

1989 525i Station wagon
 Bearing 513180[2]
 1989 525i Sedan
 Bearing 511020[2]
 1988-1982 M5; 524td; 528e; 533i; 535is
 Bearing 513180[2]
 1981-1980 528i
 Seal (inner) 224250[2]
 Bearing (inner) 206FF[2]
 Seal (outer) 226020[2]
 Bearing (outer) 208FF[2]
 1979-1976 528; 530i
 Seal (inner) 224250[2]
 Bearing (inner) 206FF[2]
 Seal (outer) 226020[2]
 Bearing (outer) 208FF[2]

REAR AXLE

Differential

1989-1976 524td; 525i; 528e; 528i; 530i;
 533i; 535i; 535is
 Seal 473823[2]
 Cone/Cup LM503349A-LM503310[2]
 Kwik Slv (Opt Rpr) KWK99139[2]

Pinion

1989-1980 524td; 525i; 528e; 528i; 530i;
 533i; 535i; 535is
 Cone/Cup (inner) HM89449-HM89410
 Seal (outer) 1979
 Cone/Cup (outer) HM88542-HM88510
 Kwik Slv (Opt Rpr) KWK99177
 1988-1987 M5
 Cone/Cup (inner) HM803149-HM803110
 Seal (outer) 223520
 Cone/Cup (outer) HM89448-HM89410
 Kwik Slv (Opt Rpr) KWK99139
 1979-1976
 Cone/Cup (inner) HM89449-HM89410
 Seal (outer) 1979
 Cone/Cup (outer) HM88542-HM88510
 Kwik Slv (Opt Rpr) KWK99177

3-SPEED AUTOMATIC TRANSMISSION

Torque Converter

1984-1976 ZF3HP22
 Seal 224010
 Kwik Slv (Opt Rpr) KWK99157

BMW - 5 Series - M5, 524td, 525i, 528e, 528i, 530i, 533i, 535i, 535is (cont.)

3-SPEED AUTOMATIC TRANSMISSION

Rear Seal/Ext. Housing

1984-1975	ZF3HP22	
Seal		3459S
Bearing		107WB

4-SPEED AUTOMATIC TRANSMISSION

Torque Converter

1989-1983	ZF4HP22	
Seal		224052
Kwik Slv (Opt Rpr)		KWK99157

Rear Seal/Ext. Housing

1989	ZF4HP22	
Seal		710140
1988-1983	ZF4HP22	
Seal		3459S

CLUTCH - 6 CYLINDER

Pilot Bearing

1989-1976	2494cc/2.5L, 2693cc/2.7L, 2788cc/2.8L, 2985cc/3.0L, 2990cc/3.0L	
Bearing		201CC

Release Bearing

1989-1976		
Bearing Assy		614105

4-SPEED MANUAL TRANSMISSION

Input Shaft

1980-1976	Getrag 242, 262	
Seal		714619
Bearing		206L

Countershaft

1980	Getrag 262	
Bearing (front)		305AG
1979-1977	Getrag 242	
Bearing (front)		305AG
1979-1976	Getrag 262	
Bearing		304WB[2]

Rear Output Shaft

1980	Getrag 262	
Seal		473677
Bearing		306L
1979-1976	Getrag 242, 262	
Seal		224020
Bearing		306TB
Kwik Slv (Opt Rpr)		KWK99157

5-SPEED MANUAL TRANSMISSION

Front Input Shaft

1989-1983	Getrag 260, 280	
Seal		223535
Kwik Slv (Opt Rpr)		KWK99139
1987-1980	Getrag 265	
Seal		223010
Bearing		306L
Kwik Slv (Opt Rpr)		KWK99114

Countershaft

1987-1980	Getrag 265	
Bearing (front)		305AG
Bearing (rear)		306L

Rear Output Shaft

1989-1983	Getrag 260, 280	
Seal		473677
1987-1980	Getrag 265	
Seal		473677
Bearing		306L

ALTERNATOR

1989-1987	Bosch 80, 105, 115, 140 amp	
Bearing (drive end)		303CC
1989-1987	Bosch 80, 105, 115, 140 amp	
Bearing (rear end)		201CC
1988-1975	Bosch 45, 65, 90 amp	
Bearing (rear end)		201S
1986-1985	Bosch 80 amp: diesel	
Bearing (drive end)		203FF
1983-1975	Bosch 45, 65, 90 amp	
Bearing (drive end)		203S

DRIVESHAFT SUPPORT

1989-1976	1.1811 (30MM) I.D.	
Bearing		106CC

POWER STEERING

Pump Shaft

1989-1982		
Seal		222820
1981-1980		
Seal		222060
Bearing		104CC
1979	528i	
Bearing		104CC
1978-1975		
Seal		222820

Bearings and Seals

Mfg./Year Model & Location Part No Mfg./Year Model & Location Part No

BMW - 5 Series - M5, 524td, 525i, 528e, 528i, 530i, 533i, 535i, 535is (cont.)

CRANKSHAFT REAR SEAL

6 Cylinder

1989-1975 2443cc/2.4L Diesel; 2494cc/2.5L;
2693cc/2.7L; 2788cc/2.8L;
3210cc/3.2L; 3430cc/3.4L;
3453cc/3.5L; 3535cc/3.5L
Seal Viton 229005
Kwik Slv (Opt Rpr)KWK99354

TIMING COVER

6 Cylinder

1989-1982 2443cc/2.4L Diesel; 2494cc/2.5L;
2693cc/2.7L
Seal Viton 716484
Kwik Slv (Opt Rpr)KWK99189

TIMING COVER (cont.)

6 Cylinder (cont.)

1989-1983 3210cc/3.2L, 3430cc/3.4L
Seal 224250
Kwik Slv (Opt Rpr)KWK99166
1981-1975 2788cc/2.8L; 2985cc/3.0L
Seal 224250
Kwik Slv (Opt Rpr)KWK99166

BMW - 6 Series - L6, M6, 630csi, 633csi, 635csi

FRONT WHEEL

1989-1983
Hub Assy 513094[2]
1982-1978
Seal (inner) 224820[2]
Set (inner) SET13
Set (outer) SET12
1978-1977
Seal (inner) 224250[2]
Set (inner) SET6
Set (outer) SET2

REAR WHEEL

1989-1983
Bearing 513180[2]
1982-1977
Seal (inner) 224250[2]
Bearing (inner) 206FF[2]
Seal (outer) 226020[2]
Bearing (outer) 208FF[2]

REAR AXLE

Differential

1989-1985
Seal 1012N[2]
Cone/Cup JLM104948-JLM104910[2]
Kwik Slv (Opt Rpr)KWK99177[2]
1984-1977
Seal 473823[2]
Cone/Cup LM503349A-LM503310[2]
Kwik Slv (Opt Rpr)KWK99139

REAR AXLE

Pinion

1989-1985
Cone/Cup (inner) HM803149-HM803110
Seal (outer) 223520
Cone/Cup (outer) HM89448-HM89410
Kwik Slv (Opt Rpr)KWK99139
1984-1977
Cone/Cup (inner) HM89449-HM89410
Seal (outer) 1979
Cone/Cup (outer) HM88542-HM88510
Kwik Slv (Opt Rpr)KWK99177

3-SPEED AUTOMATIC TRANSMISSION

Torque Converter

1984-1977 ZF3HP22
Seal 224010
Kwik Slv (Opt Rpr)KWK99157

Rear Seal/Ext. Housing

1984-1977 ZF3HP22
Seal 3459S
Bearing 107WB

4-SPEED AUTOMATIC TRANSMISSION

Torque Converter

1989-1983 ZF4HP22
Seal 224052
Kwik Slv (Opt Rpr)KWK99157

Rear Seal/Ext. Housing

1989 ZF4HP22
Seal 710140
1988-1983 ZF4HP22
Seal 3459S

BMW - 6 Series - L6, M6, 630csi, 633csi, 635csi (cont.)

CLUTCH - 6 CYLINDER

Pilot Bearing

1989-1977
Bearing 201CC

Release Bearing

1989-1977
Bearing Assy 614105

4-SPEED MANUAL TRANSMISSION

Input Shaft

1980-1977 Getrag 242, 262
Seal 714619
Bearing 206L
Kwik Slv (Opt Rpr)KWK99114

Countershaft

1980 Getrag 262
Bearing (front) 305AG
1979-1977 Getrag 262
Bearing 304WB[2]

Rear Output Shaft

1980 Getrag 262
Seal 473677
Bearing 306L
1979-1977 Getrag 242, 262
Seal 224020
Bearing 306TB
Kwik Slv (Opt Rpr)KWK99157

5-SPEED MANUAL TRANSMISSION

Front Input Shaft

1989-1983 Getrag 260, 280
Seal 223535
Kwik Slv (Opt Rpr)KWK99139
1987-1985 Getrag 265
Seal 223010
Bearing 306L
Kwik Slv (Opt Rpr)KWK99114
1982-1980 Getrag 265
Seal 223010
Bearing 306L
Kwik Slv (Opt Rpr)KWK99114

Countershaft

1987-1985 Getrag 265
Bearing (front) 305AG
Bearing (rear) 306L
1982-1980 Getrag 265
Bearing (front) 305AG
Bearing (rear) 306L

Rear Output Shaft

1989-1983 Getrag 260, 280
Seal 473677
1987-1985 Getrag 265
Seal 473677
Bearing 306L

5-SPEED MANUAL TRANSMISSION (cont.)

Rear Output Shaft (cont.)

1982-1980 Getrag 265
Seal 473677
Bearing 306L

A/C COMPRESSOR

1989-1979 Sanden SD 508 Axial
Bearing 5001KFF

ALTERNATOR

1988-1985 Bosch 80, 115, 140 amp
Bearing (drive end) 303CC
1988-1977 Bosch 65, 90 amp
Bearing (rear end) 201S
1986-1977 Bosch 65 amp
Bearing (drive end) 203S

DRIVESHAFT SUPPORT

1989-1977 1.1811 (30MM) I.D.
Bearing 106CC

POWER STEERING

Pump Shaft

1982-1977
Seal 222060
Bearing 104CC

CAMSHAFT SEAL

6 Cylinder

1988-1987 3453cc/3.5 DOHC
Seal 222820
Kwik Slv (Opt Rpr)KWK99111

CRANKSHAFT REAR SEAL

6 Cylinder

1989-1977 2985cc/3.0L; 3210cc/3.2L;
3430cc/ 3.4L; 3453cc/3.5L
Seal Viton 229005
Kwik Slv (Opt Rpr)KWK99354

TIMING COVER

6 Cylinder

1989-1977 2985cc/3.0L; 3210cc/3.2L;
3430cc/ 3.4L
Seal 224250
Kwik Slv (Opt Rpr)KWK99166

Bearings and Seals

Mfg./Year Model & Location Part No Mfg./Year Model & Location Part No

BMW - 7 Series - 733i, 735i, 735il, 750il, L7

FRONT WHEEL

1989-1987		
Hub Assy		513096[2]
1987-1986 L7		
Hub Assy		513094[2]
1986-1978 733i, 735i		
Seal (inner)		224820[2]
Set (inner)		SET13
Set (outer)		SET12

REAR WHEEL

1989-1982		
Bearing		513180[2]
1981-1978		
Seal (inner)		224250[2]
Bearing (inner)		206FF[2]
Seal (outer)		226020[2]
Bearing (outer)		208FF[2]

REAR AXLE

Differential

1989-1986 L7, 740i, 740il, 750il		
Seal		1012N[2]
Cone/Cup	JLM104948-JLM104910[2]	
Kwik Slv (Opt Rpr)		KWK99177[2]
1989-1982 733i, 735i, 735il		
Seal		473823[2]
Cone/Cup	LM503349A-LM503310[2]	
Kwik Slv (Opt Rpr)		KWK99139[2]
1981-1978 733i		
Seal		1012N[2]
Cone/Cup	JLM104948-JLM104910[7]	
Kwik Slv (Opt Rpr)		KWK99177[2]

Pinion

1989-1986 L7, 740i, 740il, 750il		
Cone/Cup (inner)	HM803149-HM803110	
Seal (outer)		223520
Cone/Cup (outer)	HM89448-HM89410	
Kwik Slv (Opt Rpr)		KWK99139
1989-1982 733i, 735i, 735il		
Cone/Cup (inner)	HM89449-HM89410	
Seal (outer)		1979
Cone/Cup (outer)	HM88542-HM88510	
Kwik Slv (Opt Rpr)		KWK99177
1981-1978		
Cone/Cup (inner)	HM803149-HM803110	
Seal (outer)		223520
Cone/Cup (outer)	HM89448-HM89410	
Kwik Slv (Opt Rpr)		KWK99139

3-SPEED AUTOMATIC TRANSMISSION

Torque Converter

1983-1978 ZF3HP22		
Seal		224010
Kwik Slv (Opt Rpr)		KWK99157

3-SPEED AUTOMATIC TRANSMISSION

Rear Seal/Ext. Housing

1983-1978 ZF3HP22		
Seal		3459S
Bearing		107WB

4-SPEED AUTOMATIC TRANSMISSION

Torque Converter

1989-1983 ZF4HP22, ZF4HP24		
Seal		224052
Kwik Slv (Opt Rpr)		KWK99157

Rear Seal/Ext. Housing

1989 ZF4HP22, ZF4HP24		
Seal		710140
1988-1983 ZF4HP22, ZF4HP24		
Seal		3459S

CLUTCH - 6 CYLINDER

Pilot Bearing

1989-1978		
Bearing		201CC

Release Bearing

1989-1978		
Bearing Assy		614105

4-SPEED MANUAL TRANSMISSION

Input Shaft

1980-1978 Getrag 262		
Seal		714619
Bearing		206L
Kwik Slv (Opt Rpr)		KWK99114

Countershaft

1980 Getrag 262		
Bearing (front)		305AG
1979-1978 Getrag 262		
Bearing		304WB[2]

Rear Output Shaft

1980 Getrag 262		
Seal		473677
Bearing		306L
1979-1978 Getrag 262		
Seal		224020
Bearing		306TB
Kwik Slv (Opt Rpr)		KWK99157

5-SPEED MANUAL TRANSMISSION

Front Input Shaft

1989-1983 Getrag 260		
Seal		223535
Kwik Slv (Opt Rpr)		KWK99139

BMW - 7 Series - 733i, 735i, 735il, 750il, L7 (cont.)

5-SPEED MANUAL TRANSMISSION (cont.)

Front Input Shaft (cont.)

1987-1985	Getrag 265	
Seal	223010
Bearing	306L
Kwik Slv (Opt Rpr)	KWK99114
1982-1980	Getrag 265	
Seal	223010
Bearing	306L
Kwik Slv (Opt Rpr)	KWK99114

Countershaft

1987-1985	Getrag 265	
Bearing (front)	305AG
Bearing (rear)	306L
1982-1980	Getrag 265	
Bearing (front)	305AG
Bearing (rear)	306L

Rear Output Shaft

1989-1983	Getrag 260	
Seal	473677
1987-1985	Getrag 265	
Seal	473677
Bearing	306L
1982-1980	Getrag 265	
Seal	473677
Bearing	306L

A/C COMPRESSOR

1989-1979	Sanden SD 508 Axial	
Bearing	5001KFF

ALTERNATOR

1989-1986	Bosch 80, 115, 140 amp	
Bearing (drive end)	303CC
1989-1985	Bosch 80, 115, 140 amp	
Bearing (rear end)	201CC
1989-1978	Bosch 65, 90 amp	
Bearing (rear end)	201S
1986-1978	Bosch 65 amp	
Bearing (drive end)	203S

DRIVESHAFT SUPPORT

1989-1978	1.1811 (30MM) I.D.	
Bearing	106CC

POWER STEERING

Pump Shaft

1987-1986	L7	
Seal	7013S
1986-1978		
Seal	222060
Bearing	104CC

CRANKSHAFT REAR SEAL

6 Cylinder

1989-1978	3210cc/3.2L, 3430cc/3.4L	
Seal Viton	229005
Kwik Slv (Opt Rpr)	KWK99354

12 Cylinder

1989-1988	4988cc/5.0L, 5379cc/5.4L	
Seal	231003
Kwik Slv (Opt Rpr)	KWK99393

TIMING COVER

6 Cylinder

1989-1978	3210cc/3.2L, 3430cc/3.4L	
Seal	224250
Kwik Slv (Opt Rpr)	KWK99166

12 Cylinder

1989-1988	4988cc/5.0L, 5379cc/5.4L	
Seal	225530
Kwik Slv (Opt Rpr)	KWK99215

BUICK - FRONT DRIVE - Century

FRONT WHEEL

1989-1985	9.75" rotor	
Hub Assy	513011K[2] ⁶¹
Seal Kit	5699 ¹²
1989-1983	10.25" rotor	
Hub Assy	513016K[2] ⁶¹
Seal Kit	5698 ¹²
1984-1983	9.75" rotor	
Hub Assy	513011K[2] ⁶¹
Seal Kit	5699 ¹²
1982		
Hub Assy	513011K[2] ⁶¹
Seal Kit	5699 ¹²

REAR WHEEL

1989-1984	with JA1(Lt duty) brakes	
Hub Assy	513003[2]
1989-1984	with JA2 (heavy) JA8(medium) brakes	
Hub Assy	513018[2]
1983	with JA1(Lt duty) JA8(medium duty) brakes	
Hub Assy	513003[2]
1983	with JA2 (heavy) brakes	
Hub Assy	513018[2]
1982		
Hub Assy	513003[2]

[] Indicates Quantity Required; Set Components Listed Inside Rear Cover;

¹² Opt. Kit includes seal and O ring; kit included w/hub assembly

⁶¹ Kit incl: Seal, Hub Nut, and Bearing Unit

Bearings and Seals

Mfg./Year Model & Location Part No Mfg./Year Model & Location Part No

BUICK - FRONT DRIVE - Century (cont.)

3-SPEED AUTOMATIC TRANSAXLE

Torque Converter

1989-1982
Seal4072N

Output Shaft

1989-1982
Seal (LH) 3543
Kwik Slv (Opt Rpr) (LH)KWK99139
Seal (RH) 3543
Kwik Slv (Opt Rpr) (RH) KWK99139

Selector Shaft Seal/Man. Shaft

1989-1982
Seal 340847
Kwik Slv (Opt Rpr)KWK99049

4-SPEED AUTOMATIC TRANSAXLE

Torque Converter

1989-1984
Seal4072N

Output Shaft

1989-1984
Seal (LH)710096
Kwik Slv (Opt Rpr) (LH)KWK99139
Seal (RH) 3543
Kwik Slv (Opt Rpr) (RH) KWK99139

Selector Shaft Seal/Man. Shaft

1989-1984
Seal 340847
Kwik Slv (Opt Rpr)KWK99049

ALTERNATOR

1989-1983
Bearing (drive end)203FF
Bearing (rear end) 100CCAB

POWER STEERING

Pump Shaft

1989-1987
Seal 221925
1986-1983 with integral reservoir
Seal 221925
1986-1982 with remote reservoir
Seal7013S

CRANKSHAFT REAR SEAL

4 Cylinder

1989-1982 151/2.5L
Seal 3698

CRANKSHAFT REAR SEAL

6 Cylinder

1989 204/3.3L
Seal Viton 320691
Kwik Slv (Opt Rpr)KWK99328
1989-1982 173/2.8L
Seal 4307V
Seal PTFE H/D Opt. 5273
Kwik Slv (Opt Rpr)KWK99298
1988-1984 231/3.8L
Seal 5591
Seal PTFE H/D Opt. 5291
1985-1982 260/4.3 diesel
Seal Rope 5095
1985-1982 181/3.0L
Seal 5591
Seal PTFE H/D Opt. 5291

TIMING COVER

4 Cylinder

1989-1982 151/2.5L
Seal 9845
Kwik Slv (Opt Rpr)KWK99176

6 Cylinder

1989 204/3.3L
Seal Viton 710162
Kwik Slv (Opt Rpr)KWK99193
1989-1982 173/2.8L
Seal 9845
Kwik Slv (Opt Rpr)KWK99176
Harmonic Balancer
Sleeves Opt. 88176
1988-1984 231/3.8L
Seal Viton 710162
Kwik Slv (Opt Rpr)KWK99193
1985-1982 181/3.0L
Seal 710163
1985-1982 260/4.3 diesel
Seal 9845
Kwik Slv (Opt Rpr)KWK99176
Harmonic Balancer
Sleeves Opt. 88176

BUICK - FRONT DRIVE - Electra, LeSabre, Electra Park Avenue

FRONT WHEEL

1989-1986	LeSabre	
Hub Assy	513016K[2] ⁶¹
Seal Kit	5698 ¹²
1989-1985	Electra Park Ave	
Hub Assy	513016K[2] ⁶¹
Seal Kit	5698 ¹²
1989-1985	Electra	
Hub Assy	513016K[2] ⁶¹
Seal Kit	5698 ¹²

REAR WHEEL

1989-1986	LeSabre: exc ABS brakes	
Hub Assy	513018[2]
1989-1987	Electra: ABS brakes	
Hub Assy	513041[2]
1989-1987	Electra Park Ave; non-ABS	
Hub Assy	513041[2]
1989-1985	Electra Park Ave	
Hub Assy	513018[2]
1989-1985	Electra: exc. ABS brakes	
Hub Assy	513018[2]

4-SPEED AUTOMATIC TRANSAXLE

Torque Converter

1989-1986	LeSabre	
Seal	4072N
1989-1985	Electra Park Ave	
Seal	4072N
1989-1985	Electra	
Seal	4072N

Output Shaft

1989-1986	LeSabre	
Seal (LH)	710096
Seal (RH)	3543
1989-1985	Electra	
Seal (LH)	710096
Seal (RH)	3543
1989-1985	Electra Park Ave	
Seal (LH)	710096
Seal (RH)	3543

4-SPEED AUTOMATIC TRANSAXLE

Selector Shaft Seal/Man. Shaft

1989-1986	LeSabre	
Seal	8792S
1989-1985	Electra	
Seal	8792S
1989-1985	Electra Park Ave	
Seal	8792S

ALTERNATOR

1989-1985	Electra LeSabre Electra Park Avenue Park Avenue	
Bearing (drive end)	203FF
Bearing (rear end)	100CCAB

POWER STEERING

Pump Shaft

1989-1985	with remote reservoir	
Seal	7013S
1989-1985	with integral reservoir	
Seal	221925
Bearing	203FF

CRANKSHAFT REAR SEAL

6 Cylinder

1989-1985	231/3.8L	
Seal	5591
Seal PTFE H/D Opt.	5291
1985	181/3.0L	
Seal	5591
1985	260/4.3 diesel	
Seal	5419

TIMING COVER

6 Cylinder

1989-1985	181/3.0L, 231/3.8L	
Seal Viton	710162
Kwik Slv (Opt Rpr)	KWK99193
1985	260/4.3 diesel	
Seal	472924
Kwik Slv (Opt Rpr)	KWK99199

BUICK - FRONT DRIVE - Regal

FRONT WHEEL

1989-1988		
Hub Assy	513044[2]

REAR WHEEL

1989-1988	w/ 4 wheel disc non-ABS brakes	
Hub Assy	513018[2]
1989-1988	with ABS brakes	
Hub Assy	513042[2]

4-SPEED AUTOMATIC TRANSAXLE

Torque Converter

1989-1988		
Seal	4072N

[] Indicates Quantity Required; Set Components Listed Inside Rear Cover;

¹² Opt. Kit includes seal and O ring; kit included w/hub assembly

⁶¹ Kit incl: Seal, Hub Nut, and Bearing Unit

Bearings and Seals

Mfg./Year Model & Location Part No Mfg./Year Model & Location Part No

BUICK - FRONT DRIVE - Regal (cont.)

4-SPEED AUTOMATIC TRANSAXLE

Output Shaft

1989-1988 4T60E
 Seal (LH) 710096
 Kwik Slv (Opt Rpr) (LH) KWK99139
 Seal (RH) 3543
 Kwik Slv (Opt Rpr) (RH) KWK99139

Selector Shaft Seal/Man. Shaft

1989-1988
 Seal 8792S

POWER STEERING

Pump Shaft

1989-1988 with remote reservoir
 Seal 7013S

CRANKSHAFT REAR SEAL

6 Cylinder

1989 189/3.1L
 Seal 4307V
 Seal PTFE H/D Opt. 5273
 Kwik Slv (Opt Rpr) KWK99298

CRANKSHAFT REAR SEAL (cont.)

6 Cylinder (cont.)

1989-1988 173/2.8L
 Seal 4307V
 Seal PTFE H/D Opt. 5273
 Kwik Slv (Opt Rpr) KWK99298

TIMING COVER

6 Cylinder

1989 189/3.1L
 Seal 9845
 Kwik Slv (Opt Rpr) KWK99176
1989-1988 173/2.8L
 Seal 9845
 Kwik Slv (Opt Rpr) KWK99176

BUICK - FRONT DRIVE - Riviera, Reatta

FRONT WHEEL

1989
 Hub Assy 513059[2]
1988-1986
 Hub Assy 513016K[2]⁶¹
 Seal Kit 5698¹²
1985-1979
 Hub Assy 513013[2]

REAR WHEEL

1989-1988 with ABS brakes
 Hub Assy 513041[2]
1989-1986 non- ABS Brakes
 Hub Assy 513018[2]
1985-1979 rear disc brakes
 Hub Assy 513009[2]¹⁶
1985-1979 rear drum brakes
 Hub Assy 513010[2]

3-SPEED AUTOMATIC TRANSAXLE

Torque Converter

1985-1982
 Seal 3227
 Kwik Slv (Opt Rpr) KWK99174
1981-1979
 Seal 6712NA
 Kwik Slv (Opt Rpr) KWK99187

3-SPEED AUTOMATIC TRANSAXLE

Output Shaft

1985-1979 with final drive assembly
 Seal 3907[2]

Selector Shaft Seal/Man. Shaft

1985-1979
 Seal 8792S

4-SPEED AUTOMATIC TRANSAXLE

Torque Converter

1989-1986
 Seal 4072N
1985-1979
 Seal 3227
 Kwik Slv (Opt Rpr) KWK99174

Output Shaft

1989-1979
 Seal (LH) 710096
 Seal (RH) 3543

Selector Shaft Seal/Man. Shaft

1989-1979
 Seal 8792S

30 [] Indicates Quantity Required; Set Components Listed Inside Rear Cover;

¹² Opt. Kit includes seal and O ring; kit included w/hub assembly ¹⁶ Check for availability, while supplies last

⁶¹ Kit incl: Seal, Hub Nut, and Bearing Unit

BUICK - FRONT DRIVE - Riviera, Reatta (cont.)

ALTERNATOR

1989-1979
 Bearing (drive end)203FF
 Bearing (rear end)100CCAB

POWER STEERING

Pump Shaft

1989-1986
 Seal 221925
 Bearing203FF
1985-1979
 Seal 480821

CRANKSHAFT REAR SEAL

6 Cylinder

1989 231/3.8L
 Seal Viton 320691
 Kwik Slv (Opt Rpr)KWK99328
1988-1980 231/3.8L
 Seal 5591
1984-1981 252/4.1L
 Seal 5591
 Seal PTFE H/D Opt. 5291

8 Cylinder

1985-1980 307/5.0L
 Seal Rope5095
1985-1980 350/5.7L Diesel
 Seal 5591
1980-1979 350/5.7L
 Seal 5591

TIMING COVER

6 Cylinder

1989-1986 231/3.8L
 Seal Viton 710162
 Kwik Slv (Opt Rpr)KWK99193
1985-1980 231/3.8L
 Seal 710163
1984-1981 252/4.1L
 Seal 471424
 Kwik Slv (Opt Rpr)KWK99199

8 Cylinder

1985-1980 350/5.7L Diesel
 Seal 472082
 Kwik Slv (Opt Rpr)KWK99199
1985-1980 307/5.0L
 Seal 472082
 Kwik Slv (Opt Rpr)KWK99199
1980-1979 350/5.7L
 Seal 472082
 Kwik Slv (Opt Rpr)KWK99199

BUICK - FRONT DRIVE - Skyhawk

FRONT WHEEL

1989-1984 12mm holes in mounting flange
 Hub Assy513017K[2]⁶¹
 Seal Kit 5697¹²
1984-1982 10mm holes in mounting flange
 Hub Assy 513004K[2]⁶¹
 Seal Kit 5697¹²

REAR WHEEL

1989-1982
 Hub Assy 513012[2]

CLUTCH

Release Bearing

1989-1983 5-speed: 4-cylinder:
 Bearing Assy 614108
1987-1982 4-speed
 Bearing Assy 614009

3-SPEED AUTOMATIC TRANSAXLE

Torque Converter

1989-1982
 Seal 4072N

Output Shaft

1989-1982
 Seal 3543[2]
 Kwik Slv (Opt Rpr)KWK99139[2]

Selector Shaft Seal/Man. Shaft

1989-1984
 Seal 8792S
1983-1982
 Seal 240385

4-SPEED MANUAL TRANSAXLE

Differential

1987-1982
 Set SET11

[] Indicates Quantity Required; Set Components Listed Inside Rear Cover;

¹² Opt. Kit includes seal and O ring; kit included w/hub assembly Unit

⁶¹ Kit incl: Seal, Hub Nut, and Bearing

Bearings and Seals

Mfg./Year Model & Location Part No Mfg./Year Model & Location Part No

BUICK - FRONT DRIVE - Skyhawk (cont.)

4-SPEED MANUAL TRANSAXLE

Input Shaft

1987-1982
Seal 3732S
Set SET4
Kwik Slv (Opt Rpr) KWK99106

Output Shaft

1987-1982
Seal 3543[2]
Set SET5[2]
Kwik Slv (Opt Rpr) KWK99139[2]

Selector Shaft Seal/Man. Shaft

1987-1982
Seal 472705
Kwik Slv (Opt Rpr) KWK99058

5-SPEED MANUAL TRANSAXLE

Differential

1989-1983
Bearing Assy 32008XM[2]

Input Shaft

1989-1983
Seal (front) 222835
Bearing Assy (front) 32206M
Bearing Assy (rear) 30306M
Kwik Slv (Opt Rpr) KWK99111

Output Shaft

1989-1983
Seal (LH) 3543
Set (LH) SET5
Kwik Slv (Opt Rpr) (LH) KWK99139
Seal (RH) 3543
Bearing Assy (RH) 32206M
Kwik Slv (Opt Rpr) (RH) KWK99139

Selector Shaft Seal/Man. Shaft

1989-1983
Seal 3667

ALTERNATOR

1989-1987
Bearing (drive end) 203FF
Bearing (rear end) 100CCAB
1986-1983
Bearing (drive end) 203FF
Bearing (rear end) MNJ471S
1982
Bearing (drive end) 203S
Bearing (rear end) MNJ471S

POWER STEERING

Pump Shaft

1989-1982
Seal 221925

Worm Shaft

1989-1982 exc. H.D. and Touring suspension
Seal 222510

CAMSHAFT SEAL

4 Cylinder

1988-1987 122/2.0L
Seal Viton 1108
Kwik Slv (Opt Rpr) KWK99139
1986-1982 112/1.8L: J /turbo; or 0 engine
code
Seal Viton 1108
Kwik Slv (Opt Rpr) KWK99139

CRANKSHAFT FRONT SEAL

4 Cylinder

1989-1983 122/2.0L
Seal 9845
Kwik Slv (Opt Rpr) KWK99176
1986-1982 112/1.8L: J /turbo
Seal Viton 710164
Kwik Slv (Opt Rpr) KWK99128
1983-1982 112/1.8L
Seal 9845
Kwik Slv (Opt Rpr) KWK99176

CRANKSHAFT REAR SEAL

4 Cylinder

1989-1983 122/2.0L 2nd design 11mm width
with casting O on RR of cyl case
Seal 4307V
Seal PTFE H/D Opt 5273
Kwik Slv (Opt Rpr) KWK99298
1988-1987 122/2.0L M and K
Seal Viton 710237
1986-1982 112/1.8L: J /turbo; or 0 engine
code
Seal Viton 710232
1984-1983 122/2.0L 1st design 5.5mm width
Seal 5210
1982 112/1.8L G engine code 1st
design 5.5mm thick
Seal 5210
1982 112/1.8L G engine code 2nd
design 11mm thick
Seal 4307V
Seal PTFE H/D Opt 5273
Kwik Slv (Opt Rpr) KWK99298

BUICK - FRONT DRIVE - Skylark, Somerset, Somerset Regal

FRONT WHEEL

1989-1985	
Hub Assy	513017K[2] ⁶¹
Seal Kit	5697 ¹²
1984-1980	
Hub Assy	513011K[2] ⁶¹
Seal Kit	5699 ¹²

REAR WHEEL

1989-1980 non-ABS brakes	
Hub Assy	513012[2]

CLUTCH

Pilot Bearing

1987-1980	
Bushing	PB650

Release Bearing

1989-1988	5-speed: 4-cylinder: Quad4 engine
Bearing Assy	614069
1987-1985	5-speed: 4-cylinder: exc. Quad4 engine
Bearing Assy	614108
1987-1985	5-speed: 6-cylinder
Bearing Assy	614069
1984-1980	4-speed
Bearing Assy	614009

3-SPEED AUTOMATIC TRANSAXLE

Torque Converter

1989-1980	
Seal	4072N

Output Shaft

1989-1980	
Seal	3543[2]
Kwik Slv (Opt Rpr)	KWK99139[2]

Selector Shaft Seal/Man. Shaft

1989-1980	
Seal	8792S

4-SPEED MANUAL TRANSAXLE

Differential

1985-1980	
Set	SET11

Input Shaft

1985-1980	
Seal (front)	3732S
Set (front)	SET4
Cone/Cup (rear)	15101-15245

4-SPEED MANUAL TRANSAXLE

Output Shaft

1985-1980	
Seal (LH)	3543
Set (LH)	SET5
Seal (RH)	3543
Cone/Cup (RH)	15101-15245

Selector Shaft Seal/Man. Shaft

1985-1980	
Seal	3667

5-SPEED MANUAL TRANSAXLE

Differential

1987-1985	
Bearing Assy	32008XM[2]

Input Shaft

1987-1985	
Seal (front)	222835
Bearing Assy (front)	32206M
Bearing Assy (rear)	30306M
Kwik Slv (Opt Rpr)	KWK99111

Output Shaft

1987-1985	
Seal	3543[2]
Set	SET5[2]
Kwik Slv (Opt Rpr)	KWK99139[2]

Selector Shaft Seal/Man. Shaft

1987-1985	
Seal	3667

ALTERNATOR

1989-1980	
Bearing (drive end)	203FF
Bearing (rear end)	100CCAB

CRANKSHAFT REAR SEAL

4 Cylinder

1989-1988	138/2.3L
Seal	40375
1989-1980	151/2.5L
Seal	3698

6 Cylinder

1989	204/3.3L
Seal Viton	320691
Kwik Slv (Opt Rpr)	KWK99328
1988-1985	181/3.0L
Seal	5591
Seal PTFE H/D Opt.	5291
1985-1980	173/2.8L
Seal	5210

[] Indicates Quantity Required; Set Components Listed Inside Rear Cover;

¹² Opt. Kit includes seal and O ring; kit included w/hub assembly Unit

⁶¹ Kit incl: Seal, Hub Nut, and Bearing

Bearings and Seals

Mfg./Year Model & Location Part No Mfg./Year Model & Location Part No

BUICK - FRONT DRIVE - Skylark, Somerset, Somerset Regal (cont.)

TIMING COVER

4 Cylinder

1989-1988 138/2.3L
 Seal Viton 320259
 Kwik Slv (Opt Rpr)KWK99199
1989-1980 151/2.5L
 Seal 9845
 Kwik Slv (Opt Rpr)KWK99176

6 Cylinder

1989 204/3.3L
 Seal Viton 710162
 Kwik Slv (Opt Rpr)KWK99193

TIMING COVER (cont.)

6 Cylinder (cont.)

1988-1985 181/3.0L
 Seal Viton 710162
 Kwik Slv (Opt Rpr)KWK99193
1985-1980 173/2.8L
 Seal 9845
 Kwik Slv (Opt Rpr)KWK99176

BUICK - REAR DRIVE - Electra, Estate Wagon, LeSabre, Riviera, Wildcat, 40, 50, 60, 70, 90, Special

FRONT WHEEL

1989-1977
 Seal (inner) 8871[2]
 Set (inner)SET6
 Set (outer)SET3
1978 LeSabre: 11" rotor
 Seal (inner) 8871[2]
 Set (inner)SET6
 Set (outer)SET2
1978 LeSabre: 12" rotor
 Seal (inner) 8871[2]
 Set (inner)SET6
 Set (outer)SET3
1976-1971
 Seal (inner) 8871[2]
 Set (inner)SET5
 Set (outer)SET3
1970-1961
 Seal (inner) 331301N[2]
 Set (inner)SET5
 Set (outer)SET3
1960-1958
 Seal (inner) 6950N[2]
 Bearing (inner)B66[2]
 Bearing (outer) B73[2]
1957
 Seal (inner) 6950N[2]
 Bearing (inner)B66[2]
 Bearing (outer) B25[2]
1956-1941
 Seal (inner) 6118[2]
 Bearing (inner)B62[2]
 Bearing (outer) B65[2]
1940-1937
 Bearing (inner)B52[2]
 Bearing (outer) B67[2]

REAR WHEEL

1989-1977 Estate Wagon 8.75" ring gear
 Seal 8835S[2]
 Cyl. Bearing 6408[2]
 Kit TRP1559TV[2]¹⁹
1985-1982 LeSabre
 Seal 8660S[2]
 Cyl. Bearing 5707[2]
 Kit TRP1563TAV[2]¹⁹
1984-1982 Electra
 Seal 8660S[2]
 Cyl. Bearing 5707[2]
 Kit TRP1563TAV[2]¹⁹
1981-1980 Electra 8.5", 8.875" ring gear
 Pontiac (P) axle
 Seal 8835S[2]
 Cyl. Bearing 6408[2]
 Kit TRP1559TV[2]¹⁹
1981-1980 Electra 7.5", 8.5" ring gears
 Chevrolet (C) axle
 Seal 8660S[2]
 Cyl. Bearing 5707[2]
 Kit TRP1563TAV[2]¹⁹
1981-1977 LeSabre 7.5", 8.5", 8.75" ring
 gears Chevrolet (C) axle
 Seal 8660S[2]
 Cyl. Bearing 5707[2]
 Kit TRP1563TAV[2]¹⁹
1981-1977 LeSabre 8.75" ring gear
 Seal 8835S[2]
 Cyl. Bearing 6408[2]
 Kit TRP1559TV[2]¹⁹
1981-1977 Estate Wagon 7.5", 8.5", 8.75"
 ring gears Chevrolet (C) axle
 Seal 8660S[2]
 Cyl. Bearing 5707[2]
 Kit TRP1563TAV[2]¹⁹
1979-1977 LeSabre 8.5" ring gear: Buick (B)
 Seal 712146[2]
 Set SET9

34 [] Indicates Quantity Required; Set Components Listed Inside Rear Cover;

¹⁹ Opt. Axle Repair Bearing. Replaces O.E. bearing & seal.

BUICK - REAR DRIVE - Electra, Estate Wagon, LeSabre, Riviera, Wildcat, 40, 50, 60, 70, 90, Special (cont.)

REAR WHEEL (cont.)

1979-1977	Estate Wagon 8.5" ring gear: Buick (B)	
Seal	712146[2]
Set	SET9
1979-1971	Electra 8.5", 8.75", 8.875" ring gear Pontiac (P) axle	
Seal	8835S[2]
Cyl. Bearing	6408[2]
Kit	TRP1559TV[2] ¹⁹
1978-1976	Riviera	
Seal	8835S[2]
Set	SET5
1976	Electra 8.5", 9.375" ring gear Buick (B), Olds (O) axles	
Seal	2689S[2]
Set	SET10
1976	LeSabre	
Seal	2689S[2]
Set	SET10
1976	Estate Wagon	
Seal	2689S[2]
Set	SET10
1975-1971	Estate Wagon	
Seal	8835S[2]
Cyl. Bearing	6408[2]
Kit	TRP1559TV[2] ¹⁹
1975-1971	Riviera	
Seal	2689S[2]
Set	SET10
1975-1971	LeSabre	
Seal	2689S[2]
Cyl. Bearing	6408[2]
1970	Estate Wagon	
Seal	8940S[2]
Bearing	RW508BR[2]
1970	Riviera	
Seal	2689S[2]
Set	SET10
Kit	TRP1559TV[2] ¹⁹
1970-1968	Electra	
Seal	8940S[2]
Bearing	RW508BR[2]
1970-1968	LeSabre	
Seal	8940S[2]
Bearing	RW508BR[2]
1969-1968	Wildcat	
Seal	8940S[2]
Bearing	RW508BR[2]
1969-1968	Riviera with 10 bolt housing cover	
Seal	51098[2]
Bearing	88131R[2]
1969-1968	Electra with 10 bolt housing cover	
Seal	51098[2]
Bearing	88131R[2]
1967	LeSabre 1st design	
Seal	9116S[2]
Bearing	RW507GR[2]
1967	LeSabre 2nd design	
Seal	8940S[2]
Bearing	RW508BR[2]

REAR WHEEL (cont.)

1967	Electra 2nd design	
Seal	8940S[2]
Bearing	RW508BR[2]
1967	Electra 1st design	
Seal	9116S[2]
Bearing	RW507GR[2]
1967-1965	Wildcat	
Seal	51098[2]
Bearing	514003P[2]
1967-1965	Riviera	
Seal	51098[2]
Bearing	514003P[2]
1966-1965	Electra	
Seal	9116S[2]
Bearing	RW507AR[2]
1966-1965	LeSabre	
Seal	8594S[2]
Bearing	RW507GR[2]
1964-1963		
Seal	51098[2]
Bearing	514003P[2]
1962-1956		
Seal	470064[2]
Bearing	RW509FR[2]
1955-1934		
Seal	414045[2]
Cyl. Bearing	R1502EL[2]

REAR AXLE

Differential Rebuild Kit

1989-1971	8.5" ring gear	
Kit	DRK321
1983-1971	8.75" ring gear	
Kit	DRK323
1979-1977	8.875" ring gear	
Kit	DRK323

Differential

1989-1971	7.5", 8.5" ring gears	
Cone/Cup	LM501349-LM501314[2]
1983-1971	8.75" ring gear	
Set	SET36
1970-1966	2nd Design	
Cone/Cup (LH)	25590-25523
Set (RH)	SET36
1966	1st Design	
Set	SET36
1965-1963		
Cone/Cup	25584-25520[2]
1955-1940		
Cone/Cup	17887-17831[2]

[] Indicates Quantity Required; Set Components Listed Inside Rear Cover;
¹⁹ Opt. Axle Repair Bearing. Replaces O.E. bearing & seal.

Bearings and Seals

Mfg./Year Model & Location Part No Mfg./Year Model & Location Part No

BUICK - REAR DRIVE - Electra, Estate Wagon, LeSabre, Riviera, Wildcat, 40, 50, 60, 70, 90, Special (cont.)

REAR AXLE

Pinion

1989-1970	Estate Wagon	
	Cone/Cup (inner)	M802048-M802011
	Seal (outer)	2043
	Cone/Cup (outer)	M88048-M88010
1985-1971	LeSabre	
	Cone/Cup (inner)	M802048-M802011
	Seal (outer)	2043
	Cone/Cup (outer)	M88048-M88010
1984-1976	Electra	
	Cone/Cup (inner)	HM89449-HM89410
	Seal (outer)	8610
	Cone/Cup (outer)	M86649-M86610
1978-1965	Riviera	
	Cone/Cup (inner)	M804049-M804010
	Seal (outer)	2043
	Cone/Cup (outer)	M88048-M88010
1975-1965	Electra	
	Cone/Cup (inner)	M804049-M804010
	Seal (outer)	2043
	Cone/Cup (outer)	M88048-M88010
1970-1968	LeSabre	
	Cone/Cup (inner)	M804049-M804010
	Seal (outer)	8620N
	Cone/Cup (outer)	M86649-M86610
1967-1965	LeSabre	
	Cone/Cup (inner)	HM89449-HM89410
	Seal (outer)	8620N
	Cone/Cup (outer)	M86649-M86610
1962-1955		
	Cone/Cup (inner)	M802048-M802011
	Seal (outer)	8620N
	Cone/Cup (outer)	HM89446-HM89410

AUTOMATIC TRANSMISSION

Torque Converter

1968	Super Turbine 300	
	Seal	6712NA
	Kwik Slv (Opt Rpr)	KWK99187

Rear Seal/Ext. Housing

1968	Super Turbine 300	
	Seal	9613S
	Seal Kit Opt.	5200 ⁶⁴

3-SPEED AUTOMATIC TRANSMISSION

Torque Converter

1984-1982	Estate Wagon, LeSabre THM200, 200C	
	Seal	3227
	Kwik Slv (Opt Rpr)	KWK99174
1984-1965	Electra, Estate Wagon, LeSabre, THM250C, 250, 325, 350, 350C, 375, 400	
	Seal	6712NA
	Kwik Slv (Opt Rpr)	KWK99187

3-SPEED AUTOMATIC TRANSMISSION (cont.)

Torque Converter (cont.)

1978-1965	Riviera, THM400	
	Seal	3227
	Kwik Slv (Opt Rpr)	KWK99174
1963-1946	Flight-Pitch, Dyna Flow	
	Seal	451147H
	Kwik Slv (Opt Rpr)	KWK99174

Rear Seal/Ext. Housing

1987-1964	Electra, Estate Wagon, LeSabre, THM200, 200C, 250C, 350, 350C	
	Seal	9613S
	Seal Kit Opt.	5200 ⁶⁴
1981-1971	Electra, Estate Wagon, LeSabre, THM375, 400	
	Seal	9449
	Seal Kit Opt.	5208 ⁶⁴
1980	Estate Wagon, LeSabre, THM250	
	Seal	3907
1978-1965	Riviera, THM400	
	Seal	9613S
	Seal Kit Opt.	5200 ⁶⁴
1964-1934	Dynaflow, Flight-Pitch	
	Seal	470774
	Bearing	206S
	Seal Kit Opt.	5200 ⁶⁴

Selector Shaft Seal/Man. Shaft

1987-1934		
	Seal	8792S

4-SPEED AUTOMATIC TRANSMISSION

Torque Converter

1989-1982	Electra, Estate Wagon, LeSabre, with overdrive, THM2004R	
	Seal	3227
	Kwik Slv (Opt Rpr)	KWK99174
1984-1982	Electra, Estate Wagon, LeSabre, without overdrive, THM350RL	
	Seal	3227
	Kwik Slv (Opt Rpr)	KWK99174

Rear Seal/Ext. Housing

1989-1982	Electra, Estate Wagon, LeSabre, without overdrive, THM350RL	
	Seal (rear)	9613S
1989-1982	Electra, Estate Wagon, LeSabre, with overdrive, THM2004R	
	Seal (rear)	9613S

Mfg./Year Model & Location Part No Mfg./Year Model & Location Part No

BUICK - REAR DRIVE - Electra, Estate Wagon, LeSabre, Riviera, Wildcat, 40, 50, 60, 70, 90, Special (cont.)

4-SPEED AUTOMATIC TRANSMISSION

Selector Shaft Seal/Man. Shaft

1989-1982 Electric, Estate Wagon, LeSabre
Seal 8792S

CLUTCH

Pilot Bearing

1971-1957
Bushing H/D PB656HD
1956-1934
Bearing 7109

Release Bearing

1977-1976 231 engine
Bearing Assy 1377C
1975 455 engine
Bearing Assy 614018⁴²
1974-1968 250, 350 engine
Bearing Assy 614037⁴²
1973-1967 400, 455
Bearing Assy 614018⁴²
1967-1964 225, 300, 340 engine
Bearing Assy 1377C
1963-1961 400, 430, 455 engine
Bearing Assy 614018⁴²
1960-1956
Bearing Only B1505C
1955-1939
Bearing Only B1505C

GENERATOR / ALTERNATOR

1989-1980
Bearing (drive end) 203F
Bearing (rear end) MNJ471S
1979-1972
Bearing (drive end) 203S
Bearing (rear end) MNJ471S
1971-1963
Bearing (drive end) 203F
Bearing (rear end) 203F
1962-1961
Bearing (drive end) 203AB
Bearing (rear end) 203F

POWER STEERING

Pitman Shaft

1989-1957
Seal (inner) 471413
Seal (outer) 7412S
Seal Kit Opt. PSK1²⁴
1956-1952
Seal 352560

Pump Shaft

1989-1958
Seal 7013S

POWER STEERING (cont.)

Pump Shaft (cont.)

1957
Bearing (inner) 201AB
Seal (outer) 8059S
Bearing (outer) 203AB
1956-1953
Bearing (inner) 201AB
Seal (outer) 8059S
Bearing (outer) WC87504

Worm Shaft

1989-1980
Seal 222025
1979-1952
Seal 351267

MANUAL STEERING

Pitman Shaft

1975-1959 2nd Design
Seal 313842
1959-1937 1st Design
Seal 352560

Worm Shaft

1975-1959
Seal 474131
1958-1946
Seal 474131

CRANKSHAFT REAR SEAL

6 Cylinder

1985-1976 231/3.8L
Seal 5591
Seal PTFE H/D Opt. 5291
1984-1980 252/4.1L
Seal 5591
Seal PTFE H/D Opt. 5291

8 Cylinder

1989-1988 307/5.0L
Seal Rope 5095
1987-1981 307/5.0L
Seal Rope 5095
1985-1980 350/5.7L Diesel
Seal Rope 5095
1980-1977 350/5.7L engine code (L)
Seal 5092
1980-1977 301/4.9
Seal 5073
1980-1968 350/5.7L
Seal 5591
Seal PTFE H/D Opt. 5291
1979-1977 403/6.6L
Seal Rope 5095
1978 305/5.0L
Seal 5092

[] Indicates Quantity Required; Set Components Listed Inside Rear Cover;

²⁴ Opt. Kit incl. seals 5683 & 5684. Not sold separately

⁴² Sealed Self-Aligning Bearing

Bearings and Seals

Mfg./Year Model & Location Part No Mfg./Year Model & Location Part No

BUICK - REAR DRIVE - Electra, Estate Wagon, LeSabre, Riviera, Wildcat, 40, 50, 60, 70, 90, Special (cont.)

CRANKSHAFT REAR SEAL (cont.)

8 Cylinder (cont.)

1976-1970	455 engine	
Seal	5591
Seal PTFE H/D Opt.	5291
1969-1968	430 engine	
Seal	5591
Seal PTFE H/D Opt.	5291

TIMING COVER

6 Cylinder

1985-1976	231/3.8L	
Seal	710163
1984-1980	252/4.1L	
Seal	471424
Kwik Slv (Opt Rpr)	KWK99199

8 Cylinder

1989-1981	307/5.0L	
Seal	472082
Kwik Slv (Opt Rpr)	KWK99199
1985-1980	350/5.7L Diesel	
Seal	472082
Kwik Slv (Opt Rpr)	KWK99199

TIMING COVER (cont.)

8 Cylinder (cont.)

1980-1977	301/4.9	
Seal	332062
Kwik Slv (Opt Rpr)	KWK99186
1980-1968	350/5.7L	
Seal	710173
Kwik Slv (Opt Rpr)	KWK99196
1979-1977	403/6.6L	
Seal	472082
Kwik Slv (Opt Rpr)	KWK99199
1978	305/5.0L	
Seal	9845
Kwik Slv (Opt Rpr)	KWK99176
1976-1970	455 engine	
Seal	710163
Kwik Slv (Opt Rpr)	KWK99176
1969-1968	430 engine	
Seal	710163
Kwik Slv (Opt Rpr)	KWK99176

BUICK - REAR DRIVE - Regal

FRONT WHEEL

1987-1982		
Seal (inner)	8871[2]
Set (inner)	SET6
Set (outer)	SET34
1981-1973		
Seal (inner)	8871[2]
Set (inner)	SET6
Set (outer)	SET3

REAR WHEEL

1987-1978		
Seal	8660S[2]
Cyl. Bearing	5707[2]
Kit	TRP1563TAV[2] ¹⁹
1977-1976	with 8.50" ring gear Chevy (C) axle	
Seal	8660S[2]
Cyl. Bearing	5707[2]
Kit	TRP1563TAV[2] ¹⁹
1977-1976	with 8.50" ring gear Buick (B) axle	
Seal	712146[2]
Set	SET9
1976	with 8.875" ring gear	
Seal	8835S[2]
Cyl. Bearing	6408[2]
Kit	TRP1559TV[2] ¹⁹

REAR WHEEL (cont.)

1975-1973	with Buick (B), Olds (O) axles	
Seal	712146[2]
Set	SET9
1974-1973	with Pontiac (P) axles	
Seal	8835S[2]
Cyl. Bearing	6408[2]
Kit	TRP1559TV[2] ¹⁹
1973	with C, G, K, W, axles	
Seal	8660S[2]
Cyl. Bearing	5707[2]
Kit	TRP1563TAV[2] ¹⁹

REAR AXLE

Differential Rebuild Kit

1987-1982	7.5" ring gear	
Kit	DRK320
1979-1971	8.5" ring gear	
Kit	DRK321
1977	8.75", 8.875" ring gears	
Kit	DRK323

Differential

1987-1978	with 7.50" ring gear	
Cone/Cup	LM501349-LM501314[2]
1987-1976	with 8.50" ring gear	
Cone/Cup	LM501349-LM501314[2]
1977-1976	with 8.875" ring gear	
Set	SET36

38 [] Indicates Quantity Required; Set Components Listed Inside Rear Cover;

¹⁹ Opt. Axle Repair Bearing. Replaces O.E. bearing & seal.

BUICK - REAR DRIVE - Regal (cont.)

REAR AXLE (cont.)

Differential (cont.)

1975	without Pontiac (P) axle	
	Cone/Cup	LM501349-LM501314[2]
1975-1973	with Pontiac (P) axles	
	Set	SET36
1974-1973	with Buick (B), Olds (O) axles	
	Cone/Cup	LM501349-LM501314[2]

Pinion

1987-1980	7.5", 7.625" ring gears	
	Cone/Cup (inner)	HM89249-HM89210
	Seal (outer)	8610
	Cone/Cup (outer)	M86649-M86610
1979-1973	7.5" ring gear	
	Cone/Cup (inner)	HM89449-HM89410
	Seal (outer)	8610
	Cone/Cup (outer)	M86649-M86610
1979-1973	8.5", 8.75" ring gears	
	Cone/Cup (inner)	M802048-M802011
	Seal (outer)	2043
	Cone/Cup (outer)	M88048-M88010
1976-1973	8.875" ring gear	
	Cone/Cup (inner)	M804049-M804010
	Seal (outer)	2043
	Cone/Cup (outer)	M88048-M88010

3-SPEED AUTOMATIC TRANSMISSION

Torque Converter

1987-1975	THM200	
	Seal	3227
	Kwik Slv (Opt Rpr)	KWK99174
1987-1964	THM350, THM400, THM350C	
	Seal	6712NA
	Kwik Slv (Opt Rpr)	KWK99187

Rear Seal/Ext. Housing

1987-1973	THM200 THM350 THM350C	
	Seal	9613S
	Seal Kit Opt.	5200 ⁶⁴
1978-1973	THM400: 1.890" shaft	
	Seal	9449
	Seal Kit Opt.	5208 ⁶⁴
1977-1973	THM400: 1.687" shaft	
	Seal	7038SA
	Seal Kit Opt.	5205 ⁶⁴

Selector Shaft Seal/Man. Shaft

1987-1973	
	Seal

4-SPEED AUTOMATIC TRANSMISSION

Torque Converter

1987-1983	THM2004R	
	Seal	3227
	Kwik Slv (Opt Rpr)	KWK99174

4-SPEED AUTOMATIC TRANSMISSION

Rear Seal/Ext. Housing

1987-1983	THM2004R	
	Seal (rear)	9613S
	Seal Kit Opt.	5200 ⁶⁴

Selector Shaft Seal/Man. Shaft

1987-1983	
	Seal

CLUTCH

Pilot Bearing

1981-1973	
	Bushing
	Bushing H/D

Release Bearing

1981-1975	231 engine	
	Bearing Assy	614018 ⁴²
1977-1975	350/5.7L	
	Bearing Assy	1377C
1974-1973	350/5.7L	
	Bearing Assy	614037 ⁴²
1974-1973	455 engine	
	Bearing Assy	614018 ⁴²

3-SPEED MANUAL TRANSMISSION

Front Input Shaft

1981-1973	
	Seal

Rear Output Shaft

1981-1973	
	Seal

Selector Shaft Seal/Man. Shaft

1981-1973	
	Seal
	Kwik Slv (Opt Rpr)

4-SPEED MANUAL TRANSMISSION

Input Shaft

1979-1978	
	Seal
	Bearing

Rear Output Shaft

1979-1978	
	Seal
	Bearing

Selector Shaft Seal/Man. Shaft

1979-1978	
	Seal
	Kwik Slv (Opt Rpr)

[] Indicates Quantity Required; Set Components Listed Inside Rear Cover;
⁴² Sealed Self-Aligning Bearing ⁶⁴ Opt. Seal and Bushing Kit

Bearings and Seals

Mfg./Year	Model & Location	Part No	Mfg./Year	Model & Location	Part No
-----------	------------------	---------	-----------	------------------	---------

BUICK - REAR DRIVE - Regal (cont.)

GENERATOR / ALTERNATOR

1981-1980	
Bearing (drive end)	203F
Bearing (rear end)	MNJ471S
1979-1973	
Bearing (drive end)	203S
Bearing (rear end)	MNJ471S

POWER STEERING

Pitman Shaft

1987-1973 800 Gear with 4 bolt side cover	
Seal (inner)	471413
Seal (outer)	7412S
Seal Kit Opt.	PSK1 ²⁴
1981-1978 605 Gear with round side cover	
Seal	710285

Pump Shaft

1981-1973	
Seal	7013S

Worm Shaft

1981-1978 605 Gear with round side cover	
Seal	351267
1979-1976 800 Gear with 4 bolt side cover	
Seal	351267

CRANKSHAFT REAR SEAL

6 Cylinder

1987-1975 231/3.8L	
Seal	5591
Seal PTFE H/D Opt.	5291
1985-1982 260/4.3 diesel	
Seal Rope	5095
1984-1982 252/4.1L	
Seal	5591
Seal PTFE H/D Opt.	5291
1980-1979 301/4.9	
Seal	5591
Seal PTFE H/D Opt.	5291

8 Cylinder

1987-1986 307/5.0L	
Seal Rope	5095
1985-1977 305/5.0L	
Seal	5092
1983-1981 350/5.7L Diesel	
Seal Rope	5095
1982-1981 267/4.4L	
Seal	5092

CRANKSHAFT REAR SEAL (cont.)

8 Cylinder (cont.)

1979-1973 350/5.7L	
Seal	5092
1977-1976 403/6.6L	
Seal Rope	5095
1974-1973 455 engine	
Seal Rope	5095

TIMING COVER

6 Cylinder

1987-1986 231/3.8L	
Seal Viton	710162
1985-1982 260/4.3 diesel	
Seal	9845
Kwik Slv (Opt Rpr)	KWK99196
1985-1975 231/3.8L	
Seal	710163
1984-1982 252/4.1L	
Seal	471424
Kwik Slv (Opt Rpr)	KWK99199
1980-1979 301/4.9	
Seal	710163

8 Cylinder

1987-1986 307/5.0L	
Seal	472082
Kwik Slv (Opt Rpr)	KWK99199
1985-1977 305/5.0L	
Seal	9845
1983-1981 350/5.7L Diesel	
Seal	472082
Kwik Slv (Opt Rpr)	KWK99199
1982-1981 267/4.4L	
Seal	9845
Kwik Slv (Opt Rpr)	KWK99176
1979-1973 350/5.7L	
Seal	9845
Kwik Slv (Opt Rpr)	KWK99176
1977-1976 403/6.6L	
Seal	472082
Kwik Slv (Opt Rpr)	KWK99199
1974-1973 455 engine	
Seal	710163

BUICK - REAR DRIVE - Century, GS, Skylark Gran Sport, Skylark, Special, Sportswagon

FRONT WHEEL

1981-1979	
Seal (inner)	8871[2]
Set (inner)	SET6
Set (outer)	SET3
1978-1973	
Seal (inner)	8871[2]
Set (inner)	SET6
Set (outer)	SET2
1972-1964	
Seal (inner)	8705S[2]
Set (inner)	SET6
Set (outer)	SET2
1965-1963	
Seal (inner)	7607[2]
Set (inner)	SET6
Set (outer)	SET2

REAR WHEEL

1981-1978	
Seal	8660S[2]
Cyl. Bearing	5707[2] ¹⁹
Kit	TRP1563TAV[2] ¹⁹
1977-1976	Century with 8.50" ring gear Buick (B) axle
Seal	712146[2]
Set	SET9
1977-1976	Century with 8.50" ring gear Chevy (C) axle
Seal	8660S[2]
Cyl. Bearing	5707[2]
Kit	TRP1563TAV[2] ¹⁹
1976	Century with 8.875" ring gear
Seal	8835S[2]
Cyl. Bearing	6408[2]
Kit	TRP1559TV[2] ¹⁹
1975-1973	Century, with Buick (B), Olds (O) axles
Seal	712146[2]
Set	SET9
1975-1970	Skylark
Seal	712146[2]
Set	SET9
1974-1973	Century, with Pontiac (P) axles
Seal	8835S[2]
Cyl. Bearing	6408[2]
Kit	TRP1559TV[2] ¹⁹
1973	Century with C, G, K, W, axles
Seal	8660S[2]
Cyl. Bearing	5707[2]
Kit	TRP1563TAV[2] ¹⁹
1972-1970	Sportswagon
Seal	8835S[2]
Cyl. Bearing	6408[2]
Kit	TRP1559TV[2] ¹⁹
1972-1969	GS with 12 bolt housing cover
Seal	8660S[2]
Cyl. Bearing	5707[2]
Kit	TRP1563TAV[2] ¹⁹

REAR WHEEL (cont.)

1970-1968	Skylark series cars with 12 bolt axle housing cover
Seal	8660S[2]
Cyl. Bearing	5707[2]
Kit	TRP1563TAV[2] ¹⁹
1970-1968	Sportswagon series cars with 12 bolt axle housing cover
Seal	8660S[2]
Cyl. Bearing	5707[2]
Kit	TRP1563TAV[2] ¹⁹
1969	Sportswagon
Seal	2689S[2]
Set	SET10
1969	Skylark
Seal	712146[2]
Set	SET9
1969	Special
Seal	2146[2]
Set	SET9
1969-1968	Special series cars with 12 bolt axle housing cover
Seal	8660S[2]
Cyl. Bearing	5707[2]
Kit	TRP1563TAV[2] ¹⁹
1968	GS
Seal	8594S[2]
Bearing	RW507GR[2]
1968-1966	Sportswagon
Seal	8594S[2]
Bearing	RW507GR[2]
1968-1965	Skylark
Seal	8594S[2]
Bearing	RW507CR[2]
1968-1965	Special
Seal	8594S[2]
Bearing	RW507CR[2]
1967-1966	Skylark Gran Sport
Seal	8594S[2]
Bearing	RW507GR[2]

REAR AXLE

Differential Rebuild Kit

1982-1981	7.5" ring gear
Kit	DRK320
1979-1971	8.5" ring gear
Kit	DRK321
1977	8.75", 8.875" ring gears
Kit	DRK323

Differential

1981-1978	Century with 7.5" ring gear
Cone/Cup	LM501349-LM501314[2]
1979-1973	Skylark
Cone/Cup	LM501349-LM501314[2]
1977-1976	Century with 8.50" ring gear
Cone/Cup	LM501349-LM501314[2]
1977-1976	Century with 8.875" ring gear
Set	SET36

[] Indicates Quantity Required; Set Components Listed Inside Rear Cover;
¹⁹ Opt. Axle Repair Bearing. Replaces O.E. bearing & seal.

Bearings and Seals

Mfg./Year Model & Location Part No Mfg./Year Model & Location Part No

BUICK - REAR DRIVE - Century, GS, Skylark Gran Sport, Skylark, Special, Sportswagon (cont.)

REAR AXLE (cont.)

Differential (cont.)

1975	Century without Pontiac (P) axle	
	Cone/Cup	LM501349-LM501314[2]
1975-1973	Century with Pontiac (P) axle	
	Set	SET36
1974-1973	Century, with Buick (B), Olds (O) axles	
	Set	SET45
1972-1971		
	Cone/Cup	LM501349-LM501314[2]
1970-1968	without 12 bolt axle housing cover	
	Set (LH)	SET36
	Cone/Cup (RH)	LM501349-LM501314
1970-1968	with 12 bolt axle housing cover	
	Set	SET36
1967-1965		
	Cone/Cup	LM501349-LM501314[2]

Pinion

1981-1980	Century with 7.5" ring gear, 3.125" bearing O.D.	
	Cone/Cup (inner)	HM89249-HM89210
	Seal (outer)	8610
	Cone/Cup (outer)	M86649-M86610
1981-1978	Century with 7.5" ring gear, 3.00" bearing O.D.	
	Cone/Cup (inner)	HM89449-HM89410
	Seal (outer)	8610
	Cone/Cup (outer)	M86649-M86610
1979-1976	Skylark with 7.50" ring gear	
	Cone/Cup (inner)	HM89449-HM89410
	Seal (outer)	8610
	Cone/Cup (outer)	M86649-M86610
1979-1975	Skylark with 8.50" ring gear	
	Cone/Cup (inner)	M802048-M802011
	Seal (outer)	2043
	Cone/Cup (outer)	M88048-M88010
1978-1973	Century with 8.50", 8.75" ring gear	
	Cone/Cup (inner)	M802048-M802011
	Seal (outer)	2043
	Cone/Cup (outer)	M88048-M88010
1975-1973	Century with 8.75", 9.375" ring gear	
	Cone/Cup (inner)	M804049-M804010
	Seal (outer)	2043
	Cone/Cup (outer)	M88048-M88010
1972-1971	Sportswagon	
	Cone/Cup (inner)	M802048-M802011
	Seal (outer)	2043
	Cone/Cup (outer)	M88048-M88010
1972-1971	GS	
	Cone/Cup (inner)	M802048-M802011
	Seal (outer)	2043
	Cone/Cup (outer)	M88048-M88010

REAR AXLE (cont.)

Pinion (cont.)

1972-1971	Skylark	
	Cone/Cup (inner)	M802048-M802011
	Seal (outer)	2043
	Cone/Cup (outer)	M88048-M88010
1970-1968	Sportswagon with 12 bolt housing cover	
	Cone/Cup (inner)	M802048-M802011
	Seal (outer)	8460N
	Cone/Cup (outer)	M88048-M88010
1970-1968	GS with 12 bolt housing cover	
	Cone/Cup (inner)	M802048-M802011
	Seal (outer)	8460N
	Cone/Cup (outer)	M88048-M88010
1970-1968	Skylark with 12 bolt axle housing cover	
	Cone/Cup (inner)	M802048-M802011
	Seal (outer)	8460N
	Cone/Cup (outer)	M88048-M88010
1970-1968	GS except with 12 bolt housing cover	
	Cone/Cup (inner)	M804049-M804010
	Seal (outer)	2043
	Cone/Cup (outer)	M86649-M86610
1970-1966	Sportswagon except 12-bolt housing cover	
	Cone/Cup (inner)	M804049-M804010
	Seal (outer)	2043
	Cone/Cup (outer)	M86649-M86610
1970-1965	Skylark except 12-bolt housing cover	
	Cone/Cup (inner)	M804049-M804010
	Seal (outer)	2043
	Cone/Cup (outer)	M86649-M86610
1969-1968	Special with 12 bolt axle housing cover	
	Cone/Cup (inner)	M802048-M802011
	Seal (outer)	8460N
	Cone/Cup (outer)	M88048-M88010
1969-1965	Special except 12-bolt housing cover	
	Cone/Cup (inner)	M804049-M804010
	Seal (outer)	2043
	Cone/Cup (outer)	M86649-M86610
1967-1966	Skylark Gran Sport except 12 bolt housing cover	
	Cone/Cup (inner)	M804049-M804010
	Seal (outer)	2043
	Cone/Cup (outer)	M86649-M86610

AUTOMATIC TRANSMISSION

Torque Converter

1969-1965	Super Turbine 300	
	Seal	6712NA
	Kwik Slv (Opt Rpr)	KWK99187

BUICK - REAR DRIVE - Century, GS, Skylark Gran Sport, Skylark, Special, Sportswagon (cont.)

AUTOMATIC TRANSMISSION

Output Shaft

1969-1965 Super Turbine 300	
Seal	9613S

3-SPEED AUTOMATIC TRANSMISSION

Torque Converter

1981-1975 THM200	
Seal	3227
Kwik Slv (Opt Rpr)	KWK99174
1981-1965 THM350, THM400, THM350C	
Seal	6712NA
Kwik Slv (Opt Rpr)	KWK99187

Rear Seal/Ext. Housing

1981-1969 THM200 THM350 THM350C	
Seal	9613S
Seal Kit Opt.	5200 ⁶⁴
1978-1965 THM400: 1.890" shaft	
Seal	9449
Seal Kit Opt.	5208 ⁶⁴
1977-1965 THM400: 1.687" shaft	
Seal	7038SA
Seal Kit Opt.	5205 ⁶⁴

Selector Shaft Seal/Man. Shaft

1981-1965	
Seal	8792S

CLUTCH

Pilot Bearing

1981-1965	
Bushing	PB656
Bushing H/D	PB656HD

Release Bearing

1981-1975 231 engine	
Bearing Assy	614126
1974-1968 250, 350 engine	
Bearing Assy	614037 ⁴²
1974-1967 400, 455	
Bearing Assy	614018 ⁴²
1973 4 speed with 455	
Bearing Assy	614018 ⁴²
1967-1965 225, 300, 340 engine	
Bearing Assy	1377C

3-SPEED MANUAL TRANSMISSION

Front Input Shaft

1981-1966	
Seal	7412S

3-SPEED MANUAL TRANSMISSION

Rear Output Shaft

1981-1965	
Seal	9613S

Selector Shaft Seal/Man. Shaft

1981-1965	
Seal	240735
Kwik Slv (Opt Rpr)	KWK99078

4-SPEED MANUAL TRANSMISSION

Input Shaft

1979-1978	
Seal	7412S
Bearing	207SL

Rear Output Shaft

1979-1978	
Seal	9613S
Bearing	306SLV

Selector Shaft Seal/Man. Shaft

1979-1978	
Seal	240735
Kwik Slv (Opt Rpr)	KWK99078

GENERATOR / ALTERNATOR

1981-1980	
Bearing (drive end)	203F
Bearing (rear end)	MNJ471S
1979-1972	
Bearing (drive end)	203S
Bearing (rear end)	MNJ471S
1971-1965	
Bearing (drive end)	203F
Bearing (rear end)	203F

POWER STEERING

Pitman Shaft

1981-1978 605 Gear with round side cover	
Seal	710285
1981-1965 800 Gear with 4 bolt side cover	
Seal (inner)	471413
Seal (outer)	7412S
Seal Kit	PSK1 ²⁴

Pump Shaft

1981-1965	
Seal	7013S

Worm Shaft

1981-1978 605 Gear with round side cover	
Seal	351267
1979-1976 800 Gear with 4 bolt side cover	
Seal	351267

[] Indicates Quantity Required; Set Components Listed Inside Rear Cover;

²⁴ Opt. Kit incl. seals 5683 & 5684. Not sold separately

⁴² Sealed Self-Aligning Bearing

⁶⁴ Opt.

Bearings and Seals

Mfg./Year Model & Location Part No Mfg./Year Model & Location Part No

BUICK - REAR DRIVE - Century, GS, Skylark Gran Sport, Skylark, Special, Sportswagon (cont.)

MANUAL STEERING

Pitman Shaft

1981-1965
Seal 313842

Worm Shaft

1981-1965
Seal 7013S

CRANKSHAFT REAR SEAL

6 Cylinder

1981-1975 231/3.8L
Seal 5591
1971-1968 250 engine
Seal 5092

8 Cylinder

1983-1981 350/5.7L Diesel
Seal 5591
1981-1977 305/5.0L
Seal 5591
1981-1977 350/5.7L engine code (L)
Seal 5591
1981-1968 350/5.7L
Seal 5591
1969-1968 400 engine
Seal 5591

TIMING COVER

6 Cylinder

1981-1975 231/3.8L
Seal 710163
1974-1968 250 engine
Seal 9845
Kwik Slv (Opt Rpr) KWK99176

8 Cylinder

1983-1981 350/5.7L Diesel
Seal 472082
Kwik Slv (Opt Rpr) KWK99199
1981-1977 305/5.0L
Seal 9845
Kwik Slv (Opt Rpr) KWK99176
1979-1968 350/5.7L
Seal 710173
Kwik Slv (Opt Rpr) KWK99196
1969-1968 400 engine
Seal 710163

BUICK - REAR DRIVE - Skyhawk

FRONT WHEEL

1980-1975
Seal (inner) 8705S[2]
Set (inner) SET6
Set (outer) SET1

REAR WHEEL

1980-1975
Seal 8660S[2]
Cyl. Bearing 5707[2]
Kit TRP1563TAV[2]¹⁹

REAR AXLE

Differential Rebuild Kit

1980-1975 7.5" ring gear
Kit DRK320

Differential

1980-1975
Cone/Cup LM501349-LM501314[2]

REAR AXLE

Pinion

1980-1977
Cone/Cup (inner) HM88649A-HM88610
Seal (outer) 8610
Cone/Cup (outer) M86649-M86610
1976-1975
Cone/Cup (inner) HM88649A-HM88610
Seal (outer) 8611N
Cone/Cup (outer) M86649-M86610

3-SPEED AUTOMATIC TRANSMISSION

Torque Converter

1980-1975 THM350, 350C
Seal 6712NA
Kwik Slv (Opt Rpr) KWK99187
1978-1976 THM200
Seal 3227
Kwik Slv (Opt Rpr) KWK99174

44 [] Indicates Quantity Required; Set Components Listed Inside Rear Cover;

¹⁹ Opt. Axle Repair Bearing. Replaces O.E. bearing & seal.

BUICK - REAR DRIVE - Skyhawk (cont.)

3-SPEED AUTOMATIC TRANSMISSION

Rear Seal/Ext. Housing

1980-1975	
Seal	9613S
Seal Kit Opt.	5200 ⁶⁴
Kwik Slv (Opt Rpr)	KWK99149

Selector Shaft Seal/Man. Shaft

1980-1975	
Seal	340847
Kwik Slv (Opt Rpr)	KWK99049

CLUTCH

Pilot Bearing

1980-1975	
Bushing	PB656
Bushing H/D	PB656HD

Release Bearing

1980-1975	
Bearing Assy	614018 ⁴²

4-SPEED MANUAL TRANSMISSION

Input Shaft

1980-1975	
Seal	7412S
Bearing	207SLB
Kwik Slv (Opt Rpr)	KWK99125

Rear Output Shaft

1980-1975	
Seal	9613S
Bearing	306SLVB
Seal Kit Opt.	5200 ⁶⁴

Selector Shaft Seal/Man. Shaft

1980-1975	
Seal	240735
Kwik Slv (Opt Rpr)	KWK99076

5-SPEED MANUAL TRANSMISSION

Front Input Shaft

1979-1976	
Seal	9613S
Seal Kit Opt.	5200 ⁶⁴

Rear Output Shaft

1979-1976	
Seal Opt.	9613S
Seal Kit Opt.	5200 ⁶⁴
Kwik Slv (Opt Rpr)	KWK99149

5-SPEED MANUAL TRANSMISSION

Selector Shaft Seal/Man. Shaft

1979-1976	
Seal	312518
Kwik Slv (Opt Rpr)	KWK99078

GENERATOR / ALTERNATOR

1980	
Bearing (drive end)	203F
Bearing (rear end)	MNJ471S
1979-1975	
Bearing (drive end)	203S
Bearing (rear end)	MNJ471S

POWER STEERING

Pitman Shaft

1980-1975 800 Gear with 4 bolt side cover	
Seal (inner)	471413
Seal (outer)	7412S
Seal Kit	PSK1 ²⁴
1977 605 Gear with round side cover	
Seal	710285

Pump Shaft

1980-1975	
Seal	480821

Worm Shaft

1980-1975 800 Gear with 4 bolt side cover	
Seal	351267
1977 605 Gear with round side cover	
Seal	351267

MANUAL STEERING

Pitman Shaft

1980-1975	
Seal	313842

Worm Shaft

1980-1975	
Seal	7013S

CRANKSHAFT REAR SEAL

6 Cylinder

1980-1975 231/3.8L	
Seal	5591

TIMING COVER

6 Cylinder

1980-1975 231/3.8L	
Seal	710163

[] Indicates Quantity Required; Set Components Listed Inside Rear Cover;

²⁴ Opt. Kit incl. seals 5683 & 5684. Not sold separately
Seal and Bushing Kit

⁴² Sealed Self-Aligning Bearing

⁶⁴ Opt.

Bearings and Seals

Mfg./Year Model & Location Part No Mfg./Year Model & Location Part No

BUICK - REAR DRIVE - Apollo

FRONT WHEEL

1975	
Seal (inner)	8871[2]
Set (inner)	SET6
Set (outer)	SET2
1974-1973	
Seal (inner)	8705S[2]
Set (inner)	SET6
Set (outer)	SET2

REAR WHEEL

1975-1973	
Seal	8660S[2]
Cyl. Bearing	5707[2]
Kit	TRP1563TAV[2] ¹⁹

REAR AXLE

Differential Rebuild Kit

1975-1973	
Kit	DRK321

Differential

1975-1973	
Cone/Cup	LM501349-LM501314[2]

Pinion

1975-1973	
Cone/Cup (inner)	M802048-M802011
Seal (outer)	2043
Cone/Cup (outer)	M88048-M88010

3-SPEED AUTOMATIC TRANSMISSION

Torque Converter

1975-1973	
Seal	6712NA

Rear Seal/Ext. Housing

1975-1973	
Seal	9613S

Selector Shaft Seal/Man. Shaft

1975-1973	
Seal	8792S

CLUTCH

Pilot Bearing

1975-1973	
Bushing H/D	PB656HD

Release Bearing

1975-1973	250/4.1L	
Bearing Assy		614037 ⁴²
1975-1973	350/5.7L	
Bearing Assy		614037 ⁴²

3-SPEED MANUAL TRANSMISSION

Front Input Shaft

1975-1973	
Seal	7412S
Bearing	207SLB
Kwik Slv (Opt Rpr)	KWK99125

Rear Output Shaft

1975-1973	
Seal	9613S
Bearing	306SLVB
Seal Kit Opt.	5200 ⁶⁴

Selector Shaft Seal/Man. Shaft

1975-1973	
Seal	240735
Kwik Slv (Opt Rpr)	KWK99076

GENERATOR / ALTERNATOR

1975-1973	
Bearing (drive end)	203S
Bearing (rear end)	MNJ471S

POWER STEERING

Pitman Shaft

1975	605 Gear with round side cover	
Seal		710285
1975-1973	800 Gear with 4 bolt side cover	
Seal (inner)		471413
Seal (outer)		7412S
Seal Kit		PSK1 ²⁴

Pump Shaft

1975-1973	
Seal	480821

Worm Shaft

1975	605 Gear with round side cover	
Seal		351267
1975-1973	800 Gear with 4 bolt side cover	
Seal		351267

MANUAL STEERING

Pitman Shaft

1975-1973	
Seal	313842

Worm Shaft

1975-1973	
Seal	7013S

CRANKSHAFT REAR SEAL

6 Cylinder

1975-1973	250/4.1L	
Seal		5092

46 [] Indicates Quantity Required; Set Components Listed Inside Rear Cover;

¹⁹ Opt. Axle Repair Bearing. Replaces O.E. bearing & seal. ²⁴ Opt. Kit incl. seals 5683 & 5684. Not sold separately ⁴² Sealed Self-Aligning Bearing ⁶⁴ Opt. Seal and Bushing Kit

BUICK - REAR DRIVE - Apollo (cont.)

CRANKSHAFT REAR SEAL

8 Cylinder

1975-1973	350/5.7L	
Seal		5591
Seal PTFE H/D Opt.		5291

TIMING COVER

6 Cylinder

1975-1973	250/4.1L	
Seal		9845
Kwik Slv (Opt Rpr)		KWK99176

TIMING COVER

8 Cylinder

1975-1973	350/5.7L	
Seal		710173

BUICK - REAR DRIVE - Opel

FRONT WHEEL

1979-1976	Isuzu	
Seal (inner)		1174S[2]
Set (inner)		SET4
Set (outer)		SET1
1975-1971	Manta	
Seal (inner)		1174S[2]
Set (inner)		SET4
Set (outer)		SET1
1973-1969	GT	
Seal (inner)		1174S[2]
Set (inner)		SET4
Set (outer)		SET1
1972-1968	Kadett	
Seal (inner)		1174S[2]
Set (inner)		SET4
Set (outer)		SET1

REAR WHEEL

1979-1976	Isuzu	
Bearing		RW127R[2]
1975-1971	Manta 1.6, 1.8, 2.0	
Seal		1187S[2]
Bearing		RW105R[2]
1973-1969	GT with ball bearings	
Seal		1187S[2]
Bearing		RW105R[2]
1972-1970	Kadett	
Seal		1187S[2]
Bearing		RW105R[2]
1970-1969	GT 1.1 litre	
Bearing		RW104R[2]
1969-1968	Kadett 1.1 litre	
Bearing		RW104R[2]

REAR AXLE

Differential

1972-1968	1.1 litre engine	
Bearing Assy		32007XM[2]

REAR AXLE

Pinion

1979-1976	Isuzu	
Seal (outer)		225230
Bearing Assy (outer)		32206M
1975-1971	Manta: manual trans	
Seal (outer)		225230
Bearing Assy (outer)		32206M
1973-1969	GT: 1.9 engine	
Seal (outer)		225230
1972-1968	Kadett	
Seal (outer)		224520
Bearing Assy (outer)		32206M
1970-1969	GT: 1.1 engine	
Seal (outer)		224520
Bearing Assy (outer)		32206M

3-SPEED AUTOMATIC TRANSMISSION

Torque Converter

1979-1976	THM200	
Seal		3227
Kwik Slv (Opt Rpr)		KWK99174
1979-1965	THM180	
Seal		6712NA
Kwik Slv (Opt Rpr)		KWK99187

Rear Seal/Ext. Housing

1979-1976	THM200	
Seal		9613S
Kwik Slv (Opt Rpr)		KWK99149
1975-1969	THM180	
Seal		9613S
Kwik Slv (Opt Rpr)		KWK99149

Selector Shaft Seal/Man. Shaft

1979-1976	THM200	
Seal		8792S
Kwik Slv (Opt Rpr)		KWK99050
1975-1969	THM180	
Seal		8792S
Kwik Slv (Opt Rpr)		KWK99050

Bearings and Seals

Mfg./Year Model & Location Part No Mfg./Year Model & Location Part No

BUICK - REAR DRIVE - Opel (cont.)

CLUTCH

Pilot Bearing

1979-1976 Isuzu
Bearing203FF

Release Bearing

1975-1971 Manta: 1.1 litre
Bearing Only OP1712C
1975-1971 Manta: 1.5, 1.9 litre
Bearing Only OP1709C
1972-1968 Kadett: 1.5, 1.9 litre
Bearing Only OP1709C
1971-1969 GT: 1.9 litre
Bearing Only OP1709C
1970-1969 GT: 1.1 litre
Bearing Only OP1712C

ALTERNATOR

1976-1968 Delco
Bearing (drive end)203S
1975-1968 Bosch 35, 45 amp
Bearing (drive end) 203S
Bearing (rear end) 201S

GENERATOR

1970-1969 EG 14V24A25
Bearing (drive end)202AG

GENERATOR (cont.)

1970-1968 EG 14V25A27
Bearing (drive end)202AG

CRANKSHAFT REAR SEAL

4 Cylinder

1979-1976 1800/1.8L
Seal 710060
Kwik Slv (Opt Rpr)KWK99364

TIMING COVER

4 Cylinder

1979 1800/1.8L
Seal Viton 225020
Kwik Slv (Opt Rpr)KWK99196
1975-1968 1500/1.5L, 1900/1.9L
Seal 224520
Kwik Slv (Opt Rpr)KWK99177

CADILLAC - FRONT DRIVE - Allante

FRONT WHEEL

1989
Hub Assy 513059[2]
1988-1987
Hub Assy513016K[2]⁶¹

REAR WHEEL

1989-1987
Hub Assy 513041[2]

4-SPEED AUTOMATIC TRANSAXLE

Torque Convertor

1989-1987
Seal4072N

Output Shaft

1989-1987
Seal (LH)710096
Kwik Slv (Opt Rpr) (LH)KWK99139
Seal (RH) 3543
Kwik Slv (Opt Rpr) (RH) KWK99139

4-SPEED AUTOMATIC TRANSAXLE

Selector Shaft Seal/Man. Shaft

1989-1987
Seal 8792S

A/C COMPRESSOR

1989-1987 Frigidaire R4; Harrison DA6, V5,
HR6
Bearing 907257

ALTERNATOR

1989-1987
Bearing (drive end)203FF
Bearing (rear end) 100CCAB

POWER STEERING

Pump Shaft

1989-1987
Seal 221925

Worm Shaft

1989-1987
Seal 222510

CADILLAC - FRONT DRIVE - Allante (cont.)

CRANKSHAFT REAR SEAL

8 Cylinder

1989	273/4.5L	
Seal Viton		710075
1988-1987	250/4.1L	
Seal Viton		710075

TIMING COVER

8 Cylinder

1989	273/4.5L	
Seal		471424
Kwik Slv (Opt Rpr)		KWK99199

TIMING COVER (cont.)

8 Cylinder (cont.)

1988-1987	250/4.1L	
Seal		471424
Kwik Slv (Opt Rpr)		KWK99199

CADILLAC - FRONT DRIVE - Cimarron

FRONT WHEEL

1988-1985		
Hub Assy		513017K[2] ⁶¹
1984	1st design 10mm flange holes	
Hub Assy		513004K[2] ⁶¹
1984	2nd design 12mm flange holes	
Hub Assy		513017K[2] ⁶¹
1983-1982		
Hub Assy		513004K[2] ⁶¹

REAR WHEEL

1988-1982		
Hub Assy		513012[2]

CLUTCH

Release Bearing

1988-1987	Muncie	
Bearing Assy		614069
1987-1983	Isuzu	
Bearing Assy		614108
1985-1982	4-speed	
Bearing Assy		614009

3-SPEED AUTOMATIC TRANSAXLE

Torque Converter

1988-1982	THM125C	
Seal		4072N
Kwik Slv (Opt Rpr)		KWK99179

Output Shaft

1988-1982	THM125C	
Seal		3543[2]
Kwik Slv (Opt Rpr)		KWK99139[2]

Selector Shaft Seal/Man. Shaft

1988-1982	THM125C	
Seal		8792S
Kwik Slv (Opt Rpr)		KWK99050

4-SPEED MANUAL TRANSAXLE

Differential

1986-1982		
Set		SET11

Input Shaft

1986-1982		
Seal (front)		3732S
Set (front)		SET4
Cone/Cup (rear)		15101-15245

Output Shaft

1986-1982		
Seal		3543[2]
Set		SET5[2]
Kwik Slv (Opt Rpr)		KWK99138[2]

Selector Shaft Seal/Man. Shaft

1985-1982		
Seal		472705

5-SPEED MANUAL TRANSAXLE

Differential

1988-1987	Muncie	
Set		SET11
1988-1983	Isuzu	
Bearing Assy		32008XM[2]

Input Shaft

1988-1987	Muncie	
Seal (front)		222835
1987-1983	Isuzu	
Seal (front)		222835
Bearing Assy (front)		32206M
Bearing Assy (rear)		30306M

[] Indicates Quantity Required; Set Components Listed Inside Rear Cover;

⁶¹ Kit incl: Seal, Hub Nut, and Bearing Unit

Bearings and Seals

Mfg./Year Model & Location Part No Mfg./Year Model & Location Part No

CADILLAC - FRONT DRIVE - Cimarron (cont.)

5-SPEED MANUAL TRANSAXLE

Output Shaft

1988-1987	Muncie	
Seal	3543[2]
Kwik Slv (Opt Rpr)	KWK99138[2]
1987-1983	Isuzu	
Seal	3543[2]
Bearing Assy	32206M[2]
Kwik Slv (Opt Rpr)	KWK99138[2]

Selector Shaft Seal/Man. Shaft

1988-1987	Muncie	
Seal	3667
1987-1983	Isuzu	
Seal	3667

A/C COMPRESSOR

1988-1982	Frigidaire R4; Harrison DA6, V5, HR6	
Bearing	907257

ALTERNATOR

1986-1983		
Bearing (drive end)	203FF
Bearing (rear end)	MNJ471S
1982		
Bearing (drive end)	203S
Bearing (rear end)	MNJ471S

POWER STEERING

Pump Shaft

1988-1985		
Seal	221925
Bearing	203FF
1984-1982		
Seal	7013S

POWER STEERING

Worm Shaft

1984-1982		
Seal	222510

CRANKSHAFT REAR SEAL

4 Cylinder

1987-1983	121/2.0/L	
Seal	4307V
Kwik Slv (Opt Rpr)	KWK99298
1982	1st design 5.5 mm width	
Seal	5210
1982	2nd design 11 mm width	
Seal	4307V
Seal PTFE H/D	5273
Kwik Slv (Opt Rpr)	KWK99298

6 Cylinder

1988-1985	173/2.8L	
Seal	4307V
Kwik Slv (Opt Rpr)	KWK99298

TIMING COVER

4 Cylinder

1987-1983	121/2.0/L	
Seal	9845
Kwik Slv (Opt Rpr)	KWK99176
1982	112/1.8L	
Seal	9845
Kwik Slv (Opt Rpr)	KWK99176

6 Cylinder

1988-1985	173/2.8L	
Seal	9845
Kwik Slv (Opt Rpr)	KWK99176

CADILLAC - FRONT DRIVE - DeVille, Fleetwood

FRONT WHEEL

1989-1985		
Hub Assy	513016K[2] ⁶¹

REAR WHEEL

1989-1985	exc. ABS brakes	
Hub Assy	513018[2]
1989-1987	ABS brakes	
Hub Assy	513041[2]
1986	ABS brakes	
Hub Assy	513038[2]

4-SPEED AUTOMATIC TRANSAXLE

Torque Convertor

1989-1985	THM440-T4	
Seal	4072N

4-SPEED AUTOMATIC TRANSAXLE

Output Shaft

1989-1985	THM440-T4	
Seal (LH)	710096
Kwik Slv (Opt Rpr) (LH)	KWK99139
Seal (RH)	3543
Kwik Slv (Opt Rpr) (RH)	KWK99139

Selector Shaft Seal/Man. Shaft

1989-1985		
Seal	8792S

CADILLAC - FRONT DRIVE - DeVille, Fleetwood (cont.)

A/C COMPRESSOR

1989-1985	Frigidaire R4; Harrison DA6, V5, HR6	
Bearing	907257

ALTERNATOR

1989-1987		
Bearing (drive end)	203FF
Bearing (rear end)	100CCAB
1986-1985		
Bearing (drive end)	203S
Bearing (rear end)	MNJ471S

POWER STEERING

Pump Shaft

1989-1985		
Seal	221925
Bearing	203FF

CRANKSHAFT REAR SEAL

8 Cylinder

1989-1988	273/4.5L	
Seal Viton	710075

CRANKSHAFT REAR SEAL (cont.)

8 Cylinder (cont.)

1987-1985	250/4.1L	
Seal Viton	710075
1985	260/4.3 diesel	
Seal	5591

TIMING COVER

8 Cylinder

1989-1988	273/4.5L	
Seal	471424
Kwik Slv (Opt Rpr)	KWK99199
1987-1985	250/4.1L	
Seal	471424
Kwik Slv (Opt Rpr)	KWK99199
1985	260/4.3 diesel	
Seal Viton	320259
Kwik Slv (Opt Rpr)	KWK99199

CADILLAC - FRONT DRIVE - Eldorado

FRONT WHEEL

1989		
Hub Assy	513059[2]
1988-1986		
Hub Assy	513016K[2] ⁶¹
1985-1979		
Hub Assy	513013[2]
1978-1968		
Seal (inner)	5123[2]
Set (inner)	SET23
Seal (outer)	5109[2]

REAR WHEEL

1989-1988	ABS brakes	
Hub Assy	513041[2]
1989-1988	non-ABS brakes	
Hub Assy	513018[2]
1987-1986		
Hub Assy	513018[2]
1985-1979		
Hub Assy	513009[2] ¹⁶
1978-1968		
Seal (inner)	9049N[2]
Set (inner)	SET5
Set (outer)	SET2

3-SPEED AUTOMATIC TRANSAXLE

Torque Converter

1985-1982	THM325	
Seal	3227
Kwik Slv (Opt Rpr)	KWK99174

3-SPEED AUTOMATIC TRANSAXLE (cont.)

Torque Converter (cont.)

1985-1982	THM125	
Seal	4072N
1981-1979		
Seal	6712NA
Kwik Slv (Opt Rpr)	KWK99187
1978-1976	THM425	
Seal	6712NA
Kwik Slv (Opt Rpr)	KWK99187
1975-1967		
Seal	6712NA
Kwik Slv (Opt Rpr)	KWK99187

Output Shaft

1985-1982	THM125	
Seal	3543[2]
Kwik Slv (Opt Rpr)	KWK99139[2]
1985-1982	THM325	
Seal	3907[2]
Kwik Slv (Opt Rpr)	KWK99114
1981-1979		
Seal	3907[2]
Kwik Slv (Opt Rpr)	KWK99114
1978-1968		
Seal (RH)	9613S
Kwik Slv (Opt Rpr)	KWK99149

[] Indicates Quantity Required; Set Components Listed Inside Rear Cover;

¹⁶ Check for availability, while supplies last ⁶¹ Kit incl: Seal, Hub Nut, and Bearing Unit

Bearings and Seals

Mfg./Year Model & Location Part No Mfg./Year Model & Location Part No

CADILLAC - FRONT DRIVE - Eldorado (cont.)

3-SPEED AUTOMATIC TRANSAXLE

Differential

1981-1979
Cone/Cup LM501349-LM501314[2]
1978-1968
Cone/Cup 387A-382A[2]
1967
Cone/Cup (RH) LM806349C-LM806310
Cone/Cup (LH) 28682-28622

Pinion

1981-1979
Cone/Cup (inner) M804049-M804010
Seal (outer) 3606
Cone/Cup (outer) M802048-M802011
1978-1967
Cone/Cup (inner) LM806349C-LM806310
Seal (outer) 473443
Set (outer) SET5
Kwik Slv (Opt Rpr) KWK99162

Final Drive

1978-1968 THM425
Bearing RW508BR
1967 THM425
Bearing RW507CR

Selector Shaft Seal/Man. Shaft

1985-1979
Seal 8792S
Kwik Slv (Opt Rpr) KWK99050
1978-1968
Seal 8792S

4-SPEED AUTOMATIC TRANSAXLE

Differential

1985-1982
Cone/Cup LM501349-LM501314[2]

Torque Converter

1989-1985 THM440
Seal 4072N
1985 THM325-4L
Seal 3227
Kwik Slv (Opt Rpr) KWK99174

Output Shaft

1989-1985 THM440
Seal (LH) 710096
Kwik Slv (Opt Rpr) (LH) KWK99139
Seal (RH) 3543
Kwik Slv (Opt Rpr) (RH) KWK99139
1985-1982 THM325-4L
Seal 3907[2]
Kwik Slv (Opt Rpr) KWK99114

4-SPEED AUTOMATIC TRANSAXLE

Pinion

1985-1982
Cone/Cup (inner) M804049-M804010
Seal (outer) 3606
Cone/Cup (outer) M802048-M802011

Selector Shaft Seal/Man. Shaft

1989-1985
Seal 8792S

A/C COMPRESSOR

1989-1967 Frigidaire R4; Harrison DA6, V5, HR6
Bearing 907257

ALTERNATOR

1989-1987
Bearing (drive end) 203FF
Bearing (rear end) 100CCAB
1986-1980
Bearing (drive end) 203S
Bearing (rear end) MNJ471S
1979-1971 145 amp
Bearing (drive end) 305DD
Bearing (rear end) MNJ471S
1979-1968 exc. 130 amp
Bearing (drive end) 203F
Bearing (rear end) MNJ471S
1971-1967 130 amp
Bearing (drive end) 205F
Bearing (rear end) 203F

POWER STEERING

Pitman Shaft

1989-1967
Seal Kit PSK1²⁴

Pump Shaft

1989-1985
Seal 221925
Bearing 203FF
1984-1967
Seal 7013S

Worm Shaft

1989-1979
Seal 222025
1978-1967
Seal 351267

CRANKSHAFT REAR SEAL

6 Cylinder

1982-1981 252/4.1L
Seal 5591
Seal PTFE H/D Opt. 5291

CADILLAC - FRONT DRIVE - Eldorado (cont.)

CRANKSHAFT REAR SEAL

8 Cylinder

1989-1988	273/4.5L	
Seal Viton		710075
1987-1982	250/4.1L	
Seal Viton		710075
1985-1979	350/5.7L Diesel	
Seal Rope		5095
1981-1980	368/6.0L	
Seal		5068
1980-1979	350/5.7L	
Seal		5591
1978-1977	425/7.0L	
Seal		5068
1976-1970	500/8.2L	
Seal		5068
1969-1968	472/7.7L	
Seal		5068
1967	429	
Seal		5068

TIMING COVER

6 Cylinder

1982-1981	252/4.1L	
Seal		471424
Kwik Slv (Opt Rpr)		KWK99199

TIMING COVER

8 Cylinder

1989-1988	273/4.5L	
Seal		471424
Kwik Slv (Opt Rpr)		KWK99199
1987-1982	250/4.1L	
Seal		471424
Kwik Slv (Opt Rpr)		KWK99199
1985-1979	350/5.7L Diesel	
Seal		472082
Kwik Slv (Opt Rpr)		KWK99199
1981-1980	368/6.0L	
Seal		9599S
Kwik Slv (Opt Rpr)		KWK99212
1980-1979	350/5.7L	
Seal		472082
Kwik Slv (Opt Rpr)		KWK99199
1978-1977	425/7.0L	
Seal		9599S
Kwik Slv (Opt Rpr)		KWK99210
1976-1970	500/8.2L	
Seal		9599S
Kwik Slv (Opt Rpr)		KWK99210
1969-1968	472/7.7L	
Seal		9599S
Kwik Slv (Opt Rpr)		KWK99210
1967	429	
Seal		8804S

CADILLAC - FRONT DRIVE - Seville

FRONT WHEEL

1989		
Hub Assy		513059[2]
1988-1986		
Hub Assy		513016K[2] ⁶¹
1985-1980		
Hub Assy		513013[2]

REAR WHEEL

1989-1988	ABS brakes	
Hub Assy		513041[2]
1989-1986	non-ABS brakes	
Hub Assy		513018[2]
1985-1980		
Hub Assy		513009[2] ¹⁶

3-SPEED AUTOMATIC TRANSAXLE

Torque Converter

1986-1985		
Seal		4072N
1985-1982		
Seal		3227
Kwik Slv (Opt Rpr)		KWK99174
1981-1980		
Seal		6712NA
Kwik Slv (Opt Rpr)		KWK99187

3-SPEED AUTOMATIC TRANSAXLE

Output Shaft

1985-1982	THM125	
Seal		3543[2]
Kwik Slv (Opt Rpr)		KWK99139
1985-1980	THM325	
Seal		3907[2]
Kwik Slv (Opt Rpr)		KWK99114

Differential

1981-1980		
Cone/Cup		LM501349-LM501314[2]

Pinion

1981-1980		
Cone/Cup (inner)		M804049-M804010
Seal (outer)		3606
Cone/Cup (outer)		M802048-M802011

Selector Shaft Seal/Man. Shaft

1985-1980		
Seal		8792S

[] Indicates Quantity Required; Set Components Listed Inside Rear Cover;

¹⁶ Check for availability, while supplies last ⁶¹ Kit incl: Seal, Hub Nut, and Bearing Unit

Bearings and Seals

Mfg./Year Model & Location Part No Mfg./Year Model & Location Part No

CADILLAC - FRONT DRIVE - Seville (cont.)

4-SPEED AUTOMATIC TRANSAXLE

Differential

1985-1982
Cone/CupLM501349-LM501314[2]

Torque Convertor

1989-1985 THM440
Seal4072N
1985-1982 THM325-4L
Seal3227
Kwik Slv (Opt Rpr)KWK99174

Output Shaft

1989-1985 THM440
Seal (LH)710096
Kwik Slv (Opt Rpr) (LH)KWK99139
Seal (RH)3543
Kwik Slv (Opt Rpr) (RH)KWK99139
1985-1980 THM325-4L
Seal3907[2]
Kwik Slv (Opt Rpr)KWK99114[2]

Pinion

1985-1982
Cone/Cup (inner)M804049-M804010
Seal (outer)3606
Cone/Cup (outer)M802048-M802011

Selector Shaft Seal/Man. Shaft

1989-1985
Seal8792S

A/C COMPRESSOR

1989-1980 Frigidaire R4; Harrison DA6, V5, HR6
Bearing907257

ALTERNATOR

1989-1987
Bearing (drive end)203FF
Bearing (rear end)100CCAB
1986-1980
Bearing (drive end)203S
Bearing (rear end)MNJ471S

POWER STEERING

Pump Shaft

1989-1985
Seal221925
Bearing203FF
1984-1980
Seal7013S

CRANKSHAFT REAR SEAL

6 Cylinder

1982-1981 252/4.1L
Seal5591
Seal PTFE H/D Opt.5291

8 Cylinder

1989-1988 273/4.5L
Seal Viton710075
1987-1982 250/4.1L
Seal Viton710075
1985-1980 350/5.7L Diesel
Seal Rope5095
1981-1980 368/6.0L
Seal5068
1980 350/5.7L
Seal5591

TIMING COVER

6 Cylinder

1982-1981 252/4.1L
Seal471424
Kwik Slv (Opt Rpr)KWK99199

8 Cylinder

1989-1988 273/4.5L
Seal471424
Kwik Slv (Opt Rpr)KWK99199
1987-1982 250/4.1L
Seal471424
Kwik Slv (Opt Rpr)KWK99199
1985-1980 350/5.7L Diesel
Seal472082
Kwik Slv (Opt Rpr)KWK99199
1981-1980 368/6.0L
Seal9599S
Kwik Slv (Opt Rpr)KWK99210
1980 350/5.7L
Seal472082
Kwik Slv (Opt Rpr)KWK99199

CADILLAC - REAR DRIVE - Calais, Comm. Chassis/Limousine, DeVille, Fleetwood

FRONT WHEEL

1989-1988	Fleetwood non-ABS, Comm. Chassis	
Seal (inner)	8871[2]
Set (inner)	SET5
Set (outer)	SET3
1989-1988	Fleetwood with ABS	
Seal (inner)	4739[2]
Set (inner)	SET6
Set (outer)	SET3
1987-1978	DeVille, Fleetwood	
Seal (inner)	8871[2]
Set (inner)	SET6
Set (outer)	SET3
1987-1977	Comm. Chassis/Limo	
Seal (inner)	8871[2]
Set (inner)	SET5
Set (outer)	SET3
1977	DeVille, Fleetwood	
Seal (inner)	8871[2]
Set (inner)	SET6
Set (outer)	SET2
1976-1972		
Seal (inner)	8871[2]
Set (inner)	SET5
Set (outer)	SET3
1971-1968	disc brakes	
Seal (inner)	9406S[2]
Set (inner)	SET5
Set (outer)	SET3
1968		
Seal (inner)	7721[2]
Set (inner)	SET5
Set (outer)	SET3

REAR WHEEL

1989-1980	11" brakes	
Seal	8660S[2]
Cyl. Bearing	5707[2]
Kit	TRP1563TAV[2] ¹⁹
1989-1980	12" brakes	
Seal	8835S[2]
Cyl. Bearing	6408[2]
Kit	TRP1559TV[2] ¹⁹
1984-1977	Fleetwood Sedan	
Seal	8835S[2]
Cyl. Bearing	6408[2]
Kit	TRP1559TV[2] ¹⁹
1979-1977	DeVille, Fleetwood	
Seal	8660S[2]
Cyl. Bearing	5707[2]
Kit	TRP1563TAV[2] ¹⁹
1979-1977	Comm. Chassis/Limo	
Seal	8835S[2]
Cyl. Bearing	6408[2]
Kit	TRP1559TV[2] ¹⁹
1976-1970	Comm. Chassis/Limo	
Cyl. Bearing	RSN1584EV[2]
1976-1970	Calais, DeVille, Fleetwood	
Seal	9912S[2]
Set	SET10

REAR WHEEL (cont.)

1969-1968		
Seal	5589[2]
Bearing	RW509FR[2]

REAR AXLE

Differential Rebuild Kit

1988-1982	7.5" ring gear	
Kit	DRK320
1979-1977	8.5" ring gear	
Kit	DRK321
1979-1977	8.75", 8.875" ring gears	
Kit	DRK323

Differential

1989-1977	with 7.50", 8.50" ring gear	
Cone/Cup	LM501349-LM501314[2]
1981-1970	with 10 bolt housing cover	
Set	SET36
1976-1970	with 12 bolt axle housing cover	
Set	SET38
1969-1968	with 12 bolt axle housing cover	
Cone/Cup	25584T-25520[2]
1969-1968	with 10 bolt housing cover	
Cone/Cup	25584T-25520[2]

Pinion

1989-1980	8.5" ring gear	
Cone/Cup (inner)	M802048-M802011
Seal (outer)	2043
Cone/Cup (outer)	M88048-M88010
1989-1982	7.5" ring gear	
Cone/Cup (inner)	HM89249-HM89210
Seal (outer)	8610
Cone/Cup (outer)	M86649-M86610
1979-1977		
Cone/Cup (inner)	M802048-M802011
Seal (outer)	2043
Cone/Cup (outer)	M88048-M88010
1976-1970		
Cone/Cup (inner)	HM89449-HM89410
Seal (outer)	2043
Cone/Cup (outer)	M88048-M88010
Cyl. Bearing (pilot)	R1581TV
1969-1968		
Cone/Cup (inner)	HM804846-HM804810
Seal (outer)	9449
Cone/Cup (outer)	HM89449-HM89410
Kwik Slv (Opt Rpr)	KWK99187

3-SPEED AUTOMATIC TRANSMISSION

Torque Converter

1989-1980	THM200; THM2004R	
Seal	3227
Kwik Slv (Opt Rpr)	KWK99174
1989-1980	THM400	
Seal	6712NA
Kwik Slv (Opt Rpr)	KWK99187

[] Indicates Quantity Required; Set Components Listed Inside Rear Cover;
¹⁹ Opt. Axle Repair Bearing. Replaces O.E. bearing & seal.

Bearings and Seals

Mfg./Year Model & Location Part No Mfg./Year Model & Location Part No

CADILLAC - REAR DRIVE - Calais, Comm. Chassis/Limousine, DeVille, Fleetwood (cont.)

3-SPEED AUTOMATIC TRANSMISSION (cont.)

Torque Converter (cont.)

1980	CBC350	
Seal		6712NA
Kwik Slv (Opt Rpr)		KWK99187
1979-1968		
Seal		6712NA
Kwik Slv (Opt Rpr)		KWK99187

Rear Seal/Ext. Housing

1989-1980	THM200; THM2004R	
Seal		9613S
1989-1980	THM400	
Seal		9449
1980	CBC350	
Seal		9613S
1979-1968	1.890" shaft	
Seal		9449
1978-1968	1.687" shaft	
Seal		7038SA

Selector Shaft Seal/Man. Shaft

1989-1968		
Seal		8792S

4-SPEED AUTOMATIC TRANSMISSION

Torque Converter

1989-1982	THM2004R	
Seal		3227
Kwik Slv (Opt Rpr)		KWK99174

Rear Seal/Ext. Housing

1989-1982	THM2004R	
Seal (rear)		9613S

Selector Shaft Seal/Man. Shaft

1989-1982		
Seal		8792S

ALTERNATOR

1989-1987		
Bearing (drive end)		203FF
Bearing (rear end)		100CCAB
1986-1980		
Bearing (drive end)		203S
Bearing (rear end)		MNJ471S
1979-1971	145 amp	
Bearing (drive end)		305DD
Bearing (rear end)		MNJ471S
1979-1968	exc. 130 amp	
Bearing (drive end)		203F
Bearing (rear end)		MNJ471S
1971-1967	130 amp	
Bearing (drive end)		205F
Bearing (rear end)		203F

CRANKSHAFT REAR SEAL

6 Cylinder

1982-1980	252/4.1L	
Seal		5591
Seal PTFE H/D Opt.		5291

8 Cylinder

1989-1988	307/5.0L	
Seal Rope		5095
1985-1982	250/4.1L	
Seal Viton		710075
1985-1979	350/5.7L Diesel	
Seal Rope		5095
1984-1980	368/6.0L	
Seal		5068
1979-1977	425/7.0L	
Seal		5068
1976-1975	500/8.2L	
Seal		5068
1974-1968	472/7.7L	
Seal		5068

TIMING COVER

6 Cylinder

1982-1980	252/4.1L	
Seal		471424
Kwik Slv (Opt Rpr)		KWK99199

8 Cylinder

1989-1986	307/5.0L	
Seal		472082
Kwik Slv (Opt Rpr)		KWK99199
1985-1982	250/4.1L	
Seal		471424
Kwik Slv (Opt Rpr)		KWK99199
1985-1979	350/5.7L Diesel	
Seal		472082
Kwik Slv (Opt Rpr)		KWK99199
1984-1980	368/6.0L	
Seal		9599S
Kwik Slv (Opt Rpr)		KWK99210
1979-1977	425/7.0L	
Seal		9599S
Kwik Slv (Opt Rpr)		KWK99210
1976-1975	500/8.2L	
Seal		9599S
Kwik Slv (Opt Rpr)		KWK99210
1974-1968	472/7.7L	
Seal		9599S
Kwik Slv (Opt Rpr)		KWK99210

CADILLAC - REAR DRIVE - Seville

FRONT WHEEL

1979-1978	
Set (outer)	SET3
Seal (inner)	8871[2]
Set (inner)	SET6
1977-1976	
Set (outer)	SET2
Seal (inner)	8871[2]
Set (inner)	SET6

REAR WHEEL

1979-1976	
Seal	8660S[2]
Cyl. Bearing	5707[2]
Kit	TRP1563TAV[2] ¹⁹

REAR AXLE

Differential Rebuild Kit

1979-1976	8.875" ring gear
Kit	DRK323

Differential

1979-1975	
Cone/Cup	LM501349-LM501314[2]

Pinion

1979-1976	
Cone/Cup (inner)	M802048-M802011
Seal (outer)	2043
Cone/Cup (outer)	M88048-M88010

3-SPEED AUTOMATIC TRANSMISSION

Torque Converter

1979-1978	THM200
Seal	3227
Kwik Slv (Opt Rpr)	KWK99174
1979-1976	THM400
Seal	6712NA
Kwik Slv (Opt Rpr)	KWK99187

Rear Seal/Ext. Housing

1979-1978	THM200
Seal	9613S
1979-1976	THM400
Seal	9449

3-SPEED AUTOMATIC TRANSMISSION

Selector Shaft Seal/Man. Shaft

1979-1976	
Seal	8792S

GENERATOR / ALTERNATOR

1979-1976	
Bearing (drive end)	203S
Bearing (rear end)	MNJ471S

POWER STEERING

Pitman Shaft

1979-1976	
Seal (inner)	471413
Seal (outer)	7412S

Pump Shaft

1979-1976	
Seal	480821

Worm Shaft

1979	
Seal	222025

CRANKSHAFT REAR SEAL

8 Cylinder

1979-1978	350/5.7L Diesel
Seal Rope	5095
1979-1976	350/5.7L
Seal	5591

TIMING COVER

8 Cylinder

1979-1978	350/5.7L Diesel
Seal	472082
Kwik Slv (Opt Rpr)	KWK99199
1979-1976	350/5.7L
Seal	472082
Kwik Slv (Opt Rpr)	KWK99199

CHECKER - All Checker Models

FRONT WHEEL

1981-1970	exc. Aerobus
Seal (inner)	4739[2]
Set (inner)	SET5
Set (outer)	SET2
1975-1969	Aerobus
Seal (inner)	203006S[2]
Set (inner)	SET5
Set (outer)	SET3

FRONT WHEEL (cont.)

1969	exc. Aerobus
Seal (inner)	8871[2]
Set (inner)	SET5
Set (outer)	SET2
1968	exc. Aerobus
Seal (inner)	8871[2]
Set (inner)	SET5
Set (outer)	SET3

[] Indicates Quantity Required; Set Components Listed Inside Rear Cover;
¹⁹ Opt. Axle Repair Bearing. Replaces O.E. bearing & seal.

Bearings and Seals

Mfg./Year Model & Location Part No Mfg./Year Model & Location Part No

CHECKER - All Checker Models (cont.)

FRONT WHEEL (cont.)

1968-1959	exc. Airport Limousine	
Seal (inner)	203008[2]
Set (inner)	SET6
Set (outer)	SET2
1965-1959	Airport Limousine	
Set (inner)	SET5
Set (outer)	SET3
1958-1955	all	
Seal (inner)	6849[2]
Cone/Cup (inner)	15123-15245[2]
Cone/Cup (outer)	09067-09195[2]

REAR WHEEL

1980-1969	exc. Aerobus	
Seal (inner)	51098[2]
Set (inner)	SET10
Seal (outer)	2689S[2]
1975-1969	Aerobus	
Seal (inner)	51098[2]
Set (inner)	SET7
Seal (outer)	472747[2]
1968-1955	exc. Airport Limousine	
Seal (inner)	7245[2]
Cone/Cup (inner)	25877-25821[2]
1965-1962	Airport Limousine	
Cone/Cup	2788A-2735X[2]
1961-1959	Airport Limousine	
Cone/Cup	25877-25821[2]

REAR AXLE

Differential

1981-1966	exc. Aerobus, Limousine	
Cone/Cup	25590-25523[2]
1981-1966	Aerobus, Limousine	
Cone/Cup	387A-382S[2]
1965-1962	exc. Airport Limousine	
Cone/Cup	25577-25523[2]
1965-1962	Airport Limousine	
Cone/Cup	25590-25520[2]
1961-1955	all	
Cone/Cup	25577-25523[2]

Pinion

1981-1976	Limousine	
Cone/Cup (inner)	HM803146-HM803110
Seal (outer)	5778
Cone/Cup (outer)	02872-02820
1981-1965	exc. Aerobus, Limousine	
Cone/Cup (inner)	31594-31520
Seal (outer)	5778
Cone/Cup (outer)	02872-02820
1975-1965	Aerobus	
Cone/Cup (inner)	HM803146-HM803110
Seal (outer)	6808N
Cone/Cup (outer)	HM88542-HM88510
1965-1962	Airport Limousine	
Cone/Cup (inner)	HM89446-HM89410
Cone/Cup (outer)	M88048-M88010

REAR AXLE (cont.)

Pinion (cont.)

1965-1955	exc. Airport Limousine	
Cone/Cup (inner)	31594-31520
Seal (outer)	5778
Cone/Cup (outer)	02872-02820
1961-1959	Airport Limousine	
Cone/Cup (inner)	31594-31520
Cone/Cup (outer)	02872-02820

AUTOMATIC TRANSMISSION

Torque Converter

1981-1974		
Seal	6712NA
Kwik Slv (Opt Rpr)	KWK99187
1973-1968		
Seal	6988H
Kwik Slv (Opt Rpr)	KWK99193

Selector Shaft Seal/Man. Shaft

1981-1971		
Seal	340847
Kwik Slv (Opt Rpr)	KWK99059
1970-1959		
Seal	240816
Kwik Slv (Opt Rpr)	KWK99076

Output Shaft

1981-1972		
Seal	9449
Kwik Slv (Opt Rpr)	KWK99189
1971-1955		
Seal	8160S
Kwik Slv (Opt Rpr)	KWK99156

CLUTCH

Pilot Bearing

1964-1955		
Bearing	204SS

Release Bearing

1977-1965		
Bearing Assy	614037 ⁴²
1964-1955		
Bearing Only	1872T
1941-1940		
Bearing Only	CB1166

3-SPEED MANUAL TRANSMISSION

Front Input Shaft

1970-1959		
Bearing	207

CHECKER - All Checker Models (cont.)

3-SPEED MANUAL TRANSMISSION

Rear Output Shaft

1970-1959	
Seal	8160S
Kwik Slv (Opt Rpr)	KWK99156

Selector Shaft Seal/Man. Shaft

1970-1955	
Seal	343105
Kwik Slv (Opt Rpr)	KWK99062

ALTERNATOR

1975-1965	55 amp
Bearing (drive end)	203FF

GENERATOR

1964-1959	Heavy Duty
Bearing (drive end)	204
Bearing (rear end)	303BB
1964-1947	Standard
Bearing (drive end)	203AB
Bearing (rear end)	203AB

DRIVESHAFT SUPPORT

1981-1966	Spicer 1280-1410: 1.3780" bearing ID
Bearing	88107
Hanger Bearing Assy	HB88107A
1979-1966	Aerobus
Hanger Bearing Assy	HB88107

CRANKSHAFT REAR SEAL

6 Cylinder

1981-1980	3.8
Seal	5092
1979-1968	230, 250
Seal	5092

8 Cylinder

1979-1964	283, 307
Seal	5092
1966-1959	318/5.2L
Seal	5414

TIMING COVER

6 Cylinder

1981-1980	3.8
Seal	9845
Kwik Slv (Opt Rpr)	KWK99176
1979-1964	230, 250
Seal	9845
Kwik Slv (Opt Rpr)	KWK99176
1964-1952	3.7L
Seal	450096
Kwik Slv (Opt Rpr)	KWK99205

8 Cylinder

1981-1964	283, 307
Seal	9845
Kwik Slv (Opt Rpr)	KWK99176
1966-1959	318/5.2L
Seal	3103
Kwik Slv (Opt Rpr)	KWK99218

CHEVROLET - FRONT DRIVE - Beretta, Cavalier, Corsica

FRONT WHEEL

1989-1985	
Hub Assy	513017K[2] ⁶¹
Seal Kit	5697 ¹²
1984	12mm holes in mounting flange
Hub Assy	513017K[2] ⁶¹
Seal Kit	5697 ¹²
1984-1982	10mm holes in mounting flange
Hub Assy	513004K[2] ⁶¹
Seal Kit	5697 ¹²

REAR WHEEL

1989-1982	
Hub Assy	513012[2]

CLUTCH

Pilot Bearing

1986-1982	4-cylinder
Bushing H/D	PB656HD

CLUTCH - 4 CYLINDER

Release Bearing

1989-1982	Isuzu
Bearing Assy	614108
1989-1987	5-speed: Muncie trans
Bearing Assy	614069
1989-1982	4-speed
Bearing Assy	614009

[] Indicates Quantity Required; Set Components Listed Inside Rear Cover;

¹² Opt. Kit includes seal and O ring; kit included w/hub assembly

⁶¹ Kit incl: Seal, Hub Nut, and Bearing Unit

Bearings and Seals

Mfg./Year Model & Location Part No Mfg./Year Model & Location Part No

CHEVROLET - FRONT DRIVE - Beretta, Cavalier, Corsica (cont.)

CLUTCH - 6 CYLINDER

Release Bearing

1989-1986	5-speed: Muncie trans	
	Bearing Assy	614069
1987-1985	Isuzu	
	Bearing Assy	614108
1986-1985	4-speed	
	Bearing Assy	614009

3-SPEED AUTOMATIC TRANSAXLE

Torque Converter

1989-1982		
	Seal	4072N
	Kwik Slv (Opt Rpr)	KWK99172

Output Shaft

1989-1982		
	Seal (LH)	3543
	Kwik Slv (Opt Rpr) (LH)	KWK99139
	Seal Kit (LH) Opt.	5690 ¹⁸
	Seal (RH)	3543
	Kwik Slv (Opt Rpr) (RH)	KWK99139
	Seal Kit (RH) Opt.	5690 ¹⁸

Oil Pump

1984-1982	THM125: 1st design	
	Seal	253747
	Kwik Slv (Opt Rpr)	KWK99062

Selector Shaft Seal/Man. Shaft

1989-1982		
	Seal	8792S

4-SPEED MANUAL TRANSAXLE

Differential

1987-1982		
	Set	SET11

Input Shaft

1987-1982		
	Seal (front)	3732S
	Set (front)	SET4
	Cone/Cup (rear)	15101-15245

Output Shaft

1987-1982		
	Seal (LH)	3543
	Set (LH)	SET5
	Kwik Slv (Opt Rpr) (LH)	KWK99139
	Seal (RH)	3543
	Cone/Cup (RH)	15101-15245
	Kwik Slv (Opt Rpr) (RH)	KWK99139

Selector Shaft Seal/Man. Shaft

1987-1982		
	Seal	3667

5-SPEED MANUAL TRANSAXLE

Differential

1989-1983	Isuzu	
	Bearing Assy	32008XM[2]
1989-1986	exc. Isuzu	
	Cone/Cup	LM503349P-LM503310P[2]

Input Shaft

1989-1983	Isuzu	
	Seal (front)	222835
	Bearing Assy (front)	32206M
	Kwik Slv (Opt Rpr)	KWK99111
	Bearing Assy (rear)	30306M
1989-1986	exc. Isuzu	
	Bearing (front)	305DD

Output Shaft

1989-1983		
	Seal (LH)	3543
	Set (LH)	SET5
	Kwik Slv (Opt Rpr) (LH)	KWK99139
	Seal (RH)	3543
	Bearing Assy (RH)	32206M
	Kwik Slv (Opt Rpr) (RH)	KWK99139

Selector Shaft Seal/Man. Shaft

1989-1983	Isuzu	
	Seal	710243
	Kwik Slv (Opt Rpr)	KWK99058

ALTERNATOR

1989-1983		
	Bearing (drive end)	203FF
1989-1982		
	Bearing (rear end)	MNJ471S
1982		
	Bearing (drive end)	203S

POWER STEERING

Pump Shaft

1989-1987		
	Seal	221925
1986-1983	with integral reservoir	
	Seal	221925
1986-1982	with remote reservoir	
	Seal	7013S

Worm Shaft

1988-1982		
	Seal	222510

CRANKSHAFT REAR SEAL

4 Cylinder

1989-1985	121/2.0/L	
	Seal	4307V
	Seal PTFE H/D Opt.	5273
	Kwik Slv (Opt Rpr)	KWK99298

CHEVROLET - FRONT DRIVE - Beretta, Cavalier, Corsica (cont.)

CRANKSHAFT REAR SEAL (cont.)

4 Cylinder (cont.)

1984-1983	121/2.0/L 1st design 5.5mm thick	
Seal	5210
1984-1983	121/2.0/L 2nd design 11mm width with casting O on RR of cyl case	
Seal	4307V
Seal PTFE H/D Opt.	5273
Kwik Slv (Opt Rpr)	KWK99298
1982	112/1.8L 2nd design 11mm thick with casting O on RR of case	
Seal	4307V
Seal PTFE H/D Opt.	5273
Kwik Slv (Opt Rpr)	KWK99298
1982	112/1.8L 1st design 5.5mm thick	
Seal	5210

6 Cylinder

1989-1985	173/2.8L	
Seal	4307V
Seal PTFE H/D Opt.	5273
Kwik Slv (Opt Rpr)	KWK99298

TIMING COVER

4 Cylinder

1989-1983	121/2.0/L	
Seal Viton	710164
Kwik Slv (Opt Rpr)	KWK99128
1982	112/1.8L	
Seal	9845
Kwik Slv (Opt Rpr)	KWK99176
Harmonic Balancer	
Sleeves Opt.	88176

6 Cylinder

1989-1985	173/2.8L	
Seal	9845
Kwik Slv (Opt Rpr)	KWK99176
Harmonic Balancer	
Sleeves Opt.	88176

CHEVROLET - FRONT DRIVE - Celebrity

FRONT WHEEL

1989-1985	JA2(heavy) JA3(medium) JA8(medium) brakes	
Hub Assy	513016K[2] ⁶¹
Seal Kit	5698 ¹²
1989-1985	with JA1(Lt duty) brakes	
Hub Assy	513011K[2] ⁶¹
Seal Kit	5699 ¹²
1984-1983	with JA2 (heavy) JA8(medium) brakes	
Hub Assy	513016K[2] ⁶¹
Seal Kit	5698 ¹²
1984-1983	with JA1(Lt duty) JA8(medium duty) brakes	
Hub Assy	513011K[2] ⁶¹
Seal Kit	5699 ¹²
1982		
Hub Assy	513011K[2] ⁶¹
Seal Kit	5699 ¹²

REAR WHEEL

1989-1984	with JA1(Lt duty) brakes	
Hub Assy	513003[2]
1989-1984	with JA2 (heavy) JA8(medium) brakes	
Hub Assy	513018[2]
1983	with JA1(Lt duty) JA8(medium duty) brakes	
Hub Assy	513003[2]
1983	with JA2 (heavy) brakes	
Hub Assy	513018[2]
1982		
Hub Assy	513003[2]

CLUTCH

Pilot Bearing

1986-1982	4-cylinder	
Bushing	PB650

Release Bearing

1989-1986	5-speed: Muncie trans	
Bearing Assy	614069
1989-1982	5-speed: Isuzu trans	
Bearing Assy	614108
1989-1982	4-speed	
Bearing Assy	614009

3-SPEED AUTOMATIC TRANSAXLE

Torque Converter

1989-1982		
Seal	4072N

Output Shaft

1989-1982		
Seal	3543[2]
Kwik Slv (Opt Rpr)	KWK99139[2]

Oil Pump

1984-1982	THM125: 1st design	
Seal	253747
Kwik Slv (Opt Rpr)	KWK99062

[] Indicates Quantity Required; Set Components Listed Inside Rear Cover;

¹² Opt. Kit includes seal and O ring; kit included w/hub assembly

⁶¹ Kit incl: Seal, Hub Nut, and Bearing

Bearings and Seals

Mfg./Year Model & Location Part No Mfg./Year Model & Location Part No

CHEVROLET - FRONT DRIVE - Celebrity (cont.)

3-SPEED AUTOMATIC TRANSAXLE

Selector Shaft Seal/Man. Shaft

1989-1982
 Seal 340847
 Kwik Slv (Opt Rpr) KWK99049

4-SPEED AUTOMATIC TRANSAXLE

Torque Converter

1989-1984
 Seal 4072N

Output Shaft

1989-1984
 Seal (LH) 710096
 Kwik Slv (Opt Rpr) (LH) KWK99139
 Seal (RH) 3543
 Kwik Slv (Opt Rpr) (RH) KWK99139

Selector Shaft Seal/Man. Shaft

1989-1984
 Seal 340847
 Kwik Slv (Opt Rpr) KWK99049

4-SPEED MANUAL TRANSAXLE

Differential

1986-1984
 Set SET11

Input Shaft

1986-1984
 Seal (front) 3732S
 Set (front) SET4
 Kwik Slv (Opt Rpr) KWK99106
 Cone/Cup (rear) 15101-15245

Output Shaft

1986-1984
 Seal (LH) 3543
 Set (LH) SET5
 Kwik Slv (Opt Rpr) (LH) KWK99138
 Seal (RH) 3543
 Cone/Cup (RH) 15101-15245
 Kwik Slv (Opt Rpr) (RH) KWK99138

Selector Shaft Seal/Man. Shaft

1986-1984
 Seal 3667

5-SPEED MANUAL TRANSAXLE

Differential

1989-1987 5-speed: Muncie trans
 Set SET11
1989-1987 5-speed: Isuzu trans
 Bearing Assy 32008XM[2]

5-SPEED MANUAL TRANSAXLE

Input Shaft

1989-1987 5-speed: Isuzu trans
 Seal 222835
 Kwik Slv (Opt Rpr) KWK99111
 Bearing Assy (front) 32206M
 Bearing Assy (rear) 30306M
1989-1987 5-speed: Muncie trans
 Bearing 305DD

Output Shaft

1989-1987 5-speed: Isuzu trans
 Seal (LH) 3543
 Set (LH) SET5
 Kwik Slv (Opt Rpr) (LH) KWK99139
 Seal (RH) 3543
 Bearing Assy (RH) 32206M
 Kwik Slv (Opt Rpr) (RH) KWK99139
1989-1987 5-speed: Muncie trans
 Seal 3543[2]
 Kwik Slv (Opt Rpr) KWK99139

Selector Shaft Seal/Man. Shaft

1989-1987
 Seal 3667

ALTERNATOR

1989-1983
 Bearing (drive end) 203FF
1989-1983
 Bearing (rear end) 100CCAB

CRANKSHAFT REAR SEAL

4 Cylinder

1989-1982 151/2.5L
 Seal 3698

6 Cylinder

1989-1985 173/2.8L
 Seal 4307V
 Seal PTFE H/D Opt. 5273
 Kwik Slv (Opt Rpr) KWK99298
1985-1982 260/4.3 diesel
 Seal Rope 5095
1984-1982 173/2.8L
 Seal 5210

TIMING COVER

4 Cylinder

1989-1982 151/2.5L
 Seal 9845
 Kwik Slv (Opt Rpr) KWK99176

CHEVROLET - FRONT DRIVE - Celebrity (cont.)

TIMING COVER

6 Cylinder

1989-1982	173/2.8L	
Seal		9845
Kwik Slv (Opt Rpr)		KWK99176
Harmonic Balancer		
Sleeves Opt.		88176
1985-1982	260/4.3 diesel	
Seal		9845
Kwik Slv (Opt Rpr)		KWK99176
Harmonic Balancer		
Sleeves Opt.		88176

CHEVROLET - FRONT DRIVE - Citation

FRONT WHEEL

1985-1980		
Hub Assy		513011K[2] ⁶¹

REAR WHEEL

1985-1980		
Hub Assy		513012[2]

CLUTCH

Pilot Bearing

1985-1980	4-cylinder	
Bushing		PB650

CLUTCH - 4 CYLINDER

Release Bearing

1985-1980		
Bearing Assy		614009

CLUTCH - 6 CYLINDER

Release Bearing

1985-1980		
Bearing Assy		614009

3-SPEED AUTOMATIC TRANSAXLE

Torque Converter

1985-1982		
Seal		4072N
1981-1980		
Seal		3583S
Kwik Slv (Opt Rpr)		KWK99172

Output Shaft

1985-1980		
Seal		3543[2]
Kwik Slv (Opt Rpr)		KWK99139[2]

3-SPEED AUTOMATIC TRANSAXLE

Selector Shaft Seal/Man. Shaft

1985-1980		
Seal		8792S

4-SPEED MANUAL TRANSAXLE

Differential

1985-1980		
Set		SET11

Input Shaft

1985-1980		
Seal (front)		3732S
Set (front)		SET4
Cone/Cup (rear)		15101-15245

Output Shaft

1985-1980		
Seal (LH)		3543
Set (LH)		SET5
Seal (RH)		3543
Cone/Cup (RH)		15101-15245

Selector Shaft Seal/Man. Shaft

1985-1980		
Seal		3667

ALTERNATOR

1985-1983		
Bearing (drive end)		203FF
1985-1980		
Bearing (rear end)		MNJ471S
1982-1980		
Bearing (drive end)		203S

CRANKSHAFT REAR SEAL

4 Cylinder

1985-1980	151/2.5L	
Seal		3698
Kwik Slv (Opt Rpr)		KWK99300

[] Indicates Quantity Required; Set Components Listed Inside Rear Cover;

⁶¹ Kit incl: Seal, Hub Nut, and Bearing Unit

Bearings and Seals

Mfg./Year Model & Location Part No Mfg./Year Model & Location Part No

CHEVROLET - FRONT DRIVE - Citation (cont.)

CRANKSHAFT REAR SEAL

6 Cylinder

1985	173/2.8L	
Seal	4307V
Seal PTFE H/D Opt.	5273
Kwik Slv (Opt Rpr)	KWK99298
1984-1980	173/2.8L	
Seal	5210

TIMING COVER

4 Cylinder

1985-1980	151/2.5L	
Seal	9845
Kwik Slv (Opt Rpr)	KWK99176
Harmonic Balancer		
Sleeves Opt.	88176

6 Cylinder

1985-1980	173/2.8L	
Seal	9845
Kwik Slv (Opt Rpr)	KWK99176
Harmonic Balancer		
Sleeves Opt.	88176

CHEVROLET - REAR DRIVE - Chevelle/Malibu

FRONT WHEEL

1983-1982		
Seal (inner)	8871[2]
Set (inner)	SET6
Set (outer)	SET34
1981-1979		
Seal (inner)	8871[2]
Set (inner)	SET6
Set (outer)	SET3
1978-1973		
Seal (inner)	8871[2]
Set (inner)	SET6
Set (outer)	SET2
1972-1964		
Seal (inner)	8705S[2]
Set (inner)	SET6
Set (outer)	SET2

REAR WHEEL

1983-1980		
Seal	8660S[2]
Cyl. Bearing	5707[2]
Kit	TRP1563TAV[2] ¹⁹
1979-1964	Chevy axle	
Seal	8660S[2]
Cyl. Bearing	5707[2]
Kit	TRP1563TAV[2] ¹⁹
1977-1973	Buick, Olds axle	
Seal	712146[2]
Set	SET9
1977-1970	Pontiac axle	
Seal	8835S[2]
Cyl. Bearing	6408[2]
Kit	TRP1559TV[2] ¹⁹

REAR AXLE

Differential Rebuild Kit

1983-1982	7.5", 7.625" ring gears	
Kit	DRK320
1983-1965	8.5" ring gear	
Kit	DRK321
1983-1965	8.75" ring gear	
Kit	DRK323

Differential

1983-1973	8.75", 8.875" ring gears	
Set	SET36
1983-1973	with 7.50", 8.125", 8.50" ring gear	
Cone/Cup	LM501349-LM501314[2]
1972-1965	12-bolt housing cover	
Set	SET36
1972-1964	10-bolt housing cover	
Cone/Cup	LM501349-LM501314[2]

Pinion

1983-1977	7.5" ring gear	
Cone/Cup (inner)	HM89449-HM89410
Seal (outer)	8610
Cone/Cup (outer)	M86649-M86610
1981-1976	8.5" ring gear	
Cone/Cup (inner)	M802048-M802011
Seal (outer)	2043
Cone/Cup (outer)	M88048-M88010
1976	8.875" ring gear	
Cone/Cup (inner)	M804049-M804010
Seal (outer)	2043
Cone/Cup (outer)	M88048-M88010
1975-1973	exc. wagon	
Cone/Cup (inner)	M802048-M802011
Seal (outer)	2043
Cone/Cup (outer)	M88048-M88010

CHEVROLET - REAR DRIVE - Chevelle/Malibu (cont.)

REAR AXLE (cont.)

Pinion (cont.)

1975-1973	wagon	
	Cone/Cup (inner)	M804049-M804010
	Seal (outer)	2043
	Cone/Cup (outer)	M88048-M88010
1972-1965	12-bolt housing cover	
	Cone/Cup (inner)	M802048-M802011
	Seal (outer)	8460N
	Cone/Cup (outer)	M88048-M88010
1972-1964	10-bolt housing cover	
	Cone/Cup (inner)	HM89449-HM89410
	Seal (outer)	8611N
	Cone/Cup (outer)	M86649-M86610

AUTOMATIC TRANSMISSION

Torque Converter

1973-1965	Powerglide	
	Seal	6712NA
	Kwik Slv (Opt Rpr)	KWK99187

Selector Shaft Seal/Man. Shaft

1973-1965	Powerglide	
	Seal	8792S

Output Shaft

1973-1965	Powerglide	
	Seal	9613S
	Kwik Slv (Opt Rpr)	KWK99187

3-SPEED AUTOMATIC TRANSMISSION

Torque Converter

1983-1976	THM200	
	Seal	3227
	Kwik Slv (Opt Rpr)	KWK99174
1979-1965	THM350, THM400	
	Seal	6712NA
	Kwik Slv (Opt Rpr)	KWK99187

Rear Seal/Ext. Housing

1983-1969	THM200, THM350	
	Seal	9613S
	Seal Kit	5200 ⁶⁴
1975-1965	THM400: 1.687" shaft	
	Seal	7038SA
	Seal Kit	5205 ⁶⁴
1975-1965	THM400: 1.890" shaft	
	Seal	9449
	Seal Kit	5208 ⁶⁴

Selector Shaft Seal/Man. Shaft

1983-1965		
	Seal	8792S

CLUTCH

Pilot Bearing

1983-1982		
	Bushing	PB652
1981-1965		
	Bushing	PB656

Release Bearing

1983-1982	260/4.3 diesel	
	Bearing Assy	614018 ⁴²
1983-1982	350/5.7L Diesel	
	Bearing Assy	614018 ⁴²
1983-1980	229/3.8L	
	Bearing Assy	614018 ⁴²
1983-1978	231/3.8L	
	Bearing Assy	614018 ⁴²
1983-1976	305/5.0L	
	Bearing Assy	614018 ⁴²
1982-1979	267/4.4L	
	Bearing Assy	614018 ⁴²
1980-1969	350/5.7L	
	Bearing Assy	614018 ⁴²
1979-1978	200/3.3L	
	Bearing Assy	614037 ⁴²
1977-1968	250/4.1L	
	Bearing Assy	614037 ⁴²
1976-1974	400/6.6L Small Block	
	Bearing Assy	614018 ⁴²
1975-1970	454/7.4L	
	Bearing Assy	614018 ⁴²
1973-1968	307/5.0L	
	Bearing Assy	614037 ⁴²
1972-1968	396,400 Big Block	
	Bearing Assy	614018 ⁴²
1969-1968	230/3.8L	
	Bearing Assy	614037 ⁴²
1968	327/5.4L bent diaphragm	
	Bearing Assy	614018 ⁴²
1968	327/5.4L flat diaphragm	
	Bearing Assy	614037 ⁴²
1967-1965	283/4.6L flat diaphragm	
	Bearing Assy	614037 ⁴²
1967-1965	283/4.6L bent diaphragm	
	Bearing Assy	614018 ⁴²

3-SPEED MANUAL TRANSMISSION

Front Input Shaft

1983-1966	Saginaw	
	Bearing	207SLB
1983-1965		
	Seal	7412S
	Kwik Slv (Opt Rpr)	KWK99125
1972-1969	Muncie	
	Bearing	307L
1968-1965	Warner	
	Bearing	307L

[] Indicates Quantity Required; Set Components Listed Inside Rear Cover;
⁴² Sealed Self-Aligning Bearing ⁶⁴ Opt. Seal and Bushing Kit

Bearings and Seals

Mfg./Year Model & Location Part No Mfg./Year Model & Location Part No

CHEVROLET - REAR DRIVE - Chevelle/Malibu (cont.)

3-SPEED MANUAL TRANSMISSION

Rear Output Shaft

1983-1966	Saginaw	
Bearing	306SLVB
1983-1965		
Seal	9613S
Seal Kit	5200 ⁶⁴
1972-1969	Muncie	
Bearing	307L
1968-1965	Warner	
Bearing	1307L

Selector Shaft Seal/Man. Shaft

1983-1965		
Seal	240735
Kwik Slv (Opt Rpr)	KWK99076

4-SPEED MANUAL TRANSMISSION

Input Shaft

1983-1966	Saginaw	
Seal	7412S
Bearing	207SLB
Kwik Slv (Opt Rpr)	KWK99125
1975-1965	Muncie	
Seal	7412S
Bearing	N1307L
Kwik Slv (Opt Rpr)	KWK99125

Rear Output Shaft

1983-1966	Saginaw	
Seal	9613S
Bearing	306SLVB
Seal Kit	5200 ⁶⁴
1975-1965	Muncie: 83mm 32-spline shaft	
Seal	9449
Bearing	308L
Seal Kit	5208 ⁶⁴
1975-1965	Muncie: 83mm 27-spline shaft	
Seal	9613S
Bearing	308L
Seal Kit	5200 ⁶⁴

Selector Shaft Seal/Man. Shaft

1983-1965		
Seal	240735
Kwik Slv (Opt Rpr)	KWK99076

ALTERNATOR

1983		
Bearing (drive end)	203FF
Bearing (rear end)	MNJ471S
1982-1972		
Bearing (drive end)	203S
Bearing (rear end)	MNJ471S
1971-1962	Delco 62 amp	
Bearing (drive end)	203F
Bearing (rear end)	203F
1971-1961	exc. 62 amp	
Bearing (drive end)	203F
Bearing (rear end)	MNJ471S

POWER STEERING

Pitman Shaft

1983-1978	605 Gear with round side cover	
Seal	710182
1979-1965	800 Gear with 4 bolt side cover	
Seal Kit	PSK1 ²⁴

Pump Shaft

1983-1967	Saginaw	
Seal	7013S
1967-1965	Federal	
Seal	8773S

MANUAL STEERING

Pitman Shaft

1983-1965		
Seal	313842

Worm Shaft

1983-1965		
Seal	474131

CRANKSHAFT REAR SEAL

6 Cylinder

1983-1982	260/4.3 diesel	
Seal Rope	5095
1983-1980	229/3.8L	
Seal	5092
1983-1978	231/3.8L	
Seal	5591
1979-1978	200/3.3L	
Seal	5092
1977-1968	250/4.1L	
Seal	5092
1969-1968	230/3.8L	
Seal	5092

8 Cylinder

1983-1982	350/5.7L Diesel	
Seal	5591
1983-1976	305/5.0L	
Seal	5092
1982-1979	267/4.4L	
Seal	5092
1980-1969	350/5.7L	
Seal	5092
1976-1974	400/6.6L Small Block	
Seal	5092
1975-1970	454/7.4L	
Seal	5072
1973-1968	307/5.0L	
Seal	5092
1972-1968	396,400 Big Block	
Seal	5072
1968	327/5.4L	
Seal	5092

66 [] Indicates Quantity Required; Set Components Listed Inside Rear Cover;

²⁴ Opt. Kit incl. seals 5683 & 5684. Not sold separately ⁶⁴ Opt. Seal and Bushing Kit

CHEVROLET - REAR DRIVE - Chevelle/Malibu (cont.)

TIMING COVER

6 Cylinder

1983-1982	260/4.3 diesel	
Seal		9845
Kwik Slv (Opt Rpr)		KWK99176
1983-1980	229/3.8L	
Seal		9845
Kwik Slv (Opt Rpr)		KWK99176
1983-1978	231/3.8L	
Seal		710163
1979-1978	200/3.3L	
Seal		9845
Kwik Slv (Opt Rpr)		KWK99176
1977-1968	250/4.1L	
Seal		9845
Kwik Slv (Opt Rpr)		KWK99176
1969-1968	230/3.8L	
Seal		9845
Kwik Slv (Opt Rpr)		KWK99176

8 Cylinder

1983-1982	350/5.7L Diesel	
Seal		472082
Kwik Slv (Opt Rpr)		KWK99199
1983-1976	305/5.0L	
Seal		9845
Kwik Slv (Opt Rpr)		KWK99176

TIMING COVER (cont.)

8 Cylinder (cont.)

1982-1979	267/4.4L	
Seal		9845
Kwik Slv (Opt Rpr)		KWK99176
1980-1969	350/5.7L	
Seal		9845
Kwik Slv (Opt Rpr)		KWK99176
1976-1974	400/6.6L Small Block	
Seal		3945
Kwik Slv (Opt Rpr)		KWK99233
1975-1970	454/7.4L	
Seal		3945
Kwik Slv (Opt Rpr)		KWK99233
1973-1968	307/5.0L	
Seal		9845
Kwik Slv (Opt Rpr)		KWK99176
1972-1968	396,400 Big Block	
Seal		3945
Kwik Slv (Opt Rpr)		KWK99233
1968	327/5.4L	
Seal		9845
Kwik Slv (Opt Rpr)		KWK99176

CHEVROLET - REAR DRIVE - Bel Air, Biscayne, Brookwood, Caprice (pre 94), Estate Wagon, Impala (pre 94), Kingswood, Townsman, Taxi, Police

FRONT WHEEL

1989-1979		
Seal (inner)		8871[2]
Set (inner)		SET6
Set (outer)		SET3
1978	Standard: 11" rotor	
Seal (inner)		8871[2]
Set (inner)		SET6
Set (outer)		SET2
1978	H/D: 12" rotor	
Seal (inner)		8871[2]
Set (inner)		SET6
Set (outer)		SET3
1977		
Seal (inner)		8871[2]
Set (inner)		SET6
Set (outer)		SET2
1976-1971		
Seal (inner)		8871[2]
Set (inner)		SET5
Set (outer)		SET3
1970-1969		
Seal (inner)		9406S[2]
Set (inner)		SET5
Set (outer)		SET3
1968	disc brakes	
Seal (inner)		9406S[2]
Set (inner)		SET6
Set (outer)		SET2

FRONT WHEEL (cont.)

1968-1961	drum brakes	
Seal (inner)		7934S[2]
Set (inner)		SET6
Set (outer)		SET2
1967	disc brakes	
Seal (inner)		8705S[2]
Set (inner)		SET6
Set (outer)		SET2
1960-1958		
Seal (inner)		7107A[2]
Cone/Cup (inner)		LM67048-LM67019[2]
Cone/Cup (outer)		LM11949-LM11919[2]
1957-1956		
Seal (inner)		6985[2]
Bearing (inner)		B40[2]
Bearing (outer)		B01[2]
1955		
Seal (inner)		6985[2]
Bearing (inner)		B40[2]
Bearing (outer)		B41[2]
1954-1946		
Seal (inner)		6064[2]
Bearing (inner)		B52[2]
Bearing (outer)		B01[2]

Bearings and Seals

Mfg./Year Model & Location Part No Mfg./Year Model & Location Part No

CHEVROLET - REAR DRIVE - Bel Air, Biscayne, Brookwood, Caprice (pre 94), Estate Wagon, Impala (pre 94), Kingswood, Townsman, Taxi, Police (cont.)

REAR WHEEL

1989-1977	8.5", 8.75", 8.875" ring gear: Pontiac axles; Wagons, Limited Slip Differential, Police, Taxi
Seal	8835S[2]
Cyl. Bearing	6408[2]
Kit	TRP1559TV[2] ¹⁹
1989-1977	7.5", 7.75", 8.5" ring gears: Chevrolet axle
Seal	8660S[2]
Cyl. Bearing	5707[2]
Kit	TRP1563TAV[2] ¹⁹
1983-1982	8.875" ring gear exc. 2.56 ratio
Seal	8835S[2]
Cyl. Bearing	6408[2]
Kit	TRP1559TV[2] ¹⁹
1983-1982	8.875" ring gear: 2.56 ratio
Seal	8660S[2]
Cyl. Bearing	5707[2]
Kit	TRP1563TAV[2] ¹⁹
1981-1976	8.875" ring gear
Seal	8835S[2]
Cyl. Bearing	6408[2]
Kit	TRP1559TV[2] ¹⁹
1979-1977	8.5" ring gear: B, O axles
Seal	712146[2]
Set	SET9
1976-1971	exc. B, O axles
Seal	8835S[2]
Cyl. Bearing	6408[2]
Kit	TRP1559TV[2] ¹⁹
1976-1971	8.5" ring gear: B, O axles
Seal	2689S[2]
Set	SET10
1970-1966	
Seal	8835S[2]
Cyl. Bearing	6408[2]
Kit	TRP1559TV[2] ¹⁹
1965	10-bolt housing cover
Seal	8660S[2]
Cyl. Bearing	5707[2]
Kit	TRP1563TAV[2] ¹⁹
1965	12-bolt housing cover
Seal	8835S[2]
Cyl. Bearing	6408[2]
Kit	TRP1559TV[2] ¹⁹
1964-1958	
Seal	5573S[2]
Bearing	RW607NR[2]
1957	
Bearing	RW307R[2]
1956-1955	
Seal	5458[2]
Bearing	RW507ER[2]
1954-1946	
Seal	450666[2]
Cyl. Bearing	R1500EL[2]

REAR AXLE

Differential Rebuild Kit

1989-1982	7.5, 7.625" ring gears
Kit	DRK320
1979-1977	8.75" ring gear
Kit	DRK323
1979-1970	8.5" ring gear
Kit	DRK321

Differential

1988-1973	7.5", 7.625", 8.5" ring gears
Cone/Cup	LM501349-LM501314[2]
1983-1973	8.75", 8.875" ring gears: P, M axles
Set	SET36
1972-1965	10-bolt housing cover
Cone/Cup	LM501349-LM501314[2]
1972-1965	12-bolt housing cover
Set	SET36
1964-1957	
Cone/Cup	LM603049-LM603014[2]
1956-1955	
Cone/Cup	17887-17831[2]

Pinion

1988-1980	7.5" ring gear: 3.125" OD
Cone/Cup (inner)	HM89249-HM89210
Seal (outer)	8610
Cone/Cup (outer)	M86649-M86610
1988-1973	8.5", 8.75" ring gears
Cone/Cup (inner)	M802048-M802011
Seal (outer)	2043
Cone/Cup (outer)	M88048-M88010
1987-1977	8.875" ring gear exc. Wagon
Cone/Cup (inner)	M802048-M802011
Seal (outer)	2043
Cone/Cup (outer)	M88048-M88010
1981-1977	7.5" ring gear: 3" OD
Cone/Cup (inner)	HM89449-HM89410
Seal (outer)	8610
Cone/Cup (outer)	M86649-M86610
1976-1973	8.875" ring gear - Wagon
Cone/Cup (inner)	M804049-M804010
Seal (outer)	2043
Cone/Cup (outer)	M88048-M88010
1972-1965	12-bolt housing cover
Cone/Cup (inner)	M802048-M802011
Seal (outer)	8460N
Cone/Cup (outer)	M88048-M88010
1972-1963	10-bolt housing cover
Cone/Cup (inner)	HM89449-HM89410
Seal (outer)	8611N
Cone/Cup (outer)	M86649-M86610
1971	P axle
Cone/Cup (inner)	M804049-M804010
Seal (outer)	2043
Cone/Cup (outer)	M88048-M88010

68 [] Indicates Quantity Required; Set Components Listed Inside Rear Cover;

¹⁹ Opt. Axle Repair Bearing. Replaces O.E. bearing & seal.

CHEVROLET - REAR DRIVE - Bel Air, Biscayne, Brookwood, Caprice (pre 94), Estate Wagon, Impala (pre 94), Kingswood, Townsman, Taxi, Police (cont.)

REAR AXLE (cont.)

Pinion (cont.)

1964-1955	
Cone/Cup (inner)	HM89449-HM89410
Seal (outer)	6818
Cone/Cup (outer)	HM88547-HM88510

AUTOMATIC TRANSMISSION

Torque Converter

1973-1953 Powerglide	
Seal	6712NA
Kwik Slv (Opt Rpr)	KWK99187
1961-1957 Turbo-Glide	
Seal	451117N
Kwik Slv (Opt Rpr)	KWK99193
1958-1946 Hydramatic	
Seal	450725N ²⁰
Kwik Slv (Opt Rpr)	KWK99260
1952-1950 Powerglide	
Seal	450303
Kwik Slv (Opt Rpr)	KWK99230

Rear Seal/Ext. Housing

1973-1950 Powerglide	
Seal	9613S
Seal Kit Opt.	5200 ⁶⁴
Kwik Slv (Opt Rpr)	KWK99187
1964-1946 Hydramatic: 1.687" shaft	
Seal	9613S
Seal Kit Opt.	5205 ⁶⁴
Kwik Slv (Opt Rpr)	KWK99187
1961-1957 Turbo-Glide	
Seal	9613S
Seal Kit Opt.	5200 ⁶⁴
Kwik Slv (Opt Rpr)	KWK99187
1958-1946 Hydramatic: 1.5" shaft	
Seal	7038SA
Seal Kit Opt.	5200 ⁶⁴
Kwik Slv (Opt Rpr)	KWK99150

Selector Shaft Seal/Man. Shaft

1973-1953 Powerglide	
Seal	8792S

3-SPEED AUTOMATIC TRANSMISSION

Torque Converter

1989-1976 THM200	
Seal	3227
Kwik Slv (Opt Rpr)	KWK99174
1989-1983 HM3L80	
Seal	6712NA
1984-1964 Turbo-Hydramatic exc. THM200	
Seal	6712NA
Kwik Slv (Opt Rpr)	KWK99187

3-SPEED AUTOMATIC TRANSMISSION

Rear Seal/Ext. Housing

1989-1969 THM200, THM350	
Seal	9613S
Seal Kit Opt.	5200 ⁶⁴
Kwik Slv (Opt Rpr)	KWK99149
1977-1967 THM375, THM400	
Seal	9449
Kwik Slv (Opt Rpr)	KWK99189

Selector Shaft Seal/Man. Shaft

1989-1970 THM200	
Seal	8792S
1989-1964 THM400	
Seal	8792S
1988-1970 THM250, 350, 375	
Seal	8792S

4-SPEED AUTOMATIC TRANSMISSION

Torque Converter

1989-1982 THM700-R4	
Seal	3227

Rear Seal/Ext. Housing

1989-1982 THM700-R4	
Seal	9613S

Selector Shaft Seal/Man. Shaft

1989-1982 THM700-R4	
Seal	8792S

CLUTCH

Release Bearing

1975-1970 6-cylinder: exc. Police, Taxi	
Bearing Assy	614037 ⁴²
1975-1970 8-cylinder	
Bearing Assy	614018 ⁴²
1972-1971 6-cylinder: Police, Taxi	
Bearing Assy	614018 ⁴²
1969-1965 engines up thru 350: exc. H/D	
Bearing Assy	614037 ⁴²
1969-1965 engines larger than 350: incl. H/D	
Bearing Assy	614018 ⁴²
1965-1964 exc. 230, 283 engines	
Bearing Assy	614018 ⁴²
1965-1964 230, 283 engines	
Bearing Assy	614037 ⁴²
1965-1961 327, 409 engines	
Bearing Assy	614018 ⁴²
1963-1959 exc. 327, 409 engines	
Bearing Assy	614037 ⁴²
1958 exc. 348 engine	
Bearing Assy	614037 ⁴²
1958 348 engine	
Bearing Assy	614018 ⁴²
1957-1955 coil spring type clutch	
Bearing Assy	614018 ⁴²

[] Indicates Quantity Required; Set Components Listed Inside Rear Cover;

²⁰ Not currently in production; check for availability

⁴² Sealed Self-Aligning Bearing

⁶⁴ Opt. Seal

Bearings and Seals

Mfg./Year Model & Location Part No Mfg./Year Model & Location Part No

CHEVROLET - REAR DRIVE - Bel Air, Biscayne, Brookwood, Caprice (pre 94), Estate Wagon, Impala (pre 94), Kingswood, Townsman, Taxi, Police (cont.)

CLUTCH (cont.)

Release Bearing (cont.)

1957-1938 exc. coil spring clutch
Bearing Assy 614037⁴²

3-SPEED MANUAL TRANSMISSION

Front Input Shaft

1973-1966 Saginaw
Seal 7412S
Bearing 207SLB
Kwik Slv (Opt Rpr) KWK99125

1972-1969 Muncie
Seal 7412S
Bearing 307L
Kwik Slv (Opt Rpr) KWK99125

1968-1965 Warner
Seal 7412S
Bearing 307L
Kwik Slv (Opt Rpr) KWK99125

1965-1961 SM318, SM319: exc. overdrive
Seal 7412S
Bearing 207SLB
Kwik Slv (Opt Rpr) KWK99125

1965-1961 SM318, SM319: with overdrive
Seal 7412S
Bearing 1207SLB
Kwik Slv (Opt Rpr) KWK99125

1960-1955 SM318: exc. overdrive
Bearing 207SLB

1960-1955 SM318: with overdrive
Bearing 1207SLB

1954-1942 SM318
Bearing 207SLB

1953-1942 L/D
Bearing 207SL

Rear Output Shaft

1973-1966 Saginaw
Seal 9613S
Bearing 306SLVB
Seal Kit Opt. 5200⁶⁴

1972-1969 Muncie
Seal 9613S
Bearing 307L
Seal Kit Opt. 5200⁶⁴

1968-1965 Warner
Seal 9613S
Bearing 1307L
Seal Kit Opt. 5200⁶⁴

1965-1961 SM319
Seal 9613S
Bearing 306LO
Seal Kit Opt. 5200⁶⁴

1965-1955 SM318
Seal 9613S
Bearing 306LO
Seal Kit Opt. 5200⁶⁴

1954-1942 SM318
Bearing 305L
Seal Kit Opt. 5200⁶⁴

Selector Shaft Seal/Man. Shaft

1973-1969 SM330 Muncie: H/D
Seal 240735
Kwik Slv (Opt Rpr) KWK99076

1973-1966 SM326 Saginaw: 76mm shaft
Seal 240735
Kwik Slv (Opt Rpr) KWK99076

1960-1946
Seal 340724

4-SPEED MANUAL TRANSMISSION

Input Shaft

1988-1966 Saginaw
Seal 7412S
Bearing 207SLB

1979-1963 Muncie
Seal 7412S
Bearing N1307L

1966-1954 Warner
Seal 7412S
Bearing 307L

Rear Output Shaft

1973-1966 Saginaw
Seal 9613S
Bearing 306SLVB
Seal Kit Opt. 5200⁶⁴

1973-1963 Muncie 27-spline
Seal 9613S
Bearing 308L
Seal Kit Opt. 5200⁶⁴

1973-1963 Muncie 32-spline
Seal 9449
Bearing 308L
Seal Kit Opt. 5200⁶⁴

1966-1954 T10 Warner: 27-spline shaft
Seal 9613S
Bearing 307L
Seal Kit Opt. 5200⁶⁴

Selector Shaft Seal/Man. Shaft

1973-1966 Saginaw
Seal 240735
Kwik Slv (Opt Rpr) KWK99076

ALTERNATOR

1989-1983 Delco 120 & 124 amp
Bearing (drive end) 203FF
Bearing (rear end) 100CCAB

1989-1961 Delco exc. 62, 70, 85, 100, 108,
120, 124 amp
Bearing (drive end) 203F
Bearing (rear end) MNJ471S

1979-1961 Delco 62 amp
Bearing (drive end) 203F
Bearing (rear end) 203F

70 [] Indicates Quantity Required; Set Components Listed Inside Rear Cover;

⁴² Sealed Self-Aligning Bearing ⁶⁴ Opt. Seal and Bushing Kit

CHEVROLET - REAR DRIVE - Bel Air, Biscayne, Brookwood, Caprice (pre 94), Estate Wagon, Impala (pre 94), Kingswood, Townsman, Taxi, Police (cont.)

GENERATOR

1962-1958	Heavy Duty	
	Bearing (drive end)	8604
	Bearing (rear end)	7017
1957-1955		
	Bearing (drive end)	203AB
	Bearing (rear end)	8503
1954-1946		
	Bearing (drive end)	203AB

DRIVESHAFT SUPPORT

1982-1966	Spicer 1280-1310: 1.1811" bearing ID	
	Bearing	206FF
	Hanger Bearing Assy	HB206FF

POWER STEERING

Pump Shaft

1975-1955	Manual Steering Worm Shaft	
	Seal	474131
	Bearing	8537

CRANKSHAFT REAR SEAL

6 Cylinder

1989-1986	262/4.3L	
	Seal Viton	4359V
	Seal PTFE H/D Opt.	5274
	Kwik Slv (Opt Rpr)	KWK99364
1985	262/4.3L	
	Seal	5092
1985-1980	231/3.8L	
	Seal	5591
1984-1980	229/3.8L	
	Seal	5092
1979-1968	250/4.1L	
	Seal	5092

8 Cylinder

1989-1977	305/5.0L	
	Seal	5092
1989-1969	350/5.7L engine code (L), (V)	
	Seal	5092
1989-1986	307/5.0L	
	Seal	5092
1985-1980	350/5.7L Diesel	
	Seal	5591
1982-1980	267/4.4L	
	Seal	5092
1976-1970	400/6.6L Small Block	
	Seal	5092
1975-1972	350/5.7L engine code (H), (J)	
	Seal	5591
1975-1970	454/7.4L	
	Seal	5072
1972-1965	396,400 Big Block	
	Seal	5072
1969-1965	327/5.4L	
	Seal	5092

CRANKSHAFT REAR SEAL (cont.)

8 Cylinder (cont.)

1969-1955	427/7.0L	
	Seal	5092
1968	307/5.0L	
	Seal	5092
1967-1965	283/4.6L	
	Seal	5092
1965-1955	409/6.7L	
	Seal	5072

TIMING COVER

6 Cylinder

1989-1985	262/4.3L	
	Seal	9845
	Kwik Slv (Opt Rpr)	KWK99176
1985-1980	229/3.8L; 231/3.8L	
	Seal	9845
	Kwik Slv (Opt Rpr)	KWK99176
1979-1968	250/4.1L	
	Seal	9845
	Kwik Slv (Opt Rpr)	KWK99176

8 Cylinder

1989-1977	305/5.0L	
	Seal	9845
	Kwik Slv (Opt Rpr)	KWK99176
1989-1986	307/5.0L	
	Seal Viton	320259
	Kwik Slv (Opt Rpr)	KWK99199
1985-1980	350/5.7L Diesel	
	Seal Viton	320259
	Kwik Slv (Opt Rpr)	KWK99199
1982-1980	267/4.4L	
	Seal	9845
	Kwik Slv (Opt Rpr)	KWK99176
1976-1970	400/6.6L Small Block	
	Seal	9845
	Kwik Slv (Opt Rpr)	KWK99233
1975-1970	454/7.4L	
	Seal	3945
	Kwik Slv (Opt Rpr)	KWK99233
1975-1969	350/5.7L	
	Seal	9845
	Kwik Slv (Opt Rpr)	KWK99176
1972-1965	396,400 Big Block	
	Seal	3945
	Kwik Slv (Opt Rpr)	KWK99233
1969-1965	327/5.4L	
	Seal	9845
	Kwik Slv (Opt Rpr)	KWK99176
1969-1955	427/7.0L	
	Seal	3945
	Kwik Slv (Opt Rpr)	KWK99176
1968	307/5.0L	
	Seal	9845
	Kwik Slv (Opt Rpr)	KWK99176
1967-1965	283/4.6L	
	Seal	9845
	Kwik Slv (Opt Rpr)	KWK99176

Bearings and Seals

Mfg./Year Model & Location Part No Mfg./Year Model & Location Part No

CHEVROLET - REAR DRIVE - Bel Air, Biscayne, Brookwood, Caprice (pre 94), Estate Wagon, Impala (pre 94), Kingswood, Townsman, Taxi, Police (cont.)

TIMING COVER (cont.)

8 Cylinder (cont.)

1965-1955 409/6.7L
 Seal 9845
 Kwik Slv (Opt Rpr)KWK99176

CHEVROLET - REAR DRIVE - Camaro, IROC, SLP, SS, Z-28

FRONT WHEEL

1989-1988 Z28, IROC
 Seal (inner) 8871[2]
 Set (inner)SET6
 Set (outer)SET3
 1989-1988 exc. Z28, IROC
 Seal (inner) 8871[2]
 Set (inner)SET6
 Set (outer)SET34
 1987-1982
 Seal (inner) 8871[2]
 Set (inner)SET6
 Set (outer)SET34
 1981-1979
 Seal (inner) 8871[2]
 Set (inner)SET6
 Set (outer)SET3
 1978-1970
 Seal (inner) 8871[2]
 Set (inner)SET6
 Set (outer)SET2
 1969-1967
 Seal (inner) 8705S[2]
 Set (inner)SET6
 Set (outer)SET2

REAR WHEEL

1989-1987 7.75" ring gear
 Seal (LH)224255
 Set (LH)SET9
 Seal (RH)710179
 Set (RH)SET9
 1989-1987 exc. 7.75" ring gear
 Seal 8660S[2]
 Cyl. Bearing5707[2]
 KitTRP1563TAV[2]¹⁹
 1986-1967
 Seal 8660S[2]
 Cyl. Bearing5707[2]
 KitTRP1563TAV[2]¹⁹

REAR AXLE

Differential Rebuild Kit

1989-1982 10-bolt housing cover w/ 7.50",
 7.625" ring gear
 KitDRK320
 1989-1986 7.75" ring gear
 KitDRK326
 1981-1970 8.5" ring gear
 KitDRK321R

REAR AXLE (cont.)

Differential Rebuild Kit (cont.)

1979-1973 12-bolt housing cover
 KitDRK323
 1972-1967 8.875" ring gear
 KitDRK323A
 1971-1967 8.2" ring gear
 KitDRK321B

Differential

1989-1976 7.5", 7.625", 8.5" ring gears
 Cone/CupLM501349-LM501314[2]
 1989-1987 7.75" ring gear
 SetSET47
 1975-1967 12-bolt housing cover
 SetSET36
 1975-1967 10-bolt housing cover
 Cone/CupLM501349-LM501314[2]

Pinion

1989-1982 7.5, 7.625" ring gears
 Cone/Cup (inner)HM89249-HM89210
 Seal (outer)8610
 Cone/Cup (outer)M86649-M86610
 1989-1987 7.75" ring gear
 Cone/Cup (inner)HM89446-HM89410
 Seal (outer)7457N
 Cone/Cup (outer)M86649-M86610
 1981-1976
 Cone/Cup (inner)M802048-M802011
 Seal (outer)2043
 Cone/Cup (outer)M88048-M88010
 1975-1967 12-bolt housing cover
 Cone/Cup (inner)M802048-M802011
 Seal (outer)8460N
 Cone/Cup (outer)M88048-M88010
 Kwik Slv (Opt Rpr)KWK99170
 1970-1967 10-bolt housing cover
 Cone/Cup (inner)HM89449-HM89410
 Seal (outer)8611N
 Cone/Cup (outer)M86649-M86610

AUTOMATIC TRANSMISSION

Torque Converter

1973-1967 Powerglide
 Seal6712NA
 Kwik Slv (Opt Rpr)KWK99187

CHEVROLET - REAR DRIVE - Camaro, IROC, SLP, SS, Z-28 (cont.)

AUTOMATIC TRANSMISSION

Rear Seal/Ext. Housing

1973-1967	Powerglide	
Seal		9613S
Seal Kit Opt.		5200 ⁶⁴

Selector Shaft Seal/Man. Shaft

1989-1970	THM200	
Seal		8792S
1989-1967	THM400	
Seal		8792S
1988-1982	THM700-R4	
Seal		8792S
1988-1970	THM250, 350, 375	
Seal		8792S
1987-1971	THM180	
Seal		8792S

3-SPEED AUTOMATIC TRANSMISSION

Torque Converter

1984-1980	THM200	
Seal		3227
Kwik Slv (Opt Rpr)		KWK99174
1981-1969	THM350, THM400	
Seal		6712NA
Kwik Slv (Opt Rpr)		KWK99187

Rear Seal/Ext. Housing

1984-1969	THM200, THM350	
Seal		9613S
Seal Kit Opt.		5200 ⁶⁴
1975-1973	THM400: 1.890" shaft	
Seal		9449
Seal Kit Opt.		5208 ⁶⁴
1975-1973	THM400: 1.687" shaft	
Seal		7038SA
Seal Kit Opt.		5205 ⁶⁴

Selector Shaft Seal/Man. Shaft

1989-1969		
Seal		8792S

4-SPEED AUTOMATIC TRANSMISSION

Torque Converter

1989-1982	THM700, 4L60-E	
Seal		3227
Kwik Slv (Opt Rpr)		KWK99174

Rear Seal/Ext. Housing

1989-1982	THM700, 4L60-E	
Seal		9613S
Seal Kit Opt.		5200 ⁶⁴

4-SPEED AUTOMATIC TRANSMISSION

Selector Shaft Seal/Man. Shaft

1989-1982		
Seal		8792S

CLUTCH

Pilot Bearing

1989-1982	6-cylinder	
Bushing H/D		PB652HD
1989-1967	8-cylinder	
Bushing H/D		PB656HD
1986-1982	4-cylinder	
Bushing H/D		PB656HD
1981-1967	6-cylinder	
Bushing H/D		PB656HD

CLUTCH - 4 CYLINDER

Release Bearing

1986-1984		
Bearing Assy		614083
1983-1982		
Bearing Assy		614018 ⁴²

CLUTCH - 6 CYLINDER

Release Bearing

1989-1985	exc. 3800/3.8L	
Bearing Assy		614083
1984-1980	exc. 231/3.8L	
Bearing Assy		614018 ⁴²
1981-1980	231/3.8L	
Bearing Assy		614037 ⁴²
1979-1967		
Bearing Assy		614037 ⁴²

CLUTCH - 8 CYLINDER

Release Bearing

1989-1985		
Bearing Assy		614083
1984-1979		
Bearing Assy		614018 ⁴²
1979-1967	exc. 5.0L	
Bearing Assy		614018 ⁴²
1978-1976	305/5.0L flat diaphragm	
Bearing Assy		614037 ⁴²
1978-1976	305/5.0L bent diaphragm	
Bearing Assy		614018 ⁴²
1973-1969	307/5.0L	
Bearing Assy		614037 ⁴²
1967	283/4.6L flat diaphragm	
Bearing Assy		614018 ⁴²
1967	283/4.6L bent diaphragm	
Bearing Assy		614037 ⁴²

3-SPEED MANUAL TRANSMISSION

Transmission Rebuild Kit

1981-1967	Saginaw	
Kit		TRK301

[] Indicates Quantity Required; Set Components Listed Inside Rear Cover;

⁴² Sealed Self-Aligning Bearing ⁶⁴ Opt. Seal and Bushing Kit

Bearings and Seals

Mfg./Year Model & Location Part No Mfg./Year Model & Location Part No

CHEVROLET - REAR DRIVE - Camaro, IROC, SLP, SS, Z-28 (cont.)

3-SPEED MANUAL TRANSMISSION

Front Input Shaft

1981-1967	Saginaw	
Seal	7412S
Bearing	207SLB
Kwik Slv (Opt Rpr)	KWK99125
1972-1969	Muncie	
Seal	7412S
Bearing	307L
Kwik Slv (Opt Rpr)	KWK99125
1968-1967	Warner	
Seal	7412S
Bearing	307L
Kwik Slv (Opt Rpr)	KWK99125

Rear Output Shaft

1981-1967	Saginaw	
Seal	9613S
Bearing	306SLVB
Seal Kit Opt.	5200 ⁶⁴
1972-1969	Muncie	
Seal	9613S
Bearing	307L
Seal Kit Opt.	5200 ⁶⁴
1968-1967	Warner	
Seal	9613S
Bearing	1307L
Seal Kit Opt.	5200 ⁶⁴

Selector Shaft Seal/Man. Shaft

1981-1967		
Seal	240735

4-SPEED MANUAL TRANSMISSION

Input Shaft

1984-1982	Warner	
Seal	7412S
Set	SET5
Kwik Slv (Opt Rpr)	KWK99125
1984-1967	Saginaw	
Seal	7412S
Bearing	207SLB
Kwik Slv (Opt Rpr)	KWK99125
1982-1974	Warner 32 spline	
Seal	7412S
Bearing	1307SL
Kwik Slv (Opt Rpr)	KWK99125
1975-1967	Muncie	
Seal	7412S
Bearing	N1307L
Kwik Slv (Opt Rpr)	KWK99125

Rear Output Shaft

1984-1982	Warner	
Seal	9613S
Cone/Cup	25877-25821
Seal Kit Opt.	5200 ⁶⁴
1984-1967	Saginaw	
Seal	9613S
Bearing	306SLVB
Seal Kit Opt.	5200 ⁶⁴

4-SPEED MANUAL TRANSMISSION (cont.)

Rear Output Shaft (cont.)

1982-1974	Warner 32 spline	
Seal	472572
Bearing	1307L
1975-1967	Muncie 27-spline	
Seal	9613S
Bearing	308L
Seal Kit Opt.	5200 ⁶⁴
1975-1967	Muncie 32-spline	
Seal	9449
Bearing	308L
Seal Kit Opt.	5208 ⁶⁴

Selector Shaft Seal/Man. Shaft

1984-1974	Warner	
Seal	7399S
Kwik Slv (Opt Rpr)	KWK99062
1984-1967	Saginaw	
Seal	240735
Kwik Slv (Opt Rpr)	KWK99076

5-SPEED MANUAL TRANSMISSION

Transmission Rebuild Kit

1989-1987	Warner T5 World Class	
Kit	TRK5W
1986-1981	Warner T5	
Kit	TRK5

Front Input Shaft

1989-1982	Warner T5, T5 World Class	
Seal	7412S
Set	SET5
Kwik Slv (Opt Rpr)	KWK99125

Front Countershaft

1989-1988	Warner T5, T5 World Class	
Cone/Cup (front)	LM67048-LM67010BCE
Set (rear)	SET6
Needle Bearing Thrust	NTA1423
1987-1982	Warner T5	
Needle Bearing (front)	DK55836
Cyl. Bearing (rear)	5707
Needle Bearing Thrust	NTA1423

Mainshaft Pilot

1989-1982	Warner T5, T5 World Class	
Needle Bearing	QBR23549[15]

Rear Output Shaft

1989-1982	Warner T5, T5 World Class	
Seal	9613S
Cone/Cup	25877-25821
Seal Kit Opt.	5200 ⁶⁴

74 [] Indicates Quantity Required; Set Components Listed Inside Rear Cover;

⁶⁴ Opt. Seal and Bushing Kit

CHEVROLET - REAR DRIVE - Camaro, IROC, SLP, SS, Z-28 (cont.)

A/C COMPRESSOR

1989-1967	
Bearing	907257
1989-1975	
Bearing (Frt head)	S128

ALTERNATOR

1989	
Bearing (rear end)	100CCAB
1989-1983	
Bearing (drive end)	203FF
1989-1967	
Bearing (rear end)	MNJ471S
1982-1972	
Bearing (drive end)	203S
1971-1967	
Bearing (drive end)	203F

POWER STEERING

Pitman Shaft

1987-1982	
Seal Kit	PSK1 ²⁴
1981-1980 800 Gear with 4 bolt side cover	
Seal (inner)	471413
Seal (outer)	7412S
Seal Kit	PSK1 ²⁴
1981-1980 605 Gear with round side cover	
Seal	710285

Pump Shaft

1989-1987	
Seal	7013S
1986-1983 integral reservoir	
Bearing	203FF
1986-1967 remote reservoir	
Seal	7013S

Worm Shaft

1987-1980	
Seal	222025

MANUAL STEERING

Pitman Shaft

1979-1967	
Seal	313842

Worm Shaft

1979-1967	
Seal	474131
Bearing	8537

CRANKSHAFT REAR SEAL

4 Cylinder

1986-1982 151/2.5L	
Seal	3698

CRANKSHAFT REAR SEAL

6 Cylinder

1989-1982 173/2.8L	
Seal	4307V
Seal PTFE H/D Opt.	5273
Kwik Slv (Opt Rpr)	KWK99298
1981-1980 231/3.8L	
Seal	5591
1981-1980 229/3.8L	
Seal	5092
1979-1968 250/4.1L	
Seal	5092
1969-1968 230/3.8L	
Seal	5092

8 Cylinder

1989-1987 350/5.7L	
Seal Viton	4359V
Seal PTFE H/D Opt.	5274
Kwik Slv (Opt Rpr)	KWK99364
1989-1986 305/5.0L	
Seal Viton	4359V
Seal PTFE H/D Opt.	5274
Kwik Slv (Opt Rpr)	KWK99364
1985-1976 305/5.0L	
Seal	5092
1981-1980 267/4.4L	
Seal	5092
1981-1967 350/5.7L	
Seal	5092
1973-1969 307/5.0L	
Seal	5092
1972-1967 396,400 Big Block	
Seal	5072
1969-1968 302/5.0L	
Seal	5092
1969-1967 327/5.4L	
Seal	5092

TIMING COVER

4 Cylinder

1986-1982 151/2.5L	
Seal	9845
Kwik Slv (Opt Rpr)	KWK99176

6 Cylinder

1989-1982 173/2.8L	
Seal	9845
Kwik Slv (Opt Rpr)	KWK99176
1981-1980 231/3.8L	
Seal	710163
1981-1980 229/3.8L	
Seal	9845
Kwik Slv (Opt Rpr)	KWK99176
1979-1968 250/4.1L	
Seal	9845
Kwik Slv (Opt Rpr)	KWK99176
1969-1968 230/3.8L	
Seal	9845
Kwik Slv (Opt Rpr)	KWK99176

[] Indicates Quantity Required; Set Components Listed Inside Rear Cover;

²⁴ Opt. Kit incl. seals 5683 & 5684. Not sold separately

Bearings and Seals

Mfg./Year Model & Location Part No Mfg./Year Model & Location Part No

CHEVROLET - REAR DRIVE - Camaro, IROC, SLP, SS, Z-28 (cont.)

TIMING COVER

8 Cylinder

1989-1967	350/5.7L	
Seal		9845
Kwik Slv (Opt Rpr)	KWK99176	
1989-1976	305/5.0L	
Seal		9845
Kwik Slv (Opt Rpr)	KWK99176	
1981-1980	267/4.4L	
Seal		9845
Kwik Slv (Opt Rpr)	KWK99176	
1973-1969	307/5.0L	
Seal		9845
Kwik Slv (Opt Rpr)	KWK99176	
1972-1967	396,400 Big Block	
Seal		3945
Kwik Slv (Opt Rpr)	KWK99233	

TIMING COVER (cont.)

8 Cylinder (cont.)

1969-1968	302/5.0L	
Seal		9845
Kwik Slv (Opt Rpr)	KWK99176	
1969-1967	327/5.4L	
Seal		9845
Kwik Slv (Opt Rpr)	KWK99176	
1967	283/4.6L	
Seal		9845
Kwik Slv (Opt Rpr)	KWK99176	

CHEVROLET - REAR DRIVE - Chevette

FRONT WHEEL

1987-1976	
Seal (inner)	3357[2]
Set (inner)	SET4
Set (outer)	SET1

REAR WHEEL

1987-1976	
Seal	3348[2]
Cyl. Bearing	C5107EV[2]

REAR AXLE

Differential

1987-1976	
Cone/Cup	LM29749-LM29711[2]

Pinion

1987-1976	
Cone/Cup (inner)	M88048S-M88010
Cone/Cup (inner) Opt: substitute for M88048S	M88047-M88010
Seal (outer)	2440
Cone/Cup (outer)	M84548-M84510

3-SPEED AUTOMATIC TRANSMISSION

Torque Converter

1987-1976	THM200	
Seal		3227
Kwik Slv (Opt Rpr)	KWK99174	
1987-1976	THM180	
Seal		6712NA
Kwik Slv (Opt Rpr)	KWK99187	

3-SPEED AUTOMATIC TRANSMISSION

Rear Seal/Ext. Housing

1987-1976	
Seal	9613S
Kwik Slv (Opt Rpr)	KWK99149

Selector Shaft Seal/Man. Shaft

1987-1976	
Seal	8792S
Kwik Slv (Opt Rpr)	KWK99050

CLUTCH

Pilot Bearing

1987-1981		
Bushing		PB652
1986-1981	diesel engine	
Bearing		203FF
1980-1976		
Bushing		PB656

Release Bearing

1987-1976	gas engine	
Bearing Assy		614018 ⁴²
1986-1981	diesel engine	
Bearing Only		01496

4-SPEED MANUAL TRANSMISSION

Input Shaft

1987-1976	
Seal	483488
Bearing	206SL
Kwik Slv (Opt Rpr)	KWK99122

76 [] Indicates Quantity Required; Set Components Listed Inside Rear Cover;

⁴² Sealed Self-Aligning Bearing

CHEVROLET - REAR DRIVE - Chevette (cont.)

4-SPEED MANUAL TRANSMISSION

Rear Output Shaft

1987-1976	
Seal	9613S
Bearing	206L
Kwik Slv (Opt Rpr)	KWK99149

5-SPEED MANUAL TRANSMISSION

Front Input Shaft

1987-1976	gas engine
Seal	7412S
Set	SET5
Kwik Slv (Opt Rpr)	KWK99125
1986-1981	diesel engine
Seal	1990
Kwik Slv (Opt Rpr)	KWK99106

Rear Output Shaft

1987-1976	
Seal	9613S
Kwik Slv (Opt Rpr)	KWK99149

ALTERNATOR

1987-1983	gas engine
Bearing (drive end)	203FF
1987-1976	gas engine
Bearing (rear end)	MNJ471S
1986-1981	diesel engine
Bearing (drive end)	303CC
1982-1976	gas engine
Bearing (drive end)	203S

CAMSHAFT SEAL

4 Cylinder

1987-1976	gas engine
Seal	6936S
Kwik Slv (Opt Rpr)	KWK99176
1986-1981	diesel engine
Seal	222860
Kwik Slv (Opt Rpr)	KWK99111

CRANKSHAFT REAR SEAL

4 Cylinder

1987-1976	gas engine
Seal	3698
Kwik Slv (Opt Rpr)	KWK99300
1986-1981	diesel engine
Seal	717005
Kwik Slv (Opt Rpr)	KWK99364

TIMING COVER

4 Cylinder

1987-1976	gas engine
Seal	9845
Kwik Slv (Opt Rpr)	KWK99176
1986-1981	diesel engine
Seal	224025
Kwik Slv (Opt Rpr)	KWK99157

CHEVROLET - REAR DRIVE - Chevy II, Nova

FRONT WHEEL

1979	
Seal (inner)	8871[2]
Set (inner)	SET6
Set (outer)	SET3
1978-1975	
Seal (inner)	8871[2]
Set (inner)	SET6
Set (outer)	SET2
1974-1964	
Seal (inner)	8705S[2]
Set (inner)	SET6
Set (outer)	SET2
1963-1962	
Seal (inner)	7537S[2]
Set (inner)	SET4
Set (outer)	SET1

REAR WHEEL

1979-1964	
Seal	8660S[2]
Cyl. Bearing	5707[2]
Kit	TRP1563TAV[2] ¹⁹

REAR WHEEL (cont.)

1963-1962	
Seal	8293S[2]
Bearing	RW506AR[2]

REAR AXLE

Differential Rebuild Kit

1979-1962	10-bolt housing cover w/ 8.50" ring gear
Kit	DRK321
1979-1962	12-bolt housing cover
Kit	DRK323

Differential

1979-1973	
Cone/Cup	LM501349-LM501314[2]
1972-1965	12-bolt housing cover
Set	SET36
1972-1964	10-bolt housing cover
Cone/Cup	LM501349-LM501314[2]
1963-1962	
Set	SET45

[] Indicates Quantity Required; Set Components Listed Inside Rear Cover;
¹⁹ Opt. Axle Repair Bearing. Replaces O.E. bearing & seal.

Bearings and Seals

Mfg./Year Model & Location Part No Mfg./Year Model & Location Part No

CHEVROLET - REAR DRIVE - Chevy II, Nova (cont.)

REAR AXLE

Pinion

1979-1976	7.5" ring gear	
	Cone/Cup (inner)	HM89449-HM89410
	Seal (outer)	8610
	Cone/Cup (outer)	M86649-M86610
1979-1976	8.5" ring gear	
	Cone/Cup (inner)	M802048-M802011
	Seal (outer)	2043
	Cone/Cup (outer)	M88048-M88010
1975-1973		
	Cone/Cup (inner)	M802048-M802011
	Seal (outer)	2043
	Cone/Cup (outer)	M88048-M88010
1972-1964	10-bolt housing cover	
	Cone/Cup (inner)	HM89449-HM89410
	Seal (outer)	8611N
	Cone/Cup (outer)	M86649-M86610
1972-1964	12-bolt housing cover	
	Cone/Cup (inner)	M802048-M802011
	Seal (outer)	8460N
	Cone/Cup (outer)	M88048-M88010
1963-1962		
	Cone/Cup (inner)	HM88649-HM88610
	Seal (outer)	8611N
	Cone/Cup (outer)	M86649-M86610

AUTOMATIC TRANSMISSION

Torque Converter

1973-1962	Powerglide	
	Seal	6712NA
	Kwik Slv (Opt Rpr)	KWK99187

Rear Seal/Ext. Housing

1973-1962	Powerglide	
	Seal	9613S
	Seal Kit Opt.	5200 ⁶⁴

Selector Shaft Seal/Man. Shaft

1979-1962	Powerglide	
	Seal	340847
	Kwik Slv (Opt Rpr)	KWK99050

3-SPEED AUTOMATIC TRANSMISSION

Torque Converter

1979-1967	exc. THM200	
	Seal	6712NA
	Kwik Slv (Opt Rpr)	KWK99187
1977-1976	THM200	
	Seal	3227
	Kwik Slv (Opt Rpr)	KWK99174

3-SPEED AUTOMATIC TRANSMISSION

Rear Seal/Ext. Housing

1979-1962		
	Seal	9613S
	Kwik Slv (Opt Rpr)	KWK99149

Selector Shaft Seal/Man. Shaft

1979-1962		
	Seal	8792S

CLUTCH

Pilot Bearing

1979-1962		
	Bushing	PB656

CLUTCH - 4 CYLINDER

Release Bearing

1970-1962	153/2.5L	
	Bearing Assy	614037 ⁴²

CLUTCH - 6 CYLINDER

Release Bearing

1979-1966	250/4.1L Nova	
	Bearing Assy	614037 ⁴²
1979-1966	250/4.1L Chevy II	
	Bearing Assy	614018 ⁴²
1970-1962	230/3.8L	
	Bearing Assy	614037 ⁴²
1965-1962	194/3.2l	
	Bearing Assy	614037 ⁴²

CLUTCH - 8 CYLINDER

Release Bearing

1979-1968	350/5.7L	
	Bearing Assy	614018 ⁴²
1975	262/4.3L	
	Bearing Assy	614018 ⁴²
1973-1968	307/5.0L	
	Bearing Assy	614037 ⁴²
1970-1965	396,400 Big Block	
	Bearing Assy	614018 ⁴²
1968-1964	327/5.4L 4-speed and/or 4bbl carburetor	
	Bearing Assy	614018 ⁴²
1968-1962	327/5.4L exc. 4-speed and/or 4 bbl carburetor	
	Bearing Assy	614037 ⁴²
1967-1962	283/4.6L flat diaphragm	
	Bearing Assy	614037 ⁴²
1967-1962	283/4.6L bent diaphragm	
	Bearing Assy	614018 ⁴²

3-SPEED MANUAL TRANSMISSION

Transmission Rebuild Kit

1979-1966	Saginaw	
	Kit	TRK301

78 [] Indicates Quantity Required; Set Components Listed Inside Rear Cover;

⁴² Sealed Self-Aligning Bearing ⁶⁴ Opt. Seal and Bushing Kit

CHEVROLET - REAR DRIVE - Chevy II, Nova (cont.)

3-SPEED MANUAL TRANSMISSION

Front Input Shaft

1979-1966	SM326 Saginaw	
Seal	7412S
Bearing	207SLB
Kwik Slv (Opt Rpr)	KWK99125
1972-1969	Muncie	
Seal	7412S
Bearing	307L
Kwik Slv (Opt Rpr)	KWK99125
1968-1965	Warner	
Seal	7412S
Bearing	307L
Kwik Slv (Opt Rpr)	KWK99125
1965-1962	SM318, SM319: with overdrive	
Seal	7412S
Bearing	1207SLB
Kwik Slv (Opt Rpr)	KWK99125
1965-1962	SM318, SM319: exc. overdrive	
Seal	7412S
Bearing	207SLB
Kwik Slv (Opt Rpr)	KWK99125

Rear Output Shaft

1979-1966	SM326 Saginaw	
Seal	9613S
Bearing	306SLVB
Seal Kit Opt.	5200 ⁶⁴
1969	Muncie	
Seal	9613S
Bearing	307L
Seal Kit Opt.	5200 ⁶⁴
1968-1965	Warner	
Seal	9613S
Bearing	1307L
Seal Kit Opt.	5200 ⁶⁴
1965-1962	SM319	
Seal	9613S
Bearing	306LO
Seal Kit Opt.	5200 ⁶⁴

Selector Shaft Seal/Man. Shaft

1979-1962		
Seal	240735
Kwik Slv (Opt Rpr)	KWK99076

4-SPEED MANUAL TRANSMISSION

Input Shaft

1979-1973	Saginaw	
Seal	7412S
Bearing	207SLB
Kwik Slv (Opt Rpr)	KWK99125
1979-1963	Muncie	
Seal	7412S
Bearing	N1307L
Kwik Slv (Opt Rpr)	KWK99125
1969-1966	Saginaw	
Seal	7412S
Bearing	207SLB
Kwik Slv (Opt Rpr)	KWK99125

Rear Output Shaft

1979-1966	Saginaw	
Seal	9613S
Bearing	306SLVB
Seal Kit Opt.	5200 ⁶⁴
1979-1963	Muncie 32-spline	
Seal	9449
Bearing	308L
Seal Kit Opt.	5208 ⁶⁴
1979-1963	Muncie 27-spline	
Seal	9613S
Bearing	308L
Seal Kit Opt.	5200 ⁶⁴

Selector Shaft Seal/Man. Shaft

1979-1966		
Seal	240735
Kwik Slv (Opt Rpr)	KWK99076

5-SPEED MANUAL TRANSMISSION

Rear Output Shaft

1979-1963	Warner T50	
Seal	9613S

ALTERNATOR

1979-1972		
Bearing (drive end)	203S
1979-1972		
Bearing (rear end)	MNJ471S
1971-1962	exc. 62 amp	
Bearing (drive end)	203FF
1971-1962	exc. 62 amp	
Bearing (rear end)	MNJ471S

POWER STEERING

Pitman Shaft

1979-1968	800 Gear with 4 bolt side cover	
Seal Kit	PSK1 ²⁴

Pump Shaft

1979-1968		
Seal	7013S

Worm Shaft

1979-1968		
Seal	351267

MANUAL STEERING

Pitman Shaft

1979-1962		
Seal	313842

Worm Shaft

1979-1969		
Seal	7013S
1968-1962		
Seal	343185

[] Indicates Quantity Required; Set Components Listed Inside Rear Cover;

²⁴ Opt. Kit incl. seals 5683 & 5684. Not sold separately

⁶⁴ Opt. Seal and Bushing Kit

Bearings and Seals

Mfg./Year Model & Location Part No Mfg./Year Model & Location Part No

CHEVROLET - REAR DRIVE - Chevy II, Nova (cont.)

CRANKSHAFT REAR SEAL

4 Cylinder

1970-1962 153/2.5L
Seal 5092

6 Cylinder

1979-1966 250/4.1L
Seal 5092
1970-1962 230/3.8L
Seal 5092
1965-1962 194/3.2l
Seal 5092

8 Cylinder

1979-1976 305/5.0L
Seal 5092
1979-1968 350/5.7L
Seal 5092
1975 262/4.3L
Seal 5092
1973-1968 307/5.0L
Seal 5092
1970-1968 396,400 Big Block
Seal 5072
1968-1962 327/5.4L
Seal 5092
1967-1962 283/4.6L
Seal 5092

TIMING COVER

4 Cylinder

1970-1962 153/2.5L
Seal 9845
Kwik Slv (Opt Rpr)KWK99176
Harmonic Balancer
Sleeves Opt. 88176

6 Cylinder

1979-1966 250/4.1L
Seal 9845
Kwik Slv (Opt Rpr)KWK99176
Harmonic Balancer
Sleeves Opt. 88176
1970-1962 230/3.8L
Seal 9845
Kwik Slv (Opt Rpr)KWK99176
Harmonic Balancer
Sleeves Opt. 88176

TIMING COVER (cont.)

6 Cylinder (cont.)

1965-1962 194/3.2l
Seal 9845
Kwik Slv (Opt Rpr)KWK99176
Harmonic Balancer
Sleeves Opt. 88176

8 Cylinder

1979-1976 305/5.0L
Seal 9845
Kwik Slv (Opt Rpr)KWK99176
Harmonic Balancer
Sleeves Opt. 88176
1979-1968 350/5.7L
Seal 9845
Kwik Slv (Opt Rpr)KWK99176
Harmonic Balancer
Sleeves Opt. 88176
1975 262/4.3L
Seal 9845
Kwik Slv (Opt Rpr)KWK99176
Harmonic Balancer
Sleeves Opt. 88176
1973-1968 307/5.0L
Seal 9845
Kwik Slv (Opt Rpr)KWK99176
Harmonic Balancer
Sleeves Opt. 88176
1970-1968 396,400 Big Block
Seal 3945
Kwik Slv (Opt Rpr)KWK99233
Harmonic Balancer
Sleeves Opt. 88233
1968-1962 327/5.4L
Seal 9845
Kwik Slv (Opt Rpr)KWK99176
Harmonic Balancer
Sleeves Opt. 88176
1967-1962 283/4.6L
Seal 9845
Kwik Slv (Opt Rpr)KWK99176
Harmonic Balancer
Sleeves Opt. 88176

CHEVROLET - REAR DRIVE - Corvair, Corvan, Greenbrier van, Lakewood wagon, Loadside, Rampside

FRONT WHEEL

1969-1966
Seal (inner)8705S[2]
Set (inner)SET6
Set (outer)SET2

FRONT WHEEL (cont.)

1965 exc. trucks and vans
Seal (inner)8705S[2]
Set (inner)SET6
Set (outer)SET2

CHEVROLET - REAR DRIVE - Corvair, Corvan, Greenbrier van, Lakewood wagon, Loadside, Rampside (cont.)

FRONT WHEEL (cont.)

1965-1961	trucks and vans	
Seal (inner)	7934S[2]
Set (inner)	SET6
Set (outer)	SET2
1964-1960	exc. trucks and vans	
Seal (inner)	7537S[2]
Set (inner)	SET4
Set (outer)	SET1

REAR WHEEL

1969-1965		
Seal (inner)	9178S[2]
Cone/Cup (inner)	M86649-M86610[2]
Set (outer)	SET6

REAR AXLE

Differential

1969-1960		
Seal	471707N[2]
Set	SET37[2]

Pinion

1969-1960		
Cone/Cup (inner)	M88048-M88010
Cone/Cup (outer)	M88048-M88010

AUTOMATIC TRANSMISSION

Tempestorque

1969-1960	Front Pump	
Seal	451169N
1969-1960	Differential	
Seal	471707N[2]
Set	SET37[2]
1969-1960	Pinion	
Seal	471193N[2]
Cone/Cup	M88048-M88010[2]

CLUTCH

Release Bearing

1969-1964	exc. trucks and vans	
Bearing Assy	614018 ⁴²
1965-1964	trucks and vans: from late '64	
Bearing Assy	614018 ⁴²
1964	trucks and vans: to early '64	
Bearing Only	G1697C
1963-1960		
Bearing Only	G1697C

3-SPEED MANUAL TRANSMISSION

Front Input Shaft

1969-1965		
Bearing	207SLB
1964-1960		
Cone	43207C

3-SPEED MANUAL TRANSMISSION

Rear Output Shaft

1969-1965		
Bearing	207SL1
1964-1960		
Bearing	206SL

Selector Shaft Seal/Man. Shaft

1969-1960		
Seal	472705

4-SPEED MANUAL TRANSMISSION

Input Shaft

1969-1966		
Bearing	207SLB
1965-1964		
Bearing	1207SLB
1963-1961		
Cone	43207C

Rear Output Shaft

1969-1966		
Bearing	207SL1
1965-1961	2nd Design	
Bearing	207SL
1961	1st Design	
Cone	43207C

Selector Shaft Seal/Man. Shaft

1969-1961		
Seal	472705

ALTERNATOR

1969-1962	exc. 62 amp	
Bearing (drive end)	203F
1969-1962	exc. 62 amp	
Bearing (rear end)	MNJ471S
1969-1960	62 amp	
Bearing (drive end)	203F
1969-1960	62 amp	
Bearing (rear end)	203F

GENERATOR

1962-1960		
Bearing (front)	203AB
Bearing (rear)	203FF

CRANKSHAFT REAR SEAL

4 Cylinder

1969-1960		
Seal	7338N

[] Indicates Quantity Required; Set Components Listed Inside Rear Cover;
⁴² Sealed Self-Aligning Bearing

Bearings and Seals

Mfg./Year Model & Location Part No Mfg./Year Model & Location Part No

CHEVROLET - REAR DRIVE - Corvair, Corvan, Greenbrier van, Lakewood wagon, Loadside, Rampside (cont.)

TIMING COVER

4 Cylinder

1969-1960

Seal7456N
Kwik Slv (Opt Rpr)KWK99160

CHEVROLET - REAR DRIVE - Corvette

FRONT WHEEL

1989-1984

Hub Assy 513019[2]

1982-1969

Seal (inner)9406S[2]
Set (inner)SET5
Set (outer)SET3

1968-1963

Seal (inner)7934S[2]
Set (inner)SET6
Set (outer)SET2

1962-1958

Seal (inner) 6064[2]
Bearing (inner)B70[2]
Bearing (outer)B67[2]

1957-1953

Seal (inner) 6064[2]
Bearing (inner)B52[2]
Bearing (outer)B01[2]

REAR WHEEL

1989-1984

Hub Assy 513020[2]

1982-1963

Seal (inner)9178S[2]
Cone/Cup (inner)M86649-M86610[2]
Seal (outer)5113[2]
Set (outer)SET5

1962-1958

BearingRW607NR[2]

1957

BearingRW307R[2]

1956-1955

BearingRW507ER[2]

REAR AXLE

Differential Rebuild Kit

1989-1984 Dana 36ICA axle
KitDRK338

1989-1984 Dana 44ICA axle
KitDRK339A

1982-1980 Dana 44ICA axle
KitDRK339

1979-1963 8.5" ring gear
KitDRK323

REAR AXLE

Differential

1989-1985 automatic trans
Seal 3543[2]
Cone/CupLM501349-LM501314[2]

1989-1985 manual trans
Seal Viton473227V
SetSET36
Kwik Slv (Opt Rpr)KWK99150

1984

Seal Viton473227V
SetSET45
Kwik Slv (Opt Rpr)KWK99150

1982-1980

SetSET37

1979-1963

SetSET36

1962-1957

Cone/CupLM603049-LM603014[2]

1956

Cone/Cup 17887-17831[2]

1955-1953

Cone/Cup 16986-16929[2]

Pinion

1989-1984 automatic trans
Cone/Cup (inner)HM88649-HM88610
Seal Viton (outer)5778V
Cone/Cup (outer)M86647-M86610
Kwik Slv (Opt Rpr)KWK99155

1989-1984 manual trans
Cone/Cup (inner)M802048-M802011
Seal (outer)9316
Cone/Cup (outer)M88048-M88010
Kwik Slv (Opt Rpr)KWK99187

1982-1980

Cone/Cup (inner)HM88649-HM88610
Seal (outer)5778
Cone/Cup (outer)M86647-M86610
Kwik Slv (Opt Rpr)KWK99155

1979-1963

Cone/Cup (inner)M802048-M802011
Seal (outer)8460N
Cone/Cup (outer)M88048-M88010

1962-1956

Cone/Cup (inner)HM89449-HM89410
Seal (outer)6818
Cone/Cup (outer)HM88547-HM88510

CHEVROLET - REAR DRIVE - Corvette (cont.)

AUTOMATIC TRANSMISSION

Torque Converter

1973-1953 Powerglide
 Seal 6712NA
 Kwik Slv (Opt Rpr)KWK99187

Rear Seal/Ext. Housing

1973-1955 Powerglide
 Seal 9613S
 Cone 43206
 Seal Kit Opt. 5200⁶⁴

Selector Shaft Seal/Man. Shaft

1973-1968
 Seal 340847
 Kwik Slv (Opt Rpr)KWK99050

3-SPEED AUTOMATIC TRANSMISSION

Torque Converter

1981-1967
 Seal 6712NA
 Kwik Slv (Opt Rpr)KWK99187

Rear Seal/Ext. Housing

1981-1975 THM350
 Seal 9613S
 Seal Kit Opt. 5200⁶⁴
1979-1967 THM400: 1.890" shaft
 Seal 9449
 Seal Kit Opt. 5208⁶⁴
1977-1967 THM400: 1.687" shaft
 Seal 7038SA
 Seal Kit Opt. 5205⁶⁴

Selector Shaft Seal/Man. Shaft

1981-1967
 Seal 8792S

4-SPEED AUTOMATIC TRANSMISSION

Torque Converter

1989-1982 THM700, 4L60-E
 Seal 3227
 Kwik Slv (Opt Rpr)KWK99174

Rear Seal/Ext. Housing

1989-1981 THM700, 4L60-E
 Seal 9613S
 Seal Kit Opt. 5200⁶⁴

Selector Shaft Seal/Man. Shaft

1989-1982 THM700, 4L60-E
 Seal 8792S

CLUTCH

Pilot Bearing

1989-1984
 Bearing 57080
1982-1953
 BushingPB656

CLUTCH - 6 CYLINDER

Release Bearing

1955-1953
 Bearing Assy 614018⁴²

CLUTCH - 8 CYLINDER

Release Bearing

1989
 Bearing Assy 614117
1988-1984
 Bearing Assy 614083
1982-1955
 Bearing Assy 614018⁴²

3-SPEED MANUAL TRANSMISSION

Front Input Shaft

1970-1966 SM326 Saginaw: 76mm shaft
 Seal 7412S
 Bearing 207SLB
1965-1961 SM318, SM319: with overdrive
 Seal 7412S
 Bearing 1207SLB
1965-1961 SM318, SM319: exc. overdrive
 Seal 7412S
 Bearing 207SLB
1960-1955 SM318: with overdrive
 Bearing 1207SLB
1960-1955 SM318: exc. overdrive
 Bearing 207SLB
1954-1953 SM318
 Bearing 207SLB

Rear Output Shaft

1970-1953
 Seal 9613S
 Seal Kit Opt. 5200⁶⁴

Selector Shaft Seal/Man. Shaft

1970-1953
 Seal 240735
 Kwik Slv (Opt Rpr)KWK99076

4-SPEED MANUAL TRANSMISSION

Transmission Rebuild Kit

1987-1984 Warner T10
 Kit TRK10WB

[] Indicates Quantity Required; Set Components Listed Inside Rear Cover;
⁴² Sealed Self-Aligning Bearing ⁶⁴ Opt. Seal and Bushing Kit

Bearings and Seals

Mfg./Year Model & Location Part No Mfg./Year Model & Location Part No

CHEVROLET - REAR DRIVE - Corvette (cont.)

4-SPEED MANUAL TRANSMISSION

Input Shaft

1988-1974	Warner	
Seal	7412S
Bearing	1307SL
Kwik Slv (Opt Rpr)	KWK99125
1988-1966	Saginaw	
Seal	7412S
Bearing	207SLB
1979-1963	Muncie	
Seal	7412S
Bearing	N1307L
Kwik Slv (Opt Rpr)	KWK99125
1966-1953	Warner	
Seal	7412S
Bearing	307L
Kwik Slv (Opt Rpr)	KWK99125

Rear Output Shaft

1988-1974	Warner	
Seal	472572
Bearing	1307L
1988-1966	Saginaw	
Seal	9613S
Bearing	306SLVB
Seal Kit Opt.	5200 ⁶⁴
1979-1963	Muncie 32-spline	
Seal	9449
Bearing	308L
Seal Kit Opt.	5208 ⁶⁴
1979-1963	Muncie 27-spline	
Seal	9613S
Bearing	308L
Seal Kit Opt.	5200 ⁶⁴
1966-1953	Warner	
Seal	9613S
Bearing	307L
Seal Kit Opt.	5200 ⁶⁴

Selector Shaft Seal/Man. Shaft

1988-1974	Warner	
Seal	7399S
Kwik Slv (Opt Rpr)	KWK99062
1988-1966	Saginaw	
Seal	240735
Kwik Slv (Opt Rpr)	KWK99076

6-SPEED MANUAL TRANSMISSION

Front Input Shaft

1989	ZF	
Seal	223520
Kwik Slv (Opt Rpr)	KWK99139

Rear Output Shaft

1989	ZF	
Seal	9613S
Seal Kit Opt.	5200 ⁶⁴

A/C COMPRESSOR

1989-1960		
Bearing	907257
1989-1975		
Bearing (Frt head)	S128

ALTERNATOR

1989-1986		
Bearing (rear end)	100CCAB
1989-1984		
Bearing (drive end)	203FF
1985-1963	exc. 62 amp	
Bearing (rear end)	MNJ471S
1982-1969		
Bearing (drive end)	203S
1971-1963	62 amp	
Bearing (rear end)	203F
1968-1963		
Bearing (drive end)	203F

GENERATOR

1962-1953		
Bearing (drive end)	203AB
Bearing (rear end)	203F

POWER STEERING

Pitman Shaft

1989-1963	800 Gear with 4 bolt side cover	
Seal Kit	PSK1 ²⁴

Pump Shaft

1989-1984		
Seal	221925
Bearing	203FF
1982-1967		
Seal	7013S
1966-1963		
Seal	8773S

Worm Shaft

1989-1970		
Seal	222025

MANUAL STEERING

Pitman Shaft

1982-1963		
Seal	313842
1962-1953		
Seal	50151S

CRANKSHAFT REAR SEAL

6 Cylinder

1955-1953	235/3.9L	
Seal	5419

84 [] Indicates Quantity Required; Set Components Listed Inside Rear Cover;

²⁴ Opt. Kit incl. seals 5683 & 5684. Not sold separately ⁶⁴ Opt. Seal and Bushing Kit

CHEVROLET - REAR DRIVE - Corvette (cont.)

CRANKSHAFT REAR SEAL

8 Cylinder

1989-1986	350/5.7L	
Seal Viton		4359V
Seal PTFE H/D Opt.		5274
Kwik Slv (Opt Rpr)		KWK99364
1985-1969	350/5.7L	
Seal		5092
1980	305/5.0L California	
Seal		5092
1974-1970	454/7.4L	
Seal		5072
1969-1966	427/7.0L	
Seal		5092
1968-1962	327/5.4L	
Seal		5092
1961-1957	283/4.6L	
Seal		5092
1956-1955	265/4.3L	
Seal		5419

TIMING COVER

6 Cylinder

1955-1953	235/3.9L	
Seal		9845
Kwik Slv (Opt Rpr)		KWK99176
Harmonic Balancer		
Sleeves Opt.		88176

TIMING COVER

8 Cylinder

1989-1969	350/5.7L OHV	
Seal		9845
Kwik Slv (Opt Rpr)		KWK99176
Harmonic Balancer		
Sleeves Opt.		88176
1980	305/5.0L California	
Seal		9845
Kwik Slv (Opt Rpr)		KWK99176
Harmonic Balancer		
Sleeves Opt.		88176
1974-1970	454/7.4L	
Seal		3945
Kwik Slv (Opt Rpr)		KWK99233
Harmonic Balancer		
Sleeves Opt.		88233
1969-1966	427/7.0L	
Seal		9845
Kwik Slv (Opt Rpr)		KWK99176
Harmonic Balancer		
Sleeves Opt.		88176
1968-1962	327/5.4L	
Seal		9845
Kwik Slv (Opt Rpr)		KWK99176
Harmonic Balancer		
Sleeves Opt.		88176
1961-1957	283/4.6L	
Seal		9845
Kwik Slv (Opt Rpr)		KWK99176
Harmonic Balancer		
Sleeves Opt.		88176
1956-1955	265/4.3L	
Seal		9845
Kwik Slv (Opt Rpr)		KWK99176
Harmonic Balancer		
Sleeves Opt.		88176

CHEVROLET - REAR DRIVE - Monte Carlo

FRONT WHEEL

1988-1982		
Seal (inner)		8871[2]
Set (inner)		SET6
Set (outer)		SET34
1981-1979		
Seal (inner)		8871[2]
Set (inner)		SET6
Set (outer)		SET3
1978-1973		
Seal (inner)		8871[2]
Set (inner)		SET6
Set (outer)		SET2
1972-1970		
Seal (inner)		8705S[2]
Set (inner)		SET6
Set (outer)		SET2

REAR WHEEL

1988-1980		
Seal		8660S[2]
Cyl. Bearing		5707[2]
Kit		TRP1563TAV[2] ¹⁹
1979-1971	Chevy axle	
Seal		8660S[2]
Cyl. Bearing		5707[2]
Kit		TRP1563TAV[2] ¹⁹
1977-1973	Buick, Olds axle	
Seal		712146[2]
Set		SET9
1977-1971	Pontiac axle	
Seal		8835S[2]
Cyl. Bearing		6408[2]
Kit		TRP1559TV[2] ¹⁹
1970	cut-out differential housing cover	
Seal		712146[2]
Set		SET9

[] Indicates Quantity Required; Set Components Listed Inside Rear Cover;
¹⁹ Opt. Axle Repair Bearing. Replaces O.E. bearing & seal.

Bearings and Seals

Mfg./Year Model & Location Part No Mfg./Year Model & Location Part No

CHEVROLET - REAR DRIVE - Monte Carlo (cont.)

REAR AXLE

Differential Rebuild Kit

1988-1981	7.5", 7.625" ring gears	
Kit		DRK320
1988-1970	8.5" ring gear	
Kit		DRK321
1977-1971	8.75" ring gear	
Kit		DRK323

Differential

1988-1970	7.5", 8.125", 8.5" ring gears	
Cone/Cup		LM501349-LM501314 ^[2]
1977-1970	8.75", 8.875" ring gears	
Set		SET36

Pinion

1988-1981	7.5" ring gear	
Cone/Cup (inner)		HM89249-HM89210
Seal (outer)		8610
Cone/Cup (outer)		M86649-M86610
1988-1973	8.5" ring gear	
Cone/Cup (inner)		M802048-M802011
Seal (outer)		2043
Kwik Slv (Opt Rpr)		KWK99193
Cone/Cup (outer)		M88048-M88010
1980-1976	7.5" ring gear	
Cone/Cup (inner)		HM89449-HM89410
Seal (outer)		8610
Cone/Cup (outer)		M86649-M86610
1972-1970	8.5" ring gear	
Cone/Cup (inner)		M802048-M802011
Seal (outer)		8460N
Kwik Slv (Opt Rpr)		KWK99170
Cone/Cup (outer)		M88048-M88010

AUTOMATIC TRANSMISSION

Torque Converter

1973-1970	Powerglide	
Seal		6712NA
Kwik Slv (Opt Rpr)		KWK99187

Rear Seal/Ext. Housing

1973-1970	Powerglide	
Seal		9613S
Seal Kit Opt.		5200 ⁶⁴

Selector Shaft Seal/Man. Shaft

1973-1970	Powerglide	
Seal		340847
Kwik Slv (Opt Rpr)		KWK99050

3-SPEED AUTOMATIC TRANSMISSION

Torque Converter

1988-1970	THM200	
Seal		3227
Kwik Slv (Opt Rpr)		KWK99174
1984-1970	THM350, THM400	
Seal		6712NA
Kwik Slv (Opt Rpr)		KWK99187

Rear Seal/Ext. Housing

1988-1970	THM200	
Seal		9613S
Seal Kit Opt.		5200 ⁶⁴
1988-1970	THM350	
Seal		9613S
Seal Kit Opt.		5200 ⁶⁴
1975-1970	THM400: 1.890" shaft	
Seal		9449
Seal Kit Opt.		5208 ⁶⁴
1975-1970	THM400: 1.687" shaft	
Seal		7038SA
Seal Kit Opt.		5205 ⁶⁴

Selector Shaft Seal/Man. Shaft

1988-1970		
Seal		8792S

4-SPEED AUTOMATIC TRANSMISSION

Torque Converter

1988-1983	THM700-R4	
Seal		3227
Kwik Slv (Opt Rpr)		KWK99174

Rear Seal/Ext. Housing

1988-1983	THM700-R4	
Seal		9613S
Seal Kit Opt.		5200 ⁶⁴

Selector Shaft Seal/Man. Shaft

1988-1983	THM700-R4	
Seal		8792S

CLUTCH

Pilot Bearing

1988-1970		
Bushing		PB656

CLUTCH - 6 CYLINDER

Release Bearing

1987-1985	263/4.3L gas	
Bearing Assy		614083
1984-1980	229/3.8L	
Bearing Assy		614018 ⁴²
1983-1982	260/4.3 diesel	
Bearing Assy		614018 ⁴²
1981-1978	231/3.8L	
Bearing Assy		614018 ⁴²
1978	200/3.3L	
Bearing Assy		614037 ⁴²

CLUTCH - 8 CYLINDER

Release Bearing

1988-1984	305/5.0L	
Bearing Assy		614083
1984-1982	350/5.7L Diesel	
Bearing Assy		614018 ⁴²

CHEVROLET - REAR DRIVE - Monte Carlo (cont.)

CLUTCH - 8 CYLINDER (cont.)

Release Bearing (cont.)

1983-1979	305/5.0L	
	Bearing Assy	614018 ⁴²
1982-1979	267/4.4L	
	Bearing Assy	614018 ⁴²
1978-1976	305/5.0L	
	Bearing Assy	614037 ⁴²
1977-1975	350/5.7L	
	Bearing Assy	614018 ⁴²
1976-1970	400/6.6L Small Block	
	Bearing Assy	614018 ⁴²
1975-1970	454/7.4L	
	Bearing Assy	614018 ⁴²
1972-1971	402/6.6L	
	Bearing Assy	614018 ⁴²
1972-1970	396,400 Big Block	
	Bearing Assy	614018 ⁴²

3-SPEED MANUAL TRANSMISSION

Transmission Rebuild Kit

1981-1970	Saginaw	
	Kit	TRK301

Front Input Shaft

1981-1980	Saginaw	
	Seal	7412S
	Bearing	1207SLB
	Kwik Slv (Opt Rpr)	KWK99125
1979-1970	Saginaw	
	Seal	7412S
	Bearing	207SLB
	Kwik Slv (Opt Rpr)	KWK99125
1972-1970	Muncie	
	Seal	7412S
	Bearing	307L
	Kwik Slv (Opt Rpr)	KWK99125

Rear Output Shaft

1981-1970	Saginaw	
	Seal	9613S
	Bearing	306SLVB
	Seal Kit Opt.	5200 ⁶⁴
1972-1970	Muncie	
	Seal	9613S
	Bearing	307L
	Seal Kit Opt.	5200 ⁶⁴

Selector Shaft Seal/Man. Shaft

1981-1970		
	Seal	240735
	Kwik Slv (Opt Rpr)	KWK99076

4-SPEED MANUAL TRANSMISSION

Input Shaft

1981-1974	Warner	
	Seal	7412S
	Bearing	1307SL
	Kwik Slv (Opt Rpr)	KWK99125
1981-1970	Saginaw	
	Seal	7412S
	Bearing	207SLB
	Kwik Slv (Opt Rpr)	KWK99125
1975-1970	Muncie	
	Seal	7412S
	Bearing	N1307L
	Kwik Slv (Opt Rpr)	KWK99125

Rear Output Shaft

1981-1980	Warner	
	Seal	472572
	Bearing	1307L
	Seal Kit Opt.	5200 ⁶⁴
1981-1970	Saginaw	
	Seal	9613S
	Bearing	306SLVB
	Seal Kit Opt.	5200 ⁶⁴
1975-1970	Muncie 32-spline	
	Seal	9449
	Bearing	308L
	Seal Kit Opt.	5208 ⁶⁴
1975-1970	Muncie 27-spline	
	Seal	9613S
	Bearing	308L
	Seal Kit Opt.	5200 ⁶⁴

Selector Shaft Seal/Man. Shaft

1981-1980	Warner	
	Seal	7399S
	Kwik Slv (Opt Rpr)	KWK99062
1981-1970	Saginaw	
	Seal	240735
	Kwik Slv (Opt Rpr)	KWK99076

ALTERNATOR

1988-1970	exc. 62 amp	
	Bearing (rear end)	MNJ471S
1987-1984		
	Bearing (drive end)	203FF
1983-1972		
	Bearing (drive end)	203S
1971-1970		
	Bearing (drive end)	203F
1971-1970	62 amp	
	Bearing (rear end)	203F

POWER STEERING

Pitman Shaft

1988-1984		
	Seal Kit	PSK1 ²⁴
1983-1970	800 Gear with 4 bolt side cover	
	Seal Kit	PSK1 ²⁴

[] Indicates Quantity Required; Set Components Listed Inside Rear Cover;

²⁴ Opt. Kit incl. seals 5683 & 5684. Not sold separately
Seal and Bushing Kit

⁴² Sealed Self-Aligning Bearing

⁶⁴ Opt.

Bearings and Seals

Mfg./Year Model & Location Part No Mfg./Year Model & Location Part No

CHEVROLET - REAR DRIVE - Monte Carlo (cont.)

POWER STEERING (cont.)

Pitman Shaft (cont.)

1983-1970 605 Gear with round side cover
Seal 710285

Pump Shaft

1988-1970
Seal 7013S

Worm Shaft

1988-1970
Seal 222025

MANUAL STEERING

Pitman Shaft

1981-1970
Seal 313842

Worm Shaft

1981-1970
Seal 474131

CRANKSHAFT REAR SEAL

6 Cylinder

1988-1985 262/4.3L
Seal 5092
1983-1982 260/4.3 diesel
Seal Rope 5095
1983-1980 229/3.8L
Seal 5092
1983-1978 231/3.8L
Seal 5591
1979-1978 200/3.3L
Seal 5092

8 Cylinder

1988-1976 305/5.0L
Seal 5092
1984-1982 350/5.7L Diesel
Seal 5591
1982-1979 267/4.4L
Seal 5092
1977-1975 350/5.7L
Seal 5092
1976-1970 400/6.6L Small Block
Seal 5092
1975-1970 454/7.4L
Seal 5072
1972-1971 402/6.6L
Seal 5072
1972-1970 396,400 Big Block
Seal 5072

TIMING COVER

6 Cylinder

1988-1985 262/4.3L
Seal 9845
Kwik Slv (Opt Rpr) KWK99176
Harmonic Balancer
Sleeves Opt. 88176
1984-1980 229/3.8L
Seal 9845
Kwik Slv (Opt Rpr) KWK99176
Harmonic Balancer
Sleeves Opt. 88176
1984-1978 231/3.8L
Seal 710163
1983-1982 260/4.3 diesel
Seal 9845
Kwik Slv (Opt Rpr) KWK99176
Harmonic Balancer
Sleeves Opt. 88176
1979 200/3.3L
Seal 9845
Kwik Slv (Opt Rpr) KWK99176
Harmonic Balancer
Sleeves Opt. 88176

8 Cylinder

1988-1976 305/5.0L
Seal 9845
Kwik Slv (Opt Rpr) KWK99176
Harmonic Balancer
Sleeves Opt. 88176
1984-1982 350/5.7L Diesel
Seal 472082
Kwik Slv (Opt Rpr) KWK99199
Harmonic Balancer
Sleeves Opt. 88199
1982-1979 267/4.4L
Seal 9845
Kwik Slv (Opt Rpr) KWK99176
Harmonic Balancer
Sleeves Opt. 88176
1977-1970 350/5.7L
Seal 9845
Kwik Slv (Opt Rpr) KWK99176
Harmonic Balancer
Sleeves Opt. 88176
1976-1970 400/6.6L Small Block
Seal 3945
Kwik Slv (Opt Rpr) KWK99233
Harmonic Balancer
Sleeves Opt. 88233
1975-1970 454/7.4L
Seal 3945
Kwik Slv (Opt Rpr) KWK99233
Harmonic Balancer
Sleeves Opt. 88233
1972-1971 402/6.6L
Seal 3945
Kwik Slv (Opt Rpr) KWK99233
Harmonic Balancer
Sleeves Opt. 88233

CHEVROLET - REAR DRIVE - Monte Carlo (cont.)

TIMING COVER (cont.)

8 Cylinder (cont.)

1972-1970	396,400 Big Block	
Seal		3945
Kwik Slv (Opt Rpr)		KWK99233
Harmonic Balancer		
Sleeves Opt.		88233

CHEVROLET - REAR DRIVE - Monza, Vega

FRONT WHEEL

1980-1971		
Seal (inner)	8705S[2]	
Set (inner)	SET6	
Set (outer)	SET1	

REAR WHEEL

1980-1971		
Seal	8660S[2]	
Cyl. Bearing	5707[2]	
Kit	TRP1563TAV[2] ¹⁹	

REAR AXLE

Differential

1980-1976	7.5" ring gear	
Cone/Cup		LM501349-LM501314[2]
1977-1971	6.5" ring gear	
Cone/Cup		LM48548-LM48511[2]

Pinion

1980-1976	7.5" ring gear	
Cone/Cup (inner)		HM88649A-HM88610
Seal (outer)		8610
Cone/Cup (outer)		M86649-M86610
Kwik Slv (Opt Rpr)		KWK99155
1977-1971	6.5" ring gear W/2.660" OD	
Cone/Cup (inner)		M88048-M88010
Seal (outer)		8611N
Cone/Cup (outer)		M86649-M86610
Kwik Slv (Opt Rpr)		KWK99155
1977-1971	6.5" ring gear W/3.165" OD	
Cone/Cup (inner)		M88048-M88010
Seal (outer)		5778
Cone/Cup (outer)		M86649-M86610
Kwik Slv (Opt Rpr)		KWK99155

3-SPEED AUTOMATIC TRANSMISSION

Torque Converter

1980-1976	THM200	
Seal		3227
Kwik Slv (Opt Rpr)		KWK99174
1980-1971	THM350, 375	
Seal		6712NA
Kwik Slv (Opt Rpr)		KWK99187

3-SPEED AUTOMATIC TRANSMISSION

Rear Seal/Ext. Housing

1980-1971		
Seal		9613S
Kwik Slv (Opt Rpr)		KWK99149

Selector Shaft Seal/Man. Shaft

1980-1971		
Seal		340847
Kwik Slv (Opt Rpr)		KWK99050

CLUTCH

Pilot Bearing

1980-1971		
Bushing		PB656

CLUTCH - 4 CYLINDER

Release Bearing

1980-1971		
Bearing Assy		614018 ⁴²

3-SPEED MANUAL TRANSMISSION

Front Input Shaft

1980-1973		
Seal		7412S
Bearing		207SLB
Kwik Slv (Opt Rpr)		KWK99125
1972-1971		
Seal		472466
Bearing		306SL
Kwik Slv (Opt Rpr)		KWK99149

Rear Output Shaft

1980-1973	exc. 305 engine	
Seal		9613S
Bearing		306SL
Kwik Slv (Opt Rpr)		KWK99149
1979-1977	305 engine	
Seal		9613S
Kwik Slv (Opt Rpr)		KWK99149
1972-1971		
Seal		1174S
Bearing		306TB
Kwik Slv (Opt Rpr)		KWK99149

[] Indicates Quantity Required; Set Components Listed Inside Rear Cover;

¹⁹ Opt. Axle Repair Bearing. Replaces O.E. bearing & seal.

⁴² Sealed Self-Aligning Bearing

Bearings and Seals

Mfg./Year Model & Location Part No Mfg./Year Model & Location Part No

CHEVROLET - REAR DRIVE - Monza, Vega (cont.)

3-SPEED MANUAL TRANSMISSION

Selector Shaft Seal/Man. Shaft

1980-1976
 Seal 312518
 Kwik Slv (Opt Rpr)KWK99076

4-SPEED MANUAL TRANSMISSION

Input Shaft

1980-1973
 Seal 7412S
 Bearing 207SLB
 Kwik Slv (Opt Rpr)KWK99125
1972-1971
 Seal 472466
 Bearing 306SL
 Kwik Slv (Opt Rpr)KWK99149

Rear Output Shaft

1980-1973 exc. 305 engine
 Seal 9613S
 Bearing 306SL
 Kwik Slv (Opt Rpr)KWK99149
1979-1977 305 engine
 Seal 9613S
 Kwik Slv (Opt Rpr)KWK99149
1972-1971
 Seal 1174S
 Bearing 306TB
 Kwik Slv (Opt Rpr)KWK99149

Selector Shaft Seal/Man. Shaft

1980-1976
 Seal 312518
 Kwik Slv (Opt Rpr)KWK99076

5-SPEED MANUAL TRANSMISSION

Front Input Shaft

1980-1975
 Seal 251511
 Kwik Slv (Opt Rpr)KWK99125

Rear Output Shaft

1980-1975
 Seal 9613S
 Kwik Slv (Opt Rpr)KWK99149

Selector Shaft Seal/Man. Shaft

1980-1975
 Seal 312518
 Kwik Slv (Opt Rpr)KWK99076

POWER STEERING

Pump Shaft

1981-1971 Manual Steering Worm Shaft
 Seal 474131
 Bearing 8537

CAMSHAFT SEAL

4 Cylinder

1977-1971 140/2.3L
 Seal 9845
 Kwik Slv (Opt Rpr)KWK99176
1976-1975 121/2.0/L
 Seal 473424

CRANKSHAFT REAR SEAL

4 Cylinder

1980-1978 151/2.5L
 Seal 3698

6 Cylinder

1980-1978 231/3.8L
 Seal 5591
1979-1978 196/3.2L
 Seal Rope 5095

8 Cylinder

1979-1976 305/5.0L
 Seal 5092
1976-1975 262/4.3L
 Seal 5092
1975 350/5.7L
 Seal 5591

TIMING COVER

4 Cylinder

1980-1978 151/2.5L
 Seal 9845
 Kwik Slv (Opt Rpr)KWK99176
 Harmonic Balancer
 Sleeves 88176
1977-1971 140/2.3L
 Seal 5115
 Kwik Slv (Opt Rpr)KWK99149
1976-1975 121/2.0/L
 Seal 5115
 Kwik Slv (Opt Rpr)KWK99149

6 Cylinder

1980-1978 231/3.8L
 Seal 710163
1979-1978 196/3.2L
 Seal 9845
 Kwik Slv (Opt Rpr)KWK99176
 Harmonic Balancer
 Sleeves Opt. 88176

CHEVROLET - REAR DRIVE - Monza, Vega (cont.)

TIMING COVER

8 Cylinder

1979-1976	305/5.0L	
Seal		9845
Kwik Slv (Opt Rpr)		KWK99176
Harmonic Balancer		
Sleeves Opt.		88176
1976-1975	262/4.3L	
Seal		9845
Kwik Slv (Opt Rpr)		KWK99176
Harmonic Balancer		
Sleeves Opt.		88176

TIMING COVER (cont.)

8 Cylinder (cont.)

1975	350/5.7L	
Seal		9845
Kwik Slv (Opt Rpr)		KWK99176
Harmonic Balancer		
Sleeves Opt.		88176

CHEVROLET IMPORTS - see also GEO 1989 through 1997 - Metro, Nova, Prizm, Spectrum, Sprint

FRONT WHEEL

1988-1987	Sprint exc. turbo	
Seal		224462[2]
Bearing		107DD[4]
1988-1987	Sprint Turbo	
Seal		710175[2]
Bearing		514002B[2]
Seal		5686[2]
1988-1985	Nova	
Seal (inner)		4899[2]
Bearing (inner)		514002B[2]
Seal (outer)		225220[2]
Seal		5686[2]
1988-1985	Spectrum exc. turbo	
Seal (inner)		710098[2]
Set (inner)		SET35
Seal (outer)		224254[2]
1988-1985	Spectrum turbo	
Seal (inner)		710098[2]
Bearing Assy (inner)		517006[2]
Seal (outer)		224254[2]
1986-1985	Sprint	
Seal		224462[2]
Bearing		107DD[4]

Release Bearing

1988-1985	Nova	
Bearing Assy		614043
1988-1985	Spectrum	
Bearing Assy		614108
1988-1985	Sprint	
Bearing Assy		614050

3-SPEED AUTOMATIC TRANSAXLE

Torque Converter

1988-1985	Aisin	
Seal		223830
Kwik Slv (Opt Rpr)		KWK99147
1988-1985	Jatco F3A	
Seal Viton		710078
Kwik Slv (Opt Rpr)		KWK99177

Output Shaft

1988-1985	Jatco F3A	
Seal		223542[2]
Kwik Slv (Opt Rpr)		KWK99139
1988-1985	Aisin A210	
Seal		223540[2]
Kwik Slv (Opt Rpr)		KWK99139[2]
1988-1985	Aisin A131	
Seal		710110[2]

Differential

1988-1987	Aisin A210	
Bearing		207[2]
1988-1985	Jatco F3A	
Bearing Assy		32008XM[2]
1988-1985	Aisin A131	
Seal		710146[2]
1986-1985	Aisin A210	
Bearing		207S[2]

REAR WHEEL

1988-1985	Nova	
Seal		1180S[2]
Bearing		513031[2]
1988-1985	Spectrum	
Seal (inner)		710309[2]
Set (inner)		SET4
Set (outer)		SET1
1988-1985	Sprint	
Bearing (inner)		205F[2]
Bearing (outer)		204F[2]

CLUTCH

Pilot Bearing

1989-1985	3-cylinder1.0	
Bearing		200CC
1988-1985	1588cc/1.6L	
Cyl. Bearing		MSNB5305GTBV

Bearings and Seals

Mfg./Year Model & Location Part No Mfg./Year Model & Location Part No

CHEVROLET IMPORTS - see also GEO 1989 through 1997 - Metro, Nova, Prizm, Spectrum, Sprint (cont.)

3-SPEED AUTOMATIC TRANSAXLE

Selector Shaft Seal/Man. Shaft

1988-1985	Aisin A210	
Seal	710116
1988-1985	Aisin A131	
Seal	221207
Kwik Slv (Opt Rpr)	KWK99049

4-SPEED AUTOMATIC TRANSAXLE

Torque Converter

1988	Aisin	
Seal	223830
Kwik Slv (Opt Rpr)	KWK99147

Input Shaft

1988	Aisin	
Seal	710138
Kwik Slv (Opt Rpr)	KWK99139

Output Shaft

1988	Aisin	
Seal (LH)	710109
Seal (RH)	710110

Selector Shaft Seal/Man. Shaft

1988	Aisin	
Seal	221207
Kwik Slv (Opt Rpr)	KWK99049

5-SPEED MANUAL TRANSAXLE

Differential

1988-1985	Suzuki MX1	
Bearing	207S[2]
1988-1985	Isuzu	
Bearing Assy	32008XM[2]

Input Shaft

1988-1985	Aisin	
Seal	320603
Bearing	101SS
Kwik Slv (Opt Rpr)	KWK99098
1988-1985	Suzuki MX1	
Bearing Assy (LH)	32204
Seal (RH)	222030
Bearing (RH)	32004WB
Kwik Slv (Opt Rpr)	KWK99098
1988-1985	Isuzu	
Seal	222835
Kwik Slv (Opt Rpr)	KWK99111
Bearing Assy (front)	32206M
Bearing Assy (rear)	30306M

5-SPEED MANUAL TRANSAXLE

Countershaft

1988-1985	Suzuki MX1	
Bearing Assy (LH)	32204
Bearing Assy (RH)	32005X

Output Shaft

1988-1985	Aisin	
Seal (LH)	710109
Seal (RH)	710110
1988-1985	Suzuki MX1	
Seal (LH)	223552
Kwik Slv (Opt Rpr)	KWK99139
Seal (RH)	223535
Kwik Slv (Opt Rpr) (RH)	KWK99139
1988-1985	Isuzu	
Seal (LH)	3543
Set (LH)	SET5
Kwik Slv (Opt Rpr) (LH)	KWK99139
Seal (RH)	3543
Bearing Assy (RH)	32206M
Kwik Slv (Opt Rpr) (RH)	KWK99139

Selector Shaft Seal/Man. Shaft

1989-1985	Aisin	
Seal	1015N
Kwik Slv (Opt Rpr)	KWK99082
1988-1985	Isuzu	
Seal	3667

A/C COMPRESSOR

1988-1985	Nippondenso	
Bearing	5000KFF

ALTERNATOR

1988-1985	Nippondenso 45 amp	
Bearing (drive end)	302CC
Bearing (rear end)	201CC
1988-1985	Nippondenso 50 amp	
Bearing (drive end)	302CC
Bearing (rear end)	201CC
1987-1985	Nippondenso 55 amp	
Bearing (drive end)	303CC
Bearing (rear end)	201CC

POWER STEERING

Pitman Shaft

1988-1985	Nova	
Seal	221510

Pump Shaft

1988-1985	Spectrum	
Bearing	203FF
1988-1985	Nova	
Seal	710156

CHEVROLET IMPORTS - see also GEO 1989 through 1997 - Metro, Nova, Prizm, Spectrum, Sprint (cont.)

POWER STEERING

Worm Shaft

1988-1985	Nova	
Seal (lower)	710154
Seal (upper)	710155

OIL PUMP

4 Cylinder

1988-1985	1588cc/1.6L	
Seal	223235
Kwik Slv (Opt Rpr)	KWK99128
1988-1985	1471cc/1.5L	
Seal	224020
Kwik Slv (Opt Rpr)	KWK99157

CAMSHAFT SEAL

3 Cylinder

1988-1985	993cc/1.0L	
Seal	710310
Kwik Slv (Opt Rpr)	KWK99128

4 Cylinder

1988	1588cc/1.6L DOHC	
Seal	1987S[2]
Kwik Slv (Opt Rpr)	KWK99139[2]
1988-1985	1471cc/1.5L	
Seal	710308
Kwik Slv (Opt Rpr)	KWK99157
1988-1985	1588cc/1.6L	
Seal	1987S
Kwik Slv (Opt Rpr)	KWK99139

CRANKSHAFT REAR SEAL

3 Cylinder

1988-1985	993cc/1.0L	
Seal	710334

4 Cylinder

1988-1985	1588cc/1.6L	
Seal	227045
Kwik Slv (Opt Rpr)	KWK99272
1988-1985	1471cc/1.5L	
Seal	228700

TIMING COVER

3 Cylinder

1988-1985	993cc/1.0L	
Seal	710310
Kwik Slv (Opt Rpr)	KWK99128

4 Cylinder

1988-1985	1471cc/1.5L	
Seal	223220
Kwik Slv (Opt Rpr)	KWK99128

CHEVROLET/GMC TRUCK - LIGHT SERIES - Astro / Safari

FRONT WHEEL

2WD

1989-1985		
Seal (inner)	8871[2]
Set (inner)	SET6
Set (outer)	SET3

REAR WHEEL

1989-1985		
Seal Viton	4795V[2]
Cyl. Bearing	513023[2]
Kit	TRP57509[2] ¹⁹

REAR AXLE

Differential Rebuild Kit

1989-1985	7.5", 7.625" ring gears	
Kit	DRK320

REAR AXLE

Differential

1989-1985	7.5", 7.625" ring gears	
Cone/Cup	LM501349-LM501314[2]

Pinion

1989-1985	7.5" ring gear	
Cone/Cup (inner)	HM89249-HM89210
Seal (outer)	8610
Cone/Cup (outer)	M86649-M86610

4-SPEED AUTOMATIC TRANSMISSION

Torque Converter

1989-1985		
Seal	3227
Kwik Slv (Opt Rpr)	KWK99174

[] Indicates Quantity Required; Set Components Listed Inside Rear Cover;
¹⁹ Opt. Axle Repair Bearing. Replaces O.E. bearing & seal.

Bearings and Seals

Mfg./Year Model & Location Part No Mfg./Year Model & Location Part No

CHEVROLET/GMC TRUCK - LIGHT SERIES - Astro / Safari (cont.)

4-SPEED AUTOMATIC TRANSMISSION

Rear Seal/Ext. Housing

1989-1985 booted
 Seal 9613S
 Seal Kit Opt. 5200⁶⁴

Selector Shaft Seal/Man. Shaft

1989-1985
 Seal 8792S
 Kwik Slv (Opt Rpr) KWK99050

4-SPEED MANUAL TRANSMISSION

Input Shaft

1987-1985
 Seal 7412S
 Set SET5
 Kwik Slv (Opt Rpr) KWK99125

Rear Output Shaft

1987-1985
 Seal 9613S
 Cone/Cup 25877-25821

Selector Shaft Seal/Man. Shaft

1987-1985
 Seal 240735

5-SPEED MANUAL TRANSMISSION

Transmission Rebuild Kit

1989-1985
 Kit TRK5

Front Input Shaft

1989-1985
 Seal 7412S
 Set SET5
 Kwik Slv (Opt Rpr) KWK99125

Rear Output Shaft

1989-1985
 Seal 9613S
 Cone/Cup 25877-25821
 Seal Kit Opt. 5200⁶⁴

A/C COMPRESSOR

1989-1985
 Bearing 907257
 1989-1985
 Bearing (Frt head) S128

POWER STEERING

Pitman Shaft

1989-1985
 Seal Kit PSK1²⁴

POWER STEERING

Pump Shaft

1989-1985 with integral reservoir
 Seal 221925
 Bearing 203FF
 1989-1985 with remote reservoir
 Seal 7013S

Worm Shaft

1989-1985
 Seal 222025

CRANKSHAFT REAR SEAL

4 Cylinder

1989-1985 151/2.5L
 Seal 3698
 Kwik Slv (Opt Rpr) KWK99300

6 Cylinder

1989-1986 262/4.3L
 Seal Viton 4359V
 Seal PTFE H/D Opt. 5274
 Kwik Slv (Opt Rpr) KWK99364
 1985 262/4.3L
 Seal 5092

TIMING COVER

4 Cylinder

1989-1985 151/2.5L
 Seal 9845
 Kwik Slv (Opt Rpr) KWK99176
 Harmonic Balancer
 Sleeves Opt. 88176

6 Cylinder

1989-1985 262/4.3L
 Seal 9845
 Kwik Slv (Opt Rpr) KWK99176
 Harmonic Balancer
 Sleeves Opt. 88176

94 [] Indicates Quantity Required; Set Components Listed Inside Rear Cover;

²⁴ Opt. Kit incl. seals 5683 & 5684. Not sold separately ⁶⁴ Opt. Seal and Bushing Kit

CHEVROLET/GMC TRUCK - LIGHT SERIES - El Camino, Caballero, Sprint

FRONT WHEEL

1987-1983	
Seal (inner)	8871[2]
Set (inner)	SET6
Set (outer)	SET34
1982-1979	
Seal (inner)	8871[2]
Set (inner)	SET6
Set (outer)	SET3
1978-1973	
Seal (inner)	8871[2]
Set (inner)	SET6
Set (outer)	SET2
1972-1964	
Seal (inner)	8705S[2]
Set (inner)	SET6
Set (outer)	SET2

REAR WHEEL

1987-1985	
Seal	8660S[2]
Cyl. Bearing	5707[2]
Kit	TRP1563TAV[2] ¹⁹
1984-1967 Pontiac axle	
Seal	8835S[2]
Cyl. Bearing	6408[2]
Kit	TRP1559TV[2] ¹⁹
1984-1965 Chevy axle	
Seal	8660S[2]
Cyl. Bearing	5707[2]
Kit	TRP1563TAV[2] ¹⁹
1976-1971 8.5" ring gear: B, O axles	
Seal	2689S[2]
Set	SET10
1964	
Seal	8293S[2]
Bearing	RW607NR[2]

REAR AXLE

Differential Rebuild Kit

1985-1971 8.5" ring gear	
Kit	DRK321R
1977-1971 8.75" ring gear	
Kit	DRK322
1972-1965 8.875" ring gear	
Kit	DRK323A
1971-1964 8.25" ring gear	
Kit	DRK321B

Differential

1987-1973 7.5", 7.625", 8.5" ring gears	
Cone/Cup	LM501349-LM501314[2]
1983-1973 8.875" ring gear	
Set	SET36
1972-1965 10-bolt housing cover	
Cone/Cup	LM501349-LM501314[2]
1964	
Cone/Cup	LM603049-LM603014[2]

REAR AXLE

Pinion

1987-1980 7.5" ring gear	
Cone/Cup (inner)	HM89249-HM89210
Seal (outer)	8610
Cone/Cup (outer)	M86649-M86610
Kwik Slv (Opt Rpr)	KWK99152
1987-1973 8.5" ring gear	
Cone/Cup (inner)	M802048-M802011
Seal (outer)	2043
Cone/Cup (outer)	M88048-M88010
Kwik Slv (Opt Rpr)	KWK99193
1980-1978 7.5" ring gear	
Cone/Cup (inner)	HM89449-HM89410
Seal (outer)	8610
Cone/Cup (outer)	M86649-M86610
Kwik Slv (Opt Rpr)	KWK99152
1979-1973 8.875" ring gear	
Cone/Cup (inner)	HM89449-HM89410
Seal (outer)	8611N
Cone/Cup (outer)	M86649-M86610
Kwik Slv (Opt Rpr)	KWK99170
1972-1964 8.125" ring gear	
Cone/Cup (inner)	HM89449-HM89410
Seal (outer)	8611N
Cone/Cup (outer)	M86649-M86610
Kwik Slv (Opt Rpr)	KWK99152
1966-1964 8.25" ring gear	
Cone/Cup (inner)	HM89449-HM89410
Seal (outer)	6818
Cone/Cup (outer)	HM88547-HM88510
Kwik Slv (Opt Rpr)	KWK99170

AUTOMATIC TRANSMISSION

Torque Converter

1973-1964 Powerglide	
Seal	6712NA
Kwik Slv (Opt Rpr)	KWK99187

Rear Seal/Ext. Housing

1973-1964 Powerglide	
Seal	9613S
Cone	43206
Seal Kit Opt.	5200 ⁶⁴

3-SPEED AUTOMATIC TRANSMISSION

Torque Converter

1987-1976 THM200	
Seal	3227
Kwik Slv (Opt Rpr)	KWK99174
1987-1964 THM350, 375	
Seal	6712NA
Kwik Slv (Opt Rpr)	KWK99187
1987-1964 THM400	
Seal	6712NA
Kwik Slv (Opt Rpr)	KWK99187

[] Indicates Quantity Required; Set Components Listed Inside Rear Cover;

¹⁹ Opt. Axle Repair Bearing. Replaces O.E. bearing & seal.

⁶⁴ Opt. Seal and Bushing Kit

Bearings and Seals

Mfg./Year Model & Location Part No Mfg./Year Model & Location Part No

CHEVROLET/GMC TRUCK - LIGHT SERIES - El Camino, Caballero, Sprint (cont.)

3-SPEED AUTOMATIC TRANSMISSION

Rear Seal/Ext. Housing

1987-1964	THM200, THM350, 375	
Seal	9613S
Seal Kit Opt.	5200 ⁶⁴
1975-1964	THM400: 1.890" shaft	
Seal	9449
Seal Kit Opt.	5208 ⁶⁴
1975-1964	THM400: 1.687" shaft	
Seal	7038SA
Seal Kit Opt.	5205 ⁶⁴

Selector Shaft Seal/Man. Shaft

1987-1964		
Seal	8792S

4-SPEED AUTOMATIC TRANSMISSION

Torque Converter

1987-1982		
Seal	3227
Kwik Slv (Opt Rpr)	KWK99174

Rear Seal/Ext. Housing

1987-1982		
Seal	9613S
Seal Kit Opt.	5200 ⁶⁴

Selector Shaft Seal/Man. Shaft

1987-1982		
Seal	8792S

CLUTCH

Pilot Bearing

1981-1964		
Bushing H/D	PB656HD

CLUTCH - 6 CYLINDER

Release Bearing

1981-1980	229/3.8L	
Bearing Assy	614018 ⁴²
1980-1978	231/3.8L	
Bearing Assy	614037 ⁴²
1977-1964	250/4.1L	
Bearing Assy	614037 ⁴²
1969-1964	230/3.8L	
Bearing Assy	614037 ⁴²

CLUTCH - 8 CYLINDER

Release Bearing

1981-1979	267/4.4L, 305/5.0L	
Bearing Assy	614018 ⁴²
1978-1976	305/5.0L cone diaph	
Bearing Assy	614018 ⁴²
1978-1976	305/5.0L flat diaphragm	
Bearing Assy	614037 ⁴²

CLUTCH - 8 CYLINDER (cont.)

Release Bearing (cont.)

1975-1964		
Bearing Assy	614018 ⁴²

3-SPEED MANUAL TRANSMISSION

Transmission Rebuild Kit

1981-1966	Saginaw	
Kit	TRK301

Front Input Shaft

1981-1966	Saginaw	
Seal	7412S
Bearing	207SLB
Kwik Slv (Opt Rpr)	KWK99125

Rear Output Shaft

1981-1966	Saginaw	
Seal	9613S
Bearing	306SLVB
Seal Kit Opt.	5200 ⁶⁴

Selector Shaft Seal/Man. Shaft

1981-1966	Saginaw	
Seal	240735
Kwik Slv (Opt Rpr)	KWK99076

4-SPEED MANUAL TRANSMISSION

Transmission Rebuild Kit

1981-1966	Saginaw	
Kit	TRK301

Input Shaft

1981-1966	Saginaw	
Seal	7412S
Bearing	207SLB
Kwik Slv (Opt Rpr)	KWK99125
1975-1966	Muncie	
Seal	7412S
Bearing	N1307L

Rear Output Shaft

1981-1966	Saginaw	
Seal	9613S
Bearing	306SLVB
Seal Kit Opt.	5200 ⁶⁴
1975-1966	Muncie 27-spline	
Seal	9613S
Bearing	308L
Seal Kit Opt.	5200 ⁶⁴
1975-1966	Muncie 32-spline	
Seal	9449
Bearing	308L
Seal Kit Opt.	5208 ⁶⁴

CHEVROLET/GMC TRUCK - LIGHT SERIES - El Camino, Caballero, Sprint
(cont.)

4-SPEED MANUAL TRANSMISSION

Selector Shaft Seal/Man. Shaft

1981-1968	Saginaw	
Seal	240735
Kwik Slv (Opt Rpr)	KWK99076

POWER STEERING

Pitman Shaft

1987-1978	605 Gear with round side cover	
Seal	710285
1978-1964	800 Gear with 4 bolt side cover	
Seal Kit	PSK1 ²⁴

Pump Shaft

1987-1980		
Seal	7013S
1979-1967	Saginaw pump	
Seal	7013S
1966-1964	Federal pump	
Seal	8773S

MANUAL STEERING

Pitman Shaft

1975-1965		
Seal	313842

Worm Shaft

1975-1964		
Seal	474131
Bearing	8537

CRANKSHAFT REAR SEAL

6 Cylinder

1987-1985	262/4.3L	
Seal	5092
1984-1978	231/3.8L	
Seal	5591
1983-1980	229/3.8L	
Seal	5092
1979-1978	200/3.3L	
Seal	5092
1977-1968	250/4.1L	
Seal	5092
1969-1964	230/3.8L	
Seal	5092

8 Cylinder

1987-1976	305/5.0L	
Seal	5092
1984-1983	350/5.7L Diesel	
Seal	5591
1982-1979	267/4.4L	
Seal	5092
1979-1969	350/5.7L	
Seal	5092
1976-1974	400/6.6L Small Block	
Seal	5092

CRANKSHAFT REAR SEAL (cont.)

8 Cylinder (cont.)

1975-1970	454/7.4L	
Seal	5072
1973-1968	307/5.0L	
Seal	5092
1972-1968	396,400 Big Block	
Seal	5072
1968	327/5.4L	
Seal	5092

TIMING COVER

6 Cylinder

1987-1985	262/4.3L	
Seal	9845
Kwik Slv (Opt Rpr)	KWK99176
Harmonic Balancer		
Sleeves Opt.	88176
1984-1980	229/3.8L	
Seal	9845
Kwik Slv (Opt Rpr)	KWK99176
Harmonic Balancer		
Sleeves Opt.	88176
1984-1978	231/3.8L	
Seal	710163
1979-1978	200/3.3L	
Seal	9845
Kwik Slv (Opt Rpr)	KWK99176
Harmonic Balancer		
Sleeves Opt.	88176
1977-1968	250/4.1L	
Seal	9845
Kwik Slv (Opt Rpr)	KWK99176
Harmonic Balancer		
Sleeves Opt.	88176
1969-1964	230/3.8L	
Seal	9845
Kwik Slv (Opt Rpr)	KWK99176
Harmonic Balancer		
Sleeves Opt.	88176

8 Cylinder

1987-1976	305/5.0L	
Seal	9845
Kwik Slv (Opt Rpr)	KWK99176
Harmonic Balancer		
Sleeves Opt.	88176
1984-1983	350/5.7L Diesel	
Seal Viton	320259
Kwik Slv (Opt Rpr)	KWK99199
Harmonic Balancer		
Sleeves Opt.	88199
1982-1979	267/4.4L	
Seal	9845
Kwik Slv (Opt Rpr)	KWK99176
Harmonic Balancer		
Sleeves Opt.	88176

[] Indicates Quantity Required; Set Components Listed Inside Rear Cover;

²⁴ Opt. Kit incl. seals 5683 & 5684. Not sold separately

Bearings and Seals

Mfg./Year Model & Location Part No Mfg./Year Model & Location Part No

CHEVROLET/GMC TRUCK - LIGHT SERIES - El Camino, Caballero, Sprint (cont.)

TIMING COVER (cont.)

8 Cylinder (cont.)

1979-1969	350/5.7L	
Seal		9845
Kwik Slv (Opt Rpr)	KWK99176	
Harmonic Balancer		
Sleeves Opt.		88176
1976-1974	400/6.6L Small Block	
Seal		3945
Kwik Slv (Opt Rpr)	KWK99233	
Harmonic Balancer		
Sleeves Opt.		88233
1975-1970	454/7.4L	
Seal		3945
Kwik Slv (Opt Rpr)	KWK99233	
Harmonic Balancer		
Sleeves Opt.		88233
1973-1968	307/5.0L	
Seal		9845
Kwik Slv (Opt Rpr)	KWK99176	

TIMING COVER (cont.)

8 Cylinder (cont.)

1972-1968	396,400 Big Block	
Seal		3945
Kwik Slv (Opt Rpr)	KWK99233	
Harmonic Balancer		
Sleeves Opt.		88233
1968	327/5.4L	
Seal		9845
Kwik Slv (Opt Rpr)	KWK99176	

CHEVROLET/GMC TRUCK - LIGHT SERIES - S10/S15 P/U, Sonoma, Blazer/Jimmy, Syclone/Typhoon

FRONT WHEEL

2WD

1989-1982	
Seal (inner)	8871[2]
Set (inner)	SET6
Set (outer)	SET34

4WD

1989-1983	
Hub Assy	513013[2]

REAR WHEEL

1989-1982	
Seal	8660S[2]
Cyl. Bearing	5707[2]
Kit	TRP1563TAV[2] ¹⁹

4WD FRONT AXLE

Differential Rebuild Kit

1989-1983	7.25" ring gear	
Kit		DRK320A

Differential

1989-1983	7.25" ring gear	
Set		SET11[2]

4WD FRONT AXLE

Pinion

1989-1983	7.25" ring gear	
Cone/Cup (inner)		M88048S-M88010
Cone/Cup (inner) Opt:		
substitute for M88048S		M88047-M88010
Seal (outer)		8611N
Cone/Cup (outer)		M86649-M86610

REAR AXLE

Differential Rebuild Kit

1989-1982	7.5", 7.625" ring gears	
Kit		DRK320

Differential

1989-1982		
Cone/Cup		LM501349-LM501314[2]

Pinion

1989-1982	7.5", 7.625" ring gears	
Cone/Cup (inner)		HM89249-HM89210
Seal (outer)		8610
Cone/Cup (outer)		M86649-M86610
Kwik Slv (Opt Rpr)		KWK99152
1989-1982	8.5" ring gear 1st design	
Cone/Cup (inner)		M802048-M802011
Seal (outer)		2043
Cone/Cup (outer)		M88048-M88010
Kwik Slv (Opt Rpr)		KWK99193

98 [] Indicates Quantity Required; Set Components Listed Inside Rear Cover;

¹⁹ Opt. Axle Repair Bearing. Replaces O.E. bearing & seal.

CHEVROLET/GMC TRUCK - LIGHT SERIES - S10/S15 P/U, Sonoma, Blazer/Jimmy, Syclone/Typhoon (cont.)

TRANSFER CASE REBUILD KIT

1989-1988	New Process 231C; (floor shift)
Kit	TCRK231A ⁵⁰
1988-1983	New Process 207
Kit	TCRK207

TRANSFER CASE

Input Shaft

1989-1988	New Process 231C; (floor shift)
Seal	3173[2]
Bearing	N5210KLB[2]
Seal Dual Lip	710298
Kwik Slv (Opt Rpr)	KWK99193
Needle Bearing (pilot)	SCH1810
1988-1983	New Process 207
Seal	3173[2]
Needle Bearing	B3210[2]
Seal Dual Lip	710928
Kwik Slv (Opt Rpr)	KWK99193
Needle Bearing (pilot)	SCH1810
Needle Bearing Thrust	NTA3244

Front Output Shaft

1989-1988	New Process 231, 233
Seal Viton	4813V
Bearing	206WB
Kwik Slv (Opt Rpr)	KWK99155
Needle Bearing (pilot)	J2416
1989-1988	New Process 231, 233
Seal	710046
Bearing	206WB
Kwik Slv (Opt Rpr)	KWK99155
Needle Bearing (pilot)	J2416
1988-1983	New Process 207
Seal	710046
Bearing	206WB
Kwik Slv (Opt Rpr)	KWK99155
Needle Bearing (pilot)	B228

Rear Output Shaft

1989-1988	New Process 231; (std cab)
Seal	9613S
Bearing	206WB
Seal Kit Opt.	5200 ⁶⁴
Needle Bearing (pilot)	B5020[2]
1988-1983	New Process 207
Seal	9613S
Bearing	206WB
Seal Kit Opt.	5200 ⁶⁴
Needle Bearing (pilot)	F4020[2]

3-SPEED AUTOMATIC TRANSMISSION

Torque Converter

1985-1982	
Seal	3227
Kwik Slv (Opt Rpr)	KWK99174

3-SPEED AUTOMATIC TRANSMISSION

Rear Seal/Ext. Housing

1985-1982	
Seal	9613S
Seal Kit Opt.	5200 ⁶⁴

Selector Shaft Seal/Man. Shaft

1985-1982	
Seal	8792S

4-SPEED AUTOMATIC TRANSMISSION

Torque Converter

1989-1983	
Seal	3227
Kwik Slv (Opt Rpr)	KWK99174

Rear Seal/Ext. Housing

1989-1983	
Seal	9613S
Kwik Slv (Opt Rpr)	KWK99149
Seal Kit Opt.	5200 ⁶⁴

Selector Shaft Seal/Man. Shaft

1989-1982	
Seal	8792S
Kwik Slv (Opt Rpr)	KWK99050

CLUTCH

Pilot Bearing

1989-1985	151/2.5L	
Bushing H/D		PB656HD
1989-1982	173/2.8L	
Bushing H/D		PB652HD
1989-1988	262/4.3L	
Bushing H/D		PB656HD
1985-1984	133/2.2L diesel	
Bearing		202FF
1985-1982	119/1.9L	
Bearing		202FF
1984-1983	121/2.0/L	
Bushing H/D		PB652HD

CLUTCH - 4 CYLINDER

Release Bearing

1989-1985	151/2.5L	
Bearing Assy		614083
1985	133/2.2L diesel	
Bearing Assy		614083
1985	119/1.9L	
Bearing Assy		614083
1984	133/2.2L diesel	
Bearing Assy		614018 ⁴²
1984-1983	121/2.0/L	
Bearing Assy		614018 ⁴²
1984-1982	119/1.9L	
Bearing Assy		614018 ⁴²

[] Indicates Quantity Required; Set Components Listed Inside Rear Cover;

⁴² Sealed Self-Aligning Bearing

⁵⁰ 6010-N I/S brg.

⁶⁴ Opt. Seal and Bushing Kit

Bearings and Seals

Mfg./Year Model & Location Part No Mfg./Year Model & Location Part No

CHEVROLET/GMC TRUCK - LIGHT SERIES - S10/S15 P/U, Sonoma, Blazer/Jimmy, Syclone/Typhoon (cont.)

CLUTCH - 6 CYLINDER

Release Bearing

1989-1988	262/4.3L	
Bearing Assy		614083
1989-1985	173/2.8L	
Bearing Assy		614083
1984-1982	173/2.8L	
Bearing Assy		614018 ⁴²

4-SPEED MANUAL TRANSMISSION

Transmission Rebuild Kit

1986-1985	Saginaw	
Kit		TRK301

Input Shaft

1987-1985		
Seal		7412S
Set		SET5
1984	2nd Design	
Seal		7412S
Set		SET5
1984	1st Design	
Seal		7412S
Bearing		208L
Kwik Slv (Opt Rpr)		KWK99125
1983-1982		
Seal		7412S
Bearing		208L
Kwik Slv (Opt Rpr)		KWK99125

Mainshaft Pilot

1986-1985	Saginaw	
Needle Bearing		QA19792[14]

Rear Output Shaft

1987-1985		
Seal		9613S
Cone/Cup		25877-25821
Seal Kit Opt.		5200 ⁶⁴
1984-1982		
Seal		9613S
Bearing		1207L
Kwik Slv (Opt Rpr)		KWK99149
Seal Kit Opt.		5200 ⁶⁴

5-SPEED MANUAL TRANSMISSION

Transmission Rebuild Kit

1989-1988	Warner T5 World Class	
Kit		TRK5W
1987-1983	Warner T5	
Kit		TRK5

5-SPEED MANUAL TRANSMISSION

Front Input Shaft

1989-1982	Warner	
Seal		7412S
Set		SET5
Kwik Slv (Opt Rpr)		KWK99125

Rear Output Shaft

1989-1982	Warner	
Seal		9613S
Kwik Slv (Opt Rpr)		KWK99149
Seal Kit Opt.		5200 ⁶⁴

A/C COMPRESSOR

1989-1982		
Bearing		907257
Bearing (Frt head)		S128

DRIVESHAFT SUPPORT

1989-1982		
Bearing		88107
Hanger Bearing Assy		HB88107A
Hanger Bearing Assy (assembly with slingers)		HB88107E

POWER STEERING

Pitman Shaft

1989-1982		
Seal Kit		PSK1 ²⁴

Pump Shaft

1989-1982	remote reservoir	
Seal		70135
1989-1982	integral reservoir	
Bearing		203FF

Worm Shaft

1989-1982		
Seal		222025

MANUAL STEERING

Pitman Shaft

1989-1985		
Seal		251511
1984-1982		
Seal		313842

Worm Shaft

1989-1982		
Seal		480821
Bearing		8537[2]

100 [] Indicates Quantity Required; Set Components Listed Inside Rear Cover;

²⁴ Opt. Kit incl. seals 5683 & 5684. Not sold separately

⁴² Sealed Self-Aligning Bearing

⁶⁴ Opt. Seal

and Bushing Kit

CHEVROLET/GMC TRUCK - LIGHT SERIES - S10/S15 P/U, Sonoma, Blazer/Jimmy, Syclone/Typhoon (cont.)

CAMSHAFT SEAL

4 Cylinder

1985-1984	2238cc/2.2L diesel	
Seal	224205
Kwik Slv (Opt Rpr)	KWK99166

CRANKSHAFT REAR SEAL

4 Cylinder

1989-1985	151/2.5L	
Seal	3698
1985-1984	133/2.2L diesel	
Seal	228480
Kwik Slv (Opt Rpr)	KWK99328
1985-1982	119/1.9L	
Seal	228480
Kwik Slv (Opt Rpr)	KWK99328
1984	121/2.0/L 2nd design 11mm thick	
Seal	4307V
Seal PTFE H/D Opt.	5273
Kwik Slv (Opt Rpr)	KWK99128
1984-1983	121/2.0/L 1st design 5.5mm thick	
Seal	5210

6 Cylinder

1989-1988	262/4.3L	
Seal Viton	4359V
Seal PTFE H/D Opt.	5274
Kwik Slv (Opt Rpr)	KWK99364
1989-1982	173/2.8L	
Seal	4307V
Seal PTFE H/D Opt.	5273
Kwik Slv (Opt Rpr)	KWK99298

TIMING COVER

4 Cylinder

1989-1985	151/2.5L	
Seal	9845
Kwik Slv (Opt Rpr)	KWK99176
Harmonic Balancer		
Sleeves Opt.	88176
1985-1984	133/2.2L diesel	
Seal	712005
Kwik Slv (Opt Rpr)	KWK99254
1985-1982	119/1.9L	
Seal Viton	225020
Kwik Slv (Opt Rpr)	KWK99196
1984-1983	121/2.0/L	
Seal	9845
Kwik Slv (Opt Rpr)	KWK99176
Harmonic Balancer		
Sleeves Opt.	88176

6 Cylinder

1989-1988	262/4.3L	
Seal	9845
Kwik Slv (Opt Rpr)	KWK99176
Harmonic Balancer		
Sleeves Opt.	88176
1989-1982	173/2.8L	
Seal	9845
Kwik Slv (Opt Rpr)	KWK99176

CHEVROLET/GMC TRUCK - LIGHT SERIES - LUV

FRONT WHEEL

2WD

1982-1972	
Seal (inner) 1949[2]
Bearing Assy (inner) 32206M[2]
Bearing Assy (outer) 32304M[2]

4WD

1982	
Seal (inner) 471950[2]
Bearing Assy (inner) 32008XM[2]
Bearing Assy (outer) 32007XM[2]
1981-1979	
Seal (inner) 1960[2]
Bearing Assy (inner) 32008XM[2]
Bearing Assy (outer) 32007XM[2]

REAR WHEEL

1982-1972	
Seal (inner) 473812[2]
Seal (outer) 473179[2]
Bearing Assy (outer) 30208M[2]

4WD FRONT AXLE

Differential

1982-1979	
Set SET5

Pinion

1982-1980	
Cone/Cup (inner) 02475-02420
Seal (outer) 710057
Bearing Assy (outer) 30305M
Kwik Slv (Opt Rpr) KWK99149

Bearings and Seals

Mfg./Year Model & Location Part No Mfg./Year Model & Location Part No

CHEVROLET/GMC TRUCK - LIGHT SERIES - LUV (cont.)

4WD FRONT AXLE

Spindle

1982-1980
Seal 710167[2]
Needle Bearing HK2816[2]

REAR AXLE

Differential

1982-1972
Set SET45

Pinion

1982-1972
Bearing Assy (inner) 32307
Seal (outer) 474133
Bearing Assy (outer) 30306M
Kwik Slv (Opt Rpr) KWK99157

TRANSFER CASE

Input Shaft

1982-1979 Input Shaft
Seal 1990
Kwik Slv (Opt Rpr) KWK99106

Front Output Shaft

1982-1979 Front output shaft
Seal (front) 224045
Bearing (front) 206L
Kwik Slv (Opt Rpr) KWK99157
Bearing (rear) 305L

Rear Output Shaft

1982-1979 Rear output shaft
Bearing 307L

3-SPEED AUTOMATIC TRANSMISSION

Torque Converter

1982-1976
Seal 3227
Kwik Slv (Opt Rpr) KWK99174
1975-1972
Seal 6712NA
Kwik Slv (Opt Rpr) KWK99187

Rear Seal/Ext. Housing

1982-1972
Seal 9613S
Seal Kit Opt. 5200⁶⁴

Selector Shaft Seal/Man. Shaft

1982-1972
Seal 8792S

CLUTCH

Pilot Bearing

1982-1973
Bearing 203FF
1972
Bearing 203S

Release Bearing

1982-1972
Bearing Only 01496

4-SPEED MANUAL TRANSMISSION

Transmission Rebuild Kit

1982-1981 4x4
Kit TRK180
1982-1976 4x2
Kit TRK1140
1980-1976 4x4
Kit TRK1150
1975-1972 4x2
Kit TRK1230

Input Shaft

1982-1972
Seal 1990
Bearing 208LO
Kwik Slv (Opt Rpr) KWK99106

Rear Output Shaft

1982-1972
Seal 1987S
Bearing 307L

5-SPEED MANUAL TRANSMISSION

Front Input Shaft

1982-1977
Seal 1990
Bearing 208LO
Kwik Slv (Opt Rpr) KWK99106

Rear Output Shaft

1982-1977
Seal 1987S
Bearing 307L
Kwik Slv (Opt Rpr) KWK99139

ALTERNATOR

1982-1981 diesel; A/C
Bearing (drive end) 303CC
1982-1981 gas engine
Bearing (drive end) 203FF
1982-1972 gas engine
Bearing (rear end) 201CC
1980-1975 A/C
Bearing (drive end) 303CC
1980-1972 exc. A/C
Bearing (drive end) 202FF

CHEVROLET/GMC TRUCK - LIGHT SERIES - LUV (cont.)

DRIVESHAFT SUPPORT

1982-1980 4x4	
Hanger Bearing Assy	HB21
1982-1972 4x2	
Hanger Bearing Assy	HB20

MANUAL STEERING

Pitman Shaft

1976-1972	
Seal	223010

Worm Shaft

1982-1977	
Seal	221720

CAMSHAFT SEAL

4 Cylinder

1982-1981 133/2.2L diesel	
Seal	224205
Kwik Slv (Opt Rpr)	KWK99166

CRANKSHAFT REAR SEAL

4 Cylinder

1982-1981 133/2.2L diesel	
Seal	228480
Kwik Slv (Opt Rpr)	KWK99328
1982-1972 1800/1.8L	
Seal	228480
Kwik Slv (Opt Rpr)	KWK99328

TIMING COVER

4 Cylinder

1982-1981 133/2.2L diesel	
Seal	712005
Kwik Slv (Opt Rpr)	KWK99254
1982-1972 1800/1.8L	
Seal Viton	225020
Kwik Slv (Opt Rpr)	KWK99196

CHEVROLET/GMC TRUCK - 1/2 TON - C-10/15, K-10/15, R-10/15, V-10/15, Blazer/Jimmy, Suburban

FRONT WHEEL

2WD

1989-1988 C1500 (H/D)	
Seal (inner)	4739[2]
Set (inner)	SET5
Set (outer)	SET3
1989-1988 C1500 Pickup (L/D)	
Seal (inner)	4739[2]
Set (inner)	SET6
Set (outer)	SET3
1987 R series	
Seal (inner)	4739[2]
Set (inner)	SET6
Set (outer)	SET3
1986-1981 C series exc. ext. cab & F44 H.D. option	
Seal (inner)	8871[2]
Set (inner)	SET6
Set (outer)	SET3
1986-1981 C series ext. cab & F44 H.D. option	
Seal (inner)	4739[2]
Set (inner)	SET5
Set (outer)	SET3
1980-1971	
Seal (inner)	9015S[2]
Set (inner)	SET5
Set (outer)	SET3
1970-1967 H.D. brakes	
Seal (inner)	8974S[2]
Cone/Cup (inner)	2777-2720[2]
Set (outer)	SET3

FRONT WHEEL (cont.)

2WD (cont.)

1970-1962 std brakes	
Seal (inner)	9015S[2]
Set (inner)	SET5
Set (outer)	SET2
1961-1960	
Seal (inner)	205044[2]
Bearing (inner)	B66[2]
Bearing (outer)	B67
1959-1938	
Seal (inner)	6064[2]
Bearing (inner)	B52[2]
Bearing (outer)	B01

4WD

1989-1988 K1500 exc. extended cab or w/L.D. suspension	
Hub Assy	515002[2] ²⁹
1989-1988 K1500 extended cab or F44 H.D. suspension	
Hub Assy	515001[2] ²⁹
1987-1980	
Seal (inner)	471271[2]
Cone/Cup (inner)	LM104949-JLM104910[2]
Set (outer)	SET45
1979-1977 exc. Spicer 44-5F	
Seal (inner)	471271[2]
Cone/Cup (inner)	LM104949-JLM104910[2]
Set (outer)	SET45

[] Indicates Quantity Required; Set Components Listed Inside Rear Cover;

²⁹ Seal is not serviceable on this unit

Bearings and Seals

Mfg./Year Model & Location Part No Mfg./Year Model & Location Part No

CHEVROLET/GMC TRUCK - 1/2 TON - C-10/15, K-10/15, R-10/15, V-10/15, Blazer/Jimmy, Suburban (cont.)

FRONT WHEEL (cont.)

4WD (cont.)

1977	Spicer 44-5F	
Seal (inner)	471271[2]
Set (inner)	SET37
Set (outer)	SET45
1976-1973		
Seal (inner)	471271[2]
Set (inner)	SET37
Set (outer)	SET45
1972-1957		
Seal (inner)	442380[2]
Set (inner)	SET37
Set (outer)	SET45

REAR WHEEL

1989-1988	8.5" ring gear C/K 1500 series	
Seal	4762N[2]
Cyl. Bearing	513067[2]
Kit	TRP59047[2] ¹⁹
1989-1988	9.5" ring gear C/K 1500 series	
Seal	710105[2]
Cyl. Bearing	R1561TV[2]
Kit	TGM1561R[2] ¹⁹
1989-1971	C/K R/V 10 series, V1500 series, Blazer	
Seal	8835S[2]
Cyl. Bearing	6408[2]
Kit	TRP1559TV[2] ¹⁹
1970-1969	Spicer 60-3 axle	
Seal	481837[2]
Set	SET7
1970-1967	C10, K10: GM axle	
Seal	8835S[2]
Cyl. Bearing	6408[2]
Kit	TRP1559TV[2] ¹⁹
1969-1964	Spicer 60-1 axle	
Seal (inner)	455860[2]
Cone/Cup (inner)	28678-28622[2]
Cone/Cup (outer)	18690-18620[2]
1966-1965	leaf springs	
Seal	450067[2]
Cyl. Bearing	6408[2]
Kit	TRP1559TV[2] ¹⁹
1966-1965	coil springs	
Seal	8835S[2]
Cyl. Bearing	6408[2]
Kit	TRP1559TV[2] ¹⁹
1964-1963	GM axles	
Seal	8477S[2]
Cyl. Bearing	6408[2]
Kit	TRP1559TV[2] ¹⁹
1962-1960	K10	
Seal	414045[2]
Cyl. Bearing	R1502EL[2]
1962-1946	3100, 3200 exc. Positrac	
Seal	414045[2]
Cyl. Bearing	R1502EL[2]
1959-1958	3100, 3200 with Positrac	
Seal	450067[2]
Bearing	514003P[2]

4WD FRONT AXLE

Axle Shaft

1989-1988	8.25" ring gear; 1st design	
Seal (inner)	710101[2]
Needle Bearing (inner)	B2012[2]
Needle Bearing (outer)	B2012[2]
1989-1977	8.5" ring gear	
Seal	5131[2]
1982-1968	Spicer 44 series	
Seal	5131[2]

Differential Rebuild Kit

1989-1988	8.25" ring gear	
Kit	DRK321A
1989-1977	8.5" ring gear	
Kit	DRK321
1989-1970	8.5" ring gear w/positrac	
Kit	DRK321D
1982-1969	Dana/Spicer 44-5F, 44-8F axles	
Kit	DRK339B

Differential

1989-1977	8.5", 8.25" ring gears	
Cone/Cup	LM501349-LM501314[2]
1982-1969	Dana/Spicer 44 series axles	
Cone/Cup	25590-25523[2]
1968-1960	Dana/Spicer 44-5F axle	
Cone/Cup	25577-25523[2]
1959-1958	FH030 axle	
Cone/Cup	LM603049-LM603014[2]

Pinion

1989-1988	8.25" ring gear	
Cone/Cup (inner)	M802048-M802011
Seal (outer)	710281
Cone/Cup (outer)	M88048-M88010
Cone/Cup (outer) Opt.	M88048A-M88010
Kwik Slv (Opt Rpr)	KWK99193
1989-1987	V Series	
Cone/Cup (inner)	M802048-M802011
Seal (outer)	8622
Cone/Cup (outer)	M88048-M88010
Cone/Cup (outer) Opt.	M88048A-M88010
Kwik Slv (Opt Rpr)	KWK99193
1980-1977	exc. Spicer axles	
Cone/Cup (inner)	M802048-M802011
Seal (outer)	8622
Cone/Cup (outer)	M88048-M88010
Cone/Cup (outer) Opt.	M88048A-M88010
Kwik Slv (Opt Rpr)	KWK99193
1980-1960	Spicer	
Cone/Cup (inner)	31594-31520
Seal (outer)	5778
Cone/Cup (outer)	02872-02820
Kwik Slv (Opt Rpr)	KWK99155

104 [] Indicates Quantity Required; Set Components Listed Inside Rear Cover;

¹⁹ Opt. Axle Repair Bearing. Replaces O.E. bearing & seal.

CHEVROLET/GMC TRUCK - 1/2 TON - C-10/15, K-10/15, R-10/15, V-10/15, Blazer/Jimmy, Suburban (cont.)

4WD FRONT AXLE (cont.)

Pinion (cont.)

1959-1958	FH030 axle	
	Cone/Cup (inner)	HM89449-HM89410
	Seal (outer)	6818
	Cone/Cup (outer)	HM88547-HM88510
	Kwik Slv (Opt Rpr)	KWK99170

Spindle Kit

1989-1973	Bearing & Seal Kit	SBK1 ³³
------------------	--------------------	--------------------

Spindle

1989-1973		
	Seal (inner)	722108[2]
	Needle Bearing (inner)	B2110[2]
	Seal (outer)	722109[2]
1972-1960	Dana/Spicer 44-5F axle	
	Seal	472394[2]
	Needle Bearing	B2110[2]

Steering Knuckle

1972-1960	Dana/Spicer 44-5F axle	
	Seal	204005S[4]
	Cone/Cup	11590-11520[2]
1959-1958	FH030 axle	
	Cone/Cup	21075-21212[2]

REAR AXLE

Differential Rebuild Kit

1989-1988	9.5" ring gear	
	Kit	DRK324
1989-1976	8.5" ring gear	
	Kit	DRK321
1981-1980	8.75" ring gear	
	Kit	DRK323
1981-1964	8.875" ring gear	
	Kit	DRK322
1972-1968	Dana/Spicer 60-1, 60-3, 60-35 axles	
	Kit	DRK331
1972-1965	Dana/Spicer 44-1 axle	
	Kit	DRK339B
1967	Dana/Spicer 60-35 axle	
	Kit	DRK331

Differential

1989-1988	14 Bolt Cover; 9.5" ring gear	
	Set	SET42[2]
1989-1973	8.125", 8.5", 8.625" ring gear	
	Cone/Cup	LM501349-LM501314[2]
1981-1964	8.875" ring gear	
	Set	SET36[2]
1972-1968	Dana/Spicer 60-1, 60-3, 60-35 axles	
	Cone/Cup	387A-382S[2]
1972-1965	Dana/Spicer 44-1 axle	
	Cone/Cup	25590-25523[2]

REAR AXLE (cont.)

Differential (cont.)

1967	Dana/Spicer 60-35 axle	
	Cone/Cup	387A-382S[2]
1964-1954	Dana/Spicer 44-1, 45 axles	
	Cone/Cup	25577-25523[2]
1963	H033, H035 axles: 1st design	
	Cone/Cup	LM603049-LM603014[2]
1963	H033, H035 axles: 2nd design	
	Set	SET36[2]
1962-1957	H033, H035 axles	
	Cone/Cup	LM603049-LM603014[2]
1956-1953	H033, H035 axles	
	Cone/Cup	17887-17831[2]
1951	H072 axle	
	Cone/Cup	388A-382[2]

Pinion

1989-1988	9.5" ring gear, 1st Design	
	Cone/Cup (inner)	HM804846-HM804810
	Seal (outer)	3896
	Cone/Cup (outer)	HM88649-HM88610
	Kwik Slv (Opt Rpr)	KWK99193
1989-1976	8.5" ring gear, 1st design	
	Cone/Cup (inner)	M802048-M802011
	Seal (outer)	2043
	Cone/Cup (outer)	M88048-M88010
	Seal (outer) Opt.	2043
	Cone/Cup (outer) Opt.	M88048A-M88010
1981-1977	8.875" ring gear: with Positraction	
	Cone/Cup (inner)	M804049-M804010
	Seal (outer)	8460N
	Cone/Cup (outer)	M88048-M88010
	Seal (outer) Opt.	8460N
	Cone/Cup (outer) Opt.	M88048A-M88010
1981-1964	8.875" ring gear	
	Cone/Cup (inner)	HM89449-HM89410
	Seal (outer)	8460N
	Cone/Cup (outer)	M88048-M88010
	Seal (outer) Opt.	8460N
	Cone/Cup (outer) Opt.	M88048A-M88010
1975-1973	8.125" ring gear	
	Cone/Cup (inner)	HM89449-HM89410
	Seal (outer)	8611N
	Cone/Cup (outer)	M86649-M86610
1972-1968	Dana/Spicer 60-1, 60-3 axles	
	Cone/Cup (inner)	HM803146-HM803110
	Seal (outer)	9316
	Cone/Cup (outer)	HM88542-HM88510
1972-1967	Dana/Spicer 60-35 coil spring axle	
	Cone/Cup (inner)	HM803146-HM803110
	Seal (outer)	9316
	Cone/Cup (outer)	HM88542-HM88510
1972-1967	Dana/Spicer 60-35 leaf spring axle	
	Cone/Cup (inner)	HM803146-HM803110
	Seal (outer)	6808N
	Cone/Cup (outer)	HM88542-HM88510

[] Indicates Quantity Required; Set Components Listed Inside Rear Cover;
³³ Opt. Kit incl: Bearing B2110; Seals 722108 & 722109

Bearings and Seals

Mfg./Year Model & Location Part No Mfg./Year Model & Location Part No

CHEVROLET/GMC TRUCK - 1/2 TON - C-10/15, K-10/15, R-10/15, V-10/15, Blazer/Jimmy, Suburban (cont.)

REAR AXLE (cont.)

Pinion (cont.)

1972-1960	Dana/Spicer 44-1 axle	
	Cone/Cup (inner)	31594-31520
	Seal (outer)	5778
	Cone/Cup (outer)	02872-02820
1963	H033, H035 axles: 1st design	
	Cone/Cup (inner)	HM89449-HM89410
	Seal (outer)	6818
	Cone/Cup (outer)	HM88547-HM88510
1963	H033, H035 axles: 2nd design	
	Cone/Cup (inner)	HM89449-HM89410
	Seal (outer)	8460N
	Cone/Cup (outer)	M88048-M88010
1962-1953	H033, H035 axles	
	Cone/Cup (inner)	HM89449-HM89410
	Seal (outer)	6818
	Cone/Cup (outer)	HM88547-HM88510
1959-1954	Dana/Spicer 45 axle	
	Cone/Cup (inner)	3877-3820
	Seal (outer)	5778
	Cone/Cup (outer)	02872-02820
1951	H072 axle	
	Seal (outer)	411330N
	Bearing Assy (outer)	55197-90030

TRANSFER CASE REBUILD KIT

1989-1988	New Process 241C	
	Kit	TCRK241
1988-1981	New Process 208	
	Kit	TCRK208SPK ⁴⁷
1980	New Process 205 with Turbo 400 trans	
	Kit	TCRK205GDMD
1980	New Process 205 exc. Turbo 400 trans	
	Kit	TCRK205G
1979-1973	New Process 203	
	Kit	TCRK203G
1979-1971	New Process 205	
	Kit	TCRK205G
1972-1969	Dana/Spicer 18	
	Kit	TCRK18

TRANSFER CASE

Input Shaft

1989-1988	New Process 241	
	Seal	3173[2]
	Seal Dual Lip	710928
	Kwik Slv (Opt Rpr)	KWK99193
1988-1981	New Process 208	
	Seal	3173[2]
	Needle Bearing	B5020[2]
	Seal Dual Lip	710928[2]
	Kwik Slv (Opt Rpr)	KWK99193[2]
	Needle Bearing (pilot)	B2012

TRANSFER CASE (cont.)

Input Shaft (cont.)

1980	New Process 205 with Turbo 400 trans	
	Seal	471869[2]
	Bearing	1307L[2]
	Kwik Slv (Opt Rpr)	KWK99193[2]
1980-1971	New Process 205 exc. Turbo 400 trans	
	Seal	471869[2]
	Bearing	1307L[2]
	Kwik Slv (Opt Rpr)	KWK99193[2]
1979-1973	New Process 203	
	Seal	3173
	Kwik Slv (Opt Rpr)	KWK99193
1972-1960	Rockwell	
	Seal (front)	472164
	Bearing (front)	207S
	Kwik Slv (Opt Rpr)	KWK99174

Front Output Shaft

1989-1981		
	Seal	3946
	Kwik Slv (Opt Rpr)	KWK99187
1980-1971		
	Seal	710005
	Bearing	307L[2]
	Kwik Slv (Opt Rpr)	KWK99174
1975-1973	New Process 203	
	Seal	450087
	Bearing	307L[2]
	Kwik Slv (Opt Rpr)	KWK99174
1972-1969	Spicer	
	Seal	472635
	Bearing	206WB
	Kwik Slv (Opt Rpr)	KWK99155
1972-1960	Rockwell	
	Seal (front)	472164
	Bearing (front)	207L
	Kwik Slv (Opt Rpr)	KWK99174
	Bearing (rear)	209L

Rear Output Shaft

1989-1988	New Process 241	
	Seal	9449
	Bearing	1207L
	Seal Kit Opt.	5208 ⁶⁴
	Needle Bearing (pilot)	B5020[2]
1988-1981	New Process 208	
	Seal	9449
	Bearing	1207L
	Seal Kit Opt.	5208 ⁶⁴
1980	New Process 205 (162T)	
	Seal	473214
	Bearing	307L
	Kwik Slv (Opt Rpr)	KWK99138
	Needle Bearing (pilot)	B3216
1980	New Process 205 (THM350)	
	Seal	471424
	Bearing	307L
	Kwik Slv (Opt Rpr)	KWK99199

106 [] Indicates Quantity Required; Set Components Listed Inside Rear Cover;

⁴⁷ Includes Small Parts Kit ⁶⁴ Opt. Seal and Bushing Kit

CHEVROLET/GMC TRUCK - 1/2 TON - C-10/15, K-10/15, R-10/15, V-10/15, Blazer/Jimmy, Suburban (cont.)

TRANSFER CASE (cont.)

Rear Output Shaft (cont.)

1980	New Process 205 (CH465)	
Seal	473214
Bearing	307L
Kwik Slv (Opt Rpr)	KWK99138
1979-1973	New Process 203	
Seal	473204
Bearing	307L
Kwik Slv (Opt Rpr)	KWK99212
1979-1971	New Process 205	
Seal	473468
Bearing	307L
Kwik Slv (Opt Rpr)	KWK99212
Needle Bearing (pilot)	B3216
1972-1969	Spicer	
Seal	472635
Cone/Cup	14131-14276[2]
Kwik Slv (Opt Rpr)	KWK99155
1972-1960	Rockwell	
Seal	472164
Kwik Slv (Opt Rpr)	KWK99174

Idler Shaft

1980-1976	New Process 205: front and rear	
Cone/Cup	2793-2720[2]

AUTOMATIC TRANSMISSION

Torque Converter

1973-1960	Powerglide	
Seal	6712NA
Kwik Slv (Opt Rpr)	KWK99187
1962-1954	Hydramatic	
Seal	450725N ²⁰

Rear Seal/Ext. Housing

1973-1960	Powerglide	
Seal	9613S
Cone	43206
Seal Kit Opt.	5200 ⁶⁴
1962-1954	Hydramatic: 1.5" shaft	
Seal	7038SA
Seal Kit Opt.	5200 ⁶⁴
1962-1954	Hydramatic: 1.687" shaft	
Seal	9613S
Bearing	107WB
Seal Kit Opt.	5205 ⁶⁴

3-SPEED AUTOMATIC TRANSMISSION

Torque Converter

1989-1961		
Seal	6712NA
Kwik Slv (Opt Rpr)	KWK99187

3-SPEED AUTOMATIC TRANSMISSION

Rear Seal/Ext. Housing

1989-1980	exc. THM350	
Seal	9449
Seal Kit Opt.	5208 ⁶⁴
1987-1980	THM350	
Seal	9613S
Seal Kit Opt.	5200 ⁶⁴
1979-1967	exc. THM400	
Seal	9613S
Seal Kit Opt.	5200 ⁶⁴
1979-1964	THM400: 1.890" shaft	
Seal	9449
Seal Kit	5208 ⁶⁴
1977-1964	THM400: 1.687" shaft	
Seal	7038SA
Seal Kit Opt.	5205 ⁶⁴

Selector Shaft Seal/Man. Shaft

1989-1964		
Seal	8792S

4-SPEED AUTOMATIC TRANSMISSION

Torque Converter

1989-1982	THM700, 4L60-E	
Seal	3227
Kwik Slv (Opt Rpr)	KWK99174

Rear Seal/Ext. Housing

1989-1983	HM4L60	
Seal	9613S
Kwik Slv (Opt Rpr)	KWK99149
Seal Kit Opt.	5200 ⁶⁴

Selector Shaft Seal/Man. Shaft

1989-1982		
Seal	8792S

CLUTCH - 4 CYLINDER

Pilot Bearing

1965-1963	153/2.5L	
Bushing H/D	PB656HD

CLUTCH - 6 CYLINDER

Pilot Bearing

1989-1987	262/4.3L	
Bearing	57080
1986-1946	194/3.2, 216/3.5, 230/3.8, 235/3.8, 250/4.1, 261/4.3, 262/4.3, 292/4.8	
Bushing H/D	PB656HD

[] Indicates Quantity Required; Set Components Listed Inside Rear Cover;

²⁰ Not currently in production; check for availability ⁶⁴ Opt. Seal and Bushing Kit

Bearings and Seals

Mfg./Year Model & Location Part No Mfg./Year Model & Location Part No

CHEVROLET/GMC TRUCK - 1/2 TON - C-10/15, K-10/15, R-10/15, V-10/15, Blazer/Jimmy, Suburban (cont.)

CLUTCH - 8 CYLINDER

Pilot Bearing

1989-1987	293/4.8, 305/5.0, 350/5.7, 379/6.2 (diesel), 395/6.5 (diesel), 454/7.4	
Bearing	57080
1986-1982	diesel	
Bearing	57080
1986-1955	exc. diesel	
Bushing H/D	PB656HD

CLUTCH - 4 CYLINDER

Release Bearing

1963	153/2.5L	
Bearing Assy	614037 ⁴²

CLUTCH - 6 CYLINDER

Release Bearing

1989-1985	262/4.3L (w/o cable activation)	
Bearing Assy	614109
1989-1985	262/4.3L (cable activated)	
Bearing Assy	614018 ⁴²
1984-1977	250/4.1L, 292/4.8L	
Bearing Assy	614018 ⁴²
1976-1972	250/4.1L flat diaphragm	
Bearing Assy	614037 ⁴²
1976-1972	250/4.1L cone diaph.	
Bearing Assy	614018 ⁴²
1976-1969	292/4.8L	
Bearing Assy	614018 ⁴²
1971-1969	230/3.8L, 250/4.1L	
Bearing Assy	614037 ⁴²
1968-1963	194/3.2, 230/3.8, 250/4.1, 292/4.8	
Bearing Assy	614037 ⁴²
1962-1955	270/ 4.4L (flat diaph)	
Bearing Assy	614037 ⁴²
1961-1955	270/ 4.4L (3 finger type)	
Bearing Assy	614018 ⁴²

CLUTCH - 8 CYLINDER

Release Bearing

1989-1985	305/5.0 exc. cable clutch, 350/5.7, 379/6.2, 395/6.5, 454/7.4	
Bearing Assy	614109
1989-1985	305/5.0, cable clutch	
Bearing Assy	614018 ⁴²
1984-1967	exc. 283/4.6	
Bearing Assy	614018 ⁴²
1967	283/4.6L 3 lever design	
Bearing Assy	614018 ⁴²
1967	283/4.6L flat diaphragm	
Bearing Assy	614037 ⁴²
1957-1955	265/4.3L	
Bearing Assy	614037 ⁴²

3-SPEED MANUAL TRANSMISSION

Transmission Rebuild Kit

1987-1966	SM326 Saginaw	
Kit	TRK301

Front Input Shaft

1987-1966	SM326 Saginaw	
Seal	7412S
Bearing	207SLB
Kwik Slv (Opt Rpr)	KWK99125
1981-1976	Tremac	
Seal	482208
Bearing	208LO
Kwik Slv (Opt Rpr)	KWK99112
1976-1968	SM330 Muncie: H/D	
Seal	7412S
Bearing	307L
Kwik Slv (Opt Rpr)	KWK99125
1968-1967	Warner	
Seal	7412S
Bearing	307L
Kwik Slv (Opt Rpr)	KWK99125
1968-1961	SM318, SM319: with overdrive	
Seal	7412S
Bearing	1207SLB
Kwik Slv (Opt Rpr)	KWK99125
1968-1961	SM318, SM319: exc. overdrive	
Seal	7412S
Bearing	207SLB
Kwik Slv (Opt Rpr)	KWK99125
1965-1959	Warner	
Bearing	307L
1960	SM318: with overdrive	
Bearing	1207SLB
1960	SM318: exc. overdrive	
Seal	7412S
Bearing	207SLB
1959-1946	SM318	
Bearing	207SLB

Rear Output Shaft

1987-1966	SM326 Saginaw: 76mm shaft	
Seal	9613S
Bearing	306SLVB
Seal Kit Opt.	5200 ⁶⁴
1981-1976	Tremac	
Seal	9613S
Bearing	207L
Seal Kit Opt.	5200 ⁶⁴
1976-1968	SM330 Muncie: H/D	
Seal	9613S
Bearing	307L
Seal Kit Opt.	5200 ⁶⁴
1968-1967	Warner	
Seal	9613S
Bearing	1307L
Seal Kit Opt.	5200 ⁶⁴
1968-1955	SM318, SM319	
Seal	9613S
Bearing	306LO
Seal Kit Opt.	5200 ⁶⁴

108 [] Indicates Quantity Required; Set Components Listed Inside Rear Cover;

⁴² Sealed Self-Aligning Bearing ⁶⁴ Opt. Seal and Bushing Kit

CHEVROLET/GMC TRUCK - 1/2 TON - C-10/15, K-10/15, R-10/15, V-10/15, Blazer/Jimmy, Suburban (cont.)

3-SPEED MANUAL TRANSMISSION (cont.)

Rear Output Shaft (cont.)

1966-1959	Warner	
Seal	471341N
Bearing	307L
1959-1946	SM318	
Bearing	305L

Selector Shaft Seal/Man. Shaft

1987-1967		
Seal	240735
Kwik Slv (Opt Rpr)	KWK99076
1966-1959	Warner	
Seal	340797
Kwik Slv (Opt Rpr)	KWK99059

4-SPEED MANUAL TRANSMISSION

Transmission Rebuild Kit

1987-1963	New Process 435	
Kit	TRK127
1986-1978	Muncie (M20)(CH465)	
Kit	TRK157
1979-1968	SM465	
Kit	TRK157

Input Shaft

1989-1980	Muncie (M20)(CH465); 1st design	
Seal	481181N
Bearing	N1211L
Kwik Slv (Opt Rpr)	KWK99162
1988	Getrag	
Seal	4529N
Kwik Slv (Opt Rpr)	KWK99138
1979-1963	Muncie: 83mm shaft	
Seal	7412S
Bearing	N1307L
Kwik Slv (Opt Rpr)	KWK99125
1977-1968	SM465	
Seal	481181N
Bearing	N1211L
Kwik Slv (Opt Rpr)	KWK99162
1972-1969	New Process 435 (1.120" spline)	
Seal	7412S
Cone/Cup	HM88649-HM88610
Kwik Slv (Opt Rpr)	KWK99125
1972-1969	New Process 435 (1.500" spline)	
Seal	470380
Cone/Cup	HM88649-HM88610
Kwik Slv (Opt Rpr)	KWK99149
1970-1968	T10 Warner	
Seal	7412S
Bearing	307L
Kwik Slv (Opt Rpr)	KWK99125
1968-1964	New Process 435 (1.500" spline)	
Seal	470380
Bearing	1308L
Kwik Slv (Opt Rpr)	KWK99149

4-SPEED MANUAL TRANSMISSION (cont.)

Input Shaft (cont.)

1968-1964	New Process 435 (1.120" spline)	
Seal	7412S
Bearing	1308L
Kwik Slv (Opt Rpr)	KWK99125

Rear Output Shaft

1989-1985	Muncie (M20)(CH465)	
Seal	410085
Bearing	308FFL
1989-1981	New Process	
Seal	9613S
Bearing	308LOE
Seal Kit Opt.	5200 ⁶⁴
1988	Getrag	
Seal	4528N
1984-1980	Muncie	
Seal	410085
Bearing	1308L
1979-1978	Muncie	
Seal	714654
Bearing	308L
1979-1963	Muncie 27-spline	
Seal	9613S
Bearing	308L
Seal Kit Opt.	5200 ⁶⁴
1977-1968	SM465	
Seal	410085
Bearing	1308SL
1972-1964	New Process	
Seal	470898
Bearing	1308SL
1970-1968	Warner	
Seal	9613S
Bearing	307L
Seal Kit Opt.	5200 ⁶⁴
1968-1965	Muncie 32-spline	
Seal	9449
Bearing	308L
Seal Kit Opt.	5208 ⁶⁴

5-SPEED MANUAL TRANSMISSION

Front Input Shaft

1989-1988	Getrag	
Seal	4529N
Kwik Slv (Opt Rpr)	KWK99133

Rear Output Shaft

1989-1988	Getrag 4x2 (MG5)	
Seal	2692
Bearing	307FF
Kwik Slv (Opt Rpr)	KWK99187
1989-1988	Getrag w/ 4x4 (MG5)	
Seal	4532N
Kwik Slv (Opt Rpr)	KWK99146

[] Indicates Quantity Required; Set Components Listed Inside Rear Cover;

⁶⁴ Opt. Seal and Bushing Kit

Bearings and Seals

Mfg./Year Model & Location Part No Mfg./Year Model & Location Part No

CHEVROLET/GMC TRUCK - 1/2 TON - C-10/15, K-10/15, R-10/15, V-10/15, Blazer/Jimmy, Suburban (cont.)

A/C COMPRESSOR

1989-1975
 Bearing 907257
 Bearing (Frt head) S128

DRIVESHAFT SUPPORT

1989-1955 Spicer 1280, 1310, 1330: 1.3780" bearing ID
 Bearing 88107
 Hanger Bearing Assy HB88107A
1989-1977 Spicer 1410: 4x4: 1.5748" bearing ID
 Hanger Bearing Assy HB108

POWER STEERING

Pitman Shaft

1989-1960
 Seal Kit PSK1²⁴

Pump Shaft

1989-1960
 Seal 7013S
 Bearing 8537

CRANKSHAFT REAR SEAL

6 Cylinder

1989-1986
 Seal Viton 4359V
 Seal PTFE H/D Opt. 5274
 Kwik Slv (Opt Rpr) KWK99364
1985-1963
 Seal 5092

CRANKSHAFT REAR SEAL

8 Cylinder

1989-1986 exc. 454 & diesel engines
 Seal Viton 4359V
 Seal PTFE H/D Opt. 5274
 Kwik Slv (Opt Rpr) KWK99364
1989-1982 diesel
 Seal 5163
1985-1967 exc. 454 & diesel engines
 Seal 5092
1980-1973 454/7.4L
 Seal 5072

TIMING COVER

6 Cylinder

1989-1946
 Seal 9845
 Kwik Slv (Opt Rpr) KWK99176
 Harmonic Balancer
 Sleeves Opt. 88176

8 Cylinder

1989-1955 exc. 454 & diesel engines
 Seal 9845
 Kwik Slv (Opt Rpr) KWK99176
1989-1973 454 & diesel engines
 Seal 3945
 Kwik Slv (Opt Rpr) KWK99233

CHEVROLET/GMC TRUCK - 1/2 TON - Full Size Vans - G10/G15

FRONT WHEEL

1989-1973
 Seal (inner) 8871[2]
 Set (inner) SET5
 Set (outer) SET3
1972-1971 drum brakes
 Seal (inner) 9015S[2]
 Set (inner) SET5
 Set (outer) SET2
1972-1971 disc brakes
 Seal (inner) 8871[2]
 Set (inner) SET6
 Set (outer) SET2
1970-1964
 Seal (inner) 8705S[2]
 Set (inner) SET6
 Set (outer) SET2

REAR WHEEL

1989-1973
 Seal 8835S[2]
 Cyl. Bearing 6408[2]
 Kit TRP1559TV[2]¹⁹
1972-1964 w/ HO31 or H035 axle
 Seal 8835S[2]
 Cyl. Bearing 6408[2]
 Kit TRP1559TV[2]¹⁹
1972-1964 w/ H024
 Seal 8660S[2]
 Cyl. Bearing 5707[2]
 Kit TRP1563TAV[2]¹⁹

REAR AXLE

Differential Rebuild Kit

1989-1988 9.5" ring gear
 Kit DRK324
1989-1976 8.5" ring gear
 Kit DRK321

110 [] Indicates Quantity Required; Set Components Listed Inside Rear Cover;

¹⁹ Opt. Axle Repair Bearing. Replaces O.E. bearing & seal.

²⁴ Opt. Kit incl. seals 5683 & 5684. Not sold

separately

CHEVROLET/GMC TRUCK - 1/2 TON - Full Size Vans - G10/G15 (cont.)

REAR AXLE (cont.)

Differential Rebuild Kit (cont.)

1981-1980	8.75" ring gear	
Kit	DRK323
1981-1964	8.875" ring gear	
Kit	DRK322
1972-1968	Dana/Spicer 60-1, 60-3, 60-35 axles	
Kit	DRK331
1972-1965	Dana/Spicer 44-1 axle	
Kit	DRK339B
1967	Dana/Spicer 60-35 axle	
Kit	DRK331

Differential

1989-1973	8.5", 8.625" ring gear	
Cone/Cup	LM501349-LM501314[2]
1981-1964	8.875" ring gear	
Set	SET36[2]
1972-1968	Dana/Spicer 60-1, 60-3, 60-35 axles	
Cone/Cup	387A-382S[2]
1972-1965	Dana/Spicer 44-1 axle	
Cone/Cup	25590-25523[2]
1967	Dana/Spicer 60-35 axle	
Cone/Cup	387A-382S[2]
1964	Dana/Spicer 44-1, 45 axles	
Cone/Cup	25577-25523[2]

Pinion

1989-1976	8.5" ring gear	
Cone/Cup (inner)	M802048-M802011
Seal (outer)	2043
Cone/Cup (outer)	M88048-M88010
Cone/Cup (outer) Opt.	M88048A-M88010
Kwik Slv (Opt Rpr)	KWK99193
1981-1977	8.875" ring gear: with Positraction	
Cone/Cup (inner)	M804049-M804010
Seal (outer)	8460N
Cone/Cup (outer)	M88048-M88010
Seal (outer) Opt.	8460N
Cone/Cup (outer) Opt.	M88048A-M88010
1981-1964	8.875" ring gear	
Cone/Cup (inner)	HM89449-HM89410
Seal (outer)	8460N
Cone/Cup (outer)	M88048-M88010
Seal (outer) Opt.	8460N
Cone/Cup (outer) Opt.	M88048A-M88010
1975-1973	8.125" ring gear	
Cone/Cup (inner)	HM89449-HM89410
Seal (outer)	8611N
Cone/Cup (outer)	M86649-M86610
1972-1968	Dana/Spicer 60-1, 60-3 axles	
Cone/Cup (inner)	HM803146-HM803110
Seal (outer)	9316
Cone/Cup (outer)	HM88542-HM88510

REAR AXLE (cont.)

Pinion (cont.)

1972-1967	Dana/Spicer 60-35 coil spring axle	
Cone/Cup (inner)	HM803146-HM803110
Seal (outer)	9316
Cone/Cup (outer)	HM88542-HM88510
1972-1967	Dana/Spicer 60-35 leaf spring axle	
Cone/Cup (inner)	HM803146-HM803110
Seal (outer)	6808N
Cone/Cup (outer)	HM88542-HM88510
1972-1964	Dana/Spicer 44-1 axle	
Cone/Cup (inner)	31594-31520
Seal (outer)	5778
Cone/Cup (outer)	02872-02820

3-SPEED AUTOMATIC TRANSMISSION

Torque Converter

1989-1964		
Seal	6712NA
Kwik Slv (Opt Rpr)	KWK99187

Rear Seal/Ext. Housing

1989-1980	exc. THM350	
Seal	9449
Seal Kit Opt.	5208 ⁶⁴
1987-1980	THM350	
Seal	9613S
Seal Kit Opt.	5200 ⁶⁴
1979-1967	exc. THM400	
Seal	9613S
Seal Kit Opt.	5200 ⁶⁴
1979-1964	THM400: 1.890" shaft	
Seal	9449
Seal Kit Opt.	5208 ⁶⁴
1977-1964	THM400: 1.687" shaft	
Seal	7038SA
Seal Kit Opt.	5205 ⁶⁴

Selector Shaft Seal/Man. Shaft

1989-1964		
Seal	8792S

4-SPEED AUTOMATIC TRANSMISSION

Torque Converter

1989-1982	THM700, 4L60-E	
Seal	3227
Kwik Slv (Opt Rpr)	KWK99174

Rear Seal/Ext. Housing

1989-1983	HM4L60	
Seal	9613S
Kwik Slv (Opt Rpr)	KWK99149
Seal Kit Opt.	5200 ⁶⁴

[] Indicates Quantity Required; Set Components Listed Inside Rear Cover;
⁶⁴ Opt. Seal and Bushing Kit

Bearings and Seals

Mfg./Year Model & Location Part No Mfg./Year Model & Location Part No

CHEVROLET/GMC TRUCK - 1/2 TON - Full Size Vans - G10/G15 (cont.)

4-SPEED AUTOMATIC TRANSMISSION

Selector Shaft Seal/Man. Shaft

1989-1982
Seal 8792S

CLUTCH - 6 CYLINDER

Pilot Bearing

1989-1987
Bearing 57080
1986-1967
Bushing H/D PB656HD

CLUTCH - 8 CYLINDER

Pilot Bearing

1989-1987
Bearing 57080
1986-1968
Bushing H/D PB656HD

CLUTCH

Release Bearing

1989-1984 with hydraulic mechanism
Bearing Assy 614174
1989-1984 with cable-actuated mechanism
Bearing Assy 614018⁴²
1983-1973 exc. 250 (4.1) engine with 1.875"
ID diaphragm
Bearing Assy 614018⁴²
1983-1973 250 (4.1) engine with 1.875" ID
diaphragm clutch
Bearing Assy 614037⁴²
1972-1967 exc. 194 (3.2), 250 (4.1) engines
Bearing Assy 614018⁴²
1972-1967 194 (3.2), 250 (4.1) engines
Bearing Assy 614037⁴²
1966 coil spring clutch: exc. diesel
Bearing Assy 614018⁴²
1966 diaphragm clutch: exc. diesel
Bearing Assy 614037⁴²
1965-1964 exc. 261, 292, 327 engines
Bearing Assy 614018⁴²

3-SPEED MANUAL TRANSMISSION

Transmission Rebuild Kit

1987-1966 SM326 Saginaw
Kit TRK301

Front Input Shaft

1987-1964 Saginaw
Seal 7412S
Bearing 207SLB
Kwik Slv (Opt Rpr) KWK99125
1982-1976 Tremac
Seal 482208
Bearing 208LO
Kwik Slv (Opt Rpr) KWK99112

3-SPEED MANUAL TRANSMISSION

(cont.)

Front Input Shaft (cont.)

1976-1968 Muncie
Seal 7412S
Bearing 307L
Kwik Slv (Opt Rpr) KWK99125

Rear Output Shaft

1987-1966 Saginaw
Seal 9613S
Bearing 306SLVB
Seal Kit Opt. 5200⁶⁴
1981-1976 Tremac
Seal 9613S
Bearing 207L
Seal Kit Opt. 5200⁶⁴
1976-1968 Muncie
Seal 9613S
Bearing 307L
Seal Kit Opt. 5200⁶⁴

Selector Shaft Seal/Man. Shaft

1987-1964
Seal 240735
Kwik Slv (Opt Rpr) KWK99076

4-SPEED MANUAL TRANSMISSION

Transmission Rebuild Kit

1987-1963 New Process 435
Kit TRK127
1986-1978 CH465: 117mm front input shaft
Kit TRK157
1979-1968 SM465
Kit TRK157

Input Shaft

1989-1985 New Process (MY6)
Seal 7412S
Kwik Slv (Opt Rpr) KWK99162
1970-1967 Warner
Seal 7412S
Bearing 307L
Kwik Slv (Opt Rpr) KWK99125

Rear Output Shaft

1989-1981 New Process
Seal 9613S
Bearing 308LOE
Seal Kit Opt. 5200⁶⁴
1970-1968 Warner
Seal 9613S
Bearing 307L
Seal Kit Opt. 5200⁶⁴

DRIVESHAFT SUPPORT

1989-1964
Bearing 88107
Hanger Bearing Assy HB88107A

112 [] Indicates Quantity Required; Set Components Listed Inside Rear Cover;

⁴² Sealed Self-Aligning Bearing ⁶⁴ Opt. Seal and Bushing Kit

CHEVROLET/GMC TRUCK - 1/2 TON - Full Size Vans - G10/G15 (cont.)

POWER STEERING

Pitman Shaft

1989-1964	
Seal Kit	PSK1 ²⁴

Pump Shaft

1989-1964	
Seal	7013S
Bearing	8537

CRANKSHAFT REAR SEAL

6 Cylinder

1989-1986	
Seal Viton	4359V
Seal PTFE H/D Opt.	5274
Kwik Slv (Opt Rpr)	KWK99364
1985-1964	
Seal	5092

CRANKSHAFT REAR SEAL

8 Cylinder

1989-1986	305/5.0L, 350/5.7L
Seal Viton	4359V
Seal PTFE H/D Opt.	5274
Kwik Slv (Opt Rpr)	KWK99364
1985-1968	exc. 454 & diesel engines
Seal	5092

TIMING COVER

6 Cylinder

1989-1964	
Seal	9845
Kwik Slv (Opt Rpr)	KWK99176
Harmonic Balancer	
Sleeves Opt.	88176

8 Cylinder

1989-1968	exc. 454 & diesel engines
Seal	9845
Kwik Slv (Opt Rpr)	KWK99176

CHEVROLET/GMC TRUCK - 3/4 TON - C-20/25, K-20/25, R-20/25, V-20/25, Suburban, Full Size Pickups and SUV's

FRONT WHEEL

2WD

1989-1988	exc. C Series & Suburban w/8600 GVWR
Seal (inner)	8974S[2]
Set (inner)	SET45
Cone/Cup (outer)	15103S-15243[2]
1989-1971	C Series & Suburban w/8600 GVWR
Seal (inner)	4739[2]
Set (inner)	SET5
Set (outer)	SET3
1970-1963	
Seal (inner)	8974S[2]
Cone/Cup (inner)	2777-2720[2]
Set (outer)	SET3
1962-1960	
Seal (inner)	8243[2]
Bearing (inner)	B48[2]
Bearing (outer)	B47
1959-1953	
Seal (inner)	5756[2]
Bearing (inner)	B46[2]
Bearing (outer)	B45
1952-1946	
Seal (inner)	40973S[2]
Bearing (inner)	B26[2]
Bearing (outer)	B25

FRONT WHEEL

4WD

1989-1988	Pickup, Suburban, Tahoe: 6-lug wheels
Hub Assy	515001[2] ²⁹
1989-1987	Pickup, Suburban, Tahoe: 8600 GVW, 8-lug wheels
Hub Assy	HA591339[2]
1989-1977	exc. vehicles with hub assembly
Seal (inner)	471271[2]
Cone/Cup (inner)	LM104949-JLM104910[2]
Set (outer)	SET45
1977	1st Design
Seal (inner)	416273[2]
Cone/Cup (inner)	368A-362A[2]
Set (outer)	SET45
1976-1972	Dana/Spicer 44-5F axle
Seal (inner)	416273[2]
Set (inner)	SET37
Set (outer)	SET45
1976-1966	Dana/Spicer 44-6F axle
Seal (inner)	455369[2]
Set (inner)	SET37
Set (outer)	SET45
1976-1960	Dana/Spicer 44-5HDF, 44-6HDF axles
Seal (inner)	455369[2]
Cone/Cup (inner)	368A-362A[2]
Set (outer)	SET45
1959	
Seal (inner)	473473[2]
Set (inner)	SET37
Set (outer)	SET45

[] Indicates Quantity Required; Set Components Listed Inside Rear Cover;

²⁴ Opt. Kit incl. seals 5683 & 5684. Not sold separately

²⁹ Seal is not serviceable on this unit

Bearings and Seals

Mfg./Year Model & Location Part No Mfg./Year Model & Location Part No

CHEVROLET/GMC TRUCK - 3/4 TON - C-20/25, K-20/25, R-20/25, V-20/25, Suburban, Full Size Pickups and SUV's (cont.)

FRONT WHEEL (cont.)

4WD (cont.)

1958-1957	
Seal (inner)	473473[2]
Set (inner)	SET37
Set (outer)	SET37

REAR WHEEL

1989-1981	9.5" ring gear (code Y06)
Seal	710105[2]
Cyl. Bearing	R1561TV[2]
Kit	TGM1561R[2] ¹⁹
1989-1973	10.5" ring gear
Seal (inner)	2081[2]
Cone/Cup (inner)	387AS-382A[2]
Set (outer)	SET38
1989-1987	9.5" ring gear
Seal	3747[2]
Cyl. Bearing	R1561TV[2]
Kit	TGM1561R[2] ¹⁹
1972-1967	HO52 axle
Seal (inner)	2081[2]
Cone/Cup (inner)	388A-382[2]
Cone/Cup (outer)	368S-362[2]
1972-1965	Spicer 60 axle
Seal (inner)	455860[2]
Cone/Cup (inner)	28678-28622[2]
Cone/Cup (outer)	18690-18620[2]
1966-1965	coil springs
Seal (inner)	2081[2]
Cone/Cup (inner)	388A-382[2]
Cone/Cup (outer)	368S-362[2]
1966-1965	leaf springs
Seal (inner)	455860[2]
Cone/Cup (inner)	388A-382[2]
Cone/Cup (outer)	368S-362[2]
1964-1946	3400-3700 Series
Seal (inner)	2081[2]
Cone/Cup (inner)	388A-382[2]
Cone/Cup (outer)	368S-362[2]

4WD FRONT AXLE

Differential Rebuild Kit

1989-1988	9.25" ring gear
Kit	DRK324A
1987-1977	8.5" ring gear
Kit	DRK321
1982-1969	Dana/Spicer 44-5, 44-6, 44-8 series axles
Kit	DRK339B

Differential

1989-1988	9.25" ring gear
Seal	450094[2]
Set	SET42[2]
1989-1978	8.25", 8.5" ring gear: GM axles
Cone/Cup	LM501349-LM501314[2]
1982-1969	Dana/Spicer 44 series axles
Cone/Cup	25590-25523[2]

4WD FRONT AXLE (cont.)

Differential (cont.)

1968-1960	Dana/Spicer 44 series axles
Cone/Cup	25577-25523[2]
1959-1958	FH035 axle
Cone/Cup	388A-382

Pinion

1989-1988	9.25" ring gear
Cone/Cup (inner)	HM804846-HM804810
Seal (outer)	710281
Cone/Cup (outer)	HM88649-HM88610
1989-1988	8.25" ring gear: GM axle
Cone/Cup (inner)	M802048-M802011
Seal (outer)	710281
Cone/Cup (outer)	M88048-M88010
Cone/Cup (outer) Opt.	M88048A-M88010
1989-1977	8.5" ring gear: GM axle
Cone/Cup (inner)	M802048-M802011
Seal (outer)	8622
Cone/Cup (outer)	M88048-M88010
Cone/Cup (outer) Opt.	M88048A-M88010
1982-1960	Dana/Spicer 44 series axles
Cone/Cup (inner)	31594-31520
Seal (outer)	5778
Cone/Cup (outer)	02872-02820
1959-1958	FH035 axle
Seal (outer)	411330N
Bearing Assy (outer)	55197-90030
Cyl. Bearing (pilot)	MUB5205UM

Spindle Kit

1989-1973	Bearing & Seal Kit	SBK1 ³³
------------------	--------------------------	--------------------

Spindle

1989-1973	Seal (inner)	722108[2]
	Needle Bearing (inner)	B2110[2]
	Seal (outer)	722109[2]
1972-1960	Dana/Spicer 44-5, 44-6 series axles	
	Seal	472394[2]
	Needle Bearing	B2110[2]

Steering Knuckle

1972-1960	Dana/Spicer 44-5F, 44-6F axles
Seal (upper)	204005S[2]
Cone/Cup (upper)	11590-11520[2]
Seal (lower)	204005S[2]
Cone/Cup (lower)	11590-11520[2]
1972-1960	Dana/Spicer 44-5CFHD, 44-6CFHD axles
Cone/Cup (upper)	23100-23256[2]
Cone/Cup (lower)	23100-23256[2]

114 [] Indicates Quantity Required; Set Components Listed Inside Rear Cover;

¹⁹ Opt. Axle Repair Bearing. Replaces O.E. bearing & seal.

³³ Opt. Kit incl: Bearing B2110; Seals 722108 &

CHEVROLET/GMC TRUCK - 3/4 TON - C-20/25, K-20/25, R-20/25, V-20/25, Suburban, Full Size Pickups and SUV's (cont.)

REAR AXLE

Differential Rebuild Kit

1989-1979	8.5" ring gear	
Kit		DRK321
1989-1988	10.5" ring gear: 2nd design	
Kit		DRK325A
1989-1981	9.5" ring gear	
Kit		DRK324
1988-1973	10.5" ring gear: 1st design: production thru early 1988	
Kit		DRK325
1981-1964	8.875" ring gear: H031, H035 axles	
Kit		DRK322
1972-1965	Dana/Spicer 60-1, 60-3, 60-35 axles	
Kit		DRK331

Differential

1989-1981	9.5" ring gear	
Set		SET42[2]
1989-1973	10.5" ring gear	
Cone/Cup		387AS-382A[2]
1989-1976	8.5" ring gear	
Cone/Cup		LM501349-LM501314[2]
1981-1967	8.75", 8.875" ring gears: H031, H035 axles	
Set		SET36[2]
1972-1968	Dana/Spicer 60-1, 60-3, 60-35 axles	
Cone/Cup		387A-382S[2]
1972-1956	H052, H072 axles	
Cone/Cup		388A-382[2]
1967	Dana/Spicer 60-35 axle	
Cone/Cup		387A-382S[2]
1955-1946	H072 axle	
Cone/Cup		388A-382[2]

Pinion

1989-1981	9.5" ring gear	
Cone/Cup (inner)		HM804846-HM804810
Seal (outer)		3896
Cone/Cup (outer)		HM88649-HM88610
1989	10.5" ring gear	
Cone/Cup (inner)		HM903249-HM903210
Seal (outer)		2286
Cone/Cup (outer)		M802048-M802011
Cyl. Bearing (pilot)		R1581TV
1988	10.5" ring gear: 1st design	
Cone/Cup (inner)		HM803149-HM803110
Seal (outer)		2286
Cone/Cup (outer)		M802048-M802011
Cyl. Bearing (pilot)		R1581TV
1988	10.5" ring gear: 2nd design	
Cone/Cup (inner)		HM903249-HM903210
Seal (outer)		2286
Cone/Cup (outer)		M802048-M802011
Cyl. Bearing (pilot)		R1581TV

REAR AXLE (cont.)

Pinion (cont.)

1987-1986	10.5" ring gear	
Cone/Cup (inner)		HM803149-HM803110
Seal (outer)		2286
Cone/Cup (outer)		M802048-M802011
Cyl. Bearing (pilot)		R1581TV
1985-1984	10.5" ring gear	
Cone/Cup (inner)		HM803149-HM803110
Seal (outer)		2286
Cone/Cup (outer)		M802048-M802011
Needle Bearing (pilot)		512224
1983-1973	10.5" ring gear	
Cone/Cup (inner)		HM803149-HM803110
Seal (outer)		2286
Cone/Cup (outer)		M802048-M802011
Cyl. Bearing (pilot)		R1581TV
1981-1964	8.875" ring gear: H031, H035 axles	
Cone/Cup (inner)		HM89449-HM89410
Seal (outer)		8460N
Cone/Cup (outer)		M88048-M88010
1972-1968	H052 axle	
Seal (outer)		411330N
Bearing Assy (outer)		55197-90030
Cyl. Bearing (pilot)		M5205EL
1972-1968	H072 axle	
Seal (outer)		411330N
Bearing Assy (outer)		55197-90030
Cyl. Bearing (pilot)		M5205EL
1972-1968	Dana/Spicer 60-1, 60-3 axles	
Cone/Cup (inner)		HM803146-HM803110
Seal (outer)		9316
Cone/Cup (outer)		HM88542-HM88510
1972-1967	Dana/Spicer 60-35 coil spring axle	
Cone/Cup (inner)		HM803146-HM803110
Seal (outer)		9316
Cone/Cup (outer)		HM88542-HM88510
1972-1967	Dana/Spicer 60-35 leaf spring axle	
Cone/Cup (inner)		HM803146-HM803110
Seal (outer)		6808N
Cone/Cup (outer)		HM88542-HM88510
1967-1961	H052 axle	
Seal (outer)		411330N
Bearing (outer)		5310WA
Cyl. Bearing (pilot)		M5202EL
1967-1961	H072 axle	
Seal (outer)		411330N
Bearing (outer)		5310WA
Cyl. Bearing (pilot)		M5202EL
1960	H052 axle	
Seal (outer)		411330N
Bearing Assy (outer)		55197-90030
Cyl. Bearing (pilot)		MUB5205UM
1960	H072 axle	
Seal (outer)		411330N
Bearing Assy (outer)		55197-90030

Bearings and Seals

Mfg./Year Model & Location Part No Mfg./Year Model & Location Part No

CHEVROLET/GMC TRUCK - 3/4 TON - C-20/25, K-20/25, R-20/25, V-20/25, Suburban, Full Size Pickups and SUV's (cont.)

REAR AXLE (cont.)

Pinion (cont.)

1959-1946	H052 axle	
Seal (outer)	411330N
Bearing Assy (outer)	55197-90030
Cyl. Bearing (pilot)	MUB5205UM
1959-1946	H072 axle	
Seal (outer)	411330N
Bearing Assy (outer)	55197-90030
Cyl. Bearing (pilot)	MUB5205UM

TRANSFER CASE REBUILD KIT

1989-1988	New Process 241C	
Kit	TCRK241D ⁵⁰
1988-1981	New Process 208	
Kit	TCRK208SPK ⁴⁷
1980	New Process 205 with Turbo 400 trans	
Kit	TCRK205GDM
1980	New Process 205 exc. Turbo 400 trans	
Kit	TCRK205G
1979-1973	New Process 203	
Kit	TCRK203G
1979-1969	New Process 205	
Kit	TCRK205G
1972-1969	Spicer 18	
Kit	TCRK18

TRANSFER CASE

Input Shaft

1989-1988	New Process 241	
Seal	3173[2]
Bearing	N5210KLB
Seal Dual Lip	710298[2]
Kwik Slv (Opt Rpr)	KWK99193[2]
Needle Bearing (pilot)	SCH1810
1988-1981	New Process 208	
Seal	3173[2]
Needle Bearing	B5020[2]
Seal Dual Lip	710298[2]
Kwik Slv (Opt Rpr)	KWK99193[2]
Needle Bearing (pilot)	B2012
Needle Bearing Thrust	AXK5070
1980	New Process 205 exc. Turbo 400 trans	
Seal	471869[2]
Bearing	1307L[2]
Kwik Slv (Opt Rpr)	KWK99193[2]
Needle Bearing (pilot)	QAR29523[15]
1980	New Process 205 with Turbo 400 trans	
Seal	471869[2]
Bearing	1210L[2]
Kwik Slv (Opt Rpr)	KWK99193[2]
Needle Bearing (pilot)	QAR29523[15]
1979-1969	New Process 205	
Seal	471869[2]
Bearing	1307L[2]
Kwik Slv (Opt Rpr)	KWK99193[2]

Front Output Shaft

1989-1988	New Process 241, 243	
Seal	3946
Bearing	207
Kwik Slv (Opt Rpr)	KWK99187
Needle Bearing (pilot)	J2416
1988-1981	New Process 208	
Seal	3946
Needle Bearing	B2816
Kwik Slv (Opt Rpr)	KWK99187
Needle Bearing (pilot)	J2416
Needle Bearing Thrust	NTA2840[2]
1980-1969	New Process 205	
Seal	710005
Bearing	307L[2]
Kwik Slv (Opt Rpr)	KWK99174
Needle Bearing (pilot)	M28161
1975-1973	New Process 203	
Seal	450087
Bearing	307L[2]
Kwik Slv (Opt Rpr)	KWK99174
Needle Bearing (pilot)	M28161
1972-1969	Spicer 18	
Seal	472635
Bearing	206WB
Kwik Slv (Opt Rpr)	KWK99155
1972-1960	Rockwell T221	
Seal (front)	472164
Bearing (front)	207L
Kwik Slv (Opt Rpr)	KWK99174
Bearing (rear)	209L

Rear Output Shaft

1989-1988	New Process 241	
Seal	9449
Bearing	207
Seal Kit Opt.	5208 ⁶⁴
Needle Bearing (pilot)	B5020[2]
1988-1981	New Process 208	
Seal	9449
Bearing	1207L
Seal Kit Opt.	5208 ⁶⁴
Needle Bearing (pilot)	B3616
Needle Bearing Thrust	TC2435
1980-1969	New Process 205	
Seal	473468
Bearing	307L
Kwik Slv (Opt Rpr)	KWK99212
Needle Bearing (pilot)	B3216
1979-1973	New Process 203	
Seal	473204
Bearing	307L
Kwik Slv (Opt Rpr)	KWK99212
Needle Bearing (pilot)	QAR29523[15]
1972-1969	Spicer 18	
Seal	472635
Cone/Cup	14131-14276[2]
Kwik Slv (Opt Rpr)	KWK99155

116 [] Indicates Quantity Required; Set Components Listed Inside Rear Cover;

⁴⁷ Includes Small Parts Kit ⁵⁰ 6010-N I/S brg. ⁶⁴ Opt. Seal and Bushing Kit

CHEVROLET/GMC TRUCK - 3/4 TON - C-20/25, K-20/25, R-20/25, V-20/25, Suburban, Full Size Pickups and SUV's (cont.)

TRANSFER CASE (cont.)

Rear Output Shaft (cont.)

1972-1960	Rockwell T221	
Seal		472164
Cone/Cup	15126-15245[2]	
Kwik Slv (Opt Rpr)	KWK99174	

Idler Shaft

1980-1969	New Process 205	
Cone/Cup	2793-2720[2]	
1979-1973	New Process 203	
Needle Bearing	QAR29523[72]	
1972-1969	Spicer 18	
Needle Bearing	Q13367[48]	
1972-1960	Rockwell T221	
Cone/Cup (front)	02476-02420	
Cone/Cup (rear)	15126-15245	

Oil Pump Housing

1989-1981	New Process 208, 241, 243	
Seal	341022	
Kwik Slv (Opt Rpr)	KWK99225	

Selector Shaft Seal/Man. Shaft

1980-1969	New Process 205	
Seal	2287[2]	
Kwik Slv (Opt Rpr)	KWK99076[2]	
1972-1969	Spicer 18	
Seal	470009[2]	
Kwik Slv (Opt Rpr)	KWK99062[2]	
1972-1960	Rockwell T221	
Seal	480954[2]	
Kwik Slv (Opt Rpr)	KWK99076[2]	

AUTOMATIC TRANSMISSION

Torque Converter

1973-1960	Powerglide	
Seal	6712NA	
Kwik Slv (Opt Rpr)	KWK99187	
1967-1954	Hydramatic	
Seal	450725N ²⁰	

Rear Seal/Ext. Housing

1973-1954	Hydramatic: 1.687" shaft	
Seal	7038SA	
Bearing	107WB	
Seal Kit Opt.	5200 ⁶⁴	
1973-1954	exc. Hydramatic w/1.687" shaft	
Seal	9613S	
Cone	43206	
Seal Kit Opt.	5200 ⁶⁴	

3-SPEED AUTOMATIC TRANSMISSION

Torque Converter

1989-1964		
Seal	6712NA	
Kwik Slv (Opt Rpr)	KWK99187	

Rear Seal/Ext. Housing

1989-1964	THM400: 1.890" shaft	
Seal	9449	
Seal Kit Opt.	5208 ⁶⁴	
1986-1964	THM350	
Seal	9613S	
Seal Kit Opt.	5200 ⁶⁴	
1977-1964	THM400: 1.687" shaft	
Seal	7038SA	
Seal Kit Opt.	5205 ⁶⁴	

Selector Shaft Seal/Man. Shaft

1989-1980		
Seal	8792S	

4-SPEED AUTOMATIC TRANSMISSION

Torque Converter

1989-1982	THM700, 4L60-E	
Seal	3227	
Kwik Slv (Opt Rpr)	KWK99174	

Rear Seal/Ext. Housing

1989-1982	THM700-R4	
Seal	9613S	
Kwik Slv (Opt Rpr)	KWK99149	
Seal Kit Opt.	5200 ⁶⁴	

Selector Shaft Seal/Man. Shaft

1989-1982		
Seal	8792S	

CLUTCH

Pilot Bearing

1989-1982	diesel, turbodiesel engines	
Bearing	57080	
1989-1982	gas engine	
Bushing H/D	PB656HD	
1981-1946		
Bushing H/D	PB656HD	

CLUTCH - 6 CYLINDER

Release Bearing

1989-1985	hydraulic	
Bearing Assy	614109	
1989-1985	cable clutch	
Bearing Assy	614018 ⁴²	
1984-1972	250/4.1L cone diaph.	
Bearing Assy	614018 ⁴²	
1984-1969	292/4.8L	
Bearing Assy	614018 ⁴²	
1976-1972	250/4.1L flat diaph	
Bearing Assy	614037 ⁴²	
1971-1969	230/3.8L, 250/4.1L	
Bearing Assy	614037 ⁴²	
1968-1963	230/3.8L, 250/4.1L, 292/4.8L	
Bearing Assy	614037 ⁴²	
1963-1950	bent diaphragm	
Bearing Assy	614018 ⁴²	

[] Indicates Quantity Required; Set Components Listed Inside Rear Cover;

²⁰ Not currently in production; check for availability
and Bushing Kit

⁴² Sealed Self-Aligning Bearing

⁶⁴ Opt. Seal

Bearings and Seals

Mfg./Year Model & Location Part No Mfg./Year Model & Location Part No

CHEVROLET/GMC TRUCK - 3/4 TON - C-20/25, K-20/25, R-20/25, V-20/25, Suburban, Full Size Pickups and SUV's (cont.)

CLUTCH - 6 CYLINDER (cont.)

Release Bearing (cont.)

1963-1950	flat diaphragm	
	Bearing Assy	614037 ⁴²
1952-1946	216/3.5L	
	Bearing Assy	614037 ⁴²

CLUTCH - 8 CYLINDER

Release Bearing

1989-1985	exc. cable clutch	
	Bearing Assy	614109
1989-1985	cable clutch	
	Bearing Assy	614018 ⁴²
1984-1968		
	Bearing Assy	614018 ⁴²
1967-1957	283/4.6L bent diaphragm	
	Bearing Assy	614018 ⁴²
1967-1957	283/4.6L flat diaphragm	
	Bearing Assy	614037 ⁴²

3-SPEED MANUAL TRANSMISSION

Transmission Rebuild Kit

1987-1966	SM326 Saginaw	
	Kit	TRK301

Front Input Shaft

1987-1966	Saginaw	
	Seal	7412S
	Bearing	207SLB
	Kwik Slv (Opt Rpr)	KWK99125
1982-1976	Tremac	
	Seal	482208
	Bearing	208LO
	Kwik Slv (Opt Rpr)	KWK99112
1976-1969	Muncie	
	Seal	7412S
	Bearing	307L
	Kwik Slv (Opt Rpr)	KWK99125
1968	Warner	
	Seal	7412S
	Bearing	307L
	Kwik Slv (Opt Rpr)	KWK99125
1968-1961	SM318, SM319: with overdrive	
	Seal	7412S
	Bearing	1207SLB
	Kwik Slv (Opt Rpr)	KWK99125
1968-1961	SM318, SM319: exc. overdrive	
	Seal	7412S
	Bearing	207SLB
	Kwik Slv (Opt Rpr)	KWK99125
1966-1960	Warner	
	Bearing	307L
1960	SM318: with overdrive	
	Bearing	1207SLB
1960	SM318: exc. overdrive	
	Bearing	207SLB
1959-1946	SM318	
	Bearing	207SLB

Rear Output Shaft

1987-1966	Saginaw	
	Seal	9613S
	Bearing	306SLVB
1982-1976	Tremac	
	Seal	9613S
	Bearing	207L
1976-1969	Muncie	
	Seal	9613S
	Bearing	307L
1968	Warner	
	Seal	9613S
	Bearing	1307L
	Seal Kit Opt.	5200 ⁶⁴
1968-1955	SM318, SM319	
	Seal	9613S
	Bearing	306LO
	Seal Kit Opt.	5200 ⁶⁴
1966-1960	Warner	
	Seal	471341N
	Bearing	1307
1966-1954	SM318	
	Bearing	305L

Selector Shaft Seal/Man. Shaft

1987-1966	Saginaw	
	Seal	240735
1966-1960	Warner	
	Seal	340797

4-SPEED MANUAL TRANSMISSION

Transmission Rebuild Kit

1987-1963	New Process 435	
	Kit	TRK127
1986-1978	CH465: 117mm front input shaft	
	Kit	TRK157
1979-1968	SM465	
	Kit	TRK157
1972-1964	New Process 235	
	Kit	TRK127

Input Shaft

1989-1981	New Process	
	Seal	7412S
	Kwik Slv (Opt Rpr)	KWK99125
1989-1978	CH465	
	Seal	481181N
	Bearing	N1211L
	Kwik Slv (Opt Rpr)	KWK99162
1988-1974	T10 Warner: 32-spline shaft	
	Seal	7412S
	Bearing	1307SL
1977-1968	SM465	
	Seal	481181N
	Bearing	N1211L
	Kwik Slv (Opt Rpr)	KWK99162

118 [] Indicates Quantity Required; Set Components Listed Inside Rear Cover;

⁴² Sealed Self-Aligning Bearing ⁶⁴ Opt. Seal and Bushing Kit

CHEVROLET/GMC TRUCK - 3/4 TON - C-20/25, K-20/25, R-20/25, V-20/25, Suburban, Full Size Pickups and SUV's (cont.)

4-SPEED MANUAL TRANSMISSION

(cont.)

Input Shaft (cont.)

1968-1964	New Process 435 (1.120" spline)	
Seal	7412S
Bearing	1308L
Kwik Slv (Opt Rpr)	KWK99125
1968-1964	New Process 435 (1.500" spline)	
Seal	470380
Bearing	1308L
Kwik Slv (Opt Rpr)	KWK99149

Rear Output Shaft

1989-1985	CH465	
Seal	410085
Bearing	308FFL
1989-1981	New Process	
Seal	9613S
Bearing	308LOE
Seal Kit Opt.	5200 ⁶⁴
1984-1980	CH465	
Seal	410085
Bearing	1308L
1979-1978	CH465	
Seal	714654
Bearing	308L
1977-1968	SM465	
Seal	410085
Bearing	1308SL
1972-1964	New Process	
Seal	470898
Bearing	1308SL
1970-1968	Warner	
Seal	9613S
Bearing	307L
Seal Kit Opt.	5200 ⁶⁴
1968-1948	SM420 10 spline	
Seal	471341
Bearing	307L
1968-1948	SM420 32 spline	
Seal	471341
Bearing	1208L

5-SPEED MANUAL TRANSMISSION

Front Input Shaft

1989-1988	Getrag w/ 4x4	
Seal	4529N
Kwik Slv (Opt Rpr)	KWK99133
1989-1988	Getrag 4x2 (MG5)	
Seal	4529N
Kwik Slv (Opt Rpr)	KWK99138

Rear Output Shaft

1989-1988	Getrag	
Seal	4530

A/C COMPRESSOR

1989-1980	
Bearing 907257
Bearing (Frt head) S128

ALTERNATOR

1989-1988	Delco 100, 124, 140, 145 amp
Bearing (rear end) 100CCAB
1989-1983	Delco 56, 66, 78 amp
Bearing (drive end) 203FF
1989-1980	Delco 37, 42, 55, 56, 61, 63, 66, 78 amp
Bearing (rear end) MNJ471S
1986-1980	Delco 37,42,55, 56, 61, 63, 66, 78 amp
Bearing (drive end) 203S

DRIVESHAFT SUPPORT

1989-1955	Spicer 1280, 1310, 1330: 1.3780" bearing ID
Bearing 88107
Hanger Bearing Assy HB88107A
1988-1977	Spicer 1410: 4x4: 1.5748" bearing ID
Hanger Bearing Assy HB108
1984-1972	Cleveland 055: 1.5748" bearing ID, 2.25" height
Hanger Bearing Assy HB88508A
1984-1972	Spicer 1410: 1.5748" bearing ID, 2.25" height
Hanger Bearing Assy HB88508A
1984-1972	Spicer 1810: 2.3622" bearing ID
Hanger Bearing Assy HB88512AHD
1984-1955	Rockwell 58WB axle: 1.7717" bearing ID
Bearing 88509
Hanger Bearing Assy HB88509
1984-1955	Spicer 1410, 1550: 1.5748" bearing ID, 2.5" high
Hanger Bearing Assy HB108
Hanger Bearing Assy HB88508
1984-1955	Spicer 1550, 1650: 1.7717" bearing ID
Bearing 88509
Hanger Bearing Assy HB88509
1974-1955	Spicer 1280, 1310: 1.1811" bearing ID
Bearing 206FF
Hanger Bearing Assy HB206FF

POWER STEERING

Pitman Shaft

1989-1967	
Seal (inner) 471413
Seal (outer) 7412S
Seal Kit PSK1 ²⁴

[] Indicates Quantity Required; Set Components Listed Inside Rear Cover;

²⁴ Opt. Kit incl. seals 5683 & 5684. Not sold separately

⁶⁴ Opt. Seal and Bushing Kit

Bearings and Seals

Mfg./Year Model & Location Part No Mfg./Year Model & Location Part No

CHEVROLET/GMC TRUCK - 3/4 TON - C-20/25, K-20/25, R-20/25, V-20/25, Suburban, Full Size Pickups and SUV's (cont.)

POWER STEERING

Pump Shaft

1989-1967		
Seal		480821
1966-1963	6-cyl	
Seal		8773S
1966-1957	8-cyl	
Seal		480821
1959-1956	6-cyl	
Seal		471526

Worm Shaft

1989-1979		
Seal		222025
1978-1973		
Seal		222025
Needle Bearing		SCE148

MANUAL STEERING

Pitman Shaft

1987-1946		
Seal		313842

Worm Shaft

1987-1960		
Seal		7013S
Bearing		8537

CRANKSHAFT REAR SEAL

6 Cylinder

1989-1986		
Seal Viton		4359V
Seal PTFE H/D Opt.		5274
Kwik Slv (Opt Rpr)		KWK99364
1985-1963		
Seal		5092

8 Cylinder

1989-1972	454/7.4L	
Seal		5072
1989-1968	305/5.0L, 350/5.7L	
Seal Viton		4359V
Seal PTFE H/D Opt.		5274
Kwik Slv (Opt Rpr)		KWK99364
1989-1982	379/6.2L Diesel	
Seal		5163
1985-1955	exc. 454 & diesel engines	
Seal		5092

TIMING COVER

6 Cylinder

1989-1946		
Seal		9845
Kwik Slv (Opt Rpr)		KWK99176
Harmonic Balancer		
Sleeves Opt.		88176

8 Cylinder

1989-1973	454 & diesel engines	
Seal		3945
Kwik Slv (Opt Rpr)		KWK99233
1989-1955	exc. 454 & diesel engines	
Seal		9845
Kwik Slv (Opt Rpr)		KWK99176

CHEVROLET/GMC TRUCK - 3/4 TON - G20/G25, P20/P25 - Full Size Vans

FRONT WHEEL

1989-1983	H.D. brakes (JD5)	
Seal (inner)		8974S[2]
Set (inner)		SET45
Cone/Cup (outer)		1779-1729[2]
1989-1979	L/D brakes; JB5	
Seal (inner)		8871[2]
Set (inner)		SET5
Set (outer)		SET3
1978-1971	110" wheel base	
Seal (inner)		8871[2]
Set (inner)		SET6
Set (outer)		SET2

FRONT WHEEL (cont.)

1972-1971	exc. 110: wheel base	
Seal (inner)		8974S[2]
Cone/Cup (inner)		2777-2720[2]
Set (outer)		SET3
1972-1967	drum brakes	
Seal (inner)		9015S[2]
Set (inner)		SET6
Set (outer)		SET2

REAR WHEEL

1989-1981	9.5" ring gear	
Seal		710105[2]
Cyl. Bearing		R1561TV[2]
Kit		TGM1561R[2] ¹⁹

120 [] Indicates Quantity Required; Set Components Listed Inside Rear Cover;

¹⁹ Opt. Axle Repair Bearing. Replaces O.E. bearing & seal.

CHEVROLET/GMC TRUCK - 3/4 TON - G20/G25, P20/P25 - Full Size Vans
(cont.)

REAR WHEEL (cont.)

1989-1975	10.5" ring gear	
	Seal (inner)	2081[2]
	Cone/Cup (inner)	387AS-382A[2]
	Set (outer)	SET38
1989-1971	8.5" ring gear	
	Seal	8835S[2]
	Cyl. Bearing	6408[2]
	Kit	TRP1559TV[2] ¹⁹
1970-1967	HO31 & HO35 axles	
	Seal (inner)	2081[2]
	Cone/Cup (inner)	388A-382[2]
	Cone/Cup (outer)	368S-362[2]

REAR AXLE

Differential Rebuild Kit

1989-1988	10.5" ring gear: 2nd design	
	Kit	DRK325A
1989-1981	9.5" ring gear	
	Kit	DRK324
1989-1976	8.5" ring gear	
	Kit	DRK321
1988-1973	10.5" ring gear: 1st design: production thru early 1988	
	Kit	DRK325
1981-1973	8.75" ring gear	
	Kit	DRK323
1981-1967	8.875" ring gear: H031, H035 axles	
	Kit	DRK322
1972-1967	Dana/Spicer 60-1, 60-3, 60-35 axles	
	Kit	DRK331

Differential

1989-1973	10.5" ring gear	
	Cone/Cup	387AS-382A[2]
1989-1976	8.125", 8.5" ring gears	
	Cone/Cup	LM501349-LM501314[2]
1981-1967	8.75", 8.875" ring gears: H031, H035 axles	
	Set	SET36[2]
1972-1968	Dana/Spicer 60-1, 60-3, 60-35 axles	
	Cone/Cup	387A-382S[2]
1972-1967	H052, H072 axles	
	Cone/Cup	388A-382[2]
1967	Dana/Spicer 60-35 axle	
	Cone/Cup	387A-382S[2]

Pinion

1989	10.5" ring gear	
	Cone/Cup (inner)	HM903249-HM903210
	Seal (outer)	2286
	Cone/Cup (outer)	M802048-M802011
	Cyl. Bearing (pilot)	R1581TV

REAR AXLE (cont.)

Pinion (cont.)

1989-1981	9.5" ring gear	
	Cone/Cup (inner)	HM804846-HM804810
	Seal (outer)	3896
	Cone/Cup (outer)	HM88649-HM88610
1989-1973	8.5", 8.75 ring gears	
	Cone/Cup (inner)	M802048-M802011
	Seal (outer)	2043
	Cone/Cup (outer)	M88048-M88010
	Cone/Cup (outer) Opt.	M88048A-M88010
1988	10.5" ring gear: 1st design	
	Cone/Cup (inner)	HM803149-HM803110
	Seal (outer)	2286
	Cone/Cup (outer)	M802048-M802011
	Cyl. Bearing (pilot)	R1581TV
1988	10.5" ring gear: 2nd design	
	Cone/Cup (inner)	HM903249-HM903210
	Seal (outer)	2286
	Cone/Cup (outer)	M802048-M802011
	Cyl. Bearing (pilot)	R1581TV
1987-1986	10.5" ring gear	
	Cone/Cup (inner)	HM803149-HM803110
	Seal (outer)	2286
	Cone/Cup (outer)	M802048-M802011
	Cyl. Bearing (pilot)	R1581TV
1985-1984	10.5" ring gear	
	Cone/Cup (inner)	HM803149-HM803110
	Seal (outer)	2286
	Cone/Cup (outer)	M802048-M802011
	Needle Bearing (pilot)	512224
1983-1973	10.5" ring gear	
	Cone/Cup (inner)	HM803149-HM803110
	Seal (outer)	2286
	Cone/Cup (outer)	M802048-M802011
	Cyl. Bearing (pilot)	R1581TV
1981-1964	8.875" ring gear: H031, H035 axles	
	Cone/Cup (inner)	HM89449-HM89410
	Seal (outer)	8460N
	Cone/Cup (outer)	M88048-M88010
1972-1968	H052 axle	
	Seal (outer)	411330N
	Bearing Assy (outer)	55197-90030
	Cyl. Bearing (pilot)	M5205EL
1972-1968	H072 axle	
	Seal (outer)	411330N
	Bearing Assy (outer)	55197-90030
	Cyl. Bearing (pilot)	M5205EL
1972-1968	Dana/Spicer 60-1, 60-3 axles	
	Cone/Cup (inner)	HM803146-HM803110
	Seal (outer)	9316
	Cone/Cup (outer)	HM88542-HM88510
1972-1967	Dana/Spicer 60-35 coil spring axle	
	Cone/Cup (inner)	HM803146-HM803110
	Seal (outer)	9316
	Cone/Cup (outer)	HM88542-HM88510

[] Indicates Quantity Required; Set Components Listed Inside Rear Cover;
¹⁹ Opt. Axle Repair Bearing. Replaces O.E. bearing & seal.

Bearings and Seals

Mfg./Year Model & Location Part No Mfg./Year Model & Location Part No

CHEVROLET/GMC TRUCK - 3/4 TON - G20/G25, P20/P25 - Full Size Vans (cont.)

REAR AXLE (cont.)

Pinion (cont.)

1972-1967	Dana/Spicer 60-35 leaf spring axle	
	Cone/Cup (inner)	HM803146-HM803110
	Seal (outer)	6808N
	Cone/Cup (outer)	HM88542-HM88510
1967	H052 axle	
	Seal (outer)	411330N
	Bearing (outer)	5310WA
	Cyl. Bearing (pilot)	M5202EL
1967	H072 axle	
	Seal (outer)	411330N
	Bearing (outer)	5310WA
	Cyl. Bearing (pilot)	M5202EL

3-SPEED AUTOMATIC TRANSMISSION

Torque Converter

1989-1983	THM700, 4L60-E	
	Seal	3227
	Kwik Slv (Opt Rpr)	KWK99174
1989-1967	exc. THM700	
	Seal	6712NA
	Kwik Slv (Opt Rpr)	KWK99187

Rear Seal/Ext. Housing

1989-1967	exc. 4L80E, THM400, THM475	
	Seal	9613S
	Kwik Slv (Opt Rpr)	KWK99149
	Seal Kit Opt.	5200 ⁶⁴
1979-1967	exc. THM400	
	Seal	9613S
	Seal Kit Opt.	5200 ⁶⁴
1979-1967	THM400: 1.890" shaft	
	Seal	9449
	Seal Kit Opt.	5208 ⁶⁴
1977-1967	THM400: 1.687" shaft	
	Seal	7038SA
	Seal Kit Opt.	5205 ⁶⁴

Selector Shaft Seal/Man. Shaft

1989-1967		
	Seal	8792S

4-SPEED AUTOMATIC TRANSMISSION

Torque Converter

1989-1982	THM700, 4L60-E	
	Seal	3227
	Kwik Slv (Opt Rpr)	KWK99174

4-SPEED AUTOMATIC TRANSMISSION

Rear Seal/Ext. Housing

1989-1983	HM4L60	
	Seal	9613S
	Kwik Slv (Opt Rpr)	KWK99149
	Seal Kit Opt.	5200 ⁶⁴

Selector Shaft Seal/Man. Shaft

1989-1982		
	Seal	8792S
	Kwik Slv (Opt Rpr)	KWK99050

CLUTCH

Pilot Bearing

1989-1982	diesel, turbodiesel engines	
	Bearing	57080
1989-1982	gas engine	
	Bushing H/D	PB656HD
1981-1967		
	Bushing H/D	PB656HD

Release Bearing

1989-1984	with hydraulic mechanism	
	Bearing Assy	614174
1989-1984	with cable-actuated mechanism	
	Bearing Assy	614018 ⁴²
1983-1973	exc. 250 (4.1) engine with 1.875" ID diaphragm	
	Bearing Assy	614018 ⁴²
1983-1973	250 (4.1) engine with 1.875" ID diaphragm clutch	
	Bearing Assy	614037 ⁴²
1972-1967	exc. 194 (3.2), 250 (4.1) engines	
	Bearing Assy	614018 ⁴²
1972-1967	194 (3.2), 250 (4.1) engines	
	Bearing Assy	614037 ⁴²

3-SPEED MANUAL TRANSMISSION

Transmission Rebuild Kit

1987-1967	Saginaw	
	Kit	TRK301

Front Input Shaft

1987-1967	Saginaw	
	Seal	7412S
	Bearing	207SLB
	Kwik Slv (Opt Rpr)	KWK99125
1982-1976	Tremac	
	Seal	482208
	Bearing	1208L
	Kwik Slv (Opt Rpr)	KWK99112
1976-1968	Muncie	
	Seal	7412S
	Bearing	307L
	Kwik Slv (Opt Rpr)	KWK99125

CHEVROLET/GMC TRUCK - 3/4 TON - G20/G25, P20/P25 - Full Size Vans
(cont.)

3-SPEED MANUAL TRANSMISSION

Rear Output Shaft

1987-1967	Saginaw	
Seal	9613S
Bearing	306SLVB
Kwik Slv (Opt Rpr)	KWK99149
Seal Kit Opt.	5200 ⁶⁴
1982-1976	160T Dearborn Tremec: 77mm shaft	
Seal	9613S
Bearing	207SLB
Kwik Slv (Opt Rpr)	KWK99149
Seal Kit Opt.	5200 ⁶⁴
1978-1976	Muncie HD	
Seal	9613S
Bearing	1208L
Kwik Slv (Opt Rpr)	KWK99149
Seal Kit Opt.	5200 ⁶⁴
1976	Muncie exc. HD	
Seal	9613S
Bearing	307TB
Kwik Slv (Opt Rpr)	KWK99149
Seal Kit Opt.	5200 ⁶⁴
1975-1967	Muncie	
Seal	9613S
Bearing	307TB
Kwik Slv (Opt Rpr)	KWK99149
Seal Kit Opt.	5200 ⁶⁴
1966-1967	Muncie HD	
Seal	471341
Bearing	1306SLVB
Kwik Slv (Opt Rpr)	KWK99225

Selector Shaft Seal/Man. Shaft

1987-1967	
Seal 312518
Kwik Slv (Opt Rpr) KWK99076

4-SPEED MANUAL TRANSMISSION

Transmission Rebuild Kit

1987-1967	New Process 435	
Kit	TRK127
1986-1978	CH465: 117mm front input shaft	
Kit	TRK157
1979-1968	SM465	
Kit	TRK157

Input Shaft

1989-1983	New Process (MY6)	
Seal	7412S
Kwik Slv (Opt Rpr)	KWK99125
1989-1985	Muncie	
Seal	9613S
Bearing	308L
Kwik Slv (Opt Rpr)	KWK99149
Seal Kit Opt.	5200 ⁶⁴

4-SPEED MANUAL TRANSMISSION

(cont.)

Input Shaft (cont.)

1970-1967	Warner	
Seal	9613S
Bearing	307L
Kwik Slv (Opt Rpr)	KWK99149
Seal Kit Opt.	5200 ⁶⁴

Rear Output Shaft

1989-1983	New Process	
Seal	9613S
Bearing	308LOE
Kwik Slv (Opt Rpr)	KWK99149
Seal Kit Opt.	5200 ⁶⁴
1989-1985	Muncie	
Seal	9613S
Bearing	308L
Kwik Slv (Opt Rpr)	KWK99149
Seal Kit Opt.	5200 ⁶⁴
1970-1967	Warner	
Seal	9613S
Bearing	307L
Kwik Slv (Opt Rpr)	KWK99149
Seal Kit Opt.	5200 ⁶⁴

A/C COMPRESSOR

1989-1980	
Bearing 907257
Bearing (Frt head) S128

ALTERNATOR

1989-1988	Delco 100, 124, 140, 145 amp	
Bearing (rear end)	100CCAB
1989-1983	Delco 56, 66, 78 amp	
Bearing (drive end)	203FF
1989-1980	Delco 37, 42, 55, 56, 61, 63, 66, 78 amp	
Bearing (rear end)	MNJ471S
1986-1980	Delco 37,42,55, 56, 61, 63, 66, 78 amp	
Bearing (drive end)	203S

DRIVESHAFT SUPPORT

1989-1967	1.378" (35mm) bearing ID	
Bearing	88107
Hanger Bearing Assy	HB88107A
1989-1980	1.575" (40mm) bearing ID	
Hanger Bearing Assy	HB108

POWER STEERING

Pitman Shaft

1989-1972	
Seal Kit PSK1 ²⁴
Seal (inner) 471413
Seal (outer) 7412S

[] Indicates Quantity Required; Set Components Listed Inside Rear Cover;

²⁴ Opt. Kit incl. seals 5683 & 5684. Not sold separately

⁶⁴ Opt. Seal and Bushing Kit

Bearings and Seals

Mfg./Year Model & Location Part No Mfg./Year Model & Location Part No

CHEVROLET/GMC TRUCK - 3/4 TON - G20/G25, P20/P25 - Full Size Vans (cont.)

POWER STEERING

Pump Shaft

1989-1972	
Seal	7013S
Bearing	8537

Worm Shaft

1989-1979	exc. P series	
Seal		222025
1989-1973	P series	
Seal		351267
Needle Bearing		SCE148
1978-1971		
Seal		222025
Needle Bearing		SCE148

MANUAL STEERING

Pitman Shaft

1989-1967	
Seal	313842

Worm Shaft

1989-1967	
Seal	7013S
Bearing	8537

CRANKSHAFT REAR SEAL

6 Cylinder

1989-1985	
Seal Viton	4359V
Seal PTFE H/D Opt.	5274
Kwik Slv (Opt Rpr)	KWK99364
1985-1967	
Seal	5092

CRANKSHAFT REAR SEAL

8 Cylinder

1989-1986	exc. 454 & diesel engines	
Seal Viton		4359V
Seal PTFE H/D Opt.		5274
Kwik Slv (Opt Rpr)		KWK99364
1989-1983	diesel	
Seal		5163
1985-1967	exc. 454 & diesel engines	
Seal		5092

TIMING COVER

6 Cylinder

1989-1967		
Seal		9845
Kwik Slv (Opt Rpr)		KWK99176
Harmonic Balancer		
Sleeves Opt.		88176

8 Cylinder

1989-1983	454 & diesel engines	
Seal		3945
Kwik Slv (Opt Rpr)		KWK99233
Harmonic Balancer		
Sleeves Opt.		88233
1989-1967	exc. 454 & diesel engines	
Seal		9845
Kwik Slv (Opt Rpr)		KWK99176
Harmonic Balancer		
Sleeves Opt.		88176

CHEVROLET/GMC TRUCK - 1 TON - C-30/35, K-30/35, R-30/35, V-30/35

FRONT WHEEL

2WD

1989-1979	
Seal (inner)	8974S[2]
Set (inner)	SET45
Cone/Cup (outer)	15103S-15243[2]
1989-1970	disc brakes
Seal (inner)	8974S[2]
Set (inner)	SET45
Cone/Cup (outer)	15103S-15243[2]
1970-1963	drum brakes
Seal (inner)	8974S[2]
Cone/Cup (inner)	2777-2720[2]
Set (outer)	SET3
1962-1960	
Seal (inner)	40973S[2]
Bearing (inner)	B44[2]
Bearing (outer)	B47

FRONT WHEEL (cont.)

2WD (cont.)

1959-1953	
Seal (inner)	40973S[2]
Bearing (inner)	B46[2]
Bearing (outer)	B45
1952-1946	
Seal (inner)	40973S[2]
Bearing (inner)	B26[2]
Bearing (outer)	B25

4WD

1989-1988	single rear wheel (w/o ABS)	
Hub Assy		HA591339[2]
1989-1988	dual rear wheels (w/o ABS)	
Hub Assy		HA599138[2]

CHEVROLET/GMC TRUCK - 1 TON - C-30/35, K-30/35, R-30/35, V-30/35
(cont.)

FRONT WHEEL (cont.)

4WD (cont.)

1987-1980	
Seal (inner)	415960[2]
Cone/Cup (inner)	387AS-382A[2]
Set (outer)	SET38
1979-1978	
Seal (inner)	415960[2]
Cone/Cup (inner)	387A-382A[2]
Set (outer)	SET38
1977-1971	
Seal (inner)	416273[2]
Cone/Cup (inner)	368A-362A[2]
Set (outer)	SET45
1970-1968	
Cone/Cup (inner)	368-362A[2]
Set (outer)	SET45

REAR WHEEL

1989-1973 10.5" ring gear	
Seal (inner)	2081[2]
Cone/Cup (inner)	387AS-382A[2]
Set (outer)	SET38
1989-1988 9.5" ring gear	
Seal	2081[2]
Cyl. Bearing	R1561TV[2]
Kit	TGM1561R[2] ¹⁹
1972-1967 11000 lb. axle	
Seal (inner)	6358[2]
Cone/Cup (inner)	395CS-394CS[2]
Cone/Cup (outer)	395CS-394CS[2]
1972-1946 exc. 11000 lb. axle	
Seal (inner)	2081[2]
Cone/Cup (inner)	388A-382[2]
Cone/Cup (outer)	368S-362[2]

FRONT AXLE

Differential Rebuild Kit

1989-1988 9.25" ring gear	
Kit	DRK324A
1987-1977 Dana/Spicer 60-F axle	
Kit	DRK331

Differential

1989-1988 9.25" ring gear	
Seal	450094[2]
Set	SET42[2]
1989-1977 Dana/Spicer 60-F axle	
Cone/Cup	387A-382S[2]

Pinion

1989-1988	
Cone/Cup (inner)	HM804846-HM804810
Seal (outer)	710281
Cone/Cup (outer)	HM88649-HM88610

FRONT AXLE (cont.)

Pinion (cont.)

1989-1977 Dana/Spicer 60-F axle	
Cone/Cup (inner)	HM803146-HM803110
Seal (outer)	9316
Cone/Cup (outer)	HM88542-HM88510

Spindle Kit

1989-1977 Dana/Spicer 60-F axle	
Bearing & Seal Kit	SBK3 ³⁵

Spindle

1989-1977 Dana/Spicer 60-F axle	
Seal (inner)	710044
Needle Bearing (inner)	B2414
Seal (outer)	710045

Steering Knuckle

1989-1977 Dana/Spicer 60-F axle	
Seal (upper)	710304[2]
Cone/Cup (upper)	23100-23256[2]
Seal (lower)	710304[2]
Cone/Cup (lower)	23100-23256[2]
1959-1958 FH065 axle	
Cone/Cup (upper)	41125-41286[2]
Cone/Cup (lower)	41125-41286[2]

REAR AXLE

Differential Rebuild Kit

1989-1988 10.5" ring gear: 2nd design: production from mid 1988 on	
Kit	DRK325A
1989-1983 9.5" ring gear	
Kit	DRK324
1989-1973 Dana/Spicer 70-HD axle	
Kit	DRK332HD
1989-1973 Dana/Spicer 60HD axle	
Kit	DRK331
1989-1984 Dana/Spicer 70U axle	
Kit	DRK332U
1988-1972 10.5" ring gear: 1st design: production thru early 1988	
Kit	DRK325
1983-1973 Dana/Spicer 70 axle	
Kit	DRK332

Differential

1989-1985 9.5" ring gear	
Set	SET42
1989-1980 Dana/Spicer 80 axle	
Cone/Cup	469-453X[2]
1989-1972 10.5" ring gear	
Cone/Cup	387AS-382A[2]
1989-1973 Dana/Spicer 70HD, 70-3HD axles	
Cone/Cup	469-453X[2]
1989-1987 Isuzu R040 axle	
Cone/Cup	29590-29522[2]

[] Indicates Quantity Required; Set Components Listed Inside Rear Cover;

¹⁹ Opt. Axle Repair Bearing. Replaces O.E. bearing & seal. & 710045

³⁵ Opt. Kit incl: Bearing B2414; Seals 710044

Bearings and Seals

Mfg./Year Model & Location Part No Mfg./Year Model & Location Part No

CHEVROLET/GMC TRUCK - 1 TON - C-30/35, K-30/35, R-30/35, V-30/35 (cont.)

REAR AXLE (cont.)

Differential (cont.)

1989-1982	Rockwell C100 axle	
Cone/Cup	395-394A[2]
1989-1973	Dana/Spicer 60HD, 70B, 70U axles	
Cone/Cup	387A-382S[2]
1981-1965	H110 axle	
Cone/Cup	28990-28919[2]
1972-1956	H052 axle	
Cone/Cup	388A-382[2]
1972-1956	H072 axle	
Cone/Cup	388A-382[2]
1954-1946	H072 axle	
Cone/Cup	388A-382[2]

Pinion

1989-1988	10.5" ring gear: 2nd design: production from 1988 on	
Cone/Cup (inner)	HM903249-HM903210
Seal (outer)	2286
Cone/Cup (outer)	M802048-M802011
Cyl. Bearing (pilot)	R1581TV
1989-1987	Isuzu R040 axle	
Bearing Assy (inner)	30309M
Seal (outer)	710268
Bearing Assy (outer)	30309M
1989-1981	9.5" ring gear	
Cone/Cup (inner)	HM804846-HM804810
Seal (outer)	3896
Cone/Cup (outer)	HM88649-HM88610
1989	Dana/Spicer 80 axle	
Cone/Cup (inner)	HM807046-HM807010
Seal Viton (outer)	4525V
Cone/Cup (outer)	M802048-M802011
1989-1973	Dana/Spicer 70B, 70HD, 70-3HD axles	
Cone/Cup (inner)	HM807040-HM807010
Seal (outer)	9316
Cone/Cup (outer)	HM88542-HM88510
1989-1980	Dana/Spicer 70U axle	
Cone/Cup (inner)	HM803149-HM803110
Seal (outer)	9316
Cone/Cup (outer)	HM88542-HM88510
1989-1982	Rockwell C100 axle	
Cone/Cup (inner)	M903345-M903310
Seal (outer)	475080N
Cone/Cup (outer)	44143-44348
1989-1973	Dana/Spicer 60HD axle	
Cone/Cup (inner)	HM803146-HM803110
Seal (outer)	9316
Cone/Cup (outer)	HM88542-HM88510
1988-1972	10.5" ring gear: 1st design: production thru early 1988	
Cone/Cup (inner)	HM803149-HM803110
Seal (outer)	2286
Cone/Cup (outer)	M802048-M802011
Cyl. Bearing (pilot)	R1581TV

REAR AXLE (cont.)

Pinion (cont.)

1987-1982	H110 axle: 11000 lb.	
Cone/Cup (inner)	M903345-M903310
Cone/Cup (outer)	44143-44348
1981-1965	H110 axle	
Seal (outer)	411330N
Bearing (outer)	5310WA
Cyl. Bearing (pilot)	MU1306TDM
1972-1968	H052 axle	
Seal (outer)	411330N
Bearing Assy (outer)	55197-90030
Cyl. Bearing (pilot)	M5205EL
1972-1968	H072 axle	
Seal (outer)	411330N
Bearing Assy (outer)	55197-90030
Cyl. Bearing (pilot)	M5205EL
1967-1961	H052 axle	
Seal (outer)	411330N
Bearing (outer)	5310WA
Cyl. Bearing (pilot)	M5205EL
1967-1961	H072 axle	
Seal (outer)	411330N
Bearing (outer)	5310WA
Cyl. Bearing (pilot)	M5205EL
1960-1956	H052 axle	
Seal (outer)	411330N
Bearing Assy (outer)	55197-90030
Cyl. Bearing (pilot)	MUB5205UM
1960-1946	H072 axle	
Seal (outer)	411330N
Bearing Assy (outer)	55197-90030
Cyl. Bearing (pilot)	MUB5205UM

TRANSFER CASE REBUILD KIT

1989	Warner 1370	
Kit	TCRK1356
1989	Warner 4401	
Kit	TCRK4470
1989-1970	New Process 205 (THM350)(early SM465)	
Kit	TCRK205G
1989-1970	New Process 205 (T400)(late SM465)	
Kit	TCRK205GDMD
1989-1988	New Process 241C	
Kit	TCRK241
1979-1977	New Process 203	
Kit	TCRK203G

TRANSFER CASE

Input Shaft

1989	Warner 1370, 4401, 4470	
Seal	714503
Bearing	110CB
Needle Bearing (pilot)	BK3026

CHEVROLET/GMC TRUCK - 1 TON - C-30/35, K-30/35, R-30/35, V-30/35
(cont.)

TRANSFER CASE (cont.)

Input Shaft (cont.)

1989-1980	New Process 205 (T400)(late SM465)	
Seal	3173[2]
Bearing	1210L[2]
Kwik Slv (Opt Rpr)	KWK99193[2]
Seal Dual Lip Opt.	710298[2]
Needle Bearing (pilot)	QAR29523[15]
1989-1988	New Process 241	
Seal	3173[2]
Bearing	N5210KLB[2]
Seal Dual Lip Opt.	710298
Kwik Slv (Opt Rpr)	KWK99193
Needle Bearing (pilot)	SCH1810
1985-1980	New Process 205 (THM350)(early SM465)	
Seal	3173[2]
Bearing	1307L[2]
Kwik Slv (Opt Rpr)	KWK99193[2]
Needle Bearing (pilot)	QAR29523[15]
1979-1977	New Process 205	
Seal	471869[2]
Bearing	1307L[2]
Kwik Slv (Opt Rpr)	KWK99193[2]
1979-1977	New Process 203	
Seal	3173[2]
Bearing	1210L[2]
Kwik Slv (Opt Rpr)	KWK99193[2]

Front Output Shaft

1989	Warner 1370, 4401, 4470	
Seal	714503
Bearing	207
Needle Bearing (pilot)	B2012
1989-1977	New Process 205	
Seal	710005
Bearing	307L
Kwik Slv (Opt Rpr)	KWK99174
Needle Bearing (pilot)	M28161
1989-1988	New Process 241	
Seal	3946
Bearing	207
Kwik Slv (Opt Rpr)	KWK99187
Needle Bearing (pilot)	J2416
1979-1977	New Process 203	
Seal	710005
Bearing	307L
Kwik Slv (Opt Rpr)	KWK99174
Needle Bearing (pilot)	M28161

Rear Output Shaft

1989	Warner 1370, 4401	
Seal (non-booted)	714503
Bearing	207
1989	Warner 1370, 4401	
Seal (booted)	4503N
Bearing	207

TRANSFER CASE (cont.)

Rear Output Shaft (cont.)

1989-1977	New Process 205	
Seal	473468
Bearing	307L
Kwik Slv (Opt Rpr)	KWK99212
Needle Bearing (pilot)	B3216
1979-1977	New Process 203	
Seal	473204
Bearing	307L
Kwik Slv (Opt Rpr)	KWK99212
Needle Bearing (pilot)	QAR29523[15]

Idler Shaft

1989-1977	New Process 205	
Cone/Cup	2793-2720[2]
1979-1977	New Process 203	
Needle Bearing	QAR29523[72]

Oil Pump Housing

1989-1988	New Process 241	
Seal	341022
Kwik Slv (Opt Rpr)	KWK99225

Selector Shaft Seal/Man. Shaft

1989	Warner 1370, 4401, 4470	
Seal	330385
1989-1977	New Process 205	
Seal	2287
Kwik Slv (Opt Rpr)	KWK99076

AUTOMATIC TRANSMISSION

Torque Converter

1973-1960	Powerglide	
Seal	6712NA
Kwik Slv (Opt Rpr)	KWK99187
1967-1954	Hydramatic	
Seal	450725N ²⁰

Rear Seal/Ext. Housing

1973-1960	Powerglide	
Seal	9613S
Cone	43206
Seal Kit Opt.	5200 ⁶⁴
1967-1954	Hydramatic: 1.5" shaft	
Seal	7038SA
Seal Kit Opt.	5200 ⁶⁴
1967-1954	Hydramatic: 1.687" shaft	
Seal	9613S
Seal Kit Opt.	5205 ⁶⁴

3-SPEED AUTOMATIC TRANSMISSION

Torque Converter

1989-1960		
Seal	6712NA
Kwik Slv (Opt Rpr)	KWK99187

[] Indicates Quantity Required; Set Components Listed Inside Rear Cover;

²⁰ Not currently in production; check for availability ⁶⁴ Opt. Seal and Bushing Kit

Bearings and Seals

Mfg./Year Model & Location Part No Mfg./Year Model & Location Part No

CHEVROLET/GMC TRUCK - 1 TON - C-30/35, K-30/35, R-30/35, V-30/35 (cont.)

3-SPEED AUTOMATIC TRANSMISSION

Rear Seal/Ext. Housing

1987-1969	THM350	
Seal	9613S
Kwik Slv (Opt Rpr)	KWK99149
Seal Kit Opt.	5200 ⁶⁴
1979-1964	THM400: 1.890" shaft	
Seal	9449
Kwik Slv (Opt Rpr)	KWK99189
Seal Kit Opt.	5208 ⁶⁴
1977-1964	THM400: 1.687" shaft	
Seal	7038SA
Kwik Slv (Opt Rpr)	KWK99168
Seal Kit Opt.	5205 ⁶⁴
1971-1967	Pow-R-Flo	
Seal	9613S
Kwik Slv (Opt Rpr)	KWK99149
Seal Kit Opt.	5200 ⁶⁴

Selector Shaft Seal/Man. Shaft

1989-1964		
Seal	8792S

4-SPEED AUTOMATIC TRANSMISSION

Torque Converter

1989-1982	THM700, 4L60-E	
Seal	3227
Kwik Slv (Opt Rpr)	KWK99174

Rear Seal/Ext. Housing

1989-1982	THM700, 4L60-E	
Seal	9613S
Kwik Slv (Opt Rpr)	KWK99149
Seal Kit Opt.	5200 ⁶⁴

Selector Shaft Seal/Man. Shaft

1989-1982		
Seal	8792S

CLUTCH

Pilot Bearing

1989-1987		
Bearing	57080
1986-1982	diesel	
Bearing	57080
1986-1946	exc. diesel	
Bushing H/D	PB656HD

CLUTCH - 6 CYLINDER

Release Bearing

1988-1985	292/4.8L exc. cable clutch	
Bearing Assy	614109
1988-1985	292/4.8L cable clutch	
Bearing Assy	614018 ⁴²
1984-1969	292/4.8L	
Bearing Assy	614018 ⁴²

CLUTCH - 6 CYLINDER (cont.)

Release Bearing (cont.)

1980-1975	250/4.1L	
Bearing Assy	614018 ⁴²
1974-1972	250/4.1L flat diaphragm	
Bearing Assy	614037 ⁴²
1974-1972	250/4.1L cone diaph.	
Bearing Assy	614018 ⁴²
1971-1969	250/4.1L	
Bearing Assy	614037 ⁴²
1968-1963		
Bearing Assy	614037 ⁴²
1962-1952	3-finger clutch	
Bearing Assy	614018 ⁴²
1962-1952	flat diaphragm	
Bearing Assy	614037 ⁴²
1952-1946	216/3.5L	
Bearing Assy	614037 ⁴²
1950	235/3.9L 3 lever	
Bearing Assy	614018 ⁴²
1950	235/3.9L flat diaphragm	
Bearing Assy	614037 ⁴²

CLUTCH - 8 CYLINDER

Release Bearing

1989-1985	exc. cable clutch	
Bearing Assy	614109
1989-1985	454 & diesel engines; cable clutch	
Bearing Assy	614018 ⁴²
1984-1967		
Bearing Assy	614018 ⁴²
1967-1958	283/4.6L 3 lever design	
Bearing Assy	614018 ⁴²
1967-1958	283/4.6L flat diaphragm	
Bearing Assy	614037 ⁴²
1957-1956	265/4.3L	
Bearing Assy	614037 ⁴²

3-SPEED MANUAL TRANSMISSION

Transmission Rebuild Kit

1987-1966	SM326 Saginaw: 76mm shaft	
Kit	TRK301

Front Input Shaft

1987-1966	Saginaw	
Seal	7412S
Bearing	207SLB
Kwik Slv (Opt Rpr)	KWK99125
1982-1976	Tremac	
Seal	482208
Bearing	208LO
Kwik Slv (Opt Rpr)	KWK99112
1972-1969	Muncie	
Seal	7412S
Bearing	307L

CHEVROLET/GMC TRUCK - 1 TON - C-30/35, K-30/35, R-30/35, V-30/35
(cont.)

3-SPEED MANUAL TRANSMISSION

(cont.)

Front Input Shaft (cont.)

1968-1965	Warner	
Seal	7412S
Bearing	307L
Kwik Slv (Opt Rpr)	KWK99125
1965-1961	SM318, SM319: with overdrive	
Seal	7412S
Bearing	1207SLB
1965-1961	SM318, SM319: exc. overdrive	
Seal	7412S
Bearing	207SLB
1960	SM318: with overdrive	
Bearing	1207SLB
1960-1942	SM318, SM319: exc. overdrive	
Bearing	207SLB

Rear Output Shaft

1987-1966	Saginaw	
Seal	9613S
Bearing	306SLVB
Seal Kit Opt.	5200 ⁶⁴
1982-1976	Tremac	
Seal	9613S
Bearing	207L
Seal Kit Opt.	5200 ⁶⁴
1976-1969	Muncie	
Seal	9613S
Bearing	307L
Seal Kit Opt.	5200 ⁶⁴
1968	Warner	
Seal	9613S
Bearing	1307L
Seal Kit Opt.	5200 ⁶⁴
1968-1955	SM318, SM319	
Seal	9613S
Bearing	306LO
Seal Kit Opt.	5208 ⁶⁴
1966-1958	Warner	
Seal	471341N
Bearing	1307
1956-1942	SM318	
Bearing	305L

Selector Shaft Seal/Man. Shaft

1987-1966		
Seal	240735
Kwik Slv (Opt Rpr)	KWK99076
1966-1958	Warner	
Seal	340797
Kwik Slv (Opt Rpr)	KWK99059

4-SPEED MANUAL TRANSMISSION

Input Shaft

1989-1978	Muncie (M20)(CH465); 1st design	
Seal	481181N
Bearing	N1211L
Kwik Slv (Opt Rpr)	KWK99162
1977-1968	SM465	
Seal	481181N
Bearing	N1211L
Kwik Slv (Opt Rpr)	KWK99162
1968-1964	New Process 435 (1.120" spline)	
Seal	7412S
Bearing	1308L
Kwik Slv (Opt Rpr)	KWK99125
1968-1964	New Process 435 (1.500" spline)	
Seal	470380
Bearing	1308L
Kwik Slv (Opt Rpr)	KWK99149
1967-1948	SM420	
Seal	7412S
Bearing	1209L
Kwik Slv (Opt Rpr)	KWK99125

Rear Output Shaft

1989-1980	Muncie (M20)(CH465)	
Seal	410085
Bearing	1308SL
1979-1978	Muncie (M20)(CH465)	
Seal	714654
Bearing	1308SL
1977-1968	SM465	
Seal	410085
Bearing	1308SL
1972-1964	New Process 435	
Seal	470898
Bearing	1308SL
1968-1948	SM420 10 spline	
Seal	471341
Bearing	307L
1968-1948	SM420 32 spline	
Seal	471341
Bearing	1208L

Selector Shaft Seal/Man. Shaft

1972-1964	New Process 435	
Seal	350679

DRIVESHAFT SUPPORT

1989-1955	Spicer 1280, 1310, 1330: 1.3780" bearing ID	
Bearing	88107
Hanger Bearing Assy	HB88107A
1988-1977	Spicer 1410: 4x4: 1.5748" bearing ID	
Hanger Bearing Assy	HB108
1984-1972	Cleveland 055: 1.5748" bearing ID, 2.25" height	
Hanger Bearing Assy	HB88508A

[] Indicates Quantity Required; Set Components Listed Inside Rear Cover;
⁶⁴ Opt. Seal and Bushing Kit

Bearings and Seals

Mfg./Year Model & Location Part No Mfg./Year Model & Location Part No

CHEVROLET/GMC TRUCK - 1 TON - C-30/35, K-30/35, R-30/35, V-30/35 (cont.)

DRIVESHAFT SUPPORT (cont.)

1984-1972	Spicer 1410: 1.5748" bearing ID, 2.25" height	
	Hanger Bearing Assy	HB88508A
1984-1972	Spicer 1810: 2.3622" bearing ID	
	Hanger Bearing Assy	HB88512AHD
1984-1955	Rockwell 58WB axle: 1.7717" bearing ID	
	Bearing	88509
	Hanger Bearing Assy	HB88509
1984-1955	Spicer 1410, 1550: 1.5748" bearing ID, 2.5" high	
	Hanger Bearing Assy	HB108
	Hanger Bearing Assy	HB88508
1984-1955	Spicer 1550, 1650: 1.7717" bearing ID	
	Bearing	88509
	Hanger Bearing Assy	HB88509
1974-1955	Spicer 1280, 1310: 1.1811" bearing ID	
	Bearing	206FF
	Hanger Bearing Assy	HB206FF

POWER STEERING

Pitman Shaft

1989-1988	exc. C/K series	
	Seal (inner)	471413
	Seal (outer)	7412S
	Seal Kit	PSK1 ²⁴
1987-1956		
	Seal (inner)	471413
	Seal (outer)	7412S
	Seal Kit	PSK1 ²⁴

Pump Shaft

1989-1967		
	Seal	480821
1966-1963	V6	
	Seal	8773S
1966-1958	V8	
	Seal	480821
1959-1956	V6	
	Seal	471526
1957-1955	V8	
	Seal	8059S
	Bearing	201AB
1954-1951		
	Seal (inner)	8069S
	Bearing (inner)	201AB
	Bearing (outer)	88016[2]

Worm Shaft

1989-1973	exc. P series	
	Seal	222025
	Needle Bearing	SCE148
1972-1960		
	Seal	351267
	Needle Bearing	SCE148

POWER STEERING (cont.)

Worm Shaft (cont.)

1959-1956		
	Seal	351267
	Needle Bearing	SCE148

MANUAL STEERING

Pitman Shaft

1987-1938		
	Seal	313842
1941-1939		
	Seal	474278

Worm Shaft

1987-1967		
	Seal	7013S
	Bearing	8537
1966-1960		
	Seal	340413
	Bearing	8537

CRANKSHAFT REAR SEAL

6 Cylinder

1988-1986	262/4.3L	
	Seal Viton	4359V
	Seal PTFE H/D Opt.	5274
	Kwik Slv (Opt Rpr)	KWK99364
1988-1964		
	Seal	5092

8 Cylinder

1989-1986	exc. 454 & diesel engines	
	Seal Viton	4359V
	Seal PTFE H/D Opt.	5274
	Kwik Slv (Opt Rpr)	KWK99364
1989-1988	454/7.4L	
	Seal	5072
1989-1983	diesel	
	Seal	5163
1985-1964	exc. 454 & diesel engines	
	Seal	5092

TIMING COVER

6 Cylinder

1988-1964		
	Seal	9845
	Kwik Slv (Opt Rpr)	KWK99176
	Harmonic Balancer	
	Sleeves Opt.	88176

CHEVROLET/GMC TRUCK - 1 TON - C-30/35, K-30/35, R-30/35, V-30/35
(cont.)

TIMING COVER

8 Cylinder

1989-1983	454 & diesel engines	
Seal	3945
Kwik Slv (Opt Rpr)	KWK99233
Harmonic Balancer		
Sleeves Opt.	88233
1989-1964	exc. 454 & diesel engines	
Seal	9845
Kwik Slv (Opt Rpr)	KWK99176
Harmonic Balancer		
Sleeves Opt.	88176

CHEVROLET/GMC TRUCK - 1 TON - Full Size Vans - G30/G35, P30/P35

FRONT WHEEL

2WD

1989-1973	P series w/ I-beam axle	
Seal (inner)	5682[2]
Cone/Cup (inner)	26884-26823[2]
Cone/Cup (outer)	15103S-15243[2]
1989-1971	G30/G35 w/disc	
Seal (inner)	8974S[2]
Set (inner)	SET45
Cone/Cup (outer)	15103S-15243[2]
1989-1973	P series exc. I-beam axle	
Seal (inner)	8974S[2]
Set (inner)	SET45
Cone/Cup (outer)	15103S-15243[2]
1978-1971	P30, Van, Motor Home Chassis: exc. 11,000 lb. axle	
Seal (inner)	6785[2]
Set (inner)	SET45
Cone/Cup (outer)	15103S-15243[2]
1972-1971	P series 11,000 lb. axle	
Seal (inner)	8974S[2]
Set (inner)	SET45
Cone/Cup (outer)	24780-24720[2]
1972-1971	G30/G35 w/ drum	
Seal (inner)	8974S[2]
Cone/Cup (inner)	2777-2720[2]
Set (outer)	SET3
1972-1963	P series exc. 11,000 lb. axle	
Seal (inner)	8974S[2]
Cone/Cup (inner)	2777-2720[2]
Set (outer)	SET3
1970-1968	P30, Van: 11,000 lb. axle	
Seal (inner)	8974S[2]
Cone/Cup (inner)	24780-24720[2]
Set (outer)	SET3
1967	P series 11,000 lb. axle	
Seal (inner)	6785[2]
Set (inner)	SET45
Cone/Cup (outer)	15103S-15243[2]
1962-1960	P series 2.094 shaft	
Seal (inner)	40973S[2]
Bearing (inner)	B44[2]
Bearing (outer)	B47

FRONT WHEEL (cont.)

2WD (cont.)

1962-1960	P series 2.063 shaft	
Seal (inner)	5756[2]
Bearing (inner)	B44[2]
Bearing (outer)	B47

REAR WHEEL

1989-1973	P series 10.5" ring gear exc. Dana & 4whl disc	
Seal (inner)	2081[2]
Cone/Cup (inner)	387AS-382A[2]
Set	SET38
1989-1973	P series 4whl disc	
Seal (inner)	6358[2]
Cone/Cup (inner)	395CS-394CS[2]
Cone/Cup (outer)	387-382[2]
1989-1983	G30/3500 10.5" ring gear	
Seal (inner)	2081[2]
Cone/Cup (inner)	387AS-382A[2]
Set (outer)	SET38
1989-1983	G30/3500 9.5" ring gear	
Seal (inner)	3747[2]
Cyl. Bearing (inner)	R1561TV[2]
Kit	TGM1561R[2] ¹⁹
1982-1973	G30/3500	
Seal (inner)	2081[2]
Cone/Cup (inner)	387AS-382A[2]
Set (outer)	SET38
1972-1971		
Seal (inner)	2081[2]
Cone/Cup (inner)	388A-382[2]
Cone/Cup (outer)	368S-362[2]

REAR AXLE

Differential

1989-1983	9.5" ring gear	
Set	SET42
1989-1988	10.5" ring gear, dual wheels & 7.4L	
Cone/Cup	469-453X[2]

[] Indicates Quantity Required; Set Components Listed Inside Rear Cover;

¹⁹ Opt. Axle Repair Bearing. Replaces O.E. bearing & seal.

Bearings and Seals

Mfg./Year Model & Location Part No Mfg./Year Model & Location Part No

CHEVROLET/GMC TRUCK - 1 TON - Full Size Vans - G30/G35, P30/P35 (cont.)

REAR AXLE (cont.)

Differential (cont.)

1989-1974	9.5", 9.75" ring gear, 10.5" w5.7L or 6.2L; dual wheel & Spicer	387A-382S[2]
	Cone/Cup	
1984-1978	10.5" ring gear exc. Spicer axle	387AS-382A[2]
	Cone/Cup	
1972-1971	disc brakes	
	Cone/Cup	388A-382[2]
1971	drum brakes	
	Cone/Cup	LM501349-LM501314[2]

Pinion

1989-1985	9.5" ring gear	
	Cone/Cup (inner)	HM804846-HM804810
	Seal (outer)	3896
	Cone/Cup (outer)	HM88649-HM88610
	Kwik Slv (Opt Rpr)	KWK99193
1989-1985	10.5" Dana rear end	
	Seal (outer)	9316
	Cone/Cup (outer)	HM88542-HM88510
	Cone/Cup (inner)	HM807040-HM807010
	Cone/Cup (pilot)	HM803149-HM803110
	Kwik Slv (Opt Rpr)	KWK99187
1989-1974	9.75" ring gear	
	Cone/Cup (inner)	HM803146-HM803110
	Seal (outer)	9316
	Cone/Cup (outer)	HM88542-HM88510
	Kwik Slv (Opt Rpr)	KWK99187
1984-1979	10.5" ring gear & 4.10 or 4.56 axles	
	Cone/Cup (inner)	3767-3730
	Seal (outer)	9316
	Cone/Cup (outer)	HM88542-HM88510
	Kwik Slv (Opt Rpr)	KWK99187
1984-1973	10.5" ring gear Spicer exc. 4.10 or 4.56 axles	
	Cone/Cup (inner)	HM807040-HM807010
	Seal (outer)	9316
	Cone/Cup (outer)	HM88542-HM88510
	Kwik Slv (Opt Rpr)	KWK99187
1982-1978	10.5" ring gear exc. Spicer axle	
	Cone/Cup (inner)	HM803149-HM803110
	Seal (outer)	2286
	Cone/Cup (outer)	M802048-M802011
	Cyl. Bearing (pilot)	R1581TV
1972-1971		
	Seal (outer)	411330N
	Bearing Assy (outer)	55197-90030
	Cyl. Bearing (pilot)	M5205EL

3-SPEED AUTOMATIC TRANSMISSION

Torque Converter

1989-1983	THM700, 4L60-E	
	Seal	3227
	Kwik Slv (Opt Rpr)	KWK99174
1989-1964	exc. THM700	
	Seal	6712NA
	Kwik Slv (Opt Rpr)	KWK99187

Rear Seal/Ext. Housing

1989-1964	exc. 4L80E, THM400, THM475	
	Seal	9613S
	Kwik Slv (Opt Rpr)	KWK99149
	Seal Kit Opt.	5200 ⁶⁴
1979-1967	exc. THM400	
	Seal	9613S
	Seal Kit Opt.	5200 ⁶⁴
1979-1964	THM400: 1.890" shaft	
	Seal	9449
	Seal Kit Opt.	5208 ⁶⁴
1977-1964	THM400: 1.687" shaft	
	Seal	7038SA
	Seal Kit Opt.	5205 ⁶⁴

Selector Shaft Seal/Man. Shaft

1989-1964		
	Seal	8792S

4-SPEED AUTOMATIC TRANSMISSION

Torque Converter

1989-1982	THM700, 4L60-E	
	Seal	3227
	Kwik Slv (Opt Rpr)	KWK99174

Rear Seal/Ext. Housing

1989-1983	HM4L60	
	Seal	9613S
	Kwik Slv (Opt Rpr)	KWK99149
	Seal Kit Opt.	5200 ⁶⁴

Selector Shaft Seal/Man. Shaft

1989-1982		
	Seal	8792S
	Kwik Slv (Opt Rpr)	KWK99050

CLUTCH

Pilot Bearing

1989-1987	exc. 364/ 6.0L, 496/ 8.1L	
	Bearing	57080
1989-1982	diesel, turbodiesel engines	
	Bearing	57080
1986-1956	exc. diesel	
	Bushing H/D	PB656HD

Release Bearing

1989-1984	with hydraulic mechanism	
	Bearing Assy	614174
1989-1984	with cable-actuated mechanism	
	Bearing Assy	614018 ⁴²
1983-1973	exc. 250 (4.1) engine with 1.875" ID diaphragm	
	Bearing Assy	614018 ⁴²
1983-1973	250 (4.1) engine with 1.875" ID diaphragm clutch	
	Bearing Assy	614037 ⁴²

132 [] Indicates Quantity Required; Set Components Listed Inside Rear Cover;

⁴² Sealed Self-Aligning Bearing ⁶⁴ Opt. Seal and Bushing Kit

CHEVROLET/GMC TRUCK - 1 TON - Full Size Vans - G30/G35, P30/P35
(cont.)

CLUTCH (cont.)

Release Bearing (cont.)

1972-1967	exc. 194 (3.2), 250 (4.1) engines	
Bearing Assy	614018 ⁴²
1972-1967	194 (3.2), 250 (4.1) engines	
Bearing Assy	614037 ⁴²
1966	coil spring clutch: exc. diesel	
Bearing Assy	614018 ⁴²
1966	diaphragm clutch: exc. diesel	
Bearing Assy	614037 ⁴²
1965-1964	exc. 261, 292, 327 engines	
Bearing Assy	614018 ⁴²
1965-1964	261, 292, 327 engines	
Bearing Assy	614037 ⁴²

3-SPEED MANUAL TRANSMISSION

Transmission Rebuild Kit

1987-1966	Saginaw	
Kit	TRK301

Front Input Shaft

1987-1964	Saginaw	
Seal	7412S
Bearing	207SLB
Kwik Slv (Opt Rpr)	KWK99125
1982-1976	Tremac	
Seal	482208
Bearing	1208L
Kwik Slv (Opt Rpr)	KWK99112
1976-1968	Muncie	
Seal	7412S
Bearing	307L
Kwik Slv (Opt Rpr)	KWK99125

Rear Output Shaft

1987-1964	Saginaw	
Seal	9613S
Bearing	306SLVB
Kwik Slv (Opt Rpr)	KWK99149
Seal Kit Opt.	5200 ⁶⁴
1982-1976	160T Dearborn Tremec: 77mm shaft	
Seal	9613S
Bearing	207SLB
Kwik Slv (Opt Rpr)	KWK99149
Seal Kit Opt.	5200 ⁶⁴
1978-1976	Muncie HD	
Seal	9613S
Bearing	1208L
Kwik Slv (Opt Rpr)	KWK99149
Seal Kit Opt.	5200 ⁶⁴
1976	Muncie exc. HD	
Seal	9613S
Bearing	307TB
Kwik Slv (Opt Rpr)	KWK99149
Seal Kit Opt.	5200 ⁶⁴

3-SPEED MANUAL TRANSMISSION

(cont.)

Rear Output Shaft (cont.)

1975-1967	Muncie	
Seal	9613S
Bearing	307TB
Kwik Slv (Opt Rpr)	KWK99149
Seal Kit Opt.	5200 ⁶⁴
1966-1964	Muncie HD	
Seal	471341
Bearing	1306SLVB
Kwik Slv (Opt Rpr)	KWK99225

Selector Shaft Seal/Man. Shaft

1987-1964		
Seal	312518
Kwik Slv (Opt Rpr)	KWK99076

4-SPEED MANUAL TRANSMISSION

Transmission Rebuild Kit

1987-1963	New Process 435	
Kit	TRK127
1986-1978	Muncie (M20)(CH465)	
Kit	TRK157
1979-1968	SM465	
Kit	TRK157

Input Shaft

1989-1983	New Process (MY6)	
Seal	7412S
Kwik Slv (Opt Rpr)	KWK99125
1989-1985	Muncie	
Seal	9613S
Bearing	308L
Kwik Slv (Opt Rpr)	KWK99149
Seal Kit Opt.	5200 ⁶⁴
1970-1967	Warner	
Seal	9613S
Bearing	307L
Kwik Slv (Opt Rpr)	KWK99149
Seal Kit Opt.	5200 ⁶⁴

Rear Output Shaft

1989-1983	New Process	
Seal	9613S
Bearing	308LOE
Kwik Slv (Opt Rpr)	KWK99149
Seal Kit Opt.	5200 ⁶⁴
1989-1985	Muncie	
Seal	9613S
Bearing	308L
Kwik Slv (Opt Rpr)	KWK99149
Seal Kit Opt.	5200 ⁶⁴
1970-1967	Warner	
Seal	9613S
Bearing	307L
Kwik Slv (Opt Rpr)	KWK99149
Seal Kit Opt.	5200 ⁶⁴

Bearings and Seals

Mfg./Year Model & Location Part No Mfg./Year Model & Location Part No

CHEVROLET/GMC TRUCK - 1 TON - Full Size Vans - G30/G35, P30/P35 (cont.)

DRIVESHAFT SUPPORT

1989-1964
 Bearing 88107
 Hanger Bearing Assy HB88107A

POWER STEERING

Pitman Shaft

1989-1972
 Seal Kit PSK1²⁴
 Seal (inner) 471413
 Seal (outer) 7412S

Pump Shaft

1989-1972
 Seal 7013S
 Bearing 8537

Worm Shaft

1989-1979
 Seal 222025
1978-1971
 Needle Bearing SCE148

MANUAL STEERING

Pitman Shaft

1989-1964
 Seal 313842

Worm Shaft

1989-1964
 Seal 7013S
 Bearing 8537

CRANKSHAFT REAR SEAL

6 Cylinder

1989-1985
 Seal Viton 4359V
 Seal PTFE H/D Opt. 5274
 Kwik Slv (Opt Rpr) KWK99364
1985-1964
 Seal 5092

8 Cylinder

1989-1986 exc. 454 & diesel engines
 Seal Viton 4359V
 Seal PTFE H/D Opt. 5274
 Kwik Slv (Opt Rpr) KWK99364
1989-1988 454/7.4L
 Seal 5072
1989-1983 diesel
 Seal 5163
1985-1964 exc. 454 & diesel engines
 Seal 5092

TIMING COVER

6 Cylinder

1989-1964
 Seal 9845
 Kwik Slv (Opt Rpr) KWK99176
 Harmonic Balancer
 Sleeves Opt. 88176

8 Cylinder

1989-1983 454 & diesel engines
 Seal 3945
 Kwik Slv (Opt Rpr) KWK99233
 Harmonic Balancer
 Sleeves Opt. 88233
1989-1964 exc. 454 & diesel engines
 Seal 9845
 Kwik Slv (Opt Rpr) KWK99176
 Harmonic Balancer
 Sleeves Opt. 88176

CHEVROLET/GMC TRUCK - 1-1/2, 2, 2-1/2 TON - 40, 50, 60, 70, 4100, 4400, 4500

FRONT WHEEL

1989-1988 W5S042
 Seal (inner) 710087[2]
 Bearing Assy (inner) 513046[2]
 Bearing Assy (outer) 513045[2]

FRONT WHEEL (cont.)

1989 W7R042M: air brakes: Z06 axle
 Seal (inner) 710084[2]
 Cone/Cup (inner) H414245A-H414210[2]
 Bearing Assy (outer) 513047[2]
1989-1987 W7R042HD
 Seal (inner) 710084[2]
 Cone/Cup (inner) H414245A-H414210[2]
 Bearing Assy (outer) 513047[2]

134 [] Indicates Quantity Required; Set Components Listed Inside Rear Cover;

²⁴ Opt. Kit incl. seals 5683 & 5684. Not sold separately

CHEVROLET/GMC TRUCK - 1-1/2, 2, 2-1/2 TON - 40, 50, 60, 70, 4100, 4400, 4500 (cont.)

FRONT WHEEL (cont.)

1989-1987	W7R042M: part. hydraulic brakes: Z05 axle	
	Seal (inner)	710088[2]
	Cone/Cup (inner)	HM212047-HM212011[2]
	Cone/Cup (outer)	4388-4335[2]
1989	9,000 lb. axle: C7D064	
	Seal (inner)	370018A[2] ⁵⁷
	Cone/Cup (inner)	39581-39520[2]
	Cone/Cup (outer)	26878-26820[2]
1989	9,000 lb. axle: B6P042, C6D042	
	Seal (inner)	370011A[2] ⁵⁷
	Cone/Cup (inner)	HM212047-HM212011[2]
	Cone/Cup (outer)	45282-45220[2]
1989-1960	7,000 lb. axle: F070: B6P042, C5D042, C6D042, C7D042, C7D064, P4T042, P6T042	
	Seal (inner)	8976S[2]
	Cone/Cup (inner)	45284-45220[2]
	Seal (outer)	370145A[2] ⁵⁷
	Cone/Cup (outer)	2796-2720[2]
1989-1968	12,000 lb. axle: B6P042, C6D042, P6T042, S7T042	
	Seal (inner)	370011A[2] ⁵⁷
	Cone/Cup (inner)	HM212047-HM212011[2]
	Cone/Cup (outer)	45282-45220[2]
1989-1960	5,000 lb. axle: F050: C5D042, C6D042, C7D042, P4T042	
	Seal (inner)	8975S[2]
	Cone/Cup (inner)	3578A-3525[2]
	Cone/Cup (outer)	15103S-15243[2]
1989-1960	5,500 lb. axle: F055: C5D042, C6D042, C7D042, P4T042	
	Seal (inner)	8975S[2]
	Cone/Cup (inner)	3578A-3525[2]
	Cone/Cup (outer)	15103S-15243[2]
1989-1968	11,000 lb. axle	
	Seal (inner)	45282A[2]
	Cone/Cup (inner)	HM212047-HM212011[2]
	Cone/Cup (outer)	45282-45220[2]
1988-1969	9,000 lb. axle: B6P042, C6D042, C7D064	
	Seal (inner)	370018A[2] ⁵⁷
	Cone/Cup (inner)	39581-39520[2]
	Cone/Cup (outer)	26878-26820[2]
1972-1965	4,000 lb. axle	
	Seal (inner)	5119[2]
	Cone/Cup (inner)	25582-25520[2]
	Set (outer)	SET3
1967	11,000 lb. axle	
	Seal (inner)	370211A[2] ⁵⁷
	Cone/Cup (inner)	HM212047-HM212011[2]
	Cone/Cup (outer)	3779-3720[2]
1965-1963	4,000 lb. axle	
	Seal (inner)	8974S[2]
	Cone/Cup (inner)	2777-2720[2]
	Set (outer)	SET3
1962-1960	4,000 lb. axle	
	Seal (inner)	8243[2]
	Bearing (inner)	B48[2]
	Bearing (outer)	B47[2]

FRONT WHEEL (cont.)

1959-1954	tapered bearing	
	Seal (inner)	6785[2]
	Cone/Cup (inner)	25583-25519[2]
	Cone/Cup (outer)	15103S-15243[2]
1959-1953	ball bearing	
	Seal (inner)	40973S[2]
	Bearing (inner)	B46[2]
	Bearing (outer)	B47[2]
1957-1953	11, 1500 series	
	Bearing (inner)	B46[2]
	Bearing (outer)	B45[2]
1953-1949	all	
	Cone/Cup (inner)	17883-17831[2]
	Cone/Cup (outer)	15579A-15522A[2]
1949-1946	all	
	Cone/Cup (inner)	17883-17830[2]
	Cone/Cup (outer)	15574A-15522A[2]

REAR WHEEL

1989-1988	W5S042	
	Seal (inner)	710085[2]
	Bearing Assy (inner)	32215[2]
	Seal (outer)	710086[2]
	Bearing Assy (outer)	32213M[2]
1989-1988	Eaton 15040 axle: B7T042, C6H042, C7H042, P4T042, P6S042	
	Seal (inner)	370008A[2] ⁵⁷
	Cone/Cup (inner)	33287-33462[2]
	Cone/Cup (outer)	3982-3920[2]
1989-1987	Eaton 15040 axle: C5D042, C5H042, P4T042	
	Seal (inner)	370008A[2] ⁵⁷
	Cone/Cup (inner)	33287-33462[2]
	Cone/Cup (outer)	3982-3920[2]
1989-1988	Eaton 19050, 19055 axles: C5D042, C6H042, C7H042	
	Seal (inner)	370023A[2] ⁵⁷
	Cone/Cup (inner)	47686-47620[2]
	Cone/Cup (outer)	39590-39520[2]
1989-1987	W7R042HD, W7R042T	
	Seal (inner)	710089[2]
	Bearing Assy (inner)	32219M[2]
	Seal (outer)	710090[2]
	Bearing Assy (outer)	32218M[2]
1989-1987	W7R042M	
	Seal (inner)	710278[2]
	Bearing Assy (inner)	32216[2]
	Seal (outer)	710277[2]
	Bearing Assy (outer)	32215[2]
1989-1982	50, 60, 70 Series: 17500 lb. H175, T175 axles: B6P042, C6D042, C7D042, C7D064, P6T04	
	Seal (inner)	370009A[2] ⁵⁷
	Cone/Cup (inner)	495AX-493[2]
	Seal (outer)	6864S[2]
	Cone/Cup (outer)	39590-39520[2]

[] Indicates Quantity Required; Set Components Listed Inside Rear Cover;
⁵⁷ Oil Bath Seal

Bearings and Seals

Mfg./Year Model & Location Part No Mfg./Year Model & Location Part No

CHEVROLET/GMC TRUCK - 1-1/2, 2, 2-1/2 TON - 40, 50, 60, 70, 4100, 4400, 4500 (cont.)

REAR WHEEL (cont.)

1989-1969	50, 60, 70 Series: 19000 lb. axle
Seal (inner)370023A[2] ⁵⁷
Cone/Cup (inner)594A-592A[2]
Cone/Cup (outer)47686-47620[2]
1989-1988	40, 50, 60 Series: H110: 11000 lb. axle: B6P042, C6D042, P6T042
Seal (inner)370046A[2] ⁵⁷
Cone/Cup (inner)3984-3920[2]
Cone/Cup (outer)28682-28622A[2]
1989-1988	40, 50, 60 Series: H135: 13500 lb. axle: B6P042, C6D042, P6T042
Seal (inner)370046A[2] ⁵⁷
Cone/Cup (inner)3984-3920[2]
Cone/Cup (outer)28682-28622A[2]
1989-1980	50, 60 Series: 15000 lb. H150, T150 axles: B6P042, C6D042, P6T042
Seal (inner)370009A[2] ⁵⁷
Cone/Cup (inner)33287-33472[2]
Seal (outer)6864S[2]
Cone/Cup (outer)3982-3925[2]
1989-1980	Eaton 17121, 17221 axles: B6P042, C6D042, P6T042
Seal (inner)370023A[2] ⁵⁷
Cone/Cup (inner)47686-47620[2]
Cone/Cup (outer)39590-39520[2]
1987	Eaton 15040 axle: P4T042
Seal (inner)370009A[2] ⁵⁷
Cone/Cup (inner)33287-33462[2]
Cone/Cup (outer)3982-3920[2]
1987-1986	Eaton 15101 axle: C5D042
Seal (inner)370008A[2] ⁵⁷
Cone/Cup (inner)33287-33462[2]
Cone/Cup (outer)3982-3920[2]
1987-1982	40, 50, 60 Series: H110: 11000 lb. axle: C5D042, C6D042, P6T042
Seal (inner)370046A[2] ⁵⁷
Cone/Cup (inner)3984-3920[2]
Cone/Cup (outer)28682-28622A[2]
1987-1982	40, 50, 60 Series: H135: 13500 lb. axle: C5D042, C6D042, P6T042
Seal (inner)370046A[2] ⁵⁷
Cone/Cup (inner)3984-3920[2]
Cone/Cup (outer)28682-28622A[2]
1981-1973	40, 50, 60 Series: 13500 lb. axle
Seal (inner)2055[2]
Cone/Cup (inner)395CS-394CS[2]
Cone/Cup (outer)387-382[2]
1981-1967	50 Series: 15000 lb. T150 axle: 15"x5" hyd brakes
Seal (inner)9128S[2]
Cone/Cup (inner)33287-33472[2]
Cone/Cup (outer)3982-3925[2]

REAR WHEEL (cont.)

1981-1967	50, 60, 70 Series: 17000 lb. axle
Seal (inner)9128S[2]
Cone/Cup (inner)495AX-493[2]
Cone/Cup (outer)39590-39520[2]
1981-1966	40 Series, 50 Series: 11000 lb. axle
Seal (inner)6358[2]
Cone/Cup (inner)395CS-394CS[2]
Cone/Cup (outer)387-382[2]
1981-1963	40, 50, 60 Series: 15000 lb. H150 axle: 15"x4" hydraulic brakes: P4T042
Seal (inner)485497[2]
Cone/Cup (inner)M514546-M514512[2]
Cone/Cup (outer)M111048-M111012[2]
1972-1964	40, 50, 60 Series: 13500 lb. axle
Seal (inner)2055[2]
Cone/Cup (inner)395CS-394CS[2]
Cone/Cup (outer)387-382[2]
1967	40 Series: 15000 lb. T150 axle
Cone/Cup (inner)395CS-394CS[2]
Cone/Cup (outer)387-382[2]
1966	50 Series: 15000 lb. 2-speed axle
Cone/Cup (inner)M514546-M514512[2]
Cone/Cup (outer)M111048-M111012[2]
1965-1963	50 Series: 11000 lb. axle
Seal (inner)6358[2]
Cone/Cup (inner)395CS-394CS[2]
Cone/Cup (outer)387-382[2]
1962-1954	4100, 4400, 4500 Series: 2-speed axle
Seal (inner)485497[2]
Cone/Cup (inner)M514546-M514512[2]
Cone/Cup (outer)M111048-M111012[2]
1962-1946	4100, 4400, 4500 Series: 1-speed axle
Seal (inner)6358[2]
Cone/Cup (inner)395CS-394CS[2]
Cone/Cup (outer)387-382[2]

SINGLE REAR AXLE

Differential Rebuild Kit

1989-1988	Eaton 19050T, 19055D, 19055S, 19055T axles
KitDRK23D
1989-1987	Eaton 15040T axle
KitDRK24
1989-1983	Dana/Spicer M185T, M190T, M220T axles
KitDRK214
1989-1988	Eaton 17401 axle
KitDRK23B
1989-1986	Eaton 16121 axle
KitDRK23B
1988-1973	Eaton 17101, 17121, 18121 axles
KitDRK1A
1988-1973	Eaton 17201, 17221, 18221 axles
KitDRK1
1988-1973	Eaton 23221 axle
KitDRK72A

CHEVROLET/GMC TRUCK - 1-1/2, 2, 2-1/2 TON - 40, 50, 60, 70, 4100, 4400, 4500 (cont.)

SINGLE REAR AXLE (cont.)

Differential Rebuild Kit (cont.)

1987-1986	Eaton 15101 axle	
Kit	DRK24
1987-1984	Dana/Spicer 70HD axle	
Kit	DRK332HD
1987-1983	Dana/Spicer G190S axle	
Kit	DRK213
1982-1965	T150 axle	
Kit	DRK170
1980-1966	T170 axle	
Kit	DRK170
1979-1973	Eaton 19201 axle	
Kit	DRK72
1966-1961	Eaton 16800, 16802, 16803 axles	
Kit	DRK23

Differential

1989-1988	Eaton 19050T, 19055D, 19055S, 19055T axles	
Cone/Cup (LH)	42381-42584
Cone/Cup (RH)	495A-493
1989-1987	Eaton 15040S axle	
Cone/Cup (LH)	3994-3920
Cone/Cup (RH)	497-493
1989-1987	Eaton 21065S, 23070S, 23105S axles	
Cone/Cup (LH)	598-592A
Cone/Cup (RH)	497-493
1989-1983	Eaton 21065T axle	
Cone/Cup (LH)	56425-56650
Cone/Cup (RH)	497-493
1989-1983	Eaton 23070P, 23070T axles	
Cone/Cup (LH)	56425-56650
Cone/Cup (RH)	497-493
1989-1973	Eaton 17201, 17221, 17421, 18221, 22221 axles	
Cone/Cup (LH)	56425-56650
Cone/Cup (RH)	497-493
1989-1988	Isuzu R065 axle	
Cone/Cup (LH)	3984-3920
Cone/Cup (RH)	3984-3920
1989-1988	Isuzu R077 axle	
Bearing Assy (LH)	30214
Bearing Assy (RH)	30214
1989-1987	Isuzu R094 axle	
Bearing Assy (LH)	32216
Bearing Assy (RH)	32216
1989-1983	Dana/Spicer M185T, M190S, M190T, M220T axles	
Cone/Cup (LH)	JM822049-JM822010
Cone/Cup (RH)	JM716649-JM716610
1989-1988	Eaton 17401 axle	
Cone/Cup (LH)	567-563
Cone/Cup (RH)	3994-3920
1989-1986	Eaton 16121 axle	
Cone/Cup (LH)	567-563
Cone/Cup (RH)	3994-3920

SINGLE REAR AXLE (cont.)

Differential (cont.)

1988-1982	T175 axle	
Cone/Cup (LH)	42381-42584
Cone/Cup (RH)	495AX-493
1988-1973	Eaton 17101, 17121, 18121, 22121 axles	
Cone/Cup (LH)	567-563
Cone/Cup (RH)	497-493
1988-1973	Eaton 23221 axle	
Cone/Cup (LH)	68450-68712
Cone/Cup (RH)	42346-42584
1987	Eaton 15040T axle	
Cone/Cup (LH)	3994-3920
Cone/Cup (RH)	33275-33472
1987-1986	Eaton 15101 axle	
Cone/Cup (LH)	3994-3920
Cone/Cup (RH)	33275-33472
1987-1984	Dana/Spicer 70HD axle	
Cone/Cup (LH)	469-453X
Cone/Cup (RH)	469-453X
1987-1983	Dana/Spicer G190S axle	
Cone/Cup (LH)	42381-42584
Cone/Cup (RH)	495-493
1986-1983	H110 axle	
Cone/Cup	395-394A
1986-1983	H135 axle	
Cone/Cup	3994-JM511910
1986-1956	H150 axle	
Set	KR12051Z
1982-1965	T150 axle: from early 1965 on	
Cone/Cup (LH)	42381-42584
Cone/Cup (RH)	33275-33472
1982-1956	H110 axle	
Cone/Cup	28990-28919
1982-1956	H135 axle	
Cone/Cup	28985-28921
1981-1973	T185 axle	
Cone/Cup (LH)	42688-42620
Cone/Cup (RH)	42688-42620
1980-1966	T170 axle	
Cone/Cup (LH)	42381-42584
Cone/Cup (RH)	33287-33472
1979	H172 axle	
Cone/Cup	JLM714149-JLM714110
1979-1973	Eaton 19201 axle with 27950 case	
Cone/Cup (LH)	68450-68712
Cone/Cup (RH)	42346-42584
1979-1973	Eaton 19201 axle with 103537 case	
Cone/Cup (LH)	68462-68712
Cone/Cup (RH)	42346-42584
1979-1965	H170 axle	
Set	KR12051Z[2]
1966-1986	T150 axle	
Cone/Cup (LH)	498-493
Cone/Cup (RH)	33275-33472

Bearings and Seals

Mfg./Year Model & Location Part No Mfg./Year Model & Location Part No

CHEVROLET/GMC TRUCK - 1-1/2, 2, 2-1/2 TON - 40, 50, 60, 70, 4100, 4400, 4500 (cont.)

SINGLE REAR AXLE (cont.)

Differential (cont.)

1966-1961	Eaton 16800, 16802, 16803 axles	
	Cone/Cup (LH)	42381-42584
	Cone/Cup (RH)	495A-493
1965	T150 axle: early 1965	
	Set (RH)	KR12051Z
1965-1963	T170 axle	
	Set (RH)	KR12051Z

Pinion

1989-1988	Eaton 19050S axle	
	Cone/Cup (inner)	72200C-72487
	Seal (outer)	9773R
	Cone/Cup (outer)	HM903249-HM903210
	Cyl. Bearing (pilot)	RUB1570UM
1989-1988	Eaton 19050T, 19055D, 19055S, 19055T axles with 2.375" shaft	
	Cone/Cup (inner)	55175C-55437
	Seal (outer)	9773R
	Cone/Cup (outer)	55175C-55437
	Cyl. Bearing (pilot)	MUS1307UM
1989-1987	Eaton 15040S axle	
	Cone/Cup (inner)	55175C-55437
	Seal (outer)	9773R
	Cone/Cup (outer)	HM903249-HM903210
	Cyl. Bearing (pilot)	MUB1305UDM
1989-1987	Eaton 15040T axle	
	Cone/Cup (inner)	HM903249-HM903210
	Seal Kit (outer)	722250S
	Cone/Cup (outer)	HM903249-HM903210
	Cyl. Bearing (pilot)	MU1305TDM
1989-1987	Eaton 21065S axle	
	Cone/Cup (inner)	78215C-78551
	Seal (outer)	9773R
	Cone/Cup (outer)	55200C-55437
	Cyl. Bearing (pilot)	MUS1308UM
1989-1987	Eaton 21065T axle	
	Cone/Cup (inner)	72200C-72487
	Seal (outer)	9773R
	Cone/Cup (outer)	55200C-55437
	Cyl. Bearing (pilot)	MUS1307UM
1989-1987	Eaton 23070S, 23105S axles	
	Cone/Cup (inner)	H913842-H913810
	Seal (outer)	712937
	Cone/Cup (outer)	72212C-72487
	Cyl. Bearing (pilot)	MUS1308UM
1989-1988	Isuzu R065, R077 axles	
	Bearing Assy (inner)	30310
	Seal (outer)	710276
	Bearing Assy (outer)	30309M
1989-1987	Isuzu R094 axle	
	Bearing Assy (inner)	30310
	Seal (outer)	710275
	Bearing Assy (outer)	30311
1989-1987	Isuzu R105 axle	
	Bearing Assy (inner)	30312
	Seal (outer)	710275
	Cone/Cup (outer)	580-572

SINGLE REAR AXLE (cont.)

Pinion (cont.)

1989-1983	Dana/Spicer M185T, M190S, M190T, M220T axles	
	Cone/Cup (inner)	72225C-72487
	Seal (outer)	477163N
	Cone/Cup (outer)	55200C-55437
	Cyl. Bearing (pilot)	MUS1308UM
1989-1982	15,000 lb. 1-speed axle	
	Cone/Cup (inner)	HM803149-HM803110
	Cone/Cup (outer)	HM803149-HM803110
1989-1982	15,000 lb. 2-speed axle	
	Cone/Cup (inner)	HM903249-HM903210
	Cone/Cup (outer)	HM903249-HM903210
1989-1982	11,000 lb. axle	
	Cone/Cup (inner)	M903345-M903310
	Cone/Cup (outer)	44143-44348
1989-1982	13,500 lb. axle	
	Cone/Cup (inner)	HM803146-HM803110
	Cone/Cup (outer)	44143-44348
1989-1982	17,000 lb. 1-speed axle	
	Cone/Cup (inner)	55200C-55437
	Cone/Cup (outer)	HM804846-HM804810
1989-1982	17,000 lb. 2-speed axle	
	Cone/Cup (inner)	55175C-55437
	Cone/Cup (outer)	55175C-55437
1989-1976	R-S SLHR axle	
	Cone/Cup (inner)	72200C-72487
	Cone/Cup (outer)	72188C-72487
1989-1976	Eaton 34RT axle	
	Cone/Cup (inner)	55200C-55437
	Cone/Cup (outer)	55200C-55437
1989-1986	Eaton 16121, 17401 axles with 2.375" shaft	
	Cone/Cup (inner)	HM903249-HM903210
	Seal (outer)	712375
	Cone/Cup (outer)	HM903249-HM903210
	Cyl. Bearing (pilot)	MUS1307UM
1989-1986	Eaton 16121, 17401 axles with 2.625" shaft	
	Cone/Cup (inner)	HM903249-HM903210
	Seal (outer)	712625
	Cone/Cup (outer)	HM903249-HM903210
	Cyl. Bearing (pilot)	MUS1307UM
1989-1982	379/6.2L Diesel	
	Seal	5163
1989-1980	454/7.4L	
	Seal	5072
1988-1982	T175 axle	
	Cone/Cup (inner)	55175C-55437
	Seal (outer)	9773R
	Cone/Cup (outer)	55175C-55437
	Cyl. Bearing (pilot)	MUS1307UM
1988-1973	Eaton 17101, 17121, 17201, 17221 axles	
	Cone/Cup (inner)	55200C-55437
	Seal (outer)	9773R
	Cone/Cup (outer)	55200C-55437
	Cyl. Bearing (pilot)	MUS1307UM

CHEVROLET/GMC TRUCK - 1-1/2, 2, 2-1/2 TON - 40, 50, 60, 70, 4100, 4400, 4500 (cont.)

SINGLE REAR AXLE (cont.)

Pinion (cont.)

1988-1973	Eaton 23221 axle	
	Cone/Cup (inner)	78215C-78551
	Seal (outer)	712937
	Cone/Cup (outer)	72212C-72487
	Cyl. Bearing (pilot)	MUS1308UM
1987-1986	Eaton 15101 axle	
	Cone/Cup (inner)	HM903249-HM903210
	Cone/Cup (outer)	HM903249-HM903210
	Cyl. Bearing (pilot)	MU1305TDM
1987-1986	pinion shaft seal with retainer	
	Seal Kit	722250S
1987-1986	pinion shaft seal with no retainer	
	Seal	470737N
1987-1986	Eaton 17421 axle	
	Cone/Cup (inner)	78215C-78551
	Seal (outer)	9773R
	Cone/Cup (outer)	55200C-55437
	Cyl. Bearing (pilot)	MUS1307UM
1987-1984	Dana/Spicer 70HD axle	
	Cone/Cup (inner)	HM807040-HM807010
	Seal (outer)	9316
	Cone/Cup (outer)	HM88542-HM88510
1987-1983	Dana/Spicer G190S axle	
	Cone/Cup (inner)	55200C-55437
	Seal Viton (outer)	455088V
	Cone/Cup (outer)	55200C-55437
	Cyl. Bearing (pilot)	MUS1307UM
1986	T150 axle	
	Cone/Cup (inner)	HM903249-HM903210
	Seal Kit (outer)	722250S
	Cone/Cup (outer)	HM903249-HM903210
	Cyl. Bearing (pilot)	M1305TDM
1986-1985	Eaton 22121 axle	
	Cone/Cup (inner)	55200C-55437
	Seal (outer)	9773R
	Cone/Cup (outer)	55200C-55437
	Cyl. Bearing (pilot)	MUS1307UM
1986-1983	H110 axle	
	Cyl. Bearing (inner)	MU1305TDM
	Seal (outer)	475080N
	Bearing (outer)	5310WA
	Cyl. Bearing (pilot)	MU1306TDM
1986-1983	H135 axle	
	Cone/Cup (inner)	HM803146-HM803110
	Seal (outer)	475080N
	Cone/Cup (outer)	44143-44348
	Cyl. Bearing (pilot)	MU1305TDM
1986-1980	H150 axle	
	Seal (outer)	411330N
	Bearing Assy (outer)	55197-90030
	Cyl. Bearing (pilot)	MR5206EL
1984-1979	Eaton 22121, 22221 axles	
	Cone/Cup (inner)	72200C-72487
	Seal (outer)	9773R
	Cone/Cup (outer)	55200C-55437
	Cyl. Bearing (pilot)	MUS1307UM

SINGLE REAR AXLE (cont.)

Pinion (cont.)

1982-1966	T150 axle	
	Cone/Cup (inner)	55200C-55437
	Seal (outer)	712598S
	Cone/Cup (outer)	HM804848-HM804810
	Cyl. Bearing (pilot)	M5305TV
1982-1956	H110 axle	
	Seal (outer)	411330N
	Bearing (outer)	5310WA
	Cyl. Bearing (pilot)	MU1306TDM
1982-1956	H135, H150, H170 axles	
	Seal (outer)	411330N
	Bearing Assy (outer)	55197-90030
	Cyl. Bearing (pilot)	MR5206EL
1981-1976	13,500 lb. 1-speed axle	
	Bearing Assy (inner)	55197-90030
1981-1976	15,000 lb. 1-speed axle	
	Bearing Assy (inner)	55197-90030
1981-1976	15,000 lb. 2-speed axle	
	Cone/Cup (inner)	55200C-55437
	Cone/Cup (outer)	HM804848-HM804810
1981-1976	17,000 lb. 2-speed axle	
	Cone/Cup (inner)	55200C-55437
	Cone/Cup (outer)	HM804848-HM804810
1981-1973	T185 axle	
	Cone/Cup (inner)	HM804843-HM804810
	Seal (outer)	475009N
	Cone/Cup (outer)	HM813842-HM813810
1980	H170 axle	
	Seal (outer)	411330N
	Bearing Assy (outer)	55197-90030
	Cyl. Bearing (pilot)	MUB5206UM
1980-1973	Eaton 18121, 18221 axles	
	Cone/Cup (inner)	55200C-55437
	Seal (outer)	9773R
	Cone/Cup (outer)	55200C-55437
	Cyl. Bearing (pilot)	MUS1307UM
1980-1966	T170 axle	
	Cone/Cup (inner)	55200C-55437
	Seal (outer)	712598S
	Cone/Cup (outer)	HM804848-HM804810
	Cyl. Bearing (pilot)	M5305TV
1979	H172 axle	
	Cone/Cup (inner)	55200C-55437
	Seal (outer)	415082N
	Cone/Cup (outer)	HM804846-HM804810
	Cyl. Bearing (pilot)	RU1570UM
1979-1976	Eaton 19101 axle	
	Cone/Cup (inner)	72212C-72487
	Cone/Cup (outer)	72212C-72487
1979-1976	17,000 lb. 1-speed axle	
	Bearing Assy (inner)	55197-90030
1979-1973	Eaton 19201 axle	
	Cone/Cup (inner)	72212C-72487
	Seal (outer)	475003N
	Cone/Cup (outer)	72212C-72487
	Cyl. Bearing (pilot)	MUS1308UM

Bearings and Seals

Mfg./Year Model & Location Part No Mfg./Year Model & Location Part No

CHEVROLET/GMC TRUCK - 1-1/2, 2, 2-1/2 TON - 40, 50, 60, 70, 4100, 4400, 4500 (cont.)

SINGLE REAR AXLE (cont.)

Pinion (cont.)

1966-1961	Eaton 16800, 16802, 16803 axles with 2.375" pinion shaft
	Cone/Cup (inner) HM903249-HM903210
	Seal (outer) 712375
	Cone/Cup (outer) HM903249-HM903210
	Cyl. Bearing (pilot) MUS1307UM
1966-1961	Eaton 16800, 16802, 16803 axles with 2.625" pinion shaft
	Cone/Cup (inner) HM903249-HM903210
	Seal (outer) 712625
	Cone/Cup (outer) HM903249-HM903210
	Cyl. Bearing (pilot) MUS1307UM
1965	T150 axle
	Seal (outer) 411330N
	Bearing Assy (outer) 55197-90030
	Cyl. Bearing (pilot) MR5206EL
1965-1963	T170 axle
	Seal (outer) 411330N
	Bearing Assy (outer) 55197-90030
	Cyl. Bearing (pilot) MR5206EL

Crossshaft

1979-1973	T185 axle
	Cone/Cup (LH) HM807040-HM807010
	Cone/Cup (RH) HM807046-HM807010

TANDEM REAR AXLE - FRONTMOST AXLE

Differential Rebuild Kit

1989-1984	Eaton DT341, DT381, DS402, DT402 axles
	Kit DRK207
1989-1984	Eaton DS341 axle
	Kit DRK196
1983-1979	Eaton 34DT axle: ribbed center section: input shaft tapered bearing
	Kit DRK64FE
	Kit DRK64F
1983-1973	Eaton 34DS axle: ribbed center section: input shaft tapered bearing
	Kit DRK64FE
	Kit DRK64F
1983-1973	Eaton 34DS axle: conical center section: input shaft tapered bearing
	Kit DRK64FD
	Kit DRK64FC

TANDEM REAR AXLE - FRONTMOST AXLE

Differential

1989-1984	Eaton DS341 axle
	Cone/Cup (LH) 497-493
	Cone/Cup (RH) 567-563
1989-1980	Eaton DT341, DT381, DS402, DT402 axles
	Cone/Cup (LH) 497-493
	Cone/Cup (RH) 56425-56650
1987-1979	Eaton 34DT axle
	Cone/Cup (LH) 497-493
	Cone/Cup (RH) 56425-56650
1983-1973	Eaton 34DS axle: ribbed center section
	Cone/Cup (LH) 497-493
	Cone/Cup (RH) 56425-56650
1983-1973	Eaton 34DS axle: conical center section
	Cone/Cup (LH) 497-493
	Cone/Cup (RH) 567-563
1979-1973	Eaton 30DSC axle: ribbed center section
	Cone/Cup (LH) 495A-493
	Cone/Cup (RH) 42381-42584
1979-1973	Eaton 30DSC axle: conical center section
	Cone/Cup (LH) 3994-3920
	Cone/Cup (RH) 567-563
1979-1973	Rockwell SLHD, SQHD axles: 1.11 thru 4.63 gear
	Cone/Cup (LH) 497-493
	Cone/Cup (RH) 496-493
1979-1973	Rockwell SLHD, SQHD axles: 4.64 thru 9.99 gear
	Cone/Cup (LH) 496-493
	Cone/Cup (RH) 496-493
1961	Eaton 30DS axle: ribbed center section
	Cone/Cup (LH) 495A-493
	Cone/Cup (RH) 42381-42584
1961	Eaton 30DS axle: conical center section
	Cone/Cup (LH) 3994-3920
	Cone/Cup (RH) 567-563

Pinion

1989-1985	Eaton DS341 axle
	Cone/Cup (inner) 55200C-55437
	Seal (outer) 9773R
	Cone/Cup (outer) 55200C-55437
	Cyl. Bearing (pilot) MUS1307UM
1989-1984	Eaton DT341, DT381, DS402, DT402 axles
	Cone/Cup (inner) 72218C-72487
	Cone/Cup (outer) HM807049-HM807010
	Cyl. Bearing (pilot) MUS1307UM

CHEVROLET/GMC TRUCK - 1-1/2, 2, 2-1/2 TON - 40, 50, 60, 70, 4100, 4400, 4500 (cont.)

TANDEM REAR AXLE - FRONTMOST AXLE (cont.)

Pinion (cont.)

1984	Eaton DS341 axle	
	Cone/Cup (inner)	72218C-72487
	Seal (outer)	9773R
	Cone/Cup (outer)	HM807049-HM807010
	Cyl. Bearing (pilot)	MUS1307UM
1983-1973	Eaton 34DS, 34DT axles	
	Cone/Cup (inner)	72200C-72487
	Cone/Cup (outer)	72200C-72487
	Cyl. Bearing (pilot)	MUS1307UM
1979-1973	Eaton 30DSC axle	
	Cone/Cup (inner)	55200C-55437
	Cone/Cup (outer)	55200C-55437
	Cyl. Bearing (pilot)	MUS1307UM
1979-1973	Rockwell SLHD, SQHD axles: 1.1875" pilot shaft	
	Cone/Cup (inner)	72200C-72487
	Seal (outer)	476500N
	Cone/Cup (outer)	72200C-72487
	Cyl. Bearing (pilot)	MU1306TDM
1979-1973	Rockwell SLHD, SQHD axles: 1.375" pilot shaft	
	Cone/Cup (inner)	72200C-72487
	Seal (outer)	476500N
	Cone/Cup (outer)	72200C-72487
	Cyl. Bearing (pilot)	RU1570UM
1961	Eaton 34DS axle	
	Cone/Cup (inner)	55200C-55437
	Cone/Cup (outer)	55200C-55437
	Cyl. Bearing (pilot)	MUS1307UM

Through Shaft - Input Shaft

1989-1984	Eaton DS341, DT341, DT381, DS402, DT402 axles	
	Seal	475012N
	Cone/Cup	3979-JM511910
1983-1980	Eaton 34DS, 34DT axle: tapered roller bearing	
	Seal	475003N
	Cone/Cup	JM207049-JM207010
1983-1980	Eaton 34DS, 34DT axle: ball bearing	
	Seal	475003N
	Bearing	311TB

Through Shaft - Output Shaft

1989-1984	Eaton DS341, DT341, DT381, DS402, DT402 axles	
	Cone/Cup (inner)	29675-29620
	Seal (outer)	475003N
	Bearing (outer)	MA1209EL
1983-1980	Eaton 34DS, 34DT axle	
	Cone/Cup (inner)	34274-34492A
	Seal (outer)	475003N
	Bearing (outer)	MA1209EL

TANDEM REAR AXLE - REARMOST AXLE

Differential Rebuild Kit

1989-1988	Eaton DT341, DS402, DT402 axles	
	Kit	DRK207
1989-1984	Eaton DS341 axle	
	Kit	DRK196
1982-1979	Eaton 34RT axle	
	Kit	DRK1

Differential

1989-1988	Eaton DT341, DS402, DT402 axles	
	Cone/Cup (LH)	497-493
	Cone/Cup (RH)	56425-56650
1989-1984	Eaton DS341 axle	
	Cone/Cup (LH)	497-493
	Cone/Cup (RH)	567-563
1982-1979	Eaton 34RT axle	
	Cone/Cup (LH)	56425-56650
	Cone/Cup (RH)	497-493
1979-1973	Rockwell SLHD, SQHD axles: 1.11 thru 4.63 gear	
	Cone/Cup (LH)	497-493
	Cone/Cup (RH)	496-493
1979-1973	Rockwell SLHD, SQHD axles: 4.64 thru 9.99 gear	
	Cone/Cup (LH)	496-493
	Cone/Cup (RH)	496-493

Pinion

1989-1988	Eaton DT341, DS402, DT402 axles	
	Cone/Cup (inner)	72218C-72487
	Cone/Cup (outer)	HM807049-HM807010
	Cyl. Bearing (pilot)	MUS1307UM
1989-1985	Eaton DS341 axle	
	Cone/Cup (inner)	55200C-55437
	Seal (outer)	9773R
	Cone/Cup (outer)	55200C-55437
	Cyl. Bearing (pilot)	MUS1307UM
1984	Eaton DS341 axle	
	Cone/Cup (inner)	72218C-72487
	Seal (outer)	9773R
	Cone/Cup (outer)	HM807049-HM807010
	Cyl. Bearing (pilot)	MUS1307UM
1982-1979	Eaton 34RT axle	
	Cone/Cup (inner)	55200C-55437
	Seal (outer)	9773R
	Cone/Cup (outer)	55200C-55437
	Cyl. Bearing (pilot)	MUS1307UM
1979-1973	Rockwell SLHD, SQHD axles: 1.375" pilot shaft	
	Cone/Cup (inner)	72200C-72487
	Seal (outer)	475009N
	Cone/Cup (outer)	72188C-72487
	Cyl. Bearing (pilot)	RU1570UM

Bearings and Seals

Mfg./Year	Model & Location	Part No	Mfg./Year	Model & Location	Part No
CHEVROLET/GMC TRUCK - 1-1/2, 2, 2-1/2 TON - 40, 50, 60, 70, 4100, 4400, 4500 (cont.)					

CLUTCH

Pilot Bearing

1989-1983	403 (6.6), 3208 Caterpillar diesel engine	
	Bearing	305DD
1989-1987	5.8, 6.1, 6.5, 8.4 diesel engines	
	Bearing	205FF
1989-1970	350, 366, 427 gas engines	
	Bearing	205FF
1989-1970	4-53, 8.2 litre Detroit Diesel engines	
	Bearing	205FF
1986-1983	6.1 diesel engine	
	Bearing	205FF
1986-1980	292 (4.8) 6-cylindergas engine	
	Bushing H/D	PB656HD
1971-1968	351, 478 engines	
	Bearing	7109
1971-1956	exc. 351, 478 engines	
	Bearing	205FF

Release Bearing

1989-1980	366 (6.0) engine with 14" clutch	
	Bearing Assy	614098
1989-1980	500 (8.2) diesel, turbodiesel: 14" clutch	
	Bearing Assy	614098
1989-1979	427 (7.0) engine with 14" clutch	
	Bearing Assy	614098
1989-1988	6.5 turbodiesel: 330mm clutch	
	Bearing Assy	614018 ⁴²
1989-1987	5.8 turbodiesel: 355mm clutch	
	Bearing Only	613009
1989-1987	6.5 turbodiesel: 355mm clutch	
	Bearing Only	613009
1989-1987	8.4 turbodiesel: 380mm clutch	
	Bearing Only	613009
1989	500 (8.2) diesel, turbodiesel: 14" clutch, 1.5" spline	
	Bearing Assy	614024
1989-1983	500 (8.2) Detroit Diesel with flat flywheel	
	Bearing Assy	614065
1989-1983	500 (8.2) Detroit Diesel with Lipe flywheel	
	Bearing Only	GE2505C
1989-1980	500 (8.2) diesel, turbodiesel: 14" clutch, 1.75" spline	
	Bearing Assy	614065
1989-1979	454 (7.4) engine with 14" clutch	
	Bearing Assy	614024
1989-1979	VT225 with 14" clutch	
	Bearing Assy	614024
1989-1977	292 (4.8) engine with 12" clutch	
	Bearing Assy	614018 ⁴²
1989-1973	432 (7.2) engine with 14" single-disc clutch	
	Bearing Assy	614024
1989-1973	3208 Caterpillar diesel engine	
	Bearing Assy	614024

CLUTCH (cont.)

Release Bearing (cont.)

1989-1967	350 (5.7) engine with 12" clutch	
	Bearing Assy	614018 ⁴²
1989-1966	350 (5.7) engine with 13" clutch	
	Bearing Only	CA02135C
1989-1966	366 (6.0) engine with 13" clutch	
	Bearing Only	CA02135C
1989-1988	6.5 diesel, turbodiesel: 330mm clutch	
	Bearing Only	613009
1989-1987	427 (7.0) engine with 14" clutch: FS6106A	
	Bearing Assy	614097
1989-1987	500 (8.2) diesel, turbodiesel: 14" clutch	
	Bearing Assy	614097
1989-1985	427 (7.0) engine with Spicer 14" clutch	
	Bearing Assy	614096
1989-1985	500 (8.2) diesel, turbodiesel: 14" Spicer 5xxx clutch	
	Bearing Assy	614096
1989-1985	636 (10.4) diesel, turbodiesel: 14" clutch, 1.75" spline	
	Bearing Assy	614065
1989-1980	427 (7.0) engine with 13" clutch	
	Bearing Only	CA02135C
1989-1980	427 (7.0) engine with 14" single-plate clutch	
	Bearing Assy	614024
1989-1980	500 (8.2) diesel, turbodiesel: 14" push-type clutch	
	Bearing Only	GE2505C
1989-1980	500 (8.2) diesel, turbodiesel: 14" Spicer 4054 clutch	
	Bearing Only	CA02135C
1989-1980	636 (10.4) diesel, turbodiesel: 14" single-plate clutch	
	Bearing Assy	614024
1988-1980	292 (4.8) engine with 3-finger clutch	
	Bearing Assy	614018 ⁴²
1987-1983	6.1 diesel: 14" single-plate clutch	
	Bearing Assy	614024
1986-1980	292 (4.8) engine with 13" diaphragm-spring clutch	
	Bearing Only	CA02135C
1986-1966	4-53 engine with 13" clutch	
	Bearing Only	CA02135C
1980	212 (3.5) diesel with 14" single-plate clutch	
	Bearing Assy	614024
1978-1973	427 (7.0) engine with 12" clutch: Clark 5-sp trans	
	Bearing Assy	614042
1978-1973	427 (7.0) engine with 12" clutch: Fuller trans	
	Bearing Only	613007
1978-1973	4-53T engine	
	Bearing Assy	614024

142 [] Indicates Quantity Required; Set Components Listed Inside Rear Cover;

⁴² Sealed Self-Aligning Bearing

CHEVROLET/GMC TRUCK - 1-1/2, 2, 2-1/2 TON - 40, 50, 60, 70, 4100, 4400, 4500 (cont.)

CLUTCH (cont.)

Release Bearing (cont.)

1978-1970	427 (7.0) engine with 12" clutch: exc. Clark trans	
	Bearing Assy	614019
1973-1972	478 (7.8) diesel with 14" clutch	
	Bearing Only	2505T
1972-1967	6V-53 engine with 14" clutch	
	Bearing Assy	614019
1970-1967	351 (5.8) engine	
	Bearing Only	200531
1966	diaphragm clutch incl. 351: exc. 400	
	Bearing Assy	614037 ⁴²
1966	coil spring clutch: exc. 351, 400	
	Bearing Assy	614018 ⁴²
1966	400 engine	
	Bearing Only	GD2005C
1966-1965	351, 478 engines	
	Bearing Only	GD2005C
1965-1962	exc. 261, 292, 327 and diesel	
	Bearing Assy	614037 ⁴²
1965-1962	261, 292, 327 engines	
	Bearing Assy	614018 ⁴²
1961-1955	all	
	Bearing Assy	614018 ⁴²
1954-1946	all	
	Bearing Assy	614037 ⁴²

DRIVESHAFT SUPPORT

1989-1980	Spicer 1710: 1.9685" (50mm) bearing ID	
	Hanger Bearing Assy	HB88510
1989-1955	Spicer 1550, 1610, 1650: 1.7717" (45mm) bearing ID: slip yoke style	
	Bearing	88509
	Hanger Bearing Assy	HB88509
1989-1955	Spicer 1550, 1610, 1650: 1.7717" (45mm) bearing ID: end yoke style	
	Bearing	88509
	Hanger Bearing Assy	HB88509A
1989-1972	Cleveland 055: 1.5748" (40mm) bearing ID, 2.250" height	
	Hanger Bearing Assy	HB88508AB
1989-1980	Spicer 1310, 1350: 1.5748" (40mm) bearing ID	
	Bearing	88508
	Hanger Bearing Assy	HB88508C
1989-1980	Rockwell 68WB axle: 1.9685 bearing ID	
	Hanger Bearing Assy	HB88510
1989-1980	Spicer 1410: 1.3780" (35mm) bearing ID	
	Bearing	88107
	Hanger Bearing Assy	HB88107A
1989-1955	Rockwell 58WB axle: 1.7717" (45mm) bearing ID	
	Bearing	88509
	Hanger Bearing Assy	HB88509B

DRIVESHAFT SUPPORT (cont.)

1988-1977	Spicer 1410: 4x4: 1.5748" (40mm) bearing ID	
	Hanger Bearing Assy	HB108
1988-1955	Spicer 1280, 1330: 1.3780" (35mm) bearing ID	
	Bearing	88107
	Hanger Bearing Assy	HB88107A
1988-1955	Spicer 1310, 1330: 1.3780" (35mm) bearing ID	
	Bearing	88107
	Hanger Bearing Assy	HB88107A
1984-1972	Spicer 1410: 1.5748" (40mm) bearing ID, 2.25" ht	
	Bearing	88508
	Hanger Bearing Assy	HB88508A
1984-1972	Spicer 1810: 2.3622" (60mm) bearing ID	
	Hanger Bearing Assy	HB88512AHD
1984-1955	Spicer 1410, 1550: 1.5748" (40mm) bearing ID, 2.5" ht	
	Bearing	88508
	Hanger Bearing Assy	HB88508
1974-1955	Spicer 1280, 1310: 1.1811" bearing ID	
	Bearing	206FF
	Hanger Bearing Assy	HB206FF

CRANKSHAFT REAR SEAL

6 Cylinder

1989-1988	6494cc/6.5L Turbo Diesel	
	Seal Viton	710349
	Kwik Slv (Opt Rpr)	KWK99413

8 Cylinder

1989-1966	366/6.0L, 427/7.0L	
	Seal Viton	2261
	Kwik Slv (Opt Rpr)	KWK99435

TIMING COVER

6 Cylinder

1989-1988	6494cc/6.5L Turbo Diesel	
	Seal Viton	710350
	Kwik Slv (Opt Rpr)	KWK99235
1986-1973	292/4.8L	
	Seal	9845
	Kwik Slv (Opt Rpr)	KWK99176

8 Cylinder

1989-1966	366/6.0L, 427/7.0L	
	Seal	3945
	Kwik Slv (Opt Rpr)	KWK99233

Bearings and Seals

Mfg./Year Model & Location Part No Mfg./Year Model & Location Part No

CHRYSLER - FRONT DRIVE - Concorde, 'E' Class, Imperial, Laser, LeBaron, LHS, New Yorker, 300M

FRONT WHEEL

1989	LeBaron (exc. Turbo)(5 stud hub)	
Seal	5604[2] ⁵⁶
Bearing	513006[2]
Hub Assy	518502[2] ⁶²
1989	LeBaron Turbo	
Seal	5604[2] ⁵⁶
Hub Assy	513075[2]
1989	Imperial, New Yorker	
Seal	5604[2] ⁵⁶
Hub Assy	513075[2]
1989	LeBaron (exc. Turbo)(4 stud hub)	
Seal	5604[2] ⁵⁶
Bearing	513006[2]
Hub Assy	518501[2] ⁶²
1988-1984	4-lug wheels	
Seal	5604[2] ⁵⁶
Bearing	513006[2]
Hub Assy	518501[2] ⁶²
1988-1984	5-lug wheels	
Seal	5604[2] ⁵⁶
Bearing	513006[2]
Hub Assy	518502[2] ⁶²
1983-1982	LeBaron, New Yorker	
Seal	5604[2] ⁵⁶
Bearing	B39[2]
Hub Assy	518500[2] ⁶²

REAR WHEEL

1989-1983		
Seal (inner)	4099[2]
Set (inner)	SET46
Cone/Cup (outer)	LM12749F-LM12711[2]
Set (outer) Opt: substitut		
non-polymer retainer set	SET16
1982		
Seal (inner)	3677[2]
Set (inner)	SET4
Set (outer)	SET2

CLUTCH

Release Bearing

1989-1986		
Bearing Assy	614066
1985-1982		
Bearing Assy	614007

AUTOMATIC TRANSAXLE

Input Shaft

1989-1982		
Seal	331228H
Kwik Slv (Opt Rpr)	KWK99149

Output Shaft

1989-1981		
Seal	3459S[2]
Kwik Slv (Opt Rpr)	KWK99157[2]

AUTOMATIC TRANSAXLE

Differential

1989-1982		
Set	SET11

Selector Shaft Seal/Man. Shaft

1988-1981		
Seal	8609

4-SPEED AUTOMATIC TRANSAXLE

Differential

1989-1988	A604-41TE	
Seal	3459S[2]
Set	SET11[2]
Kwik Slv (Opt Rpr)	KWK99157[2]

CAMSHAFT SEAL

4 Cylinder

1989	122/2.0L, 135/2.2L	
Seal	3655S
Kwik Slv (Opt Rpr)	KWK99139

1988-1986	153/2.5L	
Seal	3655S
Kwik Slv (Opt Rpr)	KWK99139

CRANKSHAFT REAR SEAL

4 Cylinder

1989-1983	135/2.2L, 153/2.5L	
Seal Viton	710056
Seal PTFE H/D Opt	5279

6 Cylinder

1989-1988		
Seal Viton	710056
Seal PTFE H/D Opt	5279

TIMING COVER

4 Cylinder

1989	135/2.2L, 153/2.5L	
Seal	3638
Kwik Slv (Opt Rpr)	KWK99112

1988-1982	135/2.2L, 153/2.5L	
Seal	3655S
Kwik Slv (Opt Rpr)	KWK99139

CHRYSLER - REAR DRIVE - C Series, Cordoba, Estate Wagon, Fifth Avenue, LeBaron, Newport, New Yorker, Royal, Saratoga, Town & Country, Windsor, 5-Passenger, 300

FRONT WHEEL

1989-1979	
Seal (inner)	5121[2]
Set (inner)	SET17
Set (outer)	SET2
1978-1975 Cordoba, LeBaron	
Seal (inner)	5121[2]
Set (inner)	SET17
Set (outer)	SET2
1978-1974 exc. Cordoba, LeBaron	
Seal (inner)	3087[2]
Set (inner)	SET11
Set (outer)	SET16
1973	
Seal (inner)	5121[2]
Set (inner)	SET17
Set (outer)	SET16
1972-1963	
Seal (inner)	8121S[2]
Set (inner)	SET6
Set (outer)	SET2
1962-1956 exc. Estate Wagon	
Seal (inner)	6840S[2]
Set (inner)	SET6
Set (outer)	SET2
1956 Estate Wagon	
Seal (inner)	6960[2]
Set (inner)	SET5
Set (outer)	SET3

REAR WHEEL

1989-1983 7.25" ring gear: 9" brakes	
Seal	8835S[2]
Cyl. Bearing	6408[2]
Kit	TRP1559TV[2] ¹⁹
1989-1973 8.25" ring gear	
Seal	8835S[2]
Cyl. Bearing	6408[2]
Kit	TRP1559TV[2] ¹⁹
1981-1973 7.25" ring gear: 9-bolt housing cover	
Seal	8660S[2]
Bearing	RWC35YYR[2]
1981-1973 9.25" ring gear	
Seal	8835S[2]
Cyl. Bearing	6408[2]
Kit	TRP1559TV[2] ¹⁹
1974-1973 8.75" ring gear	
Seal (LH)	8704S
Acc. Pkg (LH)	A7LK ⁴⁶
Seal (RH)	8704S
Acc. Pkg (RH)	A7RK ⁴⁶
1972-1965	
Seal (LH)	8704S
Acc. Pkg (LH)	A7LK ⁴⁶
Seal (RH)	8704S
Acc. Pkg (RH)	A7RK ⁴⁶

REAR WHEEL (cont.)

1964-1963	
Seal	8133S[2]
Cone/Cup	25877-25821[2]
1962-1960	
Seal	6241S[2]
Cone/Cup	25877-25821[2]
1959-1957 exc. 300	
Seal	6241S[2]
Cone/Cup	25877-25821[2]
1959-1957 300	
Seal	7886S[2]
Cone/Cup	25877-25821[2]
1956-1953 8-Passenger and Estate Wagon	
Seal	6966S[2]
Cone/Cup	2780-2735X[2]
1956-1951 exc. 8-Passenger & Estate Wagon	
Seal	6241S[2]
Cone/Cup	25877-25821[2]
1950-1941 Royal, Windsor, 5-Passenger	
Seal	6241S[2]
Cone/Cup	25877-25821[2]

REAR AXLE

Differential Rebuild Kit

1989-1980 7.25" ring gear	
Kit	DRK302
1989-1980 8.25" ring gear	
Kit	DRK303
1981-1980 9.25" ring gear	
Kit	DRK304
1968-1957 8.75" ring gear: 1.75" pinion shaft	
Kit	DRK300
1968-1957 8.75" ring gear: 1.875" pinion shaft	
Kit	DRK301

Differential

1989-1980 7.25" ring gear	
Set	SET45
1989-1975 8.25" ring gear from late 1975	
Set	SET36
1981-1974 9.25" ring gear	
Cone/Cup	JLM704649-JLM704610[2]
1975-1973 8.25" ring gear to early 1975	
Set	SET47
1973 8.75" ring gear	
Cone/Cup	LM104949-LM104912[2]
1972-1969 all	
Cone/Cup	LM104949-LM104912[2]
1968 8.75" ring gear w/o Sure Grip	
Cone/Cup	LM104949-LM104912[2]
1968 9.25" ring gear	
Cone/Cup	25590-25520[2]
1968-1958 8.75" ring gear with Sure Grip	
Cone/Cup	25590-25520[2]

[] Indicates Quantity Required; Set Components Listed Inside Rear Cover;

¹⁹ Opt. Axle Repair Bearing. Replaces O.E. bearing & seal.
8695S, 8704S

⁴⁶ Opt. Kit incl: Metal & Foam gskt, Retainer,

Bearings and Seals

Mfg./Year Model & Location Part No Mfg./Year Model & Location Part No

CHRYSLER - REAR DRIVE - C Series, Cordoba, Estate Wagon, Fifth Avenue, LeBaron, Newport, New Yorker, Royal, Saratoga, Town & Country, Windsor, 5-Passenger, 300 (cont.)

REAR AXLE (cont.)

Differential (cont.)

1957-1946
Cone/Cup 25580-25520[2]

Pinion

1989-1977 7.25" ring gear
Cone/Cup (inner) HM88649-HM88610
Seal (outer) 8516N
Cone/Cup (outer) M86649-M86610

1988-1974 8.25" ring gear
Cone/Cup (inner) M802048-M802011
Seal (outer) 8516N
Cone/Cup (outer) M86649-M86610

1981-1970 8.75" ring gear
Cone/Cup (inner) M804049-M804010
Seal (outer) 5126
Cone/Cup (outer) M88048-M88010

1981-1970 9.25" ring gear
Cone/Cup (inner) M804049-M804010
Seal (outer) 5126
Cone/Cup (outer) M88048-M88010

1972-1968 1.875" shaft
Cone/Cup (inner) M804049-M804010
Seal (outer) 8516N
Cone/Cup (outer) M88048-M88010

1971-1967 1.375" shaft
Cone/Cup (inner) HM89446-HM89410
Seal (outer) 8516N
Cone/Cup (outer) M88048-M88010

1969-1968 1.75" shaft
Cone/Cup (inner) M804049-M804010
Seal (outer) 7216
Cone/Cup (outer) HM89443-HM89410

1967-1962 1.75" shaft
Cone/Cup (inner) HM803149-HM803110
Seal (outer) 7216
Cone/Cup (outer) HM89443-HM89410

1965-1962 1.375" shaft
Cone/Cup (inner) HM89446-HM89410
Seal (outer) 5126
Cone/Cup (outer) M88048-M88010

1962-1959 some Canadian models
Cone/Cup (inner) HM803149-HM803110
Seal (outer) 5162
Cone/Cup (outer) M88048-M88010

1961-1959 U.S. models
Cone/Cup (inner) HM803149-HM803110
Seal (outer) 7261
Cone/Cup (outer) HM89443-HM89410

1958 exc. Windsor, Saratoga
Cone/Cup (inner) HM803149-HM803110
Cone/Cup (outer) HM89443-HM89410

1958 Windsor, Saratoga
Cone/Cup (inner) HM89446-HM89410
Cone/Cup (outer) HM89443-HM89410

REAR AXLE (cont.)

Pinion (cont.)

1957
Cone/Cup (inner) HM89446-HM89410
Cone/Cup (outer) HM89443-HM89410

1956-1955 exc. Windsor, 5-Passenger
Cone/Cup (inner) HM803149-HM803110
Cone/Cup (outer) HM801346-HM801310

1956-1955 Windsor, 5-Passenger
Cone/Cup (inner) HM89446-HM89410
Cone/Cup (outer) HM89443-HM89410

AUTOMATIC TRANSMISSION

Torque Converter

1961-1953 Power-flite: 2-speed
Seal 6879H
Kwik Slv (Opt Rpr) KWK99212

Rear Seal/Ext. Housing

1956-1946 Power-flite: 2-speed
Seal 8160S
Bearing 2061

Selector Shaft Seal/Man. Shaft

1956-1953 Power-flite: 2-speed
Seal 470018
Kwik Slv (Opt Rpr) KWK99062

Input Shaft

1953-1946 Power-flite: 2-speed
Bearing 1307SLI

Output Shaft

1953-1946 Power-flite: 2-speed
Bearing 307TB

3-SPEED AUTOMATIC TRANSMISSION

Torque Converter

1989-1974 A904, A999
Seal 331228H
Kwik Slv (Opt Rpr) KWK99149

1989-1961 A727
Seal 331227H
Kwik Slv (Opt Rpr) KWK99187

1961-1956 Torque-Flite
Seal 6879H
Kwik Slv (Opt Rpr) KWK99212

CHRYSLER - REAR DRIVE - C Series, Cordoba, Estate Wagon, Fifth Avenue, LeBaron, Newport, New Yorker, Royal, Saratoga, Town & Country, Windsor, 5-Passenger, 300 (cont.)

3-SPEED AUTOMATIC TRANSMISSION

Rear Seal/Ext. Housing

1989-1973	A904, A999	
Seal		2506
Bearing		206LOE ³⁸
1989-1961	A727: 1-pc driveshaft	
Seal		7300S
Bearing		207XLO
Seal Kit Opt.		5206 ⁶⁴
1979-1961	A727: 2-pc driveshaft	
Seal		8160S
Bearing		2061
1961-1956	Torque-Flite	
Seal		330663
Bearing		2061

Selector Shaft Seal/Man. Shaft

1989-1974	A904, A999	
Seal		8609

CLUTCH

Pilot Bearing

1971-1946		
Bushing		PB286
Bushing H/D		PB286HD

Release Bearing

1979-1965	exc. 426, 440 engines	
Bearing Assy		614036
1972-1966	426 engine with 11" clutch	
Bearing Only		PO1666C ²⁰
1972-1966	440 engine with 11" clutch	
Bearing Only		DP1625C
1964	361 engine	
Bearing Assy		614036
1964-1961	exc. 361 engine	
Bearing Only		PE1605C ²⁰
1957		
Bearing Only		PD1605C ²⁰
1956-1955		
Bearing Only		PC1605C ²⁰
1954-1953		
Bearing Only		PA1605C ²⁰
1952-1951	C51 Windsor: Conventional drive	
Bearing Only		P1605C ²⁰
1952-1951	C51 Windsor: Fluid Drive	
Bearing Only		1972C ²⁰
1952-1951	C52 New Yorker, C54 Imperial: Torque conv.	
Bearing Only		CB1304C ²⁰
1952-1951	C52 New Yorker, C54 Imperial: w/o T. conv.	
Bearing Only		C1972C
1952-1951	C53 Crown Imperial	
Bearing Only		CB1304C ²⁰
1950	C48 Royal, Windsor	
Bearing Only		P1605C ²⁰

CLUTCH (cont.)

Release Bearing (cont.)

1950	C49, C50 Imperial	
Bearing Only		1972C ²⁰
1949-1946	Fluid Drive	
Bearing Only		1972C ²⁰
1949-1941	Conventional Drive	
Bearing Only		CB1310C ²⁰
1940-1938	Conventional Drive	
Bearing Only		CB1309C
1940-1938	Fluid Drive	
Bearing Only		CB1311C ²⁰
1938-1936	C9, 10, 11, 15, 17, 20	
Bearing Only		CB1308C ²⁰
1937-1936	C7, 8, 14, 16, 16X	
Bearing Only		CB1094C ²⁰

3-SPEED MANUAL TRANSMISSION

Front Input Shaft

1973-1970	A230 New Process	
Seal		9376
Bearing		307LI
1970-1960	A745 New Process: 23-spline shaft	
Seal		9376
Bearing		307LI
1970-1960	A745 New Process: 10-spline shaft	
Seal		353135
Bearing		307LI
Kwik Slv (Opt Rpr)		KWK99125
1957	A903 New Process	
Seal		9376
Bearing		1207L
1957-1942	Chrysler L/D	
Bearing		1207L

Mainshaft Pilot

1970-1961	New Process A230, A745	
Needle Bearing		QBR23549[15]
1957	A903 New Process	
Needle Bearing		QBR23549[15]
1957-1946	Chrysler L/D	
Needle Bearing		QBR23549[14]

Rear Output Shaft

1970	A230 New Process: 30-spline short shaft	
Seal		7300S
Bearing		1307
Seal Kit Opt.		5206 ⁶⁴
1970	A230 New Process: 26-spline long shaft	
Seal		2506
Bearing		307L

[] Indicates Quantity Required; Set Components Listed Inside Rear Cover;

²⁰ Not currently in production; check for availability

³⁸ Use Old Snap Ring

⁶⁴ Opt. Seal and

Bushing Kit

Bearings and Seals

Mfg./Year Model & Location Part No Mfg./Year Model & Location Part No

CHRYSLER - REAR DRIVE - C Series, Cordoba, Estate Wagon, Fifth Avenue, LeBaron, Newport, New Yorker, Royal, Saratoga, Town & Country, Windsor, 5-Passenger, 300 (cont.)

3-SPEED MANUAL TRANSMISSION (cont.)

Rear Output Shaft (cont.)

1970-1966	A745 New Process: 26-spline shaft	
Seal	8935S	
Bearing	1307	
Seal Kit Opt.	5207 ⁶⁴	
1970-1960	A745 New Process: 30-spline shaft	
Seal	7300S	
Bearing	1307	
Seal Kit Opt.	5206 ⁶⁴	
1970-1960	A745 New Process: 23-spline shaft	
Seal	8160S	
Bearing	2061	
1957	A903 New Process	
Seal	8160S	
Bearing	1207L	
1957-1942	Chrysler L/D	
Seal	8160S	
Bearing	1207L	

Reverse Idler

1970-1961	New Process A230, A745	
Needle Bearing	C1086Q[22]	
1957	A903 New Process	
Needle Bearing	C1086Q[22]	
1957-1946	Chrysler L/D	
Needle Bearing	C1086Q[22]	

Selector Shaft Seal/Man. Shaft

1979-1955		
Seal	7188S	

4-SPEED MANUAL TRANSMISSION

Input Shaft

1965-1964	A833 New Process: 18-spline shaft	
Seal	9487	
Bearing	307L	
Kwik Slv (Opt Rpr)	KWK99118	

Mainshaft Pilot

1965-1964	A833 New Process	
Needle Bearing	QBR23549[16]	

4-SPEED MANUAL TRANSMISSION

Rear Output Shaft

1965-1964	A833 New Process: 30-spline shaft	
Seal	7300S	
Bearing	308LOE	
Seal Kit	5206 ⁶⁴	
1965-1964	A833 New Process: 26-spline shaft	
Seal	2506	
Bearing	307TB	
1965-1964	A833 New Process: 23-spline shaft	
Seal	8160S	
Bearing	2061	

ALTERNATOR

1983-1974	86,100,114 Amp	
Bearing (drive end)	303SS	
1983-1963	34,41,50,60,65,78 Amp	
Bearing (drive end)	203FF	
1983-1960	34,41,50,60,65,78 Amp	
Bearing (rear end)	MNJ471S	
1962-1960		
Bearing (drive end)	203S	

DRIVESHAFT SUPPORT

1966-1965		
Needle Bearing	X908CC	
1964-1956		
Bearing	107DD	
1955-1953		
Bearing	206FF	
1952-1946		
Bearing	207S	

POWER STEERING

Pump Shaft

1983-1969		
Seal	70135	
1968-1958	Eaton pump	
Seal	8773S	
1957-1951	Eaton pump	
Seal	6835S	
Bearing	203FF	

Worm Shaft

1983-1958	Chrysler design	
Seal	7188S	

MANUAL STEERING

Column

1958-1949		
Seal	470567	

Mfg./Year Model & Location Part No Mfg./Year Model & Location Part No

CHRYSLER - REAR DRIVE - C Series, Cordoba, Estate Wagon, Fifth Avenue, LeBaron, Newport, New Yorker, Royal, Saratoga, Town & Country, Windsor, 5-Passenger, 300 (cont.)

MANUAL STEERING

Sector Shaft

1971-1955	Chrysler design	
Seal	6859S
1954-1946		
Seal	240356

Worm Shaft

1979-1962	Chrysler design	
Seal	7214
Bearing	8572[2]
1961-1959		
Seal	470567
1958-1955		
Seal	41267S
1954-1949		
Seal	41267S
Cone/Cup	A4059-A4138[2]

CRANKSHAFT REAR SEAL

6 Cylinder

1983-1979	225/3.7L	
Seal	5650
1954-1952	265/4.3L	
Seal	221410

8 Cylinder

1989-1979	318/5.2L	
Seal	5414
1978-1959	383/6.3, 400/6.6, 413/6.7, 440/7.2	
Seal	5576

CRANKSHAFT REAR SEAL (cont.)

8 Cylinder (cont.)

1964-1961	360/5.9L	
Seal	5414
1959-1951	301/4.9, 331/5.4, 354/5.8, 392/6.4	
Seal	5414

TIMING COVER

6 Cylinder

1983-1979	225/3.7L	
Seal	3095
Kwik Slv (Opt Rpr)	KWK99226
1954-1952	265/4.3L	
Seal	6636S

8 Cylinder

1989-1951		
Seal	3103
Kwik Slv (Opt Rpr)	KWK99218
Harmonic Balancer		
Sleeves Opt.	88218

CHRYSLER - REAR DRIVE - Imperial

FRONT WHEEL

1983-1981		
Seal (inner)	5121[2]
Set (inner)	SET17
Set (outer)	SET2
1975-1974		
Seal (inner)	3087[2]
Set (inner)	SET11
Set (outer)	SET16
1973-1963		
Seal (inner)	8473S[2]
Set (inner)	SET5
Set (outer)	SET3
1962-1956		
Seal (inner)	6960[2]
Set (inner)	SET5
Set (outer)	SET3

REAR WHEEL

1983-1974		
Seal	8835S[2]
Cyl. Bearing	6408[2]
Kit	TRP1559TV[2] ¹⁹
1973-1965		
Seal (LH)	8704S
Acc. Pkg (LH)	A7LK ⁴⁶
Seal (RH)	8704S
Acc. Pkg (RH)	A7RK ⁴⁶
1964-1963		
Seal	8597S[2]
Cone/Cup	2788A-2735X[2]
1962-1957		
Seal	7886S[2]
Cone/Cup	2788A-2735X[2]
1955-1953	Custom	
Seal	6966S[2]
Cone/Cup	2780-2735X[2]
1952-1951	C-54	
Cone/Cup	2780-2736[2]

[] Indicates Quantity Required; Set Components Listed Inside Rear Cover;

¹⁹ Opt. Axle Repair Bearing. Replaces O.E. bearing & seal.
8695S, 8704S

⁴⁶ Opt. Kit incl: Metal & Foam gskt, Retainer,

Bearings and Seals

Mfg./Year Model & Location Part No Mfg./Year Model & Location Part No

CHRYSLER - REAR DRIVE - Imperial (cont.)

REAR AXLE

Differential Rebuild Kit

1983-1980	7.25" ring gear Kit	DRK302
1983-1980	8.25" ring gear Kit	DRK303
1981-1980	9.25" ring gear Kit	DRK304
1968-1957	8.75" ring gear: 1.75" pinion shaft Kit	DRK300
1968-1957	8.75" ring gear: 1.875" pinion shaft Kit	DRK301

Differential

1983-1980	7.25" ring gear Set	SET45
1983-1975	8.25" ring gear from late 1975 Set	SET36
1981-1974	9.25" ring gear Cone/Cup	JLM704649-JLM704610[2]
1975-1973	8.25" ring gear to early 1975 Set	SET47
1973	8.75" ring gear Cone/Cup	LM104949-LM104912[2]
1972-1969	all Cone/Cup	LM104949-LM104912[2]
1968	8.75" ring gear w/o Sure Grip Cone/Cup	LM104949-LM104912[2]
1968	9.25" ring gear Cone/Cup	25590-25520[2]
1968-1958	8.75" ring gear with Sure Grip Cone/Cup	25590-25520[2]
1957	Cone/Cup	25580-25520[2]

Pinion

1983-1981	Cone/Cup (inner)	M802048-M802011
	Seal (outer)	8516N
	Cone/Cup (outer)	M86649-M86610
1975-1970	Cone/Cup (inner)	M804049-M804010
	Seal (outer)	5126
	Cone/Cup (outer)	M88048-M88010
1969	Cone/Cup (inner)	M804049-M804010
	Seal (outer)	8515N
	Cone/Cup (outer)	M88048-M88010
1968-1957	Cone/Cup (inner)	HM803149-HM803110
	Seal (outer)	7216
	Cone/Cup (outer)	HM89443-HM89410
1956-1955	Custom Cone/Cup (inner)	HM803149-HM803110
	Cone/Cup (outer)	HM801346-HM801310
1956-1953	Crown Cone/Cup (inner)	59187-59412
	Cone/Cup (outer)	HM89443-HM89410

AUTOMATIC TRANSMISSION

Torque Converter

1961-1953	Power-flite: 2-speed Seal	6879H
	Kwik Slv (Opt Rpr)	KWK99212

Rear Seal/Ext. Housing

1955-1946	Power-flite: 2-speed Seal	8160S
	Bearing	2061

Selector Shaft Seal/Man. Shaft

1955-1953	Power-flite: 2-speed Seal	470018
	Kwik Slv (Opt Rpr)	KWK99062

Input Shaft

1953-1946	Power-flite: 2-speed Bearing	1307SLI
------------------	---------------------------------------	---------

Output Shaft

1953-1946	Power-flite: 2-speed Bearing	307TB
------------------	---------------------------------------	-------

3-SPEED AUTOMATIC TRANSMISSION

Torque Converter

1983-1974	A904, A999 Seal	331228H
	Kwik Slv (Opt Rpr)	KWK99149
1983-1961	A727 Seal	331227H
	Kwik Slv (Opt Rpr)	KWK99187
1961-1957	Torque-Flite Seal	6879H
	Kwik Slv (Opt Rpr)	KWK99212

Rear Seal/Ext. Housing

1983-1973	A904, A999 Seal	2506
	Bearing	206LOE ³⁸
1983-1961	A727: 1-pc driveshaft Seal	7300S
	Bearing	207XLO
	Seal Kit Opt.	5206 ⁶⁴
1975-1961	A727: 2-pc driveshaft Seal	8160S
	Bearing	2061
1961-1956	Torque-Flite Seal	330663
	Bearing	2061

Selector Shaft Seal/Man. Shaft

1983-1974	A904, A999 Seal	8609
------------------	--------------------------	------

150 [] Indicates Quantity Required; Set Components Listed Inside Rear Cover;

³⁸ Use Old Snap Ring ⁶⁴ Opt. Seal and Bushing Kit

CHRYSLER - REAR DRIVE - Imperial (cont.)

CLUTCH

Pilot Bearing

1971-1946	
Bushing	PB286
Bushing H/D	PB286HD

Release Bearing

1979-1965	exc. 1966-1972, 426, 440 engines with 11" clutch	
Bearing Assy		614036
1972-1966	426 engine with 11" clutch	
Bearing Only		PO1666C ²⁰
1972-1966	440 engine with 11" clutch	
Bearing Only		DP1625C
1964	361 engine	
Bearing Assy		614036
1964-1961	exc. 1964, 361 engine	
Bearing Only		PE1605C ²⁰
1957		
Bearing Only		PD1605C ²⁰
1956-1955		
Bearing Only		PC1605C ²⁰
1954-1953		
Bearing Only		PA1605C ²⁰
1952-1951	C54 Imperial, C53 Crown Imperial: torque converter.	
Bearing Only		CB1304C ²⁰
1952-1951	C54 Imperial: w/o torque converter.	
Bearing Only		C1972C
1950	C49, C50 Imperial	
Bearing Only		1972C ²⁰

3-SPEED MANUAL TRANSMISSION

Front Input Shaft

1973-1970	A230 New Process	
Seal		9376
Bearing		307LI
1970-1960	A745 New Process: 23-spline shaft	
Seal		9376
Bearing		307LI
1970-1960	A745 New Process: 10-spline shaft	
Seal		353135
Bearing		307LI
Kwik Slv (Opt Rpr)		KWK99125
1957	A903 New Process	
Seal		9376
Bearing		1207L
1957-1950	Chrysler L/D	
Bearing		1207L

Mainshaft Pilot

1957-1946	Chrysler L/D; New Process A903	
Needle Bearing		C1086Q[44]

3-SPEED MANUAL TRANSMISSION

Rear Output Shaft

1970	A230 New Process: 30-spline short shaft	
Seal		7300S
Bearing		1307
Seal Kit Opt.		5206 ⁶⁴
1970	A230 New Process: 26-spline long shaft	
Seal		2506
Bearing		307L
1970-1966	A745 New Process: 26-spline shaft	
Seal		8935S
Bearing		1307
Seal Kit Opt.		5207 ⁶⁴
1970-1960	A745 New Process: 30-spline shaft	
Seal		7300S
Bearing		1307
Seal Kit Opt.		5206 ⁶⁴
1970-1960	A745 New Process: 23-spline shaft	
Seal		8160S
Bearing		2061
1957	A903 New Process	
Seal		8160S
Bearing		1207L
1957-1942	Chrysler L/D	
Seal		8160S
Bearing		1207L

Reverse Idler

1970-1946	Chrysler L/D; New Process A230, A745, A903	
Needle Bearing		C1086Q[22]

Selector Shaft Seal/Man. Shaft

1970-1955		
Seal		7188S
Kwik Slv (Opt Rpr)		KWK99062

4-SPEED MANUAL TRANSMISSION

Input Shaft

1965-1964	A833 New Process: 18-spline shaft	
Seal		9487
Bearing		307L
Kwik Slv (Opt Rpr)		KWK99118

Mainshaft Pilot

1965-1964	A833 New Process	
Needle Bearing		QBR23549[16]

[] Indicates Quantity Required; Set Components Listed Inside Rear Cover;

²⁰ Not currently in production; check for availability ⁶⁴ Opt. Seal and Bushing Kit

Bearings and Seals

Mfg./Year Model & Location Part No Mfg./Year Model & Location Part No

CHRYSLER - REAR DRIVE - Imperial (cont.)

4-SPEED MANUAL TRANSMISSION

Rear Output Shaft

1965-1964	A833 New Process: 30-spline shaft	
Seal		7300S
Bearing		308LOE
Seal Kit		5206 ⁶⁴
1965-1964	A833 New Process: 26-spline shaft	
Seal		2506
Bearing		307TB
1965-1964	A833 New Process: 23-spline shaft	
Seal		8160S
Bearing		2061

ALTERNATOR

1983-1974	86,100,114 Amp	
Bearing (drive end)		303SS
1983-1963	34,41,50,60,65,78 Amp	
Bearing (drive end)		203FF
1983-1960	34,41,50,60,65,78 Amp	
Bearing (rear end)		MNJ471S
1962-1960		
Bearing (drive end)		203S

DRIVESHAFT SUPPORT

1966-1965		
Needle Bearing		X908CC
1964-1957		
Bearing		107DD
1955-1953		
Bearing		206FF
1952-1946		
Bearing		207S

POWER STEERING

Pump Shaft

1975-1962	Manual Steering Worm Shaft - Chrysler design	
Seal		7214
Bearing		8572

Worm Shaft

1983-1958	Chrysler design	
Seal		7188S

MANUAL STEERING

Column

1958-1949		
Seal		470567

Sector Shaft

1971-1955	Chrysler design	
Seal		6859S
1954-1946		
Seal		240356

Worm Shaft

1971-1962	Chrysler design	
Seal		7214
Bearing		8572[2]
1961-1959		
Seal		470567
1958-1955		
Seal		41267S
1954-1949		
Seal		41267S
Cone/Cup		A4059-A4138[2]

CRANKSHAFT REAR SEAL

8 Cylinder

1983-1981	318/5.2L	
Seal		5414
1975-1959	383/6.3, 400/6.6, 413/6.7, 440/7.2	
Seal		5576
1959-1951	301/4.9, 331/5.4, 354/5.8, 392/6.4	
Seal		5414

TIMING COVER

8 Cylinder

1983-1951		
Seal		3103
Kwik Slv (Opt Rpr)		KWK99218
Harmonic Balancer		
Sleeves Opt.		88218

CHRYSLER TRUCK - MINIVAN, AWD MINIVAN - Town & Country Van, Voyager from 2000 (see also Plymouth)

FRONT WHEEL

1989-1988	14" wheels	
Seal		5604[2] ⁵⁶
Bearing		513006[2]
Hub Assy Opt:bolt-on		
4-lug		518501[2] ⁶²

FRONT WHEEL (cont.)

1989-1988	14" wheels	
Seal		5604[2] ⁵⁶
Bearing		513006[2]
Hub Assy Opt:bolt-on		
5-lug		518502[2] ⁶²
1988	15" wheels	
Hub Assy		HA590197[2] ⁴⁵

152 [] Indicates Quantity Required; Set Components Listed Inside Rear Cover;

⁴⁵ Bearing Flange has Non-Threaded Mounting Holes ⁵⁶ Opt. Kit incl: Seal 3948 & Sleeve ⁶² Kit incl:

Hub & Bearing, Seal, Mounting Bolts ⁶⁴ Opt. Seal and Bushing Kit

CHRYSLER TRUCK - MINIVAN, AWD MINIVAN - Town & Country Van, Voyager from 2000 (see also Plymouth) (cont.)

REAR WHEEL

1989
 Seal (inner) 4249[2]
 Set (inner) SET17
 Cone/Cup (outer) LM12749F-LM12711[2]
 Set (outer) Opt: substitut
 non-polymer retainer set SET16

3-SPEED AUTOMATIC TRANSAXLE

Output Shaft

1989
 Set SET17[2]

Differential

1989 A404
 Cone/Cup JL69349H-JL69310[2]
1989 A413
 Seal 3459S[2]
 Set SET11
 Kwik Slv (Opt Rpr) KWK99157[2]

Selector Shaft Seal/Man. Shaft

1989
 Seal 8609

4-SPEED AUTOMATIC TRANSAXLE

Differential

1989 A604, A670
 Set SET11

Torque Convertor

1989
 Seal 331228H
 Kwik Slv (Opt Rpr) KWK99149

Transfer Shaft

1989 A604, A670
 Set SET11

4-SPEED AUTOMATIC TRANSAXLE

Output Shaft

1989 A604, A670
 Seal 3459S[2]
 Set SET17[2]

Selector Shaft Seal/Man. Shaft

1989
 Seal 8609

POWER STEERING

Pump Shaft

1989-1988
 Seal 7013S

Worm Shaft

1989-1988
 Seal 7188S

CRANE-CARRIER TRUCK

DRIVESHAFT SUPPORT

1979-1967 Spicer 1600 series joints
 Hanger Bearing Assy HB88509

Bearings and Seals

Mfg./Year Model & Location Part No Mfg./Year Model & Location Part No

CROSLLEY

FRONT WHEEL

1952-1946 all
 Seal (inner) 6545[2]
 Cone/Cup (inner) 1380-1328[2]
 Cone/Cup (outer) 17580-17520[2]

REAR WHEEL

1952-1946 all
 Cone/Cup 15575T-15520[2]

REAR AXLE

Differential

1952-1946
 Cone/Cup 14138A-14277[2]

REAR AXLE

Pinion

1952-1946
 Cone/Cup 1380-1328

CLUTCH

Release Bearing

1952-1946 all
 Bearing Only C1697C

CUSHMAN

CLUTCH

Release Bearing

1974-1960 all
 Bearing Only CB1346C

DACIA

FRONT WHEEL

1989-1986 all
 Bearing (inner) 207F[2]
 Bearing (outer) 207F[2]

CLUTCH

Pilot Bearing

1989-1986 all
 Bearing 203SS

CLUTCH

Release Bearing

1989-1986 all
 Bearing Assy 614012

DAIHATSU - Charade

FRONT WHEEL

1989 Charade: production from 1/1989 on
 Bearing 510012[2]
 1988 Charade: production thru 12/1988
 Seal 1216N[2]
 Bearing 510014[2]

REAR WHEEL

1989-1988 Charade 2-door
 Bearing (inner) 205F[2]
 Bearing (outer) 303BB[2]
 1989-1988 Charade 4-door
 Hub Assy 512007[2]

CLUTCH

Release Bearing

1989-1988
 Bearing Assy 614110

3-SPEED AUTOMATIC TRANSAXLE

Torque Converter

1989-1988 Aisin A210
 Seal 223830
 Kwik Slv (Opt Rpr) KWK99147

DAIHATSU - Charade (cont.)

3-SPEED AUTOMATIC TRANSAXLE

Output Shaft

1989-1988 Aisin A210
 Seal 223540[2]
 Kwik Slv (Opt Rpr)KWK99139[2]

Differential

1989-1988 Aisin A210
 Bearing 207S[2]

Selector Shaft Seal/Man. Shaft

1989-1988 Aisin A210
 Seal 710116

MANUAL STEERING

Pitman Shaft

1989-1988
 Bearing 202AG

CAMSHAFT SEAL

3 Cylinder

1989-1988 993cc/1.0L
 Seal 712008
 Kwik Slv (Opt Rpr)KWK99111

4 Cylinder

1989 1295cc/1.3L
 Seal 223800

CRANKSHAFT REAR SEAL

3 Cylinder

1989-1988 993cc/1.0L
 Seal 710271

4 Cylinder

1989 1295cc/1.3L
 Seal 228009
 Kwik Slv (Opt Rpr)KWK99313

TIMING COVER

3 Cylinder

1989-1988 993cc/1.0L
 Seal 223420

4 Cylinder

1989 1295cc/1.3L
 Seal 223420

DELOREAN

CLUTCH

Release Bearing

1983-1979 all
 Bearing Assy 614025

3-SPEED AUTOMATIC TRANSAXLE

Torque Converter

1983-1981
 Seal 223010
 Kwik Slv (Opt Rpr)KWK99114

Output Shaft

1983-1981
 Seal 1962[2]
 Kwik Slv (Opt Rpr)KWK99177[2]

CRANKSHAFT FRONT SEAL

6 Cylinder

1983-1981 2849cc/2.8L
 Seal 228010
 Kwik Slv (Opt Rpr)KWK99315

TIMING COVER

6 Cylinder

1983-1981 2849cc/2.8L
 Seal 224252
 Kwik Slv (Opt Rpr)KWK99169

Bearings and Seals

Mfg./Year Model & Location Part No Mfg./Year Model & Location Part No

DESOTO - Estate Wagon, Firedome, Fireflite, Firesweep, S-Series

FRONT WHEEL

1961-1959	all	
Seal (inner)	6840S[2]
Set (inner)	SET6
Set (outer)	SET2
1958-1955	exc. 8 Passenger, Estate Wagon late 1955 on	
Seal (inner)	6840S[2]
Set (inner)	SET6
Set (outer)	SET2
1956	8-Passenger, Estate Wagon	
Seal (inner)	6960[2]
Set (inner)	SET5
Set (outer)	SET3
1955	S-21, S-22 exc. Wagon early	
Cone/Cup (inner)	15123-15245[2]
Cone/Cup (outer)	09067-09195[2]
1954-1951	5-Passenger	
Cone/Cup (inner)	15123-15245[2]
Cone/Cup (outer)	09067-09195[2]
1950-1949	5-Passenger: S-13, 14	
Cone/Cup (inner)	15123-15245[2]
Cone/Cup (outer)	09067-09195[2]
1948-1941	5-Passenger: S-8, 10, 11	
Cone/Cup (inner)	14125A-14276[2]
Cone/Cup (outer)	09074-09194[2]
1942-1941	8-Passenger: S-8, 10	
Cone/Cup (inner)	14125A-14276[2]
Cone/Cup (outer)	09074-09194[2]

REAR WHEEL

1961-1959	all	
Seal	6241S[2]
Cone/Cup	25877-25821[2]
1956-1955	Estate Wagon	
Seal	6966S[2]
Cone/Cup	2780-2735X[2]
1948-1941	exc. 8-Passenger and Estate Wagon	
Seal	6241S[2]
Cone/Cup	25877-25821[2]

REAR AXLE

Differential Rebuild Kit

1961-1946	8.75" ring gear: 1.75" pinion shaft OD	
Kit	DRK300

Differential

1961-1958	all	
Cone/Cup	25590-25520[2]
1957-1946	all	
Cone/Cup	25580-25520[2]

REAR AXLE

Pinion

1961-1959	some Canadian models	
Cone/Cup (inner)	HM803149-HM803110
Seal (outer)	5162
Cone/Cup (outer)	M88048-M88010
1961-1959	U.S. models	
Cone/Cup (inner)	HM803149-HM803110
Seal (outer)	7261
Cone/Cup (outer)	HM89443-HM89410
1958	exc. Windsor, Saratoga	
Cone/Cup (inner)	HM803149-HM803110
Cone/Cup (outer)	HM89443-HM89410
1957	all	
Cone/Cup (inner)	HM89446-HM89410
Cone/Cup (outer)	HM89443-HM89410
1956-1955	all	
Cone/Cup (inner)	HM803149-HM803110
Cone/Cup (outer)	HM803146-HM803110

CLUTCH

Release Bearing

1961-1960	all	
Bearing Only	PE1605C ²⁰
1959-1957	all	
Bearing Only	PD1605C ²⁰
1956-1955	all	
Bearing Only	PC1605C ²⁰
1954-1953	exc. Torque converter	
Bearing Only	PA1605C ²⁰
1953	with Torque converter.	
Bearing Only	C1972C
1952-1941	exc. Fluid Drive	
Bearing Only	P1605C ²⁰
1952-1941	Fluid Drive	
Bearing Only	1972C ²⁰

156 [] Indicates Quantity Required; Set Components Listed Inside Rear Cover;

²⁰ Not currently in production; check for availability

Mfg./Year Model & Location Part No Mfg./Year Model & Location Part No

DIVCO

CLUTCH

Release Bearing

1970-1950 all
Bearing Only F02256C

DKW

FRONT WHEEL

1962-1960 Junior, 750
Bearing (inner) 305AG[2]
Bearing (outer) 107WB[2]

REAR WHEEL

1962-1960 Junior, 750
Bearing (inner) 205F[2]
Bearing (outer) 204[2]
1962-1958 AU1000
Bearing (inner) 206WB[2]
Bearing (outer) 204[2]

REAR WHEEL (cont.)

1958 3-6
Bearing (inner) 206WB[2]
Bearing (outer) 304WB[2]

DODGE - FRONT DRIVE - Aries, Daytona, Dynasty, Lancer, Shadow, Spirit, 600

FRONT WHEEL

1989 Daytona: 14" wheels
Seal 5604[2]⁵⁶
Bearing 513006[2]
Hub Assy 518502[2]⁶²
1989 Daytona: 15" and 16" wheels
Seal 5604[2]⁵⁶
Hub Assy 513075[2]
1989 Dynasty
Seal 5604[2]⁵⁶
Hub Assy 513075[2]
1989 5-lug wheels
Seal 5604[2]⁵⁶
Bearing 513006[2]
Hub Assy 518502[2]⁶²
1989 4-lug wheels
Seal 5604[2]⁵⁶
Bearing 513006[2]
Hub Assy 518501[2]⁶²
1988-1984 4-lug wheels
Seal 5604[2]⁵⁶
Bearing 513006[2]
Hub Assy 518501[2]⁶²
1988-1984 5-lug wheels
Seal 5604[2]⁵⁶
Bearing 513006[2]
Hub Assy 518502[2]⁶²
1983-1981
Seal 5604[2]⁵⁶
Bearing B39[2]
Hub Assy 518500[2]⁶²

REAR WHEEL

1989-1983 all
Seal (inner) 4099[2]
Set (inner) SET46
Cone/Cup (outer) LM12749F-LM12711[2]
Set (outer) Opt: substitut
non-polymer retainer set SET16
1982-1978
Seal (inner) 3677[2]
Set (inner) SET4
Set (outer) SET2

CLUTCH

Pilot Bearing

1983-1981 4-cylinder: 1.7 VW engines
Bushing PB23

Release Bearing

1989-1986 4-cylinder
Bearing Assy 614007
1985-1981 4-cylinder: 1.6, 2.2, 2.2 turbo
Bearing Assy 614007
1983-1981 4-cylinder: A460 Chrysler
transaxle
Bearing Assy 614007
1983-1978 4-cylinder: A412 VW transaxle
Cyl. Bearing 6408

3-SPEED AUTOMATIC TRANSAXLE

Torque Converter

1989-1980
Seal 331228H
Kwik Slv (Opt Rpr) KWK99149

Bearings and Seals

Mfg./Year Model & Location Part No Mfg./Year Model & Location Part No

DODGE - FRONT DRIVE - Aries, Daytona, Dynasty, Lancer, Shadow, Spirit, 600 (cont.)

3-SPEED AUTOMATIC TRANSAXLE

Output Shaft

1989-1980 A404, A413, A470, A670, 31TH
 Set SET17

Differential

1989-1980 A404, A413, A470, A670, 31TH
 Seal 3459S[2]
 Set SET11[2]
 Kwik Slv (Opt Rpr) KWK99157[2]

Selector Shaft Seal/Man. Shaft

1989-1980 A404, A413, A470, A670, 31TH
 Seal 8609

4-SPEED AUTOMATIC TRANSAXLE

Torque Converter

1989-1988 A604, 41TE, 42LE
 Seal 331228H
 Kwik Slv (Opt Rpr) KWK99149

Output Shaft

1989-1988 A604
 Set SET17[2]

Selector Shaft Seal/Man. Shaft

1989-1988 A604, 41TE
 Seal 8609

4-SPEED MANUAL TRANSAXLE

Differential

1986-1981 A460
 Seal 3459S[2]
 Set SET11[2]
 Kwik Slv (Opt Rpr) KWK99157 [2]

1983-1980 A412
 Cone/Cup LM29749-LM29710[2]

Input Shaft

1986-1981 A460
 Seal (front) 3732S
 Set (front) SET4
 Kwik Slv (Opt Rpr) KWK99106
 Set (rear) SET5

1983-1980 A412
 Seal 222240
 Kwik Slv (Opt Rpr) KWK99085

Output Shaft

1983-1980 A412
 Seal 474288[2]
 Kwik Slv (Opt Rpr) KWK99146[2]

4-SPEED MANUAL TRANSAXLE

Selector Shaft Seal/Man. Shaft

1986-1981 A460
 Seal 3816

1983-1980 A412
 Seal 221820

5-SPEED MANUAL TRANSAXLE

Differential

1989-1983 A465, A520, A523, A525, A543,
 A555, A568
 Seal 3459S[2]
 Set SET11[2]
 Kwik Slv (Opt Rpr) KWK99157[2]

Input Shaft

1989-1983 A465, A520, A523, A525, A543,
 A555, A568
 Seal (front) 3732S
 Set (front) SET4
 Kwik Slv (Opt Rpr) KWK99106
 Set (rear) SET5

Selector Shaft Seal/Man. Shaft

1989-1983 A465, A520, A523, A525, A543,
 A555, A568
 Seal 3816

CAMSHAFT SEAL

4 Cylinder

1989 135/2.2L, 153/2.5L
 Seal 3655S
 Kwik Slv (Opt Rpr) KWK99139

1988-1986 153/2.5L
 Seal 3655S
 Kwik Slv (Opt Rpr) KWK99139

6 Cylinder

1989-1988 2972cc/3.0L
 Seal 3771
 Kwik Slv (Opt Rpr) KWK99139

CRANKSHAFT REAR SEAL

4 Cylinder

1989-1981 135/2.2L, 153/2.5L
 Seal Viton 710056
 Seal PTFE H/D Opt 5279

1985-1981 156/2.6L
 Seal Viton 228005
 Kwik Slv (Opt Rpr) KWK99315

Mfg./Year Model & Location Part No Mfg./Year Model & Location Part No

DODGE - FRONT DRIVE - Aries, Daytona, Dynasty, Lancer, Shadow, Spirit, 600 (cont.)

CRANKSHAFT REAR SEAL

6 Cylinder

1989-1988 181/3.0L
 Seal Viton 229005
 Kwik Slv (Opt Rpr)KWK99354

TIMING COVER

4 Cylinder

1989 135/2.2L, 153/2.5L
 Seal 3638
 Kwik Slv (Opt Rpr)KWK99112
1988-1981 135/2.2L, 153/2.5L
 Seal 3655S
 Kwik Slv (Opt Rpr)KWK99139

6 Cylinder

1989-1988 181/3.0L
 Seal 223750

DODGE - FRONT DRIVE - Charger, GLH, Omni, Rampage, Shelby, 400

FRONT WHEEL

1989-1984 Omni; Charger
 Seal 5604[2]⁵⁶
 Bearing B39[2]
 Hub Assy 518500[2]⁶²
1989-1984 Charger exc. Shelby
 Seal 5604[2]⁵⁶
 Bearing B39[2]
 Hub Assy 518500[2]⁶²
1983-1979
 Seal 5604[2]⁵⁶
 Bearing B39[2]
 Hub Assy 518500[2]⁶²
1978 Omni: early 1978: 2.835" OD
 bearing
 Bearing B34[2]
1978 Omni: late 1978; 3.000" O.D.
 bearing
 Seal 5604[2]⁵⁶
 Bearing B39[2]

REAR WHEEL

1989-1983 all
 Seal (inner) 4099[2]
 Set (inner) SET46
 Cone/Cup (outer) LM12749F-LM12711[2]
 Set (outer) Opt: substitut
 non-polymer retainer set SET16
1982-1978 all
 Seal (inner) 3677[2]
 Set (inner) SET4
 Set (outer) SET2

CLUTCH

Pilot Bearing

1983-1978
 Needle Bearing F85265

CLUTCH

Release Bearing

1989-1986 4-cylinder
 Bearing Assy 614007
1985-1981 4-cylinder: 1.6, 2.2, 2.2 turbo
 Bearing Assy 614007
1983-1981 4-cylinder: A460 Chrysler
 transaxle
 Bearing Assy 614007
1983-1978 4-cylinder: A412 VW transaxle
 Cyl. Bearing 6408

3-SPEED AUTOMATIC TRANSAXLE

Torque Converter

1989-1978
 Seal 331228H
 Kwik Slv (Opt Rpr)KWK99149

Output Shaft

1989-1978 A404, A413, A470, A670, 31TH
 Set SET17

Differential

1989-1978 A404, A413, A470, A670, 31TH
 Seal 3459S[2]
 Set SET11[2]
 Kwik Slv (Opt Rpr)KWK99157[2]

Selector Shaft Seal/Man. Shaft

1989-1978 A404, A413, A470, A670, 31TH
 Seal 8609

[] Indicates Quantity Required; Set Components Listed Inside Rear Cover;
⁵⁶ Opt. Kit incl: Seal 3948 & Sleeve ⁶² Kit incl: Hub & Bearing, Seal, Mounting Bolts

Bearings and Seals

Mfg./Year Model & Location Part No Mfg./Year Model & Location Part No

DODGE - FRONT DRIVE - Charger, GLH, Omni, Rampage, Shelby, 400 (cont.)

4-SPEED AUTOMATIC TRANSAXLE

Torque Converter

1989-1988 A604, 41TE, 42LE
 Seal 331228H
 Kwik Slv (Opt Rpr) KWK99149

Output Shaft

1989-1988 A604
 Set SET17[2]

Selector Shaft Seal/Man. Shaft

1989-1988 A604, 41TE
 Seal 8609

4-SPEED MANUAL TRANSAXLE

Differential

1983-1978 A412
 Cone/Cup LM29749-LM29710[2]

Input Shaft

1983-1978 A412
 Seal 222240
 Kwik Slv (Opt Rpr) KWK99085

Output Shaft

1983-1978 A412
 Seal 474288[2]
 Kwik Slv (Opt Rpr) KWK99146[2]

Selector Shaft Seal/Man. Shaft

1983-1978 A412
 Seal 221820

5-SPEED MANUAL TRANSAXLE

Differential

1989-1983 A465, A520, A523, A525, A543,
 A555, A568
 Seal 3459S[2]
 Set SET11[2]
 Kwik Slv (Opt Rpr) KWK99157[2]

5-SPEED MANUAL TRANSAXLE

Input Shaft

1989-1983 A465, A520, A523, A525, A543,
 A555, A568
 Seal (front) 3732S
 Set (front) SET4
 Kwik Slv (Opt Rpr) KWK99106
 Set (rear) SET5

Selector Shaft Seal/Man. Shaft

1989-1983 A465, A520, A523, A525, A543,
 A555, A568
 Seal 3816

CRANKSHAFT REAR SEAL

4 Cylinder

1989-1981 135/2.2L
 Seal 3655S
 Kwik Slv (Opt Rpr) KWK99139

TIMING COVER

4 Cylinder

1989-1981 135/2.2L
 Seal Viton 710056
 Seal PTFE H/D Opt. 5279

DODGE - REAR DRIVE - Aspen, Challenger, Dart, Lancer, Police, Taxi

FRONT WHEEL

1980-1973 disc brakes
 Seal (inner) 5121[2]
 Set (inner) SET17
 Set (outer) SET2
1976-1973 drum brakes
 Seal (inner) 6815[2]
 Set (inner) SET17
 Set (outer) SET2
1972-1970 11" brakes
 Seal (inner) 8121S[2]
 Set (inner) SET6
 Set (outer) SET2

FRONT WHEEL (cont.)

1972-1965 10" brakes
 Seal (inner) 6840S[2]
 Set (inner) SET6
 Set (outer) SET2
1972-1963 9" brakes
 Seal (inner) 41257[2]
 Set (inner) SET4
 Set (outer) SET1
1962
 Seal (inner) 8121S[2]
 Set (inner) SET6
 Set (outer) SET2

DODGE - REAR DRIVE - Aspen, Challenger, Dart, Lancer, Police, Taxi (cont.)

FRONT WHEEL (cont.)

1961-1960	
Seal (inner)	6840S[2]
Set (inner)	SET6
Set (outer)	SET2

REAR WHEEL

1980-1973	7.25" ring gear: 10" brakes
Seal	8660S[2]
Bearing	RWC35YYR[2]
1980-1973	8.25" ring gear
Seal	8835S[2]
Cyl. Bearing	6408[2]
Kit	TRP1559TV[2] ¹⁹
1976-1973	7.25" ring gear: 9" brakes
Seal	5124[2]
Bearing	RWF34R[2]
1972	6-cylinder Challenger
Seal (outer)	8704S[2]
Set (outer)	SET7
Seal (RH)	8695S
Acc. Pkg (RH) (kit)	A7RK ⁴⁶
Seal (outer)	8704S[2]
Set (outer)	SET7
Seal (LH)	8695S
Acc. Pkg (LH) (kit)	A7LK ⁴⁶
1972-1966	6-cylinder exc. Challenger
Seal (inner)	484058[2]
Bearing (inner)	RWF34R[2]
1972-1966	8-cylinder engine
Seal (outer)	8704S[2]
Set (outer)	SET7
Seal (LH)	8695S
Acc. Pkg (LH) (kit)	A7LK ⁴⁶
1971-1970	6-cylinder Challenger
Seal	8660S[2]
Bearing	RWC35YYR[2]
1965-1963	
Bearing	RWF34R[2]
1962	
Seal	6241S[2]
Cone/Cup	25877-25821[2]
1961-1960	
Seal	8133S[2]
Cone/Cup	25877-25821[2]

REAR AXLE

Differential Rebuild Kit

1980	9.25" ring gear
Kit	DRK304
1980	8.25" ring gear
Kit	DRK303
1980	7.25" ring gear
Kit	DRK302
1974-1968	8.75" ring gear: 1.875" pinion shaft OD
Kit	DRK301
1972-1970	Spicer 60 axle
Kit	DRK331
1968-1960	8.75" ring gear: 1.75" pinion shaft OD
Kit	DRK300

Differential

1980-1976	9.25" ring gear
Cone/Cup	JLM704649-JLM704610[2]
1980-1975	8.25" ring gear: from early 1975
Set	SET36[2]
1980-1966	7.25" ring gear
Set	SET45[2]
1975-1970	8.25" ring gear: to early 1975
Set	SET47[2]
1974-1970	8.75" ring gear
Cone/Cup	LM104949-LM104912[2]
1972-1970	9.75" ring gear
Cone/Cup	387A-382S[2]
1969-1968	8.25" ring gear
Set	SET45[2]
1969-1966	8.75" ring gear
Cone/Cup	25590-25520[2]
1965-1963	
Set	SET45[2]
1962-1960	8-cylinder engines
Cone/Cup	25590-25520[2]
1962-1960	6-cylinder engines
Cone/Cup	25580-25520[2]

Pinion

1980-1974	9.25" ring gear
Cone/Cup (inner)	M804049-M804010
Seal (outer)	5126
Cone/Cup (outer)	M88048-M88010
1980-1973	8.25" ring gear
Cone/Cup (inner)	M804049-M804010
Seal (outer)	8516N
Cone/Cup (outer)	M86649-M86610
1980-1966	7.25" ring gear
Cone/Cup (inner)	HM88649-HM88610
Seal (outer)	8516N
Cone/Cup (outer)	M86649-M86610
1974-1973	8.75" ring gear: 1.3125" pilot shaft, 1.875" stem
Cone/Cup (inner)	M804049-M804010
Seal (outer)	5126
Cone/Cup (outer)	M88048-M88010
1972-1967	9.75" ring gear
Cone/Cup (inner)	HM803146-HM803110
Seal (outer)	6808N
Cone/Cup (outer)	HM88542-HM88510
1972-1967	8.75" ring gear: 1.875" shaft
Cone/Cup (inner)	M88048-M88010
Cone/Cup (outer)	M88048-M88010
1972-1967	8.75" ring gear: 1.375" shaft
Cone/Cup (inner)	HM89446-HM89410
Cone/Cup (outer)	M88048-M88010
1971-1967	9.25" ring gear
Cone/Cup (inner)	M804049-M804010
Seal (outer)	6808N
Cone/Cup (outer)	HM88542-HM88510
1970-1967	8.75" ring gear: 1.75" shaft
Cone/Cup (inner)	HM803149-HM803110
Seal (outer)	7216
Cone/Cup (outer)	HM89443-HM89410

[] Indicates Quantity Required; Set Components Listed Inside Rear Cover;

¹⁹ Opt. Axle Repair Bearing. Replaces O.E. bearing & seal.
8695S, 8704S

⁴⁶ Opt. Kit incl: Metal & Foam gskt, Retainer,

Bearings and Seals

Mfg./Year Model & Location Part No Mfg./Year Model & Location Part No

DODGE - REAR DRIVE - Aspen, Challenger, Dart, Lancer, Police, Taxi (cont.)

REAR AXLE (cont.)

Pinion (cont.)

1966-1965	1.375" shaft	
	Cone/Cup (inner)	HM89446-HM89410
	Seal (outer)	5126
	Cone/Cup (outer)	M88048-M88010
1966-1964	1.75" shaft	
	Cone/Cup (inner)	HM803149-HM803110
	Seal (outer)	67216
	Cone/Cup (outer)	HM89443-HM89410
1964-1963	383, 413, 426 engines	
	Cone/Cup (inner)	HM803149-HM803110
	Cone/Cup (outer)	HM89443-HM89410
1964-1963	exc. 383, 413, 426 engines	
	Cone/Cup (inner)	HM89446-HM89410
	Cone/Cup (outer)	M88048-M88010
1962		
	Cone/Cup (inner)	HM89446-HM89410
	Seal (outer)	5126
	Cone/Cup (outer)	M88048-M88010
1961-1960	361, 383 engines	
	Cone/Cup (inner)	HM803149-HM803110
	Seal (outer)	7216
	Cone/Cup (outer)	HM89443-HM89410
1961-1960	exc. 361, 383 engines	
	Cone/Cup (inner)	HM89446-HM89410
	Seal (outer)	5126
	Cone/Cup (outer)	M88048-M88010

AUTOMATIC TRANSMISSION

Torque Converter

1960	Power-flite: 2-speed	
	Seal	6879H
	Kwik Slv (Opt Rpr)	KWK99212

Rear Seal/Ext. Housing

1960	Power-flite: 2-speed	
	Seal	8160S
	Bearing	206WB

Selector Shaft Seal/Man. Shaft

1960	Power-flite: 2-speed	
	Seal	470018
	Kwik Slv (Opt Rpr)	KWK99062

3-SPEED AUTOMATIC TRANSMISSION

Torque Converter

1980	A904	
	Seal	331228H
	Kwik Slv (Opt Rpr)	KWK99149
1980	A727	
	Seal	331227H
	Kwik Slv (Opt Rpr)	KWK99187
1979-1962	A727, A904	
	Seal	331228H
	Kwik Slv (Opt Rpr)	KWK99187
1961-1960	Torque-Flite	
	Seal	6879H
	Kwik Slv (Opt Rpr)	KWK99212

Rear Seal/Ext. Housing

1980-1973	A904	
	Seal	2506
	Bearing	206LOE ³⁸
1980-1962	A727: 1-pc driveshaft	
	Seal	7300S
	Bearing	207XLO
	Seal Kit	5206 ⁶⁴
1979-1962	A727: 2-pc driveshaft	
	Seal	8160S
	Bearing	2061
1972-1965	A904	
	Seal	8935S
	Bearing	206LOE ³⁸
1961-1960	Torque-Flite	
	Seal	330663
	Bearing	2061

Clutch Cam

1980-1962	A727	
	Needle Bearing	W585Q[12]

Selector Shaft Seal/Man. Shaft

1980-1965	A904	
	Seal	8609

CLUTCH - 6 CYLINDER

Pilot Bearing

1980-1960		
	Bushing	PB286
	Bushing H/D Opt.	PB286HD

CLUTCH - 8 CYLINDER

Pilot Bearing

1979-1960		
	Bushing	PB286
	Bushing H/D Opt.	PB286HD

CLUTCH

Release Bearing

1978-1974	all	
	Bearing Assy	614036
1977-1968	11" clutch: exc. 426, 440 engines	
	Bearing Assy	614036
1973-1967	11" clutch: 440 engine	
	Bearing Only	DP1625C
1973-1965	exc. 11" clutch	
	Bearing Assy	614036
1972-1966	11" clutch: 426 engine	
	Bearing Only	PO1666C ²⁰
1970-1968	6-cylinder: 11" clutch	
	Bearing Only	PA1505C
1967-1966	11" clutch: exc. 426, 440 engines	
	Bearing Only	PA1505C
1965	11" clutch	
	Bearing Only	PA1505C
1964	6-cylinder: exc. 11" clutch	
	Bearing Assy	614036
1964	6-cylinder: 11" clutch	
	Bearing Only	PA1505C

162 [] Indicates Quantity Required; Set Components Listed Inside Rear Cover;

²⁰ Not currently in production; check for availability ³⁸ Use Old Snap Ring ⁶⁴ Opt. Seal and Bushing Kit

DODGE - REAR DRIVE - Aspen, Challenger, Dart, Lancer, Police, Taxi (cont.)

CLUTCH (cont.)

Release Bearing (cont.)

1964	8-cylinder	
	Bearing Assy	614036
1963-1962	all	
	Bearing Assy	614036
1961-1960	exc. 6-cylinder	
	Bearing Only	PD1605C ²⁰
1961-1960	6-cylinder	
	Bearing Only	D1505C
1959-1957	all	
	Bearing Only	PD1605C ²⁰
1956-1955	all	
	Bearing Only	PC1605C ²⁰
1954-1953	w/o Torque converter: exc. 6-cylinder D-47 engine	
	Bearing Only	PA1605C ²⁰
1954-1953	6-cylinder D-47 engine	
	Bearing Only	P1605C ²⁰
1952-1941	exc. Fluid Drive	
	Bearing Only	P1605C ²⁰
1952-1941	Fluid Drive	
	Bearing Only	1972C ²⁰

3-SPEED MANUAL TRANSMISSION

Front Input Shaft

1980	A230 New Process: 20-spline	
	Seal	9376
	Bearing	308LOE
1980	A230 New Process: 18-spline	
	Seal	9376
	Bearing	307LOI
1979-1974	A230 New Process	
	Seal	9376
	Bearing	1307L
1974-1973	A250 New Process	
	Seal	9376
	Bearing	N307LOE
1973-1970	A230 New Process	
	Seal	9376
	Bearing	307LI
1971-1960	A903 New Process	
	Seal	9376
	Bearing	1207L
1970-1960	A745 New Process: 23-spline shaft	
	Seal	9376
	Bearing	307LI
1970-1960	A745 New Process: 10-spline shaft	
	Seal	353135
	Bearing	307LI
	Kwik Slv (Opt Rpr)	KWK99125
1964-1960	T85 Warner	
	Seal	353135
	Bearing	307L
	Kwik Slv (Opt Rpr)	KWK99125

3-SPEED MANUAL TRANSMISSION

Mainshaft Pilot

1980-1960	New Process A230, A745, A903	
	Needle Bearing	QBR23549[15]
1974-1973	New Process A250	
	Needle Bearing	QBR23549[14]
1964-1960	Warner T85	
	Needle Bearing	W1518Q[14]

Countershaft

1974-1973	New Process A250	
	Needle Bearing	C407Q[88]
1971-1960	New Process A903	
	Needle Bearing	C1086Q[44]
1964-1960	Warner T85	
	Needle Bearing	S443Q[80]

Rear Output Shaft

1980	A230 New Process: 30-spline short shaft	
	Seal	7300S
	Bearing	308LOE
	Seal Kit	5206 ⁶⁴
1980	A230 New Process: 26-spline long shaft	
	Seal	2506
	Bearing	307LOI
1980	A230 New Process: 23-spline	
	Seal	8160S
	Bearing	307LOI
1979-1970	A230 New Process: 30-spline short shaft	
	Seal	7300S
	Bearing	1307
	Seal Kit	5206 ⁶⁴
1979-1970	A230 New Process: 23-spline	
	Seal	8160S
	Bearing	307L
1974-1973	A250 New Process: 26-spline shaft	
	Seal	2506
	Bearing	N207XE
1973	A250 New Process: 30-spline shaft	
	Seal	8935S
	Bearing	N307LOE
	Seal Kit	5207 ⁶⁴
1971-1960	A903 New Process	
	Seal	8160S
	Bearing	1207L
1970-1966	A745 New Process: 26-spline shaft	
	Seal	8935S
	Bearing	1307
	Seal Kit	5207 ⁶⁴
1970-1960	A745 New Process: 30-spline shaft	
	Seal	7300S
	Bearing	1307
	Seal Kit	5206 ⁶⁴

[] Indicates Quantity Required; Set Components Listed Inside Rear Cover;

²⁰ Not currently in production; check for availability ⁶⁴ Opt. Seal and Bushing Kit

Bearings and Seals

Mfg./Year Model & Location Part No Mfg./Year Model & Location Part No

DODGE - REAR DRIVE - Aspen, Challenger, Dart, Lancer, Police, Taxi (cont.)

3-SPEED MANUAL TRANSMISSION (cont.)

Rear Output Shaft (cont.)

1970-1960 A745 New Process: 23-spline shaft
 Seal 8160S
 Bearing 2061
1964-1960 Warner
 Seal 8160S
 Bearing 1307

Reverse Idler

1980-1960 New Process
 Needle Bearing C1086Q[22]

Selector Shaft Seal/Man. Shaft

1980-1960
 Seal 7188S
 Kwik Slv (Opt Rpr) KWK99062

4-SPEED MANUAL TRANSMISSION

Input Shaft

1980-1974 A833 New Process: 23-spline shaft
 Seal 9376
 Bearing 308LOE
 Kwik Slv (Opt Rpr) KWK99118
1973-1964 A833 New Process: 18-spline shaft
 Seal 9487
 Bearing 307L
 Kwik Slv (Opt Rpr) KWK99118
1963 T10 Warner
 Seal 9376
 Bearing 307LI

Mainshaft Pilot

1980-1964 New Process A833
 Needle Bearing QBR23549[16]
1963 Warner T10
 Needle Bearing QA19792[14]

Countershaft

1963 Warner T10
 Needle Bearing S443Q[80]

Rear Output Shaft

1979-1970 A833 New Process: 26-spline shaft
 Seal 2506
 Bearing 307L
1976-1964 A833 New Process: 30-spline shaft
 Seal 7300S
 Bearing 308LOE
 Seal Kit 5206⁶⁴

4-SPEED MANUAL TRANSMISSION (cont.)

Rear Output Shaft (cont.)

1969-1966 A833 New Process: 26-spline shaft
 Seal 2506
 Bearing 1307
1965-1964 A833 New Process: 26-spline shaft
 Seal 2506
 Bearing 307TB
1965-1964 A833 New Process: 23-spline shaft
 Seal 8160S
 Bearing 2061
1963 T10 Warner
 Seal 8160S
 Bearing 307LI

ALTERNATOR

1980-1974 86, 100, 114 amp
 Bearing (drive end) 303SS
1980-1960 31, 41, 50, 60, 65, 78 amp
 Bearing (drive end) 203FF
1980-1960 31, 41, 50, 60, 65, 78 amp
 Bearing (rear end) MNJ471S

POWER STEERING

Pump Shaft

1980-1965 (Saginaw pump)
 Seal 7013S
1967-1960 (Federal pump)
 Seal 8773S

Sector Shaft

1980-1960 (Chrysler design)
 Seal 6859S

Thrust

1980-1960 (Chrysler design)
 Needle Bearing Thrust FA20157[2]

Worm Shaft

1980-1960 (Chrysler design)
 Seal 7188S

MANUAL STEERING

Pitman Shaft

1961-1960
 Seal 240731

Sector Shaft

1980-1960 (Chrysler design)
 Seal 6859S

DODGE - REAR DRIVE - Aspen, Challenger, Dart, Lancer, Police, Taxi (cont.)

MANUAL STEERING

Worm Shaft

1980-1962 (Chrysler design)	
Seal	7214
Bearing	8572[2]
1961-1960	
Seal	340797

CRANKSHAFT FRONT SEAL

6 Cylinder

1980-1960 225/3.7L	
Seal	5650
1974-1961 170/2.8, 198/3.2	
Seal	5576

CRANKSHAFT REAR SEAL

8 Cylinder

1980-1960 273/4.5, 318/5.2, 340/5.6, 360/5.9	
Seal	5414
1971-1960 383/6.3, 426/7.0, 440/7.2	
Seal	5576

TIMING COVER

6 Cylinder

1980-1960	
Seal	3095
Kwik Slv (Opt Rpr)	KWK99226

8 Cylinder

1980-1960	
Seal	3103
Kwik Slv (Opt Rpr)	KWK99218
Harmonic Balancer	
Sleeves	88218

DODGE - REAR DRIVE - Charger, Magnum

FRONT WHEEL

1979-1973	
Seal (inner)	5121[2]
Set (inner)	SET17
Set (outer)	SET2
1972-1967 10" brakes	
Seal (inner)	6840S[2]
Set (inner)	SET6
Set (outer)	SET2
1972-1967 11" brakes	
Seal (inner)	8121S[2]
Set (inner)	SET6
Set (outer)	SET2
1966	
Seal (inner)	8121S[2]
Set (inner)	SET6
Set (outer)	SET2

REAR WHEEL

1983-1971 8.25" ring gear	
Seal	8835S[2]
Cyl. Bearing	6408[2]
Kit	TRP1559TV[2] ¹⁹
1979-1971 9.25" ring gear	
Seal	8835S[2]
Cyl. Bearing	6408[2]
Kit	TRP1559TV[2] ¹⁹
1974-1966 8.75" ring gear	
Seal (outer)	8704S[2]
Set	SET7
Acc. Pkg (LH)	A7LK ⁴⁶

REAR WHEEL (cont.)

1972-1966 9.75" ring gear	
Seal (outer)	8704S[2]
Set	SET7
Acc. Pkg (LH)	A7LK ⁴⁶
1971-1966 7.25" ring gear	
Seal (inner)	9342S[2]
Bearing (inner)	RWC35YYR[2]
Seal (outer)	5124[2]
1970-1969 8.25" ring gear	
Seal	8660S[2]
Cyl. Bearing	5707[2]
Kit	TRP1563TAV[2] ¹⁹

REAR AXLE

Differential Rebuild Kit

1974-1968 8.75" ring gear: 1.875" pinion shaft OD	
Kit	DRK301
1968-1966 8.75" ring gear: 1.75" pinion shaft OD	
Kit	DRK300

Differential

1983-1975 8.25" ring gear: from early 1975	
Set	SET36[2]
1981-1974 9.25" ring gear	
Cone/Cup	JLM704649-JLM704610[2]
1975-1970 8.25" ring gear: to early 1975	
Set	SET47[2]
1975-1970 8.25" ring gear: to early 1975	
Set	SET47[2]

[] Indicates Quantity Required; Set Components Listed Inside Rear Cover;

¹⁹ Opt. Axle Repair Bearing. Replaces O.E. bearing & seal.
8695S, 8704S

⁴⁶ Opt. Kit incl: Metal & Foam gskt, Retainer,

Bearings and Seals

Mfg./Year Model & Location Part No Mfg./Year Model & Location Part No

DODGE - REAR DRIVE - Charger, Magnum (cont.)

REAR AXLE (cont.)

Differential (cont.)

1974-1969	8.75" ring gear	
Cone/Cup	LM104949-LM104912[2]
1972-1967	9.75" ring gear	
Cone/Cup	387A-382S[2]
1971-1970	7.25" ring gear	
Set	SET45[2]
1969-1966	8.25" ring gear	
Set	SET45[2]

Pinion

1979-1974	9.25" ring gear	
Cone/Cup (inner)	M804049-M804011
Seal (outer)	5126
Cone/Cup (outer)	M88048-M88010
1979-1973	8.25" ring gear	
Cone/Cup (inner)	M804049-M804011
Seal (outer)	8516N
Cone/Cup (outer)	M86649-M86610
1979-1966	7.25" ring gear	
Cone/Cup (inner)	HM88649-HM88610
Seal (outer)	8516N
Cone/Cup (outer)	M86649-M86610
1974-1973	8.75" ring gear: 1.3125" pilot shaft, 1.875" stem	
Cone/Cup (inner)	M804049-M804010
Seal (outer)	5126
Cone/Cup (outer)	M88048-M88010
1972-1967	9.75" ring gear	
Cone/Cup (inner)	HM803146-HM803110
Seal (outer)	6808N
Cone/Cup (outer)	HM88542-HM88510
1972-1967	8.75" ring gear: 1.875" shaft	
Cone/Cup (inner)	M88048-M88010
Cone/Cup (outer)	M88048-M88010
1972-1967	8.75" ring gear: 1.375" shaft	
Cone/Cup (inner)	HM89446-HM89410
Cone/Cup (outer)	M88048-M88010
1971-1967	9.25" ring gear	
Cone/Cup (inner)	M804049-M804011
Seal (outer)	6808N
Cone/Cup (outer)	HM88542-HM88510
1970-1967	8.75" ring gear: 1.75" shaft	
Cone/Cup (inner)	HM803149-HM803110
Seal (outer)	7216
Cone/Cup (outer)	HM89443-HM89410
1966	1.75" shaft	
Cone/Cup (inner)	HM803149-HM803110
Seal (outer)	67216
Cone/Cup (outer)	HM89443-HM89410
1966	1.375" shaft	
Cone/Cup (inner)	HM89446-HM89410
Seal (outer)	5126
Cone/Cup (outer)	M88048-M88010

3-SPEED AUTOMATIC TRANSMISSION

Torque Converter

1979-1966	A727	
Seal	331227H
Kwik Slv (Opt Rpr)	KWK99187

3-SPEED AUTOMATIC TRANSMISSION (cont.)

Torque Converter (cont.)

1978-1967	A904	
Seal	331228H
Kwik Slv (Opt Rpr)	KWK99149

Rear Seal/Ext. Housing

1979-1966	A727: 1-pc driveshaft	
Seal	7300S
Bearing	207XLO
Seal Kit	5206 ⁶⁴
1979-1966	A727: 2-pc driveshaft	
Seal	8160S
Bearing	2061
1978-1973	A904	
Seal	2506
Bearing	206LOE ³⁸
1972-1967	A904	
Seal	8935S
Bearing	206LOE ³⁸

Clutch Cam

1979-1966	A727	
Needle Bearing	W585Q[12]

Selector Shaft Seal/Man. Shaft

1979-1967	A904	
Seal	8609

CLUTCH - 6 CYLINDER

Pilot Bearing

1976-1968		
Bushing	PB286
Bushing H/D Opt.	PB286HD

CLUTCH - 8 CYLINDER

Pilot Bearing

1978-1966		
Bushing	PB286
Bushing H/D Opt.	PB286HD

CLUTCH

Release Bearing

1978-1974		
Bearing Assy	614036
1977-1968	11" clutch: exc. 426, 440 engines	
Bearing Assy	614036
1973-1967	11" clutch: 440 engine	
Bearing Only	DP1625C
1973-1965	exc. 11" clutch	
Bearing Assy	614036
1972-1966	11" clutch: 426 engine	
Bearing Only	PO1666C ²⁰
1970-1968	6-cylinder: 11" clutch	
Bearing Only	PA1505C

166 [] Indicates Quantity Required; Set Components Listed Inside Rear Cover;

²⁰ Not currently in production; check for availability ³⁸ Use Old Snap Ring ⁶⁴ Opt. Seal and Bushing Kit

DODGE - REAR DRIVE - Charger, Magnum (cont.)

CLUTCH (cont.)

Release Bearing (cont.)

1967-1966 11" clutch: exc. 426, 440 engines
Bearing Only PA1505C

3-SPEED MANUAL TRANSMISSION

Front Input Shaft

1977-1974 A230 New Process
Seal 9376
Bearing 1307L

1973-1970 A230 New Process
Seal 9376
Bearing 307LI

1970-1966 A745 New Process: 23-spline shaft
Seal 9376
Bearing 307LI

1970-1966 A745 New Process: 10-spline shaft
Seal 353135
Bearing 307LI
Kwik Slv (Opt Rpr) KWK99125

1968 A903 New Process
Seal 9376
Bearing 1207L

Mainshaft Pilot

1977-1966 New Process
Needle Bearing QBR23549[15]

Countershaft

1968 New Process A903
Needle Bearing C1086Q[44]

Rear Output Shaft

1977-1970 A230 New Process: 23-spline
Seal 8160S
Bearing 307L

1977-1970 A230 New Process: 30-spline
Seal 7300S
Bearing 1307
Seal Kit 5206⁶⁴

1970-1966 A230 New Process: 23-spline
Seal 8160S
Bearing 2061

1970-1966 A745 New Process: 26-spline shaft
Seal 8935S
Bearing 1307
Seal Kit 5207⁶⁴

1970-1966 A745 New Process: 30-spline shaft
Seal 7300S
Bearing 1307
Seal Kit 5206⁶⁴

1968 A903 New Process
Seal 8160S
Bearing 1207L

3-SPEED MANUAL TRANSMISSION

Reverse Idler

1977-1966 New Process
Needle Bearing C1086Q[22]

Selector Shaft Seal/Man. Shaft

1977-1966
Seal 7188S
Kwik Slv (Opt Rpr) KWK99062

4-SPEED MANUAL TRANSMISSION

Input Shaft

1978-1974 A833 New Process: 23-spline shaft
Seal 9376
Bearing 308LOE
Kwik Slv (Opt Rpr) KWK99118

1973-1966 A833 New Process: 18-spline shaft
Seal 9487
Bearing 307L
Kwik Slv (Opt Rpr) KWK99118

Mainshaft Pilot

1978-1966 New Process A833
Needle Bearing QBR23549[16]

Rear Output Shaft

1978-1970 A833 New Process: 26-spline shaft
Seal 2506
Bearing 307L

1976-1966 A833 New Process: 30-spline shaft
Seal 7300S
Bearing 308LOE
Seal Kit 5206⁶⁴

1969-1966 A833 New Process: 26-spline shaft
Seal 2506
Bearing 1307

POWER STEERING

Pump Shaft

1979-1977 (Saginaw pump)
Seal 7013S

1967-1966 (Federal pump)
Seal 8773S

Sector Shaft

1979-1966 (Chrysler design)
Seal 6859S

Thrust

1979-1966 (Chrysler design)
Needle Bearing Thrust FA20157[2]

[] Indicates Quantity Required; Set Components Listed Inside Rear Cover;

⁶⁴ Opt. Seal and Bushing Kit

Bearings and Seals

Mfg./Year Model & Location Part No Mfg./Year Model & Location Part No

DODGE - REAR DRIVE - Charger, Magnum (cont.)

POWER STEERING

Worm Shaft

1979-1966 (Chrysler design)
Seal 7188S

MANUAL STEERING

Pitman Shaft

1979-1966
Seal 240731

Sector Shaft

1979-1966 (Chrysler design)
Seal 6859S

Worm Shaft

1979-1966 (Chrysler design)
Seal 7214
Bearing 8572[2]

CRANKSHAFT FRONT SEAL

6 Cylinder

1976-1968 225/3.7L
Seal 5650

CRANKSHAFT REAR SEAL

8 Cylinder

1979-1966 273/4.5, 318/5.2, 340/5.6, 360/5.9
Seal 5414
1979-1966 383/6.3, 426/7.0, 440/7.2, 400/6.6
Seal 5576

TIMING COVER

6 Cylinder

1979-1968
Seal 3095
Kwik Slv (Opt Rpr) KWK99226

8 Cylinder

1979-1966
Seal 3103
Kwik Slv (Opt Rpr) KWK99218
Harmonic Balancer
Sleeves 88218

DODGE - REAR DRIVE - Coronet, Custom Series, Diplomat, Matador, Mirada, Monaco, Polara, Royal, Royal Lancer, Royal Monaco, St. Regis, Sierra, Silver Challenger, 330, 440, 880

FRONT WHEEL

1989-1977 exc. 1977 Royal Monaco
Seal (inner) 5121[2]
Set (inner) SET17
Set (outer) SET2
1977 Royal Monaco
Seal (inner) 3087[2]
Set (inner) SET11
Set (outer) SET16
1976-1974
Seal (inner) 3087[2]
Set (inner) SET11
Set (outer) SET16
1973
Seal (inner) 5121[2]
Set (inner) SET17
Set (outer) SET16
1972-1967 10" brakes
Seal (inner) 6840S[2]
Set (inner) SET6
Set (outer) SET2
1972-1967 11" brakes
Seal (inner) 8121S[2]
Set (inner) SET6
Set (outer) SET2
1966-1962
Seal (inner) 8121S[2]
Set (inner) SET6
Set (outer) SET2

FRONT WHEEL (cont.)

1961-1955
Seal (inner) 6840S[2]
Set (inner) SET6
Set (outer) SET2

REAR WHEEL

1989-1985
Seal 8835S[2]
Cyl. Bearing 6408[2]
Kit TRP1559TV[2]¹⁹
1984-1982 7.25" ring gear: non-pressed bearing
Seal 8835S[2]
Cyl. Bearing 6408[2]
Kit TRP1559TV[2]¹⁹
1984-1971 8.25" ring gear: straight roller bearing
Seal 8835S[2]
Cyl. Bearing 6408[2]
Kit TRP1559TV[2]¹⁹
1983-1981 7.25" ring gear: pressed bearing
Seal 8835S[2]
Bearing RWC35YYR[2]
1983-1974 9.25" ring gear
Seal 8835S[2]
Cyl. Bearing 6408[2]
Kit TRP1559TV[2]¹⁹

168 [] Indicates Quantity Required; Set Components Listed Inside Rear Cover;

¹⁹ Opt. Axle Repair Bearing. Replaces O.E. bearing & seal.

DODGE - REAR DRIVE - Coronet, Custom Series, Diplomat, Matador, Mirada, Monaco, Polara, Royal, Royal Lancer, Royal Monaco, St. Regis, Sierra, Silver Challenger, 330, 440, 880 (cont.)

REAR WHEEL (cont.)

1974-1966	8.75" ring gear	
Seal (outer)	8704S[2]
Set (outer)	SET7
Seal (RH)	8695S
Acc. Pkg (RH) (kit)	A7RK ⁴⁶
1972-1966	9.75" ring gear	
Seal (outer)	8704S[2]
Set (outer)	SET7
Seal (RH)	8695S
Acc. Pkg (RH) (kit)	A7RK ⁴⁶
1971-1970	8.25" ring gear: bearing pressed on shaft	
Seal (outer)	8704S[2]
Set (outer)	SET7
Seal (RH)	8695S
Acc. Pkg (RH) (kit)	A7RK ⁴⁶
1971-1966	7.25" ring gear	
Seal (inner)	9342S[2]
Bearing (inner)	RWC35YYR[2]
Seal (outer)	5124[2]
1970-1969	8.25" ring gear: non-pressed bearing	
Seal	8660S[2]
Cyl. Bearing	5707[2]
Kit	TRP1563TAV[2] ¹⁹
1968-1967	9.25" ring gear	
Seal (outer)	8704S[2]
Set (outer)	SET7
Seal (RH)	8695S
Acc. Pkg (RH) (kit)	A7RK ⁴⁶
1965		
Seal (outer)	8704S[2]
Set (outer)	SET7
Seal (RH)	8695S
Acc. Pkg (RH) (kit)	A7RK ⁴⁶
1964-1962		
Seal	8133S[2]
Cone/Cup	25877-25821[2]
1961-1941	5-Passenger	
Seal	6241S[2]
Cone/Cup	25877-25821[2]

REAR AXLE

Differential Rebuild Kit

1989-1980	8.25" ring gear	
Kit	DRK303
1981-1980	9.25" ring gear	
Kit	DRK304
1981-1980	7.25" ring gear	
Kit	DRK302
1974-1968	8.75" ring gear: 1.875" pinion shaft OD	
Kit	DRK301
1972-1967	Spicer 60 axle	
Kit	DRK331
1968-1958	8.75" ring gear: 1.75" pinion shaft OD	
Kit	DRK300

Differential

1989-1975	8.25" ring gear: from early 1975	
Set	SET36[2]
1989-1968	7.25" ring gear	
Set	SET45[2]
1981-1974	9.25" ring gear	
Cone/Cup	JLM704649-JLM704610[2]
1975-1970	8.25" ring gear: to early 1975	
Set	SET47[2]
1974-1969	8.75" ring gear	
Cone/Cup	LM104949-LM104912[2]
1972-1967	9.75" ring gear	
Cone/Cup	387A-382S[2]
1969-1968	8.25" ring gear	
Set	SET45[2]
1968-1965	8.75" ring gear	
Cone/Cup	25590-25520[2]
1965-1958	6-cylinder engines	
Cone/Cup	25580-25520[2]
1964-1958	8-cylinder engines	
Cone/Cup	25590-25520[2]
1957-1946	all	
Cone/Cup	25580-25520[2]

Pinion

1989-1973	8.25" ring gear	
Cone/Cup (inner)	M804049-M804011
Seal (outer)	8516N
Cone/Cup (outer)	M86649-M86610
1989-1966	7.25" ring gear	
Cone/Cup (inner)	HM88649-HM88610
Seal (outer)	8516N
Cone/Cup (outer)	M86649-M86610
1981-1974	9.25" ring gear	
Cone/Cup (inner)	M804049-M804011
Seal (outer)	5126
Cone/Cup (outer)	M88048-M88010
1974-1973	8.75" ring gear: 1.3125" pilot shaft, 1.875" stem	
Cone/Cup (inner)	M804049-M804010
Seal (outer)	5126
Cone/Cup (outer)	M88048-M88010
1972-1967	9.75" ring gear	
Cone/Cup (inner)	HM803146-HM803110
Seal (outer)	6808N
Cone/Cup (outer)	HM88542-HM88510
1972-1967	8.75" ring gear: 1.875" shaft	
Cone/Cup (inner)	M88048-M88010
Cone/Cup (outer)	M88048-M88010
1972-1967	8.75" ring gear: 1.375" shaft	
Cone/Cup (inner)	HM89446-HM89410
Cone/Cup (outer)	M88048-M88010
1971-1967	9.25" ring gear	
Cone/Cup (inner)	M804049-M804011
Seal (outer)	6808N
Cone/Cup (outer)	HM88542-HM88510

[] Indicates Quantity Required; Set Components Listed Inside Rear Cover;

¹⁹ Opt. Axle Repair Bearing. Replaces O.E. bearing & seal.
8695S, 8704S

⁴⁶ Opt. Kit incl: Metal & Foam gskt, Retainer,

Bearings and Seals

Mfg./Year Model & Location Part No Mfg./Year Model & Location Part No

DODGE - REAR DRIVE - Coronet, Custom Series, Diplomat, Matador, Mirada, Monaco, Polara, Royal, Royal Lancer, Royal Monaco, St. Regis, Sierra, Silver Challenger, 330, 440, 880 (cont.)

REAR AXLE (cont.)

Pinion (cont.)

1970-1967	8.75" ring gear: 1.75" shaft
Cone/Cup (inner)	HM803149-HM803110
Seal (outer)	7216
Cone/Cup (outer)	HM89443-HM89410
1966-1965	1.375" shaft
Cone/Cup (inner)	HM89446-HM89410
Seal (outer)	5126
Cone/Cup (outer)	M88048-M88010
1966-1964	1.75" shaft
Cone/Cup (inner)	HM803149-HM803110
Seal (outer)	67216
Cone/Cup (outer)	HM89443-HM89410
1964-1963	383, 413, 426 engines
Cone/Cup (inner)	HM803149-HM803110
Cone/Cup (outer)	HM89443-HM89410
1964-1963	exc. 383, 413, 426 engines
Cone/Cup (inner)	HM89446-HM89410
Cone/Cup (outer)	M88048-M88010
1962	all
Cone/Cup (inner)	HM89446-HM89410
Seal (outer)	5126
Cone/Cup (outer)	M88048-M88010
1961-1960	361, 383 engines
Cone/Cup (inner)	HM803149-HM803110
Seal (outer)	7216
Cone/Cup (outer)	HM89443-HM89410
1961-1960	exc. 361, 383 engines
Cone/Cup (inner)	HM89446-HM89410
Seal (outer)	5126
Cone/Cup (outer)	M88048-M88010
1959-1958	U.S. models exc. 350 engine
Cone/Cup (inner)	HM89446-HM89410
Cone/Cup (outer)	M88048-M88010
1958	U.S. models: 350 engine
Cone/Cup (inner)	HM89446-HM89410
Seal (outer)	7216
Cone/Cup (outer)	HM89443-HM89410
1957	some 5-Passenger
Cone/Cup (inner)	HM89446-HM89410
Cone/Cup (outer)	M88048-M88010
1957-1952	5-Passenger
Cone/Cup (inner)	HM89446-HM89410
Cone/Cup (outer)	HM89443-HM89410

AUTOMATIC TRANSMISSION

Torque Converter

1960-1953	Power-flite: 2-speed
Seal	6879H
Kwik Slv (Opt Rpr)	KWK99212

Rear Seal/Ext. Housing

1960-1953	Power-flite: 2-speed
Seal	8160S
Bearing	206WB

AUTOMATIC TRANSMISSION

Selector Shaft Seal/Man. Shaft

1960-1953	Power-flite: 2-speed
Seal	470018
Kwik Slv (Opt Rpr)	KWK99062

3-SPEED AUTOMATIC TRANSMISSION

Torque Converter

1979-1965	A904
Seal	331228H
Kwik Slv (Opt Rpr)	KWK99149
1979-1962	A727
Seal	331227H
Kwik Slv (Opt Rpr)	KWK99187
1961-1957	Torque-Flite
Seal	6879H
Kwik Slv (Opt Rpr)	KWK99212

Rear Seal/Ext. Housing

1980-1962	A727: 1-pc driveshaft
Seal	7300S
Bearing	207XLO
Seal Kit	5206 ⁶⁴
1979-1973	A904
Seal	2506
Bearing	206LOE ³⁸
1979-1962	A727: 2-pc driveshaft
Seal	8160S
Bearing	2061
1972-1965	A904
Seal	8935S
Bearing	206LOE ³⁸
1961-1957	Torque-Flite
Seal	330663
Bearing	2061

Clutch Cam

1989-1962	A727
Needle Bearing	W585Q[12]

Selector Shaft Seal/Man. Shaft

1979-1965	A904
Seal	8609

CLUTCH - 6 CYLINDER

Pilot Bearing

1978-1946	
Bushing	PB286
Bushing H/D Opt: H/D	PB286HD

CLUTCH - 8 CYLINDER

Pilot Bearing

1978-1957	
Bushing	PB286
Bushing H/D Opt: H/D	PB286HD

170 [] Indicates Quantity Required; Set Components Listed Inside Rear Cover;

³⁸ Use Old Snap Ring ⁶⁴ Opt. Seal and Bushing Kit

DODGE - REAR DRIVE - Coronet, Custom Series, Diplomat, Matador, Mirada, Monaco, Polara, Royal, Royal Lancer, Royal Monaco, St. Regis, Sierra, Silver Challenger, 330, 440, 880 (cont.)

CLUTCH

Release Bearing

1978-1974	all	
	Bearing Assy	614036
1977-1968	11" clutch: exc. 426, 440 engines	
	Bearing Assy	614036
1973-1967	11" clutch: 440 engine	
	Bearing Only	DP1625C
1973-1965	exc. 11" clutch	
	Bearing Assy	614036
1972-1966	11" clutch: 426 engine	
	Bearing Only	PO1666C ²⁰
1970-1968	6-cylinder: 11" clutch	
	Bearing Only	PA1505C
1967-1966	11" clutch: exc. 426, 440 engines	
	Bearing Only	PA1505C
1965	11" clutch	
	Bearing Only	PA1505C
1964	6-cylinder: exc. 11" clutch	
	Bearing Assy	614036
1964	6-cylinder: 11" clutch	
	Bearing Only	PA1505C
1964	8-cylinder	
	Bearing Assy	614036
1963-1962	all	
	Bearing Assy	614036
1962-1961	Lancer	
	Bearing Assy	614036
1961-1960	exc. 6-cylinder	
	Bearing Only	PD1605C ²⁰
1961-1960	6-cylinder	
	Bearing Only	D1505C
1959-1957	all	
	Bearing Only	PD1605C ²⁰
1956-1955	all	
	Bearing Only	PC1605C ²⁰
1954-1953	w/o Torque converter: exc. 6-cylinder D-47 engine	
	Bearing Only	PA1605C ²⁰
1954-1953	6-cylinder D-47 engine	
	Bearing Only	P1605C ²⁰
1952-1941	exc. Fluid Drive	
	Bearing Only	P1605C ²⁰
1952-1941	Fluid Drive	
	Bearing Only	1972C ²⁰

3-SPEED MANUAL TRANSMISSION

Front Input Shaft

1978-1974	A230 New Process	
	Seal	9376
	Bearing	1307L
1973-1970	A230 New Process	
	Seal	9376
	Bearing	307LI
1971-1957	A903 New Process	
	Seal	9376
	Bearing	1207L

3-SPEED MANUAL TRANSMISSION (cont.)

Front Input Shaft (cont.)

1970-1960	A745 New Process: 23-spline shaft	
	Seal	9376
	Bearing	307LI
1970-1960	A745 New Process: 10-spline shaft	
	Seal	353135
	Bearing	307LI
	Kwik Slv (Opt Rpr)	KWK99125
1964-1960	T85 Warner	
	Seal	353135
	Bearing	307L
	Kwik Slv (Opt Rpr)	KWK99125
1956-1946	Chrysler L/D	
	Bearing	1207L

Mainshaft Pilot

1978-1957	New Process A230, A745, A903	
	Needle Bearing	QBR23549[15]
1964-1960	Warner T85	
	Needle Bearing	W1518Q[14]
1956-1946	Chrysler L/D	
	Needle Bearing	QBR23549[14]

Countershaft

1971-1957	New Process A903	
	Needle Bearing	C1086Q[44]
1964-1960	Warner T85	
	Needle Bearing	S443Q[80]
1956-1946	Chrysler L/D	
	Needle Bearing	C1086Q[44]

Rear Output Shaft

1978-1970	A230 New Process: 23-spline	
	Seal	8160S
	Bearing	307L
1978-1970	A230 New Process: 30-spline short shaft	
	Seal	7300S
	Bearing	1307
	Seal Kit	5206 ⁶⁴
1971-1957	A903 New Process	
	Seal	8160S
	Bearing	1207L
1970-1966	A745 New Process: 26-spline shaft	
	Seal	8935S
	Bearing	1307
	Seal Kit	5207 ⁶⁴
1970-1960	A745 New Process: 23-spline shaft	
	Seal	8160S
	Bearing	2061

[] Indicates Quantity Required; Set Components Listed Inside Rear Cover;

²⁰ Not currently in production; check for availability ⁶⁴ Opt. Seal and Bushing Kit

Bearings and Seals

Mfg./Year Model & Location Part No Mfg./Year Model & Location Part No

DODGE - REAR DRIVE - Coronet, Custom Series, Diplomat, Matador, Mirada, Monaco, Polara, Royal, Royal Lancer, Royal Monaco, St. Regis, Sierra, Silver Challenger, 330, 440, 880 (cont.)

3-SPEED MANUAL TRANSMISSION (cont.)

Rear Output Shaft (cont.)

1970-1960	A745 New Process: 30-spline shaft	
Seal	7300S	
Bearing	1307	
Seal Kit	5206 ⁶⁴	
1964-1960	85 Warner	
Seal	8160S	
Bearing	1307	
1957-1946	Chrysler L/D	
Seal	8160S	
Bearing	1207L	

Reverse Idler

1978-1946	Chrysler L/D; New Process A230, A745, A903	
Needle Bearing	C1086Q[22]	

Selector Shaft Seal/Man. Shaft

1978-1957		
Seal	7188S	
Kwik Slv (Opt Rpr)	KWK99062	

4-SPEED MANUAL TRANSMISSION

Input Shaft

1978-1974	A833 New Process: 23-spline shaft	
Seal	9376	
Bearing	308LOE	
Kwik Slv (Opt Rpr)	KWK99118	
1973-1964	A833 New Process: 18-spline shaft	
Seal	9487	
Bearing	307L	
Kwik Slv (Opt Rpr)	KWK99118	
1963	T10 Warner	
Seal	9376	
Bearing	307LI	

Mainshaft Pilot

1978-1964	New Process A833	
Needle Bearing	QBR23549[16]	
1963	Warner T10	
Needle Bearing	QA19792[14]	

Rear Output Shaft

1978-1970	A833 New Process: 26-spline shaft	
Seal	2506	
Bearing	307L	
1974-1964	A833 New Process: 30-spline shaft	
Seal	7300S	
Bearing	308LOE	
Seal Kit	5206 ⁶⁴	

4-SPEED MANUAL TRANSMISSION (cont.)

Rear Output Shaft (cont.)

1969-1966	A833 New Process: 26-spline shaft	
Seal	2506	
Bearing	1307	
1965-1964	A833 New Process: 26-spline shaft	
Seal	2506	
Bearing	307TB	
1965-1964	A833 New Process: 23-spline shaft	
Seal	8160S	
Bearing	2061	
1963	T10 Warner	
Seal	8160S	
Bearing	307LI	

OVERDRIVE UNIT

Output Shaft

1959-1953	Warner R10	
Seal	470059	
Bearing	2061	
Kwik Slv (Opt Rpr)	KWK99059	

Selector Shaft Seal/Man. Shaft

1959-1953	Warner R10	
Seal	340797	
Kwik Slv (Opt Rpr)	KWK99059	

Free Wheel Cam

1959-1953	Warner R10	
Needle Bearing	W585Q[12]	

Solenoid

1959-1953	Warner R10	
Seal	240698	

DRIVESHAFT SUPPORT

1959-1956		
Bearing	107DD	
1955-1953		
Bearing	206FF	
1952-1946		
Bearing	207S	

POWER STEERING

Pump Shaft

1989-1965	(Saginaw pump)	
Seal	7013S	
1967-1958	(Federal pump)	
Seal	8773S	
1957-1951	Eaton pump	
Seal	6835S	
Bearing	203FF	

172 [] Indicates Quantity Required; Set Components Listed Inside Rear Cover;

⁶⁴ Opt. Seal and Bushing Kit

Mfg./Year Model & Location Part No Mfg./Year Model & Location Part No

DODGE - REAR DRIVE - Coronet, Custom Series, Diplomat, Matador, Mirada, Monaco, Polara, Royal, Royal Lancer, Royal Monaco, St. Regis, Sierra, Silver Challenger, 330, 440, 880 (cont.)

POWER STEERING

Sector Shaft

1989-1953 (Chrysler design)
Seal 6859S

Thrust

1979-1958 (Chrysler design)
Needle Bearing Thrust FA20157[2]

Worm Shaft

1989-1958 (Chrysler design)
Seal 7188S

MANUAL STEERING

Pitman Shaft

1960
Seal 240731

Sector Shaft

1979-1955 (Chrysler design)
Seal 6859S
1954-1946
Seal 240356

Worm Shaft

1979-1962 (Chrysler design)
Seal 7214
Bearing 8572[2]
1961-1960
Seal 340797
1959
Seal 470567
1958-1955
Seal 41267S
1954-1949
Seal 41267S
Cone/Cup A4059-A4138[2]

CRANKSHAFT REAR SEAL

6 Cylinder

1983-1970 225/3.7L
Seal 5650
1959-1946 230/3.8, 236/3.9
Seal 5414

8 Cylinder

1989-1957 273/4.5, 318/5.2, 340/5.6, 360/5.9
Seal 5414
1978-1963 383/6.3, 426/7.0, 440/7.2
Seal 5576

TIMING COVER

6 Cylinder

1983-1963
Seal 3095
Kwik Slv (Opt Rpr) KWK99226
1959-1946 230/3.8, 236/3.9
Seal 6636S
Kwik Slv (Opt Rpr) KWK99218
Harmonic Balancer
Sleeves 88218

8 Cylinder

1989-1957
Seal 3103
Kwik Slv (Opt Rpr) KWK99218
Harmonic Balancer
Sleeves 88218

DODGE IMPORT - see also Hillman, Mitsubishi - Challenger, Colt, Colt Vista, Conquest, Stealth

FRONT WHEEL

1989-1985 Colt
Seal (inner) 474134[2]
Set (inner) SET41
Set (outer) SET41
1989 2000GTX: Canada only
Seal 225230[2]
Bearing 513036[2]
1989-1985 Colt Vista 4x4
Seal (inner) 225450[2]
Bearing (inner) 513036[2]
Seal (outer) 225230[2]

FRONT WHEEL (cont.)

1989-1984 Colt Vista 4x2
Seal (inner) 474134[2]
Set (inner) SET41
Seal (outer) 474134[2]
Set (outer) SET41
1989-1984 Conquest
Seal (inner) 494122[2]
Set (inner) SET6
Set (outer) SET2

Bearings and Seals

Mfg./Year Model & Location Part No Mfg./Year Model & Location Part No

DODGE IMPORT - see also Hillman, Mitsubishi - Challenger, Colt, Colt Vista, Conquest, Stealth (cont.)

FRONT WHEEL (cont.)

1984	Colt front drive turbo	
	Seal (inner)	474134[2]
	Set (inner)	SET41
	Set (outer)	SET41
1984-1979	Colt front drive exc. turbo	
	Seal (inner)	474134[2]
	Cone/Cup (inner)	LM29748-LM29710[2]
	Cone/Cup (outer)	LM29748-LM29710[2]
1983-1978	Challenger	
	Seal (inner)	494122[2]
	Set (inner)	SET6
	Set (outer)	SET2
1980-1978	Colt rear drive Wagon	
	Seal (inner)	494122[2]
	Set (inner)	SET6
	Set (outer)	SET2
1977-1971	Colt	
	Seal (inner)	1196[2]
	Set (inner)	SET4
	Set (outer)	SET1
1977-1971	Colt rear drive Sedan	
	Seal (inner)	1196[2]
	Set (inner)	SET4
	Set (outer)	SET1

REAR WHEEL

1989-1985	Colt Station Wagon: 4WD	
	Seal (inner)	1205N[2]
	Bearing Assy (inner)	513029[2]
	Bearing Assy (outer)	513029[2]
1989	2000 GTX	
	Seal (inner)	1196[2]
	Set (inner)	SET4
	Set (outer)	SET1
1989	Colt Vista: 4WD	
	Seal (inner)	1196[2]
	Set (inner)	SET4
	Set (outer)	SET1
1989-1985	Colt Vista: front drive	
	Seal (inner)	1196[2]
	Set (inner)	SET4
	Set (outer)	SET1
1989	Colt: disc brakes; 2dr	
	Seal (inner)	1205N[2]
	Bearing Assy (inner)	516000[2]
	Bearing Assy (outer)	516000[2]
1989	Colt: drum brakes; 2dr	
	Seal (inner)	1205N[2]
	Bearing Assy (inner)	516001WB[2]
	Bearing Assy (outer)	516001WB[2]
1989	Colt 4dr	
	Seal (inner)	1205N[2]
	Bearing Assy (inner)	513029[2]
	Bearing Assy (outer)	513029[2]
1989-1984	Conquest	
	Seal (inner)	494122[2]
	Set (inner)	SET6
	Set (outer)	SET2

REAR WHEEL (cont.)

1988	Colt	
	Seal (inner)	1205N[2]
	Bearing (inner)	513028[2]
	Bearing Assy (outer)	513029[2]
1987-1985	Colt	
	Seal (inner)	710338[2]
	Bearing Assy (inner)	513029[2]
	Bearing Assy (outer)	513029[2]
1986-1985	Colt Vista: 4WD	
	Bearing	RW122[2]
1984-1979	Colt	
	Seal (inner)	1196[2]
	Set (inner)	SET4
	Set (outer)	SET1
1983-1978	Challenger	
	Seal	1955[2]
	Bearing	514004[2]
1980-1971	Colt: rear drive	
	Seal	1955[2]
	Bearing	514004[2]

REAR AXLE

Differential

1983-1979	Challenger: 2600 engine	
	Bearing	207[2]
1979-1971	Challenger: 1600, 2000 engines	
	Bearing Assy	30207M[2]
1979-1971	Colt: rear drive	
	Bearing Assy	30207M[2]

Pinion

1988-1985	Conquest	
	Cone/Cup (inner)	HM89449-HM89410
	Seal (outer)	224255
	Cone/Cup (outer)	M86649-M86610
1983-1980	Challenger: 2600 engine	
	Cone/Cup (inner)	HM89449-HM89410
	Seal (outer)	224255
	Cone/Cup (outer)	M86649-M86610
1980-1978	Challenger: 1600, 2000 engines	
	Bearing Assy (inner)	32207M
	Bearing Assy (outer)	30305M
1980-1976	Colt: 2600 engine	
	Cone/Cup (inner)	HM89449-HM89410
	Seal (outer)	224255
	Cone/Cup (outer)	M86649-M86610
1980-1971	Colt: 1600, 2000 engines	
	Bearing Assy (inner)	32207M
	Bearing Assy (outer)	30305M

3-SPEED AUTOMATIC TRANSMISSION

Torque Converter

1982-1980	A94	
	Seal	331228H
	Kwik Slv (Opt Rpr)	KWK99149
1979-1974	A904	
	Seal	331228H
	Kwik Slv (Opt Rpr)	KWK99149

DODGE IMPORT - see also Hillman, Mitsubishi - Challenger, Colt, Colt Vista, Conquest, Stealth (cont.)

3-SPEED AUTOMATIC TRANSMISSION (cont.)

Torque Converter (cont.)

1974-1971	Borg Warner	
Seal		480479H
Kwik Slv (Opt Rpr)		KWK99168

Rear Seal/Ext. Housing

1982-1980	A94	
Seal		2506
1979-1974	A904	
Seal		2506
Bearing		206LOE ³⁸
1974-1971	Borg Warner	
Seal		1097N

Selector Shaft Seal/Man. Shaft

1982-1980	A94	
Seal		8609
1979-1974	A904	
Seal		8609
1974-1971	Borg Warner	
Seal		311189

4-SPEED AUTOMATIC TRANSMISSION

Torque Converter

1986-1984		
Seal Viton		2025
Kwik Slv (Opt Rpr)		KWK99166

Rear Seal/Ext. Housing

1986-1984		
Seal		223801

CLUTCH

Release Bearing

1989-1979	Colt: front drive: exc. 4WD	
Bearing Assy		614126
1989-1984	Colt Vista: front drive: exc. 4WD	
Bearing Assy		614126
1989-1985	Conquest: Intercooled turbo	
Bearing Assy		614053
1989-1984	Conquest: exc. Intercooled turbo	
Bearing Assy		614016
1983-1978	Challenger 2000, 2600	
Bearing Assy		614016
1980-1978	Challenger 1600	
Bearing Only		01496
1980-1974	Colt: rear drive: 4-speed	
Bearing Assy		614044
1980-1974	Colt: rear drive: 5-speed	
Bearing Assy		614016

4-SPEED MANUAL TRANSMISSION

Input Shaft

1980-1971		
Seal Viton		712007
Bearing		307L
Kwik Slv (Opt Rpr)		KWK99098

Rear Output Shaft

1980-1971		
Seal		223240
Bearing		306L

5-SPEED MANUAL TRANSMISSION

Front Input Shaft

1986-1985	KM132G	
Seal		223014
Bearing		307L
Kwik Slv (Opt Rpr)		KWK99114
1986-1976	KM132, KM132-B	
Seal		223014
Bearing		207L
Kwik Slv (Opt Rpr)		KWK99114
1983-1976	KM119	
Seal Viton		712007
Bearing		208L
Kwik Slv (Opt Rpr)		KWK99098

Rear Output Shaft

1986-1984	KM132B, KM132G	
Seal		223608
Bearing		511014
1983-1976	KM119	
Seal		223240
Bearing		205BB
1983-1976	KM132	
Seal		223608

Selector Shaft Seal/Man. Shaft

1986-1976		
Seal		710222

3-SPEED AUTOMATIC TRANSAXLE

Torque Converter

1989-1979		
Seal		320583
Kwik Slv (Opt Rpr)		KWK99157

Output Shaft

1989-1979		
Seal		223543[2]
Kwik Slv (Opt Rpr)		KWK99139[2]

[] Indicates Quantity Required; Set Components Listed Inside Rear Cover;

³⁸ Use Old Snap Ring

Bearings and Seals

Mfg./Year Model & Location Part No Mfg./Year Model & Location Part No

DODGE IMPORT - see also Hillman, Mitsubishi - Challenger, Colt, Colt Vista, Conquest, Stealth (cont.)

3-SPEED AUTOMATIC TRANSAXLE

Differential

1989-1980	exc. KM172-0, KM172-5	
Bearing	207[2]
1989-1984	KM172-0, KM172-5	
Bearing Assy	30207M[2]
1979	KM170-0	
Bearing	207[2]

4-SPEED MANUAL TRANSAXLE

Differential

1989	F4M21-1	
Bearing	207[2]
1989-1987	KM200-0	
Bearing Assy	30207M[2]
1986-1979	KM160-2, KM161-0	
Bearing	207[2]

Input Shaft

1989-1987	F4M21-1, KM200-0	
Seal Viton	712007
Kwik Slv (Opt Rpr)	KWK99098
1986-1979	KM160-2, KM161-0	
Seal Viton	712007
Bearing	304WB
Kwik Slv (Opt Rpr)	KWK99098

Output Shaft

1989-1987	F4M21-1, KM200-0	
Seal	223543[2]
Bearing Assy	30206M[2]
Kwik Slv (Opt Rpr)	KWK99139[2]
1986-1979	KM160-2, KM161-0	
Seal	223543[2]
Bearing Assy	30304[2]
Kwik Slv (Opt Rpr)	KWK99139[2]

Selector Shaft Seal/Man. Shaft

1989-1979	KM160-2	
Seal	710222

5-SPEED MANUAL TRANSAXLE

Differential

1989-1985	KM182-2, F5M22-2, KM182-0, KM206-0, KM221-1	
Bearing Assy	30207M[2]
1989-1980	F5M21-1, F5M21-2, W5M31-2, W5M33-2, KM162-0, KM162-0, KM163-0, KM201-0	
Bearing	207[2]
1979	KM162-0	
Bearing	207[2]

5-SPEED MANUAL TRANSAXLE

Input Shaft

1989-1985	KM182-2, KM182-0, KM221-1	
Seal Viton (center)	712007
Bearing (center)	304WB
Bearing Assy (rear)	30304
Kwik Slv (Opt Rpr)	KWK99098
1989-1987	KM201-0, KM206-0	
Seal Viton (center)	712007
Bearing (center)	304WB
Bearing (rear)	108A
Kwik Slv (Opt Rpr)	KWK99098
1987-1980	KM162-0, KM163-0	
Seal Viton	712007
Bearing	304WB
Kwik Slv (Opt Rpr)	KWK99098
1979	KM162-0	
Seal Viton	712007
Bearing	304WB
Kwik Slv (Opt Rpr)	KWK99098

Output Shaft

1989-1987	F5M21-1, F5M21-2, F5M22-2, KM201-0, KM206-0	
Seal	223543[2]
Bearing Assy	30206M[2]
Kwik Slv (Opt Rpr)	KWK99139[2]
1989-1980	KM182-2, KM162-0, KM163-0, KM221-1, F5M31-2, F5M33-2,	
Seal	223543[2]
Kwik Slv (Opt Rpr)	KWK99139[2]
1979	KM162-0	
Seal	223543[2]
Bearing Assy	30304[2]
Kwik Slv (Opt Rpr)	KWK99139[2]

DRIVESHAFT SUPPORT

1989-1985	Colt Vista AWD	
Hanger Bearing Assy	HB25

CAMSHAFT SEAL

4 Cylinder

1989		
Seal	3771[2]
Kwik Slv (Opt Rpr)	KWK99139[2]
1986-1980	2555cc/2.6L	
Seal	222330
1980-1979	1410cc/1.4L, 1597cc/1.6	
Seal	3771
Kwik Slv (Opt Rpr)	KWK99139

CRANKSHAFT REAR SEAL

4 Cylinder

1989-1984	1595cc/1.6L (DOHC), 1597cc/1.6L, 1755cc/1.8L, 1997cc/2.0L, 2351cc/2.4L	
Seal Viton	228005
Kwik Slv (Opt Rpr)	KWK99315

DODGE IMPORT - see also Hillman, Mitsubishi - Challenger, Colt, Colt Vista, Conquest, Stealth (cont.)

CRANKSHAFT REAR SEAL (cont.)

4 Cylinder (cont.)

1986-1980	1410cc/1.4L, 1468cc/1.5L, 1597cc/1.6L, 1755cc/1.8L0L	
Seal		227235
1986-1979	1995cc/2.0, 2555cc/2.6	
Seal Viton		228005
Kwik Slv (Opt Rpr)		KWK99312
1980-1979	1410cc/1.4L, 1597cc/1.6	
Seal		227235

6 Cylinder

1989	2970cc/3.0L	
Seal		228010
Kwik Slv (Opt Rpr)		KWK99315

TIMING COVER

4 Cylinder

1989-1980	1595cc/1.6L (DOHC), 1597cc/1.6L, 1755cc/1.8L, 1997cc/2.0L, 2351cc/2.4L	
Seal		224460
1989-1985	1468cc/1.5L	
Seal		223018
Kwik Slv (Opt Rpr)		KWK99114
1984-1980	1410cc/1.4L	
Seal		712001
Kwik Slv (Opt Rpr)		KWK99114

TIMING COVER (cont.)

4 Cylinder (cont.)

1980-1976	1597cc/1.6L	
Seal		224460
1979	1410cc/1.4L	
Seal		223018
Kwik Slv (Opt Rpr)		KWK99114
1979-1974	1995cc/2.0, 2555cc/2.6	
Seal		224840
Kwik Slv (Opt Rpr)		KWK99189
1979-1974	2555cc/2.6L	
Seal		224840
Kwik Slv (Opt Rpr)		KWK99189

6 Cylinder

1989	2970cc/3.0L	
Seal Viton		710196
Kwik Slv (Opt Rpr)		KWK99157

DODGE TRUCK - MINIVAN, AWD MINIVAN - Caravan, Mini Ram Van

FRONT WHEEL

1989	15" wheels	
Seal		5604[2] ⁵⁶
Hub Assy		513074[2] ⁴⁴
1989-1988	14" wheels	
Seal		5604[2] ⁵⁶
Bearing		513006[2]
Hub Assy Opt:bolt-on		
5-lug		518502[2] ⁶²
1989-1988	14" wheels	
Seal		5604[2] ⁵⁶
Bearing		513006[2]
Hub Assy Opt:bolt-on		
4-lug		518501[2] ⁶²
1988	15" wheels	
Hub Assy		HA590197[2] ⁴⁵
1987-1984	5-lug wheels	
Seal		5604[2] ⁵⁶
Bearing		513006[2]
Hub Assy Opt:bolt-on		
5-lug		518502[2] ⁶²
1987-1984	4-lug wheels	
Seal		5604[2] ⁵⁶
Bearing		B39[2]
Hub Assy		518500[2] ⁶²

REAR WHEEL

1989-1984		
Seal (inner)		4249[2]
Set (inner)		SET17
Set (outer)		SET16

CLUTCH

Release Bearing

1989-1984	4-cylinder	
Bearing Assy (self aligning assy)		614007

3-SPEED AUTOMATIC TRANSAXLE

Torque Converter

1989-1983		
Seal		331228H
Kwik Slv (Opt Rpr)		KWK99149

[] Indicates Quantity Required; Set Components Listed Inside Rear Cover;

⁴⁴ Bearing Flange has Threaded Mounting Holes ⁴⁵ Bearing Flange has Non-Threaded Mounting Holes

⁵⁶ Opt. Kit incl: Seal 3948 & Sleeve ⁶² Kit incl: Hub & Bearing, Seal, Mounting Bolts

Bearings and Seals

Mfg./Year Model & Location Part No Mfg./Year Model & Location Part No

DODGE TRUCK - MINIVAN, AWD MINIVAN - Caravan, Mini Ram Van (cont.)

3-SPEED AUTOMATIC TRANSAXLE

Transfer Shaft

1989-1984 A404
Cone/Cup JL69349H-JL69310

Output Shaft

1989-1983 A404-31TH, A413
Set SET17[2]

Differential

1989-1983 A404
Seal 3459S[2]
Cone/Cup JL69349H-JL69310[2]

Selector Shaft Seal/Man. Shaft

1989-1983
Seal 8609

4-SPEED AUTOMATIC TRANSAXLE

Differential

1989 A604, A670
Set SET11[2]

Torque Convertor

1989-1988
Seal 331228H
Kwik Slv (Opt Rpr) KWK99149

Transfer Shaft

1989-1988 A604, A670
Set SET11[2]
1988-1984 A604
Cone/Cup JL69349H-JL69310[2]

Output Shaft

1989 A604, A670
Seal 3459S[2]
Set SET17[2]

Selector Shaft Seal/Man. Shaft

1989-1988
Seal 8609

4-SPEED MANUAL TRANSAXLE

Differential

1986-1984
Seal 3459S[2]
Set SET11[2]
Kwik Slv (Opt Rpr) KWK99157[2]

4-SPEED MANUAL TRANSAXLE

Input Shaft

1986-1984
Seal (front) 3732S
Set (front) SET4
Kwik Slv (Opt Rpr) KWK99106
Set (rear) SET5

Selector Shaft Seal/Man. Shaft

1986-1984
Seal 3816

5-SPEED MANUAL TRANSAXLE

Differential

1989-1984 A465, A520, A523, A525, A555
Seal 3459S[2]
Set SET11[2]
Kwik Slv (Opt Rpr) KWK99157[2]

Input Shaft

1989-1984 A465, A520, A523, A525, A555
Seal (front) 3732S
Set (front) SET4
Set (rear) SET5

Selector Shaft Seal/Man. Shaft

1989-1981 A465, A520, A523, A525, A555
Seal 3816

CAMSHAFT SEAL

4 Cylinder

1989-1987 153/2.5L
Seal 3655S
Kwik Slv (Opt Rpr) KWK99139
1987-1984 156/2.6L
Seal 222330
1987-1984 135/2.2L
Seal (front) 3655S
Kwik Slv (Opt Rpr) KWK99139
Seal (rear) 4040N
Kwik Slv (Opt Rpr) KWK99139

6 Cylinder

1989-1987 181/3.0L
Seal 3771[2]
Kwik Slv (Opt Rpr) KWK99139[2]

CRANKSHAFT REAR SEAL

4 Cylinder

1989-1984 135/2.2L, 148/2.4L, 153/2.5L
Seal Viton 710056
Seal PTFE H/D Opt. 5279
1987-1984 156/2.6L
Seal Viton 228005
Kwik Slv (Opt Rpr) KWK99315

DODGE TRUCK - MINIVAN, AWD MINIVAN - Caravan, Mini Ram Van (cont.)

CRANKSHAFT REAR SEAL

6 Cylinder

1989-1987 181/3.0L, 201/3.3L, 231/3.8L,
 Seal Viton 710056
 Seal PTFE H/D Opt. 5279

TIMING COVER

4 Cylinder

1989 153/2.5L
 Seal 3638
 Kwik Slv (Opt Rpr)KWK99112
 1988-1984 135/2.2L, 153/2.5L
 Seal 3655S
 Kwik Slv (Opt Rpr)KWK99112
 1987-1984 156/2.6L
 Seal 224840
 Kwik Slv (Opt Rpr)KWK99189

6 Cylinder

1989-1987 181/3.0L
 Seal 223750

DODGE - LIGHT TRUCK - D50, Raider, Ram 50

FRONT WHEEL

2WD

1989-1979
 Seal (inner) 225010[2]
 Set (inner) SET5
 Set (outer) SET3

4WD

1989-1982
 Seal (inner) 225875[2]
 Set (inner) SET47
 Set (outer) SET47

REAR WHEEL

1989-1979
 Seal (inner) 4989[2]
 Seal (outer) 225110[2]
 Bearing Assy (outer) 30208M[2]

4WD FRONT AXLE

Differential

1989 6-cylinder engines
 Seal 710151[2]
 Cone/Cup 17887-17831[2]
 1989-1983 4-cylinder engines
 Seal 710335[2]
 Cone/Cup 17887-17831[2]

Pinion

1989-1983 4-cylinder engines
 Cone/Cup (inner) HM89449-HM89410
 Seal (outer) 224255
 Cone/Cup (outer) M86649-M86610
 1989 6-cylinder engines
 Cone/Cup (inner) HM89449-HM89410
 Seal (outer) 1943
 Cone/Cup (outer) M88043-M88010

4WD FRONT AXLE

Steering Knuckle

1989
 Seal 710146[2]

REAR AXLE

Differential

1989-1979
 Cone/Cup 17887-17831[2]

Pinion

1989 4-cyl
 Cone/Cup (inner) HM89449-HM89410
 Seal (outer) 224570
 Cone/Cup (outer) M88043-M88010
 Kwik Slv (Opt Rpr)KWK99177
 1989 6-cyl
 Cone/Cup (inner) HM89249-HM89210
 Seal (outer) 224570
 Cone/Cup (outer) M88043-M88010
 Kwik Slv (Opt Rpr)KWK99177
 1988-1979
 Cone/Cup (inner) HM89449-HM89410
 Seal (outer) 224570
 Cone/Cup (outer) M88043-M88010
 Kwik Slv (Opt Rpr)KWK99177

TRANSFER CASE

Input Shaft

1989-1982 KM100 (M/T)
 Seal 224560
 Bearing 5209W
 Kwik Slv (Opt Rpr)KWK99177
 1989-1982 KM100 (A/T)
 Seal 1992
 Bearing 5209W
 Kwik Slv (Opt Rpr)KWK99177

Bearings and Seals

Mfg./Year Model & Location Part No Mfg./Year Model & Location Part No

DODGE - LIGHT TRUCK - D50, Raider, Ram 50 (cont.)

TRANSFER CASE

Front Output Shaft

1989-1982
 Seal 223608
 Bearing 306TB[2]
 Kwik Slv (Opt Rpr) KWK99146

Rear Output Shaft

1989-1982
 Seal 224052
 Bearing 211TB
 Kwik Slv (Opt Rpr) KWK99157

3-SPEED AUTOMATIC TRANSMISSION

Torque Converter

1986-1979
 Seal 331228H
 Kwik Slv (Opt Rpr) KWK99149

Rear Seal/Ext. Housing

1986-1979
 Seal 2506

Selector Shaft Seal/Man. Shaft

1986-1979
 Seal 8609

4-SPEED AUTOMATIC TRANSMISSION

Torque Converter

1989-1987 Aisin
 Seal 223830
 Kwik Slv (Opt Rpr) KWK99147

Rear Seal/Ext. Housing

1989-1987 Aisin
 Seal 710319

CLUTCH

Pilot Bearing

1989 6-cylinder engines
 Bearing 203FF
1989-1979 4-cylinder engines
 Bearing 102CC

Release Bearing

1989-1987 Raider: 4-cylinder exc. 2.6 liter 4-cylinder: hydraulic mechanism
 Bearing Assy 614016
1989-1988 Raider: 6-cylinder
 Bearing Assy 614107
1989-1987 50 Series Trucks: 6-cylinder
 Bearing Assy 614107
1989-1979 50 Series Trucks: 4-cylinder exc. 2.6 liter 4-cylinder hydraulic mechanism
 Bearing Assy 614016

CLUTCH (cont.)

Release Bearing (cont.)

1989-1987 Raider: 2.6 liter 4-cylinder: hydraulic mechanism
 Bearing Assy 614053
1989-1987 50 Series Trucks: 2.6 liter 4-cylinder: hydraulic mechanism
 Bearing Assy 614053

4-SPEED MANUAL TRANSMISSION

Input Shaft

1985-1983 KM130-1, KM130-4, KM144-0, KM144-3
 Seal 223014
 Bearing 307L
 Kwik Slv (Opt Rpr) KWK99114
1981-1980 KM110
 Seal Viton 712007
 Bearing 307L
 Kwik Slv (Opt Rpr) KWK99098

Rear Output Shaft

1985-1983 KM130-1, KM130-4, KM144-0, KM144-3
 Seal 223608
 Bearing 207L
1981-1980 KM110
 Seal 223240
 Bearing 306L

5-SPEED MANUAL TRANSMISSION

Front Input Shaft

1989 M1S5
 Seal 223255
 Kwik Slv (Opt Rpr) KWK99128
1989-1982 exc. KM119, M1S5
 Seal 223014
 Bearing 307L
 Kwik Slv (Opt Rpr) KWK99114
1981-1980 KM119
 Seal Viton 712007
 Bearing 208L
 Kwik Slv (Opt Rpr) KWK99098

Rear Output Shaft

1989-1987 KM132-1, KM145-8, KM145-9
 Seal 223608
 Bearing 511014
1989-1982 KM132-J, KM132-K, KM132-8
 Seal 223608
 Bearing RW122
1986-1982 KM132-E, KM132-9
 Seal 223608
1986-1982 KM145-1 thru KM145-5
 Seal 223608
 Bearing RW122
1981-1980 KM119
 Seal 223240
 Bearing 205BB

DODGE - LIGHT TRUCK - D50, Raider, Ram 50 (cont.)

DRIVESHAFT SUPPORT

1989-1987	Power Ram 50	
	Hanger Bearing Assy	HB30
1989-1983	Ram 50	
	Hanger Bearing Assy	HB14
1986-1983	Power Ram 50	
	Hanger Bearing Assy	HB14
1982-1980	D50	
	Hanger Bearing Assy	HB14

CAMSHAFT SEAL

4 Cylinder

1989-1983	1997cc/2.0L, 2346cc/2.3L, 2350cc/2.4L	
	Seal	3771
	Kwik Slv (Opt Rpr)	KWK99139
1989-1980	2555cc/2.6L	
	Seal	222330

6 Cylinder

1989	2972cc/3.0L	
	Seal	3771
	Kwik Slv (Opt Rpr)	KWK99139

CRANKSHAFT REAR SEAL

4 Cylinder

1989-1980	1997cc/2.0L, 2346cc/2.3L, 2350cc/2.4L, 2555cc/2.6L	
	Seal Viton	228005
	Kwik Slv (Opt Rpr)	KWK99315

TIMING COVER

4 Cylinder

1989-1983	1997cc/2.0L, 2346cc/2.3L	
	Seal	224460
1989-1979	2555cc/2.6L	
	Seal	224840
	Kwik Slv (Opt Rpr)	KWK99189

DODGE TRUCK - 1/2 TON - A100 PICKUP / VAN, B100, B150, B1500 VANS, D100, D150 PICKUP, Ramcharger, W100, W150 PICKUP, WM300 Power Wagon PICKUP

FRONT WHEEL

2WD

1989-1987	Dakota	
	Seal (inner)	3087[2]
	Set (inner)	SET11
	Set (outer)	SET16
1989-1984	5-lug wheels	
	Seal (inner)	3087[2]
	Set (inner)	SET11
	Set (outer)	SET16
1989-1984	8-lug wheels	
	Seal (inner)	493291[2]
	Set (inner)	SET45
	Cone/Cup (outer)	15101-15245[2]
1983-1973	5-lug wheels	
	Seal (inner)	5121[2]
	Set (inner)	SET17
	Set (outer)	SET16
1983-1973	8-lug wheels	
	Seal (inner)	3087[2]
	Set (inner)	SET11
	Set (outer)	SET16
1972	B100: disc brake	
	Seal (inner)	5121[2]
	Set (inner)	SET5
	Set (outer)	SET3
1972-1969	B100: drum brake	
	Seal (inner)	6960[2]
	Set (inner)	SET5
	Set (outer)	SET2

FRONT WHEEL (cont.)

2WD (cont.)

1972-1957	D100	
	Seal (inner)	6960[2]
	Set (inner)	SET5
	Set (outer)	SET2
1971	B100: disc brake	
	Seal (inner)	8473S[2]
	Set (inner)	SET5
	Set (outer)	SET3
1971-1964	A100	
	Seal (inner)	8121S[2]
	Set (inner)	SET6
	Set (outer)	SET2
1965-1964	P100	
	Seal (inner)	6960[2]
	Set (inner)	SET5
	Set (outer)	SET3
1956-1948		
	Seal (inner)	6960[2]
	Cone/Cup (inner)	14138A-14276[2]
	Cone/Cup (outer)	09074-09194[2]

Bearings and Seals

Mfg./Year Model & Location Part No Mfg./Year Model & Location Part No

DODGE TRUCK - 1/2 TON - A100 PICKUP / VAN, B100, B150, B1500 VANS, D100, D150 PICKUP, Ramcharger, W100, W150 PICKUP, WM300 Power Wagon PICKUP (cont.)

FRONT WHEEL

4WD

1989-1986	100/150 Series: locking hub	
Seal (inner)	4250[2]
Cone/Cup (inner)	LM104949-JLM104910[2]
Set (outer)	SET45
1989-1987	Dakota: 5-lug	
Hub Assy	513082[2]
1985-1980	100/150 Series: non-locking hub	
Seal (inner)	413248[2]
Cone/Cup (inner)	LM104949-JLM104910[2]
Set (outer)	SET45
1985-1980	100/150 Series: locking hub	
Seal (inner)	471271[2]
Cone/Cup (inner)	LM104949-JLM104910[2]
Set (outer)	SET45
1979-1975		
Seal	413248[2]
Set	SET25[2]
1974	Ramcharger	
Seal	413248[2]
Set	SET25[2]
1974-1969	exc. 1974 Ramcharger	
Seal (inner)	6960[2]
Set (inner)	SET37
Set (outer)	SET45
1968-1956		
Seal (inner)	40316S[2]
Cone/Cup (inner)	18685-18620[2]
Cone/Cup (outer)	18685-18620[2]

REAR WHEEL

1989-1987	Dakota	
Seal	8835S[2]
Cyl. Bearing	6408[2]
Kit	TRP1559TV[2] ¹⁹
1989-1986	B150; B1500	
Seal	8835S[2]
Cyl. Bearing	6408[2]
Kit	TRP1559TV[2] ¹⁹
1989-1984	H/D axle	
Seal	710067[2]
Cyl. Bearing	R1561TV[2]
Kit	TF01561R[2] ¹⁹
1989-1972	exc. H/D	
Seal	8835S[2]
Cyl. Bearing	6408[2]
Kit	TRP1559TV[2] ¹⁹
1977-1964	8.75" ring gear (flanged axle)	
Seal (inner)	8695S[2]
Seal (outer)	8704S[2]
Set (outer) (tapered bearing)	SET7
1971-1964	A100	
Seal (outer)	8704S[2]
Set (outer)	SET7
Seal (RH)	8695S
Acc. Pkg (RH) (kit)	A7RK ⁴⁶

REAR WHEEL (cont.)

1968-1965	D100: flanged axle	
Seal (outer)	8704S[2]
Set (outer)	SET7
Seal (RH)	8695S
Acc. Pkg (RH) (kit)	A7RK ⁴⁶
1968-1965	D100: non-flanged axle	
Seal (inner)	450746[2]
Cone/Cup (inner)	25880-25821[2]
Seal (outer)	6966S[2]
1968-1959	100 Series 4x4	
Seal (inner)	410825[2]
Cone/Cup (inner)	368A-362A[2]
Cone/Cup (outer)	359S-354A[2]
1968-1957	D100 exc. 100 series 4x4	
Seal (inner)	450746[2]
Cone/Cup (inner)	25880-25821[2]
Seal (outer)	6966S[2]
1965-1961	P100: flanged axle	
Seal (outer)	8704S[2]
Set (outer)	SET7
Seal (RH)	8695S
Acc. Pkg (RH) (kit)	A7RK ⁴⁶
1965-1961	P100: non-flanged axle	
Seal (inner)	450746[2]
Cone/Cup (inner)	25880-25821[2]
Seal (outer)	6966S[2]
1956-1946	B100	
Seal (inner)	450746[2]
Cone/Cup (inner)	2780-2735X[2]
Seal (outer)	6966S[2]

4WD FRONT AXLE

Axle Shaft

1989-1973	Dana/Spicer 44F-BJ axle	
Seal	5131[2]
Set	SET9
Needle Bearing (pilot)	B228[2]
1989-1986	7.25" ring gear	
Cyl. Bearing	5707[2]
Needle Bearing (intermediate)	B5020[2]
Needle Bearing (pilot)	B2516[2]
1972-1957	Dana/Spicer 44-3CF, 44-3F axles	
Seal	40769S[2]

Differential Rebuild Kit

1989-1987	Dakota: 7.25" ring gear	
Kit	DRK302
1989-1969	Dana/Spicer 44 axles	
Kit	DRK339B

Differential

1989-1969	Dana/Spicer 44 axles	
Cone/Cup	25590-25523[2]
1968-1957	Dana/Spicer 44 axles	
Cone/Cup	25577-25523[2]

182 [] Indicates Quantity Required; Set Components Listed Inside Rear Cover;

¹⁹ Opt. Axle Repair Bearing. Replaces O.E. bearing & seal.

⁴⁶ Opt. Kit incl: Metal & Foam gskt, Retainer,

8695S, 8704S

DODGE TRUCK - 1/2 TON - A100 PICKUP / VAN, B100, B150, B1500 VANS, D100, D150 PICKUP, Ramcharger, W100, W150 PICKUP, WM300 Power Wagon PICKUP (cont.)

4WD FRONT AXLE

Pinion

1989-1986	Dakota: 7.25" ring gear	
	Cone/Cup (inner)	HM88649-HM88610
	Seal (outer)	8516N
	Cone/Cup (outer)	M86649-M86610
	Kwik Slv (Opt Rpr)	KWK99168
1989-1957	Dana/Spicer 44 axles	
	Cone/Cup (inner)	31594-31520
	Cone/Cup (outer)	02872-02820
	Seal (outer)	5778
	Seal Viton Opt.	5778V
	Kwik Slv (Opt Rpr)	KWK99155

Spindle Kit

1989-1973	Dana/Spicer 44 axles	
	Bearing & Seal Kit	SBK1 ³³

Spindle

1989-1973	Dana/Spicer 44 axles	
	Seal (inner)	722108[2]
	Needle Bearing (inner)	B2110[2]
	Seal (outer)	722109[2]
1972-1957	Dana/Spicer 44 series	
	Needle Bearing	B2110[2]

Steering Knuckle

1968-1957	Dana/Spicer 44 axles	
	Seal	204005S[2]
	Cone/Cup	11590-11520[2]

Intermediate Shaft

1989-1988	Spicer 44 series (intermediate shaft)	
	Seal	710241[2]
	Needle Bearing	B5020[2]
	Needle Bearing (pilot)	SCE108[2]
1987-1983	Spicer 44 series (intermediate shaft)	
	Seal	473814[2]
	Needle Bearing	B5020[2]
	Needle Bearing (pilot)	SCE108[2]

REAR AXLE

Differential Rebuild Kit

1989-1974	9.25" ring gear	
	Kit	DRK304
1989-1969	8.25", 8.375" ring gears	
	Kit	DRK303
1989-1986	7.25" ring gear	
	Kit	DRK302
1974-1968	8.75" ring gear: 1.875" pinion shaft OD	
	Kit	DRK301
1968-1957	8.75" ring gear: 1.75" pinion shaft OD	
	Kit	DRK300

Differential

1989-1987	Dakota: 8.25"/8.375" ring gear	
	Set	SET36[2]
1989-1980	8.25", 8.375" ring gears	
	Set	SET36[2]
1989-1969	9.25" ring gear	
	Cone/Cup	JLM704649-JLM704610[2]
1989-1987	Dakota: 7.25" ring gear	
	Set	SET45[2]
1979-1976	8.375" ring gear	
	Set	SET36[2]
1975	8.375" ring gear: marked with "L"	
	Set	SET36[2]
1975	8.375" ring gear: not marked with "L"	
	Set	SET47[2]
1974-1972	8.375" ring gear	
	Set	SET47[2]
1974-1968	8.75" ring gear: 1.875" pinion shaft OD	
	Cone/Cup	LM104949-LM104912[2]
1972-1966	8.75" ring gear: 1.375" pinion shaft OD	
	Cone/Cup	LM104949-LM104912[2]
1968-1962	Dana/Spicer 70LD axle	
	Set	SET37[2]
1968-1957	8.75" ring gear: 1.75" pinion shaft OD	
	Cone/Cup	25590-25520[2]
1966-1958	RA-36 axle	
	Cone/Cup	25590-25520[2]
1957-1946	RA-36 axle	
	Cone/Cup	25580-25520[2]

Pinion

1989-1987	Dakota: 8.25" ring gear	
	Cone/Cup (inner)	M802048-M802011
	Seal (outer)	8516N
	Cone/Cup (outer)	M86649-M86610
1989-1980	8.25", 8.375" ring gears	
	Cone/Cup (inner)	M802048-M802011
	Seal (outer)	8516N
	Cone/Cup (outer)	M86649-M86610
1989-1986	Dakota: 7.25" ring gear	
	Cone/Cup (inner)	HM88649-HM88610
	Seal (outer)	8516N
	Cone/Cup (outer)	M86649-M86610
1979-1972	8.375" ring gear	
	Cone/Cup (inner)	M802048-M802011
	Seal (outer)	8516N
	Cone/Cup (outer)	M86649-M86610
1974-1968	8.75" ring gear: 1.875" pinion shaft OD	
	Cone/Cup (inner)	M804049-M804010
	Seal (outer)	5126
	Cone/Cup (outer)	M88048-M88010

[] Indicates Quantity Required; Set Components Listed Inside Rear Cover;
³³ Opt. Kit incl: Bearing B2110; Seals 722108 & 722109

Bearings and Seals

Mfg./Year Model & Location Part No Mfg./Year Model & Location Part No

DODGE TRUCK - 1/2 TON - A100 PICKUP / VAN, B100, B150, B1500 VANS, D100, D150 PICKUP, Ramcharger, W100, W150 PICKUP, WM300 Power Wagon PICKUP (cont.)

REAR AXLE (cont.)

Pinion (cont.)

1972-1966	8.75" ring gear: 1.375" pinion shaft OD	
	Cone/Cup (inner)	HM89446-HM89410
	Seal (outer)	8515N
	Cone/Cup (outer)	M88048-M88010
1968-1962	Dana/Spicer 70LD axle	
	Cone/Cup (inner)	HM807040-HM807010
	Seal (outer)	6808N
	Cone/Cup (outer)	HM88542-HM88510
1968-1957	8.75" ring gear: 1.75" pinion shaft OD	
	Cone/Cup (inner)	HM803149-HM803110
	Seal (outer)	7216
	Cone/Cup (outer)	HM89443-HM89410
1966-1951	RA-36 axle	
	Cone/Cup (inner)	HM89446-HM89410
	Cone/Cup (outer)	HM89443-HM89410
1950-1946	RA-36 axle	
	Cone/Cup (inner)	31593-31520
	Cone/Cup (outer)	31590-31520

TRANSFER CASE REBUILD KIT

1989-1988	New Process 205	
	Kit	TCRK205D
1989-1986	New Process 231	
	Kit	TCRK231 ⁵¹
1989-1988	New Process 241	
	Kit	TCRK241A ⁴⁸
1987-1986	New Process 207	
	Kit	TCRK207
1987-1969	New Process 205	
	Kit	TCRK205G
1986-1981	New Process 208	
	Kit	TCRK208SPK ⁴⁷
1979-1973	New Process 203	
	Kit	TCRK203G

TRANSFER CASE

Input Shaft

1989-1988	New Process 241	
	Seal	3173[2]
	Bearing	N5210KLB[2]
	Kwik Slv (Opt Rpr)	KWK99193
	Needle Bearing (pilot)	SCH1810
1987-1980	New Process 208	
	Seal	3173[2]
	Needle Bearing	B5020[2]
	Needle Bearing (pilot)	B2012
	Needle Bearing Thrust	AXK5070
1987-1969	New Process 205	
	Seal	473468[2]
	Bearing	1307L[2]
	Kwik Slv (Opt Rpr)	KWK99212[2]

TRANSFER CASE (cont.)

Input Shaft (cont.)

1979-1974	New Process 203	
	Seal	3173[2]
	Bearing	1210L[2]
	Kwik Slv (Opt Rpr)	KWK99193[2]
	Needle Bearing (pilot)	QAR29523[15]
1968-1957	New Process 201	
	Seal	410308[2]
	Bearing	307L1
	Kwik Slv (Opt Rpr)	KWK99212

Front Output Shaft

1989-1988	New Process 241	
	Seal	3946
	Bearing	207
	Kwik Slv (Opt Rpr)	KWK99187
	Needle Bearing (pilot)	J2416
1987-1980	New Process 208	
	Seal	3946
	Needle Bearing	B2816
	Kwik Slv (Opt Rpr)	KWK99187
	Needle Bearing (pilot)	J2416
	Needle Bearing Thrust	NTA2840[2]
1987-1969	New Process 205	
	Seal	710005
	Bearing	307L[2]
	Kwik Slv (Opt Rpr)	KWK99212
	Needle Bearing (pilot)	M28161
1979-1974	New Process 203	
	Seal	710005
	Bearing	307L[2]
	Kwik Slv (Opt Rpr)	KWK99174
	Needle Bearing (pilot)	M28161
1968-1957	New Process 201	
	Seal	410308
	Bearing	307L[2]
	Kwik Slv (Opt Rpr)	KWK99212

Rear Output Shaft

1989	New Process 241	
	Seal	4333N
	Bearing	207
	Kwik Slv (Opt Rpr)	KWK99187
	Needle Bearing (pilot)	B5020[2]
1989-1988	New Process 241	
	Seal	3946
	Bearing	207
	Kwik Slv (Opt Rpr)	KWK99187
	Needle Bearing (pilot)	B5020[2]
1987-1980	New Process 208	
	Seal	3946
	Bearing	1207L
	Kwik Slv (Opt Rpr)	KWK99187
	Needle Bearing (pilot)	B3616
	Needle Bearing Thrust	TC2435

184 [] Indicates Quantity Required; Set Components Listed Inside Rear Cover;

⁴⁷ Includes Small Parts Kit ⁴⁸ BD50-8 I/S Brg., 307 Front O/S Brg. ⁵¹ BD50-8 I/S Brg.

DODGE TRUCK - 1/2 TON - A100 PICKUP / VAN, B100, B150, B1500 VANS, D100, D150 PICKUP, Ramcharger, W100, W150 PICKUP, WM300 Power Wagon PICKUP (cont.)

TRANSFER CASE (cont.)

Rear Output Shaft (cont.)

1987-1969	New Process 205	
Seal	473468
Bearing	307L
Kwik Slv (Opt Rpr)	KWK99212
Needle Bearing (pilot)	B3216
1979-1974	New Process 203	
Seal	473204
Bearing	307L
Kwik Slv (Opt Rpr)	KWK99212
Needle Bearing (pilot)	QAR29523[15]
1968-1957	New Process 201	
Cone/Cup (inner)	3780-3720
Seal (outer)	410308
Cone/Cup (outer)	2793-2720
Kwik Slv (Opt Rpr)	KWK99212
Needle Bearing (pilot)	QBR23549[30]

Idler Shaft

1987-1986	New Process 205	
Cone/Cup	2793-2720[2]
1979-1974	New Process 203	
Needle Bearing	QAR29523[72]
1979-1957	New Process 201, 205	
Cone/Cup	2793-2720[2]

Oil Pump Housing

1989-1980	New Process 208, 231, 241	
Seal	341022
Kwik Slv (Opt Rpr)	KWK99225

Selector Shaft Seal/Man. Shaft

1987-1969	New Process 205	
Seal	2287[2]
Kwik Slv (Opt Rpr)	KWK99076[2]
1968-1957	New Process 201	
Seal	6835S[2]
Kwik Slv (Opt Rpr)	KWK99076[2]

TRANSMISSION REBUILD KIT

1989-1987	New Venture 535	
Kit	TRK535

AUTOMATIC TRANSMISSION

Torque Converter

1960-1956		
Seal	6879H
Kwik Slv (Opt Rpr)	KWK99212
1954		
Seal	331107N
Kwik Slv (Opt Rpr)	KWK99199

AUTOMATIC TRANSMISSION

Rear Seal/Ext. Housing

1960-1956	Power-flite: 2-speed	
Bearing	206WB
1954	Automatic Drive	
Seal	7300S
Seal Kit	5203 ⁶⁴
1954-1948	Fluid Drive	
Seal	8160S
Bearing	206WB

Input Shaft

1954-1948		
Bearing	1307SLI

Output Shaft

1954-1948		
Bearing	307TB

3-SPEED AUTOMATIC TRANSMISSION

Torque Converter

1989-1965	A904, A998, A999, 31RH, 32RH	
Seal	331228H
Kwik Slv (Opt Rpr)	KWK99149
1989-1961	A727, 36RH	
Seal	331227H
Kwik Slv (Opt Rpr)	KWK99187
1960-1957		
Seal	6988H
Kwik Slv (Opt Rpr)	KWK99193

Rear Seal/Ext. Housing

1989-1987	A998, A999, 31RH, 32RH	
Seal	2506
Bearing	206LOE ³⁸
1989-1987	A727, 36RH	
Seal	7300S
Bearing	207XLO
Seal Kit	5206 ⁶⁴
1986-1980	A727 (non-booted)	
Seal	8160S
Bearing	2061
1986-1980	A727 (booted)	
Seal	7300S
Bearing	207XLO
Seal Kit	5206 ⁶⁴
1986-1973	A904 (2WD)	
Seal	2506
Bearing	206LOE ³⁸
1986-1973	A904 (4WD)	
Seal	710058
Bearing	206LOE ³⁸
1979-1961	A727: 2-pc driveshaft	
Seal	8160S
Bearing	2061

[] Indicates Quantity Required; Set Components Listed Inside Rear Cover;
³⁸ Use Old Snap Ring ⁶⁴ Opt. Seal and Bushing Kit

Bearings and Seals

Mfg./Year Model & Location Part No Mfg./Year Model & Location Part No

DODGE TRUCK - 1/2 TON - A100 PICKUP / VAN, B100, B150, B1500 VANS, D100, D150 PICKUP, Ramcharger, W100, W150 PICKUP, WM300 Power Wagon PICKUP (cont.)

3-SPEED AUTOMATIC TRANSMISSION (cont.)

Rear Seal/Ext. Housing (cont.)

1979-1961	A727: 1-pc driveshaft	
Seal		7300S
Bearing		207XLO
Seal Kit		5206 ⁶⁴
1972-1965	A904	
Seal		8935S
Bearing		206LOE ³⁸
1959-1957		
Seal		473234

Clutch Cam

1989-1961	A727	
Needle Bearing		W585Q[12]

Selector Shaft Seal/Man. Shaft

1989-1965		
Seal		8609
1959-1957		
Seal		7929S

CLUTCH - 6 CYLINDER

Pilot Bearing

1989-1957		
Bushing H/D		PB286HD

CLUTCH - 8 CYLINDER

Pilot Bearing

1989-1959		
Bushing H/D		PB286HD

CLUTCH

Release Bearing

1989-1988	diesel engines	
Bearing Assy		614070
1989-1988	Dakota	
Bearing Assy		614054
1989-1968	100/150 Series: hydraulic clutch	
Bearing Assy		614054
1987-1969	100/150 Series: exc. hydraulic clutch	
Bearing Assy		614036
1968-1964	A100: 6-cylinder	
Bearing Only		1505
1968-1959	100 Series: exc. A100 6-cylinder	
Bearing Only		DC2065C
1958-1957	300 Series: 3-speed	
Bearing Only		D2065C
1956-1954	B Series	
Bearing Only		D2065C

3-SPEED MANUAL TRANSMISSION

Front Input Shaft

1981-1980	A230 New Process: 20-spline	
Seal		9376
Bearing		308LOE
1981-1980	A230 New Process: 18-spline	
Seal		9376
Bearing		307LOI
1980-1974	Tremac	
Seal		482208
Bearing		208LO
Kwik Slv (Opt Rpr)		KWK99112
1979-1974	A230 New Process	
Seal		9376
Bearing		1307L
1973-1970	A230 New Process	
Seal		9376
Bearing		307LI
1971-1963	A903 New Process	
Seal		9376
Bearing		1207L
1971-1950	A250 New Process	
Seal		9376
Bearing		N307LOE
1970-1961	A745 New Process: 10-spline shaft	
Seal		353135
Bearing		307LI
Kwik Slv (Opt Rpr)		KWK99125
1970-1961	A745 New Process: 23-spline shaft	
Seal		9376
Bearing		307LI
Seal Kit		5206 ⁶⁴
1966-1959	Warner T87	
Bearing		1209L
1960-1959	T85 Warner	
Seal		353135
Bearing		307L
Kwik Slv (Opt Rpr)		KWK99125
1960-1946	Chrysler H/D	
Bearing		1207SL
1958-1946	Chrysler L/D	
Bearing		1207L

Mainshaft Pilot

1981-1980	New Process A230	
Needle Bearing		QBR23549[15]
1980-1974	Tremec 150T	
Needle Bearing		QBR23549[15]
1979-1961	New Process A230, A745, A903	
Needle Bearing		QBR23549[15]
1975-1971	New Process A250	
Needle Bearing		QBR23549[14]
1966-1959	Warner T87	
Needle Bearing		W1590Q[16]
1960-1959	Warner T85	
Needle Bearing		QBR23549[14]
1960-1953	Chrysler design	
Needle Bearing		QBR23549[14]

186 [] Indicates Quantity Required; Set Components Listed Inside Rear Cover;

³⁸ Use Old Snap Ring ⁶⁴ Opt. Seal and Bushing Kit

DODGE TRUCK - 1/2 TON - A100 PICKUP / VAN, B100, B150, B1500 VANS, D100, D150 PICKUP, Ramcharger, W100, W150 PICKUP, WM300 Power Wagon PICKUP (cont.)

3-SPEED MANUAL TRANSMISSION

Countershaft

1980-1974	Tremec 150T	
	Needle Bearing	C1086Q[50]
1975-1971	New Process A250	
	Needle Bearing	C407Q[88]
1971-1963	New Process A903	
	Needle Bearing	C1086Q[44]
1966-1959	Warner T87	
	Journal Bearing	J322080[2]
1960-1959	Warner T85	
	Needle Bearing	S443Q[88]
1958-1946	Chrysler L/D	
	Needle Bearing	C1086Q[44]

Rear Output Shaft

1981-1980	A230 New Process: 30-spline	
	Seal	7300S
	Bearing	308LOE
	Seal Kit	5206 ⁶⁴
1981-1980	A230 New Process: 26-spline	
	Seal	2506
	Bearing	307LOI
1981-1970	A230 New Process: 23-spline	
	Seal	8160S
	Bearing	307L
1980-1974	Tremec	
	Seal	7300S
	Bearing	207L
	Seal Kit	5206 ⁶⁴
1979-1970	A230 New Process: 30-spline	
	Seal	7300S
	Bearing	1307
	Seal Kit	5206 ⁶⁴
1975-1971	A250 New Process: 30-spline shaft	
	Seal	2506
	Bearing	N207XE
1975-1971	A250 New Process: 26-spline shaft	
	Seal	8935S
	Bearing	N307LOE
	Seal Kit	5207 ⁶⁴
1971-1963	A903 New Process	
	Seal	8160S
	Bearing	1207L
1970-1961	A745 New Process: 23-spline shaft	
	Seal	8160S
	Bearing	2061
1970-1961	A745 New Process: 30-spline shaft	
	Seal	7300S
	Bearing	1307
	Seal Kit	5206 ⁶⁴
1966-1959	Warner T87	
	Seal	450308
	Bearing	307LI

3-SPEED MANUAL TRANSMISSION (cont.)

Rear Output Shaft (cont.)

1960-1959	85 Warner	
	Seal	8160S
	Bearing	1307
1960-1946	Chrysler L/D	
	Seal	8160S
	Bearing	1207L

Selector Shaft Seal/Man. Shaft

1979-1961	New Process	
	Seal	7188S[2]
	Kwik Slv (Opt Rpr)	KWK99062[2]
1966-1959	Warner	
	Seal	340797
	Kwik Slv (Opt Rpr)	KWK99059

4-SPEED MANUAL TRANSMISSION

Transmission Rebuild Kit

1989-1986	New Process 435	
	Kit	TRK127G ⁵³
1989-1965	New Process 435	
	Kit	TRK127B ⁵⁴

Input Shaft

1989-1988	New Process 435	
	Seal	9376
	Bearing	308L
1989-1974	A833 New Process	
	Seal	9376
	Bearing	308LOE
1987-1969	New Process 435, 445	
	Seal	482163N
	Cone/Cup	HM88649-HM88610
	Kwik Slv (Opt Rpr)	KWK99138
1968-1967	New Process 435	
	Seal	482163N
	Bearing	1308L
	Kwik Slv (Opt Rpr)	KWK99138
1966-1963	New Process 435	
	Bearing	1308L
1966-1963	New Process 420	
	Bearing	1209SL
1963	New Process (1.250")	
	Seal	471413
	Cone/Cup	HM88649-HM88610
	Kwik Slv (Opt Rpr)	KWK99125
1963	New Process 435 (1.500" spline)	
	Seal	470059
	Cone/Cup	HM88649-HM88610
	Kwik Slv (Opt Rpr)	KWK99149
1963	New Process 435 (1.375" spline)	
	Seal	482163N
	Cone/Cup	HM88649-HM88610
	Kwik Slv (Opt Rpr)	KWK99138

[] Indicates Quantity Required; Set Components Listed Inside Rear Cover;
⁵³ Ball I/S Brg. ⁵⁴ Tapered I/S Brg. ⁶⁴ Opt. Seal and Bushing Kit

Bearings and Seals

Mfg./Year Model & Location Part No Mfg./Year Model & Location Part No

DODGE TRUCK - 1/2 TON - A100 PICKUP / VAN, B100, B150, B1500 VANS, D100, D150 PICKUP, Ramcharger, W100, W150 PICKUP, WM300 Power Wagon PICKUP (cont.)

4-SPEED MANUAL TRANSMISSION

Mainshaft Pilot

1989-1958 New Process 435, 445
 Needle Bearing Q15902[14]
1989-1974 New Process A833
 Needle Bearing QBR23549[16]

Countershaft

1989-1963 New Process 435, 436
 Needle Bearing (front) BCE2416
 Needle Bearing (rear) B3216
 Needle Bearing Thrust NTA2031
1981-1970 New Process 445
 Needle Bearing (front) BCE2416
 Needle Bearing (rear) B3216
1968-1946 New Process 420
 Bearing (front) 1207SL
 Needle Bearing (rear) M28161

Reverse Idler

1989-1963 New Process 435, 436
 Needle Bearing C407Q
1981-1980 New Process 445
 Needle Bearing Q8324[21]

Rear Output Shaft

1989-1988 New Process 435
 Seal 8160S
 Bearing 308L
1989-1974 A833 New Process
 Seal 7300S
 Bearing 308LOE
 Seal Kit 5206⁶⁴
1987-1969 New Process 435
 Seal 8160S
 Bearing 1308L
1981-1970 New Process 445
 Seal 8160S
 Cone/Cup M201047S-M201011
 Needle Bearing Thrust FA35688
1968-1963 New Process 435, 436
 Seal 470189
 Bearing 1308L
1968-1946 New Process 420
 Seal 450308
 Bearing 1307

5-SPEED MANUAL TRANSMISSION

Front Input Shaft

1989-1988 New Process A536, 2500
 Seal 9376
 Bearing 307LI
 Kwik Slv (Opt Rpr) KWK99106

5-SPEED MANUAL TRANSMISSION

Countershaft

1989-1988 New Process A536, 2500
 Cone/Cup (front) LM67048-LM67010BCE
 Set (rear) SET2

Mainshaft Pilot

1989-1988 New Process A536, 2500
 Needle Bearing QBR23549[16]

Mainshaft 1st Speed Gear

1989-1988 New Process A536, 2500
 Needle Bearing FW455017[2]

Rear Output Shaft

1989-1988 New Process A536, 2500 (4WD)
 Seal 710058
 Bearing 208
1989-1988 New Process A536, 2500 (2WD)
 Seal 2506
 Bearing 208

Extension Housing

1989-1988 New Process A536, 2500
 Bearing 1207L

A/C COMPRESSOR

1989-1978 Nippondenso
 Bearing 5000KFF
1983-1959 Chrysler / Airtemp
 Bearing 5206DD
1968-1959
 Bearing (Frt head) 205BB

ALTERNATOR

1987-1974 86, 100, 114 amp
 Bearing (drive end) 303SS
1987-1961 31, 41, 50, 53, 60, 65, 78 amp
 Bearing (drive end) 203FF
1987-1961 31, 41, 50, 53, 60, 65, 78 amp
 Bearing (rear end) MNJ471S

DRIVESHAFT SUPPORT

1989-1956 1.378" (35mm) bearing ID
 Bearing 88107
 Hanger Bearing Assy HB88107A
 Hanger Bearing Assy
 (assembly with slingers) HB88107B

POWER STEERING

Pump Shaft

1989-1961
 Seal 7013S
1960-1959 Eaton pump
 Seal 6835S

Mfg./Year Model & Location Part No Mfg./Year Model & Location Part No

DODGE TRUCK - 1/2 TON - A100 PICKUP / VAN, B100, B150, B1500 VANS, D100, D150 PICKUP, Ramcharger, W100, W150 PICKUP, WM300 Power Wagon PICKUP (cont.)

MANUAL STEERING

Sector Shaft

1989-1957	Saginaw design	
Seal		323126
1987-1962	Chrysler design	
Seal		6859S

Worm Shaft

1989-1957	Saginaw design	
Seal		323138
Bearing		8537[2]
1979-1974	Chrysler design	
Bearing		8572[2]

CAMSHAFT SEAL

4 Cylinder

1989-1988	153/2.5L	
Seal		3655S
Kwik Slv (Opt Rpr)		KWK99139

CRANKSHAFT REAR SEAL

6 Cylinder

1989-1987	239/3.9L	
Seal		5414
1987-1961	225/3.7L	
Seal		5650
1971-1961	170/2.8, 198/3.2	
Seal		5576

8 Cylinder

1989-1979	318/5.2L	
Seal		5414
1978-1967	383/6.3, 400/6.6, 413/6.7, 440/7.2	
Seal		5576

TIMING COVER

6 Cylinder

1989-1987	239/3.9L	
Seal		3103
Kwik Slv (Opt Rpr)		KWK99218

8 Cylinder

1989-1960	318/5.2L, 360/5.9L	
Seal		3103
Kwik Slv (Opt Rpr)		KWK99218

DODGE TRUCK - 3/4 TON - 200, 250 Series, 2500 Series, Pickup, Power Wagon, Van

FRONT WHEEL

2WD

1989-1986	B2500	
Seal (inner)		3087[2]
Set (inner)		SET11
Set (outer)		SET16
1989-1984	5-lug wheels: 3300 lb. axle	
Seal (inner)		3087[2]
Set (inner)		SET11
Set (outer)		SET16
1989-1984	8-lug wheels: 3700 lb. axle	
Seal (inner)		493291[2]
Set (inner)		SET45
Cone/Cup (outer)		15101-15245[2]
1989-1980	8-lug wheels: 3800 lb. axle	
Seal (inner)		493291[2]
Set (inner)		SET45
Cone/Cup (outer)		15101-15245[2]
1989-1980	8-lug wheels: 4000 lb. axle	
Seal (inner)		493291[2]
Set (inner)		SET45
Cone/Cup (outer)		15101-15245[2]

FRONT WHEEL (cont.)

2WD (cont.)

1983-1980	5-lug wheels: 3300 lb. axle	
Seal (inner)		5121[2]
Set (inner)		SET17
Set (outer)		SET16
1983-1978	8-lug wheels: 3600 lb. axle	
Seal (inner)		3087[2]
Set (inner)		SET11
Set (outer)		SET16
1979-1978	5-lug wheels: 3300 lb. axle	
Seal (inner)		5121[2]
Set (inner)		SET17
Set (outer)		SET16
1979-1973	8-lug wheels: 3800 & 4000 lb. axles	
Seal (inner)		493291[2]
Set (inner)		SET45
Cone/Cup (outer)		15101-15245[2]
1977-1973	5-lug wheels: 3000 lb. axle	
Seal (inner)		5121[2]
Set (inner)		SET17
Set (outer)		SET16

Bearings and Seals

Mfg./Year Model & Location Part No Mfg./Year Model & Location Part No

DODGE TRUCK - 3/4 TON - 200, 250 Series, 2500 Series, Pickup, Power Wagon, Van (cont.)

FRONT WHEEL (cont.)

2WD (cont.)

1977-1973	8-lug wheels: 3300 lb. axle	
Seal (inner)	3087[2]
Set (inner)	SET11
Set (outer)	SET16
1972-1970	B200: drum brakes	
Seal (inner)	6960[2]
Set (inner)	SET5
Set (outer)	SET2
1972-1970	B200: disc brakes	
Seal (inner)	8473S[2]
Set (inner)	SET5
Set (outer)	SET3
1972-1964	P200	
Seal (inner)	6781[2]
Set (inner)	SET5
Set (outer)	SET3
1972-1964	D200: 12" x 3" brakes	
Seal (inner)	493291[2]
Set (inner)	SET45
Cone/Cup (outer)	15101-15245[2]
1972-1964	D200: 12" x 2.5" brakes	
Seal (inner)	6781[2]
Set (inner)	SET5
Set (outer)	SET3
1963-1958		
Seal (inner)	6781[2]
Set (inner)	SET5
Set (outer)	SET3
1957		
Seal (inner)	6781[2]
Cone/Cup (inner)	14138A-14276[2]
Cone/Cup (outer)	12580-12520[2]
1956-1954		
Seal (inner)	6781[2]
Cone/Cup (inner)	14138A-14276[2]
Cone/Cup (outer)	09074-09194[2]
1953-1946		
Seal (inner)	5836[2]
Cone/Cup (inner)	14125A-14276[2]
Cone/Cup (outer)	09074-09194[2]

4WD

1989-1986	Dana/Spicer 44F-BJ axle	
Seal (inner)	4250[2]
Cone/Cup (inner)	LM104949-JLM104910[2]
Set (outer)	SET45
1989-1975	Dana/Spicer 60F axle	
Seal (inner)	415009[2]
Cone/Cup (inner)	387A-382A[2]
Set (outer)	SET38
1985-1980	Dana/Spicer 44F-BJ non-locking hub	
Seal (inner)	413248[2]
Cone/Cup (inner)	LM104949-JLM104910[2]
Set (outer)	SET45

FRONT WHEEL (cont.)

4WD (cont.)

1985-1980	Dana/Spicer 44F-BJ locking hub	
Seal (inner)	471271[2]
Cone/Cup (inner)	LM104949-JLM104910[2]
Set (outer)	SET45
1979-1975	Dana/Spicer 44F-BJ axle	
Seal (inner)	413248[2]
Set (inner)	SET25
Set (outer)	SET25
1974-1969	Dana/Spicer 70F axle	
Seal (inner)	411348[2]
Cone/Cup (inner)	387A-382A[2]
Set (outer)	SET38
1974-1969	Dana/Spicer 44-3CF, 44-3CFHD axles	
Seal (inner)	442380[2]
Set (inner)	SET37
Set (outer)	SET45
1968-1957	Dana/Spicer 44-3F axle	
Seal (inner)	40316S[2]
Cone/Cup (inner)	18685-18620[2]
Cone/Cup (outer)	18685-18620[2]

REAR WHEEL

1989-1980	B 200/250; 8.25", 8.375" ring gear	
Seal	8835S[2]
Cyl. Bearing	6408[2]
Kit	TRP1559TV[2] ¹⁹
1989-1984	9.25" ring gear: Heavy Duty	
Seal	710067[2]
Cyl. Bearing	R1561TV[2]
Kit	TF01561R[2] ¹⁹
1989-1980	D & W 200/250 Series: 9.25" ring gears: std. duty	
Seal	8835S[2]
Cyl. Bearing	6408[2]
Kit	TRP1559TV[2] ¹⁹
1989-1981	D250; W250; Spicer 70; (12x3" brakes)(9000 GVW)	
Seal (inner)	417158[2]
Cone/Cup (inner)	28682-28622[2]
Set (outer)	SET38
1989-1980	D & W 200/250 Series: Spicer 60HD, 70, 71 axles: 12"x3" brakes: exc. 9000 lb. axle	
Seal (inner)	455086[2]
Cone/Cup (inner)	45291-45220[2]
Set (outer)	SET38
1989-1977	D & W 200/250; Spicer 60; (12x2.5")	
Seal (inner)	4250[2]
Set (inner)	SET38
Set (outer)	SET38
1979-1972	D200; W200; Spicer 70; (12x3" brakes)(9000 GVW)	
Seal (inner)	417158[2]
Cone/Cup (inner)	28682-28622[2]
Set (outer)	SET38

190 [] Indicates Quantity Required; Set Components Listed Inside Rear Cover;

¹⁹ Opt. Axle Repair Bearing. Replaces O.E. bearing & seal.

DODGE TRUCK - 3/4 TON - 200, 250 Series, 2500 Series, Pickup, Power Wagon, Van (cont.)

REAR WHEEL (cont.)

1979-1972	D200; W200; Spicer 60HD, 70; (12x3" brakes)(exc. 9000 GVW)	
Seal (inner)	455086[2]
Cone/Cup (inner)	45291-45220[2]
Set (outer)	SET38
1979-1969	8.25", 8.375", 9.25" ring gears	
Seal (inner)	8835S[2]
Cyl. Bearing (inner)	6408[2]
Kit	TRP1559TV[2] ¹⁹
1977-1970	B200 Series: 8.75" ring gear	
Seal (inner)	8695S[2]
Seal (outer)	8704S[2]
Set (outer)	SET7
1973-1969	D200, P200, W 200; Spicer 60; (12x2.5" brakes)	
Seal (inner)	475458[2]
Cone/Cup (inner)	370A-362A[2]
Cone/Cup (outer)	359S-354A[2]
1968-1959	Spicer 60 axle, (12x2.5" brakes)	
Seal (inner)	410825[2]
Cone/Cup (inner)	368A-362A[2]
Cone/Cup (outer)	359S-354A[2]
1968-1957	D200; W200	
Seal (inner)	417485[2]
Cone/Cup (inner)	28682-28622[2]
Seal (outer)	417485[2]
Cone/Cup (outer)	28580-28521[2]

4WD FRONT AXLE

Axle Shaft

1989-1985	Dana/Spicer 44F-BJ axle	
Seal	5131[2]
Set	SET9
Needle Bearing (pilot)	B228[2]
1984-1973	Dana/Spicer 44F-BJ axle	
Seal	5131[2]
1979-1975	Dana/Spicer 60F axle	
Seal	470682[2]
1974-1957	Dana/Spicer 44-3CF, 44-3CFHD, 44-3F axles	
Seal	40769S[2]

Differential Rebuild Kit

1989-1975	Dana/Spicer 60F axle	
Kit	DRK331
1989-1968	Dana/Spicer 44-3CF, 44-3CFHD, 44F-BJ axles	
Kit	DRK339B
1974-1958	Dana/Spicer 70F axle	
Kit	DRK332

Differential

1989-1958	Dana/Spicer 60F, 70F axles	
Cone/Cup	387A-382S[2]
1989-1969	Dana/Spicer 44-3CF, 44-3CFHD, 44F-BJ axles	
Cone/Cup	25590-25523[2]

4WD FRONT AXLE (cont.)

Differential (cont.)

1968-1957	Dana/Spicer 44-3CF, 44-3CFHD, 44-3F axles	
Cone/Cup	25577-25523[2]

Pinion

1989-1975	Dana/Spicer 60F axle	
Cone/Cup (inner)	HM803146-HM803110
Seal (outer)	9316
Cone/Cup (outer)	HM88542-HM88510
1989-1973	Dana/Spicer 44F-BJ axle	
Cone/Cup (inner)	31594-31520
Seal Viton (outer)	5778V
Cone/Cup (outer)	02872-02820
1974-1958	Dana/Spicer 70F axle	
Cone/Cup (inner)	HM807040-HM807010
Seal (outer)	6808N
Cone/Cup (outer)	HM88542-HM88510
1972-1957	Dana/Spicer 44-3CF, 44-3CFHD, 44-3F axles	
Cone/Cup (inner)	31594-31520
Seal (outer)	5778
Cone/Cup (outer)	02872-02820

Spindle Kit

1989-1973	Dana/Spicer 44F-BJ axle	
Bearing & Seal Kit	SBK1 ³³
1979-1975	Dana/Spicer 60F axle	
Bearing & Seal Kit	SBK3 ³⁵

Spindle

1989-1973	Dana/Spicer 44F-BJ axle	
Seal (inner)	722108[2]
Needle Bearing (inner)	B2110[2]
Seal (outer)	722109[2]
1989-1986	Dana/Spicer 60F axle	
Seal (inner)	710044[2]
Needle Bearing (inner)	B2414[2]
Seal (outer)	710045[2]
1985-1980	Dana/Spicer 60F axle	
Seal	41461S[2]
Needle Bearing	B2414[2]
1979-1975	Dana/Spicer 60F axle	
Seal (inner)	710044[2]
Needle Bearing (inner)	B2414[2]
Seal (outer)	710045[2]
1974-1957	Dana/Spicer 44-3CF, 44-3CFHD, 44-3F axles	
Needle Bearing	B2110[2]

[] Indicates Quantity Required; Set Components Listed Inside Rear Cover;

¹⁹ Opt. Axle Repair Bearing. Replaces O.E. bearing & seal. ³³ Opt. Kit incl: Bearing B2110; Seals 722108 & 722109 ³⁵ Opt. Kit incl: Bearing B2414; Seals 710044 & 710045

Bearings and Seals

Mfg./Year Model & Location Part No Mfg./Year Model & Location Part No

DODGE TRUCK - 3/4 TON - 200, 250 Series, 2500 Series, Pickup, Power Wagon, Van (cont.)

4WD FRONT AXLE

Steering Knuckle

1989-1966	Spicer 44-3CFHD, 60F axles	
	Seal (upper)	710304[2]
	Cone/Cup (upper)	23100-23256[2]
	Seal (lower)	710385[2]
	Cone/Cup (lower)	23100-23256[2]
1974-1958	Spicer 70F axle	
	Cone/Cup	23100-23256[2]
1966-1957	Spicer 44-3F axle	
	Seal	204005S[2]
	Cone/Cup	11590-11520[2]

Intermediate Shaft

1989-1988	Spicer 44FBJ	
	Seal	710241[2]
	Needle Bearing	B5020[2]
	Needle Bearing (pilot)	SCE108[2]
1987-1983	Spicer 44FBJ	
	Seal	473814[2]
	Needle Bearing	B5020[2]
	Needle Bearing (pilot)	SCE108[2]

REAR AXLE

Differential Rebuild Kit

1989-1984	Dana/Spicer 70U, 71 axles	
	Kit	DRK332U
1989-1961	Dana/Spicer 60, 60HD axles	
	Kit	DRK331
1989-1986	8.25" ring gear	
	Kit	DRK303
1989-1986	8.375" ring gear	
	Kit	DRK303
1989-1980	9.25" ring gear	
	Kit	DRK304
1986-1984	Dana/Spicer 70 axles	
	Kit	DRK332
1986-1980	8.375" ring gear	
	Kit	DRK303
1974-1968	8.75" ring gear: 1.875" pinion shaft OD	
	Kit	DRK301
1968-1957	8.75" ring gear: 1.75" pinion shaft OD	
	Kit	DRK300

Differential

1989-1986	8.25" ring gear	
	Set	SET36[2]
1989-1969	9.25" ring gear	
	Cone/Cup	JLM704649-JLM704610[2]
1989-1961	Dana/Spicer 60, 60HD, 70, 70U, 71 axles	
	Cone/Cup	387A-382S[2]
1989-1976	8.375" ring gear	
	Set	SET36[2]
1975	8.375" ring gear: marked with "L"	
	Set	SET36[2]

REAR AXLE (cont.)

Differential (cont.)

1975	8.375" ring gear: not marked with "L"	
	Set	SET47[2]
1974-1972	8.375" ring gear	
	Set	SET47[2]
1974-1968	8.75" ring gear: 1.875" pinion shaft OD	
	Cone/Cup	LM104949-LM104912[2]
1972-1966	8.75" ring gear: 1.375" pinion shaft OD	
	Cone/Cup	LM104949-LM104912[2]
1968-1958	RA-36 axle	
	Cone/Cup	25590-25520[2]
1968-1957	8.75" ring gear: 1.75" pinion shaft OD	
	Cone/Cup	25590-25520[2]
1957-1946	RA-36 axle	
	Cone/Cup	25580-25520[2]

Pinion

1989-1986	8.25" ring gear	
	Cone/Cup (inner)	M802048-M802011
	Seal (outer)	8516N
	Cone/Cup (outer)	M86649-M86610
1989-1972	Dana/Spicer 60, 60HD axles	
	Cone/Cup (inner)	HM803146-HM803110
	Seal (outer)	9316
	Cone/Cup (outer)	HM88542-HM88510
1989-1984	Dana/Spicer 70U, 71 axles	
	Cone/Cup (inner)	HM803149-HM803110
	Seal (outer)	9316
	Cone/Cup (outer)	HM88542-HM88510
1989-1969	9.25" ring gear	
	Cone/Cup (inner)	M804049-M804010
	Seal (outer)	5126
	Cone/Cup (outer)	M88048-M88010
1989-1972	8.375" ring gear	
	Cone/Cup (inner)	M802048-M802011
	Seal (outer)	8516N
	Cone/Cup (outer)	M86649-M86610
1986-1984	Dana/Spicer 70 axle: 5380, 7270 companion yokes	
	Cone/Cup (inner)	HM807040-HM807010
	Seal (outer)	9316
	Cone/Cup (outer)	HM88542-HM88510
1974-1968	8.75" ring gear: 1.875" pinion shaft OD	
	Cone/Cup (inner)	M804049-M804010
	Seal (outer)	5126
	Cone/Cup (outer)	M88048-M88010
1972-1966	8.75" ring gear: 1.375" pinion shaft OD	
	Cone/Cup (inner)	HM89446-HM89410
	Seal (outer)	8515N
	Cone/Cup (outer)	M88048-M88010

DODGE TRUCK - 3/4 TON - 200, 250 Series, 2500 Series, Pickup, Power Wagon, Van (cont.)

REAR AXLE (cont.)

Pinion (cont.)

1971-1961	Dana/Spicer 60, 60HD axles
	Cone/Cup (inner) HM803146-HM803110
	Seal (outer) 6808N
	Cone/Cup (outer) HM88542-HM88510
1968-1957	8.75" ring gear: 1.75" pinion shaft
	OD
	Cone/Cup (inner) HM803149-HM803110
	Seal (outer) 7216
	Cone/Cup (outer) HM89443-HM89410
1968-1951	RA-36 axle
	Cone/Cup (inner) HM89446-HM89410
	Cone/Cup (outer) HM89443-HM89410
1960-1958	R65M axle
	Cone/Cup (inner) 59187-59412
	Seal (outer) 6127
1950-1946	RA-36 axle
	Cone/Cup (inner) 31593-31520
	Cone/Cup (outer) 31590-31520

TRANSFER CASE REBUILD KIT

1989-1988	New Process 205
	Kit TCRK205D
1989-1988	New Process 241
	Kit TCRK241A ⁴⁸
1987-1980	New Process 208
	Kit TCRK208SPK ⁴⁷
1987-1969	New Process 205
	Kit TCRK205G
1979-1974	New Process 203
	Kit TCRK203G

TRANSFER CASE

Input Shaft

1989-1988	New Process 241
	Seal 3173[2]
	Bearing N5210KLB
	Seal Dual Lip Opt. 710928[2]
	Kwik Slv (Opt Rpr) KWK99193[2]
	Needle Bearing (pilot) SCH1810
1988-1969	New Process 205
	Seal 473468[2]
	Bearing 1307L[2]
	Kwik Slv (Opt Rpr) KWK99212[2]
1987-1980	New Process 208
	Seal 3173[2]
	Needle Bearing B5020[2]
	Seal Dual Lip Opt. 710928[2]
	Kwik Slv (Opt Rpr) KWK99193[2]
	Needle Bearing (pilot) B2012
	Needle Bearing Thrust AXK5070
1979-1974	New Process 203
	Seal 3173[2]
	Bearing 1210L[2]
	Kwik Slv (Opt Rpr) KWK99193[2]
1968-1957	New Process 201
	Seal 410308[2]
	Bearing 307LI[2]
	Kwik Slv (Opt Rpr) KWK99212[2]

Front Output Shaft

1989-1988	New Process 241
	Seal 3946
	Bearing 207
	Kwik Slv (Opt Rpr) KWK99187
	Needle Bearing (pilot) J2416
1989-1986	New Process 205
	Seal 473313
	Bearing 307L
	Kwik Slv (Opt Rpr) KWK99174
	Needle Bearing (pilot) M28161
1987-1980	New Process 208
	Seal 3946
	Needle Bearing B2816
	Kwik Slv (Opt Rpr) KWK99187
	Needle Bearing (pilot) J2416
	Needle Bearing Thrust NTA2840[2]
1979-1974	New Process 203
	Seal 710005
	Bearing 307L[2]
	Kwik Slv (Opt Rpr) KWK99174
	Needle Bearing (pilot) M28161
1974-1969	New Process 205
	Seal 473468
	Bearing 307L[2]
	Kwik Slv (Opt Rpr) KWK99212
	Needle Bearing (pilot) M28161
1968-1957	New Process 201
	Seal 410308
	Bearing 307L[2]
	Kwik Slv (Opt Rpr) KWK99212

Rear Output Shaft

1989-1988	New Process 241
	Seal 3946
	Bearing 207
	Kwik Slv (Opt Rpr) KWK99187
	Needle Bearing (pilot) B5020[2]
1989-1986	New Process 205
	Seal 473468
	Bearing 307L
	Kwik Slv (Opt Rpr) KWK99212
	Needle Bearing (pilot) B3216
1987-1980	New Process 208
	Seal 3946
	Bearing 1207L
	Kwik Slv (Opt Rpr) KWK99187
	Needle Bearing (pilot) B3616
	Needle Bearing Thrust TC2435
1979-1974	New Process 203
	Seal 473204
	Bearing 307L
	Kwik Slv (Opt Rpr) KWK99212
	Needle Bearing (pilot) QAR29523[15]
1974-1969	New Process 205
	Seal 473468
	Bearing 307L
	Kwik Slv (Opt Rpr) KWK99212
	Needle Bearing (pilot) B3216

[] Indicates Quantity Required; Set Components Listed Inside Rear Cover;

⁴⁷ Includes Small Parts Kit ⁴⁸ BD50-8 I/S Brg., 307 Front O/S Brg.

Bearings and Seals

Mfg./Year Model & Location Part No Mfg./Year Model & Location Part No

DODGE TRUCK - 3/4 TON - 200, 250 Series, 2500 Series, Pickup, Power Wagon, Van (cont.)

TRANSFER CASE (cont.)

Rear Output Shaft (cont.)

1968-1957	New Process 201	
	Cone/Cup (inner)	3780-3720
	Seal (outer)	410308
	Cone/Cup (outer)	2793-2720
	Kwik Slv (Opt Rpr)	KWK99212
	Needle Bearing (pilot)	QBR23549[30]

Idler Shaft

1989-1986	New Process 205	
	Cone/Cup	2793-2720[2]
1979-1974	New Process 203	
	Needle Bearing	QAR29523[72]
1974-1957	New Process 201, 205	
	Cone/Cup	2793-2720[2]

Low Gear Roller

1987-1980	New Process 208	
	Needle Bearing	QBR23549
1974-1969	New Process 205	
	Needle Bearing	QBR23549
1968-1957	New Process 201	
	Needle Bearing	C1960Q

Oil Pump Housing

1989-1980	New Process 208, 241	
	Seal	341022
	Kwik Slv (Opt Rpr)	KWK99225

Drive Sprocket

1987-1980	New Process 208	
	Needle Bearing	C1086Q[82]

Selector Shaft Seal/Man. Shaft

1989-1986	New Process 205	
	Seal	2287[2]
	Kwik Slv (Opt Rpr)	KWK99076[2]
1974-1969	New Process 205	
	Seal	2287[2]
	Kwik Slv (Opt Rpr)	KWK99076[2]
1968-1957	New Process 201	
	Seal	6835S[2]
	Kwik Slv (Opt Rpr)	KWK99076[2]

TRANSMISSION REBUILD KIT

1989-1986	New Venture 435	
	Kit	TRK127G ⁵³
1985-1965	New Venture 435	
	Kit	TRK127B ⁵⁴

AUTOMATIC TRANSMISSION

Torque Converter

1960-1956		
	Seal	6879H
	Kwik Slv (Opt Rpr)	KWK99212

AUTOMATIC TRANSMISSION (cont.)

Torque Converter (cont.)

1954		
	Seal	331107N
	Kwik Slv (Opt Rpr)	KWK99199

Rear Seal/Ext. Housing

1960-1956	Power-flite: 2-speed	
	Bearing	206WB
1954	Automatic Drive	
	Seal	7300S
	Seal Kit	5203 ⁶⁴
1954-1948	Fluid Drive	
	Seal	8160S
	Bearing	206WB

Selector Shaft Seal/Man. Shaft

1960-1956	Power-flite: 2-speed	
	Seal	470018
	Kwik Slv (Opt Rpr)	KWK99062

3-SPEED AUTOMATIC TRANSMISSION

Torque Converter

1989-1965	A904, A998, A999, 31RH, 32RH	
	Seal	331228H
	Kwik Slv (Opt Rpr)	KWK99149
1989-1961	A727, 36RH	
	Seal	331227H
	Kwik Slv (Opt Rpr)	KWK99187
1961-1959	Torque-Flite	
	Seal	6879H
	Kwik Slv (Opt Rpr)	KWK99193
1960-1957	Flash-o-Matic	
	Seal	6988H
	Kwik Slv (Opt Rpr)	KWK99193

Rear Seal/Ext. Housing

1989-1987	A998, A999, 31RH, 32RH	
	Seal	2506
	Bearing	206LOE ³⁸
1989-1987	A727, 36RH	
	Seal	7300S
	Bearing	207XLO
	Seal Kit	5206 ⁶⁴
1986-1980	A727 (non-booted)	
	Seal	8160S
	Bearing	2061
1986-1980	A727 (booted)	
	Seal	7300S
	Bearing	207XLO
	Seal Kit	5206 ⁶⁴
1986-1973	A904 (2WD)	
	Seal	2506
	Bearing	206LOE ³⁸
1986-1973	A904 (4WD)	
	Seal	710058
	Bearing	206LOE ³⁸

194 [] Indicates Quantity Required; Set Components Listed Inside Rear Cover;

³⁸ Use Old Snap Ring ⁵³ Ball I/S Brg. ⁵⁴ Tapered I/S Brg. ⁶⁴ Opt. Seal and Bushing Kit

DODGE TRUCK - 3/4 TON - 200, 250 Series, 2500 Series, Pickup, Power Wagon, Van (cont.)

3-SPEED AUTOMATIC TRANSMISSION (cont.)

Rear Seal/Ext. Housing (cont.)

1979-1961	A727: 2-pc driveshaft	
Seal	8160S
Bearing	2061
1979-1961	A727: 1-pc driveshaft	
Seal	7300S
Bearing	207XLO
Seal Kit	5206 ⁶⁴
1972-1965	A904	
Seal	8935S
Bearing	206LOE ³⁸
Seal Kit	5207 ⁶⁴
1969-1951	Torque-Flite	
Seal	473234
1959-1957	Flash-o-Matic	
Seal	473234

Clutch Cam

1989-1962	A727	
Needle Bearing	W585Q[12]

Selector Shaft Seal/Man. Shaft

1989-1965		
Seal	8609
1959-1957		
Seal	7929S

4-SPEED AUTOMATIC TRANSMISSION

Torque Converter

1989-1980	A518	
Seal	331227H
Kwik Slv (Opt Rpr)	KWK99187

CLUTCH

Pilot Bearing

1989	359/5.9L (diesel)	
Needle Bearing (pilot)	SCE1211
1989-1980		
Bushing H/D	PB286HD
1973-1972	V8 engines	
Bearing	204S

Release Bearing

1989	Cummins Turbo Diesel: Getrag 5-speed	
Bearing Assy	614070
1989-1988	exc. Cummins Turbo Diesel	
Bearing Assy	614054
1987-1969		
Bearing Assy	614036
1968-1958	exc. Power Wagon	
Bearing Only	DC2065C
1968-1948	Power Wagon	
Bearing Only	D2065C
1958-1948		
Bearing Only	D2065C

3-SPEED MANUAL TRANSMISSION

Front Input Shaft

1981-1980	A230 New Process: 20-spline	
Seal	9376
Bearing	308LOE
1981-1980	A230 New Process: 18-spline	
Seal	9376
Bearing	307LOI
1980-1974	Tremac	
Seal	482208
Bearing	208LO
Kwik Slv (Opt Rpr)	KWK99112
1979-1974	A230 New Process	
Seal	9376
Bearing	1307L
1973-1970	A230 New Process	
Seal	9376
Bearing	307LI
1971-1963	A903 New Process	
Seal	9376
Bearing	1207L
1971-1950	A250 New Process	
Seal	9376
Bearing	N307LOE
1970-1961	A745 New Process: 10-spline shaft	
Seal	353135
Bearing	307LI
Kwik Slv (Opt Rpr)	KWK99125
1970-1961	A745 New Process: 23-spline shaft	
Seal	9376
Bearing	307LI
Seal Kit	5206 ⁶⁴
1966-1959	Warner T87	
Bearing	1209L
1960-1959	T85 Warner	
Seal	353135
Bearing	307L
Kwik Slv (Opt Rpr)	KWK99125
1960-1946	Chrysler H/D	
Bearing	1207SL
1958-1946	Chrysler L/D	
Bearing	1207L

Mainshaft Pilot

1981-1974	Tremec 150T	
Needle Bearing	QBR23549[15]
1981-1961	New Process A230, A745, A903	
Needle Bearing	QBR23549[15]
1975-1971	New Process A250	
Needle Bearing	QBR23549[14]
1966-1959	Warner T87	
Needle Bearing	W1590Q[16]
1960-1959	Warner T85	
Needle Bearing	QBR23549[14]
1956-1946	Chrysler H/D, L/D	
Needle Bearing	QBR23549[14]

[] Indicates Quantity Required; Set Components Listed Inside Rear Cover;
³⁸ Use Old Snap Ring ⁶⁴ Opt. Seal and Bushing Kit

Bearings and Seals

Mfg./Year Model & Location Part No Mfg./Year Model & Location Part No

DODGE TRUCK - 3/4 TON - 200, 250 Series, 2500 Series, Pickup, Power Wagon, Van (cont.)

3-SPEED MANUAL TRANSMISSION

Countershaft

1981-1974	Tremec 150T	
Needle Bearing	C1086Q[50]
1979-1961	New Process A230, A745	
Needle Bearing	Q8314[88]
1975-1971	New Process A250	
Needle Bearing	C407Q[88]
1971-1963	New Process A903	
Needle Bearing	C1086Q[44]
1966-1959	Warner T87	
Journal Bearing	J322080[2]
1960-1959	Warner T85	
Needle Bearing	S443Q[88]
1956-1946	Chrysler L/D	
Needle Bearing	C1086Q[44]

Rear Output Shaft

1981-1980	A230 New Process: 30-spline	
Seal	7300S
Bearing	308LOE
Seal Kit	5206 ⁶⁴
1981-1980	A230 New Process: 26-spline	
Seal	2506
Bearing	307LOI
1981-1970	A230 New Process: 23-spline	
Seal	8160S
Bearing	307L
1980-1974	Tremac	
Seal	7300S
Bearing	207L
Seal Kit	5206 ⁶⁴
1979-1970	A230 New Process: 30-spline	
Seal	7300S
Bearing	1307
Seal Kit	5206 ⁶⁴
1975-1971	A250 New Process: 30-spline shaft	
Seal	2506
Bearing	N207XE
1975-1971	A250 New Process: 26-spline shaft	
Seal	8935S
Bearing	N307LOE
Seal Kit	5207 ⁶⁴
1971-1963	A903 New Process	
Seal	8160S
Bearing	1207L
1970-1961	A745 New Process: 23-spline shaft	
Seal	8160S
Bearing	2061
1970-1961	A745 New Process: 30-spline shaft	
Seal	7300S
Bearing	1307
Seal Kit	5206 ⁶⁴
1966-1959	Warner T87	
Seal	450308
Bearing	307LI

3-SPEED MANUAL TRANSMISSION

(cont.)

Rear Output Shaft (cont.)

1960-1959	85 Warner	
Seal	8160S
Bearing	1307
1960-1946	Chrysler L/D	
Seal	8160S
Bearing	1207L

Reverse Idler

1981-1961	New Process A230, A250, A745, A903	
Needle Bearing	C1086Q[22]
1956-1946	Chrysler H/D, L/D	
Needle Bearing	C1086Q[22]

Selector Shaft Seal/Man. Shaft

1981-1961	New Process	
Seal	7188S[2]
Kwik Slv (Opt Rpr)	KWK99062[2]
1966-1959	Warner	
Seal	340797
Kwik Slv (Opt Rpr)	KWK99059

4-SPEED MANUAL TRANSMISSION

Transmission Rebuild Kit

1989-1974	New Process 435	
Kit	TRK127

Input Shaft

1989-1988	New Process 435	
Seal	9376
Bearing	308L
1989-1974	A833 New Process	
Seal	9376
Bearing	308LOE
1987-1969	New Process 435, 445	
Seal	482163N
Cone/Cup	HM88649-HM88610
Kwik Slv (Opt Rpr)	KWK99138
1968-1967	New Process 435	
Seal	482163N
Bearing	1308L
Kwik Slv (Opt Rpr)	KWK99138
1966-1963	New Process 435	
Bearing	1308L
1966-1963	New Process 420	
Bearing	1209SL
1963	New Process (1.250")	
Seal	471413
Cone/Cup	HM88649-HM88610
Kwik Slv (Opt Rpr)	KWK99125
1963	New Process 435 (1.500" spline)	
Seal	470059
Cone/Cup	HM88649-HM88610
Kwik Slv (Opt Rpr)	KWK99149

196 [] Indicates Quantity Required; Set Components Listed Inside Rear Cover;

⁶⁴ Opt. Seal and Bushing Kit

DODGE TRUCK - 3/4 TON - 200, 250 Series, 2500 Series, Pickup, Power Wagon, Van (cont.)

4-SPEED MANUAL TRANSMISSION

(cont.)

Input Shaft (cont.)

1963	New Process 435 (1.375" spline)	
Seal	482163N
Cone/Cup	HM88649-HM88610
Kwik Slv (Opt Rpr)	KWK99138

Mainshaft Pilot

1989-1946	New Process 420, 435, 436, 445	
Needle Bearing	Q15902[14]

Countershaft

1989-1980	New Process 435	
Needle Bearing (front)	BCE2416
Needle Bearing (rear)	B3216
Needle Bearing Thrust	NTA2031
1981-1980	New Process 445	
Needle Bearing (front)	BCE2416
Needle Bearing (rear)	B3216
1979-1970	New Process 445	
Needle Bearing (front)	BCE2416
Needle Bearing (rear)	B3216
1979-1963	New Process 435, 436	
Needle Bearing (front)	BCE2416
Needle Bearing (rear)	B3216
Needle Bearing Thrust	NTA2031
1968-1946	New Process 420	
Bearing (front)	1207SL
Needle Bearing (rear)	M28161

Reverse Idler

1989-1963	New Process 435, 436	
Needle Bearing	C407Q
1981-1980	New Process 445	
Needle Bearing	Q8324[21]

Rear Output Shaft

1989-1988	New Process 435	
Seal	8160S
Bearing	308L
1989-1974	A833 New Process	
Seal	7300S
Bearing	308LOE
Seal Kit	5206 ⁶⁴
1987-1969	New Process 435	
Seal	8160S
Bearing	1308L
1981-1970	New Process 445	
Seal	8160S
Cone/Cup	M201047S-M201011
Needle Bearing Thrust	FA35688
1968-1963	New Process 435, 436	
Seal	470189
Bearing	1308L
1968-1946	New Process 420	
Seal	450308
Bearing	1307

5-SPEED MANUAL TRANSMISSION

Front Input Shaft

1989-1988	New Process A535, 2500	
Seal	9376
Bearing	307LI
Kwik Slv (Opt Rpr)	KWK99106

Countershaft

1989-1988	New Process A535, 2500	
Cone/Cup (front)	LM67048-LM67010BCE
Set (rear)	SET2

Mainshaft Pilot

1989-1988	New Process A535, 2500	
Needle Bearing	QBR23549[16]

Mainshaft 1st Speed Gear

1989-1988	New Process A535, 2500	
Needle Bearing	FW455017[2]

Rear Output Shaft

1989-1988	New Process A536, 2500 (4WD)	
Seal	710058
Bearing	208
1989-1988	New Process A536, 2500 (2WD)	
Seal	2506
Bearing	208

Extension Housing

1989-1988	New Process 2500	
Bearing	1207L
1989-1988	New Process A535	
Bearing	207L

DRIVESHAFT SUPPORT

1989-1980	Spicer 1280, 1310: 1.3780" bearing ID	
Bearing	88107
Hanger Bearing Assy	HB88107A
1985-1956	Spicer 1260-1410: 1.3780" bearing ID	
Bearing	88107
Hanger Bearing Assy	HB88107A
1979-1956	Detroit: 1.3780" bearing ID	
Hanger Bearing Assy	HB88107
1979-1956	Spicer: 1.3780" bearing ID	
Hanger Bearing Assy	HB88107
1979-1956	Spicer: 1.5748" bearing ID	
Hanger Bearing Assy	HB88508
1979-1956	Spicer: 1.7717" bearing ID	
Hanger Bearing Assy	HB88509
1979-1956	Spicer: 1.9685" bearing ID	
Hanger Bearing Assy	HB88510
1979-1956	Spicer: 2.3622" bearing ID	
Hanger Bearing Assy	HB88512AHD

[] Indicates Quantity Required; Set Components Listed Inside Rear Cover;
⁶⁴ Opt. Seal and Bushing Kit

Bearings and Seals

Mfg./Year Model & Location Part No Mfg./Year Model & Location Part No

DODGE TRUCK - 3/4 TON - 200, 250 Series, 2500 Series, Pickup, Power Wagon, Van (cont.)

POWER STEERING

Pump Shaft

1979-1957 Manual Steering Worm Shaft:
Saginaw Design
Seal 323138
Bearing 8537

CRANKSHAFT REAR SEAL

6 Cylinder

1989 359/5.9L (diesel)
Seal 39805
Kwik Slv (Opt Rpr)KWK99494
1989-1988 239/3.9L
Seal 5414
1987-1961 225/3.7L
Seal 5650

8 Cylinder

1989-1960 318/5.2L
Seal 5414

TIMING COVER

6 Cylinder

1989 359/5.9L (diesel)
Seal 39803
Kwik Slv (Opt Rpr)KWK99248
1989-1988 239/3.9L
Seal 3103
Kwik Slv (Opt Rpr)KWK99218
Harmonic Balancer
Sleeves 88218
1987-1961 170/2.8, 198/3.2, 225/3.7
Seal 3095
Kwik Slv (Opt Rpr)KWK99226

8 Cylinder

1989-1980 318/5.2L, 360/5.9L
Seal 3103
Kwik Slv (Opt Rpr)KWK99218
Harmonic Balancer
Sleeves 88218

DODGE TRUCK - 1 TON - 300, 350 Series, 3500 Series, WD20, WD21, M375, Motor Home, Pickup, Van

FRONT WHEEL

2WD

1989-1980 8-lug wheels: 4000 lb. axle
Seal (inner) 493291[2]
Set (inner)SET45
Cone/Cup (outer) 15101-15245[2]
1989-1982 5-lug wheels: 3300 lb. axle
Seal (inner) 3087[2]
Set (inner)SET11
Set (outer)SET16
1989-1980 8-lug wheels: 3800 lb. axle
Seal (inner) 493291[2]
Set (inner)SET45
Cone/Cup (outer) 15101-15245[2]
1989-1980 8-lug wheels: 3300 lb. axle
Seal (inner) 3087[2]
Set (inner)SET11
Set (outer)SET16
1989-1984 8-lug wheels: 3600 lb. axle
Seal (inner) 493291[2]
Set (inner)SET45
Cone/Cup (outer) 15101-15245[2]
1983-1978 8-lug wheels: 3600 lb. axle
Seal (inner) 3087[2]
Set (inner)SET11
Set (outer)SET16
1981-1973 5-lug wheels: 3300 lb. axle
Seal (inner) 5121[2]
Set (inner)SET17
Set (outer)SET16

FRONT WHEEL (cont.)

2WD (cont.)

1980-1973 5-lug wheels: 3000 lb. axle
Seal (inner) 5121[2]
Set (inner)SET17
Set (outer)SET16
1979-1972 8-lug wheels: 4000 lb. axle
Seal (inner) 4092[2]
Set (inner)SET11
Cone/Cup (outer) 15101-15245[2]
1978-1969 5-lug wheels: 3800 lb. axle
Seal (inner) 493291[2]
Set (inner)SET37
Cone/Cup (outer) 15101-15245[2]
1972-1971 B300 with disc brakes
Seal (inner) 8473S[2]
Set (inner)SET5
Set (outer)SET3
1972-1969 B300 with drum brakes
Seal (inner) 6960[2]
Set (inner)SET5
Set (outer)SET3
1968-1961 exc. Heavy Duty
Seal (inner) 493291[2]
Set (inner)SET45
Cone/Cup (outer) 15101-15245[2]
1968-1961 Heavy Duty exc. B300 with drum
brakes
Seal (inner) 493291[2]
Set (inner)SET37
Cone/Cup (outer) 15101-15245[2]

DODGE TRUCK - 1 TON - 300, 350 Series, 3500 Series, WD20, WD21, M375, Motor Home, Pickup, Van (cont.)

FRONT WHEEL (cont.)

2WD (cont.)

1960-1959	Heavy Duty axle: Canada only
Seal (inner)	493291[2]
Cone/Cup (inner)	14138A-14276[2]
Cone/Cup (outer)	12580-12520[2]
1960-1958	exc. Heavy Duty
Seal (inner)	6781[2]
Set (inner)	SET5
Set (outer)	SET3
1960-1958	Heavy Duty axle
Seal (inner)	493291[2]
Set (inner)	SET37
Cone/Cup (outer)	15101-15245[2]
1957	Heavy Duty axle
Seal (inner)	493291[2]
Cone/Cup (inner)	26884-26823[2]
Cone/Cup (outer)	12580-12520[2]
1957-1948	exc. Heavy Duty
Seal (inner)	493291[2]
Cone/Cup (inner)	14138A-14276[2]
Cone/Cup (outer)	12580-12520[2]

4WD

1989-1974	Spicer 60F axle
Seal (inner)	415009[2]
Cone/Cup (inner)	387A-382A[2]
Set (outer)	SET38
1989-1984	4000 lb. axle: 8-lug wheels
Seal (inner)	493291[2]
Set (inner)	SET45
Cone/Cup (outer)	15101-15245[2]
1973-1969	
Seal (inner)	51348[2]
Cone/Cup (inner)	387A-382A[2]
Set (outer)	SET38
1968-1959	
Seal (inner)	51348[2]
Cone/Cup (inner)	469-453X[2]
Cone/Cup (outer)	28580-28521[2]
1958	
Seal (inner)	417485[2]
Cone/Cup (inner)	28682-28622[2]
Cone/Cup (outer)	28580-28521[2]
1957	
Seal (inner)	417485[2]
Cone/Cup (inner)	28682-28622[2]
Cone/Cup (outer)	2984-2924[2]

REAR WHEEL

1989-1977	Spicer 60 axle, (12x2.5" brakes)
Seal (inner)	4250[2]
Set (inner)	SET38
Set (outer)	SET38
1989-1984	B350, D350, W350; Spicer 70; 12x3" brakes; exc. 9000GVW
Seal (inner)	4250[2]
Set (inner)	SET38
Set (outer)	SET38

REAR WHEEL (cont.)

1989-1974	Spicer 70 axle; 12x3" brakes; 9000 GVW
Seal (inner)	417158[2]
Cone/Cup (inner)	28682-28622[2]
Set (outer)	SET38
1989-1988	D350, W350; Spicer 71; 12x3" brakes
Seal (inner)	455086[2]
Cone/Cup (inner)	45291-45220[2]
Set (outer)	SET38
1989-1984	9.25" ring gear: Heavy Duty
Seal	710067[2]
Cyl. Bearing	R1561TV[2]
Kit	TF01561R[2] ¹⁹
1989-1980	CB300; W300; B series, D series; Spicer 60HD, 70; 12x3" brakes; exc 9000GVW
Seal (inner)	455086[2]
Cone/Cup (inner)	45291-45220[2]
Set (outer)	SET38
1989-1974	300/350: 9.25" ring gear exc. Heavy Duty
Seal	8835S[2]
Cyl. Bearing	6408[2]
Kit	TRP1559TV[2] ¹⁹
1979-1972	Spicer 60HD, 70 axles; 12x3" brakes; exc. 9000GVW
Seal (inner)	475458[2]
Cone/Cup (inner)	370A-362A[2]
Cone/Cup (outer)	359S-354A[2]
1976-1974	Spicer 60 axle, (12x2.5" brakes)
Seal (inner)	475458[2]
Cone/Cup (inner)	370A-362A[2]
Cone/Cup (outer)	359S-354A[2]
1973-1969	Spicer 60 axle, (12x2.5" brakes)
Seal (inner)	475458[2]
Cone/Cup (inner)	370A-362A[2]
Cone/Cup (outer)	359S-354A[2]
1968-1964	D, P, W, 300 Series; Spicer 60; 12x2.5" brakes
Seal (inner)	410825[2]
Cone/Cup (inner)	368A-362A[2]
Cone/Cup (outer)	359S-354A[2]
1968-1958	WM300
Seal (inner)	417485[2]
Cone/Cup (inner)	28682-28622[2]
Seal (outer)	6077[2]
Cone/Cup (outer)	2984-2924[2]
1968-1957	D, P, W, 300 Series
Seal (inner)	417485[2]
Cone/Cup (inner)	28682-28622[2]
Seal (outer)	417485[2]
Cone/Cup (outer)	28580-28521[2]
1956-1946	
Seal (inner)	417485[2]
Cone/Cup (inner)	28682-28622[2]
Seal (outer)	6077[2]
Cone/Cup (outer)	2984-2924[2]

[] Indicates Quantity Required; Set Components Listed Inside Rear Cover;
¹⁹ Opt. Axle Repair Bearing. Replaces O.E. bearing & seal.

Bearings and Seals

Mfg./Year Model & Location Part No Mfg./Year Model & Location Part No

DODGE TRUCK - 1 TON - 300, 350 Series, 3500 Series, WD20, WD21, M375, Motor Home, Pickup, Van (cont.)

4WD FRONT AXLE

Axle Shaft

1989-1980	Dana/Spicer 60F axle	
Seal	470682[2]
1979-1975	Dana/Spicer 60F axle	
Seal	41461S[2]

Differential Rebuild Kit

1989-1975	Dana/Spicer 60 axle	
Kit	DRK331
1989-1969	Dana 44 axle	
Kit	DRK339B

Differential

1989-1958	Dana/Spicer 60F, 70F axles	
Cone/Cup	387A-382S[2]

Pinion

1989-1975	Dana/Spicer 60F axle	
Cone/Cup (inner)	HM803146-HM803110
Seal (outer)	9316
Cone/Cup (outer)	HM88542-HM88510
1974-1958	Dana/Spicer 70F axle	
Cone/Cup (inner)	HM807040-HM807010
Seal (outer)	6808N
Cone/Cup (outer)	HM88542-HM88510
1968-1958	R65M axle	
Cone/Cup (inner)	59187-59412
Seal (outer)	6127

Spindle Kit

1989-1975	Dana/Spicer 60F axle	
Bearing & Seal Kit	SBK3 ³⁵

Spindle

1989-1986	Dana/Spicer 60F axle	
Seal (inner)	710044[2]
Needle Bearing (inner)	B2414[2]
Seal (outer)	710045[2]
1985-1980	Dana/Spicer 60F axle	
Seal	41461S[2]
Needle Bearing	B2414[2]
1979-1975	Dana/Spicer 60F axle	
Seal (inner)	710044[2]
Needle Bearing (inner)	B2414[2]
Seal (outer)	710045[2]

Steering Knuckle

1979-1975	Dana/Spicer 60F axle	
Seal (upper)	710304[2]
Cone/Cup (upper)	23100-23256[2]
Seal (lower)	710304[2]
Cone/Cup (lower)	23100-23256[2]
1974-1958	Dana/Spicer 70F axle	
Cone/Cup (upper)	23100-23256[2]
Cone/Cup (lower)	23100-23256[2]

4WD FRONT AXLE (cont.)

Steering Knuckle (cont.)

1968-1958	R65M axle	
Cone/Cup (upper)	23100-23256[2]
Cone/Cup (lower)	23100-23256[2]

REAR AXLE

Differential Rebuild Kit

1989-1975	Dana/Spicer 60 axles	
Kit	DRK331
1989-1974	9.25" ring gear	
Kit	DRK304
1989-1984	Dana/Spicer 70U, 71 axles	
Kit	DRK332U
1986-1957	Dana/Spicer 70 axle	
Kit	DRK332

Differential

1989-1969	9.25" ring gear	
Cone/Cup	JLM704649-JLM704610[2]
1989-1957	Dana/Spicer 60, 60HD, 70, 70U, 71 axles	
Cone/Cup	387A-382S[2]
1968-1958	RA-36 axle	
Cone/Cup	25590-25520[2]
1957-1946	RA-36 axle	
Cone/Cup	25580-25520[2]
1956-1946	R65M axle	
Cone/Cup	28580-28521[2]

Pinion

1989-1972	Dana/Spicer 60, 60HD axles	
Cone/Cup (inner)	HM803146-HM803110
Seal Viton (outer)	719316
Cone/Cup (outer)	HM88542-HM88510
Kwik Slv (Opt Rpr)	KWK99187
1989-1978	9.25" ring gear	
Cone/Cup (inner)	M804049-M804010
Seal (outer)	5126
Cone/Cup (outer)	M88048-M88010
Kwik Slv (Opt Rpr)	KWK99187
1989-1984	Dana/Spicer 70U, 71 axles	
Cone/Cup (inner)	HM803149-HM803110
Seal (outer)	9316
Cone/Cup (outer)	HM88542-HM88510
1986-1972	Dana/Spicer 70 axle: 5380, 7270 companion yokes	
Cone/Cup (inner)	HM807040-HM807010
Seal (outer)	9316
Cone/Cup (outer)	HM88542-HM88510
1983-1957	Dana/Spicer 70 axle: 7290 companion yoke	
Cone/Cup (inner)	HM807040-HM807010
Seal (outer)	6808N
Cone/Cup (outer)	HM88542-HM88510

DODGE TRUCK - 1 TON - 300, 350 Series, 3500 Series, WD20, WD21, M375, Motor Home, Pickup, Van (cont.)

REAR AXLE (cont.)

Pinion (cont.)

1971-1957	Dana/Spicer 60, 60HD axles
	Cone/Cup (inner) HM803146-HM803110
	Seal (outer) 6808N
	Cone/Cup (outer) HM88542-HM88510
1968-1951	RA-36 axle
	Cone/Cup (inner) HM89446-HM89410
	Cone/Cup (outer) HM89443-HM89410
1968-1946	R65M axle
	Cone/Cup (inner) 59187-59412
	Seal (outer) 6127
1950-1946	RA-36 axle
	Cone/Cup (inner) 31593-31520
	Cone/Cup (outer) 31590-31520

TRANSFER CASE REBUILD KIT

1989-1988	New Process 205
	Kit TCRK205D
1989-1988	New Process 241
	Kit TCRK241A ⁴⁸
1987-1969	New Process 205
	Kit TCRK205G
1986-1981	New Process 208
	Kit TCRK208SPK ⁴⁷
1979-1973	New Process 203
	Kit TCRK203G

TRANSFER CASE

Input Shaft

1989	New Process 205: (man trans)
	Seal 3173[2]
	Bearing 1210L[2]
	Seal Dual Lip 710928
	Kwik Slv (Opt Rpr) KWK99193
	Needle Bearing (pilot) QAR29523[15]
1989	New Process 205: (auto trans)
	Seal 473468[2]
	Bearing 1307L[2]
	Kwik Slv (Opt Rpr) KWK99212
	Needle Bearing (pilot) QAR29523[15]
1988-1969	New Process 205
	Seal 473468[2]
	Bearing 1307L[2]
	Kwik Slv (Opt Rpr) KWK99212
	Needle Bearing (pilot) QAR29523[15]
1980	New Process 208
	Seal 3173[2]
	Needle Bearing B5020[2]
	Seal Dual Lip 710928
	Kwik Slv (Opt Rpr) KWK99193
	Needle Bearing (pilot) B2012
	Needle Bearing Thrust AXK5070

TRANSFER CASE

Front Output Shaft

1989-1969	New Process 205
	Seal 473313
	Bearing 307L[2]
	Kwik Slv (Opt Rpr) KWK99174
	Needle Bearing (pilot) M28161
1980	New Process 208
	Seal 3946
	Needle Bearing B2816
	Kwik Slv (Opt Rpr) KWK99187
	Needle Bearing (pilot) J2416
	Needle Bearing Thrust NTA2840[2]

Rear Output Shaft

1989-1981	New Process 205
	Seal 473468
	Bearing 307L
	Kwik Slv (Opt Rpr) KWK99212
	Needle Bearing (pilot) B3216
1980	New Process 208
	Seal 3946
	Bearing 1207L
	Kwik Slv (Opt Rpr) KWK99187
	Needle Bearing (pilot) B3616
	Needle Bearing Thrust TC2435
1979-1974	New Process 203
	Seal 473204
	Bearing 307L
	Kwik Slv (Opt Rpr) KWK99212
	Needle Bearing (pilot) QAR29523
1974-1969	New Process 205
	Seal (inner) 473468
	Bearing (inner) 307L
	Kwik Slv (Opt Rpr) KWK99212
	Needle Bearing (pilot) B3216

Idler Shaft

1989-1969	New Process 205
	Cone/Cup 2793-2720[2]
1979-1974	New Process 203
	Needle Bearing QAR29523[72]

Low Gear Roller

1989-1969	New Process 205
	Needle Bearing QBR23549

Oil Pump Housing

1980	New Process 208
	Seal 341022
	Kwik Slv (Opt Rpr) KWK99225

Drive Sprocket

1980	New Process 208
	Needle Bearing C1086Q[82]

[] Indicates Quantity Required; Set Components Listed Inside Rear Cover;

⁴⁷ Includes Small Parts Kit ⁴⁸ BD50-8 I/S Brg., 307 Front O/S Brg.

Bearings and Seals

Mfg./Year Model & Location Part No Mfg./Year Model & Location Part No

DODGE TRUCK - 1 TON - 300, 350 Series, 3500 Series, WD20, WD21, M375, Motor Home, Pickup, Van (cont.)

TRANSFER CASE

Selector Shaft Seal/Man. Shaft

1989-1969	New Process 205	
Seal	2287[2]
Kwik Slv (Opt Rpr)	KWK99076
1968-1953	New Process 201	
Seal	6835S[2]
Kwik Slv (Opt Rpr)	KWK99076[2]

TRANSMISSION REBUILD KIT

1989	Getrag G360	
Kit	TRK261

AUTOMATIC TRANSMISSION

Torque Converter

1960-1956		
Seal	6879H
Kwik Slv (Opt Rpr)	KWK99212
1954		
Seal	331107N
Kwik Slv (Opt Rpr)	KWK99199

Rear Seal/Ext. Housing

1960-1956	Power-flite: 2-speed	
Bearing	206WB
1954	Automatic Drive	
Seal	7300S
Seal Kit	5203 ⁶⁴
1954-1948	Fluid Drive	
Seal	8160S
Bearing	206WB

Input Shaft

1954-1948		
Bearing	1307SLI

Output Shaft

1954-1948		
Bearing	307TB

3-SPEED AUTOMATIC TRANSMISSION

Torque Converter

1989-1961	A727, 36RH	
Seal	331227H
Kwik Slv (Opt Rpr)	KWK99187
1989-1965	A904, A998, A999, 31RH, 32RH	
Seal	331228H
Kwik Slv (Opt Rpr)	KWK99149
1960-1957		
Seal	6988H
Kwik Slv (Opt Rpr)	KWK99193

3-SPEED AUTOMATIC TRANSMISSION

Rear Seal/Ext. Housing

1989-1987	A727, 36RH	
Seal	7300S
Bearing	207XLO
Seal Kit	5206 ⁶⁴
1989-1987	A998, A999, 31RH, 32RH	
Seal	2506
Bearing	206LOE ³⁸
1986-1980	A727 (non-booted)	
Seal	8160S
Bearing	2061
1986-1980	A727 (booted)	
Seal	7300S
Bearing	207XLO
Seal Kit	5206 ⁶⁴
1986-1973	A904 (2WD)	
Seal	2506
Bearing	206LOE ³⁸
1986-1973	A904 (4WD)	
Seal	710058
Bearing	206LOE ³⁸
1979-1961	A727: 2-pc driveshaft	
Seal	8160S
Bearing	2061
1979-1961	A727: 1-pc driveshaft	
Seal	7300S
Bearing	207XLO
Seal Kit	5206 ⁶⁴
1972-1965	A904	
Seal	8935S
Bearing	206LOE ³⁸
1959-1957		
Seal	473234

Clutch Cam

1989-1961	A727	
Needle Bearing	W585Q[12]

Selector Shaft Seal/Man. Shaft

1989-1965		
Seal	8609
1959-1957		
Seal	7929S

CLUTCH

Pilot Bearing

1989	Cummins Turbo Diesel	
Needle Bearing	SCE1211
1989-1980		
Bushing H/D	PB286HD

Release Bearing

1989	Cummins Turbo Diesel: Getrag	
	5-speed	
Bearing Assy	614070
1989-1988	exc. Cummins Turbo Diesel	
Bearing Assy	614054

202 [] Indicates Quantity Required; Set Components Listed Inside Rear Cover;

³⁸ Use Old Snap Ring ⁶⁴ Opt. Seal and Bushing Kit

DODGE TRUCK - 1 TON - 300, 350 Series, 3500 Series, WD20, WD21, M375, Motor Home, Pickup, Van (cont.)

CLUTCH (cont.)

Release Bearing (cont.)

1987-1969	300 / 350 Series	
	Bearing Assy	614036
1968-1959	300 Series	
	Bearing Only	DC2065C
1958-1946	300 Series	
	Bearing Only	2065
1956-1948	D Series	
	Bearing Only	D2065C

3-SPEED MANUAL TRANSMISSION

Front Input Shaft

1981-1980	A230 New Process: 20-spline	
	Seal	9376
	Bearing	308LOE
1981-1980	A230 New Process: 18-spline	
	Seal	9376
	Bearing	307LOI
1980-1974	Tremac	
	Seal	482208
	Bearing	208LO
	Kwik Slv (Opt Rpr)	KWK99112
1979-1974	A230 New Process	
	Seal	9376
	Bearing	1307L
1973-1970	A230 New Process	
	Seal	9376
	Bearing	307LI
1971-1963	A903 New Process	
	Seal	9376
	Bearing	1207L
1971-1950	A250 New Process	
	Seal	9376
	Bearing	N307LOE
1970-1961	A745 New Process: 10-spline shaft	
	Seal	353135
	Bearing	307LI
	Kwik Slv (Opt Rpr)	KWK99125
1970-1961	A745 New Process: 23-spline shaft	
	Seal	9376
	Bearing	307LI
	Seal Kit	5206 ⁶⁴
1966-1959	Warner T87	
	Bearing	1209L
1960-1959	T85 Warner	
	Seal	353135
	Bearing	307L
	Kwik Slv (Opt Rpr)	KWK99125
1960-1946	Chrysler H/D	
	Bearing	1207SL
1958-1946	Chrysler L/D	
	Bearing	1207L

3-SPEED MANUAL TRANSMISSION

Mainshaft Pilot

1981-1980	New Process A230, Tremec 150	
	Needle Bearing	QBR23549[15]

Countershaft

1980	Tremec 150	
	Needle Bearing	C1086Q[50]

Rear Output Shaft

1981-1980	A230 New Process: 30-spline	
	Seal	7300S
	Bearing	308LOE
	Seal Kit	5206 ⁶⁴
1981-1980	A230 New Process: 26-spline	
	Seal	2506
	Bearing	307LOI
1981-1970	A230 New Process: 23-spline	
	Seal	8160S
	Bearing	307L
1980-1974	Tremac	
	Seal	7300S
	Bearing	207L
	Seal Kit	5206 ⁶⁴
1979-1970	A230 New Process: 30-spline	
	Seal	7300S
	Bearing	1307
	Seal Kit	5206 ⁶⁴
1975-1971	A250 New Process: 30-spline shaft	
	Seal	2506
	Bearing	N207XE
1975-1971	A250 New Process: 26-spline shaft	
	Seal	8935S
	Bearing	N307LOE
	Seal Kit	5207 ⁶⁴
1971-1963	A903 New Process	
	Seal	8160S
	Bearing	1207L
1970-1961	A745 New Process: 23-spline shaft	
	Seal	8160S
	Bearing	2061
1970-1961	A745 New Process: 30-spline shaft	
	Seal	7300S
	Bearing	1307
	Seal Kit	5206 ⁶⁴
1966-1959	Warner T87	
	Seal	450308
	Bearing	307LI
1960-1959	85 Warner	
	Seal	8160S
	Bearing	1307
1960-1946	Chrysler L/D	
	Seal	8160S
	Bearing	1207L

[] Indicates Quantity Required; Set Components Listed Inside Rear Cover;
⁶⁴ Opt. Seal and Bushing Kit

Bearings and Seals

Mfg./Year Model & Location Part No Mfg./Year Model & Location Part No

DODGE TRUCK - 1 TON - 300, 350 Series, 3500 Series, WD20, WD21, M375, Motor Home, Pickup, Van (cont.)

3-SPEED MANUAL TRANSMISSION

Reverse Idler

1981-1980 New Process A230
 Needle Bearing C1086Q[22]

Selector Shaft Seal/Man. Shaft

1979-1961 New Process
 Seal 7188S[2]
 Kwik Slv (Opt Rpr) KWK99062[2]
1966-1959 Warner
 Seal 340797
 Kwik Slv (Opt Rpr) KWK99059

4-SPEED MANUAL TRANSMISSION

Transmission Rebuild Kit

1989-1986 New Process 435
 Kit TRK127G⁵³
1989-1965 New Process 435
 Kit TRK127B⁵⁴
1965-1962 New Process 435
 Kit TRK127G⁵³

Input Shaft

1989-1988 New Process 435
 Seal 9376
 Bearing 308L
1989-1974 A833 New Process
 Seal 9376
 Bearing 308LOE
1987-1969 New Process 435, 445
 Seal 482163N
 Cone/Cup HM88649-HM88610
 Kwik Slv (Opt Rpr) KWK99138
1968-1967 New Process 435
 Seal 482163N
 Bearing 1308L
 Kwik Slv (Opt Rpr) KWK99138
1966-1963 New Process 435
 Bearing 1308L
1966-1963 New Process 420
 Bearing 1209SL
1963 New Process (1.250")
 Seal 471413
 Cone/Cup HM88649-HM88610
 Kwik Slv (Opt Rpr) KWK99125
1963 New Process 435 (1.500" spline)
 Seal 470059
 Cone/Cup HM88649-HM88610
 Kwik Slv (Opt Rpr) KWK99149
1963 New Process 435 (1.375" spline)
 Seal 482163N
 Cone/Cup HM88649-HM88610
 Kwik Slv (Opt Rpr) KWK99138

Mainshaft Pilot

1989-1946 New Process 420, 435, 445
 Needle Bearing Q15902[14]

4-SPEED MANUAL TRANSMISSION

Countershaft

1989-1963 New Process 435
 Needle Bearing (front) BCE2416
 Needle Bearing (rear) B3216
 Needle Bearing Thrust NTA2031
1981-1970 New Process 445
 Needle Bearing (front) BCE2416
 Needle Bearing (rear) B3216
1968-1946 New Process 420
 Bearing (front) 1207SL
 Needle Bearing (rear) M28161

Reverse Idler

1989-1963 New Process 435
 Needle Bearing C407Q
1981-1980 New Process 445
 Needle Bearing Q8324[21]

Rear Output Shaft

1989-1988 New Process 435
 Seal 8160S
 Bearing 308L
1987-1969 New Process 435
 Seal 8160S
 Bearing 1308L
1981-1970 New Process 445
 Seal 8160S
 Cone/Cup M201047S-M201011
 Needle Bearing Thrust FA35688
1968-1963 New Process 435, 436
 Seal 470898
 Bearing 1308L
1968-1946 New Process 420
 Seal 450308
 Bearing 1307

5-SPEED MANUAL TRANSMISSION

Front Input Shaft

1989-1988 New Process A536, 2500
 Seal 9376
 Bearing 307LI
 Kwik Slv (Opt Rpr) KWK99106

Rear Output Shaft

1989-1988 New Process A536, 2500 (4WD)
 Seal 710058
 Bearing 208
1989-1988 New Process A536, 2500 (2WD)
 Seal 2506
 Bearing 208

DRIVESHAFT SUPPORT

1989-1956 Spicer: 1.3780" bearing ID
 Bearing 88107
 Hanger Bearing Assy HB88107A
 Hanger Bearing Assy
 assembly with slingers HB88107B

DODGE TRUCK - 1 TON - 300, 350 Series, 3500 Series, WD20, WD21, M375, Motor Home, Pickup, Van (cont.)

DRIVESHAFT SUPPORT (cont.)

1985-1956	Spicer 1260-1410: 1.3780" bearing ID	
	Bearing	88107
	Hanger Bearing Assy	HB88107A
1979-1956	Detroit: 1.3780" bearing ID	
	Hanger Bearing Assy	HB88107
1979-1956	Spicer: 1.5748" bearing ID	
	Hanger Bearing Assy	HB88508
1979-1956	Spicer: 1.7717" bearing ID	
	Hanger Bearing Assy	HB88509
1979-1956	Spicer: 1.9685" bearing ID	
	Hanger Bearing Assy	HB88510
1979-1956	Spicer: 2.3622" bearing ID	
	Hanger Bearing Assy	HB88512AHD

POWER STEERING

Pump Shaft

1979-1957	Manual Steering Worm Shaft: Saginaw Design	
	Seal	323138
	Bearing	8537

CRANKSHAFT REAR SEAL

6 Cylinder

1989	359/5.9L (diesel)	
	Seal	39805
	Kwik Slv (Opt Rpr)	KWK99494
1989-1988	239/3.9L	
	Seal	5414
1980-1961	225/3.7L	
	Seal	5650

CRANKSHAFT REAR SEAL

8 Cylinder

1989	359/5.9L	
	Seal	39805
	Kwik Slv (Opt Rpr)	KWK99494
1989-1960	318/5.2L	
	Seal	5414

TIMING COVER

6 Cylinder

1989	359/5.9L (diesel)	
	Seal	39803
	Kwik Slv (Opt Rpr)	KWK99248
1989-1988	239/3.9L	
	Seal	3103
	Harmonic Balancer	
	Sleeves	88218
1980-1961	225/3.7L	
	Seal	3095
	Kwik Slv (Opt Rpr)	KWK99226

8 Cylinder

1989-1988	359/5.9L	
	Seal	39803
	Kwik Slv (Opt Rpr)	KWK99248
1989-1960	318/5.2L, 360/5.9L	
	Seal	3103
	Kwik Slv (Opt Rpr)	KWK99218

DODGE TRUCK - 1-1/2, 2, 2-1/2 TON - 400, 500, 600, 700 Series Trucks, Motor Home Chassis

FRONT WHEEL

2WD

1981-1976	4500 lb. axle	
	Seal (inner)	493291[2]
	Set (inner)	SET45
	Cone/Cup (outer)	15101-15245[2]
1981-1976	3800 lb. axle	
	Seal (inner)	493291[2]
	Set (inner)	SET45
	Cone/Cup (outer)	15101-15245[2]
1981-1959	5000 lb. axle	
	Seal (inner)	3210[2]
	Cone/Cup (inner)	25590-25520[2]
	Cone/Cup (outer)	14116-14276[2]
1979-1977	Spicer 60, 70 axles	
	Seal (inner)	411348[2]
	Cone/Cup (inner)	387A-382A[2]
	Set (outer)	SET38

FRONT WHEEL (cont.)

2WD (cont.)

1978-1977	Rockwell FDS75 axle	
	Seal (inner)	470737N[2]
	Cone/Cup (inner)	39590-39520[2]
	Cone/Cup (outer)	387S-382A[2]
1977-1970	7000 lb. axle	
	Seal (inner)	6780S[2]
	Cone/Cup (inner)	45284-45220[2]
	Cone/Cup (outer)	3780-3720[2]
1973-1958	4000 lb. axle	
	Seal (inner)	493291[2]
	Set (inner)	SET37
	Cone/Cup (outer)	15101-15245[2]
1969-1965	7000 lb. axle	
	Seal (inner)	6780S[2]
	Cone/Cup (inner)	45284-45220[2]
	Cone/Cup (outer)	2780-2720[2]

Bearings and Seals

Mfg./Year Model & Location Part No Mfg./Year Model & Location Part No

DODGE TRUCK - 1-1/2, 2, 2-1/2 TON - 400, 500, 600, 700 Series Trucks, Motor Home Chassis (cont.)

FRONT WHEEL (cont.)

2WD (cont.)

1957-1946	Cab Over Engine	
Seal (inner)	3210[2]
Cone/Cup (inner)	3586-3525[2]
Cone/Cup (outer)	2578-2523[2]
1957-1946	exc. Cab Over Engine	
Seal (inner)	493291[2]
Cone/Cup (inner)	26884-26823[2]
Cone/Cup (outer)	1780-1729[2]

4WD

1977-1976	3800 lb. axle	
Seal (inner)	493291[2]
Set (inner)	SET37
Cone/Cup (outer)	15101-15245[2]
1977-1976	4500 lb. axle	
Seal (inner)	493291[2]
Set (inner)	SET37
Cone/Cup (outer)	15101-15245[2]

REAR WHEEL

1981-1977	Dana/Spicer 60 axle	
Seal (inner)	4250[2]
Set (inner)	SET38
Cone/Cup (outer)	359S-354A[2]
1981-1972	Dana/Spicer 60HD axle	
Seal (inner)	455086[2]
Cone/Cup (inner)	45291-45220[2]
Set (outer)	SET38
1981-1972	Dana/Spicer 70 axle	
Seal (inner)	455086[2]
Cone/Cup (inner)	45291-45220[2]
Set (outer)	SET38
1981-1972	Dana/Spicer 70HD axle	
Seal (inner)	456648[2]
Cone/Cup (inner)	3982-3920[2]
Cone/Cup (outer)	3767-3720[2]
1979-1962	F140D, F147 with Rockwell axles	
Seal (inner)	455249[2]
Cone/Cup (inner)	33287-33462[2]
Cone/Cup (outer)	3982-3920[2]
1979-1962	Eaton 13802, 15201 axles	
Seal (inner)	455249[2]
Cone/Cup (inner)	33287-33462[2]
Cone/Cup (outer)	3982-3920[2]
1979-1959	Eaton 16221, 16244, 16802 axles	
Seal (inner)	455547[2]
Cone/Cup (inner)	42688-42620[2]
Cone/Cup (outer)	39590-39520[2]
1979-1958	H141, H171, H172, H341 with Rockwell axles	
Seal (inner)	455547[2]
Cone/Cup (inner)	42688-42620[2]
Cone/Cup (outer)	39590-39520[2]
1973-1970	Eaton 17120, 17220 axles	
Seal (inner)	456618[2]
Cone/Cup (inner)	47686-47620[2]
Cone/Cup (outer)	39590-39520[2]

REAR WHEEL (cont.)

1973-1957	Chrysler RA115 axle	
Seal (inner)	455336[2]
Cone/Cup (inner)	3984-3920[2]
Cone/Cup (outer)	462-453X[2]
1972-1970	L345 with Rockwell axles	
Seal (inner)	456618[2]
Cone/Cup (inner)	47686-47620[2]
Cone/Cup (outer)	39590-39520[2]
1968-1957	Eaton 1350 axle	
Seal (inner)	455249[2]
Cone/Cup (inner)	33281-33462[2]
Cone/Cup (outer)	3982-3920[2]
1967-1964	Eaton 1614 axle	
Seal (inner)	455547[2]
Cone/Cup (inner)	42688-42620[2]
Cone/Cup (outer)	39590-39520[2]
1963-1958	Eaton 1614 axle	
Seal (inner)	455547[2]
Cone/Cup (inner)	42688-42620[2]
Cone/Cup (outer)	3984-3920[2]
1963-1958	Eaton 1315 axle	
Cone/Cup (inner)	33287-33462[2]
Cone/Cup (outer)	3982-3920[2]
1956-1954	F, G Series	
Seal (inner)	455336[2]
Cone/Cup (inner)	3984-3920[2]
Cone/Cup (outer)	462-453X[2]
1956-1948	DU, EU Route Van	
Seal (inner)	417485[2]
Cone/Cup (inner)	28682-28622[2]
Seal (outer)	6077[2]
Cone/Cup (outer)	2984-2924[2]
1956-1948	H, HM, J, JM Series	
Seal (inner)	455249[2]
Cone/Cup (inner)	33281-33462[2]
Cone/Cup (outer)	3982-3920[2]
1956-1948	K, KM Series	
Seal (inner)	455547[2]
Cone/Cup (inner)	42688-42620[2]
Cone/Cup (outer)	39590-39520[2]

4WD FRONT AXLE

Differential Rebuild Kit

1981-1977	Dana/Spicer 70F axle	
Kit	DRK332
1981-1958	Dana/Spicer 60F axle	
Kit	DRK331

Differential

1981-1958	Dana/Spicer 60F, 70F axles	
Cone/Cup	387A-382S[2]
1978-1974	Rockwell FDS75 axle	
Cone/Cup	3994-3920[2]
1973-1958	Rockwell FDS75 axle	
Cone/Cup	3994-3920[2]

DODGE TRUCK - 1-1/2, 2, 2-1/2 TON - 400, 500, 600, 700 Series Trucks, Motor Home Chassis (cont.)

4WD FRONT AXLE

Pinion

1981-1972	Dana/Spicer 60F, 70F axles	
	Cone/Cup (inner)	HM803146-HM803110
	Seal (outer)	9316
	Cone/Cup (outer)	HM88542-HM88510
1978-1974	Rockwell FDS75 axle	
	Cone/Cup (inner)	53176-53387
	Cone/Cup (outer)	53176-53387
	Cyl. Bearing (pilot)	MU1305TDM
1973-1958	Rockwell FDS75 axle	
	Cone/Cup (inner)	HM903247-HM903216
	Seal (outer)	410316N
	Cone/Cup (outer)	HM903244-HM903216
1971-1958	Dana/Spicer 60F axle	
	Cone/Cup (inner)	HM803146-HM803110
	Seal (outer)	6808N
	Cone/Cup (outer)	HM88542-HM88510

Steering Knuckle

1981-1980	Dana/Spicer 60F axle	
	Seal (upper)	710304[2]
	Cone/Cup (upper)	23100-23256[2]
	Seal (lower)	710385[2]
	Cone/Cup (lower)	23100-23256[2]
1981-1980	Dana/Spicer 70F axle	
	Seal	710304[2]
	Cone/Cup	23100-23256[2]
1979-1958	Dana/Spicer 60F, 70F axles	
	Seal	710304[2]
	Cone/Cup	23100-23256[2]
1978-1974	Rockwell FDS74 axle	
	Cone/Cup	M86649-M86610[2]

SINGLE REAR AXLE

Differential Rebuild Kit

1981-1977	Dana/Spicer 60 axle	
	Kit	DRK331
1981-1972	Dana/Spicer 70 axle	
	Kit	DRK332
1977-1969	Eaton 18221 axle	
	Kit	DRK1
1977-1966	Eaton 17120, 17220 axles	
	Kit	DRK1A
1977-1966	Eaton 18121 axle	
	Kit	DRK1A
1977-1960	Eaton 16221 axle	
	Kit	DRK23
1977-1960	Eaton 16244 axle	
	Kit	DRK23D
1977-1960	Eaton 16802 axle	
	Kit	DRK23
1977-1959	Eaton 1350 axle	
	Kit	DRK24
1977-1959	Eaton 15201 axle	
	Kit	DRK24
1961	Eaton 17800 axle	
	Kit	DRK1

SINGLE REAR AXLE

Differential

1989-1974	Rockwell F140, F140D, F147 axles: production thru 5/74	
	Cone/Cup	3994-3920[2]
1981-1972	Dana/Spicer 60, 70 axles	
	Cone/Cup	387A-382S[2]
1977-1975	Rockwell F140, F140D, F147 axles	
	Cone/Cup	3994-JM511910[2]
1977-1975	Rockwell H172 axle	
	Cone/Cup	JLM714149-JLM714110[2]
1977-1970	Rockwell H170 axle	
	Cone/Cup (LH)	47490-47420
	Cone/Cup (RH)	33275-33472
1977-1969	Eaton 17220, 18221 axles	
	Cone/Cup (LH)	56425-56650
	Cone/Cup (RH)	497-493
1977-1966	Eaton 17120, 18121 axles	
	Cone/Cup (LH)	567-563
	Cone/Cup (RH)	497-493
1977-1960	Eaton 16221, 16244, 16802 axles	
	Cone/Cup (LH)	42381-42584
	Cone/Cup (RH)	495A-493
1977-1957	Eaton 1350, 15201 axles	
	Cone/Cup (LH)	498-493
	Cone/Cup (RH)	33275-33472
1975-1957	Rockwell H141 axle	
	Cone/Cup	33281-33472[2]
1974	Rockwell F140, F140D, F147 axles: production from 6/74 on	
	Cone/Cup	3994-JM511910[2]
1973-1970	Rockwell F140D axle	
	Cone/Cup	3994-3920[2]
1971-1960	Rockwell H341 axle	
	Cone/Cup	33281-33462[2]
1971-1958	RA-115 axle	
	Cone/Cup	28985-28920[2]
1969	Rockwell Q345 axle	
	Cone/Cup (LH)	496-493
	Cone/Cup (RH)	47686-47620
1969-1968	Rockwell L345 axle	
	Cone/Cup	42688-42620[2]
1968	Eaton 1614 axle	
	Cone/Cup	3994-3920[2]
1961	Eaton 1614 axle	
	Cone/Cup	3994-3920[2]
1961	Eaton 1790A axle	
	Cone/Cup (LH)	33281-33472
	Cone/Cup (RH)	567-563
1961	Eaton 17800 axle	
	Cone/Cup (LH)	56425-56650
	Cone/Cup (RH)	497-493
1961	Rockwell L140 axle	
	Cone/Cup (LH)	42688-42620
	Cone/Cup (RH)	34301-34500
1961	Rockwell L340 axle	
	Cone/Cup	42688-42620[2]

Bearings and Seals

Mfg./Year Model & Location Part No Mfg./Year Model & Location Part No

DODGE TRUCK - 1-1/2, 2, 2-1/2 TON - 400, 500, 600, 700 Series Trucks, Motor Home Chassis (cont.)

SINGLE REAR AXLE

Pinion

1981-1977	Dana/Spicer 60 axle
	Cone/Cup (inner) HM803146-HM803110
	Seal (outer) 9316
	Cone/Cup (outer) HM88542-HM88510
1981-1972	Dana/Spicer 70 axle
	Cone/Cup (inner) HM807040-HM807010
	Seal (outer) 9316
	Cone/Cup (outer) HM88542-HM88510
1977-1975	Rockwell F140, F140D, F147 axles
	Cone/Cup (inner) HM803149-HM803110
	Seal (outer) 475234N
	Cone/Cup (outer) HM803149-HM803110
	Cyl. Bearing (pilot) MUB1305TDM
1977-1975	Rockwell H172 axle
	Cone/Cup (inner) 55200C-55437
	Seal (outer) 415082N
	Cone/Cup (outer) HM804846-HM804810
	Cyl. Bearing (pilot) RU1570UM
1977-1970	Rockwell H170 axle
	Cone/Cup (inner) HM807044-HM807010
	Seal (outer) 470574N
	Cone/Cup (outer) M804049-M804010
	Cyl. Bearing (pilot) RU1570UM
1977-1966	Eaton 17120, 17220 axles
	Cone/Cup (inner) 55200C-55437
	Seal (outer) 9773R
	Cone/Cup (outer) 55200C-55437
	Cyl. Bearing (pilot) MUS1307UM
1977-1966	Eaton 18121, 18221 axles
	Cone/Cup (inner) 55200C-55437
	Seal (outer) 9773R
	Cone/Cup (outer) 55200C-55437
	Cyl. Bearing (pilot) MUS1307UM
1977-1962	Eaton 15201 axle
	Cone/Cup (inner) HM903249-HM903210
	Cone/Cup (outer) HM903249-HM903210
	Cyl. Bearing (pilot) MU1305TDM
	Seal Kit (dust seal) 722250S
	Seal 470737N
1977-1960	Eaton 16221, 16802 axles: 2.625" axle shaft
	Cone/Cup (inner) HM903249-HM903210
	Seal (outer) 712625
	Cone/Cup (outer) HM903249-HM903210
	Cyl. Bearing (pilot) MUS1307UM
1977-1960	Eaton 16221, 16802" axles: 2.375" axle shaft
	Cone/Cup (inner) HM903249-HM903210
	Seal (outer) 712375
	Cone/Cup (outer) HM903249-HM903210
	Cyl. Bearing (pilot) MUS1307UM
1977-1960	Eaton 16244 axle: 2.625" axle shaft
	Cone/Cup (inner) 55175C-55437
	Seal (outer) 9773R
	Cone/Cup (outer) 55175C-55437
	Cyl. Bearing (pilot) MUS1307UM

SINGLE REAR AXLE (cont.)

Pinion (cont.)

1977-1960	Eaton 16244 axle: 2.375" axle shaft
	Cone/Cup (inner) 55175C-55437
	Seal (outer) 475095N
	Cone/Cup (outer) 55175C-55437
	Cyl. Bearing (pilot) MUS1307UM
1975-1974	Rockwell H141 axle
	Cone/Cup (inner) 55187C-55443
	Seal (outer) 412119
	Cone/Cup (outer) 55176C-55443
1975-1957	Rockwell H141 axle with 1.375" ID
	Cone/Cup (inner) 55187C-55443
	Cyl. Bearing (pilot) MU1306TDM
1975-1957	Rockwell H141 axle with 1.875" ID
	Cone/Cup (inner) 55187C-55443
	Cyl. Bearing (pilot) MU1306TDM
1974-1970	Rockwell F140, F140D, F147 axles
	Cone/Cup (inner) HM903249A-HM903216
	Seal (outer) 475234N
	Cone/Cup (outer) HM903249A-HM903216
	Cyl. Bearing (pilot) MUB1305TDM
1973-1957	Rockwell H141 axle
	Cone/Cup (inner) 55187C-55443
	Seal (outer) 410101N
	Cone/Cup (outer) 55176C-55443
1971-1960	Rockwell H341 axle
	Cone/Cup (inner) HM807046-HM807010
	Seal (outer) 475380N
	Cone/Cup (outer) HM803145-HM803110
1971-1958	RA-115 axle
	Cone/Cup (inner) 49585-49520
	Seal (outer) 5921
	Cone/Cup (outer) NA44163-44363D
1969	Rockwell Q345 axle
	Cone/Cup (inner) HM813844-HM813810
	Seal (outer) 476283N
	Cone/Cup (outer) HM807046-HM807010
1969-1968	Rockwell L345 axle
	Cone/Cup (inner) HM804843-HM804810
	Seal (outer) 475009N
	Cone/Cup (outer) HM804843-HM804810
	Cone/Cup (pilot) HM813842-HM813810
1968-1961	Eaton 1614 axle
	Cone/Cup (inner) 55175C-55437
	Seal (outer) 475003N
	Cone/Cup (outer) 55175C-55437
	Cyl. Bearing (pilot) MU1306UM
1965-1959	Eaton 1350 axle
	Cone/Cup (inner) HM903249-HM903210
	Seal (outer) 470737N
	Cone/Cup (outer) HM903249-HM903210
	Cyl. Bearing (pilot) MU1305TDM

DODGE TRUCK - 1-1/2, 2, 2-1/2 TON - 400, 500, 600, 700 Series Trucks, Motor Home Chassis (cont.)

SINGLE REAR AXLE (cont.)

Pinion (cont.)

1961	Eaton 1790A axle	
	Cone/Cup (inner)	55200C-55437
	Seal (outer)	475003N
	Cone/Cup (outer)	55200C-55437
	Cyl. Bearing (pilot)	MUS1307UM
1961	Eaton 17800 axle	
	Cone/Cup (inner)	55200C-55437
	Seal (outer)	9773R
	Cone/Cup (outer)	55200C-55437
	Cyl. Bearing (pilot)	MUS1307UM
1961	Rockwell L140 axle	
	Cone/Cup (inner)	66200-66462
	Seal (outer)	475009N
	Cone/Cup (outer)	55187C-55437
	Cyl. Bearing (pilot)	MU1306TDM
1961	Rockwell L340 axle	
	Cone/Cup (inner)	HM804843-HM804810
	Seal (outer)	475009N
	Cone/Cup (outer)	HM813842-HM813810
1958-1957	Eaton 1350 axle	
	Cone/Cup (inner)	HM903249-HM903210
	Seal (outer)	450103
	Cone/Cup (outer)	HM903249-HM903210
	Cyl. Bearing (pilot)	MU1305TDM

TANDEM REAR AXLE - FRONTMOST AXLE

Differential

1969	Eaton 30DSC, 30DSE axles: ribbed center section	
	Cone/Cup (LH)	495-493
	Cone/Cup (RH)	42381-42584
1969	Eaton 30DSC, 30DSE axles: conical center section	
	Cone/Cup (LH)	3994-3920
	Cone/Cup (RH)	567-563
1969	Rockwell SLHD axle: 1.11 thru 4.63 rear gear	
	Cone/Cup (LH)	497-493
	Cone/Cup (RH)	496-493
1969	Rockwell SLHD axle: 4.64 thru 9.99 rear gear	
	Cone/Cup	496-493[2]
1969-1961	Rockwell SHHD axle	
	Cone/Cup	33281-33472[2]
1961	Eaton 30DS axle: ribbed center section	
	Cone/Cup (LH)	495A-493
	Cone/Cup (RH)	42381-42584
1961	Eaton 30DS axle: conical center section	
	Cone/Cup (LH)	3994-3920
	Cone/Cup (RH)	567-563
1961	Rockwell SDHD axle	
	Cone/Cup	3994-3920[2]

TANDEM REAR AXLE - FRONTMOST AXLE

Pinion

1969	Eaton 30DSC, 30DSE axles	
	Cone/Cup (inner)	55200C-55437
	Cone/Cup (outer)	55200C-55437
	Cyl. Bearing (pilot)	MUS1307UM
1969	Rockwell SLHD axle: 1.1875" pilot shaft	
	Cone/Cup (inner)	72200C-72487
	Seal (outer)	476500N
	Cone/Cup (outer)	72200C-72487
	Cyl. Bearing (pilot)	MU1306TDM
1969	Rockwell SLHD axle: 1.375" pilot shaft	
	Cone/Cup (inner)	72200C-72487
	Seal (outer)	476500N
	Cone/Cup (outer)	72200C-72487
	Cyl. Bearing (pilot)	RU1570UM
1969-1961	Rockwell SHHD axle: 1.1875" pilot shaft	
	Cone/Cup (inner)	55200C-55443
	Seal (outer)	476574N
	Cone/Cup (outer)	55200C-55443
	Cyl. Bearing (pilot)	MU1306TDM
1969-1961	Rockwell SHHD axle: 1.375" pilot shaft	
	Cone/Cup (inner)	55200C-55443
	Seal (outer)	476574N
	Cone/Cup (outer)	55200C-55443
	Cyl. Bearing (pilot)	RU1570UM
1961	Eaton 30DS axle	
	Cone/Cup (inner)	55200C-55437
	Cone/Cup (outer)	55200C-55437
	Cyl. Bearing (pilot)	MUS1307UM
1961	Rockwell SDHD axle	
	Cone/Cup (inner)	HM903245-HM903210
	Seal (outer)	410101N
	Cone/Cup (outer)	44162-44348
	Cyl. Bearing (pilot)	MU1305TDM

Input Shaft

1969	Eaton 30DSC, 30DSE axles	
	Seal	475003N
	Bearing	311TB
1969	Rockwell SLHD axle	
	Bearing	211B
1969-1961	Rockwell SHHD axle	
	Bearing	211TB
1961	Eaton 30DS axle	
	Seal	475003N
	Bearing	311TB
1961	Rockwell SDHD axle	
	Bearing	209BB

Bearings and Seals

Mfg./Year Model & Location Part No Mfg./Year Model & Location Part No

DODGE TRUCK - 1-1/2, 2, 2-1/2 TON - 400, 500, 600, 700 Series Trucks, Motor Home Chassis (cont.)

TANDEM REAR AXLE - FRONTMOST AXLE

Output Shaft

1969	Eaton 30DSC, 30DSE axles
	Cone/Cup (inner) 34274-34492A
	Seal (outer) 475003N
	Bearing (outer) MA1209EL
1961	Eaton 30DS axle
	Cone/Cup (inner) 34274-34492A
	Seal (outer) 475003N
	Bearing (outer) MA1209EL

Internal Drive Shaft

1969-1961	Rockwell SHHD, SLHD axles
	Cone/Cup 29675-29630[2]
1961	Rockwell SDHD axle
	Bearing (front) 116SL
	Bearing (rear) 212SL

Internal Idler Shaft

1969-1961	Rockwell SHHD, SLHD axles
	Cone/Cup 31597-31520[2]
1961	Rockwell SDHD axle
	Set SET5[2]

Internal Thrust shaft

1969	Rockwell SLHD axle: double row ball bearing
	Seal 475322N
	Bearing 5209W
1969	Rockwell SLHD axle: single row ball bearing
	Seal 475322N
	Bearing 209BB
1969-1961	Rockwell SHHD axle: ball bearing
	Bearing (front) 209BB
	Seal (rear) 410101N
	Bearing (rear) 209BB
1969-1961	Rockwell SHHD axle: tapered bearing
	Set (front) SET37
	Seal (rear) 410101N
	Set (rear) SET37
1961	Rockwell SDHD axle
	Bearing 208

TANDEM REAR AXLE - REARMOST AXL

Differential

1969	Rockwell SLHD axle: 1.11 thru 4.63 rear gear
	Cone/Cup (LH) 497-493
	Cone/Cup (RH) 496-493
1969	Rockwell SLHD axle: 4.64 thru 9.99 rear gear
	Cone/Cup 496-493[2]
1969-1961	Rockwell SHHD axle
	Cone/Cup 33281-33472[2]

TANDEM REAR AXLE - REARMOST AXL (cont.)

Differential (cont.)

1961	Rockwell SDHD axle
	Cone/Cup (LH) 3994-3920
	Cone/Cup (RH) 395-394AS

Pinion

1969	Rockwell SLHD axle: 1.1875" pilot shaft
	Cone/Cup (inner) 72200C-72487
	Seal (outer) 475009N
	Cone/Cup (outer) 72188C-72487
	Cyl. Bearing (pilot) MU1306TDM
1969	Rockwell SLHD axle: 1.375" pilot shaft
	Cone/Cup (inner) 72200C-72487
	Seal (outer) 475009N
	Cone/Cup (outer) 72188C-72487
	Cyl. Bearing (pilot) RU1570UM
1969-1961	Rockwell SHHD axle: 1.1875" pilot shaft
	Cone/Cup (inner) 55187C-55443
	Seal (outer) 410101N
	Cone/Cup (outer) 55176C-55443
	Cyl. Bearing (pilot) MU1306TDM
1969-1961	Rockwell SHHD axle: 1.375" pilot shaft
	Cone/Cup (inner) 55187C-55443
	Seal (outer) 410101N
	Cone/Cup (outer) 55176C-55443
	Cyl. Bearing (pilot) RU1570UM
1961	Rockwell SDHD axle
	Cone/Cup (inner) HM903245-HM903210
	Seal (outer) 470308N
	Cone/Cup (outer) 44143-44348
	Cyl. Bearing (pilot) MU1306TDM

CLUTCH

Pilot Bearing

1981-1980	8-cylinder 360 engine
	Bushing H/D PB286HD
1979-1959	8-cylinder 318 engine
	Bushing H/D PB286HD
1979-1959	8-cylinder 360 engine
	Bushing H/D PB286HD
1979-1959	8-cylinder 400 engine
	Bushing H/D PB286HD
1979-1959	8-cylinder 470 engine: diesel
	Bushing H/D PB286HD
1977-1973	8-cylinder 361 engine: 13" clutch
	Bearing 205SS
1977-1973	8-cylinder 361 engine: 14" clutch
	Bushing H/D PB286HD
1977-1973	8-cylinder 413 engine: 13" clutch
	Bearing 205SS
1977-1973	8-cylinder 413 engine: 14" clutch
	Bushing H/D PB286HD

DODGE TRUCK - 1-1/2, 2, 2-1/2 TON - 400, 500, 600, 700 Series Trucks, Motor Home Chassis (cont.)

CLUTCH (cont.)

Pilot Bearing (cont.)

1974-1961	6-cylinder 170, 225, 354 engines	
	Bushing H/D	PB286HD
1972-1960	8-cylinder 361 engine	
	Bearing	205SS
1971-1967	8-cylinder 413 engine	
	Bearing	204S
1963-1957	6-cylinder 230, 251, 265 engines	
	Bearing	204S

Release Bearing

1981-1980	8-cylinder 360 engine	
	Bearing Only	DC2065C
1981-1969	400 Series	
	Bearing Assy	614036
1977-1969	500 Series: 12" or 13" clutch	
	Bearing Only	DC2065C
1977-1969	600 Series: 12" or 13" clutch	
	Bearing Only	DC2065C
1973-1970	600 Series: 361-3 engine	
	Bearing Only	DA2255C
1973-1961	500 Series: 13" clutch: 318, 361-2 engines	
	Bearing Only	DB2255C
1973-1961	600 Series: 13" clutch: 318, 361-2 engines	
	Bearing Only	DB2255C
1968-1959	400 Series	
	Bearing Only	DC2065C
1958-1946	400 Series	
	Bearing Only	2065

DRIVESHAFT SUPPORT

1985-1956	Spicer 1260-1410: 1.3780" bearing ID	
	Bearing	88107
	Hanger Bearing Assy	HB88107A
1979-1956	Detroit: 1.3780" bearing ID	
	Hanger Bearing Assy	HB88107
1979-1956	Spicer: 1.3780" bearing ID	
	Hanger Bearing Assy	HB88107
1979-1956	Spicer: 1.5748" bearing ID	
	Hanger Bearing Assy	HB88508
1979-1956	Spicer: 1.7717" bearing ID	
	Hanger Bearing Assy	HB88509
1979-1956	Spicer: 1.9685" bearing ID	
	Hanger Bearing Assy	HB88510
1979-1956	Spicer: 2.3622" bearing ID	
	Hanger Bearing Assy	HB88512AHD

TIMING COVER

8 Cylinder

1981-1960	360/5.9L	
	Seal	3103
	Kwik Slv (Opt Rpr)	KWK99218

EAGLE - Medallion, Premier, Summit

FRONT WHEEL

1989	Summit	
	Seal	474134[2]
	Set	SET41[2]
1989-1988	Premier	
	Bearing	513144K[2]
1989-1988	Medallion	
	Bearing	513144K[2]

REAR WHEEL

1989	2000 GTX : disc brakes	
	Hub Assy	512158[2]
1989	2000 GTX : drum brakes	
	Seal (inner)	1196[2]
	Set (inner)	SET4
	Set (outer)	SET1
1989	Premier: non-ABS drum brakes	
	Hub Assy	513070[2]
1989	Summit 2-door: disc brakes	
	Seal (inner)	1205N[2]
	Bearing Assy (inner)	516000[2]
	Bearing Assy (outer)	516000[2]

REAR WHEEL (cont.)

1989	Summit 2-door: Mitsubishi drum brakes	
	Seal (inner)	1205N[2]
	Bearing Assy (inner)	516001WB[2]
	Bearing Assy (outer)	516001WB[2]
1989	Summit 4-door	
	Seal (inner)	1205N[2]
	Bearing Assy (inner)	513029[2]
	Bearing Assy (outer)	513029[2]
1989-1988	Medallion: non-ABS disc brakes	
	Hub Assy	513078[2]
1989-1988	Medallion: non-ABS drum brakes	
	Hub Assy	513142[2]

CLUTCH

Pilot Bearing

1989-1988	2.2 4-cylinder engine	
	Bearing	203FF
1989-1988	2.5 4-cylinder	
	Needle Bearing	FC65446

Bearings and Seals

Mfg./Year Model & Location Part No Mfg./Year Model & Location Part No

EAGLE - Medallion, Premier, Summit (cont.)

CLUTCH

Release Bearing

1989-1988 Summit
 Bearing Assy 614126
1989-1988 Premier: 3.0 V6
 Bearing Assy 614092
1989-1988 Premier: 2.5 4-cylinder
 Bearing Assy 614126

3-SPEED AUTOMATIC TRANSAXLE

Torque Converter

1989 F3A22, F3A21-3, KM171-5,
 KM171
 Seal 320583
 Kwik Slv (Opt Rpr) KWK99157
1989-1988 Renault MJ3
 Seal 224266
 Kwik Slv (Opt Rpr) KWK99169

Transfer Shaft

1989 KM171, KM171-5
 Bearing Assy (inner) 30206M
 Bearing Assy (outer) 30304

Transfer Gear

1989 KM171, F3A21-2, KM171-5
 Bearing (inner) 207
 Bearing (outer) 306L

Output Shaft

1989 F3A22, F3A21-3, KM171-5,
 KM171
 Seal 223543[2]
 Kwik Slv (Opt Rpr) KWK99139[2]

Differential

1989 KM171, F3A21-2, KM171-5
 Bearing 207[2]
1989-1988 Renault MJ3
 Bearing Assy 30207M[2]

4-SPEED AUTOMATIC TRANSAXLE

Differential

1989-1988 ZF 4 HP18
 Cone/Cup (LH) LM806649-LM806610
 Cone/Cup (RH) LM300849-LM300811
1989-1984 A604, A670
 Set SET11[2]

Torque Converter

1989-1988 ZF 4 HP18FL: Premier
 Seal 224510
 Kwik Slv (Opt Rpr) KWK99177
1989-1988 Renault AR4
 Seal 225110
 Kwik Slv (Opt Rpr) KWK99212

4-SPEED AUTOMATIC TRANSAXLE

Transfer Shaft

1989-1988 A604, A670
 Set SET11[2]

Output Shaft

1989-1988 A604, A670
 Seal 3459S[2]
 Set SET17

Pinion

1989-1988 ZF 4 HP18FL: Premier
 Seal Viton 710279
 Kwik Slv (Opt Rpr) KWK99215

Selector Shaft Seal/Man. Shaft

1989-1988 A604, A604-41TE, A670
 Seal 8609

4-SPEED MANUAL TRANSAXLE

Differential

1989 F4M21-1
 Bearing 207[2]
1989 KM200-0
 Bearing Assy 30207M[2]

Input Shaft

1989 F4M21-1, KM200-0
 Seal Viton 712007
 Kwik Slv (Opt Rpr) KWK99098

Countershaft

1989 KM200-0
 Bearing (front) RW122
 Bearing (rear) 108A

Mainshaft

1989 KM200-0
 Bearing (rear) 108A

Output Shaft

1989-1988 F4M21-1, KM200-0
 Seal 223543[2]
 Bearing Assy 30206M[2]
 Kwik Slv (Opt Rpr) KWK99139[2]

Selector Shaft Seal/Man. Shaft

1989-1988 F4M21-1, KM200-0
 Seal 710222

5-SPEED MANUAL TRANSAXLE

Differential

1989 F5M21-1, F5M21-2, W5M31-2,
 W5M33-2, KM201-0, KM215-0
 Bearing 207[2]

EAGLE - Medallion, Premier, Summit (cont.)

**5-SPEED MANUAL TRANSAXLE
(cont.)**

Differential (cont.)

1989-1988	KM182-2, F5M22-2, KM182-0, KM206-0, KM206, KM221-1	
	Bearing Assy	30207M[2]
1989-1988	Renault NG3	
	Bearing Assy (LH)	30207M

Input Shaft

1989-1988	KM182-2, KM182-0	
	Seal Viton (front)	712007
	Kwik Slv (Opt Rpr)	KWK99098
	Bearing (center)	304WB
	Bearing Assy (rear)	30304
1989-1988	KM201-0, KM206-0	
	Seal Viton (front)	712007
	Kwik Slv (Opt Rpr)	KWK99098
	Bearing (center)	304WB
	Bearing (rear)	108A

Countershaft

1989	KM201-0, KM206-0	
	Bearing (front)	RW122
	Bearing (rear)	108A

Output Shaft

1989	F5M21-1, F5M21-2, F5M22-1, F5M22-2, KM201-0, KM206, KM206-0	
	Seal	223543[2]
	Bearing Assy	30206M[2]
	Kwik Slv (Opt Rpr)	KWK99139[2]
1989-1988	Renault UN1	
	Seal	224235[2]
1989-1988	KM182-2, KM182-0	
	Seal	223543[2]
	Kwik Slv (Opt Rpr)	KWK99139[2]

Selector Shaft Seal/Man. Shaft

1989	F5M21-1, F5M21-2, F5M22-2, KM182-2, KM182-0, KM201-0, KM206-0	
	Seal	710222

CAMSHAFT SEAL

4 Cylinder

1989	1595cc/1.6L (DOHC), 1997cc/2.0L (DOHC)	
	Seal	3771[2]
	Kwik Slv (Opt Rpr)	KWK99139[2]
1989	1468cc/1.5L, 1755cc/1.8L, 1834cc/1.8L, 2351cc/2.4L	
	Seal	3771
	Kwik Slv (Opt Rpr)	KWK99139
1989-1988	2165cc/2.2L	
	Seal	1172S
	Kwik Slv (Opt Rpr)	KWK99139

CRANKSHAFT REAR SEAL

4 Cylinder

1989-1988	150/2.5L	
	Seal Viton	716445
	Kwik Slv (Opt Rpr)	KWK99294
1989	1468cc/1.5L, 1755cc/1.8L	
	Seal	227235
1989	1595cc/1.6L (DOHC), 1997cc/2.0L (DOHC), 2351cc/2.4L	
	Seal Viton	228005
	Kwik Slv (Opt Rpr)	KWK99315
1989-1988	2165cc/2.2L	
	Seal Viton	229005
	Kwik Slv (Opt Rpr)	KWK99354

6 Cylinder

1989-1988	2970cc/3.0L	
	Seal	228010
	Kwik Slv (Opt Rpr)	KWK99315

TIMING COVER

4 Cylinder

1989	1595cc/1.6L (DOHC), 1597cc/1.6L, 1755cc/1.8L, 1997cc/2.0L, 2351cc/2.4L	
	Seal	224460
1989	1468cc/1.5L	
	Seal	223018
	Kwik Slv (Opt Rpr)	KWK99114
1989-1988	2165cc/2.2L	
	Seal Viton	225020
	Kwik Slv (Opt Rpr)	KWK99196
1989-1988	150/2.5L	
	Seal	321460
	Kwik Slv (Opt Rpr)	KWK99179
	Harmonic Balancer	
	Sleeves Opt.	88179

6 Cylinder

1989-1988	2970cc/3.0L	
	Seal Viton	710196
	Kwik Slv (Opt Rpr)	KWK99157

Bearings and Seals

Mfg./Year Model & Location Part No Mfg./Year Model & Location Part No

FERRARI - BB512, F40, Testarossa, 3.2 Mondial, 308GT, 328GT, 348 Coupe, 400i, 512TR

FRONT WHEEL

1989-1987	Testarossa	
Set (inner)	SET5
Set (outer)	SET16
1989	F40	
Set (inner)	SET5
Set (outer)	SET16
1989-1984	Mondial	
Set (inner)	SET5
Set (outer)	SET16
1989-1988	328GTB/GTS	
Set (inner)	SET6
Set (outer)	SET2
1989-1983	400i	
Set (inner)	SET5
Set (outer)	SET16
1988-1987	GTO	
Set (inner)	SET5
Set (outer)	SET16
1988-1980	308 Series	
Set (inner)	SET6
Set (outer)	SET2
1987-1984	512	
Set (inner)	SET5
Set (outer)	SET16
1983-1980	512	
Set (inner)	SET6
Set (outer)	SET2
1979-1975	308S	
Set (inner)	SET5
Cone/Cup (outer)	12580-12520[2]
1979-1975	Dino Series	
Set (inner)	SET5
Cone/Cup (outer)	12580-12520[2]

REAR AXLE

Differential

1989-1986	412, 412i	
Cone/Cup	28580-28521[2]
1989-1986	GTO, Testarossa	
Cone/Cup (LH)	368A-362A
Cone/Cup (RH)	28580-28521
1989-1986	exc. 412, GTO, Testarossa	
Cone/Cup	368A-362A[2]
1985-1976	all	
Cone/Cup	368A-362A[2]

Pinion

1989-1988	328 Series	
Cone/Cup (outer)	28158-28300
1989-1988	Testarossa	
Cone/Cup (outer)	28158-28300

REAR AXLE (cont.)

Pinion (cont.)

1989-1986	412	
Cone/Cup (outer)	27880-27820
1989-1976	all	
Cone/Cup (inner)	M802048-M802011 ¹⁴
1987-1986	GTO	
Cone/Cup (outer)	11162-11300 ¹⁴
1987-1986	Testarossa	
Cone/Cup (outer)	27880-27820
1985-1984	BB512	
Cone/Cup (outer)	28158-28300
1985-1984	400	
Cone/Cup (outer)	27880-27820
1983-1976	308 Series	
Cone/Cup (outer)	28158-28300

3-SPEED AUTOMATIC TRANSMISSION

Torque Converter

1985-1984	THM400	
Seal	6712NA
Kwik Slv (Opt Rpr)	KWK99187

Rear Seal/Ext. Housing

1985-1984	THM400	
Seal	9449
Seal Kit Opt.	5208 ⁶⁴

Selector Shaft Seal/Man. Shaft

1985-1984	THM400	
Seal	8792S

214 [] Indicates Quantity Required; Set Components Listed Inside Rear Cover;

¹⁴ Special deviation code on some models. ⁶⁴ Opt. Seal and Bushing Kit

FIAT

FRONT WHEEL

1989-1979	X1/9	
Seal	222510[2]
Bearing	B33[2]
1984	2000	
Seal (inner)	481279[2]
Cone/Cup (inner)	15579X-15520[2]
Set (outer)	SET2
1982-1978	138	
Seal	222510[2]
Bearing	B33[2]
1982-1978	Strada	
Seal	222510[2]
Bearing	B33[2]
1982-1975	131	
Seal (inner)	1999[2]
Set (inner)	SET28
Set (outer)	SET2
1982-1975	Brava	
Seal (inner)	1999[2]
Set (inner)	SET28
Set (outer)	SET2
1979-1970	128	
Bearing	513116[2]
1978-1974	X1/9	
Bearing	513116[2]
1976-1966	124	
Seal (inner)	481279[2]
Cone/Cup (inner)	15579X-15520[2]
Set (outer)	SET2
1974-1969	Dino Coupe 2400, Dino Spider 2400	
Set (inner)	SET6
Set (outer)	SET2
1973-1968	850	
Seal (inner)	223535[2]
Bearing (inner)	513118[2]
Bearing (outer)	513119[2]
1970-1954	600	
Seal (inner)	223535[2]
Cone/Cup (inner)	07090XS-07204[2]
Bearing Assy (outer)	30302[2]
1969-1967	Dino Coupe 2000	
Set (inner)	SET6
Set (outer)	SET2
1969-1967	Dino Spider 2000	
Set (inner)	SET5
Set (outer)	SET2
1969-1963	1500: production from chassis #199408 on	
Set (inner)	SET6
Set (outer)	SET2
1966-1959	1800	
Set (inner)	SET5
Set (outer)	SET3
1966-1959	2100	
Bearing Assy (inner)	32206M[2]
Cone/Cup (outer)	05070XS-05185XS[2]
1966-1953	1100, E	
Seal (inner)	223535[2]
Cone/Cup (inner)	15579X-15520[2]

FRONT WHEEL (cont.)

1965-1963	1100D	
Seal (inner)	223535[2]
Set (inner)	SET6
Set (outer)	SET2
1963-1961	1500: production thru chassis #199407	
Cone/Cup (inner)	15579X-15520[2]
Bearing (outer)	509772[2]
1963-1953	1400	
Bearing Assy (inner)	32206M[2]
Cone/Cup (outer)	05070XS-05185XS[2]
1963-1953	1900	
Bearing Assy (inner)	32206M[2]
Cone/Cup (outer)	05070XS-05185XS[2]

REAR WHEEL

1988-1979	X1/9	
Bearing	B37[2]
1984	2000 Series	
Bearing	RW103R[2]
1982-1978	138 Series	
Bearing	513116[2]
1982-1978	Strada	
Bearing	513116[2]
1982-1975	131 Series	
Seal	223015[2]
Bearing	RW103R[2]
1982-1975	Brava	
Seal	223015[2]
Bearing	RW103R[2]
1979-1970	128 Series	
Seal	1998[2]
Bearing	513116[2]
1978-1973	X1/9	
Bearing	513116[2]
1976-1966	124 Series: production from chassis #069548 on	
Seal	223015[2]
Bearing	RW103R[2]
1974-1966	124 Wagon	
Seal	223015[2]
Bearing	RW103R[2]
1973-1968	850 Series: production thru chassis #187047	
Seal	223820[2]
Bearing	305AG[2]
1973-1968	850 Series: production from chassis #187048 on	
Seal	2000[2]
Bearing	305AG[2]
1972-1967	125 Series	
Seal	223015[2]
Bearing	RW103R[2]
1972-1960	500 Series	
Cone/Cup	07100-07204[2]
1970-1954	600 Series	
Cone/Cup	07100-07204[2]
1966	124 Series: production thru chassis #069547	
Bearing	RW102R[2]
1966-1963	1500 Cabriolet	
Bearing	206WB[2]

Bearings and Seals

Mfg./Year	Model & Location	Part No	Mfg./Year	Model & Location	Part No
-----------	------------------	---------	-----------	------------------	---------

FIAT (cont.)

REAR WHEEL (cont.)

1966-1957	1100 Series	
Bearing	206WB[2]
1966-1957	1200 Series	
Bearing	206WB[2]
1964-1962	1600S Cabriolet	
Bearing	206WB[2]
1963-1956	1400 Series	
Bearing	306TB[2]
1963-1956	1900 Series	
Bearing	306TB[2]

REAR AXLE

Pinion

1985-1974	2000	
Seal (outer)	223620
1979-1977	124	
Cone/Cup (inner)	23690-23620
Cone/Cup (outer)	02473X-02419
1976-1966	124	
Seal (outer)	223620
Cone/Cup (outer)	HM89443-HM89410
1975-1969	130	
Cone/Cup	HM89443-HM89410
1974-1969	Dino Coupe, Spider: 2400	
Cone/Cup (inner)	HM801346-HM801310
Cone/Cup (outer)	HM89443-HM89410
1972-1969	131	
Cone/Cup	HM89443-HM89410
1969-1967	Dino Coupe, Spider: 2000	
Cone/Cup (inner)	HM801346-HM801310
Cone/Cup (outer)	HM89443-HM89410
1968-1966	1500: production from 12/66 on	
Cone/Cup (inner)	HM801346-HM801310
Cone/Cup (outer)	HM89443-HM89410
1968-1966	2300: production from 12/66 on	
Cone/Cup (inner)	HM801346-HM801310
Cone/Cup (outer)	HM89443-HM89410
1968-1961	1800: std. axle	
Cone/Cup (inner)	31593-31520
Cone/Cup (outer)	02474-02420
1968-1961	1800: H/D axle	
Cone/Cup (inner)	HM801346-HM801310
Cone/Cup (outer)	HM89443-HM89410
1966-1962	1600	
Cone/Cup (outer)	31593-31520
1966-1961	1500: production thru 11/66	
Cone/Cup (inner)	31593-31520
Cone/Cup (outer)	02474-02420
1966-1961	2300: production thru 11/66	
Cone/Cup (inner)	31593-31520
Cone/Cup (outer)	02474-02420
1966-1954	600	
Bearing	205BB
1963-1953	1400	
Cone/Cup (inner)	31593-31520
Cone/Cup (outer)	02872-02820
1963-1953	1900	
Cone/Cup (inner)	31593-31520
Cone/Cup (outer)	02872-02820

CLUTCH

Release Bearing

1989-1988	Tipò	
Bearing Only	FI1710C
1989-1987	Duna	
Bearing Only	FI1710C
1989-1986	Croma	
Bearing Only	FI1710C
1989-1984	Regata	
Bearing Only	FI1710C
1989-1978	Super 85	
Bearing Only	FI1710C
1988-1982	Bertone X1/9	
Bearing Only	FI1710C
1988-1978	Ritmo	
Bearing Only	FI1710C
1988-1973	X1/9	
Bearing Only	FI1710C
1985-1974	Spider 2000, Turbo	
Bearing Only	FI1709C
1985-1974	2000	
Bearing Only	FI1709C
1984-1964	850: Coupe, Special, Spyder, Super	
Bearing Only	FI1708C
1982-1979	Brava	
Bearing Only	FI1709C
1982-1978	Strada	
Bearing Only	FI1710C
1982-1978	138	
Bearing Only	FI1710C
1982-1975	131	
Bearing Only	FI1709C
1979-1969	128	
Bearing Only	FI1710C
1978-1974	124 Sport: 1800 cc	
Bearing Only	CB2030C
1974-1970	124 Special	
Bearing Only	FI1709C
1974-1970	124 Sedan, Wagon	
Bearing Only	FI1709C
1974-1967	124 Sport: 1400 cc: diaphragm clutch	
Bearing Only	FI1709C
1974-1967	124 Sport: 1400 cc: 3-finger clutch	
Bearing Only	CB2030C
1974-1960	500: D, L	
Bearing Only	FI1708C
1973-1967	124 Sport: 1600 cc	
Bearing Only	FI1709C

ALTERNATOR

1983-1979	Bosch 55 amp	
Bearing (drive end)	303S
1983-1979	Bosch 60 amp	
Bearing (drive end)	303S
1980-1967	Marelli 42, 44, 45 amp	
Bearing (drive end)	302SS
Bearing (rear end)	201SS
1980-1967	Marelli 55 amp	
Bearing (drive end)	302SS
Bearing (rear end)	201SS

Mfg./Year Model & Location Part No Mfg./Year Model & Location Part No

FIAT (cont.)

ALTERNATOR (cont.)

1980-1967	Marelli 60, 65 amp	
	Bearing (drive end)	302SS
	Bearing (rear end)	201SS
1979-1971	Marelli	
	Bearing (drive end)	203SS
	Bearing (rear end)	201SS
1978-1971	Bosch	
	Bearing (drive end)	203S

GENERATOR (cont.)

1967-1959	D-115/12/28-4-B	
	Bearing (drive end)	302AG

GENERATOR

1971	all	
	Bearing (rear end)	200S
1968-1966	R-90-180/12/2500	
	Bearing (drive end)	200S

FLXIBLE

CLUTCH

Release Bearing

1967-1964	2363DD1	
	Bearing Only	2756T
1965-1960	2362DD1	
	Bearing Only	2756T
1965-1960	2183DD1, 2183WA1	
	Bearing Only	2756T
1965-1957	218GM1, 218WA1	
	Bearing Only	2756T
1961-1958	236DD1	
	Bearing Only	2756T

FORD - FRONT DRIVE - Escort, EXP

FRONT WHEEL

1989-1983	from 2/83	
	Set	SET39
	Hub Assy	518503[2] ⁶²
1983-1981	production thru 2/1983	
	Seal	3723[2]
	Set	SET24[2]

REAR WHEEL

1989-1984		
	Seal (inner)	473677[2]
	Set (inner)	SET8
	Set (outer)	SET12
1983-1981		
	Seal (inner)	473677[2]
	Set (inner)	SET8
	Set (outer)	SET1

CLUTCH

Pilot Bearing

1989	1.8 DOHC Mazda engine: GT model	
	Bearing	202SS

CLUTCH

Release Bearing

1989		
	Bearing Assy	614060
	Bearing Assy Opt: bearing and sleeve kit	614118
1988	non-centrifugal pressure plate	
	Bearing Assy	614021
1988	centrifugal pressure plate	
	Bearing Assy	614060
	Bearing Assy Opt: bearing and sleeve kit	614118
1987-1984		
	Bearing Assy	614021
1983	exc. RGT-AC, RGT-AG trans	
	Bearing Assy	614021
1983	RGT-AC, RGT-AG trans	
	Bearing Assy	614020
1982-1981		
	Bearing Assy	614020

[] Indicates Quantity Required; Set Components Listed Inside Rear Cover;

⁶² Kit incl: Hub & Bearing, Seal, Mounting Bolts

Bearings and Seals

Mfg./Year Model & Location Part No Mfg./Year Model & Location Part No

FORD - FRONT DRIVE - Escort, EXP (cont.)

3-SPEED AUTOMATIC TRANSAXLE

Torque Converter

1989-1981
 Seal 4539H
 Kwik Slv (Opt Rpr) KWK99235

Output Shaft

1989-1981
 Seal 3622S[2]
 Kwik Slv (Opt Rpr) KWK99169[2]

Differential

1989-1984
 Bearing 208[2]
1983-1981
 Set SET45[2]

Selector Shaft Seal/Man. Shaft

1989-1981
 Seal 342517
 Kwik Slv (Opt Rpr) KWK99101

4-SPEED MANUAL TRANSAXLE

Differential

1989-1982 MTX-II: 2 pinion
 Set SET45[2]

Input Shaft

1989-1985 MTX-II: 2nd design
 Seal 3638
 Cone/Cup LM67049A-LM67010[2]
 Kwik Slv (Opt Rpr) KWK99112[2]
1985 MTX-II: 1st design
 Seal 710053
 Set SET30
1984-1981 MTX-II
 Seal 710053
 Set SET24

Output Shaft

1989-1982 MTX-II
 Seal 3622S[2]
 Set SET30[2]
 Kwik Slv (Opt Rpr) KWK99169[2]

Selector Shaft Seal/Man. Shaft

1989-1982 MTX-II
 Seal Viton 710274

5-SPEED MANUAL TRANSAXLE

Differential

1989-1984 MTX-III: 2 pinion
 Set SET45[2]

5-SPEED MANUAL TRANSAXLE

Input Shaft

1989-1984 MTX-III
 Seal 3638
 Cone/Cup LM67049A-LM67010[2]
 Kwik Slv (Opt Rpr) KWK99112[2]

Countershaft

1989-1984 MTX-III
 Set SET16[2]

Output Shaft

1989-1984 MTX-III
 Seal 3622S[2]
 Set SET30[2]
 Kwik Slv (Opt Rpr) KWK99169[2]

Selector Shaft Seal/Man. Shaft

1989-1984 MTX-III
 Seal Viton 710274

CAMSHAFT SEAL

4 Cylinder

1989-1985 119/1.9L
 Seal 3774S
 Kwik Slv (Opt Rpr) KWK99169
1987-1984 122/2.0L diesel
 Seal 223420
1985-1981 98/1.6L
 Seal 3774S
 Kwik Slv (Opt Rpr) KWK99169

CRANKSHAFT REAR SEAL

4 Cylinder

1989-1985 119/1.9L
 Seal 3772
 Seal PTFE H/D Opt. 5287
1987-1984 122/2.0L diesel
 Seal 229010
 Kwik Slv (Opt Rpr) KWK99354
1985-1981 98/1.6L
 Seal 3772
 Seal PTFE H/D Opt. 5287

TIMING COVER

4 Cylinder

1989-1985 119/1.9L
 Seal 3771
 Kwik Slv (Opt Rpr) KWK99139
1987-1984 122/2.0L diesel
 Seal 223012
 Kwik Slv (Opt Rpr) KWK99114
1985-1981 98/1.6L
 Seal 3771
 Kwik Slv (Opt Rpr) KWK99139

FORD - FRONT DRIVE - Probe

FRONT WHEEL

1989
 Seal 1932S[2]
 Bearing Assy 513057[2]

REAR WHEEL

1989
 Seal 224235[2]
 Bearing Assy 513055[2]

CLUTCH

Pilot Bearing

1989
 Bearing 202SS

Release Bearing

1989 4-cylinder: 2.2
 Bearing Assy 614067
 1989 4-cylinder: 2.2 turbo
 Bearing Assy 614079

3-SPEED AUTOMATIC TRANSAXLE

Torque Converter

1989
 Seal 4539H
 Kwik Slv (Opt Rpr) KWK99235

Output Shaft

1989
 Seal 3622S[2]
 Kwik Slv (Opt Rpr) KWK99169[2]

Differential

1989
 Bearing 208[2]

Selector Shaft Seal/Man. Shaft

1989
 Seal 342517
 Kwik Slv (Opt Rpr) KWK99101

4-SPEED AUTOMATIC TRANSAXLE

Differential

1989 AX4, AXOD
 Bearing 208[2]

Torque Converter

1989 AX4, AXOD
 Seal 4189H

4-SPEED AUTOMATIC TRANSAXLE

Output Shaft

1989 AX4, AXOD
 Seal 3622S[2]
 Kwik Slv (Opt Rpr) KWK99169[2]

4-SPEED MANUAL TRANSAXLE

Differential

1989 MTX-II: 2 pinion
 Set SET45[2]

Input Shaft

1989 MTX-II: 2nd design
 Seal 3638
 Cone/Cup LM67049A-LM67010[2]
 Kwik Slv (Opt Rpr) KWK99112

Output Shaft

1989 MTX-II
 Seal 3622S[2]
 Set SET30[2]
 Kwik Slv (Opt Rpr) KWK99169[2]

Selector Shaft Seal/Man. Shaft

1989 MTX-II
 Seal Viton 710274

5-SPEED MANUAL TRANSAXLE

Differential

1989 Mazda G5M, G5Y
 Bearing Assy 32008XM[2]

Input Shaft

1989 Mazda G5M, G5Y
 Seal (outer) 1990
 Set (outer) SET32
 Kwik Slv (Opt Rpr) KWK99106

Output Shaft

1989 Mazda G5M, G5Y
 Seal (LH) 223543
 Kwik Slv (Opt Rpr) (LH) KWK99139
 Seal (RH) 2007N
 Kwik Slv (Opt Rpr) (RH) KWK99139

Selector Shaft Seal/Man. Shaft

1989 Mazda G5M, G5Y
 Seal 221620

CAMSHAFT SEAL

4 Cylinder

1989 133/2.2L gas
 Seal 223420

Bearings and Seals

Mfg./Year Model & Location Part No Mfg./Year Model & Location Part No

FORD - FRONT DRIVE - Probe (cont.)

CRANKSHAFT REAR SEAL

4 Cylinder

1989 133/2.2L gas
 Seal 229010
 Kwik Slv (Opt Rpr)KWK99354

TIMING COVER

4 Cylinder

1989 133/2.2L gas
 Seal 223420
 Kwik Slv (Opt Rpr)KWK99134

FORD - FRONT DRIVE - Taurus

FRONT WHEEL

1989-1986 thru 1/1991
 Bearing Assy 513058[2]³¹
 Set SET49⁵⁵
 Hub Assy Opt. 520000[2]

REAR WHEEL

1989-1986
 Seal (inner) 6815[2]
 Set (inner) SET6
 Set (outer) SET12

CLUTCH

Pilot Bearing

1989
 Bearing 202SS

Release Bearing

1989 3.0 DOHC 6-cylinder: SHO
 Bearing Assy 614060
 Bearing Assy Opt:
 bearing and sleeve kit 614118
 1989 2.5 4-cylinder
 Bearing Assy 614060
 Bearing Assy Opt:
 bearing and sleeve kit 614118
 1989 3.0 6-cylinder
 Bearing Assy 614079
 1988 2.5 4-cylinder: non-centrifugal
 pressure plate
 Bearing Assy 614021
 1988 2.5 4-cylinder: centrifugal
 pressure plate
 Bearing Assy 614060
 Bearing Assy Opt:
 bearing and sleeve kit 614118
 1988 3.0 6-cylinder: non-centrifugal
 pressure plate
 Bearing Assy 614021
 1988 3.0 6-cylinder: centrifugal
 pressure plate
 Bearing Assy 614060
 Bearing Assy Opt:
 bearing and sleeve kit 614118
 1987-1986 2.5 4-cylinder
 Bearing Assy 614021
 1987-1986 3.0 6-cylinder
 Bearing Assy 614021

3-SPEED AUTOMATIC TRANSAXLE

Torque Converter

1989-1986
 Seal 4539H
 Kwik Slv (Opt Rpr)KWK99235

Output Shaft

1989-1986
 Seal 3622S[2]
 Kwik Slv (Opt Rpr)KWK99169[2]

Differential

1989-1986
 Bearing 208[2]

Selector Shaft Seal/Man. Shaft

1989-1986
 Seal 342517
 Kwik Slv (Opt Rpr)KWK99101

4-SPEED AUTOMATIC TRANSAXLE

Differential

1989-1986 AX4, AXOD
 Bearing 208[2]

Torque Converter

1989-1986 AX4, AXOD
 Seal 4189H

Output Shaft

1989-1986 AX4, AXOD
 Seal 3622S[2]
 Kwik Slv (Opt Rpr)KWK99169[2]

4-SPEED MANUAL TRANSAXLE

Differential

1989-1986 MTX-II: 2 pinion
 Set SET45[2]

Input Shaft

1989-1986 MTX-II
 Seal 3638
 Cone/Cup LM67049A-LM67010[2]
 Kwik Slv (Opt Rpr) KWK99112[2]

220 [] Indicates Quantity Required; Set Components Listed Inside Rear Cover;

³¹ When depleted use number listed directly below ⁵⁵ Opt. Replacement If 513058 Is Unavailable

FORD - FRONT DRIVE - Taurus (cont.)

4-SPEED MANUAL TRANSAXLE

Output Shaft

1989-1986	MTX-II	
Seal		3622S[2]
Set		SET30[2]
Kwik Slv (Opt Rpr)		KWK99169[2]

Selector Shaft Seal/Man. Shaft

1989-1986	MTX-II	
Seal Viton		710274

5-SPEED MANUAL TRANSAXLE

Differential

1989-1986	MTX-III	
Set		SET45[2]

Input Shaft

1989-1986	MTX-III	
Seal		3638
Cone/Cup		LM67049A-LM67010[2]
Kwik Slv (Opt Rpr)		KWK99112

Countershaft

1989-1986	MTX-III	
Set		SET16[2]

Output Shaft

1989-1986	MTX-III	
Seal		3622S[2]
Set		SET30[2]
Kwik Slv (Opt Rpr)		KWK99169[2]

Selector Shaft Seal/Man. Shaft

1989-1986	MTX-III	
Seal Viton		710274

CAMSHAFT SEAL

6 Cylinder

1989	182/3.0L DOHC	
Seal		1213N[4]
Kwik Slv (Opt Rpr)		KWK99157[4]

CRANKSHAFT REAR SEAL

4 Cylinder

1989-1986	153/2.5L	
Seal		3772
Seal PTFE H/D Opt.		5287

6 Cylinder

1989-1986	182/3.0L OHV	
Seal		3772
Seal PTFE H/D Opt.		5287
1989	182/3.0L DOHC	
Seal		710219
Kwik Slv (Opt Rpr)		KWK99351
1989-1988	232/3.8L	
Seal Viton		3909
Seal PTFE H/D Opt.		5277
Kwik Slv (Opt Rpr)		KWK99363

TIMING COVER

4 Cylinder

1989-1986	153/2.5L	
Seal		714075
Kwik Slv (Opt Rpr)		KWK99177

6 Cylinder

1989-1986	182/3.0L OHV	
Seal (front entry)		2692
Seal (rear entry)		2942
Kwik Slv (Opt Rpr)		KWK99187
1989	182/3.0L DOHC	
Seal		710220
1989-1988	232/3.8L	
Seal		2692

FORD - FRONT DRIVE, AWD - Tempo

FRONT WHEEL

1989-1983	production from 2/1983 on	
Set		SET39
Hub Assy Opt: complete bearing and hub kit		518503[2] ⁶²

REAR WHEEL

1989-1984	exc. AWD	
Seal (inner)		473677[2]
Set (inner)		SET8
Set (outer)		SET12

REAR WHEEL (cont.)

1989-1987	AWD	
Bearing Assy		513001[2]

TRANSFER CASE

Input Shaft

1989-1987	Input Shaft	
Set		SET2[2]
Bearing (pilot)		206WB

[] Indicates Quantity Required; Set Components Listed Inside Rear Cover;

⁶² Kit incl: Hub & Bearing, Seal, Mounting Bolts

Bearings and Seals

Mfg./Year Model & Location Part No Mfg./Year Model & Location Part No

FORD - FRONT DRIVE, AWD - Tempo (cont.)

TRANSFER CASE

Front Output Shaft

1989-1987 Front output shaft
Cone/Cup M86647-M86610

Rear Output Shaft

1989-1987 Rear output shaft
Cone/Cup M86649-M86610
Needle Bearing (pilot) SCH78

CLUTCH

Release Bearing

1989 all
Bearing Assy 614060
Bearing Assy Opt:
bearing and sleeve kit 614118
1988 non-centrifugal pressure plate
Bearing Assy 614021
1988 centrifugal pressure plate
Bearing Assy 614060
Bearing Assy Opt:
bearing and sleeve kit 614118
1987-1984
Bearing Assy 614021

5-SPEED MANUAL TRANSMISSION

Countershaft

1989-1984 MTX-III
Set SET16[2]

3-SPEED AUTOMATIC TRANSAXLE

Torque Converter

1989-1984 ATX
Seal 4539H
Kwik Slv (Opt Rpr) KWK99235

Output Shaft

1989-1984
Seal 3622S[2]
[2]
Kwik Slv (Opt Rpr) KWK99169[2]

Differential

1989-1984
Bearing 208[2]

Selector Shaft Seal/Man. Shaft

1989-1984
Seal 342517
Kwik Slv (Opt Rpr) KWK99101

4-SPEED AUTOMATIC TRANSAXLE

Differential

1989 4EAT-G
Bearing Assy 32008XM[2]
1989-1986 AX4, AXOD
Bearing 208[2]
1989 4HAT-G
Bearing Assy 32009XM[2]

Torque Converter

1989 4EAT-G, 4HAT-G
Seal 710446
1989-1986 AX4, AXOD
Seal 4189H

Output Shaft

1989 4EAT-G, 4HAT-G
Seal (LH) 223543
Kwik Slv (Opt Rpr) (LH) KWK99139
Seal (RH) 2007N
Kwik Slv (Opt Rpr) (RH) KWK99139
1989-1986 AX4, AXOD
Seal 3622S[2]
[2]
Kwik Slv (Opt Rpr) KWK99169
[2]

4-SPEED MANUAL TRANSAXLE

Differential

1989-1984 MTX-II: 2 pinion
Set SET45[2]
1989-1984 MTX-II: 4 pinion
Set SET37[2]

Input Shaft

1989-1985 MTX-II: 2nd design
Seal 3638
Cone/Cup LM67049A-LM67010
Kwik Slv (Opt Rpr) KWK99112
1985-1984 MTX-II: 1st design
Seal 710053
Set SET30

Output Shaft

1989-1984
Seal (LH) 3622S[2]
Set (LH) SET30[2]
Kwik Slv (Opt Rpr) KWK99169[2]

Selector Shaft Seal/Man. Shaft

1989-1984
Seal Viton 710274

5-SPEED MANUAL TRANSAXLE

Differential

1989-1984 MTX-III: RWB: 2 pinion
Set SET45
1989-1984 MTX-III: RWB: 4 pinion
Set SET37

FORD - FRONT DRIVE, AWD - Tempo (cont.)

5-SPEED MANUAL TRANSAXLE

Input Shaft

1989-1984	MTX-III	
Seal	3638
Cone/Cup	LM67049A-LM67010
Kwik Slv (Opt Rpr)	KWK99112

Output Shaft

1989-1984	MTX-III	
Seal	3622S[2]
Set	SET30[2]
Kwik Slv (Opt Rpr)	KWK99169[2]

Selector Shaft Seal/Man. Shaft

1989-1984	MTX-III	
Seal Viton	710274

CAMSHAFT SEAL

4 Cylinder

1986-1984	1998/2.0L Diesel	
Seal	223420

CRANKSHAFT REAR SEAL

4 Cylinder

1989-1984	140/2.3L	
Seal	3772
Seal PTFE H/D Opt.	5287
1986-1984	1998cc/2.0L Diesel	
Seal	229010
Kwik Slv (Opt Rpr)	KWK99354

TIMING COVER

4 Cylinder

1989-1984	140/2.3L	
Seal	714075
Kwik Slv (Opt Rpr)	KWK99177
1986-1984	1998cc/2.0L Diesel	
Seal	223012
Kwik Slv (Opt Rpr)	KWK99114

FORD - REAR DRIVE - Brougham, Country Sedan, Country Squire, Crown Victoria, Custom, Edsel, Galaxie, LTD, Parklane, Ranch Wagon, Squire, Skyliner, XL

FRONT WHEEL

1989-1974		
Seal (inner)	6815[2]
Set (inner)	SET11
Set (outer)	SET12
1986-1983	LTD	
Seal (inner)	6815[2]
Set (inner)	SET17
Set (outer)	SET12
1973-1970		
Seal (inner)	6815[2]
Set (inner)	SET13
Set (outer)	SET12
1969-1968		
Seal (inner)	6815[2]
Set (inner)	SET6
Set (outer)	SET2
1967-1966	disc brakes	
Seal (inner)	9150S[2]
Set (inner)	SET5
Set (outer)	SET3
1967-1966	drum brakes	
Seal (inner)	6815[2]
Set (inner)	SET6
Set (outer)	SET2
1966-1963	Taxi	
Set (inner)	SET6
Set (outer)	SET2
1965-1955	exc. Taxi	
Seal (inner)	6815[2]
Set (inner)	SET6
Set (outer)	SET2

FRONT WHEEL (cont.)

1954-1949		
Cone/Cup (inner)	15123-15245[2]
Cone/Cup (outer)	09067-09195[2]

REAR WHEEL

1989-1980	7.5", 8.5", 8.8" ring gears	
Seal	8660S[2]
Cyl. Bearing	5707[2]
Kit	TRP1563TAV[2] ¹⁹
1979-1974	Heavy Duty axles exc. WER	
Seal	3195[2]
Set	SET20
1979-1967	WER axle	
Seal	8660S[2]
Cyl. Bearing	5707[2]
Kit	TRP1563TAV[2] ¹⁹
1978-1977	axles exc. WER, Heavy Duty	
Seal	51098[2]
Bearing	514003P[2]
1978-1977	9" ring gear	
Seal	51098[2]
Bearing	514003P[2]
1972-1967	WDC, WDL, WDT, WFG axles	
Seal	51098[2]
Bearing	514003P[2]
1967	WDC-CB axle	
Seal	6939[2]
Bearing	RW207CCRA[2]
1966-1961	8-cylinder: 390, 406, 427, Special Duty	
Seal	51098[2]
Bearing	514003P[2]

[] Indicates Quantity Required; Set Components Listed Inside Rear Cover;
¹⁹ Opt. Axle Repair Bearing. Replaces O.E. bearing & seal.

Bearings and Seals

Mfg./Year Model & Location Part No Mfg./Year Model & Location Part No

FORD - REAR DRIVE - Brougham, Country Sedan, Country Squire, Crown Victoria, Custom, Edsel, Galaxie, LTD, Parklane, Ranch Wagon, Squire, Skyliner, XL (cont.)

REAR WHEEL (cont.)

1966-1957	exc. Ranchero, Sedan Delivery, Station Wagon	
Seal	6939[2]
Bearing	RW207CCRA[2]
1966-1957	Retractable, Ranchero	
Seal	6939[2]
Bearing	RW207CCRA[2]
1966-1957	Sedan Delivery, Station Wagon	
Seal	6939[2]
Bearing	RW207CCRA[2]
1960-1959	Edsel Station Wagon	
Seal	51098[2]
Bearing	514003P[2]
1960-1959	Edsel Sedan	
Seal	6939[2]
Bearing	RW207CCRA[2]
1958	Edsel	
Seal	450067[2]
Bearing	514003P[2]
Bearing (inner)	514003P[2]
1956-1949	exc. Station Wagon and Sedan Delivery	
Bearing	88107AR[2]
1956-1949	Station Wagon, Sedan Delivery	
Seal	51098[2]
Bearing	514003P[2]
Bearing (inner)	514003P[2]

CLUTCH RELEASE

3-Finger Clutches

1971-1957	10" and 10.4"	
Bearing Assy	614034

Diaphragm Clutches

1971-1970	exc. 427, 428, 429 engines	
Bearing Assy	614038
1971-1964	427, 428, 429 engines	
Bearing Only	FA2065C
1969-1957	exc. H/D clutch, 427, 428, 429 engines	
Bearing Assy	614038
1969-1957	H/D clutch: exc. 427, 428, 429 engines	
Bearing Only	F1625C

REAR AXLE

Differential Rebuild Kit

1989-1985	8.8" ring gear	
Kit	DRK311
1989-1971	8.5" ring gear	
Kit	DRK311
1981-1980	7.5" ring gear	
Kit	DRK315
1979-1970	9" ring gear: production from 5/11/1970 on	
Kit	DRK313
1970-1957	9" ring gear: production thru 5/10/1970	
Kit	DRK312

Differential

1989	8.8" ring gear	
Seal Viton	714569[2]
Set	SET36[2]
1988-1979	7.5" ring gear	
Cone/Cup	LM501349-LM501314[2]
1988-1979	8.5" ring gear	
Set	SET36[2]
1988-1979	8.8" ring gear	
Set	SET36[2]
1978-1970	8.7" ring gear: WDC, WDL, WFG, WFH axles	
Set	SET47[2]
1978-1970	9" ring gear	
Set	SET47[2]
1978-1969	8.7" ring gear: WER axle	
Set	SET47[2]
1970-1967	9.375" ring gear: WDR, WFH axles	
Cone/Cup	25590-25520[2]
1970-1967	9" ring gear: 1.78125" H/D axle shaft: thru 5/1970	
Set	SET37[2]
1970-1967	9" ring gear: 1.625" axle shaft: thru 5/1970	
Set	SET45[2]
1970-1967	8.5" ring gear: 1.625" axle shaft: thru 5/1970	
Set	SET45[2]
1966	exc. 9.375" ring gear, 406, 427 engines	
Set	SET45[2]
1966	406, 427 engines exc. 9.375" ring gear	
Set	SET37[2]
1966	9.375" ring gear: WDR, WFH axles	
Cone/Cup	25590-25520[2]
1965-1964	Heavy Duty: 406, 427 engines	
Set	SET37[2]
1965-1964	exc. H/D 406, 427 engines	
Set	SET45[2]
1963-1961	390, 406, 427 engines	
Set	SET37[2]
1963-1959	exc. 390, 406, 427 engines	
Set	SET45[2]
1958	Custom, Fairlane with 6-cylinder engine	
Set	SET45[2]
1958-1957	exc. Custom, Fairlane	
Set	SET37[2]
1957	Custom, Fairlane 500 with 272 engine	
Set	SET45[2]
1956	exc. Station Wagon and Sedan Delivery	
Cone/Cup	26882-26822[2]
1956	Station Wagon, Sedan Delivery	
Cone/Cup	25577-25533[2]

FORD - REAR DRIVE - Brougham, Country Sedan, Country Squire, Crown Victoria, Custom, Edsel, Galaxie, LTD, Parklane, Ranch Wagon, Squire, Skyliner, XL (cont.)

REAR AXLE (cont.)

Differential (cont.)

1955-1949 Station Wagon, Sedan Delivery
Cone/Cup 25577-25533[2]

Pinion

1989-1979 8.5" ring gear
Cone/Cup (inner) M802048-M802011
Seal Viton (outer) 3604
Cone/Cup (outer) M88048-M88010

1989-1979 8.8" ring gear
Cone/Cup (inner) M802048-M802011
Seal Viton (outer) 3604
Cone/Cup (outer) M88048-M88010

1988-1979 7.5" ring gear
Cone/Cup (inner) M802048-M802011
Seal Viton (outer) 3604
Cone/Cup (outer) M88048-M88010

1982-1979 6.75" ring gear
Cone/Cup (inner) HM88648-HM88610
Seal (outer) 3618
Cone/Cup (outer) M86649-M86610

1980 9" ring gear
Cone/Cup (inner) M88048-M88010
Seal (outer) 3700
Cone/Cup (outer) M88048-M88010
Cyl. Bearing (pilot) R1535TAV

1980-1979 8" ring gear
Cone/Cup (inner) M86649-M86610
Seal (outer) 3618
Cone/Cup (outer) M86649-M86610
Cyl. Bearing (pilot) R1558TAV

1979-1967 9" ring gear
Cone/Cup (inner) M88048-M88010
Seal (outer) 7044NA
Cone/Cup (outer) M88048-M88010
Cyl. Bearing (pilot) R1535TAV

1978 7.5" ring gear
Cone/Cup (inner) M802048-M802011
Seal (outer) 9190N
Cone/Cup (outer) M88048-M88010

1978-1975 8" ring gear
Cone/Cup (inner) M86649-M86610
Seal (outer) 8181NA
Cone/Cup (outer) M86649-M86610
Cyl. Bearing (pilot) R1558TAV

1978-1967 8.5" ring gear
Cone/Cup (inner) M802048-M802011
Seal (outer) 9190N
Cone/Cup (outer) M88048-M88010

1978-1967 8.7" ring gear
Cone/Cup (inner) M802048-M802011
Seal (outer) 9190N
Cone/Cup (outer) M88048-M88010

1973-1964 9" ring gear: Heavy Duty
Cone/Cup (inner) HM89443-HM89410
Seal (outer) 7044NA
Cone/Cup (outer) M88048-M88010
Cyl. Bearing (pilot) R1535TAV

REAR AXLE (cont.)

Pinion (cont.)

1972-1966 9.375" ring gear
Cone/Cup (inner) HM89444-HM89410
Seal (outer) 7044NA
Cone/Cup (outer) M88048-M88010
Cyl. Bearing (pilot) M5204TV

1966-1964 engines smaller than 390: from 4/1964 on
Cone/Cup (inner) M88048-M88010
Seal (outer) 7044NA
Cone/Cup (outer) M88048-M88010
Cyl. Bearing (pilot) R1535TAV

1966-1964 engines 390 and larger: from 4/1964 on
Cone/Cup (inner) M88048-M88010
Seal (outer) 7044NA
Cone/Cup (outer) M88048-M88010
Cyl. Bearing (pilot) R1535TAV

1963 all
Cone/Cup (inner) M88048-M88010
Seal (outer) 7044NA
Cone/Cup (outer) M88048-M88010
Cyl. Bearing (pilot) R1535TAV

1962-1958 with 3" OD seal
Cone/Cup (inner) M88048-M88010
Seal (outer) 7044NA
Cone/Cup (outer) M88048-M88010
Cyl. Bearing (pilot) R1535TAV

1958-1957 with 4.125" OD seal
Cone/Cup (inner) M88048-M88010
Seal (outer) 6930
Cone/Cup (outer) M88048-M88010
Cyl. Bearing (pilot) R1535TAV

1956-1955 all
Cone/Cup (inner) HM89449-HM89410
Cone/Cup (outer) HM88542-HM88510

1956-1949 Sedan Delivery, Wagon
Cone/Cup (inner) 31594-31520
Seal (outer) 5778
Cone/Cup (outer) 02872-02820

AUTOMATIC TRANSMISSION

Torque Converter

1965-1963 Ford-o-Matic: 2-speed
Seal 331107N
Kwik Slv (Opt Rpr) KWK99199

Rear Seal/Ext. Housing

1965-1963 Ford-o-Matic: 2-speed with 1.5" shaft
Seal 7692S
Seal Kit 5202⁶⁴

[] Indicates Quantity Required; Set Components Listed Inside Rear Cover;

⁶⁴ Opt. Seal and Bushing Kit

Bearings and Seals

Mfg./Year Model & Location Part No Mfg./Year Model & Location Part No

FORD - REAR DRIVE - Brougham, Country Sedan, Country Squire, Crown Victoria, Custom, Edsel, Galaxie, LTD, Parklane, Ranch Wagon, Squire, Skyliner, XL (cont.)

3-SPEED AUTOMATIC TRANSMISSION

Torque Converter

1982-1980	C4, C6	
Seal		331107N
Kwik Slv (Opt Rpr)		KWK99199
1979-1968	C4, C6, MX	
Seal		331107N
Kwik Slv (Opt Rpr)		KWK99199
1979-1965	Cruise-o-Matic	
Seal		331107N
Kwik Slv (Opt Rpr)		KWK99199
1978-1971	Ford-o-Matic	
Seal		6988H
Kwik Slv (Opt Rpr)		KWK99193
1967-1963	FX, MX	
Seal		6988H
Kwik Slv (Opt Rpr)		KWK99193
1967-1963	C4, C6	
Seal		331107N
Kwik Slv (Opt Rpr)		KWK99199
1963-1951	Ford-o-Matic	
Seal		6988H
Kwik Slv (Opt Rpr)		KWK99193

Rear Seal/Ext. Housing

1982-1963	C4	
Seal		7692S
Seal Kit		5202 ⁶⁴
1980-1966	C6	
Seal		7300S
Seal Kit		5203 ⁶⁴
1979-1965	Cruise-o-Matic	
Seal		7300S
Seal Kit		5203 ⁶⁴
1978-1951	Ford-o-Matic	
Seal		7692S
Seal Kit		5202 ⁶⁴
1968-1963	MX, FX	
Seal		473234

Selector Shaft Seal/Man. Shaft

1982-1963	C4	
Seal		240816
Kwik Slv (Opt Rpr)		KWK99076
1982-1951	exc. C4	
Seal		7929S

4-SPEED AUTOMATIC TRANSMISSION

Torque Converter

1989-1981	AOT (AOD)	
Seal		331107N
Kwik Slv (Opt Rpr)		KWK99199

4-SPEED AUTOMATIC TRANSMISSION

Rear Seal/Ext. Housing

1989-1981	AOT (AOD): long boot	
Seal		7692S
Seal Kit		5202 ⁶⁴
1989-1981	AOT (AOD): short boot	
Seal		7692S
Seal Kit		5202 ⁶⁴

Selector Shaft Seal/Man. Shaft

1989-1981		
Seal		7929S

CLUTCH

Pilot Bearing

1974-1973	thru 5/1974	
Needle Bearing		FC65662
1968-1960	352, 390, 406, 427 engines	
Bearing		303S
1968-1958	233, 240, 292 engines	
Bearing		203S
1957-1946	all	
Bearing		203S

Release Bearing

1956-1952	all	
Bearing Assy		614038
1951-1949	all	
Bearing Only		1625C
1948-1941	all	
Bearing Only		2065C

3-SPEED MANUAL TRANSMISSION

Front Input Shaft

1972-1963	Tremec 150, 160, 162	
Seal		3638
Bearing		208LO
Kwik Slv (Opt Rpr)		KWK99112
1967-1962	Warner T86	
Seal		450326
Bearing		207L
Kwik Slv (Opt Rpr)		KWK99149
1966-1954	Warner T85	
Seal		482208
Bearing		307L
Kwik Slv (Opt Rpr)		KWK99112
1964-1951	Warner T86	
Seal		450326
Bearing		207L
Kwik Slv (Opt Rpr)		KWK99149
1962-1955	Ford L/D	
Seal		482208
Bearing		208SL
Kwik Slv (Opt Rpr)		KWK99112

FORD - REAR DRIVE - Brougham, Country Sedan, Country Squire, Crown Victoria, Custom, Edsel, Galaxie, LTD, Parklane, Ranch Wagon, Squire, Skyliner, XL (cont.)

3-SPEED MANUAL TRANSMISSION

Rear Output Shaft

1972-1963	Tremec 150, 160, 162	
Seal		7692S
Bearing		207L
Seal Kit		5202 ⁶⁴
1967-1951	Warner T86	
Seal		470059
Bearing		207L
Seal Kit		5201 ⁶⁴
1966-1954	Warner T85	
Seal		470059
Bearing		307L
Seal Kit		5201 ⁶⁴
1962-1955	Ford L/D	
Seal		470059
Bearing		208SL
Seal Kit		5201 ⁶⁴

Selector Shaft Seal/Man. Shaft

1967-1951	Warner T85, T86	
Seal		340797
Kwik Slv (Opt Rpr)		KWK99059

4-SPEED MANUAL TRANSMISSION

Input Shaft

1979	Tremec 170, 171, 174	
Seal		3638
Bearing		209L
Kwik Slv (Opt Rpr)		KWK99112
1978-1964	Tremec 170, 172	
Seal		482208
Bearing		209L
Kwik Slv (Opt Rpr)		KWK99112
1963-1962	Warner T10	
Seal		482208
Bearing		307L
Kwik Slv (Opt Rpr)		KWK99112

Rear Output Shaft

1979-1977	Tremec 170, 171, 174	
Seal		7692S
Bearing		307L4
Seal Kit		5202 ⁶⁴
1973-1964	Tremec 170: 31-spline, 1.690" shaft	
Seal		473234
Bearing		307L
1973-1964	Tremec 170: 28-spline, 1.5" shaft	
Seal		470059
Bearing		307L
Seal Kit		5201 ⁶⁴
1963-1962	Warner T10	
Seal		7692S
Bearing		307L
Seal Kit		5202 ⁶⁴

4-SPEED MANUAL TRANSMISSION

Selector Shaft Seal/Man. Shaft

1979-1964		
Seal		313156

A/C COMPRESSOR

1989-1987	Nippondenso 6E171 (axial)	
Bearing		5000KFF
1989-1983	Ford FS6 (axial)	
Bearing		5000KFF
1989-1980	Frigidaire A6 (axial drive compressor)	
Bearing		907257
1983-1980	Tecumseh; York; (axial)	
Bearing		5106WCC
1983-1980	Tecumseh; York; (axial)	
Bearing (rear)		203AB

ALTERNATOR

1989-1963	Motorcraft	
Bearing (rear end)		MNJ471S
1989-1960	Motorcraft	
Bearing (drive end)		203FF

POWER STEERING

Input Shaft

1989-1980		
Seal		471645
Needle Bearing		FC65753

Pump Shaft

1989-1980		
Seal		8773S

Worm Shaft

1989-1980		
Bearing		201CC

CRANKSHAFT REAR SEAL

6 Cylinder

1972-1965	240/3.9	
Seal Viton		2377
Kwik Slv (Opt Rpr)		KWK99372

8 Cylinder

1989-1984	281/4.6L, 302/5.0L	
Seal Viton		3909
Seal PTFE H/D Opt.		5277
Kwik Slv (Opt Rpr)		KWK99363
1989-1983	281/4.6L, 302/5.0L	
Seal Viton		3909
Seal PTFE H/D Opt.		5277
Kwik Slv (Opt Rpr)		KWK99363
1989-1984	351/5.8L (W)	
Seal Viton		2377
Seal PTFE H/D Opt.		5278
Kwik Slv (Opt Rpr)		KWK99372

[] Indicates Quantity Required; Set Components Listed Inside Rear Cover;

⁶⁴ Opt. Seal and Bushing Kit

Bearings and Seals

Mfg./Year Model & Location Part No Mfg./Year Model & Location Part No

FORD - REAR DRIVE - Brougham, Country Sedan, Country Squire, Crown Victoria, Custom, Edsel, Galaxie, LTD, Parklane, Ranch Wagon, Squire, Skyliner, XL (cont.)

CRANKSHAFT REAR SEAL (cont.)

8 Cylinder (cont.)

1989-1983	351/5.8L	
Seal Viton	2377
Seal PTFE H/D Opt.	5278
Kwik Slv (Opt Rpr)	KWK99372
1983	351/5.8L (W) To 7/10/83	
Seal Rope	5095
Seal Split Opt.	5108
1983	351/5.8L (W) From 7/10/83	
Seal Viton	2377
Seal PTFE H/D Opt.	5278
Kwik Slv (Opt Rpr)	KWK99372
1983	302/5.0L Thru 11/82	
Seal Rope	5095
Seal Split Opt.	5108
1983	302/5.0L From 11/82	
Seal Viton	3909
Seal PTFE H/D Opt.	5277
Kwik Slv (Opt Rpr)	KWK99363
1982-1963	260/4.3, 289/4.7, 302/5.0, 351/5.8 (C), 351/5.8 (W)	
Seal Rope	5095
Seal Split Opt.	5108
1978-1971	351/5.8 (M), 400/6.6	
Seal Rope	5095
Seal Split Opt.	5117
1978-1969	429/7.0, 460/7.5	
Seal Rope	5095
Seal Split Opt.	5118
1971-1962	352/5.8, 390/6.4, 406/6.6, 427/7.0, 428/7.0	
Seal Rope	5095
Seal Split Opt.	5112S

TIMING COVER

6 Cylinder

1972-1965	240/3.9	
Seal (front entry)	2692
Seal (rear entry)	2942
Kwik Slv (Opt Rpr)	KWK99187
Harmonic Balancer		
Sleeves	88187
1964-1963	223/3.6	
Seal	350936
Kwik Slv (Opt Rpr)	KWK99187
Harmonic Balancer		
Sleeves	88187

8 Cylinder

1989-1958	exc. 281/4.6, 292/4.8	
Seal (front entry)	2692
Seal (rear entry)	2942
Kwik Slv (Opt Rpr)	KWK99187
Harmonic Balancer		
Sleeves	88187
1962-1955	292/4.8L	
Seal	350936
Kwik Slv (Opt Rpr)	KWK99187
Harmonic Balancer		
Sleeves	88187

FORD - REAR DRIVE - Elite, Fairlane, LTD II, Torino, Ranchero

FRONT WHEEL

1979-1974	
Seal (inner) 6815[2]
Set (inner) SET11
Set (outer) SET12
1973-1970	
Seal (inner) 6815[2]
Set (inner) SET13
Set (outer) SET12
1969-1962	
Seal (inner) 6815[2]
Set (inner) SET6
Set (outer) SET2

REAR WHEEL

1979-1976	ball bearing: 9" ring gear
Seal 51098[2]
Bearing 88128RAP[2]
1979-1974	roller bearing: Heavy Duty axle
Seal 3195[2]
Set SET20

REAR WHEEL (cont.)

1975-1973	ball bearing
Seal 51098[2]
Bearing 514003P[2]
1972-1969	28-spline axle
Seal 9569S[2]
Bearing RW207CCRA[2]
1972-1969	31-spline axle
Seal 9363S[2]
Bearing RW207CCRA[2]
1968-1967	8-cylinder 427 engine
Seal 9363S[2]
Bearing RW207CCRA[2]
1968-1962	2.265" seal OD
Seal 9569S[2]
Bearing RW207CCRA[2]
1968-1962	2.379" seal OD
Seal 6939[2]
Bearing RW207CCRA[2]
1968-1962	2.565" seal OD
Seal 8168[2]
Bearing RW207CCRA[2]

FORD - REAR DRIVE - Elite, Fairlane, LTD II, Torino, Ranchero (cont.)

REAR WHEEL (cont.)

1964-1962 Heavy Duty
Bearing 514003P[2]

CLUTCH RELEASE

3-Finger Clutches

1977-1962 all
Bearing Assy 614034

Diaphragm Clutches

1985-1983 4-cylinder
Bearing Assy 614013
1979-1975 8-cylinder
Bearing Assy 614014
1974-1972 6-cylinder
Bearing Assy 614038
1974-1972 8-cylinder
Bearing Assy 614038
1971-1967 6-cylinder: 9" clutch
Bearing Assy 614038
1971-1967 8-cylinder: exc. 427, 428, 429
engines
Bearing Assy 614038
1971-1967 8-cylinder: 427, 428, 429 engines
Bearing Only FA2065C
1970-1967 6-cylinder: exc. 9" clutch
Bearing Only F1625C
1966-1962 6-cylinder: exc. H/D clutch
Bearing Only F1505C
1966-1962 6-cylinder: H/D clutch
Bearing Only F1625C
1966-1962 8-cylinder
Bearing Assy 614038

REAR AXLE

Differential Rebuild Kit

1979-1971 8.5" ring gear
Kit DRK311
1979-1970 9" ring gear: production from
5/11/1970 on
Kit DRK313
1976-1965 7.75" ring gear
Kit DRK310
1976-1965 8" ring gear
Kit DRK310
1970-1957 9" ring gear: production thru
5/10/1970
Kit DRK312

Differential

1986-1983 7.5" ring gear
Cone/Cup LM501349-LM501314[2]
1980-1975 8" ring gear
Set SET45[2]
1980-1970 9" ring gear: WEB, WEC, WFA,
WFC axles: from 5/1970 on
Set SET47[2]
1974-1967 7.75" ring gear: 8-cylinder 351
and smaller
Set SET45[2]

REAR AXLE (cont.)

Differential (cont.)

1974-1967 8" ring gear: 8-cylinder 351 and
smaller
Set SET45[2]
1970-1967 9" ring gear exc. 390, 427, 428
engines: thru 5/1970
Set SET45[2]
1970-1967 9" ring gear: 390, 406, 427, 428
engines: thru 5/1970
Set SET37[2]
1968-1967 6-cylinder engine with 7.25" ring
gear
Cone/Cup LM29749-LM29710[2]
1966-1962 all
Set SET45[2]

Pinion

1979-1966 9" ring gear: 28-spline axle shaft
Cone/Cup (inner) M88048-M88010
Seal (outer) 7044NA
Cone/Cup (outer) M88048-M88010
Cyl. Bearing (pilot) R1535TAV
1974-1966 7.75" ring gear
Cone/Cup (inner) M86649-M86610
Seal (outer) 8181NA
Cone/Cup (outer) M86649-M86610
Cyl. Bearing (pilot) R1558TAV
1974-1966 8" ring gear
Cone/Cup (inner) M86649-M86610
Seal (outer) 8181NA
Cone/Cup (outer) M86649-M86610
Cyl. Bearing (pilot) R1558TAV
1972-1968 8.75" ring gear: 31-spline axle
shaft
Cone/Cup (inner) HM89443-HM89410
Seal (outer) 7044NA
Cone/Cup (outer) M88048-M88010
Cyl. Bearing (pilot) R1535TAV
1968-1967 7.25" ring gear: WEZ axle
Cone/Cup (inner) HM89446-HM89410
Seal (outer) 8181NA
Cone/Cup (outer) M86649-M86610
1966-1962 6-cylinder
Cone/Cup (inner) HM89446-HM89410
Seal (outer) 8181NA
Cone/Cup (outer) M86649-M86610
1965-1963 289 with 4-bbl. carburetor
Cone/Cup (inner) M88048-M88010
Seal (outer) 7044NA
Cone/Cup (outer) M88048-M88010
Cyl. Bearing (pilot) R1535TAV
1965-1962 289 with 2-bbl. carburetor
Cone/Cup (inner) M86649-M86610
Seal (outer) 8181NA
Cone/Cup (outer) M86649-M86610
Cyl. Bearing (pilot) R1558TAV

Bearings and Seals

Mfg./Year Model & Location Part No Mfg./Year Model & Location Part No

FORD - REAR DRIVE - Elite, Fairlane, LTD II, Torino, Ranchero (cont.)

AUTOMATIC TRANSMISSION

Torque Converter

1965-1962 Ford-o-Matic: 2-speed
 Seal 331107N
 Kwik Slv (Opt Rpr) KWK99199

Rear Seal/Ext. Housing

1965-1962 Ford-o-Matic: 2-speed with 1.5" shaft
 Seal 7692S
 Seal Kit 5202⁶⁴

3-SPEED AUTOMATIC TRANSMISSION

Torque Converter

1979-1968 Cruise-o-Matic
 Seal 331107N
 Kwik Slv (Opt Rpr) KWK99199
1979-1965 C4, C6
 Seal 331107N
 Kwik Slv (Opt Rpr) KWK99199
1978-1955 Ford-o-Matic
 Seal 6988H
 Kwik Slv (Opt Rpr) KWK99193
1967-1963 FX
 Seal 6988H
 Kwik Slv (Opt Rpr) KWK99193

Rear Seal/Ext. Housing

1979-1968 Cruise-o-Matic
 Seal 7300S
 Seal Kit 5203⁶⁴
1979-1966 C6
 Seal 7300S
 Seal Kit 5203⁶⁴
1979-1965 C4
 Seal 7692S
 Seal Kit 5202⁶⁴
1978-1955 Ford-o-Matic
 Seal 7692S
 Seal Kit 5202⁶⁴
1968-1963 FX
 Seal 473234

Selector Shaft Seal/Man. Shaft

1979-1965 C4
 Seal 240816
 Kwik Slv (Opt Rpr) KWK99076
1979-1955 exc. C4
 Seal 7929S

CLUTCH

Pilot Bearing

1974-1973 production thru 5/1974
 Needle Bearing FC65662

3-SPEED MANUAL TRANSMISSION

Front Input Shaft

1974-1963 Tremec 150, 160, 162
 Seal 3638
 Bearing 208LO
 Kwik Slv (Opt Rpr) KWK99112
1968-1963 Ford 2.77 (HED, RED)
 Seal 480210
 Bearing 207L
 Kwik Slv (Opt Rpr) KWK99106
1967-1962 Warner T86
 Seal 450326
 Bearing 207L
 Kwik Slv (Opt Rpr) KWK99149
1962-1955 Ford L/D
 Seal 482208
 Bearing 208SL
 Kwik Slv (Opt Rpr) KWK99112
1961-1955 Warner T86
 Seal 450326
 Bearing 207L
 Kwik Slv (Opt Rpr) KWK99149
1960-1956 Warner T85
 Seal 482208
 Bearing 307L
 Kwik Slv (Opt Rpr) KWK99112

Rear Output Shaft

1974-1963 Tremec 150, 160, 162
 Seal 7692S
 Bearing 207L
 Seal Kit 5202⁶⁴
1968-1963 Ford 2.77 (HED, RED): 1.375" shaft
 Seal 7495S
 Bearing 206L
 Seal Kit 5204⁶⁴
1968-1963 Ford 2.77 (HED, RED): 1.5" shaft
 Seal 470059
 Bearing 206L
 Seal Kit 5201⁶⁴
1967-1955 Warner T86
 Seal 470059
 Bearing 207L
 Seal Kit 5201⁶⁴
1962-1955 Ford L/D
 Seal 470059
 Bearing 208SL
 Seal Kit 5201⁶⁴
1960-1956 Warner T85
 Seal 470059
 Bearing 307L
 Seal Kit 5201⁶⁴

Selector Shaft Seal/Man. Shaft

1968-1963 Ford 2.77 (HED, RED)
 Seal 7399S
 Kwik Slv (Opt Rpr) KWK99062
1967-1955 Warner T85, T86
 Seal 340797
 Kwik Slv (Opt Rpr) KWK99059

FORD - REAR DRIVE - Elite, Fairlane, LTD II, Torino, Ranchero (cont.)

4-SPEED MANUAL TRANSMISSION

Input Shaft

1979	Tremec 170, 171, 174	
Seal	3638
Bearing	209L
Kwik Slv (Opt Rpr)	KWK99112
1978-1966	Tremec 170, 172	
Seal	482208
Bearing	209L
Kwik Slv (Opt Rpr)	KWK99112
1966-1965	Warner T10	
Seal	482208
Bearing	307L
Kwik Slv (Opt Rpr)	KWK99112

Rear Output Shaft

1979-1977	Tremec 170, 171, 174	
Seal	7692S
Bearing	307L4
Seal Kit	5202 ⁶⁴
1973-1966	Tremec 170: 31-spline, 1.690" shaft	
Seal	473234
Bearing	307L
1973-1966	Tremec 170: 28-spline, 1.5" shaft	
Seal	470059
Bearing	307L
Seal Kit	5201 ⁶⁴
1966-1965	Warner T10	
Seal	7692S
Bearing	307L
Seal Kit	5202 ⁶⁴

Selector Shaft Seal/Man. Shaft

1979-1966		
Seal	313156

POWER STEERING

Pump Shaft

1977-1960	Manual Steering Worm Shaft: Saginaw Design	
Bearing	8537

CRANKSHAFT REAR SEAL

6 Cylinder

1974-1969	250/4.1L	
Seal Rope	5095
Seal Split Opt.	5108
1968-1963	170/2.8, 200/3.3	
Seal Rope	5095
Seal Split Opt.	5116

8 Cylinder

1979-1971	351/5.8 (M), 400/6.6	
Seal Rope	5095
Seal Split Opt.	5117
1979-1964	260/4.3, 289/4.7, 302/5.0, 351/5.8 (C), 351/5.8 (W)	
Seal Rope	5095
Seal Split Opt.	5108
1976-1970	429/7.0, 460/7.5	
Seal Rope	5095
Seal Split Opt.	5118
1969-1958	352/5.8, 390/6.4, 406/6.6, 427/7.0, 428/7.0	
Seal Rope	5095
Seal Split Opt.	5112S

TIMING COVER

6 Cylinder

1974-1969	250/4.1L	
Seal (front entry)	2692
Seal (rear entry)	2942
Kwik Slv (Opt Rpr)	KWK99187
Harmonic Balancer		
Sleeves	88187
1968-1963	170/2.8, 200/3.3	
Seal	7486S
Kwik Slv (Opt Rpr)	KWK99174
1962-1955	223/3.6	
Seal	350936
Kwik Slv (Opt Rpr)	KWK99187
Harmonic Balancer		
Sleeves	88187

8 Cylinder

1979-1958	exc. 272/4.4, 292/4.8	
Seal (front entry)	2692
Seal (rear entry)	2942
Kwik Slv (Opt Rpr)	KWK99187
Harmonic Balancer		
Sleeves	88187
1962-1955	272/4.4, 292/4.8	
Seal	350936
Kwik Slv (Opt Rpr)	KWK99187
Harmonic Balancer		
Sleeves	88187

[] Indicates Quantity Required; Set Components Listed Inside Rear Cover;
⁶⁴ Opt. Seal and Bushing Kit

Bearings and Seals

Mfg./Year Model & Location Part No Mfg./Year Model & Location Part No

FORD - REAR DRIVE - Fairmont

FRONT WHEEL

1983-1978	
Seal (inner)	6815[2]
Set (inner)	SET17
Set (outer)	SET12

REAR WHEEL

1983-1979	exc. WGX axle
Seal	3214[2]
Bearing	RW207CCRA[2]
1983-1978	WGX axle
Seal	8660S[2]
Cyl. Bearing	5707[2]
Kit	TRP1563TAV[2] ¹⁹
1978	exc. WGX axle
Bearing	RW207CCRA[2]

REAR AXLE

Differential Rebuild Kit

1982-1980	7.5" ring gear
Kit	DRK315
1980-1978	8" ring gear
Kit	DRK310
1980-1978	9" ring gear
Kit	DRK313

Differential

1983-1978	
Cone/Cup	LM501349-LM501314[2]

Pinion

1983-1979	8.5" ring gear
Cone/Cup (inner)	M802048-M802011
Seal Viton (outer)	3604
Cone/Cup (outer)	M88048-M88010
1983-1979	8.8" ring gear
Cone/Cup (inner)	M802048-M802011
Seal Viton (outer)	3604
Cone/Cup (outer)	M88048-M88010
1983-1978	6.75" ring gear
Cone/Cup (inner)	HM88648-HM88610
Seal (outer)	3618
Cone/Cup (outer)	M86649-M86610
1982-1979	7.5" ring gear
Cone/Cup (inner)	M802048-M802011
Seal Viton (outer)	3604
Cone/Cup (outer)	M88048-M88010
1980-1979	8" ring gear
Cone/Cup (inner)	M86649-M86610
Seal (outer)	3618
Cone/Cup (outer)	M86649-M86610
Cyl. Bearing (pilot)	R1558TAV
1978	7.5" ring gear
Cone/Cup (inner)	M802048-M802011
Seal (outer)	9190N
Cone/Cup (outer)	M88048-M88010

3-SPEED AUTOMATIC TRANSMISSION

Torque Converter

1983-1978	C3
Seal	2658
1983-1975	C4, C5
Seal	331107N
Kwik Slv (Opt Rpr)	KWK99199
1980-1975	Jatco 3N71
Seal Viton	2025
Kwik Slv (Opt Rpr)	KWK99166

Rear Seal/Ext. Housing

1983-1978	C3
Seal	2655
1983-1975	C4, C5
Seal	7692S
Seal Kit	5202 ⁶⁴
1980-1975	Jatco 3N71
Seal	7692S
Seal Kit	5202 ⁶⁴

Selector Shaft Seal/Man. Shaft

1983-1975	C4, C5
Seal	240816
Kwik Slv (Opt Rpr)	KWK99076
1983-1975	exc. C4
Seal	7929S

CLUTCH

Release Bearing

1983-1980	4-cylinder: German trans
Bearing Assy	614013
1982-1980	4-cylinder: Ford trans
Bearing Assy	614014
1982-1978	6-cylinder
Bearing Assy	614014
1979-1978	4-cylinder: Ford trans
Bearing Assy	614013
1979-1978	8-cylinder
Bearing Assy	614014

4-SPEED MANUAL TRANSMISSION

Input Shaft

1983-1979	Tremac
Seal	3638
Bearing	209L
Kwik Slv (Opt Rpr)	KWK99112
1983-1975	German Design (ET)
Seal	2503N
Bearing	207LO
Kwik Slv (Opt Rpr)	KWK99111
1979-1975	English Design (WG)
Seal	2503N
Bearing	207LO
Kwik Slv (Opt Rpr)	KWK99111
1978-1975	Tremac
Seal	482208
Bearing	209L
Kwik Slv (Opt Rpr)	KWK99112

232 [] Indicates Quantity Required; Set Components Listed Inside Rear Cover;

¹⁹ Opt. Axle Repair Bearing. Replaces O.E. bearing & seal.

⁶⁴ Opt. Seal and Bushing Kit

FORD - REAR DRIVE - Fairmont (cont.)

4-SPEED MANUAL TRANSMISSION

Rear Output Shaft

1983-1977	Tremec 170, 171, 174	
Seal		7692S
Bearing		307L4
Seal Kit		5202 ⁶⁴
1983-1975	German Design (ET)	
Seal		2443
Bearing		108A

Selector Shaft Seal/Man. Shaft

1983-1975	Tremac	
Seal		313156

CAMSHAFT SEAL

4 Cylinder

1983-1978	140/2.3L	
Seal		2955

CRANKSHAFT REAR SEAL

4 Cylinder

1983-1978	140/2.3L	
Seal Rope		5095
Seal Split Opt.		5108

6 Cylinder

1983-1978	200/3.3L	
Seal Rope		5095
Seal Split Opt.		5116

8 Cylinder

1982-1980	255/4.2	
Seal Rope		5095
Seal Split Opt.		5108

CRANKSHAFT REAR SEAL (cont.)

8 Cylinder (cont.)

1979-1978	302/5.0L	
Seal Rope		5095
Seal Split Opt.		5108

TIMING COVER

4 Cylinder

1983-1978	140/2.3L	
Seal		2955

6 Cylinder

1983-1978	200/3.3L	
Seal		7486S
Kwik Slv (Opt Rpr)		KWK99174

8 Cylinder

1979-1978	302/5.0L	
Seal (front entry)		2692
Seal (rear entry)		2942
Kwik Slv (Opt Rpr)		KWK99187
Harmonic Balancer		
Sleeves		88187

FORD - REAR DRIVE - Falcon, Maverick

FRONT WHEEL

1977-1975	6.75" ring gear	
Seal (inner)		6815[2]
Set (inner)		SET5
Set (outer)		SET12
1977-1970	8" ring gear	
Seal (inner)		6815[2]
Set (inner)		SET13
Set (outer)		SET12
1969-1967	all	
Seal (inner)		6815[2]
Set (inner)		SET6
Set (outer)		SET2
1966-1965	disc brakes	
Seal (inner)		6815[2]
Set (inner)		SET6
Set (outer)		SET2

FRONT WHEEL (cont.)

1966-1963	8-cylinder and drum brakes	
Seal (inner)		6815[2]
Set (inner)		SET6
Set (outer)		SET2
1966-1960	6-cylinder and drum brakes	
Seal (inner)		7994S[2]
Set (inner)		SET4
Set (outer)		SET1

REAR WHEEL

1978-1973		
Seal		9569S[2]
Bearing		RW207CCRA[2]
1977	8" ring gear	
Seal		9569S[2]
Bearing		RW207CCRA[2]
1977-1976	exc. 8" ring gear	
Seal		3214[2]
Bearing		RW207CCRA[2]

[] Indicates Quantity Required; Set Components Listed Inside Rear Cover;
⁶⁴ Opt. Seal and Bushing Kit

Bearings and Seals

Mfg./Year Model & Location Part No Mfg./Year Model & Location Part No

FORD - REAR DRIVE - Falcon, Maverick (cont.)

REAR WHEEL (cont.)

1972-1970	4-lug wheels	
Seal		9161[2]
Bearing		RWF34R[2]
1972-1970	5-lug wheels	
Seal		9569S[2]
Bearing		RW207CCRA[2]
1970-1969	6-cylinder: exc. Passenger car	
Seal		9569S[2]
Bearing		RW207CCRA[2]
1970-1969	8-cylinder	
Seal		9569S[2]
Bearing		RW207CCRA[2]
1970-1966	6-cylinder: Passenger car	
Seal		9161[2]
Bearing		RWF34R[2]
1968-1965	8-cylinder: Passenger car	
Seal		9569S[2]
Bearing		RW207CCRA[2]
1967-1960	6-cylinder: Ranchero, Taxi	
Seal		484054[2]
Bearing		RWF34R[2]
1967-1960	6-cylinder: Sedan Delivery, Wagon	
Seal		484054[2]
Bearing		RWF34R[2]
1965-1960	6-cylinder: Passenger car	
Seal		451182[2]
Bearing		88506AR[2]
1964-1963	8-cylinder: Passenger car	
Seal		51322[2]
Bearing		RW207CCRA[2]

CLUTCH RELEASE

3-Finger Clutches

1977-1963	10" and 10.4" clutches	
Bearing Assy		614034

Diaphragm Clutches

1977-1975	6-cylinder: 200 engine	
Bearing Assy		614038
1977-1975	6-cylinder: 250 engine	
Bearing Assy		614014
1977-1975	8-cylinder	
Bearing Assy		614014
1974-1972	6-cylinder	
Bearing Assy		614038
1974-1972	8-cylinder	
Bearing Assy		614038
1971-1970	6-cylinder: 9" clutch	
Bearing Assy		614038
1971-1967	8-cylinder	
Bearing Assy		614038
1970	6-cylinder: exc. 9" clutch	
Bearing Only		F1625C
1970-1966	6-cylinder	
Bearing Assy		614038
1966-1963	8-cylinder	
Bearing Only		F1625C
1966-1960	6-cylinder	
Bearing Only		F1505C

REAR AXLE

Differential Rebuild Kit

1977-1975	8" ring gear: production from 11/1975 on	
Kit		DRK310

Differential

1977-1970	Maverick: 8" ring gear	
Set		SET45[2]
1970	Maverick: 7.25" ring gear	
Cone/Cup		LM29749-LM29710[2]
1969-1963	Falcon: 8-cylinder	
Set		SET45[2]
1969-1961	Falcon: 6-cylinder	
Cone/Cup		LM29749-LM29710[2]
1960	Falcon	
Set		SET5[2]

Pinion

1977-1971	8" ring gear	
Cone/Cup (inner)		M86649-M86610
Seal (outer)		8181NA
Cone/Cup (outer)		M86649-M86610
Cyl. Bearing (pilot)		R1558TAV
1970	7.25" ring gear	
Cone/Cup (inner)		HM89446A-HM89410
Seal (outer)		8181NA
Cone/Cup (outer)		M86649-M86610
1970-1967	6-cylinder: 144 engine	
Cone/Cup (inner)		HM88649-HM88610
Seal (outer)		7457N
Cone/Cup (outer)		M86649-M86610
1970-1963	8-cylinder engines	
Cone/Cup (inner)		M86649-M86610
Seal (outer)		8181NA
Cone/Cup (outer)		M86649-M86610
Cyl. Bearing (pilot)		R1558TAV
1969-1960	6-cylinder: 170, 200 engines	
Cone/Cup (inner)		HM89446A-HM89410
Seal (outer)		8181NA
Cone/Cup (outer)		M86649-M86610

AUTOMATIC TRANSMISSION

Torque Converter

1965-1962	Ford-o-Matic: 2-speed	
Seal		331107N
Kwik Slv (Opt Rpr)		KWK99199

Rear Seal/Ext. Housing

1965-1962	Ford-o-Matic: 2-speed with 1.5" shaft	
Seal		7692S
Seal Kit		5202 ⁶⁴

3-SPEED AUTOMATIC TRANSMISSION

Torque Converter

1977-1975	Jatco 3N71	
Seal Viton		2025
Kwik Slv (Opt Rpr)		KWK99166

FORD - REAR DRIVE - Falcon, Maverick (cont.)

3-SPEED AUTOMATIC TRANSMISSION (cont.)

Torque Converter (cont.)

1977-1964	C4	
Seal		331107N
Kwik Slv (Opt Rpr)		KWK99199
1967-1963	FX	
Seal		6988H
Kwik Slv (Opt Rpr)		KWK99193

Rear Seal/Ext. Housing

1977-1975	Jatco 3N71	
Seal		7692S
Seal Kit		5202 ⁶⁴
1977-1964	C4	
Seal		7692S
Seal Kit		5202 ⁶⁴
1967-1963	FX	
Seal		473234

Selector Shaft Seal/Man. Shaft

1977-1964	C4	
Seal		240816
Kwik Slv (Opt Rpr)		KWK99076
1977-1963	exc. C4	
Seal		7929S

CLUTCH

Pilot Bearing

1974-1973	production thru 5/1974	
Needle Bearing		FC65662
1970-1968	6-cylinder 200, 250	
Needle Bearing		FC65662
1968-1964	8-cylinder 260, 289	
Bushing		PB50F

3-SPEED MANUAL TRANSMISSION

Front Input Shaft

1976-1963	Tremec 150, 160, 162	
Seal		3638
Bearing		208LO
Kwik Slv (Opt Rpr)		KWK99112
1967-1960	Ford 2.77 (HED, RED)	
Seal		480210
Bearing		207L
Kwik Slv (Opt Rpr)		KWK99106

Rear Output Shaft

1976-1963	Tremec 150, 160, 162	
Seal		7692S
Bearing		207L
Seal Kit		5202 ⁶⁴
1968-1960	Ford 2.77 (HED, RED): 1.375" shaft	
Seal		7495S
Bearing		206L
Seal Kit		5204 ⁶⁴

3-SPEED MANUAL TRANSMISSION (cont.)

Rear Output Shaft (cont.)

1968-1960	Ford 2.77 (HED, RED): 1.5" shaft	
Seal		470059
Bearing		206L
Seal Kit		5201 ⁶⁴

Selector Shaft Seal/Man. Shaft

1968-1963	Ford 2.77 (HED, RED)	
Seal		7399S
Kwik Slv (Opt Rpr)		KWK99062

4-SPEED MANUAL TRANSMISSION

Input Shaft

1977-1971	English Design (WG)	
Seal		2503N
Bearing		207LO
Kwik Slv (Opt Rpr)		KWK99111
1977-1971	German Design (ET)	
Seal		2503N
Bearing		207LO
Kwik Slv (Opt Rpr)		KWK99111
1977-1965	Tremac	
Seal		482208
Bearing		209L
Kwik Slv (Opt Rpr)		KWK99112
1966-1963	Warner T10	
Seal		482208
Bearing		307L
Kwik Slv (Opt Rpr)		KWK99112

Rear Output Shaft

1977	Tremec 170, 171, 174	
Seal		7692S
Bearing		307L4
Seal Kit		5202 ⁶⁴
1977-1971	German Design (ET)	
Seal		2443
Bearing		108A
1973-1971	English Design (WG)	
Seal		2551
Bearing		207L
1970-1965	Tremec 170: 31-spline, 1.690" shaft	
Seal		473234
Bearing		307L
1970-1965	Tremec 170: 28-spline, 1.5" shaft	
Seal		470059
Bearing		307L
Seal Kit		5201 ⁶⁴
1966-1963	Warner T10	
Seal		7692S
Bearing		307L
Seal Kit		5202 ⁶⁴

[] Indicates Quantity Required; Set Components Listed Inside Rear Cover;
⁶⁴ Opt. Seal and Bushing Kit

Bearings and Seals

Mfg./Year Model & Location Part No Mfg./Year Model & Location Part No

FORD - REAR DRIVE - Falcon, Maverick (cont.)

4-SPEED MANUAL TRANSMISSION

Selector Shaft Seal/Man. Shaft

1977-1965 Tremac
Seal 313156

CRANKSHAFT REAR SEAL

6 Cylinder

1977-1975 173/2.8L
Seal Viton 3393
Kwik Slv (Opt Rpr) KWK99237
1977-1970 250/4.1L
Seal Rope 5095
Seal Split 5108
1968-1963 144/2.4, 170/2.8, 200/3.3
Seal Rope 5095
Seal Split 5116
1966-1965 240/3.9
Seal Viton 2377
Kwik Slv (Opt Rpr) KWK99372

8 Cylinder

1977-1963 260/4.3, 289/4.7, 302/5.0, 351/5.8
(W)
Seal Rope 5095
Seal Split Opt. 5108

TIMING COVER

6 Cylinder

1977-1975 173/2.8L
Seal Viton 2012S³¹
Seal Viton Opt. 2012V
Kwik Slv (Opt Rpr) KWK99166
1977-1965 240/3.9, 250/4.1
Seal (front entry) 2692
Seal (rear entry) 2942
Kwik Slv (Opt Rpr) KWK99187
Harmonic Balancer
Sleeves 88187
1977-1960 144/2.4, 170/2.8, 200/3.3
Seal 7486S
Kwik Slv (Opt Rpr) KWK99174

8 Cylinder

1977-1963 260/4.3, 289/4.7, 302/5.0, 351/5.8
(C), 351/5.8 (W)
Seal (front entry) 2692
Seal (rear entry) 2942
Kwik Slv (Opt Rpr) KWK99187
Harmonic Balancer
Sleeves 88187

FORD - REAR DRIVE - Granada

FRONT WHEEL

1982-1981
Seal (inner) 6815[2]
Set (inner) SET17
Set (outer) SET12
1980-1975
Seal (inner) 6815[2]
Set (inner) SET13
Set (outer) SET12

REAR WHEEL

1982-1981
Seal 8660S[2]
Cyl. Bearing 5707[2]
Kit TRP1563TAV[2]¹⁹
1980-1978 9" ring gear
Seal 9569S[2]
Bearing RW207CCRA[2]
1979-1975 8.7" ring gear
Seal 8660S[2]
Cyl. Bearing 5707[2]
Kit TRP1563TAV[2]¹⁹
1979-1975 8" ring gear
Seal 9569S[2]
Bearing RW207CCRA[2]
1979-1975 rear disc brakes
Seal (inner) 51098[2]
Bearing (inner) 88128RAP[2]
Seal (outer) 3794[2]

REAR WHEEL (cont.)

1977 9" ring gear; w/drum brakes
Seal (inner) 51098[2]
Bearing (inner) 514003P[2]

CLUTCH RELEASE

3-Finger Clutches

1977-1975 all
Bearing Assy 614034

Diaphragm Clutches

1982-1981 4-cylinder
Bearing Assy 614013
1980-1975 6-cylinder: 250 engine
Bearing Assy 614014
1979-1975 8-cylinder
Bearing Assy 614014
1977-1975 6-cylinder: 200 engine
Bearing Assy 614038

REAR AXLE

Differential Rebuild Kit

1982-1980 7.5" ring gear
Kit DRK315
1980-1978 8" ring gear
Kit DRK310
1980-1978 9" ring gear
Kit DRK313

236 [] Indicates Quantity Required; Set Components Listed Inside Rear Cover;

¹⁹ Opt. Axle Repair Bearing. Replaces O.E. bearing & seal.

³¹ When depleted use number listed directly below

FORD - REAR DRIVE - Granada (cont.)

REAR AXLE

Differential

1982-1981	7.5" ring gear	
	Cone/Cup	LM501349-LM501314[2]
1980-1975	9" ring gear: WEB, WEC, WFA, WFC axles	
	Set	SET47[2]
1980-1975	8" ring gear	
	Set	SET45[2]

Pinion

1982-1979	6.75" ring gear	
	Cone/Cup (inner)	HM88648-HM88610
	Seal (outer)	3618
	Cone/Cup (outer)	M86649-M86610
1982-1979	7.5" ring gear	
	Cone/Cup (inner)	M802048-M802011
	Seal Viton (outer)	3604
	Cone/Cup (outer)	M88048-M88010
1982-1979	8.5" ring gear	
	Cone/Cup (inner)	M802048-M802011
	Seal Viton (outer)	3604
	Cone/Cup (outer)	M88048-M88010
1982-1979	8.8" ring gear	
	Cone/Cup (inner)	M802048-M802011
	Seal Viton (outer)	3604
	Cone/Cup (outer)	M88048-M88010
1980	9" ring gear	
	Cone/Cup (inner)	M88048-M88010
	Seal (outer)	3700
	Cone/Cup (outer)	M88048-M88010
	Cyl. Bearing (pilot)	R1535TAV
1980-1979	8" ring gear	
	Cone/Cup (inner)	M86649-M86610
	Seal (outer)	3618
	Cone/Cup (outer)	M86649-M86610
	Cyl. Bearing (pilot)	R1558TAV
1979-1975	9" ring gear	
	Cone/Cup (inner)	M88048-M88010
	Seal (outer)	7044NA
	Cone/Cup (outer)	M88048-M88010
	Cyl. Bearing (pilot)	R1535TAV
1978	7.5" ring gear	
	Cone/Cup (inner)	M802048-M802011
	Seal (outer)	9190N
	Cone/Cup (outer)	M88048-M88010
1978-1975	8" ring gear	
	Cone/Cup (inner)	M86649-M86610
	Seal (outer)	8181NA
	Cone/Cup (outer)	M86649-M86610
	Cyl. Bearing (pilot)	R1558TAV
1978-1975	8.5" ring gear	
	Cone/Cup (inner)	M802048-M802011
	Seal (outer)	9190N
	Cone/Cup (outer)	M88048-M88010
1978-1975	8.7" ring gear	
	Cone/Cup (inner)	M802048-M802011
	Seal (outer)	9190N
	Cone/Cup (outer)	M88048-M88010

3-SPEED AUTOMATIC TRANSMISSION

Torque Converter

1982-1978	C3	
	Seal	2658
1982-1975	C4, C5	
	Seal	331107N
	Kwik Slv (Opt Rpr)	KWK99199
1980-1975	Jatco 3N71	
	Seal Viton	2025
	Kwik Slv (Opt Rpr)	KWK99166

Rear Seal/Ext. Housing

1982-1978	C3	
	Seal	2655
1982-1975	C4, C5	
	Seal	7692S
	Seal Kit	5202 ⁶⁴
1980-1975	Jatco 3N71	
	Seal	7692S
	Seal Kit	5202 ⁶⁴

Selector Shaft Seal/Man. Shaft

1982-1975	C4, C5	
	Seal	240816
	Kwik Slv (Opt Rpr)	KWK99076
1982-1975	exc. C4	
	Seal	7929S

4-SPEED MANUAL TRANSMISSION

Input Shaft

1982-1979	Tremac	
	Seal	3638
	Bearing	209L
	Kwik Slv (Opt Rpr)	KWK99112
1982-1975	German Design (ET)	
	Seal	2503N
	Bearing	207LO
	Kwik Slv (Opt Rpr)	KWK99111
1979-1971	English Design (WG)	
	Seal	2503N
	Bearing	207LO
	Kwik Slv (Opt Rpr)	KWK99111
1978-1975	Tremac	
	Seal	482208
	Bearing	209L
	Kwik Slv (Opt Rpr)	KWK99112

Rear Output Shaft

1982-1977	Tremec 170, 171, 174	
	Seal	7692S
	Bearing	307L4
	Seal Kit	5202 ⁶⁴
1982-1971	German Design (ET)	
	Seal	2443
	Bearing	108A

[] Indicates Quantity Required; Set Components Listed Inside Rear Cover;

⁶⁴ Opt. Seal and Bushing Kit

Bearings and Seals

Mfg./Year	Model & Location	Part No	Mfg./Year	Model & Location	Part No
-----------	------------------	---------	-----------	------------------	---------

FORD - REAR DRIVE - Granada (cont.)

4-SPEED MANUAL TRANSMISSION

Selector Shaft Seal/Man. Shaft

1982-1975	Tremac	
Seal		313156

CRANKSHAFT REAR SEAL

4 Cylinder

1982-1981	140/2.3L	
Seal Rope		5095
Seal Split Opt.		5108

6 Cylinder

1979-1970	250/4.1L	
Seal Rope		5095
Seal Split Opt.		5108
1968-1963	144/2.4, 170/2.8, 200/3.3	
Seal Rope		5095
Seal Split Opt.		5116
1966-1965	240/3.9	
Seal Viton		2377
Kwik Slv (Opt Rpr)		KWK99372

8 Cylinder

1979-1963	260/4.3, 289/4.7, 302/5.0, 351/5.8 (W)	
Seal Rope		5095
Seal Split Opt.		5108

TIMING COVER

4 Cylinder

1982-1981	140/2.3L	
Seal		2955

6 Cylinder

1979-1965	240/3.9, 250/4.1	
Seal (front entry)		2692
Seal (rear entry)		2942
Kwik Slv (Opt Rpr)		KWK99187
Harmonic Balancer		
Sleeves		88187
1979-1960	144/2.4, 170/2.8, 200/3.3	
Seal		7486S
Kwik Slv (Opt Rpr)		KWK99174

8 Cylinder

1979-1963	260/4.3, 289/4.7, 302/5.0, 351/5.8 (C), 351/5.8 (W)	
Seal (front entry)		2692
Seal (rear entry)		2942
Kwik Slv (Opt Rpr)		KWK99187
Harmonic Balancer		
Sleeves		88187

FORD - REAR DRIVE - Mustang; incl. Boss, Cobra, GT, Mach I, McLaren, Saleen, Shelby, SVO, SVT

FRONT WHEEL

1989-1984	GT, SVO, McLaren, Saleen	
Seal (inner)		9150S[2]
Set (inner)		SET5
Set (outer)		SET12
1989-1979	exc. GT, SVO, McLaren, Saleen	
Seal (inner)		6815[2]
Set (inner)		SET17
Set (outer)		SET12
1978-1975	6.75" ring gear	
Seal (inner)		6815[2]
Set (inner)		SET5
Set (outer)		SET12
1978-1970	8" ring gear	
Seal (inner)		6815[2]
Set (inner)		SET13
Set (outer)		SET12
1969	Boss Mustang with disc brakes	
Seal (inner)		9150S[2]
Set (inner)		SET5
Set (outer)		SET3
1969-1967	exc. Boss Mustang w/disc brakes	
Seal (inner)		6815[2]
Set (inner)		SET6
Set (outer)		SET2

FRONT WHEEL (cont.)

1966-1965	disc brakes	
Seal (inner)		6815[2]
Set (inner)		SET6
Set (outer)		SET2
1966-1964	6-cylinder engine and drum brakes	
Seal (inner)		7994S[2]
Set (inner)		SET4
Set (outer)		SET1
1966-1964	8-cylinder engine and drum brakes	
Seal (inner)		6815[2]
Set (inner)		SET6
Set (outer)		SET2

REAR WHEEL

1989-1979	(w/o Indep. Rr. Susp.)	
Seal		8660S[2]
Cyl. Bearing		5707[2]
Kit		TRP1563TAV[2] ¹⁹
1983-1976	6.75" ring gear	
Seal		3214[2]
Bearing		RW207CCRA[2]
1979-1976	8" ring gear	
Seal		3214[2]
Bearing		RW207CCRA[2]

238 [] Indicates Quantity Required; Set Components Listed Inside Rear Cover;

¹⁹ Opt. Axle Repair Bearing. Replaces O.E. bearing & seal.

FORD - REAR DRIVE - Mustang; incl. Boss, Cobra, GT, Mach I, McLaren, Saleen, Shelby, SVO, SVT (cont.)

REAR WHEEL (cont.)

1975-1974	1.25" axle shaft	
Seal	3199S[2]
Bearing	RW207CCRA[2]
1975-1974	1.375" axle shaft	
Seal	3214[2]
Bearing	RW207CCRA[2]
1973-1969	1.375" axle shaft exc. WCY	
Seal	9569S[2]
Bearing	RW207CCRA[2]
1973-1969	1.5" axle shaft exc. WCY	
Seal	9363S[2]
Bearing	RW207CCRA[2]
1970-1967	WCY axle	
Seal	9161[2]
Bearing	RWF34R[2]
1968-1967	exc. WCY axle	
Seal	9569S[2]
Bearing	RW207CCRA[2]
1966-1964	6-cylinder engine	
Seal	484054[2]
Bearing	RWF34R[2]
1966-1964	8-cylinder engine	
Seal	51322[2]
Bearing	RW207CCRA[2]

CLUTCH RELEASE

3-Finger Clutches

1973-1963	10" and 10.4"	
Bearing Assy	614034

Diaphragm Clutches

1989-1972	8-cylinder	
Bearing Assy	614014
1989-1974	6-cylinder	
Bearing Assy	614014
1989-1980	4-cylinder: 5-speed	
Bearing Assy	614014
1988-1974	4-cylinder: German trans	
Bearing Assy	614013
1973-1967	8-cylinder: exc. 427, 428, 429 engines	
Bearing Assy	614038
1971-1967	8-cylinder: 427, 428, 429 engines	
Bearing Only	FA2065C
1970-1966	6-cylinder	
Bearing Assy	614038
1966-1963	8-cylinder	
Bearing Only	F1625C
1966-1960	6-cylinder	
Bearing Only	F1505C

REAR AXLE

Differential Rebuild Kit

1989-1986	8.8" ring gear	
Kit	DRK311
1989-1980	7.5" ring gear	
Kit	DRK315
1978-1964	8" ring gear	
Kit	DRK310

REAR AXLE (cont.)

Differential Rebuild Kit (cont.)

1973-1970	9" ring gear: production from 5/11/1970 on	
Kit	DRK313
1970-1967	9" ring gear: production thru 5/10/1970	
Kit	DRK312

Differential

1989	7.5" ring gear	
Seal Viton	714569[2]
Cone/Cup	LM501349-LM501314[2]
1989	8.8" ring gear	
Set	SET36[2]
1988-1986	8.8" ring gear	
Seal Viton	714569[2]
Set	SET36[2]
1988-1979	7.5" ring gear	
Cone/Cup	LM501349-LM501314[2]
1986-1979	6.75" ring gear	
Cone/Cup	LM501349-LM501314[2]
1978-1974	6.75" ring gear	
Set	SET5[2]
1978-1974	8" ring gear	
Set	SET45[2]
1973-1970	WFU, WFB, WFD, WES axles exc. N, P, R, V: production from 5/1970 on	
Set	SET47[2]
1972-1967	7.75" ring gear	
Set	SET45[2]
1972-1967	8" ring gear	
Set	SET45[2]
1970-1965	9" ring gear: Heavy Duty axle: production thru 5/1970	
Set	SET37[2]
1970-1965	9" ring gear: standard axle: production from 5/1970 on	
Set	SET45[2]
1970-1964	WCY axle	
Cone/Cup	LM29749-LM29710[2]
1966-1964	WCL, WCZ, WDJ axles	
Set	SET45[2]

Pinion

1989-1979	7.5" ring gear	
Cone/Cup (inner)	M802048-M802011
Seal Viton (outer)	3604
Cone/Cup (outer)	M88048-M88010
1989-1979	8.8" ring gear	
Cone/Cup (inner)	M802048-M802011
Seal Viton (outer)	3604
Cone/Cup (outer)	M88048-M88010
1983-1979	6.75" ring gear	
Cone/Cup (inner)	HM88648-HM88610
Seal (outer)	3618
Cone/Cup (outer)	M86649-M86610

Bearings and Seals

Mfg./Year Model & Location Part No Mfg./Year Model & Location Part No

FORD - REAR DRIVE - Mustang; incl. Boss, Cobra, GT, Mach I, McLaren, Saleen, Shelby, SVO, SVT (cont.)

REAR AXLE (cont.)

Pinion (cont.)

1978-1974	6.75" ring gear	
	Cone/Cup (inner)	M88048-M88010
	Seal (outer)	8181NA
	Cone/Cup (outer)	M88048-M88010
	Cyl. Bearing (pilot)	R1558TAV
1978-1964	8" ring gear	
	Cone/Cup (inner)	M86649-M86610
	Seal (outer)	8181NA
	Cone/Cup (outer)	M86649-M86610
	Cyl. Bearing (pilot)	R1558TAV
1973-1967	9" ring gear: standard	
	Cone/Cup (inner)	M88048-M88010
	Seal (outer)	7044NA
	Cone/Cup (outer)	M88048-M88010
	Cyl. Bearing (pilot)	R1535TAV
1973-1967	9" ring gear: Heavy Duty	
	Cone/Cup (inner)	HM89443-HM89410
	Seal (outer)	7044NA
	Cone/Cup (outer)	M88048-M88010
	Cyl. Bearing (pilot)	R1535TAV
1970-1964	7.25" ring gear	
	Cone/Cup (inner)	HM89446A-HM89410
	Seal (outer)	8181NA
	Cone/Cup (outer)	M86649-M86610
1968-1966	8.75" ring gear	
	Cone/Cup (inner)	M88048-M88010
	Seal (outer)	7044NA
	Cone/Cup (outer)	M88048-M88010
	Cyl. Bearing (pilot)	R1535TAV

3-SPEED AUTOMATIC TRANSMISSION

Torque Converter

1986-1979	C4, C5	
	Seal	331107N
	Kwik Slv (Opt Rpr)	KWK99199
1986-1974	C3	
	Seal	2658
1976-1975	C4	
	Seal	331107N
	Kwik Slv (Opt Rpr)	KWK99199
1973-1969	Cruise-o-Matic	
	Seal	331107N
	Kwik Slv (Opt Rpr)	KWK99199
1973-1967	C4, C6	
	Seal	331107N
	Kwik Slv (Opt Rpr)	KWK99199
1967-1964	FX	
	Seal	6988H
	Kwik Slv (Opt Rpr)	KWK99193

Rear Seal/Ext. Housing

1986-1974	C3	
	Seal	2655
1986-1967	C4, C5	
	Seal	7692S
	Seal Kit	5202 ⁶⁴

3-SPEED AUTOMATIC TRANSMISSION (cont.)

Rear Seal/Ext. Housing (cont.)

1973-1969	Cruise-o-Matic	
	Seal	7300S
	Seal Kit	5203 ⁶⁴
1973-1967	C6	
	Seal	7300S
	Seal Kit	5203 ⁶⁴
1967-1964	FX	
	Seal	473234

Selector Shaft Seal/Man. Shaft

1986-1967	C4	
	Seal	240816
	Kwik Slv (Opt Rpr)	KWK99076
1986-1964	exc. C4	
	Seal	7929S

4-SPEED AUTOMATIC TRANSMISSION

Torque Converter

1989-1985	A4LD	
	Seal	2658
1989-1983	AOT (AOD)	
	Seal	331107N
	Kwik Slv (Opt Rpr)	KWK99199

Rear Seal/Ext. Housing

1989-1985	A4LD	
	Seal	2655
1989-1983	AOT (AOD): long boot	
	Seal	7692S
	Seal Kit	5202 ⁶⁴

Selector Shaft Seal/Man. Shaft

1989-1983		
	Seal	7929S

CLUTCH

Pilot Bearing

1989-1974	8-cylinder 302 (5.0 litre): production from 5/1974 on	
	Needle Bearing	FC65174
1989-1968	8-cylinder 351	
	Needle Bearing	FC65662
1989-1974	4-cylinder 140 (2.3 litre) normally aspirated and turbo	
	Needle Bearing	FC65354
1982-1980	6-cylinder 200 (3.3 litre)	
	Needle Bearing	FC65174
1979-1974	6-cylinder 171 (2.8 litre)	
	Needle Bearing	F33126
1974-1968	8-cylinder 302 (5.0 litre): production thru 4/1974	
	Needle Bearing	FC65662
1973-1968	6-cylinder 200, 250	
	Needle Bearing	FC65662

FORD - REAR DRIVE - Mustang; incl. Boss, Cobra, GT, Mach I, McLaren, Saleen, Shelby, SVO, SVT (cont.)

CLUTCH (cont.)

Pilot Bearing (cont.)

1971-1967	8-cylinder 390, 428, 429	
Bushing H/D	PB50DHD
1968-1964	8-cylinder 260, 289	
Bushing	PB50F

3-SPEED MANUAL TRANSMISSION

Front Input Shaft

1973-1964	Tremec 150, 160, 162	
Seal	3638
Bearing	208LO
Kwik Slv (Opt Rpr)	KWK99112
1967-1964	Warner T86	
Seal	480210
Bearing	207L
Kwik Slv (Opt Rpr)	KWK99106

Mainshaft Pilot

1973-1964	Tremec 150, 160, 162	
Needle Bearing	QBR23549[15]
1967-1964	Ford 2.77 (HED, RED)	
Needle Bearing	C1110Q[13]

Countershaft

1973-1964	Tremec 150, 160, 162	
Needle Bearing	C1086Q[50]
1967-1964	Ford 2.77 (HED, RED)	
Needle Bearing	C407Q[44]

Rear Output Shaft

1973-1964	Tremec 150, 160, 162	
Seal	7692S
Bearing	207L
Seal Kit	5202 ⁶⁴
1967-1964	Ford 2.77 (HED, RED): 1.375" shaft	
Seal	7495S
Bearing	206L
Seal Kit	5204 ⁶⁴
1967-1964	Ford 2.77 (HED, RED): 1.5" shaft	
Seal	470059
Bearing	206L
Seal Kit	5201 ⁶⁴

Selector Shaft Seal/Man. Shaft

1967-1964	Ford 2.77 (HED, RED)	
Seal	7399S
Kwik Slv (Opt Rpr)	KWK99062

4-SPEED MANUAL TRANSMISSION

Input Shaft

1986-1974	German Design (ET)	
Seal	2503N
Bearing	207LO
Kwik Slv (Opt Rpr)	KWK99111

4-SPEED MANUAL TRANSMISSION

(cont.)

Input Shaft (cont.)

1983-1980	Tremec 174	
Seal	3638
Bearing	209L
Kwik Slv (Opt Rpr)	KWK99112
1982-1980	Tremec 171	
Seal	3638
Bearing	308LTB
Kwik Slv (Opt Rpr)	KWK99112
1982-1979	Warner SR4	
Seal	3638
Bearing	207LO
Kwik Slv (Opt Rpr)	KWK99112
1978-1974	Warner SR4	
Seal	3638
Bearing	208LO
Kwik Slv (Opt Rpr)	KWK99112
1973-1964	Tremec 170	
Seal	482208
Bearing	209L
Kwik Slv (Opt Rpr)	KWK99112
1966-1964	Warner T10	
Seal	482208
Bearing	307L
Kwik Slv (Opt Rpr)	KWK99112
1966-1964	Dagenham Design	
Seal	482208
Bearing	307L
Kwik Slv (Opt Rpr)	KWK99112

Mainshaft Pilot

1983-1980	Tremec 171, 174	
Needle Bearing	QBR23549[15]
1982-1980	Warner SR4	
Needle Bearing	QBR23549[15]
1979-1964	Warner SR4, Tremac 170	
Needle Bearing	QBR23549[15]
1966-1964	Warner T10	
Needle Bearing	QA19792[14]

Countershaft

1986-1979	German Design (ET)	
Needle Bearing (front)	C407Q[21]
Needle Bearing (rear)	B1316Q[21]
1983-1980	Tremec 171, 174	
Needle Bearing	QAR33724[42]
1982-1974	Warner SR4	
Needle Bearing	C1086Q[50]
1974	German Design (ET)	
Needle Bearing (front)	C407Q[21]
Needle Bearing (rear)	B1316Q[21]
1973-1964	Tremec 170	
Needle Bearing	QAR33724[42]
1966-1964	Warner T10	
Needle Bearing	S443Q[80]

[] Indicates Quantity Required; Set Components Listed Inside Rear Cover;

⁶⁴ Opt. Seal and Bushing Kit

Bearings and Seals

Mfg./Year Model & Location Part No Mfg./Year Model & Location Part No

FORD - REAR DRIVE - Mustang; incl. Boss, Cobra, GT, Mach I, McLaren, Saleen, Shelby, SVO, SVT (cont.)

4-SPEED MANUAL TRANSMISSION

Reverse Idler

1983-1980	Tremec 171, 174	
	Needle Bearing	C407Q[44]
1973-1964	Tremec 170	
	Needle Bearing	C407Q[44]

Rear Output Shaft

1986-1979	German Design (ET)	
	Seal	2443
	Bearing	108A
1983-1980	Tremec 174	
	Seal	7692S
	Bearing	307L
	Seal Kit	5202 ⁶⁴
1982-1980	Tremec 171	
	Seal	7692S
	Bearing	308LTB
	Seal Kit	5202 ⁶⁴
1982-1974	Warner SR4: 25-spline, 1.375" shaft	
	Seal	3116N
	Bearing	207L
1979-1974	Warner SR4: 28-spline, 1.5" shaft	
	Seal	7692S
	Bearing	207L
	Seal Kit	5202 ⁶⁴
1974	German Design (ET)	
	Seal	2443
	Bearing	108A
1973-1964	Tremec 170: 31-spline, 1.690" shaft	
	Seal	473234
	Bearing	307L
1973-1964	Tremec 170: 28-spline, 1.5" shaft	
	Seal	470059
	Bearing	307L
	Seal Kit	5201 ⁶⁴
1966-1964	Warner T10	
	Seal	7692S
	Bearing	307L
	Seal Kit	5202 ⁶⁴
1966-1964	Dagenham Design	
	Seal	7495S
	Bearing	206L
	Seal Kit	5204 ⁶⁴

Selector Shaft Seal/Man. Shaft

1979-1964	Tremac, Warner	
	Seal	313156
1966-1964	Dagenham Design	
	Seal	7399S
	Kwik Slv (Opt Rpr)	KWK99062

5-SPEED MANUAL TRANSMISSION

Front Input Shaft

1989-1980	Tremec 3550	
	Seal	3638
	Cone/Cup	355-354A
	Kwik Slv (Opt Rpr)	KWK99112
1989-1987	Warner T5 World Class (L4 eng.)	
	Seal	7412S
	Cone/Cup	M88048-M88010
	Kwik Slv (Opt Rpr)	KWK99125
	Needle Bearing Thrust	FA55505
1989-1987	Warner T5 World Class (V6 eng.) (V8 eng.)	
	Seal	7412S
	Set	SET5
	Kwik Slv (Opt Rpr)	KWK99125
	Needle Bearing Thrust	FA55505
1986-1983	Warner T5, T5 World Class	
	Seal	7412S
	Set	SET5
	Kwik Slv (Opt Rpr)	KWK99125
	Needle Bearing Thrust	FA55505
1983-1980	Tremec 140, 141	
	Seal	482163N
	Set	SET5
	Kwik Slv (Opt Rpr)	KWK99138

Countershaft

1989-1985	Warner T5 World Class	
	Cone/Cup (front)	LM67048-LM67010BCE
	Set (rear)	SET6
	Needle Bearing Thrust	NTA1423
1989-1980	Tremec 3550	
	Cone/Cup (front)	1380-1328
	Cone/Cup (rear)	1380-1328
1984-1983	Warner T5	
	Needle Bearing (front)	DK55836
	Cyl. Bearing (rear)	5707
	Needle Bearing Thrust	NTA1423
1983-1980	Tremec 140, 141	
	Set (front)	SET2
	Set (rear)	SET6

Mainshaft Pilot

1989-1980	Tremec 3550	
	Needle Bearing	QBR23549[17]
1989-1983	Warner T5, T5 World Class	
	Needle Bearing	QBR23549[15]
1983-1980	Tremec 140, 141	
	Needle Bearing	QBR23549[15]

Mainshaft 1st Speed Gear

1989-1985	Warner T5 World Class	
	Needle Bearing	F218255

FORD - REAR DRIVE - Mustang; incl. Boss, Cobra, GT, Mach I, McLaren, Saleen, Shelby, SVO, SVT (cont.)

5-SPEED MANUAL TRANSMISSION

Mainshaft 2nd Speed Gear

1989-1985 Warner T5 World Class
Needle BearingF93934

Reverse Idler

1989-1980 Tremec 3550
Needle Bearing C407Q[44]

Rear Output Shaft

1989-1980 Tremec 3550
Seal 7692S
Seal Kit 5202⁶⁴
Needle Bearing Thrust FA35688
1989-1983 Warner T5, T5 World Class
Seal 7692S
Cone/Cup 25877-25821
Seal Kit 5202⁶⁴
1983-1980 Tremec 140, 141
Seal 222820
Set SET5

Selector Shaft Seal/Man. Shaft

1983-1980 Tremec 140, 141
Seal 314267N
Kwik Slv (Opt Rpr)KWK99062

CAMSHAFT SEAL

4 Cylinder

1989-1974
Seal 2955

CRANKSHAFT REAR SEAL

4 Cylinder

1989-1982
Seal Viton 3909
Seal PTFE H/D Opt. 5277
Kwik Slv (Opt Rpr)KWK99363
1981-1974
Seal Rope 5095
Seal Split Opt. 5108

6 Cylinder

1989-1983 232/3.8L from 12/31/82
Seal Viton 3909
Seal PTFE H/D Opt. 5277
Kwik Slv (Opt Rpr)KWK99363
1983 232/3.8L to 12/31/82
Seal Rope 5095
Seal Split Opt. 5108
1982-1964 170/2.8, 200/3.3
Seal Rope 5095
Seal Split Opt. 5116
1979-1974 171/2.8L
Seal Viton 3393
Kwik Slv (Opt Rpr)KWK99237

CRANKSHAFT REAR SEAL (cont.)

6 Cylinder (cont.)

1973-1969 250/4.1L
Seal Rope 5095
Seal Split Opt. 5108

8 Cylinder

1989-1984 281/4.6L, 302/5.0L
Seal Viton 3909
Seal PTFE H/D Opt. 5277
Kwik Slv (Opt Rpr)KWK99363
1983 302/5.0L From 12/82
Seal Viton 3909
Seal PTFE H/D Opt. 5277
Kwik Slv (Opt Rpr)KWK99363
1983 302/5.0L Thru 11/82
Seal Rope 5095
Seal Split Opt. 5108
1982-1964 255/4.2, 260/4.3, 289/4.7,
302/5.0, 351/5.8 (C), 351/5.8 (W)
Seal Rope 5095
Seal Split Opt. 5108
1971 429/7.0
Seal Rope 5095
Seal Split Opt. 5118
1970-1967 390 and larger engines
Seal Rope 5095
Seal Split Opt. 5112S

TIMING COVER

4 Cylinder

1989-1974
Seal 2955

6 Cylinder

1989-1983 232/3.8L
Seal (front) 2692
Seal (rear) 2942
Kwik Slv (Opt Rpr)KWK99187
Harmonic Balancer
Sleeves 88187
1982-1964 170/2.8, 200/3.3
Seal 7486S
Kwik Slv (Opt Rpr)KWK99174
1979-1974 171/2.8L
Seal Viton 2012S³¹
Kwik Slv (Opt Rpr)KWK99166
1973-1969 250/4.1L
Seal (front entry) 2692
Seal (rear entry) 2942
Kwik Slv (Opt Rpr)KWK99187
Harmonic Balancer
Sleeves 88187

[] Indicates Quantity Required; Set Components Listed Inside Rear Cover;

³¹ When depleted use number listed directly below ⁶⁴ Opt. Seal and Bushing Kit

Bearings and Seals

Mfg./Year Model & Location Part No Mfg./Year Model & Location Part No

FORD - REAR DRIVE - Mustang; incl. Boss, Cobra, GT, Mach I, McLaren, Saleen, Shelby, SVO, SVT (cont.)

TIMING COVER

8 Cylinder

1989-1980	255/4.2L, 302/5.0L, 351/5.8L (W)
Seal (front entry)	2692
Seal (rear entry)	2942
Kwik Slv (Opt Rpr)	KWK99187
Harmonic Balancer	
Sleeves	88187

TIMING COVER (cont.)

8 Cylinder (cont.)

1979-1964	
Seal (front entry)	2692
Seal (rear entry)	2942
Kwik Slv (Opt Rpr)	KWK99187
Harmonic Balancer	
Sleeves	88187

FORD - REAR DRIVE - Pinto

FRONT WHEEL

1980-1971	
Seal (inner)	6815[2]
Set (inner)	SET13
Set (outer)	SET12

REAR WHEEL

1980-1979	
Seal	3214[2]
Bearing	RW207CCRA[2]
1978	8" ring gear
Seal	3214[2]
Bearing	RW207CCRA[2]
1978	6.75" ring gear
Seal	3199S[2]
Bearing	RW207CCRA[2]
1977-1976	
Seal	3214[2]
Bearing	RW207CCRA[2]
1975-1974	
Seal	3199S[2]
Bearing	RW207CCRA[2]
1973-1971	
Seal	2669[2]
Bearing	RWP30YYR[2]

REAR AXLE

Differential Rebuild Kit

1980-1971	8.75" ring gear
Kit	DRK310

Differential

1980-1979	6.75" ring gear
Cone/Cup	LM501349-LM501314[2]
1980-1975	8" ring gear
Set	SET45[2]
1978-1971	6.75" ring gear
Set	SET5[2]

REAR AXLE

Pinion

1980-1979	8" ring gear
Cone/Cup (inner)	M86649-M86610
Seal (outer)	3618
Cone/Cup (outer)	M86649-M86610
Cyl. Bearing (pilot)	R1558TAV
1980-1979	6.75" ring gear
Cone/Cup (inner)	HM88648-HM88610
Seal (outer)	3618
Cone/Cup (outer)	M86649-M86610
1978-1973	8" ring gear
Cone/Cup (inner)	M86649-M86610
Seal (outer)	8181NA
Cone/Cup (outer)	M86649-M86610
Cyl. Bearing (pilot)	R1558TAV
1978-1971	6.75" ring gear
Cone/Cup (inner)	M88048-M88010
Seal (outer)	8181NA
Cone/Cup (outer)	M86649-M86610
Cyl. Bearing (pilot)	R1558TAV

3-SPEED AUTOMATIC TRANSMISSION

Torque Converter

1980-1978	C3
Seal	2658
1980-1971	C4, C5
Seal	331107N
Kwik Slv (Opt Rpr)	KWK99199
1979-1975	Jatco 3N71
Seal Viton	2025
Kwik Slv (Opt Rpr)	KWK99166

Rear Seal/Ext. Housing

1980-1978	C3
Seal	2655
1980-1971	C4, C5
Seal	7692S
Seal Kit	5202 ⁶⁴
1979-1975	Jatco 3N71
Seal	7692S
Seal Kit	5202 ⁶⁴

FORD - REAR DRIVE - Pinto (cont.)

3-SPEED AUTOMATIC TRANSMISSION

Selector Shaft Seal/Man. Shaft

1980-1971	C4, C5	
	Seal	240816
	Kwik Slv (Opt Rpr)	KWK99076
1979-1971	exc. C4	
	Seal	7929S

CLUTCH

Release Bearing

1980	4-cylinder: Ford trans	
	Bearing Assy	614014
1980	4-cylinder: German trans	
	Bearing Assy	614013
1980-1978	6-cylinder	
	Bearing Assy	614014
1979-1971	4-cylinder: Ford trans	
	Bearing Assy	614013

4-SPEED MANUAL TRANSMISSION

Input Shaft

1980-1979	Tremac	
	Seal	3638
	Bearing	209L
	Kwik Slv (Opt Rpr)	KWK99112
1980-1971	German Design (ET)	
	Seal	2503N
	Bearing	207LO
	Kwik Slv (Opt Rpr)	KWK99111
1979-1971	English Design (WG)	
	Seal	2503N
	Bearing	207LO
	Kwik Slv (Opt Rpr)	KWK99111
1978-1971	Tremac	
	Seal	482208
	Bearing	209L
	Kwik Slv (Opt Rpr)	KWK99112

Rear Output Shaft

1980-1977	Tremec 170, 171, 174	
	Seal	7692S
	Bearing	307L4
	Seal Kit	5202 ⁶⁴
1980-1971	German Design (ET)	
	Seal	2443
	Bearing	108A
1973-1971	English Design (WG)	
	Seal	2551
	Bearing	207L

4-SPEED MANUAL TRANSMISSION

Selector Shaft Seal/Man. Shaft

1980-1971	Tremac	
	Seal	313156

CAMSHAFT SEAL

4 Cylinder

1980-1974	140/2.3L	
	Seal	2955
1974-1971	122/2.0L	
	Seal Viton	2012S[2] ³¹
	Seal Viton Opt.	2012V[2]
	Kwik Slv (Opt Rpr)	KWK99166[2]

CRANKSHAFT REAR SEAL

4 Cylinder

1980-1974	140/2.3L	
	Seal Rope	5095
	Seal Split Opt.	5108
1974-1971	98/1.6L, 122/2.0	
	Seal Viton	3393
	Kwik Slv (Opt Rpr)	KWK99237

6 Cylinder

1979-1975	173/2.8L	
	Seal Viton	3393
	Kwik Slv (Opt Rpr)	KWK99237

TIMING COVER

4 Cylinder

1980-1974	140/2.3L	
	Seal	2955
1974-1971	122/2.0L	
	Seal Viton	2012S ³¹
	Seal Viton Opt.	2012V
	Kwik Slv (Opt Rpr)	KWK99166
1973-1971	98/1.6L	
	Seal	3394
	Kwik Slv (Opt Rpr)	KWK99144

6 Cylinder

1979-1975	173/2.8L	
	Seal Viton	2012S ³¹
	Seal Viton Opt.	2012V
	Kwik Slv (Opt Rpr)	KWK99166

[] Indicates Quantity Required; Set Components Listed Inside Rear Cover;

³¹ When depleted use number listed directly below ⁶⁴ Opt. Seal and Bushing Kit

Bearings and Seals

Mfg./Year	Model & Location	Part No	Mfg./Year	Model & Location	Part No
FORD - REAR DRIVE - Thunderbird					

FRONT WHEEL

1989	non-ABS brakes	
Hub Assy	513077[2]
1989	ABS brakes	
Hub Assy	513076[2]
1988-1984	Turbo Coupe	
Seal (inner)	9150S[2]
Set (inner)	SET5
Set (outer)	SET12
1988-1980	exc. turbo	
Seal (inner)	6815[2]
Set (inner)	SET17
Set (outer)	SET12
1979-1974		
Seal (inner)	6815[2]
Set (inner)	SET11
Set (outer)	SET12
1973-1970		
Seal (inner)	6815[2]
Set (inner)	SET13
Set (outer)	SET12
1969-1968		
Seal (inner)	6815[2]
Set (inner)	SET6
Set (outer)	SET2
1967-1965		
Seal (inner)	9150S[2]
Set (inner)	SET5
Set (outer)	SET3
1964-1963		
Seal (inner)	9150S[2]
Set (inner)	SET6
Set (outer)	SET3
1962-1955		
Seal (inner)	6815[2]
Set (inner)	SET6
Set (outer)	SET2

REAR WHEEL

1989		
Bearing Assy	513058[2] ³¹
Set	SET49 ⁵⁵
1988-1980	solid axle: 7.5", 8.5", 8.8" ring gears	
Seal	8660S[2]
Cyl. Bearing	5707[2]
Kit	TRP1563TAV[2] ¹⁹
1979-1977	ball bearing	
Seal	51098[2]
Bearing	88128RAP[2]
1979-1975	rear disc brakes	
Seal	3186[2]
Set	SET20
1979-1974	rear drum brakes	
Seal	3195[2]
Set	SET20
1973	ball bearing	
Seal	51098[2]
Bearing	514003P[2]
1972-1962		
Seal	51098[2]
Bearing	514003P[2]

REAR WHEEL (cont.)

1961	small bearing	
Seal	6939[2]
Bearing	RW207CCRA[2]
1961	large bearing	
Seal	6939[2]
Bearing	514003P[2]
1960-1955		
Seal	51098[2]
Bearing	514003P[2]

REAR AXLE

Axle Shaft

1989-1980	7.5", 8.8" ring gears	
Seal Viton	714569[2]
Needle Bearing	FC66998[2]
Kwik Slv (Opt Rpr)	KWK99157[2]

Differential Rebuild Kit

1989-1987	8.8" ring gear	
Kit	DRK311
1989-1980	7.5" ring gear	
Kit	DRK315
1979-1970	9" ring gear: production from 5/11/1970 on	
Kit	DRK313
1970-1957	9" ring gear: production thru 5/10/1970	
Kit	DRK312

Differential

1989-1987	8.8" ring gear	
Set	SET36[2]
1989-1980	7.5" ring gear	
Cone/Cup	LM501349-LM501314[2]
1979-1970	9" ring gear: production from 5/1970 on	
Set	SET47[2]
1972-1966	9.375" ring gear: WDT, WEF axles	
Cone/Cup	25590-25520[2]
1970-1965	9" ring gear: Heavy Duty: production thru 5/1970	
Set	SET37[2]
1964-1961	exc. WTD, WEF axles	
Set	SET37[2]
1960	352 engine	
Set	SET45[2]
1960	430 engine	
Set	SET37[2]
1959-1957		
Set	SET37[2]
1956-1955		
Cone/Cup	25577-25523[2]

246 [] Indicates Quantity Required; Set Components Listed Inside Rear Cover;

¹⁹ Opt. Axle Repair Bearing. Replaces O.E. bearing & seal.

³¹ When depleted use number listed directly below

⁵⁵ Opt. Replacement If 513058 Is Unavailable

FORD - REAR DRIVE - Thunderbird (cont.)

REAR AXLE

Pinion

1989-1979	7.5" ring gear	
	Cone/Cup (inner)	M802048-M802011
	Seal Viton (outer)	3604
	Cone/Cup (outer)	M88048-M88010
1989-1979	8.8" ring gear	
	Cone/Cup (inner)	M802048-M802011
	Seal Viton (outer)	3604
	Cone/Cup (outer)	M88048-M88010
1988-1979	8.5" ring gear	
	Cone/Cup (inner)	M802048-M802011
	Seal Viton (outer)	3604
	Cone/Cup (outer)	M88048-M88010
1982-1979	6.75" ring gear	
	Cone/Cup (inner)	HM88648-HM88610
	Seal (outer)	3618
	Cone/Cup (outer)	M86649-M86610
	Kwik Slv (Opt Rpr)	KWK99181
1980	9" ring gear	
	Cone/Cup (inner)	M88048-M88010
	Seal (outer)	3700
	Cone/Cup (outer)	M88048-M88010
	Cyl. Bearing (pilot)	R1535TAV
1980-1979	8" ring gear	
	Cone/Cup (inner)	M86649-M86610
	Seal (outer)	3618
	Cone/Cup (outer)	M86649-M86610
	Cyl. Bearing (pilot)	R1558TAV
1979-1967	9" ring gear	
	Cone/Cup (inner)	M88048-M88010
	Seal (outer)	7044NA
	Cone/Cup (outer)	M88048-M88010
	Cyl. Bearing (pilot)	R1535TAV
1978	7.5" ring gear	
	Cone/Cup (inner)	M802048-M802011
	Seal (outer)	9190N
	Cone/Cup (outer)	M88048-M88010
1978-1975	8" ring gear	
	Cone/Cup (inner)	M86649-M86610
	Seal (outer)	8181NA
	Cone/Cup (outer)	M86649-M86610
	Cyl. Bearing (pilot)	R1558TAV
1978-1967	8.5" ring gear	
	Cone/Cup (inner)	M802048-M802011
	Seal (outer)	9190N
	Cone/Cup (outer)	M88048-M88010
1978-1967	8.7" ring gear	
	Cone/Cup (inner)	M802048-M802011
	Seal (outer)	9190N
	Cone/Cup (outer)	M88048-M88010
1966-1964		
	Cone/Cup (inner)	M88048-M88010
	Seal (outer)	7044NA
	Cone/Cup (outer)	M88048-M88010
	Cyl. Bearing (pilot)	R1535TAV
1963		
	Cone/Cup (inner)	M88048-M88010
	Seal (outer)	7044NA
	Cone/Cup (outer)	M88048-M88010
	Cyl. Bearing (pilot)	R1535TAV

REAR AXLE (cont.)

Pinion (cont.)

1962-1958	with 3" OD seal	
	Cone/Cup (inner)	M88048-M88010
	Seal (outer)	7044NA
	Cone/Cup (outer)	M88048-M88010
	Cyl. Bearing (pilot)	R1535TAV
1958-1957	with 4.125" OD seal	
	Cone/Cup (inner)	M88048-M88010
	Seal (outer)	6930
	Cone/Cup (outer)	M88048-M88010
	Cyl. Bearing (pilot)	R1535TAV
1955-1954		
	Cone/Cup (inner)	31594-31520
	Seal (outer)	5778
	Cone/Cup (outer)	02872-02820

3-SPEED AUTOMATIC TRANSMISSION

Torque Converter

1986-1980	C3	
	Seal	2658
1986-1968	exc. C3	
	Seal	331107N
	Kwik Slv (Opt Rpr)	KWK99199
1967-1966	C6	
	Seal	331107N
	Kwik Slv (Opt Rpr)	KWK99199
1967-1963	MX	
	Seal	6988H
	Kwik Slv (Opt Rpr)	KWK99193
1962-1955	Ford-o-Matic	
	Seal	6988H
	Kwik Slv (Opt Rpr)	KWK99193

Rear Seal/Ext. Housing

1986-1982	C5	
	Seal	7692S
1986-1980	C3	
	Seal	2655
1982-1966	C6	
	Seal	7300S
	Seal Kit	5203 ⁶⁴
1980-1977	C4	
	Seal	7692S
	Seal Kit	5202 ⁶⁴
1979-1977	Cruise-o-Matic	
	Seal	7300S
	Seal Kit	5203 ⁶⁴
1968-1963	MX	
	Seal	473234
1962-1955	Ford-o-Matic	
	Seal	7692S
	Seal Kit	5202 ⁶⁴

Selector Shaft Seal/Man. Shaft

1986-1980	C3	
	Seal	7929S
1986-1980	C5	
	Seal	240816
	Kwik Slv (Opt Rpr)	KWK99076

[] Indicates Quantity Required; Set Components Listed Inside Rear Cover;

⁶⁴ Opt. Seal and Bushing Kit

Bearings and Seals

Mfg./Year Model & Location Part No Mfg./Year Model & Location Part No

FORD - REAR DRIVE - Thunderbird (cont.)

3-SPEED AUTOMATIC TRANSMISSION (cont.)

Selector Shaft Seal/Man. Shaft (cont.)

1980-1977	C4	
Seal		240816
Kwik Slv (Opt Rpr)		KWK99076
1979-1955	exc. C4	
Seal		7929S

4-SPEED AUTOMATIC TRANSMISSION Torque Converter

1989-1981	AOT (AOD)	
Seal		331107N
Kwik Slv (Opt Rpr)		KWK99199
1988-1987	A4LD	
Seal		2658

Rear Seal/Ext. Housing

1989-1981	AOT (AOD): long boot	
Seal		7692S
Seal Kit		5202 ⁶⁴
1988-1987	A4LD	
Seal		2655

Selector Shaft Seal/Man. Shaft

1987-1981		
Seal		7929S

CLUTCH

Pilot Bearing

1989	3.8 6-cylinder	
Needle Bearing		FC65174
1988-1983	2.3 4-cylinder turbo	
Needle Bearing		FC65354
1957-1955	292, 312 engines	
Bearing		203S
1957-1955	352, 430 engines	
Bushing		PB50D
Bushing H/D		PB50DHD

Release Bearing

1957-1955	exc. H/D	
Bearing Only		1625

3-SPEED MANUAL TRANSMISSION

Front Input Shaft

1960-1956	Warner T85	
Seal		482208
Bearing		307L
Kwik Slv (Opt Rpr)		KWK99112
1960-1955	Warner T86	
Seal		450326
Bearing		207L
Kwik Slv (Opt Rpr)		KWK99149
1960-1955	Ford L/D	
Seal		482208
Bearing		208SL
Kwik Slv (Opt Rpr)		KWK99112

Mainshaft Pilot

1960-1956	Warner T85	
Needle Bearing		W1518Q[14]
1960-1955	Warner T86	
Needle Bearing		QAR35319[21]
1960-1955	Ford L/D	
Needle Bearing		QBR23549[15]

Countershaft

1960-1956	Warner T85	
Needle Bearing		S443Q[80]
1960-1955	Warner T86	
Needle Bearing		C407Q[44]
1960-1955	Ford L/D	
Needle Bearing		C407Q[44]

Rear Output Shaft

1960-1956	Warner T85	
Seal		470059
Bearing		307L
Seal Kit		5201 ⁶⁴
1960-1955	Warner T86	
Seal		470059
Bearing		207L
Seal Kit		5201 ⁶⁴
1960-1955	Ford L/D	
Seal		470059
Bearing		208SL
Seal Kit		5201 ⁶⁴

Selector Shaft Seal/Man. Shaft

1960-1955	Warner T85, T86	
Seal		340797
Kwik Slv (Opt Rpr)		KWK99059

5-SPEED MANUAL TRANSMISSION

Front Input Shaft

1989	Mazda	
Seal		223012
Kwik Slv (Opt Rpr)		KWK99114
1988-1987	Warner(exc. 4 cyl.)	
Seal		7412S
Set		SET5
Kwik Slv (Opt Rpr)		KWK99125
Needle Bearing Thrust		FA55505
1988-1987	Warner (4cyl.)	
Seal		7412S
Cone/Cup		M88048-M88010
Kwik Slv (Opt Rpr)		KWK99125
Needle Bearing Thrust		FA55505
1986-1983	Warner	
Seal		7412S
Set		SET5
Kwik Slv (Opt Rpr)		KWK99125
Needle Bearing Thrust		FA55505

FORD - REAR DRIVE - Thunderbird (cont.)

5-SPEED MANUAL TRANSMISSION

Countershaft

1989	Mazda M5R2	
	Cyl. Bearing (center)	MR1207EL
	Bearing (rear)	304WB
1988-1985	Warner T5 World Class	
	Cone/Cup (front)	LM67048-LM67010BCE
	Set (rear)	SET6
	Needle Bearing Thrust	NTA1423
1984-1983	Warner T15	
	Needle Bearing (front)	DK55836
	Cyl. Bearing (rear)	5707
	Needle Bearing Thrust	NTA1423

Mainshaft Pilot

1988-1983	Warner T5, T5 World Class	
	Needle Bearing	QBR23549[15]

Mainshaft 1st Speed Gear

1988-1985	Warner T5 World Class	
	Needle Bearing	F218255

Mainshaft 2nd Speed Gear

1988-1985	Warner T5 World Class	
	Needle Bearing	F93934

Rear Output Shaft

1988-1983	Warner T5, T5 World Class	
	Seal	7692S
	Cone/Cup	25877-25821
	Seal Kit	5202 ⁶⁴

Extension Housing

1989	Mazda M5R2	
	Seal	710415

OVERDRIVE UNIT

Output Shaft

1960-1956	Warner R11	
	Seal	473234
	Bearing	207L
1960-1955	Warner R10	
	Seal	470059
	Seal Kit	5201 ⁶⁴

Selector Shaft Seal/Man. Shaft

1960-1955	Warner R10, R11	
	Seal	340797
	Kwik Slv (Opt Rpr)	KWK99059

Free Wheel Cam

1960-1955	Warner R10	
	Needle Bearing	W585Q[12]

OVERDRIVE UNIT

Solenoid

1960-1955	Warner R10, R11	
	Seal	240698

A/C COMPRESSOR

1989	Nippondenso FX 15 (axial)	
	Bearing	5106WCC
1989-1983	Ford FS6 (axial)	
	Bearing	5000KFF
1989-1982	Nippondenso 6P148 (axial)	
	Bearing	5001KFF
1989-1973	Frigidaire A6 (axial drive compressor)	
	Bearing	907257
1988-1984	Tecumseh HR980 (radial)	
	Bearing	5000KFF
1981-1960	Tecumseh; York; (axial)	
	Bearing	5106WCC

ALTERNATOR

1989-1963	Motorcraft	
	Bearing (drive end)	203FF
1989-1963	Motorcraft	
	Bearing (rear end)	MNJ471S

POWER STEERING

Input Shaft

1989-1983		
	Seal	471645
	Needle Bearing	FC65753
1982-1980	Ford design	
	Seal	471645
	Needle Bearing	FC65753

Pitman Shaft

1982-1980	TRW design	
	Seal	240733
1979-1977	Saginaw design	
	Seal Kit	PSK1 ²⁴

Pump Shaft

1989-1983		
	Seal	8773S
1982-1965	Ford pump	
	Seal	8773S
1979-1977	Saginaw pump	
	Seal	7013S
1967-1955	Eaton pump	
	Seal	6835S

Worm Shaft

1989-1985		
	Bearing	201CC
1984-1980		
	Bearing	201CC
	Needle Bearing Thrust	NTA1423
1979-1975	Ford design	
	Seal	471465
	Bearing	201CC

[] Indicates Quantity Required; Set Components Listed Inside Rear Cover;

²⁴ Opt. Kit incl. seals 5683 & 5684. Not sold separately

⁶⁴ Opt. Seal and Bushing Kit

Bearings and Seals

Mfg./Year Model & Location Part No Mfg./Year Model & Location Part No

FORD - REAR DRIVE - Thunderbird (cont.)

MANUAL STEERING

Pitman Shaft

1960-1958		
Seal		340151
1957-1956	(3 tooth type)	
Seal		240356
1956-1955	Saginaw design	
Seal		240151

Sector Shaft

1973-1966	Saginaw design	
Seal		340151
Needle Bearing		B1816

Worm Shaft

1973-1962	Saginaw design	
Bearing		8537[2]

AUXILIARY SHAFT

4 Cylinder

1988-1983	140/2.3L	
Seal		2955

CAMSHAFT SEAL

4 Cylinder

1988-1983	140/2.3L	
Seal		2955

CRANKSHAFT REAR SEAL

4 Cylinder

1988-1983	140/2.3L	
Seal Viton		3909
Seal PTFE H/D Opt.		5277
Kwik Slv (Opt Rpr)		KWK99363

6 Cylinder

1989-1983	232/3.8L from 12/31/82	
Seal Viton		3909
Seal PTFE H/D Opt.		5277
Kwik Slv (Opt Rpr)		KWK99363
1983	232/3.8L to 12/31/82	
Seal Rope		5095
Seal Split Opt.		5108
1982	232/3.8L	
Seal Rope		5095
Seal Split Opt.		5108
1982-1980	200/3.3L	
Seal Rope		5095
Seal Split Opt.		5116

8 Cylinder

1989-1984	281/4.6L, 302/5.0L	
Seal Viton		3909
Seal PTFE H/D Opt.		5277
Kwik Slv (Opt Rpr)		KWK99363

CRANKSHAFT REAR SEAL (cont.)

8 Cylinder (cont.)

1983	302/5.0L Thru 11/82	
Seal Rope		5095
Seal Split Opt.		5108
Kwik Slv (Opt Rpr)		KWK99372
1983	302/5.0L From 12/82	
Seal Viton		3909
Seal PTFE H/D Opt.		5277
Kwik Slv (Opt Rpr)		KWK99363
1982-1980	255/4.2L, 302/5.0L	
Seal Rope		5095
Seal Split Opt.		5108
1979-1977	302/5.0L, 351/5.8 (W)	
Seal Rope		5095
Seal Split Opt.		5108
1979-1977	351/5.8 (M), 400/6.6	
Seal Rope		5095
Seal Split Opt.		5117
1976-1968	429/7.0, 460/7.5	
Seal Rope		5095
Seal Split Opt.		5118
1968-1958	352/5.8, 390/6.4, 428/7.0	
Seal Rope		5095
Seal Split Opt.		5112S

TIMING COVER

4 Cylinder

1988-1983	140/2.3L	
Seal		2955

6 Cylinder

1989-1983	232/3.8L	
Seal (front)		2692
Seal (rear)		2942
Kwik Slv (Opt Rpr)		KWK99187
Harmonic Balancer		
Sleeves		88187
1982-1980	200/3.3L	
Seal		7486S
Kwik Slv (Opt Rpr)		KWK99174

8 Cylinder

1989-1958		
Seal (front entry)		2692
Seal (rear entry)		2942
Kwik Slv (Opt Rpr)		KWK99187
Harmonic Balancer		
Sleeves		88187
1957-1955		
Seal		350936
Kwik Slv (Opt Rpr)		KWK99187
Harmonic Balancer		
Sleeves		88187

Mfg./Year Model & Location Part No Mfg./Year Model & Location Part No

FORD - ANTIQUE - Model B

FRONT WHEEL

1932 all
 Cone/Cup (inner) 15118-15250X[2]
 Cone/Cup (outer) 09074-09196[2]

REAR AXLE

Differential

1932 all
 Cone/Cup 28156-28317[2]

REAR AXLE

Pinion

1932 all
 Cone/Cup (inner) 28156-28314XD
 Cone/Cup (outer) 28156-28314XD

FORD - ANTIQUE - Model T

FRONT WHEEL

1927-1908 left side
 Cone/Cup (inner) 14120-14273[2]
 Cone/Cup (outer) 09075-09194[2]

1927-1908 right side
 Cone/Cup (inner) 14120-14273[2]
 Cone/Cup (outer) 09076-09194[2]

FORD IMPORT - British, German, Korean, Brazilian Models

FRONT WHEEL

1982-1976 Fiesta, S
 Seal (inner) 3723[2]
 Set (inner) SET22³²
 Set (outer) SET22³²

1979-1971 Cortina: exc. Lotus, Twin Cam,
 GT, 1600
 Set (inner) SET4
 Set (outer) SET1

1979-1968 Cortina GT, 1600
 Set (inner) SET4
 Set (outer) SET1

1979-1964 Cortina Lotus
 Seal (inner) 1192[2]
 Set (inner) SET21
 Set (outer) SET2

1979-1964 Cortina Twin Cam
 Seal (inner) 1192[2]
 Set (inner) SET21
 Set (outer) SET2

1978-1969 Capri
 Seal (inner) 1192[2]
 Set (inner) SET21
 Set (outer) SET2

1978-1968 Escort exc. Twin Cam, RS2000
 Set (inner) SET4
 Set (outer) SET1

1978-1968 Escort Twin Cam, RS2000
 Seal (inner) 1192[2]
 Set (inner) SET21
 Set (outer) SET2

1975-1965 Corsair
 Seal (inner) 1192[2]
 Set (inner) SET21
 Set (outer) SET2

FRONT WHEEL (cont.)

1972-1963 Consul
 Seal (inner) 2551[2]
 Set (inner) SET21
 Set (outer) SET2

1972-1962 Zephyr
 Set (inner) SET21
 Set (outer) SET2

1972-1962 Zodiac
 Set (inner) SET21
 Set (outer) SET2

1968-1955 Anglia
 Cone/Cup 03062-03162[2]

1966-1960 Popular, Prefect
 Cone/Cup (inner) 07100S-07210X[2]
 Cone/Cup (outer) 03062-03162[2]

1962-1961 Consul
 Seal (inner) 1192[2]
 Set (inner) SET21
 Set (outer) SET2

REAR WHEEL

1982-1976 Fiesta
 Seal (inner) 3395[2]
 Set (inner) SET4
 Set (outer) SET1

1978-1969 Capri
 Bearing RW109R[2]

1973-1968 Escort
 Bearing RW109R[2]

1970-1967 Cortina
 Bearing RW109R[2]

1968-1955 Anglia
 Bearing RW109R[2]

[] Indicates Quantity Required; Set Components Listed Inside Rear Cover;

³² Set 22 contains 2 cups & 2 cones - replacing both inner and outer bearings on Ford Imports

Bearings and Seals

Mfg./Year Model & Location Part No Mfg./Year Model & Location Part No

FORD IMPORT - British, German, Korean, Brazilian Models (cont.)

REAR WHEEL (cont.)

1966-1962	Cortina	
Bearing	88506[2]
1965-1963	Corsair	
Bearing	88506[2]
1965-1962	Zephyr	
Bearing	209S[2]
1965-1962	Zodiac Mk. III	
Bearing	209S[2]
1961-1955	Zephyr	
Bearing	209BB[2]
1961-1955	Zodiac	
Bearing	209BB[2]
1960-1955	Consul	
Bearing	209BB[2]
1954	Consul	
Bearing	208[2]

REAR AXLE

Differential

1972-1963	Cortina	
Cone/Cup	LM48549X-LM48510[2]
1970-1969	Capri	
Cone/Cup	LM48549X-LM48510[2]
1968-1959	Anglia	
Cone/Cup	LM48549X-LM48510[2]
1965-1959	Prefect	
Cone/Cup	LM48549X-LM48510[2]
1962-1956	Consul Series	
Cone/Cup	LM48549X-LM48510[2]
1961-1956	Zodiac	
Cone/Cup	16150-16284[2]
1961-1956	Zephyr	
Cone/Cup	16150-16284[2]
1960-1958	Taurus	
Cone/Cup	16150-16283[2]
1958-1955	Anglia	
Cone/Cup	14138A-14276[2]
1958-1953	Prefect	
Cone/Cup	14138A-14276[2]

Pinion

1978-1970	Capri: England with Salisbury axle	
Cone/Cup (inner)	M88043-M88011
Cone/Cup (outer)	HM89449-HM89410
1978-1970	Capri: England with Banjo axle	
Cone/Cup (inner)	M88043-M88011
Cone/Cup (outer)	M88043-M88011
1978-1969	Capri: Germany	
Cone/Cup (inner)	M88043-M88011
Cone/Cup (outer)	M88043-M88011
1972-1971	Cortina: 1600 GT	
Cone/Cup (inner)	HM89449-HM89410
Cone/Cup (outer)	HM88542-HM88510
1972-1971	Cortina: 1600	
Cone/Cup (inner)	HM88649-HM88610
Cone/Cup (outer)	M86647-M86610

REAR AXLE (cont.)

Pinion (cont.)

1970-1963	Cortina Series	
Cone/Cup (inner)	M88043-M88011
Cone/Cup (outer)	M88043-M88011
1970-1963	Cortina Series	
Cone/Cup (inner)	M88043-M88011
Cone/Cup (outer)	M88043-M88011
1968-1955	Anglia	
Cone/Cup (inner)	M88043-M88011
Cone/Cup (outer)	M88043-M88011
1965-1962	Zodiac	
Cone/Cup (inner)	HM801346-HM801310
Cone/Cup (outer)	HM88547-HM88510
1965-1962	Zephyr	
Cone/Cup (inner)	HM801346-HM801310
Cone/Cup (outer)	HM88547-HM88510
1965-1959	Prefect	
Cone/Cup (inner)	M88043-M88010
Cone/Cup (outer)	M88043-M88010
1962-1956	Consul Corsair	
Cone/Cup (inner)	HM801346-HM801310
Cone/Cup (outer)	HM88542-HM88510
1961-1956	Zodiac	
Cone/Cup (inner)	HM803146-HM803110
Cone/Cup (outer)	HM88542-HM88510
1961-1956	Zephyr	
Cone/Cup (inner)	HM803146-HM803110
Cone/Cup (outer)	HM88542-HM88510
1960-1958	Taurus	
Cone/Cup (outer)	02473-02420

CLUTCH

Pilot Bearing

1972-1966	Zephyr, Zodiac	
Bearing	207LO
1968-1955	Anglia	
Bearing	203S
1966-1960	Popular, Prefect	
Bearing	203S
1962-1954	Consul	
Bearing	207LO

Release Bearing

1989-1988	Festiva	
Bearing Assy	614107
1989-1980	Orion	
Bearing Assy	614011
1986-1976	Fiesta, S, XR2	
Bearing Assy	614011
1979-1960	Cortina 1200, 1500	
Bearing Only	1375
1978-1969	Capri	
Bearing Only	1375
1975-1963	Corsair, Consul Corsair	
Bearing Only	1375
1968-1955	Anglia	
Bearing Only	1375
1966-1960	Popular	
Bearing Only	1505
1966-1960	Prefect	
Bearing Only	1375

FORD IMPORT - British, German, Korean, Brazilian Models (cont.)

CLUTCH (cont.)

Release Bearing (cont.)

1965-1962	Zephyr	
	Bearing Only	1505
1965-1962	Zodiac Mk. III	
	Bearing Only	1505

FORD IMPORT - Festiva

FRONT WHEEL

1989-1988		
	Seal (inner)	4990[2]
	Set (inner)	SET11
	Seal (outer)	710323[2]
	Set (outer)	SET11

REAR WHEEL

1989-1988		
	Seal (inner)	1126S[2]
	Set (inner)	SET4
	Set (outer)	SET1

CLUTCH

Pilot Bearing

1989-1988		
	Bearing	202SS

Release Bearing

1989-1988		
	Bearing Assy	614127

3-SPEED AUTOMATIC TRANSAXLE

Torque Converter

1989-1988		
	Seal	1012N
	Kwik Slv (Opt Rpr)	KWK99177

Output Shaft

1989-1988		
	Seal	2007N[2]
	Kwik Slv (Opt Rpr)	KWK99139[2]

Differential

1989-1988		
	Bearing Assy	32008XM[2]

4-SPEED MANUAL TRANSAXLE

Differential

1989-1988		
	Set	SET13[2]

4-SPEED MANUAL TRANSAXLE

Input Shaft

1989-1988		
	Seal	222238
	Kwik Slv (Opt Rpr)	KWK99085

Output Shaft

1989-1988		
	Seal (LH)	223543
	Set (LH)	SET3
	Kwik Slv (Opt Rpr)	KWK99139
	Seal (RH)	2007N
	Bearing Assy (RH)	32204
	Kwik Slv (Opt Rpr)	KWK99139

Selector Shaft Seal/Man. Shaft

1989-1988		
	Seal	221620

CAMSHAFT SEAL

4 Cylinder

1989-1988	1324cc/1.3L	
	Seal	223012
	Kwik Slv (Opt Rpr)	KWK99114

CRANKSHAFT REAR SEAL

4 Cylinder

1989-1988	1324cc/1.3L	
	Seal	228250
	Kwik Slv (Opt Rpr)	KWK99328

Bearings and Seals

Mfg./Year Model & Location Part No Mfg./Year Model & Location Part No

FORD IMPORT - Fiesta

FRONT WHEEL

1980-1978
 Seal (inner) 3723[2]
 Set (inner) SET22³²
 Seal (outer) 3743[2]
 Set (outer) SET22³²

REAR WHEEL

1980-1978
 Seal (inner) 3395[2]
 Set (inner) SET4
 Set (outer) SET1

CLUTCH

Release Bearing

1980-1978 all
 Bearing Assy 614011

4-SPEED MANUAL TRANSAXLE

Differential

1980-1978
 Seal 3392[2]
 Cone/Cup LM29749-LM29711[2]
 Kwik Slv (Opt Rpr) KWK99157[2]

4-SPEED MANUAL TRANSAXLE

Output Shaft

1980-1978
 Seal 224020[2]
 Kwik Slv (Opt Rpr) KWK99157[2]
 Bearing (rear) 305L

CRANKSHAFT REAR SEAL

4 Cylinder

1980-1978 98/1.6L
 Seal Viton 3393
 Seal PTFE H/D Opt. 5288
 Kwik Slv (Opt Rpr) KWK99237

TIMING COVER

4 Cylinder

1980-1978 98/1.6L
 Seal 3394
 Kwik Slv (Opt Rpr) KWK99144

FORD TRUCK - LT TRUCK & LT SUV - Aerostar, Bronco II, Explorer, Ranger

FRONT WHEEL

2WD

1989-1983 Aerostar
 Seal (inner) 6815[2]
 Set (inner) SET6
 Set (outer) SET2
1989-1982 Ranger
 Seal (inner) 6815[2]
 Set (inner) SET6
 Set (outer) SET2
1989-1983 Bronco II
 Seal (inner) 6815[2]
 Set (inner) SET6
 Set (outer) SET2

4WD

1989-1983 Bronco II: Dana/Spicer 28 axle
 Seal (inner) 8312S[2]
 Set (inner) SET45
 Set (outer) SET45
1989-1983
 Seal (inner) 8312S[2]
 Set (inner) SET45
 Set (outer) SET45

REAR WHEEL

1989-1982 Ranger: 7.5" ring gear
 Seal 8660S[2]
 Cyl. Bearing 5707[2]
 Kit TRP1563TAV[2]¹⁹

REAR WHEEL (cont.)

1989-1984 Ranger: 8.8" ring gear
 Seal 8835S[2]
 Cyl. Bearing 6408[2]
 Kit TRP1559TV[2]¹⁹
1989-1984 Aerostar: 7.5" ring gear
 Seal 8660S[2]
 Cyl. Bearing 5707[2]
 Kit TRP1563TAV[2]¹⁹
1989-1987 Aerostar: Dana/Spicer 30 axle
 Seal 2146[2]
 Set SET9
1989-1983 Bronco II
 Seal 8660S[2]
 Cyl. Bearing 5707[2]
 Kit TRP1563TAV[2]¹⁹
1984-1982 Ranger: 6.7" ring gear
 Seal 9569S[2]
 Bearing RW207CCRA[2]

4WD FRONT AXLE

Axle Shaft

1989-1983 Dana/Spicer 28IFS axle
 Seal (LH) 3543
 Seal (RH) 710065

254 [] Indicates Quantity Required; Set Components Listed Inside Rear Cover;

¹⁹ Opt. Axle Repair Bearing. Replaces O.E. bearing & seal.
 both inner and outer bearings on Ford Imports

³² Set 22 contains 2 cups & 2 cones - replacing

**FORD TRUCK - LT TRUCK & LT SUV - Aerostar, Bronco II, Explorer, Ranger
(cont.)**

4WD FRONT AXLE

Differential Rebuild Kit

1989-1983 Dana/Spicer 28 axles
KitDRK333

Differential

1989-1983 Dana/Spicer 28 axles
Cone/Cup LM29749-LM29710[2]

Pinion

1989-1983 Dana/Spicer 28 axles
Cone/Cup (inner) M88048-M88010
Seal (outer)4244
Cone/Cup (outer) M86649-M86610

Spindle Kit

1989-1983 Dana/Spicer 28IFS axle
Bearing & Seal Kit SBK2³⁴

Spindle

1989-1983 Dana/Spicer 28IFS axle
Seal (inner) 340835[2]
Needle Bearing (inner) SCE188[2]
Seal (outer) 8314S[2]

REAR AXLE

Differential Rebuild Kit

1989-1983 7.5" ring gear
KitDRK315
1989-1983 8.8" ring gear
KitDRK311
1989-1983 Dana/Spicer 28 axle
KitDRK333
1989-1986 Dana/Spicer 30 axle
KitDRK338

Differential

1989-1983 7.5" ring gear
Cone/Cup LM501349-LM501314[2]
1989-1983 8.8" ring gear
Set SET36[2]
1989-1986 Dana/Spicer 30 axle
Cone/Cup LM501349-LM501314[2]

Pinion

1989-1983 7.5", 8.8" ring gears
Cone/Cup (inner) M802048-M802011
Seal Viton (outer) 3604
Cone/Cup (outer) M88048-M88010
1989-1986 Dana/Spicer 30 axle
Cone/Cup (inner) HM88649-HM88610
Seal Viton (outer) 5778V
Cone/Cup (outer) M86647-M86610

TRANSFER CASE REBUILD KIT

1989 Aerostar
KitTCRK28

TRANSFER CASE REBUILD KIT (cont.)

1989-1987 Warner 1359
KitTCRK1359
1989-1983 Warner 1350 exc. external yoke
KitTCRK1350

TRANSFER CASE

Input Shaft

1989-1987 Warner 1359
Seal 710062
Bearing 109FFL
Kwik Slv (Opt Rpr)KWK99175
Needle Bearing (pilot) M18161
1989-1983 Warner 1350
Seal 710062
Bearing 109L
Kwik Slv (Opt Rpr)KWK99175
Needle Bearing (pilot) M18161

Front Output Shaft

1989-1987 Warner 1350 (external yoke)
Bearing (inner)206WB
Seal (outer)710402
Bearing (outer) 108TB
1989-1987 Warner 1350 (exc. external yoke)
Bearing (inner)206WB
Seal (outer)4141
Bearing (outer) 108TB
Kwik Slv (Opt Rpr)KWK99157
1986-1983 Warner 1350
Bearing (inner)206WB
Seal (outer)4141
Bearing (outer) 108TB
Kwik Slv (Opt Rpr)KWK99157

Rear Output Shaft

1989-1983 Warner 1350, 1354
Seal4143
Bearing206WB
Needle Bearing (pilot)JH1612
1989-1987 Warner 1359
Seal4143
Bearing206WB
Kwik Slv (Opt Rpr)KWK99175

Selector Shaft Seal/Man. Shaft

1989-1983
Seal330385

TRANSMISSION REBUILD KIT

1989-1988 Mazda M5R1
Kit TRK247
1989-1988 Miitsubishi FM146
Kit TRK50
1987-1983 Toyo Kogyo TK5 (gas)
Kit TRK12
1986-1983 Toyo Kogyo TK5D (diesel)
Kit TRK12B

[] Indicates Quantity Required; Set Components Listed Inside Rear Cover;
³⁴ Opt. Kit incl: Bearing SCE148; Seal 8314S

Bearings and Seals

Mfg./Year Model & Location Part No Mfg./Year Model & Location Part No

FORD TRUCK - LT TRUCK & LT SUV - Aerostar, Bronco II, Explorer, Ranger *(cont.)*

3-SPEED AUTOMATIC TRANSMISSION

Torque Converter

1985-1983	C5	
Seal	331107N
Kwik Slv (Opt Rpr)	KWK99199
1985-1983	C3	
Seal	2658

Rear Seal/Ext. Housing

1985-1983	C5	
Seal	7692S
Seal Kit	5202 ⁶⁴
1985-1983	C3	
Seal	2655

Selector Shaft Seal/Man. Shaft

1985-1983	C5	
Seal	240816
Kwik Slv (Opt Rpr)	KWK99076
1985-1983	C3	
Seal	7929S

4-SPEED AUTOMATIC TRANSMISSION

Torque Converter

1989-1985	A4LD, 4R44E, 4R55E	
Seal	2658

Rear Seal/Ext. Housing

1989-1985	A4LD, 4R44E, 4R55E	
Seal	2655

Selector Shaft Seal/Man. Shaft

1989-1985		
Seal	7929S

CLUTCH

Pilot Bearing

1989-1983	4-cylinder: exc. diesel	
Needle Bearing	FC65354
1989-1986	6-cylinder: 3.0	
Needle Bearing	FC65354
1989-1983	6-cylinder: 2.8, 2.9: Mitsubishi trans	
Bushing	PB52
1989-1983	6-cylinder: 2.8, 2.9: Mazda trans	
Needle Bearing	F33126
1984-1983	4-cylinder diesel	
Bearing	202SS

Release Bearing

1989-1988	hydraulic piston type	
Bearing Assy	614061
1987-1985	all	
Bearing Assy	614040
1984-1983	2.2 diesel	
Bearing Assy	614067

CLUTCH (cont.)

Release Bearing (cont.)

1984-1982	exc. 2.2 diesel	
Bearing Assy	614014

4-SPEED MANUAL TRANSMISSION

Transmission Rebuild Kit

1986-1983	Mazda/Toyo Kogyo (gas)	
Kit	TRK12C
1986-1983	Mazda/Toyo Kogyo (diesel)	
Kit	TRK12A

Input Shaft

1984-1983	Mazda/Toyo Kogyo 4E, 4TB	
Seal	1990
Bearing	306L
Kwik Slv (Opt Rpr)	KWK99106

Countershaft

1984-1983	Mazda/Toyo Kogyo, 4TB	
Bearing (front)	5205KLE
1984-1983	Mazda/Toyo Kogyo, 4E	
Bearing (front)	205FF
Bearing (rear)	304WB

Rear Output Shaft

1984-1983	Mazda/Toyo Kogyo 4E, 4TB	
Seal	2443
Bearing	306L

5-SPEED MANUAL TRANSMISSION

Transmission Rebuild Kit

1989-1988	FM 146	
Kit	TRK50
1989-1987	M5R1	
Kit	TRK247
1989-1985	FM 145	
Kit	TRK50

Front Input Shaft

1989-1988	Mazda M5R1	
Seal	1990
Kwik Slv (Opt Rpr)	KWK99106
1989-1984	Mitsubishi	
Seal	223014
Kwik Slv (Opt Rpr)	KWK99114
1987-1983	Mazda 5D, 5E, 5TB	
Seal	1990
Bearing	306L
Kwik Slv (Opt Rpr)	KWK99106

**FORD TRUCK - LT TRUCK & LT SUV - Aerostar, Bronco II, Explorer, Ranger
(cont.)**

5-SPEED MANUAL TRANSMISSION

Countershaft

1989-1984	Mitsubishi	
	Cone/Cup (rear)	XAA30205-YAA30205
	Cone/Cup (center)	XAA30205-YAA30205
1987-1983	Mazda 5D, 5E, 5TB	
	Bearing (front)	5205KLE
	Bearing (rear)	304WB

Intermediate Shaft

1987-1983	Mazda 5E, 5TB	
	Bearing	306L

Rear Output Shaft

1989-1988	Mazda M5R1 (4WD)	
	Seal	1981
1989-1988	Mazda M5R1 (2WD)	
	Seal	7692S
1989-1984	Mitsubishi	
	Seal	223608
	Bearing	206L
1987-1983	Mazda 5D, 5TB	
	Seal	2443
1984-1983	Mazda 5E	
	Seal	2443
	Bearing	305AG

DRIVESHAFT SUPPORT

1989-1985	Spicer 1210: 1.2595" (32mm) bearing ID	
	Hanger Bearing Assy	HB106FF

AUXILIARY SHAFT

4 Cylinder

1989-1983	122/2.0, 140/2.3, 150/2.5	
	Seal	2955

BALANCE SHAFT

4 Cylinder

1987-1985	2346cc/2.3L (diesel)	
	Seal Viton	712007
	Kwik Slv (Opt Rpr)	KWK99098

CAMSHAFT SEAL

4 Cylinder

1989-1983	122/2.0, 140/2.3, 150/2.5	
	Seal	2955
1987-1985	2346cc/2.3L (diesel)	
	Seal	3771
	Kwik Slv (Opt Rpr)	KWK99139

CRANKSHAFT REAR SEAL

4 Cylinder

1989-1983	122/2.0L, 140/2.3L, 150/2.5L	
	Seal Viton	3909
	Seal PTFE H/D Opt.	5277
	Kwik Slv (Opt Rpr)	KWK99363
1987-1985	2346cc/2.3L (diesel)	
	Seal Viton	228005
	Kwik Slv (Opt Rpr)	KWK99315
1984-1983	2209cc/2.2L (diesel)	
	Seal	710061
	Kwik Slv (Opt Rpr)	KWK99399

6 Cylinder

1989-1986	183/3.0L	
	Seal Viton	3909
	Seal PTFE H/D Opt.	5287
1989-1984	171/2.8L, 177/2.9, 244/4.0L	
	Seal Viton	3393
	Seal PTFE H/D Opt.	5288
	Kwik Slv (Opt Rpr)	KWK99237

TIMING COVER

4 Cylinder

1989-1983	122/2.0L, 140/2.3L, 150/2.5L	
	Seal	2955
1987-1985	2346cc/2.3L (diesel)	
	Seal	224460
1984-1983	2209cc/2.2L (diesel)	
	Seal	8316N
	Kwik Slv (Opt Rpr)	KWK99199
	Harmonic Balancer	
	Sleeves	88199

6 Cylinder

1989-1986	183/3.0L	
	Seal (front entry)	2692
	Kwik Slv (Opt Rpr)	KWK99187
	Harmonic Balancer	
	Sleeves	88187
1989-1983	171/2.8L, 177/2.9, 244/4.0L	
	Seal Viton	2012V
	Kwik Slv (Opt Rpr)	KWK99166

Bearings and Seals

Mfg./Year Model & Location Part No Mfg./Year Model & Location Part No

FORD TRUCK - LT TRUCK & LT SUV - Courier

FRONT WHEEL

1982-1972
 Seal (inner) 1992[2]
 Bearing Assy (inner) 30206M[2]
 Bearing Assy (outer) 30204M[2]

REAR WHEEL

1982-1972
 Seal (inner) 473823[2]
 Seal (outer) 1994[2]
 Bearing Assy (outer) 30208M[2]

REAR AXLE

Pinion

1982-1972
 Bearing Assy (inner) 30307M
 Seal (outer) 712011
 Bearing Assy (outer) 30306M

3-SPEED AUTOMATIC TRANSMISSION

Torque Converter

1982-1972
 Seal Viton 2025
 Kwik Slv (Opt Rpr) KWK99166

Rear Seal/Ext. Housing

1982-1972
 Seal 3771

CLUTCH

Pilot Bearing

1982-1977 2.3 litre
 Needle Bearing FC65354
1982-1972 exc. 2.3 litre engine
 Bearing 202SS

Release Bearing

1982-1979
 Bearing Assy 614067
1978-1972
 Bearing Only FC1723C

4-SPEED MANUAL TRANSMISSION

Input Shaft

1982-1972
 Seal 1990
 Bearing 306L
 Kwik Slv (Opt Rpr) KWK99106

Countershaft

1982-1972 Mazda
 Bearing 5205KLE

4-SPEED MANUAL TRANSMISSION

Rear Output Shaft

1982-1972
 Seal 2443
 Bearing 306L

5-SPEED MANUAL TRANSMISSION

Front Input Shaft

1982-1976
 Seal 1990
 Bearing 307L
 Kwik Slv (Opt Rpr) KWK99106

Intermediate Shaft

1982-1976 Mazda
 Bearing 306L

Rear Output Shaft

1982-1976
 Seal 2443
 Bearing 305AG

DRIVESHAFT SUPPORT

1982-1973 1.8 engine: 0.9843" bearing ID
 Bearing 205BB

CAMSHAFT SEAL

4 Cylinder

1979-1977 2300/2.3L
 Seal 2955

CRANKSHAFT REAR SEAL

4 Cylinder

1982-1980 2300/2.3L
 Seal Rope 5095
 Seal Split Opt. 5108
1982-1979 2000cc/2.0L
 Seal 228020
 Kwik Slv (Opt Rpr) KWK99315
1979-1977 2300/2.3L
 Seal Rope 5095
 Seal Split Opt. 5108
1978-1972 1800cc/1.8L
 Seal 228020
 Kwik Slv (Opt Rpr) KWK99315

TIMING COVER

4 Cylinder

1982-1979 2000cc/2.0L
 Seal 1994
 Kwik Slv (Opt Rpr) KWK99189
1982-1977 140/2.3L
 Seal 2955
1978-1972 1800cc/1.8L
 Seal 1994
 Kwik Slv (Opt Rpr) KWK99189

FORD TRUCK - FULL SIZE SUV - Bronco - Full-Size

FRONT WHEEL

1989-1987	manual locking front hubs	
Seal (inner)	710091[2]
Set (inner)	SET38
Set (outer)	SET45
1989-1987	auto locking front hubs	
Seal (inner)	4250[2]
Set (inner)	SET37
Set (outer)	SET45
1986-1969	production from chassis #F30,002 on	
Seal (inner)	4250[2]
Set (inner)	SET37
Set (outer)	SET45
1969-1966	production thru chassis #F30,001	
Seal (inner)	442380[2]
Set (inner)	SET37
Set (outer)	SET45

REAR WHEEL

1989-1983	8.8" ring gear (Sterling axle)	
Seal	8835S[2]
Cyl. Bearing	6408[2]
Kit	TRP1559TV[2] ¹⁹
1987-1978	9" ring gear	
Seal	3195[2]
Set	SET20
1983-1980	2800 lb. axle	
Seal	51098[2]
Bearing	88128RAP[2]
1977-1973	3300 lb. axle	
Seal	51098[2]
Bearing	514003P[2]
1977-1969	2780 lb. axle	
Seal	9568[2]
Bearing	RW207CCRA[2]
1977-1969	2900 lb. axle	
Seal	9568[2]
Bearing	RW207CCRA[2]
1972-1966	3300 lb. axle	
Seal	51098[2]
Bearing	514003P[2]
1968-1966	2780 lb. axle	
Seal	6939[2]
Bearing	RW207CCRA[2]

4WD FRONT AXLE

Differential Rebuild Kit

1989-1967	Kit	DRK339B
------------------	-----	-------	---------

Differential

1989-1967	Cone/Cup	25590-25523[2]
1966	Cone/Cup	25577-25523[2]

4WD FRONT AXLE

Pinion

1989-1971	production from chassis #K20002 on	
Cone/Cup (inner)	31594-31520
Seal (outer)	5778
Cone/Cup (outer)	02872-02820
1971-1966	production from chassis #816002 thru #K20001	
Cone/Cup (inner)	HM88649-HM88610
Seal (outer)	5778
Cone/Cup (outer)	02872-02820
1966	production thru chassis #816001	
Cone/Cup (inner)	HM88649-HM88610
Seal (outer)	5778
Cone/Cup (outer)	M86647-M86610

Spindle Kit

1989-1985	Bearing & Seal Kit	SBK4 ³⁶
1984	early non-bonded V-ring		
Bearing & Seal Kit	SBK1 ³³	
1984	late bonded V-ring		
Bearing & Seal Kit	SBK4 ³⁶	
1983-1973	Bearing & Seal Kit	SBK1 ³³

Spindle

1989-1980	Seal (inner)	722108[2]
	Needle Bearing (inner)	B2110[2]
	Seal (outer)	722109[2]

Steering Knuckle

1972-1966	Seal	204005S[2]
	Cone/Cup	11590-11520[2]

REAR AXLE

Differential Rebuild Kit

1989-1983	8.8" ring gear	
Kit	DRK311
1986-1971	9" ring gear: production from 5/11/1970 on	
Kit	DRK313
1970-1966	9" ring gear: production thru 5/10/1970	
Kit	DRK312

Differential

1989-1983	8.8" ring gear	
Set	SET36[2]
1986-1984	9" ring gear	
Set	SET47[2]
1982-1976	9" ring gear	
Set	SET47[2]

[] Indicates Quantity Required; Set Components Listed Inside Rear Cover;

¹⁹ Opt. Axle Repair Bearing. Replaces O.E. bearing & seal. ³³ Opt. Kit incl: Bearing B2110; Seals 722108 & 722109 ³⁶ Opt. Kit incl: Bearing B2110; Seals 722108 & 722109; Ring/not sold separately

Bearings and Seals

Mfg./Year Model & Location Part No Mfg./Year Model & Location Part No

FORD TRUCK - FULL SIZE SUV - Bronco - Full-Size (cont.)

REAR AXLE

Pinion

1989-1983	8.8" ring gear	
	Cone/Cup (inner)	M802048-M802011
	Seal Viton (outer)	3604
	Cone/Cup (outer)	M88048-M88010
1988-1980	9" ring gear	
	Cone/Cup (inner)	M88048-M88010
	Seal (outer)	7044NA
	Cone/Cup (outer)	M88048-M88010
	Cyl. Bearing (pilot)	R1535TAV
1979-1966		
	Cone/Cup (inner)	M88048-M88010
	Seal (outer)	7044NA
	Cone/Cup (outer)	M88048-M88010

TRANSFER CASE REBUILD KIT

1989-1987	Warner 1356	
	Kit	TCRK1356
1989-1980	Warner 1345	
	Kit	TCRK1345
1986-1980	New Process 208	
	Kit	TCRK208SPK ⁴⁷
1979-1976	New Process 205: manual trans	
	Kit	TCRK205F
1979-1976	New Process 205: automatic trans	
	Kit	TCRK205FA
1979-1976	New Process 203	
	Kit	TCRK203F
1976-1972	Dana/Spicer 20: from chassis N40001	
	Kit	TCRK20C

TRANSFER CASE

Input Shaft

1989-1987	Warner 1356	
	Seal	714503
	Bearing	110CB
	Needle Bearing (pilot)	BK3026
1989-1980	Warner 1345	
	Seal	710062
	Kwik Slv (Opt Rpr)	KWK99175
1986-1980	New Process 208	
	Seal	3173[2]
	Needle Bearing	B5020[2]
	Seal Dual Lip	710928
	Kwik Slv (Opt Rpr)	KWK99193
	Needle Bearing (pilot)	B2012
	Needle Bearing Thrust	AXK5070
1979	New Process 203	
	Seal	3173[2]
	Bearing	1210L[2]
	Kwik Slv (Opt Rpr)	KWK99193[2]
	Needle Bearing (pilot)	QAR29523[15]
1979-1976	New Process 205: manual trans	
	Seal	473468[2]
	Bearing	1307L[2]
	Kwik Slv (Opt Rpr)	KWK99212[2]

TRANSFER CASE (cont.)

Input Shaft (cont.)

1979-1976	New Process 205: automatic trans	
	Seal	471869[2]
	Bearing	1210L[2]
	Kwik Slv (Opt Rpr)	KWK99193[2]
1978-1976	New Process 203	
	Seal	473468[2]
	Bearing	1210L[2]
	Kwik Slv (Opt Rpr)	KWK99212[2]
	Needle Bearing (pilot)	QAR29523[15]
1976-1966	Spicer 20, 21	
	Seal	473179
	Bearing	307L
	Kwik Slv (Opt Rpr)	KWK99187

Front Output Shaft

1989-1987	Warner 1356	
	Seal	714503
	Bearing	110CB
	Needle Bearing (pilot)	BK3026
1989-1980	Warner 1345	
	Seal	710062
	Bearing	207
	Kwik Slv (Opt Rpr)	KWK99187
1986-1980	New Process 208	
	Seal	3946
	Needle Bearing	B2816
	Kwik Slv (Opt Rpr)	KWK99187
	Needle Bearing (pilot)	J2416
	Needle Bearing Thrust	NTA2840[2]
1979	New Process 203 (2.125" shaft)	
	Seal	473468
	Bearing	307L[2]
	Kwik Slv (Opt Rpr)	KWK99212
	Needle Bearing (pilot)	M28161
1979	New Process 203 (2.062" shaft)	
	Seal	450307
	Bearing	307L[2]
	Kwik Slv (Opt Rpr)	KWK99205
	Needle Bearing (pilot)	M28161
1979-1976	New Process 205	
	Seal	473468
	Bearing	307L[2]
	Kwik Slv (Opt Rpr)	KWK99212
	Needle Bearing (pilot)	M28161
1978	New Process 203	
	Seal	473457
	Bearing	307L[2]
	Kwik Slv (Opt Rpr)	KWK99187
	Needle Bearing (pilot)	M28161
1977-1976	New Process 203	
	Seal	710005
	Bearing	307L[2]
	Kwik Slv (Opt Rpr)	KWK99174
	Needle Bearing (pilot)	M28161
1976-1966	Spicer 20, 21	
	Seal	450185
	Cone/Cup	14131-14276[2]
	Kwik Slv (Opt Rpr)	KWK99156

FORD TRUCK - FULL SIZE SUV - Bronco - Full-Size (cont.)

TRANSFER CASE

Rear Output Shaft

1989-1987	Warner 1356 (slip yoke)	
Seal	4503N
Bearing	207
1989-1987	Warner (fixed yoke)	
Seal	4333N
Bearing	207
1989	Warner 1345 (booted)	
Seal	4333N
Bearing	207
Needle Bearing (pilot)	B2812
1989-1980	Warner 1345 (non-booted)	
Seal	3946
Bearing	207
Kwik Slv (Opt Rpr)	KWK99187
Needle Bearing (pilot)	B2812
1986-1980	New Process 208 (slip yoke)	
Seal	4333N
Bearing	1207L
Needle Bearing (pilot)	B3616
Needle Bearing Thrust	TC2435
1986-1980	New Process 208 (fixed yoke)	
Seal	3946
Bearing	1207L
Kwik Slv (Opt Rpr)	KWK99187
Needle Bearing (pilot)	B3616
Needle Bearing Thrust	TC2435
1979	New Process 205	
Seal	473457
Bearing	307L
Kwik Slv (Opt Rpr)	KWK99187
Needle Bearing (pilot)	B3216
1979	New Process 203	
Seal	473468
Bearing	307L
Kwik Slv (Opt Rpr)	KWK99212
Needle Bearing (pilot)	QAR29523[15]
1978-1976	New Process 205	
Seal	473468
Bearing	307L
Kwik Slv (Opt Rpr)	KWK99212
Needle Bearing (pilot)	B3616
1978-1976	New Process 203	
Seal	473204
Bearing	307L
Kwik Slv (Opt Rpr)	KWK99212
Needle Bearing (pilot)	QAR29523[15]
1976-1966	Spicer 21	
Cone/Cup (front)	25877-25821
Seal (rear)	470682
Cone/Cup (rear)	M86649-M86610
Kwik Slv (Opt Rpr)	KWK99156
1976-1966	Spicer 20	
Cone/Cup (front)	25877-25821
Seal (rear)	450185
Cone/Cup (rear)	15117-15245
Kwik Slv (Opt Rpr)	KWK99156

TRANSFER CASE

Oil Pump Housing

1986-1976	New Process 208	
Seal	341022
Kwik Slv (Opt Rpr)	KWK99225

Selector Shaft Seal/Man. Shaft

1989-1987	Warner	
Seal	330385
1979-1976	New Process 205	
Seal	2287[2]
Kwik Slv (Opt Rpr)	KWK99076[2]
1976-1966	Spicer 21	
Seal	470009[2]
Kwik Slv (Opt Rpr)	KWK99062[2]
1976-1966	Spicer 20	
Seal	471466[2]
Kwik Slv (Opt Rpr)	KWK99062[2]

TRANSMISSION REBUILD KIT

1989-1988	Mazda M5R2	
Kit	TRK248
1989-1987	ZF S5-42	
Kit	TRK300ZF
1989-1979	Warner T18	
Kit	TRKBW18

3-SPEED AUTOMATIC TRANSMISSION

Torque Converter

1989-1966	C4, C5, C6	
Seal	331107N
Kwik Slv (Opt Rpr)	KWK99199

Rear Seal/Ext. Housing

1989-1978	C6 (3.066" O.D.)	
Seal	410308
1985-1966	C4 (booted), C5	
Seal	7692S
Seal Kit	5202 ⁶⁴
1979-1978	C6 (2.506" O.D.)	
Seal	7300S
Seal Kit	5203 ⁶⁴
1972-1966	C4 (non-booted)	
Seal	470687

Selector Shaft Seal/Man. Shaft

1989-1978	C6	
Seal	7929S
1986-1966	C4, C5	
Seal	240816
Kwik Slv (Opt Rpr)	KWK99076

4-SPEED AUTOMATIC TRANSMISSION

Torque Converter

1989	AODE, E4OD	
Seal	3404
1989-1980	AOT (AOD)	
Seal	331107N
Kwik Slv (Opt Rpr)	KWK99199

[] Indicates Quantity Required; Set Components Listed Inside Rear Cover;

⁶⁴ Opt. Seal and Bushing Kit

Bearings and Seals

Mfg./Year Model & Location Part No Mfg./Year Model & Location Part No

FORD TRUCK - FULL SIZE SUV - Bronco - Full-Size (cont.)

4-SPEED AUTOMATIC TRANSMISSION

Rear Seal/Ext. Housing

1989	E4OD	
Seal	7300S
Seal Kit	5203 ⁶⁴
1989-1980	AOT (AOD): long boot	
Seal	7692S
Seal Kit	5202 ⁶⁴

Selector Shaft Seal/Man. Shaft

1989-1980		
Seal	7929S

CLUTCH

Pilot Bearing

1989-1983	all	
Needle Bearing	FC65662

Release Bearing

1989-1987	5-speed: hydraulic piston type	
Bearing Assy	614061
1989-1983	4-speed	
Bearing Assy	614014
1982-1967	diaphragm clutch	
Bearing Assy	614038
1982-1967	3-finger clutch: 10", 10.4"	
Bearing Assy	614034
1966	diaphragm clutch	
Bearing Only	F1625C

4-SPEED MANUAL TRANSMISSION

Transmission Rebuild Kit

1987-1966	New Process 435	
Kit	TRK127
1982-1966	Warner T18	
Kit	TRK82F

Input Shaft

1989-1983	Warner T18	
Seal	7412S
Bearing	308LTB
Kwik Slv (Opt Rpr)	KWK99125
1987-1980	New Process 435	
Seal	482163N
Cone/Cup	HM88649-HM88610
Kwik Slv (Opt Rpr)	KWK99138
1982-1966	Warner T18	
Seal	7412S
Bearing	308LI
Kwik Slv (Opt Rpr)	KWK99062

4-SPEED MANUAL TRANSMISSION

Rear Output Shaft

1989-1984	Warner T18: 28-spline	
Seal	7692S
Bearing	308LI
Seal Kit	5202 ⁶⁴
1987-1980	New Process	
Seal	471271
Bearing	1308L
1987-1973	Warner T18 (35 spline)(3.256" O.D.)	
Seal	450519
Bearing	308L
1983-1980	Warner T18: 28-spline	
Seal	7692S
Bearing	1308L
Seal Kit	5202 ⁶⁴
1979	New Process 435 (2.378" O.D.)	
Seal	7692S
Bearing	1308L
Seal Kit	5201 ⁶⁴
1979-1977	New Process 435 (3.066" O.D.)	
Seal	473468
Bearing	1308L
1979-1966	Warner T18: 28-spline	
Seal	470059
Bearing	308L
1978-1966	New Process 435 (2.378" O.D.)	
Seal	470059
Bearing	1308L
Seal Kit	5201 ⁶⁴
1978-1966	New Process 435 (3.256" O.D.)	
Seal	450519
Bearing	1308L

DRIVESHAFT SUPPORT

1979-1966	Spicer 1280-1310: 1.3780" bearing ID: slip yoke style	
Bearing	88107
Hanger Bearing Assy	HB88107A

POWER STEERING

Pump Shaft

1979-1966	Manual Steering Worm Shaft	
Bearing	8537

CRANKSHAFT REAR SEAL

6 Cylinder

1989-1980	300/4.9L	
Seal Viton	2377
Seal PTFE H/D Opt	5278
Kwik Slv (Opt Rpr)	KWK99372
1974-1973	200/3.3L	
Seal Viton	2377
Kwik Slv (Opt Rpr)	KWK99372
1972-1966	170/2.8	
Seal Rope	5095
Seal Split Opt	5116

FORD TRUCK - FULL SIZE SUV - Bronco - Full-Size (cont.)

CRANKSHAFT REAR SEAL

8 Cylinder

1989-1983	351/5.8L (W) From 7/10/83	
Seal Viton	2377
Seal PTFE H/D Opt.	5278
Kwik Slv (Opt Rpr)	KWK99372
1989-1983	302/5.0L From 1/1/83	
Seal Viton	3909
Seal PTFE H/D Opt.	5277
Kwik Slv (Opt Rpr)	KWK99363
1983-1978	351/5.8L (W) To 7/10/83	
Seal Rope	5095
Seal Split Opt.	5117
1983-1969	302/5.0L To 12/31/82	
Seal Rope	5095
Seal Split Opt.	5108
1979-1978	400/6.6L	
Seal Rope	5095
Seal Split Opt.	5117
1968-1966	289/4.7L	
Seal Rope	5095
Seal Split Opt.	5108

TIMING COVER

6 Cylinder

1989-1980	300/4.9L	
Seal (front entry)	2692
Seal (rear entry)	2942
Kwik Slv (Opt Rpr)	KWK99187
Harmonic Balancer		
Sleeves	88187
1974-1973	200/3.3L	
Seal	7486S
Kwik Slv (Opt Rpr)	KWK99174

TIMING COVER (cont.)

6 Cylinder (cont.)

1972-1966	170/2.8	
Seal	7486S
Kwik Slv (Opt Rpr)	KWK99174

8 Cylinder

1989-1978	351/5.8L	
Seal (front entry)	2692
Seal (rear entry)	2942
Kwik Slv (Opt Rpr)	KWK99187
Harmonic Balancer		
Sleeves	88187
1989-1969	302/5.0L	
Seal (front entry)	2692
Seal (rear entry)	2942
Kwik Slv (Opt Rpr)	KWK99187
Harmonic Balancer		
Sleeves	88187
1979-1978	400/6.6L	
Seal (front entry)	2692
Seal (rear entry)	2942
Kwik Slv (Opt Rpr)	KWK99187
Harmonic Balancer		
Sleeves	88187
1968-1966	289/4.7L	
Seal (front entry)	2692
Seal (rear entry)	2942
Kwik Slv (Opt Rpr)	KWK99187
Harmonic Balancer		
Sleeves	88187

FORD TRUCK - 1/2 TON - E100, F100, E150, F150, Econoline, Parcel Delivery, Pickup

FRONT WHEEL

2WD

1989-1988	E150	
Seal (inner)	4148[2]
Set (inner)	SET13
Set (outer)	SET12F ⁵⁹
1987-1975	E100, E150	
Seal (inner)	4148[2]
Set (inner)	SET13
Set (outer)	SET12
1987-1973	F100, F150	
Seal (inner)	4148[2]
Set (inner)	SET13
Set (outer)	SET12
1974-1968	E100: 2500 lb. axle and up	
Seal (inner)	4148[2]
Set (inner)	SET5
Set (outer)	SET3

FRONT WHEEL (cont.)

2WD (cont.)

1972-1967	F100	
Seal (inner)	4148[2]
Set (inner)	SET5
Set (outer)	SET3
1970-1961	E100: 2150 lb. axle	
Seal (inner)	7834[2]
Set (inner)	SET6
Set (outer)	SET2
1967-1960	P100	
Seal (inner)	44053[2]
Set (inner)	SET5
Set (outer)	SET2
1966-1965	F100	
Seal (inner)	4148[2]
Set (inner)	SET5
Set (outer)	SET2

[] Indicates Quantity Required; Set Components Listed Inside Rear Cover;
⁵⁹ O.E. Polymer Cage

Bearings and Seals

Mfg./Year Model & Location Part No Mfg./Year Model & Location Part No

FORD TRUCK - 1/2 TON - E100, F100, E150, F150, Econoline, Parcel Delivery, Pickup (cont.)

FRONT WHEEL (cont.)

2WD (cont.)

1964-1957	F100	
Seal (inner)	44053[2]
Set (inner)	SET5
Set (outer)	SET2
1956-1948		
Seal (inner)	5827[2]
Cone/Cup (inner)	14130-14276[2]
Cone/Cup (outer)	09067-09195[2]
1947-1946		
Seal (inner)	5796[2]
Cone/Cup (inner)	15118-15250X[2]
Cone/Cup (outer)	09074-09194[2]

4WD

1989-1988	production from 6/1988 on	
Seal (inner)	4250[2]
Set (inner)	SET37
Set (outer)	SET45
1988	manual locking hub: limited slip differential: production 3/1988 thru 5/1988	
Seal (inner)	710091[2]
Set (inner)	SET37
Set (outer)	SET45
1988	manual locking hub: open differential: production 3/1988 thru 5/1988	
Seal (inner)	710091[2]
Set (inner)	SET38
Set (outer)	SET45
1988-1987	manual locking hub: production thru 3/1988	
Seal (inner)	710091[2]
Set (inner)	SET38
Set (outer)	SET38
1988-1987	auto locking hub: production thru 5/1988	
Seal (inner)	4250[2]
Set (inner)	SET37
Set (outer)	SET45
1986-1969	production from chassis #F70001 on	
Seal (inner)	4250[2]
Set (inner)	SET37
Set (outer)	SET45
1969-1959	production thru chassis #F70000	
Seal (inner)	442380[2]
Set (inner)	SET37
Set (outer)	SET45

REAR WHEEL

1989	E100, E150	
Seal	8835S[2]
Cyl. Bearing	6408[2]
Kit	TRP1559TV[2] ¹⁹

REAR WHEEL (cont.)

1989-1983	F100, F150: 8.8" ring gear Sterling axle	
Seal	8835S[2]
Cyl. Bearing	6408[2]
Kit	TRP1559TV[2] ¹⁹
1988-1983	E100, E150: 8.8" ring gear Sterling axle	
Seal	8835S[2]
Cyl. Bearing	6408[2]
Kit	TRP1559TV[2] ¹⁹
1988-1980	E100, E150 Econoline: 3750 lb. axle	
Seal	3195[2]
Set	SET20
1986-1980	F100, F150: 3750 lb. axle: 9" ring gear	
Seal	3195[2]
Set	SET20
1983-1980	F100, F150: 2800 lb. axle	
Seal	51098[2]
Bearing	88128RAP[2]
1983-1980	F100: Dana/Spicer 44-3 axle	
Seal	9912S[2]
Set	SET10
1983-1975	F100, F150: Dana/Spicer 44 axle from chassis #A25001 on	
Seal	2689S[2]
Set	SET10
1983-1974	F100, F150: 3300 lb. axle: tapered bearing	
Seal	3195[2]
Set	SET20
1983-1974	F100, F150: 3600 lb. axle	
Seal	482253[2]
Cyl. Bearing	RUB1580EBFR[2]
1983-1974	F100, F150: 3750 lb. axle	
Seal	482253[2]
Cyl. Bearing	RUB1580EBFR[2]
1979-1976	E100, E150 Econoline: 3300 lb. axle with ball bearings	
Seal	51098[2]
Bearing	88128RAP[2]
1979-1975	E100, E150 Econoline: 3600 lb. axle	
Seal	482253[2]
Cyl. Bearing	RUB1580EBFR[2]
1979-1975	E100, E150 Econoline: 3750 lb. axle	
Seal	482253[2]
Cyl. Bearing	RUB1580EBFR[2]
1979-1975	E100, E150 Econoline: Dana/Spicer 44 axle from chassis #A25001	
Seal	2689S[2]
Set	SET10
1979-1974	E100, E150 Econoline: 3300 lb. axle with OEM tapered bearings	
Seal	3195[2]
Set	SET20

264 [] Indicates Quantity Required; Set Components Listed Inside Rear Cover;

¹⁹ Opt. Axle Repair Bearing. Replaces O.E. bearing & seal.

FORD TRUCK - 1/2 TON - E100, F100, E150, F150, Econoline, Parcel Delivery, Pickup (cont.)

REAR WHEEL (cont.)

1979-1974	F100, F150: 3300 lb. axle: ball bearing.	
Seal	51098[2]	
Bearing	88128RAP[2]	
1975-1973	E100, E150 Econoline: Dana/Spicer 44 axle to chassis #A25000	
Seal	472747[2]	
Set	SET7	
1975-1973	F100, F150: Dana/Spicer 44 axle thru chassis #A25000	
Seal	472747[2]	
Set	SET7	
1975-1961	E100, E150 Econoline: 3300 lb. axle with ball bearings	
Seal	51098[2]	
Bearing	514003P[2]	
1975-1958	F100, F150: 3300 lb. axle	
Seal	51098[2]	
Bearing	514003P[2]	
1974	E100 Econoline: 3050 lb. axle	
Seal	51098[2]	
Bearing	RW207CCRA[2]	
1973-1970	E100 Econoline: 3050 lb. axle	
Seal	9568[2]	
Bearing	RW207CCRA[2]	
1969-1963	E100 Econoline: 2700 lb. axle	
Seal	6939[2]	
Bearing	RW207CCRA[2]	
1969-1963	E100 Econoline: 3050 lb. axle	
Seal	6939[2]	
Bearing	RW207CCRA[2]	
1968-1961	E100 Econoline: 2300 lb. axle	
Seal	51322[2]	
Bearing	RW207CCRA[2]	
1967-1964	P100	
Seal	51098[2]	
Bearing	514003P[2]	
1967-1948	F1, F100 exc. Dana/Spicer axle	
Seal	472856[2]	
Bearing	514003P[2]	
1960-1953	3300 lb. Ford axle	
Seal	51098[2]	
Bearing	514003P[2]	
1952-1948	3300 lb. Ford axle	
Seal	472856[2]	
Bearing	514003P[2]	

4WD FRONT AXLE

Axle Shaft

1989-1983	Dana/Spicer 44-IFS axle	
Seal (LH)	710043	
Seal (RH)	470672	
Cyl. Bearing (RH)	5707	
1982-1980	Dana/Spicer 44-IFS axle	
Seal (LH)	710043	
Seal (RH)	2146	
Set (RH)	SET9	

4WD FRONT AXLE

Differential Rebuild Kit

1989-1959	Dana/Spicer 44 series axles	
Kit	DRK339B	

Differential

1989-1967	Dana/Spicer 44 series axles	
Cone/Cup	25590-25523[2]	
1971-1966	Dana/Spicer 30 series axles	
Cone/Cup	LM501349-LM501314[2]	
1966-1959	Dana/Spicer 44 series axles	
Cone/Cup	25577-25523[2]	

Pinion

1989-1980	Dana/Spicer 44 series axles	
Cone/Cup (inner)	HM88649-HM88610	
Seal (outer)	5778	
Cone/Cup (outer)	02872-02820	
1979-1959	Dana/Spicer 44 series axles	
Cone/Cup (inner)	31594-31520	
Seal (outer)	5778	
Cone/Cup (outer)	02872-02820	
1971-1966	Dana/Spicer 30 series axles	
Cone/Cup (inner)	HM88649-HM88610	
Seal (outer)	5778	
Cone/Cup (outer)	02872-02820	

Spindle Kit

1989-1985	Bearing & Seal Kit	SBK4 ³⁶
1984	early: non-bonded V-ring	
Bearing & Seal Kit	SBK1 ³³	
1984	late: bonded V-ring	
Bearing & Seal Kit	SBK4 ³⁶	
1983-1973	Bearing & Seal Kit	SBK1 ³³

Spindle

1989-1980		
Seal (inner)	722108[2]	
Needle Bearing (inner)	B2110[2]	
Seal (outer)	722109[2]	
1979-1973	Dana/Spicer 44 series axles	
Seal (inner)	722108[2]	
Needle Bearing (inner)	B2110[2]	
Seal (outer)	722109[2]	
1972-1959	Dana/Spicer 30 and 44 series axles	
Seal	472934[2]	
Needle Bearing	B2110[2]	

REAR AXLE

Differential Rebuild Kit

1989-1983	8.8" ring gear	
Kit	DRK311	
1986-1970	9" ring gear: production from 5/12/1970 on	
Kit	DRK313	

[] Indicates Quantity Required; Set Components Listed Inside Rear Cover;

³³ Opt. Kit incl: Bearing B2110; Seals 722108 & 722109

³⁶ Opt. Kit incl: Bearing B2110; Seals 722108 &

722109; Ring/not sold separately

Bearings and Seals

Mfg./Year Model & Location Part No Mfg./Year Model & Location Part No

FORD TRUCK - 1/2 TON - E100, F100, E150, F150, Econoline, Parcel Delivery, Pickup (cont.)

REAR AXLE (cont.)

Differential Rebuild Kit (cont.)

1979-1967	Dana/Spicer 44 series axles	
Kit	DRK339B
1978-1966	7.75", 8" ring gears	
Kit	DRK310
1970-1957	9" ring gear: production thru 5/11/1970	
Kit	DRK312
1969-1964	Dana/Spicer 60-2, 60-3 axles	
Kit	DRK331

Differential

1989-1983	8.8" ring gear	
Set	SET36[2]
1986-1972	9" ring gear H/D axle: late	
Set	SET47[2]
1979-1970	9" ring gear: std. duty axle: production from 5/11/1970 on	
Set	SET47[2]
1979-1967	Dana/Spicer 44-3 axle	
Cone/Cup	25590-25523[2]
1978-1959	7.75", 8", 8.375" ring gear axles	
Set	SET45[2]
1975-1964	9.375" ring gear	
Cone/Cup	25590-25520[2]
1972-1964	9" ring gear H/D axle: early	
Set	SET37[2]
1970-1957	9" ring gear: std. duty axle: production thru 5/10/1970	
Set	SET45[2]
1969-1967	Dana/Spicer 44-1 axle	
Cone/Cup	25577-25523[2]
1969-1964	Dana/Spicer 60 axles	
Cone/Cup	387A-382S[2]
1969-1961	7", 7.25" ring gears	
Cone/Cup	LM29749-LM29710[2]
1969-1959	8.75" ring gear	
Set	SET45[2]
1966-1948	Dana/Spicer 44 series axles	
Cone/Cup	25577-25523[2]
1958-1957	8.75" ring gear	
Set	SET37[2]
1955-1953	Rockwell A150 axle	
Cone/Cup (LH)	28580-28521
Cone/Cup (RH)	18790-18720

Pinion

1989-1983	8.8" ring gear	
Cone/Cup (inner)	M802048-M802011
Seal Viton (outer)	3604
Cone/Cup (outer)	M88048-M88010
1988-1961	8.375" ring gear	
Cone/Cup (inner)	M88048-M88010
Seal (outer)	7044NA
Cone/Cup (outer)	M88048-M88010
Cyl. Bearing (pilot)	R1535TAV

REAR AXLE (cont.)

Pinion (cont.)

1988-1957	9" ring gear: 3" OD pinion shaft seal	
Cone/Cup (inner)	M88048-M88010
Seal (outer)	7044NA
Cone/Cup (outer)	M88048-M88010
Cyl. Bearing (pilot)	R1535TAV
1979-1948	Dana/Spicer 44 series axles	
Cone/Cup (inner)	02872-02820
Seal (outer)	5778
Cone/Cup (outer)	31594-31520
1978-1966	7.75" ring gear	
Cone/Cup (inner)	M86649-M86610
Seal (outer)	8181NA
Cone/Cup (outer)	M86649-M86610
Cyl. Bearing (pilot)	R1558TAV
1978-1966	8" ring gear	
Cone/Cup (inner)	M86649-M86610
Seal (outer)	8181NA
Cone/Cup (outer)	M86649-M86610
Cyl. Bearing (pilot)	R1558TAV
1976-1964	9" ring gear: H/D axle	
Cone/Cup (inner)	HM89443-HM89410
Seal (outer)	7044NA
Cone/Cup (outer)	M88048-M88010
Cyl. Bearing (pilot)	R1535TAV
1975-1964	9.375" ring gear	
Cone/Cup (inner)	HM89444-HM89410
Seal (outer)	7044NA
Cone/Cup (outer)	M88048-M88010
Cyl. Bearing (pilot)	M5204TV
1972-1957	8.75" ring gear	
Cone/Cup (inner)	M88048-M88010
Seal (outer)	7044NA
Cone/Cup (outer)	M88048-M88010
Cyl. Bearing (pilot)	R1535TAV
1969-1964	Dana/Spicer 60 series axles	
Cone/Cup (inner)	HM803146-HM803110
Seal (outer)	6808N
Cone/Cup (outer)	HM88542-HM88510
1969-1961	7" ring gear	
Cone/Cup (inner)	HM88649-HM88610
Seal (outer)	7457N
Cone/Cup (outer)	M86649-M86610
1969-1961	7.25" ring gear	
Cone/Cup (inner)	HM89446A-HM89410
Seal (outer)	7457N
Cone/Cup (outer)	M86649-M86610
1960-1957	9" ring gear: 4.125" OD pinion shaft seal	
Cone/Cup (inner)	M88048-M88010
Seal (outer)	6930
Cone/Cup (outer)	M88048-M88010
Cyl. Bearing (pilot)	R1535TAV
1955-1953	Rockwell A150 axle	
Cone/Cup (inner)	HM804840-HM804810
Seal (outer)	451078
Cone/Cup (outer)	HM89443-HM89410

FORD TRUCK - 1/2 TON - E100, F100, E150, F150, Econoline, Parcel Delivery, Pickup (cont.)

TRANSFER CASE REBUILD KIT

1989-1987	Warner 1356	
Kit	TCRK1356
1989-1980	Warner 1345	
Kit	TCRK1345
1986-1980	New Process 208	
Kit	TCRK208SPK ⁴⁷
1979-1976	New Process 203	
Kit	TCRK203F
1979-1976	New Process 205: manual trans	
Kit	TCRK205F
1979-1976	New Process 203	
Kit	TCRK203F
1976-1972	Dana/Spicer 20: production from chassis N40001 on	
Kit	TCRK20C

**TRANSFER CASE
Input Shaft**

1989-1987	Warner 1356	
Seal	714503
Bearing	110CB
Needle Bearing (pilot)	BK3026
1989-1980	Warner 1345	
Seal	710062
Kwik Slv (Opt Rpr)	KWK99175
1986-1980	New Process 208	
Seal	3173[2]
Needle Bearing	B5020[2]
Seal Dual Lip	710928
Kwik Slv (Opt Rpr)	KWK99193
Needle Bearing (pilot)	B2012
Needle Bearing Thrust	AXK5070
1979	New Process 203	
Seal	3173[2]
Bearing	1210L[2]
Kwik Slv (Opt Rpr)	KWK99193[2]
Needle Bearing (pilot)	QAR29523[15]
1979-1976	New Process 205: manual trans	
Seal	473468[2]
Bearing	1307L[2]
Kwik Slv (Opt Rpr)	KWK99212[2]
1979-1976	New Process 205: automatic trans	
Seal	471869[2]
Bearing	1210L[2]
Kwik Slv (Opt Rpr)	KWK99193[2]
1978-1976	New Process 203	
Seal	473468[2]
Bearing	1210L[2]
Kwik Slv (Opt Rpr)	KWK99212[2]
Needle Bearing (pilot)	QAR29523[15]
1976-1966	Spicer 20, 21	
Seal	473179
Bearing	307L
Kwik Slv (Opt Rpr)	KWK99187

TRANSFER CASE

Front Output Shaft

1989-1987	Warner 1356	
Seal	714503
Bearing	110CB
Needle Bearing (pilot)	BK3026
1989-1980	Warner 1345	
Seal	710062
Bearing	207
Kwik Slv (Opt Rpr)	KWK99187
1986-1980	New Process 208	
Seal	3946
Needle Bearing	B2816
Kwik Slv (Opt Rpr)	KWK99187
Needle Bearing (pilot)	J2416
Needle Bearing Thrust	NTA2840[2]
1979	New Process 203 (2.125" shaft)	
Seal	473468
Bearing	307L[2]
Kwik Slv (Opt Rpr)	KWK99212
Needle Bearing (pilot)	M28161
1979	New Process 203 (2.062" shaft)	
Seal	450307
Bearing	307L[2]
Kwik Slv (Opt Rpr)	KWK99205
Needle Bearing (pilot)	M28161
1979-1976	New Process 205	
Seal	473468
Bearing	307L[2]
Kwik Slv (Opt Rpr)	KWK99212
Needle Bearing (pilot)	M28161
1978	New Process 203	
Seal	473457
Bearing	307L[2]
Kwik Slv (Opt Rpr)	KWK99187
Needle Bearing (pilot)	M28161
1977-1976	New Process 203	
Seal	710005
Bearing	307L[2]
Kwik Slv (Opt Rpr)	KWK99174
Needle Bearing (pilot)	M28161
1976-1966	Spicer 20, 21	
Seal	450185
Cone/Cup	14131-14276[2]
Kwik Slv (Opt Rpr)	KWK99156

Rear Output Shaft

1989-1987	Warner 1356 (slip yoke)	
Seal	4503N
Bearing	207
1989-1987	Warner (fixed yoke)	
Seal	4333N
Bearing	207
1989	Warner 1345 (booted)	
Seal	4333N
Bearing	207
Needle Bearing (pilot)	B2812

[] Indicates Quantity Required; Set Components Listed Inside Rear Cover;

⁴⁷ Includes Small Parts Kit

Bearings and Seals

Mfg./Year Model & Location Part No Mfg./Year Model & Location Part No

FORD TRUCK - 1/2 TON - E100, F100, E150, F150, Econoline, Parcel Delivery, Pickup (cont.)

TRANSFER CASE (cont.)

Rear Output Shaft (cont.)

1989-1980	Warner 1345 (non-booted)	
Seal	3946	
Bearing	207	
Kwik Slv (Opt Rpr)	KWK99187	
Needle Bearing (pilot)	B2812	
1986-1980	New Process 208 (slip yoke)	
Seal	4333N	
Bearing	1207L	
Needle Bearing (pilot)	B3616	
Needle Bearing Thrust	TC2435	
1986-1980	New Process 208 (fixed yoke)	
Seal	3946	
Bearing	1207L	
Kwik Slv (Opt Rpr)	KWK99187	
Needle Bearing (pilot)	B3616	
Needle Bearing Thrust	TC2435	
1979	New Process 205	
Seal	473457	
Bearing	307L	
Kwik Slv (Opt Rpr)	KWK99187	
Needle Bearing (pilot)	B3216	
1979	New Process 203	
Seal	473468	
Bearing	307L	
Kwik Slv (Opt Rpr)	KWK99212	
Needle Bearing (pilot)	QAR29523[15]	
1978-1976	New Process 205	
Seal	473468	
Bearing	307L	
Kwik Slv (Opt Rpr)	KWK99212	
Needle Bearing (pilot)	B3616	
1978-1976	New Process 203	
Seal	473204	
Bearing	307L	
Kwik Slv (Opt Rpr)	KWK99212	
Needle Bearing (pilot)	QAR29523[15]	
1976-1966	Spicer 21	
Cone/Cup (front)	25877-25821	
Seal (rear)	470682	
Cone/Cup (rear)	M86649-M86610	
Kwik Slv (Opt Rpr)	KWK99156	
1976-1966	Spicer 20	
Cone/Cup (front)	25877-25821	
Seal (rear)	450185	
Cone/Cup (rear)	15117-15245	
Kwik Slv (Opt Rpr)	KWK99156	

Oil Pump Housing

1986-1976	New Process 208	
Seal	341022	
Kwik Slv (Opt Rpr)	KWK99225	

Selector Shaft Seal/Man. Shaft

1989-1987	Warner	
Seal	330385	
1979-1976	New Process 205	
Seal	2287[2]	
Kwik Slv (Opt Rpr)	KWK99076[2]	

TRANSFER CASE (cont.)

Selector Shaft Seal/Man. Shaft (cont.)

1976-1966	Spicer 21	
Seal	470009[2]	
Kwik Slv (Opt Rpr)	KWK99062[2]	
1976-1966	Spicer 20	
Seal	471466[2]	
Kwik Slv (Opt Rpr)	KWK99062[2]	

TRANSMISSION REBUILD KIT

1989-1988	Mazda M5R2	
Kit	TRK248	
1989-1987	ZF S5-42	
Kit	TRK300ZF	
1987-1980	New Venture 435	
Kit	TRK127F	
1982-1968	Warner T18, 20mm Wide I/S Brg.	
Kit	TRKBW18	
1982-1968	Warner T18, 23mm Wide I/S Brg.	
Kit	TRKBW18A	

AUTOMATIC TRANSMISSION

Torque Converter

1964-1961	Ford-o-Matic	
Seal	331107N	
Kwik Slv (Opt Rpr)	KWK99199	

Rear Seal/Ext. Housing

1964-1961	Ford-o-Matic	
Seal	7692S	
Seal Kit	5202 ⁶⁴	

3-SPEED AUTOMATIC TRANSMISSION

Torque Converter

1989-1964	C4, C5, C6	
Seal	331107N	
Kwik Slv (Opt Rpr)	KWK99199	
1976-1965	Cruise-o-Matic	
Seal	331107N	
Kwik Slv (Opt Rpr)	KWK99199	
1964-1953	Ford-o-Matic	
Seal	6988H	
Kwik Slv (Opt Rpr)	KWK99193	

Rear Seal/Ext. Housing

1989-1980	C6	
Seal	410308	
1986-1964	C4 (booted), C5	
Seal	7692S	
Seal Kit	5202 ⁶⁴	
1979-1965	C6 (3.066" O.D.)	
Seal	410308	
1979-1965	C6 (2.506" O.D.)	
Seal	7300S	
Seal Kit	5203 ⁶⁴	
1976-1965	Cruise-o-Matic	
Seal	7300S	
Seal Kit	5203 ⁶⁴	

268 [] Indicates Quantity Required; Set Components Listed Inside Rear Cover;

⁶⁴ Opt. Seal and Bushing Kit

FORD TRUCK - 1/2 TON - E100, F100, E150, F150, Econoline, Parcel Delivery, Pickup (cont.)

3-SPEED AUTOMATIC TRANSMISSION (cont.)

Rear Seal/Ext. Housing (cont.)

1972-1964	C4 (non-booted)	
Seal		470687
1964-1953	Ford-o-Matic	
Seal		7692S
Seal Kit		5202 ⁶⁴

Selector Shaft Seal/Man. Shaft

1989-1964	C6	
Seal		7929S
1986-1964	C4, C5	
Seal		240816
Kwik Slv (Opt Rpr)		KWK99076
1976-1953	exc. C4, C5, C6	
Seal		7929S

4-SPEED AUTOMATIC TRANSMISSION

Torque Converter

1989	AODE-E; E4OD; 4R70W; A0DEW	
Seal		3404
1989-1980	AOT (AOD)	
Seal		331107N
Kwik Slv (Opt Rpr)		KWK99199

Rear Seal/Ext. Housing

1989	E4OD	
Seal		7300S
Seal Kit		5203 ⁶⁴
1989-1980	AOT (AOD): long boot	
Seal		7692S
Seal Kit		5202 ⁶⁴

Selector Shaft Seal/Man. Shaft

1989-1980		
Seal		7929S

CLUTCH - 6 CYLINDER

Pilot Bearing

1989-1965	170/2.8L, 240/3.9L, 232/3.8L, 265/4.2L, 300/4.9L	
Needle Bearing		FC65662

CLUTCH - 8 CYLINDER

Pilot Bearing

1989-1978	281/4.6L, 302/5.0L, 351/5.8L (M) (W)	
Needle Bearing		FC65662
1980	400 (6.6)	
Bushing H/D		PB50DHD

CLUTCH

Release Bearing

1989-1987	5-speed: hydraulic piston type	
Bearing Assy		614061
1989-1983	4-speed: cable mechanism	
Bearing Assy		614014
1982-1965	diaphragm clutches	
Bearing Assy		614038
1980-1965	H/D 3-finger clutch: 10", 10.4"	
Bearing Assy		614034
1970-1961	E100 Econoline: 6-cylinder 170 engine	
Bearing Only		F1505C
1964-1953	exc. 1961-1964 E100 Econoline & diesel	
Bearing Only		F2065C

3-SPEED MANUAL TRANSMISSION

Front Input Shaft

1979-1963	Tremac	
Seal		3638
Bearing		208LO
Kwik Slv (Opt Rpr)		KWK99112
1971-1965	Warner T85	
Seal		7412S
Bearing		307L
Kwik Slv (Opt Rpr)		KWK99125
1971-1959	Warner T89	
Bearing		307L
1967-1959	Warner T87	
Bearing		1209L
1966-1965	Ford 2.77 (HED, RED)	
Seal		480210
Kwik Slv (Opt Rpr)		KWK99106
1964-1953	Warner T86	
Seal		450326
Bearing		207L
Kwik Slv (Opt Rpr)		KWK99149
1962-1953	Ford L/D	
Seal		482208
Bearing		207L
Kwik Slv (Opt Rpr)		KWK99112

Rear Output Shaft

1979-1963	Tremac	
Seal		7692S
Bearing		207L
Seal Kit		5202 ⁶⁴
1977-1959	Warner T87, T89	
Seal		473468
Bearing		307L
1971-1965	Warner T85	
Seal		470059
Bearing		307L
Seal Kit		5201 ⁶⁴
1966-1965	Ford 2.77 (HED, RED): 1.5" shaft	
Seal		470059
Bearing		206L
Seal Kit		5201 ⁶⁴

[] Indicates Quantity Required; Set Components Listed Inside Rear Cover;
⁶⁴ Opt. Seal and Bushing Kit

Bearings and Seals

Mfg./Year Model & Location Part No Mfg./Year Model & Location Part No

FORD TRUCK - 1/2 TON - E100, F100, E150, F150, Econoline, Parcel Delivery, Pickup (cont.)

3-SPEED MANUAL TRANSMISSION

(cont.)

Rear Output Shaft (cont.)

1966-1965	Ford 2.77 (HED, RED): 1.375" shaft	
Seal	7495S	
Bearing	206L	
Seal Kit	5204 ⁶⁴	
1964-1953	Warner T86	
Seal	470059	
Bearing	207L	
Seal Kit	5201 ⁶⁴	
1962-1953	Ford L/D (1.378" shaft)	
Seal	470059	
Bearing	207L	
1962-1953	Ford L/D (1.181" shaft)	
Seal	470059	
Bearing	306L	
Seal Kit	5201 ⁶⁴	

Selector Shaft Seal/Man. Shaft

1971-1953	Warner T85, T86, T89	
Seal	340797	
Kwik Slv (Opt Rpr)	KWK99059	
1967-1948	Warner T87	
Seal	7399S	
Kwik Slv (Opt Rpr)	KWK99062	

4-SPEED MANUAL TRANSMISSION

Transmission Rebuild Kit

1987-1966	New Process 435	
Kit	TRK127	
1982-1966	Warner T18	
Kit	TRK82F	

Input Shaft

1989-1983	Warner T18	
Seal	7412S	
Bearing	308LTB	
Kwik Slv (Opt Rpr)	KWK99125	
1989-1980	Tremac	
Seal	3638	
Bearing	308LTB	
Kwik Slv (Opt Rpr)	KWK99112	
1987-1965	New Process 435	
Seal	482163N	
Cone/Cup	HM88649-HM88610	
Kwik Slv (Opt Rpr)	KWK99138	
1982-1980	Warner T18	
Seal	7412S	
Bearing	308LI	
Kwik Slv (Opt Rpr)	KWK99125	
1979-1978	Tremac	
Seal	482208	
Bearing	308LTB	
Kwik Slv (Opt Rpr)	KWK99112	

4-SPEED MANUAL TRANSMISSION

(cont.)

Input Shaft (cont.)

1979-1965	Warner T18	
Seal	7412S	
Bearing	308LTB	
Kwik Slv (Opt Rpr)	KWK99125	
1964-1963	Dagenham Design	
Seal	482208	
Bearing	307L	
Kwik Slv (Opt Rpr)	KWK99112	
1964-1948	Warner T98	
Bearing	308LI	
1952-1946	Warner T9	
Bearing	209BB	
1952-1946	Warner T8	
Bearing	1209L	

Rear Output Shaft

1989-1984	Warner T18: 28-spline	
Seal	7692S	
Bearing	308LI	
Seal Kit	5202 ⁶⁴	
1989-1985	Tremac 2nd design	
Seal	7692S	
Bearing	308L	
Seal Kit	5202 ⁶⁴	
1987-1984	Warner T18 (31 spline)	
Seal	473442	
Bearing	308LI	
1987-1980	New Process 435	
Seal	471271	
Bearing	1308L	
1985-1978	Tremac 1st design	
Seal	7692S	
Bearing	308LTB	
Seal Kit	5202 ⁶⁴	
1983-1980	Warner T18 (31 spline)	
Seal	473442	
Bearing	1308L	
1983-1980	Warner T18: 28-spline	
Seal	7692S	
Bearing	1308L	
Seal Kit	5202 ⁶⁴	
1979	New Process 435 (3.066" O.D.)	
Seal	473468	
Bearing	1308L	
1979	New Process 435 (2.378" O.D.)	
Seal	7692S	
Bearing	1308L	
Seal Kit	5202 ⁶⁴	
1979-1973	Warner T18 (35 spline)(3.256" O.D.)	
Seal	450519	
Bearing	308L	
1979-1965	Warner T18: 28-spline	
Seal	470059	
Bearing	308L	

270 [] Indicates Quantity Required; Set Components Listed Inside Rear Cover;

⁶⁴ Opt. Seal and Bushing Kit

FORD TRUCK - 1/2 TON - E100, F100, E150, F150, Econoline, Parcel Delivery, Pickup (cont.)

4-SPEED MANUAL TRANSMISSION

(cont.)

Rear Output Shaft (cont.)

1978-1977	New Process 435 (3.066" O.D.)	
Seal	473468
Bearing	1308L
1978-1965	New Process 435 (2.378" O.D.)	
Seal	470059
Bearing	1308L
Seal Kit	5201 ⁶⁴
1978-1965	New Process 435 (3.256" O.D.)	
Seal	450519
Bearing	1308L
1972-1965	Warner T18: 10-splines: 3.066" OD	
Seal	450308
Bearing	308L
1964-1963	Dagenham Design	
Seal	7495S
Bearing	206L
Seal Kit	5204 ⁶⁴
1964-1948	Warner T98	
Seal	450308
Bearing	307L
1952-1946	Warner T8, T9	
Seal	450308
Bearing	307L

Selector Shaft Seal/Man. Shaft

1989-1978	Tremac	
Seal	313156
1964-1963	Dagenham Design	
Seal	7399S
Kwik Slv (Opt Rpr)	KWK99062

5-SPEED MANUAL TRANSMISSION

Front Input Shaft

1989-1988	Mazda	
Seal	223012
Kwik Slv (Opt Rpr)	KWK99114
1989-1987	ZF S5-42	
Seal Viton	713771
Cone/Cup	28580-28521
Kwik Slv (Opt Rpr)	KWK99139

Front Input Shaft Pocket

1989-1987	ZF S5-42	
Cone	JH13349

Countershaft

1989-1987	ZF S5-42	
Cone/Cup	2580-2520[2]

5-SPEED MANUAL TRANSMISSION

Rear Output Shaft

1989-1988	Mazda	
Seal	710415
1989-1987	ZF S5-42: 4x4 application	
Seal	1217
Cone/Cup	J28573-28521
1989-1987	ZF S5-42: 4x2 application	
Seal	225010
Cone/Cup	J28573-28521

A/C COMPRESSOR

1989-1966	Nippondenso FX 15; Tecumseh; York; (Axial)	
Bearing	5106WCC
1984-1966	Tecumseh; York	
Bearing (rear)	203AB

DRIVESHAFT SUPPORT

1989-1975	Spicer 1280, 1310: 1.3780" bearing ID	
Bearing	88107
Hanger Bearing Assy	HB88107A
1988-1955	Spicer 1260, 1410: 1.3780" bearing ID	
Bearing	88107
Hanger Bearing Assy	HB88107A
1985-1955	Spicer 1260, 1480: 1.3780" bearing ID	
Bearing	88107
Hanger Bearing Assy	HB88107A
1983-1973	Cleveland 055: 1.5748" bearing ID, 2.25" height	
Hanger Bearing Assy	HB88508A
1983-1973	Spicer 1410: 1.5748" bearing ID, 2.25" height	
Hanger Bearing Assy	HB88508A
1983-1955	Spicer 1410, 1650: 1.7717" bearing ID	
Bearing	88509
Hanger Bearing Assy	HB88509
1979-1955	Spicer: 1.9685" bearing ID	
Hanger Bearing Assy	HB88510A
1979-1955	Spicer: 2.3622" bearing ID	
Hanger Bearing Assy	HB88512AHD
1979-1955	Spicer 1410, 1480: 1.5748" bearing ID, 2.5" height	
Bearing	88508
Hanger Bearing Assy	HB88508
1975-1965	Cleveland 055: 1.5000" bearing ID	
Hanger Bearing Assy	HB2
1975-1965	Cleveland R55: 1.3750" bearing ID	
Hanger Bearing Assy	HB1
1975-1965	Cleveland S55: 1.3750" bearing ID	
Hanger Bearing Assy	HB1

Bearings and Seals

Mfg./Year Model & Location Part No Mfg./Year Model & Location Part No

FORD TRUCK - 1/2 TON - E100, F100, E150, F150, Econoline, Parcel Delivery, Pickup (cont.)

POWER STEERING

Pitman Shaft

1982-1972
Seal KitPSK1²⁴

Pump Shaft

1989-1965 Ford pump
Seal8773S
1989-1975 Saginaw pump
Seal7013S
1974-1967 Eaton pump
Seal6835S
Bearing203FF

MANUAL STEERING

Pitman Shaft

1982-1980 Saginaw design
Seal313842
1982-1961 Ford design
Seal340151

Worm Shaft

1989-1983
Seal221922
1982-1966
Seal480821
Bearing8537[2]

CRANKSHAFT REAR SEAL

6 Cylinder

1989-1965 240/3.9, 300/4.9L
Seal Viton2377
Seal PTFE H/D Opt.5278
Kwik Slv (Opt Rpr)KWK99372
1983 232/3.8L From 1/1/83
Seal Viton3909
Seal PTFE H/D Opt.5277
Kwik Slv (Opt Rpr)KWK99363
1983-1982 232/3.8L to 12/31/82
Seal Viton3909
Seal PTFE H/D Opt.5277
Kwik Slv (Opt Rpr)KWK99363
1974-1961 144/2.4, 170/2.8, 200/3.3
Seal Rope5095
Seal Split Opt.5116

8 Cylinder

1989-1984 281/4.6L, 302/5.0L,330/5.4L
Seal Viton3909
Seal PTFE H/D Opt.5277
Kwik Slv (Opt Rpr)KWK99363
1989-1983 302/5.0L From 12/82
Seal Viton3909
Seal PTFE H/D Opt.5277
Kwik Slv (Opt Rpr)KWK99363

CRANKSHAFT REAR SEAL (cont.)

8 Cylinder (cont.)

1989-1983 351/5.8L (W) From 7/10/83
Seal Viton2377
Seal PTFE H/D Opt.5278
Kwik Slv (Opt Rpr)KWK99372
1983 351/5.8L (W) To 7/10/83
Seal Rope5095
Seal Split5117
1983-1968 302/5.0L Thru 11/82
Seal Rope5095
Seal Split Opt.5108
1982-1968 400/6.6L
Seal Rope5095
Seal Split Opt.5117
1982-1968 351/5.8L, 360/5.9L, 400/6.6L
Seal Rope5095
Seal Split Opt.5117
1979-1973 460/7.5L
Seal Rope5095
Seal Split Opt.5118
1976-1965 352/5.8, 390/6.4
Seal Rope5095
Seal Split Opt.5112S

TIMING COVER

6 Cylinder

1989-1980 232/3.8L, 256/4.2L, 300/4.9L
Seal (front entry)2692
Seal (rear entry)2942
Kwik Slv (Opt Rpr)KWK99187
Harmonic Balancer
Sleeves88187
1979-1965 240/3.9, 300/4.9L
Seal (front)2692
Seal (rear entry)2942
Kwik Slv (Opt Rpr)KWK99187
Harmonic Balancer
Sleeves88187
1974-1961 144/2.4, 170/2.8, 200/3.3
Seal7486S
Kwik Slv (Opt Rpr)KWK99174

8 Cylinder

1989-1965 255/4.2L, 302/5.0L, 351/5.8L,
352/5.8L, 360/5.9L, 390/6.4L,
400/6.6L, 460/7.5L
Seal (front entry)2692
Seal (rear entry)2942
Kwik Slv (Opt Rpr)KWK99187
Harmonic Balancer
Sleeves88187
1964-1963 292/4.8L
Seal350936
Kwik Slv (Opt Rpr)KWK99187
Harmonic Balancer
Sleeves88187

272 [] Indicates Quantity Required; Set Components Listed Inside Rear Cover;

²⁴ Opt. Kit incl. seals 5683 & 5684. Not sold separately

FORD TRUCK - 3/4 TON - E200, F200, E250, F250, Econoline, Parcel Delivery, Pickup

FRONT WHEEL

2WD

1989-1980	E250 Econoline: production from 11/4/1980 on	
	Seal (inner)	4160[2]
	Set (inner)	SET47
	Cone/Cup (outer)	15101-15245[2]
1989-1980	F250: L/D	
	Seal (inner)	4148[2]
	Cone/Cup (inner)	JL69349P-JL69310P[2]
	Set (outer)	SET12FP ⁶⁰
	Cone/Cup (outer) Opt.	LM12749FP-LM12710P[2]
1989-1980	F250: H/D: GVW over 8,500 lb.	
	Seal (inner)	4160[2]
	Set (inner)	SET47
	Cone/Cup (outer)	15101-15245[2]
1980-1975	E250 Econoline: production thru 11/3/1980	
	Seal (inner)	493637[2]
	Set (inner)	SET47
	Cone/Cup (outer)	15101-15245[2]
1979-1975	F250: H/D disc brakes: dual piston calipers: production from chassis #V80001 on	
	Seal (inner)	493637[2]
	Set (inner)	SET47
	Cone/Cup (outer)	15101-15245[2]
1979-1973	F250: std. duty single piston disc brakes	
	Seal (inner)	4148[2]
	Set (inner)	SET13
	Set (outer)	SET12
1975	F250: H/D disc brakes: dual piston calipers: production thru chassis #V80000	
	Seal (inner)	6954S[2]
	Set (inner)	SET45
	Cone/Cup (outer)	15101-15245[2]
1974-1973	F250: H/D disc brakes: dual piston calipers	
	Seal (inner)	6954S[2]
	Set (inner)	SET45
	Cone/Cup (outer)	15101-15245[2]
1974-1968	E200 Econoline	
	Seal (inner)	4148[2]
	Set (inner)	SET5
	Set (outer)	SET3
1972-1968	F250: H/D 2.5" wide drum brakes	
	Seal (inner)	6954S[2]
	Set (inner)	SET45
	Cone/Cup (outer)	15101-15245[2]
1972-1968	F250: disc brakes	
	Seal (inner)	4148[2]
	Set (inner)	SET45
	Cone/Cup (outer)	15101-15245[2]
1972-1965	F250 std. duty 2" wide drum brakes	
	Seal (inner)	4148[2]
	Cone/Cup (inner)	LM29748-LM29710[2]
	Set (outer)	SET3

FRONT WHEEL (cont.)

2WD (cont.)

1967-1965	H/D: 2.5" wide drum brakes	
	Seal (inner)	6954S[2]
	Set (inner)	SET45
	Cone/Cup (outer)	1380-1328[2]
1967-1965	F250: H/D 2.5" wide drum brakes	
	Seal (inner)	6954S[2]
	Set (inner)	SET45
	Cone/Cup (outer)	1380-1328[2]
1964-1957		
	Seal (inner)	44053[2]
	Set (inner)	SET5
	Set (outer)	SET2
1956-1948		
	Seal (inner)	5827[2]
	Cone/Cup (inner)	14130-14276[2]
	Cone/Cup (outer)	09067-09195[2]
1947-1946		
	Seal (inner)	5796[2]
	Cone/Cup (inner)	15118-15250X[2]
	Cone/Cup (outer)	09074-09196[2]

4WD

1989-1977	Dana/Spicer 50, 60 series axles	
	Seal (inner)	415960[2]
	Cone/Cup (inner)	387A-382A[2]
	Set (outer)	SET38
1989-1983	Dana/Spicer 44 series axles	
	Seal (inner)	4250[2]
	Cone/Cup (inner)	LM104949-JLM104910[2]
	Set (outer)	SET45
1982-1980	Dana/Spicer 44 series axles	
	Seal (inner)	4250[2]
	Set (inner)	SET37
	Set (outer)	SET45
1979-1976	Dana/Spicer 44-6CF, 44-9F axles	
	Seal (inner)	4250[2]
	Cone/Cup (inner)	LM104949-JLM104910[2]
	Set (outer)	SET45
1977-1976	Dana/Spicer 60 axle: thru chassis #Y20001	
	Seal (inner)	4250[2]
	Cone/Cup (inner)	368A-362A[2]
	Set (outer)	SET45
1977-1959	Dana/Spicer 44-6CF-HD axle	
	Seal (inner)	416273[2]
	Cone/Cup (inner)	368A-362A[2]
	Set (outer)	SET45
1975-1969	Dana/Spicer 44-6E, 44-6F axles	
	Seal (inner)	4250[2]
	Set (inner)	SET37
	Set (outer)	SET45
1969-1959	Dana/Spicer 44 series axles	
	Seal (inner)	442380[2]
	Set (inner)	SET37
	Set (outer)	SET45

[] Indicates Quantity Required; Set Components Listed Inside Rear Cover;
⁶⁰ O.E. Polymer Cage - Customized For Performance

Bearings and Seals

Mfg./Year Model & Location Part No Mfg./Year Model & Location Part No

FORD TRUCK - 3/4 TON - E200, F200, E250, F250, Econoline, Parcel Delivery, Pickup (cont.)

REAR WHEEL

1989-1980	E250 Econoline: semi-floating axle: 10.25" ring gear	
Seal	710067[2]	
Cyl. Bearing	R1561TV[2]	
Kit	TF01561R[2] ¹⁹	
1989-1981	E250 Econoline: Spicer 60, 61, 70 full-floating axles	
Seal (inner)	9864S[2]	
Cone/Cup (inner)	387AS-382A[2]	
Set (outer)	SET38	
1989-1985	E250 Econoline: full-floating axle: 10.25" ring gear	
Seal (inner)	370047A[2] ⁵⁷	
Cone/Cup (inner)	3994-3920[2]	
Set (outer)	SET38	
1989-1981	F250: Spicer 60, 61, 70 full-floating axles	
Seal (inner)	9864S[2]	
Cone/Cup (inner)	387AS-382A[2]	
Set (outer)	SET38	
1989-1980	F250: semi-floating axle: 10.25" ring gear	
Seal	710067[2]	
Cyl. Bearing	R1561TV[2]	
Kit	TF01561R[2] ¹⁹	
1989-1985	F250: full-floating axle: 10.25" ring gear: production thru 3/1994	
Seal (inner)	370047A[2] ⁵⁷	
Cone/Cup (inner)	3994-3920[2]	
Set (outer)	SET38	
1980-1975	E250 Econoline: 5300 lb. axle	
Seal (inner)	4250[2]	
Set (inner)	SET38	
Set (outer)	SET38	
1979-1969	F250: Spicer 60, 60-2 full-floating axles: from chassis #F70001 on	
Seal (inner)	4250[2]	
Set (inner)	SET38	
Set (outer)	SET38	
1979-1968	E200 Econoline: Dana/Spicer 60-1, 60-3 full-floating axles	
Seal (inner)	4250[2]	
Set (inner)	SET38	
Set (outer)	SET38	
1979-1968	E250 Econoline: Dana/Spicer 60-1, 60-3 full-floating axles	
Seal (inner)	4250[2]	
Set (inner)	SET38	
Set (outer)	SET38	
1974-1973	E200 Econoline: 3300 lb. Ford axle: tapered bearing	
Seal	3195[2]	
Set	SET20	
1974-1973	E200 Econoline: 3600 lb. axle: ball bearing	
Cyl. Bearing	RUB1580EBFR[2]	
1974-1973	E200 Econoline: 3600 lb. Ford axle: tapered bearing	
Seal	3195[2]	
Set	SET20	

REAR WHEEL (cont.)

1974-1969	E200 Econoline: Dana Power Lock	
Seal	472747[2]	
Set	SET7	
1974-1968	E200 Econoline: 3300 lb. Ford axle: ball bearing	
Seal	51098[2]	
Bearing	514003P[2]	
1969	E250 Econoline: 4800 lb. axle: to chassis #30001	
Cone/Cup (inner)	18790-18720[2]	
Cone/Cup (outer)	25592-25520[2]	
1969-1966	F250: H/D brakes: thru chassis #F70000	
Seal (inner)	472856[2]	
Cone/Cup (inner)	18790-18720[2]	
Cone/Cup (outer)	25592-25520[2]	
1969-1953	F250: std duty brakes: thru chassis #F70000	
Seal (inner)	410987[2]	
Cone/Cup (inner)	18790-18720[2]	
Cone/Cup (outer)	18690-18620[2]	
1952-1948		
Seal (inner)	410987[2]	
Cone/Cup (inner)	18790-18720[2]	
Cone/Cup (outer)	18690-18620[2]	
1947-1946		
Seal (inner)	450103[2]	
Cone/Cup (inner)	18790-18720[2]	
Cone/Cup (outer)	18690-18620[2]	

FRONT AXLE

Spindle Kit

1989-1984	Spicer 44 IFS (second design)	
Bearing & Seal Kit	SBK4 ³⁶	
1989-1980	Spicer 50.5	
Bearing & Seal Kit	SBK3 ³⁵	
1984-1980	Spicer 44 IFS (first design)	
Bearing & Seal Kit	SBK1 ³³	

Spindle

1989-1980	Spicer 50.5	
Seal (inner)	710044	
Needle Bearing (inner)	B2414	
Seal (outer)	710045	
1989-1977	Spicer 44	
Seal (inner)	722109	
Needle Bearing (inner)	B2110	
Seal (outer)	722108	

4WD FRONT AXLE

Axle Shaft

1989-1983	Dana/Spicer 44 series, 50 series axles	
Seal (LH)	710043	
Seal (RH)	470672	
Cyl. Bearing (RH)	5707	

274 [] Indicates Quantity Required; Set Components Listed Inside Rear Cover;

¹⁹ Opt. Axle Repair Bearing. Replaces O.E. bearing & seal. ³³ Opt. Kit incl: Bearing B2110; Seals 722108 & 722109 ³⁵ Opt. Kit incl: Bearing B2414; Seals 710044 & 710045 ³⁶ Opt. Kit incl: Bearing B2110; Seals 722108 & 722109; Ring/not sold separately ⁵⁷ Oil Bath Seal

FORD TRUCK - 3/4 TON - E200, F200, E250, F250, Econoline, Parcel Delivery, Pickup (cont.)

4WD FRONT AXLE (cont.)

Axle Shaft (cont.)

1982-1980	Dana/Spicer 44 series axles	
Seal (LH)	710043
Seal (RH)	2146
Set (RH)	SET9

Differential Rebuild Kit

1989-1980	Dana/Spicer 50 series axles	
Kit	DRK336
1989-1967	Dana/Spicer 44 series axles	
Kit	DRK339B
1979-1973	Dana/Spicer 60 series axles	
Kit	DRK331

Differential

1989-1967	Dana/Spicer 44 series axles	
Cone/Cup	25590-25523[2]
1989-1980	Dana/Spicer 50 series axle	
Cone/Cup	JLM104948-LM104911A[2]
1979-1973	Dana/Spicer 60 series axle	
Cone/Cup	387A-382S[2]
1966-1959	Dana/Spicer 44 series axles	
Cone/Cup	25577-25523[2]

Pinion

1989-1980	Dana/Spicer 50 series axle	
Cone/Cup (inner)	HM88649-HM88610
Seal (outer)	5778
Cone/Cup (outer)	02872-02820
1989-1959	Dana/Spicer 44 series axles	
Cone/Cup (inner)	31594-31520
Seal (outer)	5778
Cone/Cup (outer)	02872-02820
1979-1973	Dana/Spicer 60 series axle	
Cone/Cup (inner)	HM803146-HM803110
Seal (outer)	9316
Cone/Cup (outer)	HM88542-HM88510

Spindle Kit

1989-1985	Dana/Spicer 44 series axles	
Bearing & Seal Kit	SBK4 ³⁶
1989-1980	Dana/Spicer 50 series axle	
Bearing & Seal Kit	SBK3 ³⁵
1984	Dana/Spicer 44 series axles: early: non-bonded v-ring	
Bearing & Seal Kit	SBK1 ³³
1984	Dana/Spicer 44 series axles: late: bonded v-ring	
Bearing & Seal Kit	SBK4 ³⁶
1983-1973	Dana/Spicer 44 series axles	
Bearing & Seal Kit	SBK1 ³³
1979-1973	Dana/Spicer 60 series axle	
Bearing & Seal Kit	SBK3 ³⁵

4WD FRONT AXLE

Spindle

1989-1980	Dana/Spicer 50 series axle	
Seal (inner)	710044[2]
Needle Bearing (inner)	B2414[2]
Seal (outer)	710045[2]
1989-1976	Dana/Spicer 44 series axles: from chassis #B50000	
Seal (inner)	722108[2]
Needle Bearing (inner)	B2110[2]
Seal (outer)	722109[2]
1979-1973	Dana/Spicer 60 series axle	
Seal (inner)	710044[2]
Needle Bearing (inner)	B2414[2]
Seal (outer)	710045[2]
1976-1973	Dana/Spicer 44 series axles: thru chassis #B49999	
Seal (inner)	4250[2]
Needle Bearing (inner)	B2110[2]
Seal (outer)	7780N[2]
1972-1959	Dana/Spicer 44 series axles	
Seal	472394[2]
Needle Bearing	B2110[2]

Steering Knuckle

1989-1980	Dana/Spicer 50 series axle	
Seal	710304[2]
Cone/Cup	23100-23256[2]
1979-1973	Dana/Spicer 60-3 axle	
Seal	710304[2]
Cone/Cup	23100-23256[2]
1979-1959	Dana/Spicer 44-6CFHD axle	
Seal	710304[2]
Cone/Cup	23100-23256[2]
1977-1959	Dana/Spicer 44, 44-6E, 44-6F axles	
Seal	204005S[2]
Cone/Cup	11590-11520[2]

Differential: Output Shaft

1983-1980	Bearing Assy	U298-9A010[2]
------------------	--------------	-------	---------------

REAR AXLE

Differential Rebuild Kit

1989-1985	10.25" ring gear	
Kit	DRK314
1989-1954	Dana/Spicer 60, 61 series axles	
Kit	DRK331
1985-1983	Dana/Spicer 70 series axle	
Kit	DRK332U
1974-1970	9" ring gear: production from 5/11/1970 on	
Kit	DRK313
1970-1969	9" ring gear: production thru 5/10/1970	
Kit	DRK312

[] Indicates Quantity Required; Set Components Listed Inside Rear Cover;

³³ Opt. Kit incl: Bearing B2110; Seals 722108 & 722109 ³⁵ Opt. Kit incl: Bearing B2414; Seals 710044 & 710045 ³⁶ Opt. Kit incl: Bearing B2110; Seals 722108 & 722109; Ring/not sold separately

Bearings and Seals

Mfg./Year Model & Location Part No Mfg./Year Model & Location Part No

FORD TRUCK - 3/4 TON - E200, F200, E250, F250, Econoline, Parcel Delivery, Pickup (cont.)

REAR AXLE

Differential

1989-1985	10.25", 10,5" ring gear	
Cone/Cup	469-453X[2]
1989-1954	Dana/Spicer 60, 61, 70 series axles	
Cone/Cup	387A-382S[2]
1988-1970	9" ring gear: production from 5/11/1970 on	
Set	SET47[2]
1970-1968	9" ring gear: production thru 5/10/1970	
Set	SET45[2]
1969-1968	8.375" ring gear	
Cone/Cup	28580-28521[2]
1955-1953	Rockwell A150 axle	
Cone/Cup (LH)	28580-28521
Cone/Cup (RH)	18790-18720

Pinion

1989	Dana/Spicer 60-1U axle	
Cone/Cup (inner)	HM803146-HM803110
Seal Viton (outer)	719316
Cone/Cup (outer)	HM88542-HM88510
1988-1987	Dana/Spicer 60-3, 61-2 axles	
Cone/Cup (inner)	HM803146-HM803110
Seal (outer)	9316
Cone/Cup (outer)	HM88542-HM88510
1988-1987	Dana/Spicer 61-1 axle	
Cone/Cup (inner)	HM803146-HM803110
Seal Viton (outer)	719316
Cone/Cup (outer)	HM88542-HM88510
1988-1969	9" ring gear	
Cone/Cup (inner)	M88048-M88010
Seal (outer)	7044NA
Cone/Cup (outer)	M88048-M88010
1986-1970	Dana/Spicer 60, 61 series axles: from chassis#G90001	
Cone/Cup (inner)	HM803146-HM803110
Seal (outer)	9316
Cone/Cup (outer)	HM88542-HM88510
1985-1983	Dana/Spicer 70 series axle	
Cone/Cup (inner)	HM803149-HM803110
Seal (outer)	9316
Cone/Cup (outer)	HM88542-HM88510
1972-1968	8.375" ring gear	
Cone/Cup (inner)	M88048-M88010
Seal (outer)	7044NA
Cone/Cup (outer)	M88048-M88010
1970-1954	Dana/Spicer 60 series axles: thru chassis #G90000	
Cone/Cup (inner)	HM803146-HM803110
Seal (outer)	6808N
Cone/Cup (outer)	HM88542-HM88510
1955-1953	Rockwell A150 axle	
Cone/Cup (inner)	HM804840-HM804810
Seal (outer)	451078
Cone/Cup (outer)	HM89443-HM89410

TRANSFER CASE REBUILD KIT

1989-1987	Warner 1356	
Kit	TCRK1356
1989-1981	Warner 1345	
Kit	TCRK1345
1986-1980	New Process 208	
Kit	TCRK208SPK ⁴⁷
1979-1973	New Process 205: manual trans	
Kit	TCRK205F
1979-1973	New Process 205: automatic trans	
Kit	TCRK205FA
1979-1973	New Process 203	
Kit	TCRK203F

TRANSFER CASE

Input Shaft

1989-1987	Warner 1356	
Seal	714503
Bearing	110CB
Needle Bearing (pilot)	BK3026
1989-1981	Warner 1345	
Seal	710062
Kwik Slv (Opt Rpr)	KWK99175
1986-1980	New Process 208	
Seal	3173[2]
Needle Bearing	B5020[2]
Seal Dual Lip	710928[2]
Kwik Slv (Opt Rpr)	KWK99193
Needle Bearing (pilot)	B2012
Needle Bearing Thrust	AXK5070
1979	New Process 203	
Seal	3173[2]
Bearing	1210L[2]
Kwik Slv (Opt Rpr)	KWK99193[2]
1979-1973	New Process 205: manual trans	
Seal	473468[2]
Bearing	1307L[2]
Kwik Slv (Opt Rpr)	KWK99212[2]
1979-1973	New Process 205: automatic trans	
Seal	471869[2]
Bearing	1210L[2]
Kwik Slv (Opt Rpr)	KWK99193[2]
1978-1973	New Process 203	
Seal	473468[2]
Bearing	1210L[2]
Kwik Slv (Opt Rpr)	KWK99212[2]
1972-1966	Spicer 21	
Seal	473179
Bearing	307L
Kwik Slv (Opt Rpr)	KWK99187

Front Output Shaft

1989-1987	Warner 1356	
Seal	714503
Bearing	207
Needle Bearing (pilot)	B2012

276 [] Indicates Quantity Required; Set Components Listed Inside Rear Cover;

⁴⁷ Includes Small Parts Kit

FORD TRUCK - 3/4 TON - E200, F200, E250, F250, Econoline, Parcel Delivery, Pickup (cont.)

TRANSFER CASE (cont.)

Front Output Shaft (cont.)

1989-1981	Warner 1345	
Seal	3946
Bearing	207
Kwik Slv (Opt Rpr)	KWK99187
Needle Bearing (pilot)	B2012
1986-1980	New Process 208	
Seal	3946
Needle Bearing	B2816
Kwik Slv (Opt Rpr)	KWK99187
Needle Bearing (pilot)	J2416
Needle Bearing Thrust	NTA2840[2]
1979	New Process 203 (2.125" shaft)	
Seal	473468
Bearing	307L[2]
Kwik Slv (Opt Rpr)	KWK99212
Needle Bearing (pilot)	M28161
1979	New Process 203 (2.062" shaft)	
Seal	450307
Bearing	307L[2]
Kwik Slv (Opt Rpr)	KWK99205
Needle Bearing (pilot)	M28161
1979-1973	New Process 205	
Seal	473468
Bearing	307L[2]
Kwik Slv (Opt Rpr)	KWK99212
Needle Bearing (pilot)	M28161
1978	New Process 203	
Seal	473457
Bearing	307L[2]
Kwik Slv (Opt Rpr)	KWK99187
Needle Bearing (pilot)	M28161
1977-1973	New Process 203	
Seal	710005
Bearing	307L[2]
Kwik Slv (Opt Rpr)	KWK99174
Needle Bearing (pilot)	M28161
1976-1966	Spicer 21	
Seal	450185
Cone/Cup	14131-14276[2]
Kwik Slv (Opt Rpr)	KWK99156

Rear Output Shaft

1989-1987	Warner 1356 (slip yoke)	
Seal	4503N
Bearing	207
1989-1987	Warner 1356 (fixed yoke)	
Seal	4333N
Bearing	207
1989	Warner 1345 (booted)	
Seal	4333N
Bearing	207
Needle Bearing (pilot)	B2812
1989-1981	Warner 1345 (non-booted)	
Seal	3946
Bearing	207
Kwik Slv (Opt Rpr)	KWK99187
Needle Bearing (pilot)	B2812

TRANSFER CASE (cont.)

Rear Output Shaft (cont.)

1986-1980	New Process 208 (slip yoke)	
Seal	4333N
Bearing	1207L
Needle Bearing (pilot)	B3616
Needle Bearing Thrust	TC2435
1986-1980	New Process 208 (fixed yoke)	
Seal	3946
Bearing	1207L
Kwik Slv (Opt Rpr)	KWK99187
Needle Bearing (pilot)	B3616
Needle Bearing Thrust	TC2435
1979	New Process 205	
Seal	473457
Bearing	307L
Kwik Slv (Opt Rpr)	KWK99187
Needle Bearing (pilot)	B3216
1979	New Process 203	
Seal	473468
Bearing	307L
Kwik Slv (Opt Rpr)	KWK99212
Needle Bearing (pilot)	B3216
1978-1973	New Process 205	
Seal	473468
Bearing	307L
Kwik Slv (Opt Rpr)	KWK99212
Needle Bearing (pilot)	B3616
1978-1973	New Process 203	
Seal	473204
Bearing	307L
Kwik Slv (Opt Rpr)	KWK99212
Needle Bearing (pilot)	QAR29523[15]
1976-1966	Spicer 21	
Cone/Cup (front)	25877-25821
Seal (rear)	470682
Cone/Cup (rear)	M86649-M86610
Kwik Slv (Opt Rpr)	KWK99156

Intermediate Shaft

1979-1973	New Process	
Cone/Cup	2793-2720[2]
1979-1966	Spicer	
Bearing	1207L[2]

Oil Pump Housing

1986-1973	New Process	
Seal	341022
Kwik Slv (Opt Rpr)	KWK99225

Selector Shaft Seal/Man. Shaft

1989-1987	Warner	
Seal	330385
Kwik Slv (Opt Rpr)	KWK99225
1979-1973	New Process 205	
Seal	2287[2]
Kwik Slv (Opt Rpr)	KWK99076
1976-1966	Spicer	
Seal	470009[2]
Kwik Slv (Opt Rpr)	KWK99076[2]

Bearings and Seals

Mfg./Year Model & Location Part No Mfg./Year Model & Location Part No

FORD TRUCK - 3/4 TON - E200, F200, E250, F250, Econoline, Parcel Delivery, Pickup (cont.)

TRANSMISSION REBUILD KIT

1989-1987 ZF S5-42, S5-47
 KitTRK300ZFI

3-SPEED AUTOMATIC TRANSMISSION

Torque Converter

1989-1964 C4, C5, C6
 Seal331107N
 Kwik Slv (Opt Rpr)KWK99199
1976-1965 Cruise-o-Matic
 Seal331107N
 Kwik Slv (Opt Rpr)KWK99199
1964-1953 Ford-o-Matic
 Seal6988H
 Kwik Slv (Opt Rpr)KWK99193

Rear Seal/Ext. Housing

1989-1980 C6
 Seal410308
1986-1964 C4 (booted), C5
 Seal7692S
 Seal Kit5202⁶⁴
1979-1965 C6 (3.066" O.D.)
 Seal410308
1979-1965 C6 (2.506" O.D.)
 Seal7300S
 Seal Kit5203⁶⁴
1976-1965 Cruise-o-Matic
 Seal7300S
 Seal Kit5203⁶⁴
1972-1964 C4 (non-booted)
 Seal470687
1964-1953 Ford-o-Matic
 Seal7692S
 Seal Kit5202⁶⁴

Selector Shaft Seal/Man. Shaft

1989-1964 C6
 Seal7929S
1986-1964 C4, C5
 Seal240816
 Kwik Slv (Opt Rpr)KWK99076
1976-1953 exc. C4, C5, C6
 Seal7929S

4-SPEED AUTOMATIC TRANSMISSION

Torque Converter

1989 4R70W, AODEW, E4OD
 Seal3404
1989-1980 AOT (AOD)
 Seal331107N
 Kwik Slv (Opt Rpr)KWK99199

4-SPEED AUTOMATIC TRANSMISSION

Rear Seal/Ext. Housing

1989 E4OD
 Seal7300S
 Seal Kit5203⁶⁴
1989-1980 AOT (AOD): long boot
 Seal7692S
 Seal Kit5202⁶⁴

Selector Shaft Seal/Man. Shaft

1989-1980
 Seal7929S

CLUTCH - 6 CYLINDER

Pilot Bearing

1989-1968 6-cylinder 300 (4.9)
 Needle BearingFC65662
1974-1965 6-cylinder 240 (3.9)
 Needle BearingFC65662
1970-1967 6-cylinder 170 (2.8)
 Needle BearingFC65174
1959-1954 6-cylinder 223 (3.6)
 Bearing203S
1953-1951 6-cylinder 215 (3.5)
 Bearing203S
1950-1948 6-cylinder 226 (3.7)
 Bearing203S

CLUTCH

Pilot Bearing

1989-1988 8-cylinder 444 (7.3) diesel
 Needle BearingFC65662
1989-1983 8-cylinder 460 (7.5)
 Needle BearingFC66067
1989-1968 8-cylinder 302 (5.0)
 Needle BearingFC65662
1989-1968 8-cylinder 351 (5.8)
 Needle BearingFC65662
1987-1983 8-cylinder 420 (6.9) diesel
 Needle BearingFC65662
1982-1965 8-cylinder 400 (6.6)
 Bushing H/DPB50DHD
1979-1965 8-cylinder 360 (5.9)
 Bushing H/DPB50DHD
1979-1965 8-cylinder 390 (6.4)
 Bushing H/DPB50DHD
1975-1965 8-cylinder 360 (5.9)
 Bushing H/DPB50DHD
1967 8-cylinder 352 (5.8)
 Bushing H/DPB50DHD
1964-1963 8-cylinder 292 (4.8)
 Bearing203S
1956-1953 8-cylinder 272 (4.4)
 Bearing203S
1956-1946 8-cylinder 239 (3.9)
 Bearing203S

FORD TRUCK - 3/4 TON - E200, F200, E250, F250, Econoline, Parcel Delivery, Pickup (cont.)

CLUTCH

Release Bearing

1989-1988	8-cylinder 444 (7.3) diesel	
	Bearing Assy	614062
1989-1987	8-cylinder 420 (6.9) diesel:	
	5-speed	
	Bearing Assy	614062
1989-1987	8-cylinder 460 (7.5): 5-speed	
	Bearing Assy	614062
1989-1988	6-cylinder 300 (4.9): 4-speed:	
	mechanical mechanism	
	Bearing Assy	614014
1989-1988	8-cylinder 302 (5.0): 4-speed:	
	mechanical mechanism	
	Bearing Assy	614014
1989-1988	8-cylinder 351 (5.8): 4-speed:	
	mechanical mechanism	
	Bearing Assy	614014
1989-1983	8-cylinder 460 (7.5): 4-speed	
	Bearing Assy	614014
1989-1988	8-cylinder 302 (5.0): 5-speed:	
	hydraulic mechanism	
	Bearing Assy	614061
1989-1988	8-cylinder 351 (5.8): 5-speed:	
	hydraulic mechanism	
	Bearing Assy	614061
	Bearing Assy	614169
1987-1983	6-cylinder 300 (4.9)	
	Bearing Assy	614014
1987-1983	8-cylinder 302 (5.0)	
	Bearing Assy	614014
1987-1983	8-cylinder 351 (5.8)	
	Bearing Assy	614014
1986-1983	8-cylinder 420 (6.9) diesel:	
	4-speed	
	Bearing Assy	614014
1982-1980	8-cylinder 400 (6.6)	
	Bearing Assy	614034
1982-1978	6-cylinder 300 (4.9)	
	Bearing Assy	614038
1982-1978	8-cylinder 302 (5.0)	
	Bearing Assy	614038
1982-1978	8-cylinder 351 (5.8)	
	Bearing Assy	614038
1979-1965	8-cylinder 360 (5.9)	
	Bearing Assy	614034
1979-1965	8-cylinder 390 (6.4)	
	Bearing Assy	614034
1979-1965	8-cylinder 400 (6.6)	
	Bearing Assy	614034
1977-1968	8-cylinder 302 (5.0): 10" disc and	
	smaller	
	Bearing Assy	614038
1977-1968	8-cylinder 302 (5.0): 10.4" disc	
	and larger: H/D	
	Bearing Assy	614034
1977-1968	8-cylinder 351 (5.8): 10" disc and	
	smaller	
	Bearing Assy	614038

CLUTCH (cont.)

Release Bearing (cont.)

1977-1968	8-cylinder 351 (5.8): 10.4" disc	
	and larger: H/D	
	Bearing Assy	614034
1977-1965	6-cylinder 240 (3.9): 10" disc and	
	smaller	
	Bearing Assy	614038
1977-1965	6-cylinder 240 (3.9): 10.4" disc	
	and larger: H/D	
	Bearing Assy	614034
1977-1965	6-cylinder 300 (4.9): 10" disc and	
	smaller	
	Bearing Assy	614038
1977-1965	6-cylinder 300 (4.9): 10.4" disc	
	and larger: H/D	
	Bearing Assy	614034
1975-1965	8-cylinder 352 (5.8)	
	Bearing Assy	614034
1970-1968	6-cylinder 170 (2.8): 8.5" disc	
	Bearing Assy	614038
1970-1968	6-cylinder 170 (2.8): 10" disc	
	Bearing Only	F1505C
1964	6-cylinder 262 (4.3)	
	Bearing Only	2065C
1964-1963	8-cylinder 292 (4.8)	
	Bearing Only	F2065C
1964-1957	6-cylinder 215 (3.5)	
	Bearing Only	F2065C
1964-1957	6-cylinder 223 (3.6)	
	Bearing Only	F2065C
1964-1957	6-cylinder 226 (3.7)	
	Bearing Only	F2065C
1956-1953		
	Bearing Only	F2065C
1952-1946		
	Bearing Only	2065

3-SPEED MANUAL TRANSMISSION

Front Input Shaft

1986-1963	Tremac	
	Seal	3638
	Bearing	208LO
	Kwik Slv (Opt Rpr)	KWK99112
1971-1965	Warner T85	
	Seal	7412S
	Bearing	307L
	Kwik Slv (Opt Rpr)	KWK99125
1971-1959	Warner T89	
	Bearing	307L
1967-1959	Warner T87	
	Bearing	1209L
1966-1965	Ford 2.77 (HED, RED)	
	Seal	480210
	Kwik Slv (Opt Rpr)	KWK99106
1964-1953	Warner T86	
	Seal	450326
	Bearing	207L
	Kwik Slv (Opt Rpr)	KWK99149

Bearings and Seals

Mfg./Year Model & Location Part No Mfg./Year Model & Location Part No

FORD TRUCK - 3/4 TON - E200, F200, E250, F250, Econoline, Parcel Delivery, Pickup (cont.)

3-SPEED MANUAL TRANSMISSION

(cont.)

Front Input Shaft (cont.)

1962-1953	Ford L/D	
Seal	482208
Bearing	207L
Kwik Slv (Opt Rpr)	KWK99112

Rear Output Shaft

1986-1963	Tremac	
Seal	7692S
Bearing	207L
Seal Kit	5202 ⁶⁴
1977-1959	Warner T87, T89	
Seal	473468
Bearing	307L
1971-1965	Warner T85	
Seal	470059
Bearing	307L
Seal Kit	5201 ⁶⁴
1966-1965	Ford 2.77 (HED, RED): 1.5" shaft	
Seal	470059
Bearing	206L
Seal Kit	5201 ⁶⁴
1966-1965	Ford 2.77 (HED, RED): 1.375" shaft	
Seal	7495S
Bearing	206L
Seal Kit	5204 ⁶⁴
1964-1953	Warner T86	
Seal	470059
Bearing	207L
Seal Kit	5201 ⁶⁴
1962-1953	Ford L/D (1.378" shaft)	
Seal	470059
Bearing	207L
1962-1953	Ford L/D (1.181" shaft)	
Seal	470059
Bearing	306L
Seal Kit	5201 ⁶⁴

Selector Shaft Seal/Man. Shaft

1971-1953	Warner T85, T86, T89	
Seal	340797
Kwik Slv (Opt Rpr)	KWK99059
1967-1948	Warner T87	
Seal	7399S
Kwik Slv (Opt Rpr)	KWK99062

4-SPEED MANUAL TRANSMISSION

Transmission Rebuild Kit

1987-1966	New Process 435	
Kit	TRK127
1982-1966	Warner T18	
Kit	TRK82F

4-SPEED MANUAL TRANSMISSION

Input Shaft

1989-1983	Warner T18	
Seal	7412S
Bearing	308LTB
Kwik Slv (Opt Rpr)	KWK99125
1989-1980	Tremac	
Seal	3638
Bearing	308LTB
Kwik Slv (Opt Rpr)	KWK99112
1987-1965	New Process 435	
Seal	482163N
Cone/Cup	HM88649-HM88610
Kwik Slv (Opt Rpr)	KWK99138
1982-1980	Warner T18	
Seal	7412S
Bearing	308LI
Kwik Slv (Opt Rpr)	KWK99125
1979-1978	Tremac	
Seal	482208
Bearing	308LTB
Kwik Slv (Opt Rpr)	KWK99112
1979-1965	Warner T18	
Seal	7412S
Bearing	308LTB
Kwik Slv (Opt Rpr)	KWK99125
1964-1963	Dagenham Design	
Seal	482208
Bearing	307L
Kwik Slv (Opt Rpr)	KWK99112
1964-1948	Warner T98	
Bearing	308LI
1952-1946	Warner T9	
Bearing	209BB
1952-1946	Warner T8	
Bearing	1209L

Rear Output Shaft

1989-1984	Warner T18: 28-spline	
Seal	7692S
Bearing	308LI
Seal Kit	5202 ⁶⁴
1989-1985	Tremac 2nd design	
Seal	7692S
Bearing	308L
Seal Kit	5202 ⁶⁴
1987-1984	Warner T18 (31 spline)	
Seal	473442
Bearing	308LI
1987-1980	New Process 435	
Seal	471271
Bearing	1308L
1985-1978	Tremac 1st design	
Seal	7692S
Bearing	308LTB
Seal Kit	5202 ⁶⁴
1983-1980	Warner T18 (31 spline)	
Seal	473442
Bearing	1308L

FORD TRUCK - 3/4 TON - E200, F200, E250, F250, Econoline, Parcel Delivery, Pickup (cont.)

4-SPEED MANUAL TRANSMISSION

(cont.)

Rear Output Shaft (cont.)

1983-1980	Warner T18: 28-spline	
Seal	7692S	
Bearing	1308L	
Seal Kit	5202 ⁶⁴	
1979	New Process 435 (3.066" O.D.)	
Seal	473468	
Bearing	1308L	
1979	New Process 435 (2.378" O.D.)	
Seal	7692S	
Bearing	1308L	
Seal Kit	5202 ⁶⁴	
1979-1973	Warner T18 (35 spline)(3.256" O.D.)	
Seal	450519	
Bearing	308L	
1979-1965	Warner T18: 28-spline	
Seal	470059	
Bearing	308L	
1978-1977	New Process 435 (3.066" O.D.)	
Seal	473468	
Bearing	1308L	
1978-1965	New Process 435 (2.378" O.D.)	
Seal	470059	
Bearing	1308L	
Seal Kit	5201 ⁶⁴	
1978-1965	New Process 435 (3.256" O.D.)	
Seal	450519	
Bearing	1308L	
1972-1965	Warner T18: 10-splines: 3.066" OD	
Seal	450308	
Bearing	308L	
1964-1963	Dagenham Design	
Seal	7495S	
Bearing	206L	
Seal Kit	5204 ⁶⁴	
1964-1948	Warner T98	
Seal	450308	
Bearing	307L	
1952-1946	Warner T8, T9	
Seal	450308	
Bearing	307L	

Selector Shaft Seal/Man. Shaft

1989-1978	Tremac	
Seal	313156	
1964-1963	Dagenham Design	
Seal	7399S	
Kwik Slv (Opt Rpr)	KWK99062	

5-SPEED MANUAL TRANSMISSION

Front Input Shaft

1989-1987	ZF S5-42, S5-47	
Seal Viton	713771	
Cone/Cup	28580-28521	
Kwik Slv (Opt Rpr)	KWK99139	
1989-1988	Mazda	
Seal	223012	
Kwik Slv (Opt Rpr)	KWK99114	

Front Input Shaft Pocket

1989-1987	ZF S5-42	
Cone	JH13349	

Countershaft

1989-1987	ZF S5-42	
Cone/Cup	2580-2520[2]	

Rear Output Shaft

1989-1988	Mazda	
Seal	710415	
1989-1987	ZF S5-42: 4x4 application	
Seal	1217	
Cone/Cup	J28573-28521	
1989-1987	ZF S5-42: 4x2 application	
Seal	225010	
Cone/Cup	J28573-28521	

A/C COMPRESSOR

1989	Nippondenso FX 15 (axial)	
Bearing	5106WCC	
1989-1988	Sanden SD 709 (axial)	
Bearing	5001KFF	
1989-1982	Ford FS6 (axial)	
Bearing	5000KFF	
1987-1984	Tecumseh HR980 (radial); Nippondenso 6E171 (axial)	
Bearing	5000KFF	
1984-1966	Tecumseh; York; (axial)	
Bearing	5106WCC	
Bearing (rear)	203AB	

DRIVESHAFT SUPPORT

1989-1973	Spicer 1410: 1.5748" bearing ID, 2.25" height	
Hanger Bearing Assy	HB88508A	
1989-1955	Spicer 1260, 1280, 1310, 1410, 1480: 1.3780 bearing ID	
Bearing	88107	
Hanger Bearing Assy	HB88107A	
1983-1973	Cleveland 055: 1.5748" bearing ID, 2.25" height	
Hanger Bearing Assy	HB88508A	
1983-1955	Spicer 1410, 1650: 1.7717" bearing ID	
Bearing	88509	
Hanger Bearing Assy	HB88509	
1979-1955	Spicer: 1.9685" bearing ID	
Hanger Bearing Assy	HB88510A	

[] Indicates Quantity Required; Set Components Listed Inside Rear Cover;
⁶⁴ Opt. Seal and Bushing Kit

Bearings and Seals

Mfg./Year Model & Location Part No Mfg./Year Model & Location Part No

FORD TRUCK - 3/4 TON - E200, F200, E250, F250, Econoline, Parcel Delivery, Pickup (cont.)

DRIVESHAFT SUPPORT (cont.)

1979-1955	Spicer: 2.3622" bearing ID	
	Hanger Bearing Assy	HB88512AHD
1979-1955	Spicer 1410, 1480: 1.5748" bearing ID, 2.5" height	
	Bearing	88508
	Hanger Bearing Assy	HB88508
1975-1965	Cleveland 055: 1.5000" bearing ID	
	Hanger Bearing Assy	HB2
1975-1965	Cleveland R55: 1.3750" bearing ID	
	Hanger Bearing Assy	HB1
1975-1965	Cleveland S55: 1.3750" bearing ID	
	Hanger Bearing Assy	HB1
1954-1948	1.378" bearing ID	
	Bearing	207

POWER STEERING

Pitman Shaft

1982-1974	E200; E250	
	Seal Kit	PSK1 ²⁴

Pump Shaft

1989-1975	Saginaw pump	
	Seal	7013S
1989-1969	Ford pump	
	Seal	8773S

MANUAL STEERING

Pitman Shaft

1982-1980	Saginaw design	
	Seal	313842
1982-1966	Ford design	
	Seal	340151

Worm Shaft

1989-1983		
	Seal	221922
1982-1966	Saginaw	
	Seal	480821
	Bearing	8537[2]

CRANKSHAFT REAR SEAL

6 Cylinder

1989-1965	240/3.9, 300/4.9L	
	Seal Viton	2377
	Seal PTFE H/D Opt.	5278
	Kwik Slv (Opt Rpr)	KWK99372
1970-1968	170/2.8	
	Seal Rope	5095
	Seal Split Opt.	5116

CRANKSHAFT REAR SEAL

8 Cylinder

1989-1984	281/4.6L, 302/5.0L, 330/5.4L	
	Seal Viton	3909
	Seal PTFE H/D Opt.	5277
	Kwik Slv (Opt Rpr)	KWK99363
1989-1984	351/5.8L	
	Seal Viton	2377
	Seal PTFE H/D Opt.	5278
	Kwik Slv (Opt Rpr)	KWK99372
1989-1973	460/7.5L	
	Seal Rope	5095
	Seal Split Opt.	5118
1989-1983	420/6.9L, 444/7.3L Diesels	
	Seal Viton	3893V
	Kwik Slv (Opt Rpr)	KWK99372
1983	351/5.8L (W) To 7/10/83	
	Seal Rope	5095
	Seal Split Opt.	5117
1983	351/5.8L (W) From 7/10/83	
	Seal Viton	2377
	Seal PTFE H/D Opt.	5278
	Kwik Slv (Opt Rpr)	KWK99372
1983	302/5.0L Thru 11/82	
	Seal Rope	5095
	Seal Split Opt.	5108
1983	302/5.0L From 12/82	
	Seal Viton	3909
	Seal PTFE H/D Opt.	5277
	Kwik Slv (Opt Rpr)	KWK99363
1982-1968	351/5.8L, 360/5.9L, 400/6.6L	
	Seal Rope	5095
	Seal Split Opt.	5117
1982-1968	302/5.0L	
	Seal Rope	5095
	Seal Split Opt.	5108
1976-1965	352/5.8, 390/6.4	
	Seal Rope	5095
	Seal Split Opt.	5112S

TIMING COVER

6 Cylinder

1989-1965	256/4.2L, 300/4.9L	
	Seal (front entry)	2692
	Seal (rear entry)	2942
	Kwik Slv (Opt Rpr)	KWK99187
1970-1968	170/2.8	
	Seal	7486S
	Kwik Slv (Opt Rpr)	KWK99174
1964-1952	215/3.5L, 223/3.6L	
	Seal	350936
	Kwik Slv (Opt Rpr)	KWK99187
	Harmonic Balancer	
	Sleeves	88187

FORD TRUCK - 3/4 TON - E200, F200, E250, F250, Econoline, Parcel Delivery, Pickup (cont.)

TIMING COVER

8 Cylinder

1989-1983	420/6.9L, 444/7.3L Diesels	
Seal Viton	3894V	
Seal	5066 ²⁶	
1989-1965	302/5.0L, 351/5.8L, 352/5.8L, 360/5.9L, 390/6.4L, 400/6.6L, 460/7.5L	
Seal (front entry)	2692	
Seal (rear entry)	2942	
Kwik Slv (Opt Rpr)	KWK99187	
Harmonic Balancer		
Sleeves	88187	

TIMING COVER (cont.)

8 Cylinder (cont.)

1964-1963	292/4.8L	
Seal	350936	
Kwik Slv (Opt Rpr)	KWK99187	
Harmonic Balancer		
Sleeves	88187	

FORD TRUCK - 1 TON - F3, F53, F59, E300, E350, F350, M400, P400, 3500 Series, Econoline, Motor Home, Parcel Delivery, Pickup, F450 Super Duty, Van

FRONT WHEEL

2WD

1989-1980	E350 Econoline: production from 11/1980 on	
Seal (inner)	4160[2]	
Set (inner)	SET47	
Cone/Cup (outer)	15101-15245[2]	
1989-1980	F350	
Seal (inner)	4160[2]	
Set (inner)	SET47	
Cone/Cup (outer)	15101-15245[2]	
1989-1988	F450 Super Duty	
Seal (inner)	4160[2]	
Set (inner)	SET47	
Cone/Cup (outer)	15101-15245[2]	
1980-1975	E350 Econoline: production thru 11/1980	
Seal (inner)	493637[2]	
Set (inner)	SET47	
Cone/Cup (outer)	15101-15245[2]	
1979-1975	F350 from chassis #V80002 on	
Seal (inner)	493637[2]	
Set (inner)	SET47	
Cone/Cup (outer)	15101-15245[2]	
1976-1968	P400	
Seal (inner)	6954S[2]	
Set (inner)	SET45	
Cone/Cup (outer)	1380-1328[2]	
1976-1957	P350	
Seal (inner)	6954S[2]	
Set (inner)	SET45	
Cone/Cup (outer)	1380-1328[2]	
1975-1968	F350 thru chassis #V80001	
Seal (inner)	6954S[2]	
Set (inner)	SET45	
Cone/Cup (outer)	15101-15245[2]	
1974-1969	E300 Econoline	
Seal (inner)	6954S[2]	
Set (inner)	SET45	
Cone/Cup (outer)	15101-15245[2]	

FRONT WHEEL (cont.)

2WD (cont.)

1973-1972	M400	
Seal (inner)	2222[2]	
Cone/Cup (inner)	3778-3720[2]	
Cone/Cup (outer)	25877-25820[2]	
1967-1957		
Seal (inner)	6954S[2]	
Set (inner)	SET45	
Cone/Cup (outer)	1380-1328[2]	
1967-1957	F350	
Seal (inner)	6954S[2]	
Set (inner)	SET45	
Cone/Cup (outer)	1380-1328[2]	
1967-1957	P3500	
Seal (inner)	6954S[2]	
Set (inner)	SET45	
Set (outer)	SET45	
1956-1953	F350	
Seal (inner)	6547[2]	
Cone/Cup (inner)	2788-2726[2]	
Cone/Cup (outer)	1380-1328[2]	
1956-1953	P350	
Seal (inner)	6547[2]	
Cone/Cup (inner)	2788-2726[2]	
Cone/Cup (outer)	1380-1328[2]	
1952-1948		
Seal (inner)	5827[2]	
Cone/Cup (inner)	14130-14276[2]	
Cone/Cup (outer)	09067-09195[2]	
1947-1946		
Seal (inner)	5827[2]	
Cone/Cup (inner)	14130-14276[2]	
Cone/Cup (outer)	09074-09196[2]	

[] Indicates Quantity Required; Set Components Listed Inside Rear Cover;
²⁶ Opt. Kit incl. 3894V seal & sleeve

Bearings and Seals

Mfg./Year Model & Location Part No Mfg./Year Model & Location Part No

FORD TRUCK - 1 TON - F3, F53, F59, E300, E350, F350, M400, P400, 3500 Series, Econoline, Motor Home, Parcel Delivery, Pickup, F450 Super Duty, Van (cont.)

FRONT WHEEL

4WD

1989-1980

Seal (inner) 415960[2]
Cone/Cup (inner) 387A-382A[2]
Set (outer) SET38

1979

Seal (inner) 4250[2]
Cone/Cup (inner) 387A-382A[2]
Set (outer) SET38

REAR WHEEL

1989-1981 E350 Econoline

Seal (inner) 9864S[2]
Cone/Cup (inner) 387AS-382A[2]
Set (outer) SET38

1989-1968 F350: Spicer 60, 61, 70 series axles

Seal (inner) 9864S[2]
Cone/Cup (inner) 387AS-382A[2]
Set (outer) SET38

1989-1985 F350: 10.25" ring gear: production thru 3/1994

Seal (inner) 370047A[2]⁵⁷
Cone/Cup (inner) 3994-3920[2]
Set (outer) SET38

1989-1988 F53

Seal (inner) 370018A[2]⁵⁷
Cone/Cup (inner) 39585-39520[2]
Cone/Cup (outer) 368A-362A[2]

1989-1988 F59

Seal (inner) 370018A[2]⁵⁷
Cone/Cup (inner) 39585-39520[2]
Cone/Cup (outer) 368A-362A[2]

1989-1988 F450

Seal (inner) 370018A[2]⁵⁷
Cone/Cup (inner) 39585-39520[2]
Cone/Cup (outer) 368A-362A[2]

1980-1976 E350 Econoline: dual rear wheels: from chassis #A75001 on

Seal (inner) 3385[2]
Cone/Cup (inner) JLM710949C-JLM710910[2]
Set (outer) SET38

1980-1975 E350 Econoline: single rear wheels

Seal (inner) 9864S[2]
Cone/Cup (inner) 387AS-382A[2]
Set (outer) SET38

1976-1975 E350 Econoline: dual rear wheels: thru chassis #A75000

Seal (inner) 9864S[2]
Cone/Cup (inner) 387AS-382A[2]
Set (outer) SET38

1976-1970 P350: light duty axle

Seal (inner) 4250[2]
Set (inner) SET38
Set (outer) SET38

REAR WHEEL (cont.)

1976-1970 P400: light duty axle

Seal (inner) 4250[2]
Set (inner) SET38
Set (outer) SET38

1976-1968 P350: Spicer 60HD, 70B, 70HD Heavy Duty axles

Seal (inner) 9864S[2]
Cone/Cup (inner) 387AS-382A[2]
Set (outer) SET38

1976-1968 P400: Spicer 60HD, 70B, 70HD Heavy Duty axles

Seal (inner) 9864S[2]
Cone/Cup (inner) 387AS-382A[2]
Set (outer) SET38

1974-1973 E300 Econoline: dual rear wheels

Seal (inner) 9864S[2]
Cone/Cup (inner) 387AS-382A[2]
Set (outer) SET38

1974-1969 E300 Econoline: from chassis #30001: single rear wheel

Seal (inner) 4250[2]
Set (inner) SET38
Set (outer) SET38

1973-1972 M400: Rockwell C100 axle

Seal (inner) 416297[2]
Cone/Cup (inner) 3984-3920[2]
Seal (outer) 370046A[2]⁵⁷
Cone/Cup (outer) 462-453X[2]

1969 E300 Econoline: thru chassis #30000

Seal (inner) 472856[2]
Cone/Cup (inner) 18790-18720[2]
Cone/Cup (outer) 25592-25520[2]

1969-1967 P350: light duty axle

Seal (inner) 4250[2]
Set (inner) SET38
Cone/Cup (outer) 25592-25520[2]

1969-1967 P400: light duty axle

Seal (inner) 4250[2]
Set (inner) SET38
Cone/Cup (outer) 25592-25520[2]

1968 E300 Econoline

Seal (inner) 472856[2]
Cone/Cup (inner) 18790-18720[2]
Cone/Cup (outer) 25592-25520[2]

1967 thru chassis #A84000

Seal (inner) 415960[2]
Cone/Cup (inner) 387A-382A[2]
Set (outer) SET38

1967 from chassis #A84001: Spicer 70 full-floating axle

Seal (inner) 9864S[2]
Cone/Cup (inner) 387AS-382A[2]
Set (outer) SET38

1966-1953

Seal (inner) 415960[2]
Cone/Cup (inner) 387A-382A[2]
Cone/Cup (outer) 368A-362A[2]⁵⁷

FORD TRUCK - 1 TON - F3, F53, F59, E300, E350, F350, M400, P400, 3500 Series, Econoline, Motor Home, Parcel Delivery, Pickup, F450 Super Duty, Van (cont.)

REAR WHEEL (cont.)

1952-1951	
Seal (inner)	410987[2]
Cone/Cup (inner)	368A-362A[2]
Cone/Cup (outer)	359S-354A[2]
1950-1942	
Cone/Cup (inner)	368A-362A[2]
Cone/Cup (outer)	359S-354A[2]

4WD FRONT AXLE

Axle Shaft

1989-1985 Spicer 60 axle	
Seal	470682[2]
1989-1985 exc. Spicer 60	
Seal (inner)	710414[2]
Seal (outer)	710413[2]
1985-1983 Spicer 50.5 IFS	
Seal (LH)	710043
Seal (RH)	470672
Cyl. Bearing (RH)	5707
1982-1980 Spicer	
Seal (LH)	710043
Seal (RH)	2146
Set (RH)	SET9

Differential Rebuild Kit

1989-1979 Dana/Spicer 60 series axles	
Kit	DRK331
1989-1980 Dana/Spicer 50 series axles	
Kit	DRK336

Differential

1989-1979 Dana/Spicer 60 series axles: monobeam	
Cone/Cup	387A-382S[2]
1989-1980 Dana/Spicer 50, 60 series axles: exc. monobeam	
Cone/Cup	JLM104946-LM104911A[2]
1989-1980 Dana/Spicer 50 series axles: independent	
Cone/Cup	JLM104948-LM104911A[2]

Pinion

1989-1987 Spicer	
Cone/Cup (inner)	HM803146-HM803110
Seal Viton (outer)	719316
Cone/Cup (outer)	HM88542-HM88510
Kwik Slv (Opt Rpr)	KWK99187
1989-1980 Dana/Spicer 50 series axles: independent	
Cone/Cup (inner)	HM88649-HM88610
Seal (outer)	5778
Cone/Cup (outer)	02872-02820

4WD FRONT AXLE (cont.)

Pinion (cont.)

1986-1979 Dana/Spicer 60 series axle	
Cone/Cup (inner)	HM803146-HM803110
Seal (outer)	9316
Cone/Cup (outer)	HM88542-HM88510

Spindle Kit

1989-1979 Dana/Spicer 50, 60 series axles	
Bearing & Seal Kit	SBK3 ³⁵

Spindle

1989-1979 Dana/Spicer 50, 60 series axles	
Seal (inner)	710044[2]
Needle Bearing (inner)	B2414[2]
Seal (outer)	710045[2]

Steering Knuckle

1989-1985 Dana/Spicer 60-7 axle	
Seal	710304[2]
Cone/Cup	23100-23256[2]
1983-1979 Dana/Spicer 60-3 axle	
Seal	710304[2]
Cone/Cup	23100-23256[2]

REAR AXLE

Differential Rebuild Kit

1989-1980 Dana/Spicer 70-2U, 70-U axles	
Kit	DRK332U
1989-1980 Dana/Spicer 70-HD axle	
Kit	DRK332HD
1989-1954 Dana/Spicer 60 series axles	
Kit	DRK331
1989-1988 Dana/Spicer 80 axle	
Kit	DRK337
1989-1985 10.25" ring gear	
Kit	DRK314
1983-1980 Dana/Spicer 70-B axle	
Kit	DRK332
1979-1961 Dana/Spicer 70 series axles	
Kit	DRK332

Differential

1989-1988 Dana/Spicer 80 axle: F Super Duty chassis	
Cone/Cup	469-453X[2]
1989-1985 10.25", 10,5" ring gear	
Cone/Cup	469-453X[2]
1989-1954 Dana/Spicer 60, 60-U, 60-1U, 61-1, 61 axles	
Cone/Cup	387A-382S[2]
1989-1972 Dana/Spicer 70-HD, 70-1HD, 70-2U, 80 series axles: 10.25" ring gear	
Cone/Cup	469-453X[2]

[] Indicates Quantity Required; Set Components Listed Inside Rear Cover;
³⁵ Opt. Kit incl: Bearing B2414; Seals 710044 & 710045

Bearings and Seals

Mfg./Year Model & Location Part No Mfg./Year Model & Location Part No

FORD TRUCK - 1 TON - F3, F53, F59, E300, E350, F350, M400, P400, 3500 Series, Econoline, Motor Home, Parcel Delivery, Pickup, F450 Super Duty, Van (cont.)

REAR AXLE (cont.)

Differential (cont.)

1988-1954	Dana/Spicer 70-D, 70-B, 70-U, 70-2U axles	
	Cone/Cup	387A-382S[2]
1973-1972	Rockwell C100 axle	
	Cone/Cup	395-394AS[2]
1962-1959	Rockwell B140 axle	
	Cone/Cup (LH)	28682-28622
	Cone/Cup (RH)	387A-382
1958-1957	Rockwell B100 axle	
	Cone/Cup (LH)	28682-28622
	Cone/Cup (RH)	387A-382
1955-1954	Rockwell A150 axle	
	Cone/Cup (LH)	28580-28521
	Cone/Cup (RH)	18790-18720

Pinion

1989-1988	11.25" ring gear	
	Cone/Cup (inner)	HM807046-HM807010
	Seal Viton (outer)	4525V
	Cone/Cup (outer)	M802048-M802011
1989-1987	Dana/Spicer 70-2U axle	
	Cone/Cup (inner)	HM803149-HM803110
	Seal Viton (outer)	719316
	Cone/Cup (outer)	HM88542-HM88510
1989-1985	10.25", 10.5" ring gear	
	Cone/Cup (inner)	HM807044-HM807010
	Seal Viton (outer)	4278
	Cone/Cup (outer)	HM89443-HM89411
1989-1987	Dana/Spicer 70-1HD, 70-HD axles	
	Cone/Cup (inner)	HM807040-HM807010
	Seal Viton (outer)	719316
	Cone/Cup (outer)	HM88542-HM88510
1988-1987	Dana/Spicer 61-1 axle	
	Cone/Cup (inner)	HM803146-HM803110
	Seal (outer)	9316
	Cone/Cup (outer)	HM88542-HM88510
1986-1981	Dana/Spicer 70-U, 70-2U axles: production from 11/1981 on	
	Cone/Cup (inner)	HM803149-HM803110
	Seal (outer)	9316
	Cone/Cup (outer)	HM88542-HM88510
1986-1970	Dana/Spicer 60, 60-U, 61, 61-1 axles: from chassis #G90001 on	
	Cone/Cup (inner)	HM803146-HM803110
	Seal (outer)	9316
	Cone/Cup (outer)	HM88542-HM88510
1986-1970	Dana/Spicer 70-1HD, 70-B, 70-HD axles: from chassis #G90001 on	
	Cone/Cup (inner)	HM807040-HM807010
	Seal (outer)	9316
	Cone/Cup (outer)	HM88542-HM88510

REAR AXLE (cont.)

Pinion (cont.)

1973-1972	Rockwell C100 axle	
	Cone/Cup (inner)	M903345-M903310
	Seal (outer)	470308N
	Cone/Cup (outer)	44143-44348
	Cyl. Bearing (pilot)	MU1305TDM
1970-1961	Dana/Spicer 70 series axles: thru chassis #G90000	
	Cone/Cup (inner)	HM807040-HM807010
	Seal (outer)	6808N
	Cone/Cup (outer)	HM88542-HM88510
1970-1954	Dana/Spicer 60 series axles: thru chassis #G90000	
	Cone/Cup (inner)	HM803146-HM803110
	Seal (outer)	6808N
	Cone/Cup (outer)	HM88542-HM88510
1962-1959	Rockwell B140 axle	
	Cone/Cup (inner)	HM807044-HM807010
	Seal (outer)	410312N
	Cone/Cup (outer)	HM89443-HM89410
1958-1957	Rockwell B100 axle	
	Cone/Cup (inner)	27875-27820
	Seal (outer)	470308N
	Cone/Cup (outer)	44156-44348
	Cyl. Bearing (pilot)	MU1205TM
1955-1954	Rockwell A150 axle	
	Cone/Cup (inner)	HM804840-HM804810
	Seal (outer)	451078
	Cone/Cup (outer)	HM89443-HM89410

TRANSFER CASE REBUILD KIT

1989-1987	Warner 1356	
	Kit	TCRK1356
1986-1980	New Process 208	
	Kit	TCRK208SPK ⁴⁷
1979	New Process 203	
	Kit	TCRK203F
1979	New Process 205: manual trans	
	Kit	TCRK205F
1979	New Process 205: automatic trans	
	Kit	TCRK205F

TRANSFER CASE

Input Shaft

1989-1987	Warner 1356	
	Seal	714503
	Bearing	110CB
	Needle Bearing (pilot)	BK3026
1989-1980	Warner 1345	
	Seal	710062
	Kwik Slv (Opt Rpr)	KWK99175

FORD TRUCK - 1 TON - F3, F53, F59, E300, E350, F350, M400, P400, 3500 Series, Econoline, Motor Home, Parcel Delivery, Pickup, F450 Super Duty, Van (cont.)

TRANSFER CASE (cont.)

Input Shaft (cont.)

1986-1980	New Process 208	
Seal	3173[2]
Needle Bearing	B5020[2]
Seal Dual Lip	710928[2]
Kwik Slv (Opt Rpr)	KWK99193[2]
Needle Bearing (pilot)	B2012
Needle Bearing Thrust	AXK5070
1979	New Process 205: manual trans	
Seal	473468[2]
Bearing	1307L[2]
Kwik Slv (Opt Rpr)	KWK99212
		[2]
1979	New Process 205: automatic trans	
Seal	471869[2]
Bearing	1210L[2]
Kwik Slv (Opt Rpr)	KWK99193[2]
1979	New Process 203	
Seal	3173[2]
Bearing	1210L[2]
Kwik Slv (Opt Rpr)	KWK99193[2]

Front Output Shaft

1989-1987	Warner 1356	
Seal	714503
Bearing	207
Needle Bearing (pilot)	B2012
1989-1980	Warner 1345	
Seal	3946
Bearing	207
Kwik Slv (Opt Rpr)	KWK99187
Needle Bearing (pilot)	B2012
1986-1980	New Process 208	
Seal	3946
Needle Bearing	B2816
Kwik Slv (Opt Rpr)	KWK99187
Needle Bearing (pilot)	J2416
Needle Bearing Thrust	NTA2840[2]
1979	New Process 205	
Seal	473468
Bearing	307L[2]
Kwik Slv (Opt Rpr)	KWK99212
Needle Bearing (pilot)	M28161
1979	New Process 203 (2.125" shaft)	
Seal	473468
Bearing	307L[2]
Kwik Slv (Opt Rpr)	KWK99212
Needle Bearing (pilot)	M28161
1979	New Process 203 (2.062" shaft)	
Seal	450307
Bearing	307L[2]
Kwik Slv (Opt Rpr)	KWK99205
Needle Bearing (pilot)	M28161

TRANSFER CASE

Rear Output Shaft

1989-1987	Warner 1356 (slip yoke)	
Seal	4503N
Bearing	207
1989-1987	Warner 1356 (fixed yoke)	
Seal	4333N
Bearing	207
1989-1980	Warner 1345 (non-booted)	
Seal	3946
Bearing	207
Kwik Slv (Opt Rpr)	KWK99187
Needle Bearing (pilot)	B2812
1989	Warner 1345 (booted)	
Seal	4333N
Bearing	207
Needle Bearing (pilot)	B2812
1986-1980	New Process 208 (slip yoke)	
Seal	4333N
Bearing	1207L
Needle Bearing (pilot)	B3616
Needle Bearing Thrust	TC2435
1986-1980	New Process 208 (fixed yoke)	
Seal	3946
Bearing	1207L
Kwik Slv (Opt Rpr)	KWK99187
Needle Bearing (pilot)	B3616
Needle Bearing Thrust	TC2435
1979	New Process 205	
Seal	473457
Bearing	307L
Kwik Slv (Opt Rpr)	KWK99187
Needle Bearing (pilot)	B3216
1979	New Process 203	
Seal	473468
Bearing	307L
Kwik Slv (Opt Rpr)	KWK99212
Needle Bearing (pilot)	QAR29523[15]

Intermediate Shaft

1979	New Process 205	
Cone/Cup	2793-2720[2]

Oil Pump Housing

1986-1980	New Process 208	
Seal	341022
Kwik Slv (Opt Rpr)	KWK99225
1979	New Process 203	
Seal	341022
Kwik Slv (Opt Rpr)	KWK99225

Selector Shaft Seal/Man. Shaft

1989-1987	Warner 1356; 4407	
Seal	330385
1979	New Process 205	
Seal	2287[2]
Kwik Slv (Opt Rpr)	KWK99076[2]

Bearings and Seals

Mfg./Year Model & Location Part No Mfg./Year Model & Location Part No

FORD TRUCK - 1 TON - F3, F53, F59, E300, E350, F350, M400, P400, 3500 Series, Econoline, Motor Home, Parcel Delivery, Pickup, F450 Super Duty, Van (cont.)

TRANSMISSION REBUILD KIT

1989-1987 ZF S5-42, S5-47
 Kit TRK300ZF1

3-SPEED AUTOMATIC TRANSMISSION

Torque Converter

1989-1964 C4, C5, C6
 Seal 331107N
 Kwik Slv (Opt Rpr) KWK99199

1977-1965 Cruise-o-Matic
 Seal 331107N
 Kwik Slv (Opt Rpr) KWK99199

1964-1953 Ford-o-Matic
 Seal 6988H
 Kwik Slv (Opt Rpr) KWK99193

Rear Seal/Ext. Housing

1989-1980 C6
 Seal 410308

1986-1964 C4 (booted), C5
 Seal 7692S
 Seal Kit 5202⁶⁴

1979-1965 C6 (3.066" O.D.)
 Seal 410308

1979-1965 C6 (2.506" O.D.)
 Seal 7300S
 Seal Kit 5203⁶⁴

1976-1965 Cruise-o-Matic
 Seal 7300S
 Seal Kit 5203⁶⁴

1972-1964 C4 (non-booted)
 Seal 470687

1964-1953 Ford-o-Matic
 Seal 7692S
 Seal Kit 5202⁶⁴

Selector Shaft Seal/Man. Shaft

1989-1964 C6
 Seal 7929S

1986-1964 C4, C5
 Seal 240816
 Kwik Slv (Opt Rpr) KWK99076

1976-1953 exc. C4, C5, C6
 Seal 7929S

4-SPEED AUTOMATIC TRANSMISSION

Torque Converter

1989 AODE, E4OD
 Seal 3404

1989-1980 AOT (AOD)
 Seal 331107N
 Kwik Slv (Opt Rpr) KWK99199

4-SPEED AUTOMATIC TRANSMISSION

Rear Seal/Ext. Housing

1989 E4OD
 Seal 7300S
 Seal Kit 5203⁶⁴

1989-1980 AOT (AOD): long boot
 Seal 7692S
 Seal Kit 5202⁶⁴

Selector Shaft Seal/Man. Shaft

1989-1980
 Seal 7929S

CLUTCH

Pilot Bearing

1989-1988 8-cylinder 444 (7.3) diesel
 Needle Bearing FC65662

1989-1983 8-cylinder 460 (7.5)
 Needle Bearing FC66067

1989-1968 8-cylinder 302 (5.0)
 Needle Bearing FC65662

1989-1968 8-cylinder 351 (5.8)
 Needle Bearing FC65662

1989-1965 6-cylinder 300 (4.9)
 Needle Bearing FC65662

1987-1983 8-cylinder 420 (6.9) diesel
 Needle Bearing FC65662

1982-1965 8-cylinder 400 (6.6)
 Bushing H/D PB50DHD

1979-1965 8-cylinder 360 (5.9)
 Bushing H/D PB50DHD

1979-1965 8-cylinder 390 (6.4)
 Bushing H/D PB50DHD

1977-1965 6-cylinder 240 (3.9)
 Needle Bearing FC65662

1975-1965 8-cylinder 352 (5.8)
 Bushing H/D PB50DHD

1975-1965 8-cylinder 360 (5.9)
 Bushing H/D PB50DHD

1972-1967 4-cylinder 242 (4.0) diesel
 Bearing 203S

1972-1967 4-cylinder 254 (4.2) diesel
 Bearing 203S

1970-1968 6-cylinder 170 (2.8)
 Needle Bearing FC65174

1966-1964 4-cylinder 223 (3.6) diesel
 Bearing 203S

1964-1963 8-cylinder 292 (4.8)
 Bearing 203S

1964-1948 6-cylinder 215 (3.5)
 Bearing 203S

1964-1948 6-cylinder 223 (3.6)
 Bearing 203S

1964-1948 6-cylinder 226 (3.7)
 Bearing 203S

1964-1948 6-cylinder 262 (4.3)
 Bearing 203S

1956-1953 8-cylinder 272 (4.4)
 Bearing 203S

FORD TRUCK - 1 TON - F3, F53, F59, E300, E350, F350, M400, P400, 3500 Series, Econoline, Motor Home, Parcel Delivery, Pickup, F450 Super Duty, Van (cont.)

CLUTCH (cont.)

Pilot Bearing (cont.)

1956-1946 8-cylinder 239 (3.9)
Bearing 203S

Release Bearing

1989-1988 8-cylinder 444 (7.3) diesel
Bearing Assy 614062
1989-1987 8-cylinder 420 (6.9) diesel:
5-speed
Bearing Assy 614062
1989-1987 8-cylinder 460 (7.5): 5-speed
Bearing Assy 614062
1989-1988 8-cylinder 302 (5.0): 4-speed:
mechanical mechanism
Bearing Assy 614014
1989-1988 8-cylinder 351 (5.8): 4-speed:
mechanical mechanism
Bearing Assy 614014
1989-1983 6-cylinder 300 (4.9): 4-speed:
mechanical mechanism
Bearing Assy 614014
1989-1983 8-cylinder 460 (7.5): 4-speed
Bearing Assy 614014
1989-1988 6-cylinder 300 (4.9): 5-speed:
hydraulic piston type
Bearing Assy 614061
1989-1988 8-cylinder 302 (5.0): 5-speed:
hydraulic piston type
Bearing Assy 614061
1989-1988 8-cylinder 351 (5.8): 5-speed:
hydraulic piston type
Bearing Assy 614061
1987-1983 8-cylinder 302 (5.0)
Bearing Assy 614014
1987-1983 8-cylinder 351 (5.8)
Bearing Assy 614014
1986-1983 8-cylinder 420 (6.9) diesel:
4-speed
Bearing Assy 614014
1982-1978 6-cylinder 300 (4.9)
Bearing Assy 614038
1982-1978 8-cylinder 302 (5.0)
Bearing Assy 614038
1982-1978 8-cylinder 351 (5.8)
Bearing Assy 614038
1982-1965 8-cylinder 400 (6.6)
Bearing Assy 614034
1979-1965 8-cylinder 360 (5.9)
Bearing Assy 614034
1979-1965 8-cylinder 390 (6.4)
Bearing Assy 614034
1977-1968 8-cylinder 302 (5.0): 10" disc and
smaller
Bearing Assy 614038
1977-1968 8-cylinder 302 (5.0): 10.4" disc
and larger: H/D
Bearing Assy 614034

CLUTCH (cont.)

Release Bearing (cont.)

1977-1968 8-cylinder 351 (5.8): 10" disc and
smaller
Bearing Assy 614038
1977-1968 8-cylinder 351 (5.8): 10.4" disc
and larger: H/D
Bearing Assy 614034
1977-1965 6-cylinder 240 (3.9): 10" disc and
smaller
Bearing Assy 614038
1977-1965 6-cylinder 240 (3.9): 10.4" disc
and larger: H/D
Bearing Assy 614034
1977-1965 6-cylinder 300 (4.9): 10" disc and
smaller
Bearing Assy 614038
1977-1965 6-cylinder 300 (4.9): 10.4" disc
and larger: H/D
Bearing Assy 614034
1975-1965 8-cylinder 352 (5.8)
Bearing Assy 614034
1972-1967 4-cylinder 242 (4.0) diesel
Bearing Only FA2255C
1972-1967 4-cylinder 254 (4.2) diesel
Bearing Only FA2255C
1970-1968 6-cylinder 170 (2.8): 8.5" disc
Bearing Assy 614038
1970-1968 6-cylinder 170 (2.8): 10" disc
Bearing Only F1505C
1966-1964 4-cylinder 223 (3.6) diesel
Bearing Only FB2065C
1964 6-cylinder 262 (4.3)
Bearing Only 2065C
1964-1963 8-cylinder 292 (4.8)
Bearing Only F2065C
1964-1957 6-cylinder 215 (3.5)
Bearing Only F2065C
1964-1957 6-cylinder 223 (3.6)
Bearing Only F2065C
1964-1957 6-cylinder 226 (3.7)
Bearing Only F2065C
1956-1953 all
Bearing Only F2065C
1952-1946 all
Bearing Only 2065

3-SPEED MANUAL TRANSMISSION

Front Input Shaft

1984-1963 Tremac
Seal 3638
Bearing 208LO
Kwik Slv (Opt Rpr) KWK99112
1971-1965 Warner T85
Seal 7412S
Bearing 307L
Kwik Slv (Opt Rpr) KWK99125
1971-1959 Warner T89
Bearing 307L

Bearings and Seals

Mfg./Year Model & Location Part No Mfg./Year Model & Location Part No

FORD TRUCK - 1 TON - F3, F53, F59, E300, E350, F350, M400, P400, 3500 Series, Econoline, Motor Home, Parcel Delivery, Pickup, F450 Super Duty, Van (cont.)

3-SPEED MANUAL TRANSMISSION (cont.)

Front Input Shaft (cont.)

1967-1959	Warner T87	
Bearing	1209L
1966-1965	Ford 2.77 (HED, RED)	
Seal	480210
Kwik Slv (Opt Rpr)	KWK99106
1964-1953	Warner T86	
Seal	450326
Bearing	207L
Kwik Slv (Opt Rpr)	KWK99149
1962-1953	Ford L/D	
Seal	482208
Bearing	207L
Kwik Slv (Opt Rpr)	KWK99112

Rear Output Shaft

1984-1963	Tremac	
Seal	7692S
Bearing	207L
Seal Kit	5202 ⁶⁴
1977-1959	Warner T87, T89	
Seal	473468
Bearing	307L
1971-1965	Warner T85	
Seal	470059
Bearing	307L
Seal Kit	5201 ⁶⁴
1966-1965	Ford 2.77 (HED, RED): 1.5" shaft	
Seal	470059
Bearing	206L
Seal Kit	5201 ⁶⁴
1966-1965	Ford 2.77 (HED, RED): 1.375" shaft	
Seal	7495S
Bearing	206L
Seal Kit	5204 ⁶⁴
1964-1953	Warner T86	
Seal	470059
Bearing	207L
Seal Kit	5201 ⁶⁴
1962-1953	Ford L/D (1.378" shaft)	
Seal	470059
Bearing	207L
1962-1953	Ford L/D (1.181" shaft)	
Seal	470059
Bearing	306L
Seal Kit	5201 ⁶⁴

Selector Shaft Seal/Man. Shaft

1971-1953	Warner T85, T86, T89	
Seal	340797
Kwik Slv (Opt Rpr)	KWK99059
1967-1948	Warner T87	
Seal	7399S
Kwik Slv (Opt Rpr)	KWK99062

4-SPEED MANUAL TRANSMISSION Transmission Rebuild Kit

1987-1966	New Process 435	
Kit	TRK127
1982-1966	Warner T18	
Kit	TRK82F

Input Shaft

1989-1983	Warner T18	
Seal	7412S
Bearing	308LTB
Kwik Slv (Opt Rpr)	KWK99125
1989-1980	Tremac	
Seal	3638
Bearing	308LTB
Kwik Slv (Opt Rpr)	KWK99112
1987-1965	New Process 435	
Seal	482163N
Cone/Cup	HM88649-HM88610
Kwik Slv (Opt Rpr)	KWK99138
1982-1980	Warner T18	
Seal	7412S
Bearing	308LI
Kwik Slv (Opt Rpr)	KWK99125
1979-1978	Tremac	
Seal	482208
Bearing	308LTB
Kwik Slv (Opt Rpr)	KWK99112
1979-1965	Warner T18	
Seal	7412S
Bearing	308LTB
Kwik Slv (Opt Rpr)	KWK99125
1964-1963	Dagenham Design	
Seal	482208
Bearing	307L
Kwik Slv (Opt Rpr)	KWK99112
1964-1948	Warner T98	
Bearing	308LI
1952-1946	Warner T9	
Bearing	209BB
1952-1946	Warner T8	
Bearing	1209L

Rear Output Shaft

1989-1984	Warner T18: 28-spline	
Seal	7692S
Bearing	308LI
Seal Kit	5202 ⁶⁴
1989-1985	Tremac 2nd design	
Seal	7692S
Bearing	308L
Seal Kit	5202 ⁶⁴
1987-1984	Warner T18 (31 spline)	
Seal	473442
Bearing	308LI
1987-1980	New Process 435	
Seal	471271
Bearing	1308L

290 [] Indicates Quantity Required; Set Components Listed Inside Rear Cover;

⁶⁴ Opt. Seal and Bushing Kit

FORD TRUCK - 1 TON - F3, F53, F59, E300, E350, F350, M400, P400, 3500 Series, Econoline, Motor Home, Parcel Delivery, Pickup, F450 Super Duty, Van (cont.)

4-SPEED MANUAL TRANSMISSION (cont.)

Rear Output Shaft (cont.)

1985-1978	Tremac 1st design	
Seal	7692S
Bearing	308LTB
Seal Kit	5202 ⁶⁴
1983-1980	Warner T18 (31 spline)	
Seal	473442
Bearing	1308L
1983-1980	Warner T18: 28-spline	
Seal	7692S
Bearing	1308L
Seal Kit	5202 ⁶⁴
1979	New Process 435 (3.066" O.D.)	
Seal	473468
Bearing	1308L
1979	New Process 435 (2.378" O.D.)	
Seal	7692S
Bearing	1308L
Seal Kit	5202 ⁶⁴
1979-1973	Warner T18 (35 spline)(3.256" O.D.)	
Seal	450519
Bearing	308L
1979-1965	Warner T18: 28-spline	
Seal	470059
Bearing	308L
1978-1977	New Process 435 (3.066" O.D.)	
Seal	473468
Bearing	1308L
1978-1965	New Process 435 (2.378" O.D.)	
Seal	470059
Bearing	1308L
Seal Kit	5201 ⁶⁴
1978-1965	New Process 435 (3.256" O.D.)	
Seal	450519
Bearing	1308L
1972-1965	Warner T18: 10-splines: 3.066" OD	
Seal	450308
Bearing	308L
1964-1963	Dagenham Design	
Seal	7495S
Bearing	206L
Seal Kit	5204 ⁶⁴
1964-1948	Warner T98	
Seal	450308
Bearing	307L
1952-1946	Warner T8, T9	
Seal	450308
Bearing	307L

4-SPEED MANUAL TRANSMISSION Selector Shaft Seal/Man. Shaft

1989-1978	Tremac	
Seal	313156
1964-1963	Dagenham Design	
Seal	7399S
Kwik Slv (Opt Rpr)	KWK99062

5-SPEED MANUAL TRANSMISSION Front Input Shaft

1989-1987	ZF S5-42, S5-47	
Seal Viton	713771
Cone/Cup	28580-28521
Kwik Slv (Opt Rpr)	KWK99139
1989-1988	Mazda	
Seal	223012
Kwik Slv (Opt Rpr)	KWK99114

Front Input Shaft Pocket

1989-1987	ZF S5-42	
Cone	JH13349

Countershaft

1989-1987	ZF S5-42	
Cone/Cup	2580-2520[2]

Rear Output Shaft

1989-1987	ZF S5-42, S5-47 (4WD)	
Seal	1217
Cone/Cup	J28573-28521
1989-1987	ZF S5-42, S5-47 (2WD)	
Seal	225010
Cone/Cup	J28573-28521
1989-1988	Mazda	
Seal	710415

DRIVESHAFT SUPPORT

1989-1955	Spicer 1260, 1280, 1310, 1410, 1480: 1.3780" bearing ID	
Bearing	88107
Hanger Bearing Assy	HB88107A
1983-1973	Cleveland 055: 1.5748" bearing ID, 2.25" height	
Hanger Bearing Assy	HB88508A
1983-1973	Spicer 1410: 1.5748" bearing ID, 2.25" height	
Hanger Bearing Assy	HB88508A
1983-1955	Spicer 1410, 1650: 1.7717" bearing ID	
Bearing	88509
Hanger Bearing Assy	HB88509
1979-1955	Spicer: 1.9685" bearing ID	
Hanger Bearing Assy	HB88510A
1979-1955	Spicer: 2.3622" bearing ID	
Hanger Bearing Assy	HB88512AHD

[] Indicates Quantity Required; Set Components Listed Inside Rear Cover;
⁶⁴ Opt. Seal and Bushing Kit

Bearings and Seals

Mfg./Year Model & Location Part No Mfg./Year Model & Location Part No

FORD TRUCK - 1 TON - F3, F53, F59, E300, E350, F350, M400, P400, 3500 Series, Econoline, Motor Home, Parcel Delivery, Pickup, F450 Super Duty, Van (cont.)

DRIVESHAFT SUPPORT (cont.)

1979-1955	Spicer 1410, 1480: 1.5748" bearing ID, 2.5" height	
	Bearing	88508
	Hanger Bearing Assy	HB88508
1975-1965	Cleveland 055: 1.5000" bearing ID	
	Hanger Bearing Assy	HB2
1971-1965	Cleveland R55: 1.3750" bearing ID	
	Hanger Bearing Assy	HB1
1971-1965	Cleveland S55: 1.3750" bearing ID	
	Hanger Bearing Assy	HB1
1954-1948	1.378" bearing ID	
	Bearing	207

POWER STEERING

Pitman Shaft

1982-1974	E300; E350	
	Seal Kit	PSK1 ²⁴

Pump Shaft

1989-1980	E350; Saginaw pump	
	Seal	7013S
1989-1980	F series	
	Seal	8773S
1979-1975	E350; Saginaw pump	
	Seal	7013S
1979-1969	E300; F350; P400; Ford pump	
	Seal	8773S

MANUAL STEERING

Pitman Shaft

1982-1980	Saginaw design	
	Seal	313842
1982-1980	Ford design	
	Seal	340151
	Needle Bearing	B1816
1979-1967		
	Seal	340151

Worm Shaft

1989-1983	E350	
	Seal	221922
1982-1967	Saginaw design	
	Seal	480821
	Bearing	8537[2]

CRANKSHAFT REAR SEAL

6 Cylinder

1989-1965	300/4.9L	
	Seal Viton	2377
	Seal PTFE H/D Opt.	5278
	Kwik Slv (Opt Rpr)	KWK99372

CRANKSHAFT REAR SEAL

8 Cylinder

1989-1984	351/5.8L	
	Seal Viton	2377
	Seal PTFE H/D Opt.	5278
	Kwik Slv (Opt Rpr)	KWK99372
1989-1980	460/7.5L	
	Seal Rope	5095
	Seal Split Opt.	5118
1989-1983	420/6.9L, 444/7.3L Diesels	
	Seal Viton	3893V
	Kwik Slv (Opt Rpr)	KWK99372
1983	351/5.8L (W) From 7/10/83	
	Seal Viton	2377
	Seal PTFE H/D Opt.	5278
	Kwik Slv (Opt Rpr)	KWK99372
1983	351/5.8L (W) To 7/10/83	
	Seal Rope	5095
	Seal Split Opt.	5117
1982-1968	351/5.8L, 360/5.9L, 400/6.6L	
	Seal Rope	5095
	Seal Split Opt.	5117
1979-1973	460/7.5L	
	Seal Rope	5095
	Seal Split Opt.	5118
1979-1968	302/5.0L	
	Seal Rope	5095
	Seal Split Opt.	5108
1976-1965	352/5.8, 390/6.4	
	Seal Rope	5095
	Seal Split Opt.	5112S

TIMING COVER

6 Cylinder

1989-1965	240/3.9, 300/4.9L	
	Seal (front entry)	2692
	Seal (rear entry)	2942
	Kwik Slv (Opt Rpr)	KWK99187
	Harmonic Balancer	
	Sleeves	88187
1964-1952	215/3.5L, 223/3.6L	
	Seal	350936
	Kwik Slv (Opt Rpr)	KWK99187
	Harmonic Balancer	
	Sleeves	88187

8 Cylinder

1989-1983	420/6.9L, 444/7.3L Diesels	
	Seal Viton	3894V
	Seal Opt.	5066 ²⁶
1989-1980	351/5.8L, 400/6.6L, 460/7.5L	
	Seal (front entry)	2692
	Seal (rear entry)	2942
	Kwik Slv (Opt Rpr)	KWK99187

292 [] Indicates Quantity Required; Set Components Listed Inside Rear Cover;

²⁴ Opt. Kit incl. seals 5683 & 5684. Not sold separately

²⁶ Opt. Kit incl. 3894V seal & sleeve

FORD TRUCK - 1 TON - F3, F53, F59, E300, E350, F350, M400, P400, 3500 Series, Econoline, Motor Home, Parcel Delivery, Pickup, F450 Super Duty, Van (cont.)

TIMING COVER (cont.)

8 Cylinder (cont.)

1989-1965	302/5.0L, 351/5.8L, 352/5.8L, 360/5.9L, 390/6.4L, 400/6.6L, 460/7.5L	
Seal (front entry)	2692
Seal (rear entry)	2942
Kwik Slv (Opt Rpr)	KWK99187
Harmonic Balancer		
Sleeves	88187

TIMING COVER (cont.)

8 Cylinder (cont.)

1964-1956	272/4.4, 292/4.8	
Seal	350936
Kwik Slv (Opt Rpr)	KWK99187
Harmonic Balancer		
Sleeves	88187

FORD TRUCK - 1-1/2, 2, 2-1/2 TON - 400, 450, 500, 600, 700, 4000, 4500 Series, Pickup, Parcel Delivery, Motor Home Chassis

FRONT WHEEL

2WD

1989-1984	600, 700 Series: 6000, 7000 lb. axles and disc brakes	
Seal (inner)	2674[2]
Cone/Cup (inner)	45284-45220[2]
Cone/Cup (outer)	25880-25820[2]
1989-1980	600, 700 Series: 7500, 9000, 12000 lb. axles	
Seal (inner)	370132A[2] ⁵⁷
Cone/Cup (inner)	39581-39520[2]
Cone/Cup (outer)	3585-3525[2]
1983-1978	500 Series: 5500 lb. axle	
Cone/Cup (inner)	25590-25520[2]
Cone/Cup (outer)	25877-25820[2]
1983-1978	600, 700 Series: 5500 lb. axle	
Cone/Cup (inner)	25590-25520[2]
Cone/Cup (outer)	25877-25820[2]
1979-1971	P500 Series: from chassis #J70002 on	
Seal (inner)	44052[2]
Cone/Cup (inner)	25590-25520[2]
Cone/Cup (outer)	14125A-14272[2]
1977-1969	500 Series: exc. P500: from chassis #F90002 on	
Seal (inner)	2222[2]
Cone/Cup (inner)	3778-3720[2]
Cone/Cup (outer)	25877-25820[2]
1977-1969	600, 700 Series	
Cone/Cup (inner)	3778-3720[2]
Cone/Cup (outer)	25877-25820[2]
1976-1973	450 Series	
Seal (inner)	2222[2]
Cone/Cup (inner)	3778-3720[2]
Cone/Cup (outer)	25877-25820[2]
1976-1957	4000 Series	
Seal (inner)	6954S[2]
Set (inner)	SET45
Cone/Cup (outer)	1380-1328[2]

FRONT WHEEL (cont.)

2WD (cont.)

1973-1957	400 Series	
Seal (inner)	6954S[2]
Set (inner)	SET45
Cone/Cup (outer)	1380-1328[2]
1971-1969	P500 Series: thru chassis #J70001	
Seal (inner)	44052[2]
Cone/Cup (inner)	25590-25520[2]
Set (outer)	SET6
1971-1968	C550: 6000 lb. axle	
Seal (inner)	6780S[2]
Cone/Cup (inner)	45284-45220[2]
Cone/Cup (outer)	25877-25820[2]
1969-1963	500 Series: thru chassis #F90001	
Seal (inner)	44052[2]
Cone/Cup (inner)	25590-25520[2]
Set (outer)	SET6
1967-1961	C550: 6000 lb. axle	
Seal (inner)	7780N[2]
Cone/Cup (inner)	3778-3720[2]
Cone/Cup (outer)	25877-25820[2]
1962-1957	F500	
Seal (inner)	44052[2]
Cone/Cup (inner)	25590-25520[2]
Cone/Cup (outer)	15106-15250X[2]
1962-1957	P500	
Seal (inner)	44052[2]
Cone/Cup (inner)	25590-25520[2]
Cone/Cup (outer)	15106-15250X[2]
1956-1953	500 Series	
Seal (inner)	5924[2]
Cone/Cup (inner)	25578-25522[2]
Cone/Cup (outer)	15106-15250X[2]
1956-1948	all	
Seal (inner)	5924[2]
Cone/Cup (inner)	25578-25522[2]
Cone/Cup (outer)	15106-15250X[2]

[] Indicates Quantity Required; Set Components Listed Inside Rear Cover;
⁵⁷ Oil Bath Seal

Bearings and Seals

Mfg./Year Model & Location Part No Mfg./Year Model & Location Part No

FORD TRUCK - 1-1/2, 2, 2-1/2 TON - 400, 450, 500, 600, 700, 4000, 4500 Series, Pickup, Parcel Delivery, Motor Home Chassis (cont.)

FRONT WHEEL

4WD

1979-1978	all	
Seal (inner)	44052[2]
Cone/Cup (inner)	25590-25520[2]
Cone/Cup (outer)	25877-25820[2]
1977-1971	from chassis #F90001	
Seal (inner)	2222[2]
Cone/Cup (inner)	3778-3720[2]
Cone/Cup (outer)	25877-25820[2]

REAR WHEEL

1989-1984	15000 lb. axle: 15"x5" drum brakes and Dayton wheels	
Seal (inner)	370047A[2] ⁵⁷
Seal (inner)	455858[2]
Cone/Cup (inner)	33287-33462[2]
Seal (outer)	5487[2]
Cone/Cup (outer)	3982-3920[2]
1989-1988	F-Super Duty: Dana 80 axle	
Seal (inner)	370018A[2] ⁵⁷
Cone/Cup (inner)	39585-39520[2]
Cone/Cup (outer)	368A-362A[2]
1989-1978	13000 lb. axle: 13"x5" drum brakes and Budd wheel	
Seal (inner)	370047A[2] ⁵⁷
Cone/Cup (inner)	3984-3920[2]
Seal (inner)	455858[2]
Cone/Cup (outer)	462-453X[2]
1989-1969	15000 lb. axle: 15"x6" drum brakes and Dayton wheels	
Seal (inner)	370047A[2] ⁵⁷
Seal (inner)	455858[2]
Cone/Cup (inner)	33287-33462[2]
Seal (outer)	5487[2]
Cone/Cup (outer)	3982-3920[2]
1989-1987	CF600 Series: 17500 lb. axle	
Seal (inner)	370023A[2] ⁵⁷
Cone/Cup (inner)	47686-47620[2]
Cone/Cup (outer)	39590-39520[2]
1989-1987	CF600 Series: 20000 lb., 23000 lb. axles	
Seal (inner)	370003A[2] ⁵⁷
Cone/Cup (inner)	594A-592A[2]
Cone/Cup (outer)	580-572[2]
1977-1969	C550, N500, P500: 11000 lb., 13000 lb. axles: from chassis #F70001	
Seal (inner)	370047A[2] ⁵⁷
Cone/Cup (inner)	3984-3920[2]
Seal (inner)	455858[2]
1977-1969	B500, C500, LN500, M500, P550: 11000 lb., 13000 lb. axles: from chassis #F70001 on	
Seal (inner)	370047A[2] ⁵⁷
Cone/Cup (inner)	3984-3920[2]
Seal (inner)	455858[2]
Cone/Cup (outer)	462-453X[2]

REAR WHEEL (cont.)

1977-1968	15000 lb. axle: from chassis #C42001 on	
Seal (inner)	370046A[2] ⁵⁷
Cone/Cup (inner)	33287-33462[2]
Seal (inner)	455858[2]
Seal (outer)	5487[2]
Cone/Cup (inner)	3982-3920[2]
1977-1957	F500: 11000 lb., 13000 lb. axles: exc. for some F500, N500 in 1969	
Seal (inner)	370047A[2] ⁵⁷
Cone/Cup (inner)	3984-3920[2]
1976	450 Series: 7200 lb., 7400 lb. axles: from chassis #A84002 on	
Seal (inner)	9864S[2]
Cone/Cup (inner)	387AS-382A[2]
Set (outer)	SET38
1976-1974	M450	
Seal (inner)	370046A[2] ⁵⁷
Cone/Cup (inner)	3984-3920[2]
Cone/Cup (outer)	462-453X[2]
1976-1970	LN750: 15000 lb. axle: 15"x5" drum brakes and Dayton wheels	
Seal (inner)	370047A[2] ⁵⁷
Cone/Cup (inner)	33287-33462[2]
Seal (outer)	5487[2]
Cone/Cup (outer)	3982-3920[2]
1976-1967	P400: from chassis #84002	
Seal (inner)	9864S[2]
Cone/Cup (inner)	387AS-382A[2]
Set (outer)	SET38
1970-1968	P400: 6-lug wheels	
Seal (inner)	4250[2]
Cone/Cup (inner)	387AS-382A[2]
Set (outer)	SET38
1969	F500, N500: 11000 lb., 13000 lb. axles: some: thru chassis #F70000	
Seal (inner)	416297[2]
Cone/Cup (inner)	3984-3920[2]
Cone/Cup (outer)	462-453X[2]
1968-1957	C550, N500, P500: 11000 lb., 13000 lb. axles: thru chassis #F70000	
Seal (inner)	416297[2]
Cone/Cup (inner)	3984-3920[2]
Cone/Cup (outer)	462-453X[2]
1968-1955	B500, C550, F500, P500, N500: 15000 lb. axle: thru chassis #C42000	
Seal (inner)	455858[2]
Cone/Cup (inner)	33281-33462[2]
Cone/Cup (outer)	3982-3920[2]
1967	P400: thru chassis #84001	
Seal (inner)	475960[2]
Cone/Cup (inner)	387AS-382A[2]
Set (outer)	SET38

FORD TRUCK - 1-1/2, 2, 2-1/2 TON - 400, 450, 500, 600, 700, 4000, 4500 Series, Pickup, Parcel Delivery, Motor Home Chassis (cont.)

REAR WHEEL (cont.)

1966-1957	P400	
Seal (inner)	475960[2]
Cone/Cup (inner)	387AS-382A[2]
Cone/Cup (outer)	368A-362A[2]
1956-1954	P500	
Seal (inner)	416297[2]
Cone/Cup (inner)	3984-3920[2]
Cone/Cup (outer)	462-453X[2]
1954-1953	all	
Seal (inner)	455858[2]
Cone/Cup (inner)	33281-33462[2]
Cone/Cup (outer)	3982-3920[2]
1952-1948	all	
Seal (inner)	5751S[2]
Cone/Cup (inner)	3984-3920[2]
Cone/Cup (outer)	462-453X[2]

FRONT AXLE

Differential

1979-1971	Rockwell FDS75 axle	
Cone/Cup	3994-3920[2]

Pinion

1979-1971	Rockwell FDS75 axle	
Cone/Cup	53176-53387[2]
Cyl. Bearing (pilot)	MU1305TDM

REAR AXLE

Differential Rebuild Kit

1989-1987	Rockwell 13120, 15120 axles	
Kit	DRK218
1989-1987	Rockwell 19220 axle	
Kit	DRK216
1989-1987	Rockwell 17140 axle	
Kit	DRK215
1989-1987	Rockwell 17220 axle	
Kit	DRK216
1988-1980	Eaton 23121 axle	
Kit	DRK18E
1988-1976	Eaton 23221 axle	
Kit	DRK72A
1988-1973	Rockwell R170 axle	
Kit	DRK50A
1988-1964	Eaton 17100, 17101, 17120, 17121, 18121 axles	
Kit	DRK1A
1988-1961	Eaton 17201, 17221, 18221 axles	
Kit	DRK1
1986-1980	Dana/Spicer M185T, M190T, M220T axles	
Kit	DRK214
1986-1980	Dana/Spicer G175T axle	
Kit	DRK213
1986-1964	Eaton 16244 axle	
Kit	DRK23D
1986-1954	Eaton 15201 axle	
Kit	DRK24

REAR AXLE (cont.)

Differential Rebuild Kit (cont.)

1979-1961	Eaton 17200, 17220, 17800, 17801, 7800 axles	
Kit	DRK1
1979-1954	Eaton 1350, 13800, 13802 axles	
Kit	DRK24
1969-1964	Eaton 16220 axle: 15" ring gear	
Kit	DRK23
1969-1964	Eaton 16220 axle: 15.5" ring gear	
Kit	DRK23D
1969-1961	Eaton 16221, 16802, 16803 axle	
Kit	DRK23

Differential

1989-1987	Rockwell 13120, 15120 axles	
Cone/Cup (LH)	3994-JM511910
Cone/Cup (RH)	34306-34478
1989-1987	Rockwell 15210 axle	
Cone/Cup (LH)	JP10049-JP10010
Cone/Cup (RH)	JLM714149-JLM714110
1989-1987	Rockwell 17140, 21145 axles: with 3200-M-1547 carrier	
Cone/Cup (LH)	JM716649-JM716610
Cone/Cup (RH)	JP10049-JP10010
1989-1987	Rockwell 17140, 21145 axles: with 3200-L-1676 carrier	
Cone/Cup	JM716649-JM716610[2]
1989-1987	Rockwell 21145 axle: 3200-R-1500 carrier	
Bearing Assy	32020X[2]
1989-1987	Rockwell 21230 axle	
Cone/Cup (LH)	52400-52618
Cone/Cup (RH)	JM716649-JM716610
1989-1987	Rockwell 23160 axle	
Bearing Assy	32021X[2]
1989-1987	Rockwell 23240 axle	
Cone/Cup (LH)	JP12049-JP12010
Cone/Cup (RH)	JM716649-JM716610
1989-1987	Rockwell 23180 axle	
Cone/Cup (LH)	JHM720249-JHM720210
Cone/Cup (RH)	64450-64700
1989-1987	Rockwell 17220, 19220 axles	
Cone/Cup (LH)	42381-42584
Cone/Cup (RH)	JLM714149-JLM714110
1988-1980	Eaton 23121 axle	
Cone/Cup (LH)	663-665
Cone/Cup (RH)	42381-42584
1988-1976	Eaton 23221 axle with 27950 case	
Cone/Cup (LH)	68450-68712
Cone/Cup (RH)	42346-42584
1988-1976	Eaton 23221 axle with 103537 case	
Cone/Cup (LH)	68462-68712
Cone/Cup (RH)	42346-42584
1988-1973	Rockwell R170 axle	
Cone/Cup (LH)	52387-52618
Cone/Cup (RH)	598-592A

Bearings and Seals

Mfg./Year Model & Location Part No Mfg./Year Model & Location Part No

FORD TRUCK - 1-1/2, 2, 2-1/2 TON - 400, 450, 500, 600, 700, 4000, 4500 Series, Pickup, Parcel Delivery, Motor Home Chassis (cont.)

REAR AXLE (cont.)

Differential (cont.)

1988-1964	Eaton 17100, 17101, 17120, 17121, 18121, 22121 axles	
	Cone/Cup (LH)	567-563
	Cone/Cup (RH)	497-493
1988-1961	Eaton 17200, 17201, 17220, 17221, 17800, 17801, 18221, 22221, 7800 axles	
	Cone/Cup (LH)	56425-56650
	Cone/Cup (RH)	497-493
1988-1954	Eaton 13800, 13802, 15201 axles	
	Cone/Cup (LH)	498-493
	Cone/Cup (RH)	33275-33472
1986-1980	Rockwell M185T, M190T axles	
	Cone/Cup (LH)	JM822049-JM822010
	Cone/Cup (RH)	JM716649-JM716610
1986-1980	Rockwell M220S, M220T axles	
	Cone/Cup (LH)	JM822049-JM822010
	Cone/Cup (RH)	JM716649-JM716610
1986-1980	Dana/Spicer G175T axle	
	Cone/Cup (LH)	42381-42584
	Cone/Cup (RH)	495-493
1986-1961	Eaton 16220, 16221, 16244, 16802, 16803 axles	
	Cone/Cup (LH)	42381-42584
	Cone/Cup (RH)	495A-493
1979-1977	Rockwell H172, H173 axles	
	Cone/Cup	JLM714149-JLM714110[2]
1979-1974	Rockwell D100, D140, F106 axles: production from 6/1974 on	
	Cone/Cup	3994-JM511910[2]
1979-1954	Eaton 1350 axle	
	Cone/Cup (LH)	498-493
	Cone/Cup (RH)	33275-33472
1977-1964	Rockwell H170 axle	
	Cone/Cup (LH)	47490-47420
	Cone/Cup (RH)	33275-33472
1974-1954	Rockwell C100 axle	
	Cone/Cup	395-394AS[2]
1974-1954	Rockwell D100, D140, F106 axles: production thru 5/1974	
	Cone/Cup (LH)	3994-3920
	Cone/Cup (RH)	395-394A
1969-1968	Rockwell L346 axle	
	Cone/Cup	42688-42620[2]
1969-1964	Rockwell H140 axle	
	Cone/Cup	33281-33472[2]
1969-1961	Eaton 1614 axle	
	Cone/Cup	3994-3920[2]
1969-1961	Eaton 1790, 1791 axles	
	Cone/Cup (LH)	33281-33472
	Cone/Cup (RH)	567-563
1969-1959	Rockwell F104 axle	
	Cone/Cup	3994-3920[2]

REAR AXLE

Pinion

1989-1988	Rockwell 15210 axle: production from 12/1987 on	
	Cone/Cup (inner)	55200C-55437
	Seal (outer)	415082N
	Cone/Cup (outer)	M804049-M804010
	Cyl. Bearing (pilot)	RU1570UM
1989-1987	Rockwell 13120, 15120 axles	
	Cone/Cup (inner)	55200C-55437
	Seal (outer)	415082N
	Cone/Cup (outer)	HM804846-HM804810
	Cyl. Bearing (pilot)	MUB1305UDM
1989-1987	Rockwell 19145, 21145 axles	
	Cone/Cup (inner)	72212C-72487
	Seal (outer)	3905
	Cone/Cup (outer)	55206C-55437
	Cyl. Bearing (pilot)	RU1570UM
1989-1987	Rockwell 21230 axle	
	Cone/Cup (inner)	55200C-55437
	Seal (outer)	415082N
	Cone/Cup (outer)	HM804846-HM804810
1989-1987	Rockwell 23160 axle	
	Cone/Cup (inner)	9278-9220
	Seal (outer)	417987N
	Cone/Cup (outer)	HM813843-HM813810
1989-1987	Rockwell 23240 axle	
	Cone/Cup (inner)	78225C-78551
	Seal (outer)	3905
	Cone/Cup (outer)	55206C-55437
1989-1987	Rockwell 23180 axle	
	Cone/Cup (inner)	9278-9220
	Seal (outer)	417987N
	Cone/Cup (outer)	H715334-H715311
	Cyl. Bearing (pilot)	MUB7309UM
1989-1987	Rockwell 17140 axle with 3200-L-1676 carrier	
	Cone/Cup (inner)	55200C-55437
	Seal (outer)	415082N
	Cone/Cup (outer)	M804049-M804010
	Cyl. Bearing (pilot)	RU1570UM
1989-1987	Rockwell 17220, 19220 axles	
	Cone/Cup (inner)	55200C-55437
	Seal (outer)	415082N
	Cone/Cup (outer)	M804049-M804010
	Cyl. Bearing (pilot)	RU1570UM
1988-1980	Eaton 22121, 22221 axles	
	Cone/Cup (inner)	72200C-72487
	Seal (outer)	9773R
	Cone/Cup (outer)	55200C-55437
	Cyl. Bearing (pilot)	MUS1307UM
1988-1976	Eaton 23121, 23221 axles	
	Cone/Cup (inner)	78215C-78551
	Seal (outer)	712937
	Cone/Cup (outer)	72212C-72487
	Cyl. Bearing (pilot)	MUS1308UM

FORD TRUCK - 1-1/2, 2, 2-1/2 TON - 400, 450, 500, 600, 700, 4000, 4500 Series, Pickup, Parcel Delivery, Motor Home Chassis (cont.)

REAR AXLE (cont.)

Pinion (cont.)

1988-1973	Rockwell R170 axle: exc. 7.40 final drive ratio
	Cone/Cup (inner) H715343-H715311
	Seal (outer) 475012N
	Cone/Cup (outer) HM813843-HM813810
	Cyl. Bearing (pilot) MUB1309UM
1988-1973	Rockwell R170 axle: 7.40 final drive ratio
	Cone/Cup (inner) H715343-H715311
	Seal (outer) 475012N
	Cone/Cup (outer) HM813843-HM813810
	Cyl. Bearing (pilot) MUC1309UM
1988-1964	Eaton 17121 axle
	Cone/Cup 55200C-55437[2]
	Seal (outer) 9773R
	Cyl. Bearing (pilot) MUS1307UM
1988-1961	Eaton 17100, 17101, 17120 axles
	Cone/Cup 55200C-55437[2]
	Seal (outer) 9773R
	Cyl. Bearing (pilot) MUS1307UM
1988-1961	Eaton 17200, 17220, 17221 axles
	Cone/Cup 55200C-55437[2]
	Seal (outer) 9773R
	Cyl. Bearing (pilot) MUS1307UM
1988-1961	Eaton 18121, 18221 axles
	Cone/Cup 55200C-55437[2]
	Seal (outer) 9773R
	Cyl. Bearing (pilot) MUS1307UM
1987	Rockwell 15210 axle: production thru 11/1987
	Cone/Cup (inner) 55200C-55437
	Seal (outer) 415082N
	Cone/Cup (outer) M804049-M804010
	Cyl. Bearing (pilot) MUB1305TDM
1986-1980	Dana/Spicer M185T, M190T, M220S, M220T axles
	Cone/Cup (inner) 72225C-72487
	Seal (outer) 477163N
	Cone/Cup (outer) 55200C-55437
	Cyl. Bearing (pilot) MUS1308UM
1986-1980	Dana/Spicer G175T axle
	Cone/Cup 55200C-55437[2]
	Seal (outer) 477163N
	Cyl. Bearing (pilot) MUS1307UM
1986-1977	Rockwell H172, H173 axles
	Cone/Cup (inner) 55200C-55437
	Seal (outer) 415082N
	Cone/Cup (outer) HM804846-HM804810
	Cyl. Bearing (pilot) RU1570UM
1986-1975	Rockwell D100, D140, F106 axles
	Cone/Cup (inner) HM803146-HM803110
	Seal (outer) 470308N
	Cone/Cup (outer) 44143-44348
	Cyl. Bearing (pilot) MU1305TDM
1986-1964	Eaton 16244 axle
	Cone/Cup 55175C-55437[2]
	Seal (outer) 9773R
	Cyl. Bearing (pilot) MUS1307UM

REAR AXLE (cont.)

Pinion (cont.)

1986-1954	Eaton 15201 axle
	Cone/Cup HM903249-HM903210[2]
	Cyl. Bearing (pilot) MU1305TDM
	Seal Kit 722250S
	Seal 470737N
1979-1961	Eaton 7800 axle
	Cone/Cup 55200C-55437[2]
	Seal (outer) 9773R
	Cyl. Bearing (pilot) MUS1307UM
1979-1961	Eaton 17800 axle
	Cone/Cup 55200C-55437[2]
	Seal (outer) 9773R
	Cyl. Bearing (pilot) MUS1307UM
1977-1964	Rockwell H170 axle
	Cone/Cup (inner) HM807044-HM807010
	Seal (outer) 470574N
	Cone/Cup (outer) M804049-M804010
	Cyl. Bearing (pilot) RU1570UM
1974-1954	Rockwell C100 axle
	Cone/Cup (inner) M903345-M903310
	Seal (outer) 470308N
	Cone/Cup (outer) 44143-44348
	Cyl. Bearing (pilot) MU1305TDM
1974-1954	Rockwell D100, D140, F106 axles
	Cone/Cup (inner) HM903244-HM903210
	Seal (outer) 470308N
	Cone/Cup (outer) 44143-44348
	Cyl. Bearing (pilot) MU1305TDM
1969-1968	Rockwell L346 axle
	Cone/Cup (inner) HM804843-HM804810
	Seal (outer) 475009N
	Cone/Cup (outer) HM813842-HM813810
1969-1964	Eaton 17801 axle
	Cone/Cup 55200C-55437[2]
	Seal (outer) 9773R
	Cyl. Bearing (pilot) MUS1307UM
1969-1964	Rockwell H140 axle: 1.375" pinion shaft OD
	Cone/Cup (inner) 55187C-55443
	Seal (outer) 410101N
	Cone/Cup (outer) 55176C-55443
	Cyl. Bearing (pilot) RU1570UM
1969-1964	Rockwell H140 axle: 1.875" pinion shaft OD
	Cone/Cup (inner) 55187C-55443
	Seal (outer) 410101N
	Cone/Cup (outer) 55176C-55443
	Cyl. Bearing (pilot) MU1306TDM
1969-1961	Eaton 1614 axle
	Cone/Cup 55175C-55437[2]
	Seal (outer) 475003N
	Cyl. Bearing (pilot) MU1306UM
1969-1961	Eaton 1790, 1791 axles
	Cone/Cup (inner) 55200C-55437[2]
	Seal (outer) 475003N
	Cyl. Bearing (pilot) MUS1307UM

Bearings and Seals

Mfg./Year Model & Location Part No Mfg./Year Model & Location Part No

FORD TRUCK - 1-1/2, 2, 2-1/2 TON - 400, 450, 500, 600, 700, 4000, 4500 Series, Pickup, Parcel Delivery, Motor Home Chassis (cont.)

REAR AXLE (cont.)

Pinion (cont.)

1969-1961	Eaton 13800, 13802 axles
	Cone/Cup HM903249-HM903210[2]
	Seal (outer) 470737N
	Cyl. Bearing (pilot) MU1305TDM
1969-1961	Eaton 16220, 16221 axles: 2.375"
	pinion shaft OD
	Cone/Cup HM903249-HM903210[2]
	Seal (outer) 712375
	Cyl. Bearing (pilot) MUS1307UM
1969-1961	Eaton 16220, 16221 axles: 2.625"
	pinion shaft OD
	Cone/Cup HM903249-HM903210[2]
	Seal (outer) 712265
	Cyl. Bearing (pilot) MUS1307UM
1969-1961	Eaton 16802, 16803 axles: 2.375"
	pinion shaft OD
	Cone/Cup HM903249-HM903210[2]
	Seal (outer) 712375
	Cyl. Bearing (pilot) MUS1307UM
1969-1961	Eaton 16802, 16803 axles: 2.625"
	pinion shaft OD
	Cone/Cup HM903249-HM903210[2]
	Seal (outer) 712265
	Cyl. Bearing (pilot) MUS1307UM
1969-1959	Rockwell F104 axle
	Cone/Cup 53176-53387[2]
	Seal (outer) 410737
	Cyl. Bearing (pilot) MU1305TDM
1961	Eaton 1350 axle
	Cone/Cup HM903249-HM903210[2]
	Seal (outer) 470737N
	Cyl. Bearing (pilot) MU1305TDM

Crossshaft

1969-1968	Rockwell L346 axle
	Cone/Cup (LH) HM807040-HM807010
	Cone/Cup (RH) HM807046-HM807010

CLUTCH

Pilot Bearing

1989-1986	600 Series: Clark 5-speed trans
	Bearing 206FF
1989-1986	700 Series: Clark 5-speed trans
	Bearing 206FF
1989-1973	600 Series: gas engine, single plate clutch: exc. 1979-1988 P600 series
	Bearing 202SS
1989-1973	600 Series: 359, 361, 389, 391, 429
	Bearing 205SS
1989-1973	600 Series: diesel: exc. 1986-1992 Clark 5-speed trans
	Bearing 205SS
1989-1973	700 Series: gas engine, single plate clutch
	Bearing 202SS

CLUTCH (cont.)

Pilot Bearing (cont.)

1989-1973	700 Series: 359, 361, 389, 391, 429
	Bearing 205SS
1989-1973	700 Series: diesel engine: exc. 1986-1992 Clark 5-speed trans
	Bearing 205SS
1988-1979	600 Series: 370
	Bearing 105SSI
1988-1979	700 Series: 370
	Bearing 105SSI
1988-1973	600 Series: 401, 475, 477, 534
	Bearing 305S
1988-1973	700 Series: 401, 475, 477, 534
	Bearing 305S
1981-1964	700 Series school bus: 391
	Bearing 105SSI
1979-1978	P600: gas engine, single plate clutch
	Bearing 105CB
1979-1973	600 Series: 300
	Bearing 105CC
1979-1973	600 Series: diesel engine
	Bearing 205SS
1972-1964	550 Series: 330HD, 361, 391
	Bearing 205SS
1968-1957	P400 Series
	Bearing 203S
1968-1957	500 Series
	Bearing 203S

Release Bearing

1989	700 Series: 3208 Cat diesel: 13" & 14" double plate clutches
	Bearing Only FA02256C
1989-1973	600, 700 Series: gas engine, single plate clutch
	Bearing Only F01757C
1989-1973	600, 700 Series: diesel engine, single plate clutch
	Bearing Only FA02256C
1989-1973	600, 700 Series: gas engine, double plate clutch
	Bearing Only FD02256C
1989-1973	600, 700 Series: diesel engine, double plate clutch
	Bearing Only FB02256C
1977-1973	500 Series: 300, 330 engines
	Bearing Only F01757C
1977-1965	400, 500 Series: diaphragm spring clutch
	Bearing Assy 614038
1977-1965	400, 500 Series: 3-finger clutch
	Bearing Assy 614034
1972-1964	500, 550 Series from chassis #530002 on: exc. 12" H/D, 13" clutches
	Bearing Only FB2065C

FORD TRUCK - 1-1/2, 2, 2-1/2 TON - 400, 450, 500, 600, 700, 4000, 4500 Series, Pickup, Parcel Delivery, Motor Home Chassis (cont.)

CLUTCH (cont.)

Release Bearing (cont.)

1972-1964	500, 550 Series from chassis #530002 on: 12" H/D, 13" clutches	
	Bearing Only	F01757C
1971-1965	diesel engines	
	Bearing Only	F01757C
1964	500, 550 Series thru chassis #530001: exc. 330 engine	
	Bearing Only	F2065C
1964	500, 550 Series thru chassis #530001: 330 engine	
	Bearing Only	FA2255C
1964-1953	gas engines	
	Bearing Only	F2065C
1964-1953	diesel engines	
	Bearing Only	FA2255C

DRIVESHAFT SUPPORT

1989-1955	Spicer 1260, 1280, 1310, 1380, 1410, 1480: 1.3780" bearing ID	
	Bearing	88107
	Hanger Bearing Assy	HB88107A
1983-1973	Cleveland 055: 1.5748" bearing ID, 2.25" height	
	Hanger Bearing Assy	HB88508A
1983-1973	Spicer 1410: 1.5748" bearing ID, 2.25" height	
	Hanger Bearing Assy	HB88508A

DRIVESHAFT SUPPORT (cont.)

1983-1955	Spicer 1410, 1650: 1.7717" bearing ID	
	Bearing	88509
	Hanger Bearing Assy	HB88509
1979-1955	Spicer: 1.9685" bearing ID	
	Hanger Bearing Assy	HB88510A
1979-1955	Spicer: 2.3622" bearing ID	
	Hanger Bearing Assy	HB88512AHD
1979-1955	Spicer 1410, 1480: 1.5748" bearing ID, 2.5" height	
	Bearing	88508
	Hanger Bearing Assy	HB88508
1975-1965	Cleveland 055: 1.5000" bearing ID	
	Hanger Bearing Assy	HB2
1975-1965	Cleveland R55: 1.3750" bearing ID	
	Hanger Bearing Assy	HB1
1975-1965	Cleveland S55: 1.3750" bearing ID	
	Hanger Bearing Assy	HB1

FRAZER - see also Kaiser, Henry J - Manhattan, Vagabond

FRONT WHEEL

1951-1949	
	Seal (inner) 471831[2]
	Cone/Cup (inner) 15123-15245[2]
	Cone/Cup (outer) 09067-09195[2]
1948-1947	
	Seal (inner) 5836[2]
	Cone/Cup (inner) 14125A-14276[2]
	Cone/Cup (outer) 09074-09194[2]

REAR WHEEL

1951-1947	
	Seal (inner) 7245[2]
	Seal (outer) 8676S[2]
	Cone/Cup (outer) 25877-25821[2]

REAR AXLE

Differential

1951-1946	all
	Cone/Cup 25577-25523[2]

REAR AXLE

Pinion

1951-1946	all
	Cone/Cup (inner) 31593-31520
	Seal (outer) 5778
	Cone/Cup (outer) 02872-02820

CLUTCH

Pilot Bearing

1951-1946	6-cylinder 226
	Bearing 7109

Release Bearing

1951-1946	6-cylinder 226
	Bearing Only 1562

Bearings and Seals

Mfg./Year Model & Location Part No Mfg./Year Model & Location Part No

FUSO TRUCK - FE Series, FG Series

FRONT WHEEL

1989-1987 with exhaust brake
 Bearing Assy (outer) 32207M[2]
1989-1987 exc. exhaust brake
 Bearing Assy (inner) 30210M[2]
 Bearing Assy (outer) 32207M[2]

REAR WHEEL

1989-1987
 Bearing Assy (inner) 30212M[2]
 Bearing Assy (outer) 30211M[2]

REAR AXLE

Differential

1989-1987 R2T axle
 Cone/Cup 28985-28921[2]

REAR AXLE

Pinion

1989-1987 R2T axle
 Cone/Cup (inner) HM803149-HM803112
 Cone/Cup (outer) HM801346-HM801310

CLUTCH

Pilot Bearing

1989-1987 4-cylinder 3.3 turbodiesel
 Bearing 203FF

Release Bearing

1989-1987 4-cylinder 3.3 turbodiesel
 Bearing Assy 614107

FUSO TRUCK - FH Series, FK Series, FM Series

FRONT WHEEL

1989-1985 exc. FM Series
 Bearing Assy (inner) 32312[2]
 Bearing Assy (outer) 32309M[2]
 Bearing Assy (outer) 32207M[2]
1989-1985 FM Series
 Bearing Assy (outer) 32310[2]

REAR WHEEL

1989-1985 FM Series
 Bearing Assy (inner) 32218M[2]
 Bearing Assy (outer) 32217M[2]
1989-1985 exc. FM Series
 Bearing Assy (inner) 32215[2]
 Bearing Assy (outer) 32213M[2]

REAR AXLE

Differential

1989-1985 R4T, R6T axles
 Bearing Assy 32217M[2]

Pinion

1989-1985 R6T axle
 Bearing Assy (inner) 31312M
 Bearing Assy (outer) 30311
1989-1985 R4T axle
 Bearing Assy (inner) 30309M
 Bearing Assy (outer) 30311

CLUTCH

Pilot Bearing

1989-1987 4-cylinder 4.9 turbodiesel
 Bearing 204FF
1989-1985 6-cylinder 6.6 diesel, turbodiesel
 Bearing 204FF

Release Bearing

1989-1987 4-cylinder 4.9 turbodiesel
 Bearing Only 613017
1989-1985 6-cylinder 6.6 turbodiesel:
 350mm clutch
 Bearing Only 613016
1989-1985 6-cylinder 6.6 turbodiesel:
 325mm clutch
 Bearing Only 613017
1989-1985 6-cylinder 6.6 diesel: 300mm
 clutch
 Bearing Only 613017

DRIVESHAFT SUPPORT

1989-1985 PB Series: 1.7717" (45mm)
 bearing ID
 Bearing 209BB
1989-1985 PB Series: 2.1654" (55mm)
 bearing ID
 Bearing 211TB

GEO - also see Chevrolet Imports from 1998 on - Metro, Prizm, Spectrum, Storm

FRONT WHEEL

1989	Prizm	
	Seal (inner)	1993[2]
	Bearing (inner)	510007[2]
	Seal (outer)	4898[2]
1989	Metro exc. turbo	
	Seal (inner)	4904[2]
	Bearing	107DD[2]
1989	Metro turbo	
	Seal	710175[2]
	Bearing	510001[2]
1989	Spectrum	
	Seal (inner)	710098[2]
	Seal (outer)	224254[2]
	Set	SET35

REAR WHEEL

1989	Metro	
	Bearing (inner)	205F[2]
	Bearing (outer)	204F[2]
1989	Prizm	
	Seal	1180S[2]
	Bearing	513031[2]
1989	Spectrum	
	Seal (inner)	710309[2]
	Set (inner)	SET4
	Set (outer)	SET1

CLUTCH

Pilot Bearing

1989	3 cylinder 1.0, turbo	
	Bearing	200CC
1989	4-cylinder 1.3	
	Bearing	200CC
1989	4-cylinder 1.6 DOHC	
	Bearing	200CC

Release Bearing

1989	Metro 1.0	
	Bearing Assy	614082
1989	Prizm 1.6 DOHC	
	Bearing Assy	614043
1989	Spectrum	
	Bearing Assy	614108

3-SPEED AUTOMATIC TRANSAXLE

Torque Converter

1989	Metro	
	Seal	223830
	Kwik Slv (Opt Rpr)	KWK99147
1989	Prizm	
	Seal	223830
	Kwik Slv (Opt Rpr)	KWK99147

3-SPEED AUTOMATIC TRANSAXLE

Output Shaft

1989	Metro	
	Seal	223540[2]
	Kwik Slv (Opt Rpr)	KWK99139[2]
1989	Prizm	
	Seal	710110[2]

Differential

1989	Aisin A131	
	Seal	710416[2]
1989	Jatco F3A	
	Cone/Cup	XAA32008X-Y32008X[2]
1989	Aisin A210 (exc. turbo)	
	Bearing	207S[2]
1989	Aisin A210 (turbo)	
	Bearing	207[2]

Selector Shaft Seal/Man. Shaft

1989	Prizm	
	Seal	221207
	Kwik Slv (Opt Rpr)	KWK99049
1989	Metro	
	Seal	710116

4-SPEED AUTOMATIC TRANSAXLE

Torque Converter

1989	Prizm	
	Seal	223830
	Kwik Slv (Opt Rpr)	KWK99147
1989	Spectrum	
	Seal Viton	710078
	Kwik Slv (Opt Rpr)	KWK99177

Output Shaft

1989	Spectrum	
	Seal	3543[2]
	Kwik Slv (Opt Rpr)	KWK99138[2]

ALTERNATOR

1989	Metro	
	Bearing (drive end)	302CC

CAMSHAFT SEAL

3 Cylinder

1989	Metro 1.0	
	Seal	710310
	Kwik Slv (Opt Rpr)	KWK99128

4 Cylinder

1989	Prizm	
	Seal	1987S
	Kwik Slv (Opt Rpr)	KWK99139
1989	Spectrum	
	Seal	1217
	Kwik Slv (Opt Rpr)	KWK99157

Bearings and Seals

Mfg./Year Model & Location Part No Mfg./Year Model & Location Part No

GEO - also see *Chevrolet Imports from 1998 on - Metro, Prizm, Spectrum, Storm (cont.)*

CRANKSHAFT FRONT SEAL

1989 Metro 1.0
 Seal 710310
 Kwik Slv (Opt Rpr)KWK99128

4 Cylinder

1989 Prizm
 Seal 223235
 Kwik Slv (Opt Rpr)KWK99128
1989 Spectrum
 Seal 223220
 Kwik Slv (Opt Rpr)KWK99128

CRANKSHAFT REAR SEAL

3 Cylinder

1989 Metro 1.0
 Seal 710334

4 Cylinder

1989 Prizm
 Seal 227045
 Kwik Slv (Opt Rpr)KWK99276
1989 Spectrum
 Seal 228700

GOLIATH

REAR WHEEL

1960-1956 all
 Bearing (inner) 206WB[2]
 Bearing (outer) 304WB[2]

GRUMMAN - rear drive - Postal Vehicle

FRONT WHEEL

1989-1987 4x2
 Seal (inner) 4739[2]
 Set (inner) SET6
 Set (outer) SET34

REAR WHEEL

1989-1987
 Cyl. Bearing 513023[2]
 Kit TRP57509[2]¹⁹

REAR AXLE

Differential Rebuild Kit

1989-1987
 Kit DRK320

HILLMAN

FRONT WHEEL

1975-1970 Avenger
 Set (inner) SET4
 Set (outer) SET2
1975-1965 Imp
 Set (inner) SET4
 Set (outer) SET2
1970-1967 Californian
 Set (inner) SET4
 Set (outer) SET2
1970-1967 Hunter
 Set (inner) SET4
 Set (outer) SET2

FRONT WHEEL (cont.)

1970-1967 Husky
 Set (inner) SET4
 Set (outer) SET2
1968-1956 Minx
 Set (inner) SET21
 Set (outer) SET2
1966-1956 Husky
 Set (inner) SET21
 Set (outer) SET2

302 [] Indicates Quantity Required; Set Components Listed Inside Rear Cover;

¹⁹ Opt. Axle Repair Bearing. Replaces O.E. bearing & seal.

HILLMAN (cont.)

REAR WHEEL

1975-1970 Avenger
 Bearing (outer) 207FF[2]

REAR AXLE

Differential

1967-1961 Husky, Minx, Super Minx
 Set SET45
 1960-1955 all
 Cone/Cup 16150-16284[2]

Pinion

1975-1972 Avenger
 Cone/Cup (inner) M88048-M88010
 1975-1965 Imp
 Set (inner) SET5
 Cone/Cup (outer) 21075-21212
 1971-1970 Avenger
 Cone/Cup (inner) M88048-M88010
 Seal (outer) 450059
 1971-1967 Hunter
 Cone/Cup (inner) M88048-M88010
 Seal (outer) 450059

REAR AXLE (cont.)

Pinion (cont.)

1970-1967 Californian
 Set (inner) SET5
 Cone/Cup (outer) 21075-21212
 1970-1967 Husky
 Set (inner) SET5
 Cone/Cup (outer) 21075-21212
 1966-1961 Minx
 Cone/Cup (inner) M88048-M88010
 Seal (outer) 470625

HINO TRUCK - FA, FB Series

FRONT WHEEL

1989-1987 all
 Seal (inner) 710294[2]
 Bearing Assy (inner) 32210M[2]
 Bearing Assy (outer) 32207M[2]

REAR WHEEL

1989-1987 all
 Seal (inner) 710295[2]
 Cone/Cup (inner) 29586-29522[2]
 Seal (outer) 710296[2]
 Cone/Cup (outer) 28680-28622[2]

CLUTCH

Pilot Bearing

1989-1987 4-cylinder 3.8 turbodiesel
 Bearing 203FF

Release Bearing

1989-1987 4-cylinder 3.8 turbodiesel
 Bearing Only 613013

HINO TRUCK - FD, FE, FF, FG, GC, SF, SG Series

FRONT WHEEL

1989-1985 FD, FD, GC Series
 Seal (inner) 710371[2]
 Bearing Assy (inner) 30310[2]
 Bearing Assy (outer) 32307[2]
 1989-1985 FE, FF, SF, SG Series
 Seal (inner) 710368[2]
 Bearing Assy (inner) 30313[2]
 Bearing Assy (outer) 30310[2]

REAR WHEEL

1989-1985 FE, FF, FG, SF, SG Series
 Seal (inner) 710369[2]
 Bearing Assy (inner) 32215[2]
 Bearing Assy (outer) 32217M[2]

REAR WHEEL (cont.)

1989-1985 FD, GC Series
 Bearing Assy (inner) 32215[2]
 Bearing Assy (outer) 32213M[2]

REAR AXLE

Differential

1989-1985 SS17-3 axle
 Cone/Cup JM515649-JM515610[2]
 1989-1985 SS13, SS15 series axles
 Bearing Assy 32214[2]

Bearings and Seals

Mfg./Year Model & Location Part No Mfg./Year Model & Location Part No

HINO TRUCK - FD, FE, FF, FG, GC, SF, SG Series (cont.)

REAR AXLE

Pinion

1989-1985	SS13, SS17 series axles	
	Bearing Assy (inner)	30311
	Bearing Assy (outer)	30310
1989-1985	SS15 series axles	
	Bearing Assy (inner)	30310
	Bearing Assy (outer)	30309M

CLUTCH

Pilot Bearing

1989-1985	6-cylinder 6.0, 6.7 diesels	
	Bearing	204FF
1989-1985	6-cylinder 6.5, 6.7 turbodiesels	
	Bearing	204FF

CLUTCH

Release Bearing

1989-1985	6-cylinder 6.5 and 6.7 engines	
	Bearing Only	613016
1988-1985	6-cylinder 6.0 diesel: 325mm clutch	
	Bearing Only	613013

DRIVESHAFT SUPPORT

1989-1985	1.7717" (45mm) bearing ID	
	Bearing	209BB

HOLDEN

FRONT WHEEL

1972-1971	Statesman	
	Set (inner)	SET6
	Set (outer)	SET2
1972-1968	Belmont	
	Set (inner)	SET6
	Set (outer)	SET2
1972-1968	Kingswood	
	Set (inner)	SET6
	Set (outer)	SET2
1972-1968	Monaro Coupe	
	Set (inner)	SET6
	Set (outer)	SET2
1972-1968	Monaro GTS	
	Set (inner)	SET6
	Set (outer)	SET2
1972-1968	Premier	
	Set (inner)	SET6
	Set (outer)	SET2
1971-1967	Torana	
	Set (inner)	SET4
	Set (outer)	SET1
1969-1968	Brougham	
	Set (inner)	SET6
	Set (outer)	SET2
1967-1963	EH, HD, HR	
	Set (inner)	SET6
	Set (outer)	SET2

REAR WHEEL

1979-1971	all	
	Seal	712146[2]
	Set	SET9
1970-1961	all	
	Bearing	RW507ER[2]

REAR AXLE

Pinion

1979-1967	Torana: 6-cylinder	
	Cone/Cup (inner)	HM88649-HM88610
	Cone/Cup (outer)	M86649-M86610
1973-1968	Monaro: 8-cylinder	
	Cone/Cup (inner)	M802048-M802011
	Cone/Cup (outer)	M88048-M88010
1973-1968	Monaro GTS	
	Cone/Cup (inner)	HM89449-HM89410
	Cone/Cup (outer)	M86649-M86610
1973-1968	Premier	
	Cone/Cup (inner)	HM88649-HM88610
	Cone/Cup (outer)	M86649-M86610
1972-1971	Statesman	
	Cone/Cup (inner)	HM88649-HM88610
	Cone/Cup (outer)	M86649-M86610
1972-1968	Belmont	
	Cone/Cup (inner)	HM88649-HM88610
	Cone/Cup (outer)	M86649-M86610
1972-1968	Kingswood: 6-cylinder	
	Cone/Cup (inner)	HM88649-HM88610
	Cone/Cup (outer)	M86649-M86610
1972-1968	Kingswood: 8-cylinder	
	Cone/Cup (inner)	M802048-M802011
	Cone/Cup (outer)	M88048-M88010
1970-1969	Brougham	
	Cone/Cup (inner)	HM88649-HM88610
	Cone/Cup (outer)	M86649-M86610
1967-1960	EH, EJ, EK, FB, HD, HR	
	Cone/Cup (inner)	HM88649-HM88610
	Cone/Cup (outer)	M86649-M86610

CLUTCH

Release Bearing

1979-1967	Torana	
	Bearing Assy	614037 ⁴²
1973-1968	Monaro: 327, 350 engines	
	Bearing Assy	614018 ⁴²

304 [] Indicates Quantity Required; Set Components Listed Inside Rear Cover;

⁴² Sealed Self-Aligning Bearing

HOLDEN (cont.)

CLUTCH (cont.)

Release Bearing (cont.)

1972-1971 Statesman	
Bearing Assy	614037 ⁴²
1972-1968 Belmont	
Bearing Assy	614037 ⁴²
1972-1968 Kingswood	
Bearing Assy	614037 ⁴²
1972-1968 Premier	
Bearing Assy	614037 ⁴²
1970-1969 Brougham	
Bearing Assy	614037 ⁴²
1967-1960 EH, EJ, EK, FB, HD, HR	
Bearing Assy	614037 ⁴²

HONDA - 600

FRONT WHEEL

1972-1970	
Seal (inner)	473823[2]
Seal (outer)	224465[2]
Bearing	305D[2]

REAR WHEEL

1972-1970	
Bearing (inner)	205F[2]
Bearing (outer)	204F[2]

4-SPEED MANUAL TRANSAXLE

Differential

1972-1970	
Bearing	109TB[2]

Input Shaft

1972-1970	
Seal	222220
Kwik Slv (Opt Rpr)	KWK99085

4-SPEED MANUAL TRANSAXLE

Output Shaft

1972-1970	
Seal (LH)	223580
Kwik Slv (Opt Rpr) (LH)	KWK99139
Seal (RH)	2007N
Kwik Slv (Opt Rpr) (RH)	KWK99139

CRANKSHAFT FRONT SEAL

1972-1970	
Seal	451143

TIMING COVER

4 Cylinder

1972-1970	
Seal	710332
Seal Viton Opt.	1121

HONDA - Accord

FRONT WHEEL

1989-1988 LXI	
Hub Assy	HA594460[2]
1989-1986	
Bearing	513053[2]
Hub Assy	518505[2] ⁶²
1985-1984 Sei	
Seal (inner)	1936[2]
Bearing (inner)	513025[2]
Seal (outer)	710148[2]
1985-1984 exc. Sei	
Seal (inner)	1937[2]
Bearing (inner)	B32[2]
Seal (outer)	710337[2]

FRONT WHEEL (cont.)

1983 from chassis #DC099355, DC101604	
Seal (inner)	1937[2]
Bearing (inner)	B32[2]
Seal (outer)	710337[2]
1983-1981 thru chassis #DC099354, DC101603	
Seal (inner)	1939[2]
Bearing (inner)	B32[2]
Seal (outer)	1943[2]
Hub Assy	518504[2] ⁶²
1980	
Seal (inner)	1938[2]
Bearing (inner)	B36[2]
Seal (outer)	1943[2]

[] Indicates Quantity Required; Set Components Listed Inside Rear Cover;

⁴² Sealed Self-Aligning Bearing ⁶² Kit incl: Hub & Bearing, Seal, Mounting Bolts

Bearings and Seals

Mfg./Year Model & Location Part No Mfg./Year Model & Location Part No

HONDA - Accord (cont.)

FRONT WHEEL (cont.)

1979-1976
 Seal (inner) 1951[2]
 Bearing (inner) B36[2]
 Seal (outer) 1952[2]

REAR WHEEL

1989-1986
 Hub Assy 513033[2]
1985-1982
 Seal (inner) 494117[2]
 Set (inner) SET8
 Set (outer) SET2
1981-1976
 Seal (inner) 1953S[2]
 Set (inner) SET8
 Set (outer) SET2

TRANSMISSION REBUILD KIT

1989-1986 Accord
 Kit TRKH120

CLUTCH

Pilot Bearing

1987-1976
 Bearing 102CC

Release Bearing

1989-1982
 Bearing Assy 614031
1981-1979
 Bearing Only 613001
1978-1976
 Bearing Assy 01296
 Bearing Only HN1719C

2-SPEED and 3-SPEED AUTOMATIC TRANSAXLE

Torque Converter

1982-1976
 Seal 350609

Output Shaft

1982-1976
 Seal (LH) 223580
 Kwik Slv (Opt Rpr) (LH) KWK99139
 Seal (RH) 2007N
 Kwik Slv (Opt Rpr) (RH) KWK99139

Differential

1982-1976
 Bearing 207[2]

4-SPEED AUTOMATIC TRANSAXLE

Differential

1989-1983
 Bearing 208[2]

Torque Converter

1989-1976
 Seal 350609

Output Shaft

1989-1986
 Seal (LH) 1146S
 Kwik Slv (Opt Rpr) (LH) KWK99139
 Seal (RH) 224045
 Kwik Slv (Opt Rpr) (RH) KWK99139
1985-1984
 Seal (LH) 1146S
 Kwik Slv (Opt Rpr) (LH) KWK99157
 Seal (RH) 224045
 Kwik Slv (Opt Rpr) (RH) KWK99157
1983
 Seal 470074[2]
 Kwik Slv (Opt Rpr) KWK99139[2]

Selector Shaft Seal/Man. Shaft

1989-1976
 Seal 221207
 Kwik Slv (Opt Rpr) KWK99049

5-SPEED MANUAL TRANSAXLE

Differential

1989-1979
 Bearing 208[2]
1978-1976
 Bearing 207[2]

Input Shaft

1989-1984
 Seal Viton 222742
 Kwik Slv (Opt Rpr) KWK99106
1983-1976
 Seal 222540
 Kwik Slv (Opt Rpr) KWK99098

Output Shaft

1989
 Seal (LH) 2007N
 Kwik Slv (Opt Rpr) (LH) KWK99139
 Seal (RH) 3459S
 Kwik Slv (Opt Rpr) (RH) KWK99157
1988-1986
 Seal (LH) 239146
 Kwik Slv (Opt Rpr) (LH) KWK99147
 Seal (RH) 1036
 Kwik Slv (Opt Rpr) (RH) KWK99157
1985-1984
 Seal (LH) 239146
 Kwik Slv (Opt Rpr) (LH) KWK99147
 Seal (RH) 1147
 Kwik Slv (Opt Rpr) (RH) KWK99139

HONDA - Accord (cont.)

5-SPEED MANUAL TRANSAXLE (cont.)

Output Shaft (cont.)

1983-1976	
Seal (LH)	223580
Kwik Slv (Opt Rpr) (LH)	KWK99139
Seal (RH)	1147
Kwik Slv (Opt Rpr) (RH)	KWK99139

Selector Shaft Seal/Man. Shaft

1989-1976	
Seal	221607

ALTERNATOR

1989-1976 Nippondenso	
Bearing (drive end)	203FF
Bearing (rear end)	201CC
1989-1984 Mitsubishi	
Bearing (drive end)	303CC
Bearing (rear end)	201CC

CAMSHAFT SEAL

4 Cylinder

1989-1984	
Seal	320595
1983-1976	
Seal	1990
Kwik Slv (Opt Rpr)	KWK99106

CRANKSHAFT FRONT SEAL

4 Cylinder

1989-1984	
Seal Viton	710331
Kwik Slv (Opt Rpr)	KWK99139
1983-1976	
Seal	3771
Kwik Slv (Opt Rpr)	KWK99139

CRANKSHAFT REAR SEAL

4 Cylinder

1989-1984	
Seal	228015
Kwik Slv (Opt Rpr)	KWK99315
1983-1976	
Seal	227410
Kwik Slv (Opt Rpr)	KWK99299

TIMING COVER

4 Cylinder

1989-1983	
Seal Viton	710331
Kwik Slv (Opt Rpr)	KWK99139
1983-1976	
Seal	710329
Kwik Slv (Opt Rpr)	KWK99139

HONDA - Civic, Civic CVCC

FRONT WHEEL

1989-1984	
Bearing	513024[2]
1983-1980	
Seal (inner)	1938[2]
Bearing (inner)	B36[2]
Seal (outer)	1943[2]
1979-1973	
Seal (inner)	1951[2]
Bearing (inner)	B36[2]
Seal (outer)	1952[2]

REAR WHEEL

1989-1988 2 WD Wagon	
Hub Assy	513033[2]
1989-1988 Wagon 4WD	
Set	SET35
1989-1985 exc. 4wd	
Hub Assy	513035[2]
1987-1985 Wagon 4WD	
Bearing	513032[2]
1984	
Hub Assy	513034[2]
1983-1980	
Seal (inner)	494117[2]
Set (inner)	SET8
Set (outer)	SET2

REAR WHEEL (cont.)

1979-1973 Wagon	
Seal (inner)	473367[2]
Bearing (inner)	RW101[2]
Bearing (outer)	304WB[2]
1979-1973 Sedan	
Seal (inner)	1953S[2]
Bearing (inner)	RW122[2]
Bearing (outer)	304WB[2]

TRANSMISSION REBUILD KIT

1989-1986 5 Spd Black Tin Cover	
Kit	TRKH120
1987-1984 5 Spd, Aluminum Cover	
Kit	TRKH110

CLUTCH

Pilot Bearing

1989-1973	
Bearing	102CC

Bearings and Seals

Mfg./Year Model & Location Part No Mfg./Year Model & Location Part No

HONDA - Civic, Civic CVCC (cont.)

CLUTCH

Release Bearing

1989	1.6L, 4wd	
	Bearing Assy	614031
1989	1.6, 2wd	
	Bearing Assy	614146
1989-1988	1.5 litre	
	Bearing Assy	614146
1988	1.6L	
	Bearing Assy	614031
1987-1985	exc. 4wd	
	Bearing Assy	614033
1987-1985	4wd	
	Bearing Assy	614031
1984		
	Bearing Assy	614033
1983-1973		
	Bearing Assy	01296
	Bearing Only	HN1719C

2-SPEED and 3-SPEED AUTOMATIC TRANSAXLE

Torque Converter

1985-1973		
	Seal	350609

Output Shaft

1985-1984		
	Seal (LH)	223580
	Kwik Slv (Opt Rpr) (LH)	KWK99139
	Seal (RH)	4901
	Kwik Slv (Opt Rpr) (RH)	KWK99139
1983-1973		
	Seal (LH)	223580
	Kwik Slv (Opt Rpr) (LH)	KWK99139
	Seal (RH)	223543
	Kwik Slv (Opt Rpr) (RH)	KWK99139

Differential

1985-1973		
	Bearing	207[2]

Selector Shaft Seal/Man. Shaft

1985-1973		
	Seal	221207
	Kwik Slv (Opt Rpr)	KWK99049

4-SPEED AUTOMATIC TRANSAXLE

Differential

1989-1984		
	Bearing	208[2]

4-SPEED AUTOMATIC TRANSAXLE

Torque Converter

1989-1984		
	Seal	350609

Output Shaft

1989-1988		
	Seal (LH)	223543
	Kwik Slv (Opt Rpr) (LH)	KWK99139
	Seal (RH)	1147
	Kwik Slv (Opt Rpr) (RH)	KWK99139
1987-1986		
	Seal (LH)	1146S
	Kwik Slv (Opt Rpr) (LH)	KWK99157
	Seal (RH)	4901
	Kwik Slv (Opt Rpr) (RH)	KWK99139

Selector Shaft Seal/Man. Shaft

1989-1984		
	Seal	221207
	Kwik Slv (Opt Rpr)	KWK99049

4-SPEED MANUAL TRANSAXLE

Differential

1987-1980		
	Bearing	207[2]

Input Shaft

1987-1973		
	Seal	222220
	Kwik Slv (Opt Rpr)	KWK99085

Output Shaft

1987-1973		
	Seal (LH)	223580
	Kwik Slv (Opt Rpr) (LH)	KWK99139
	Seal (RH)	2007N
	Kwik Slv (Opt Rpr) (RH)	KWK99139

5-SPEED MANUAL TRANSAXLE

Differential

1989-1984		
	Bearing	207[2]
1983	1st Design	
	Bearing	208[2]
1983	2nd Design	
	Bearing	208[2]
1982-1975		
	Bearing	207[2]

Input Shaft

1989-1988		
	Seal Viton	222742
	Kwik Slv (Opt Rpr)	KWK99106
1987-1975		
	Seal	222220
	Kwik Slv (Opt Rpr)	KWK99085

HONDA - Civic, Civic CVCC (cont.)

5-SPEED MANUAL TRANSAXLE

Output Shaft

1989-1988	
Seal (LH)	710315
Kwik Slv (Opt Rpr) (LH)	KWK99139
Seal (RH)	4901
Kwik Slv (Opt Rpr) (RH)	KWK99139
1987-1975	
Seal (LH)	223580
Kwik Slv (Opt Rpr) (LH)	KWK99139
Seal (RH)	1147
Kwik Slv (Opt Rpr) (RH)	KWK99139

Selector Shaft Seal/Man. Shaft

1989-1988	
Seal	221607

ALTERNATOR

1989-1984 Mitsubishi	
Bearing (drive end)	303CC
Bearing (rear end)	201CC
1987-1980 Nippondenso	
Bearing (drive end)	203FF
Bearing (rear end)	201CC
1979-1973 Nippondenso	
Bearing (drive end)	303CC
Bearing (rear end)	201S

CAMSHAFT SEAL

4 Cylinder

1989-1975	
Seal	320595

CRANKSHAFT REAR SEAL

4 Cylinder

1989-1984	
Seal	228015
1983-1980	
Seal	227410
1979-1975 1.5 litre	
Seal	228015
Kwik Slv (Opt Rpr)	KWK99315
1979-1973 1.2L	
Seal	227610

TIMING COVER

4 Cylinder

1989-1980	
Seal	710332
Seal Viton Opt.	1121
Kwik Slv (Opt Rpr)	KWK99125
1983-1980 1.3L	
Seal	710329
Kwik Slv (Opt Rpr)	KWK99139
1983-1975 1.5 litre	
Seal	224840
Kwik Slv (Opt Rpr)	KWK99139
1979-1973 1.2L	
Seal	3771
Kwik Slv (Opt Rpr)	KWK99139

HONDA - CRX

FRONT WHEEL

1989-1988	
Bearing	513024[2]
1987-1984 DX, SI	
Bearing	513024[2]
1987-1984 HF	
Set	SET35

REAR WHEEL

1989-1985	
Hub Assy	513035[2]
1984	
Hub Assy	513034[2]

TRANSMISSION REBUILD KIT

1989-1986 5 Spd Black Tin Cover	
Kit	TRKH120
1987-1984 5 Spd, Aluminum Cover	
Kit	TRKH110

CLUTCH

Pilot Bearing

1989-1984	
Bearing	102CC

Release Bearing

1989-1988	
Bearing Assy	614077
1987-1984	
Bearing Assy	614033

3-SPEED AUTOMATIC TRANSAXLE

Torque Converter

1985-1984	
Seal	350609

Bearings and Seals

Mfg./Year Model & Location Part No Mfg./Year Model & Location Part No

HONDA - CRX (cont.)

3-SPEED AUTOMATIC TRANSAXLE

Output Shaft

1985-1984
 Seal (LH) 223580
 Seal (RH) 2007N

Differential

1985-1984
 Bearing 208[2]

Selector Shaft Seal/Man. Shaft

1985-1984
 Seal 221207
 Kwik Slv (Opt Rpr) KWK99049

4-SPEED AUTOMATIC TRANSAXLE

Differential

1989-1986
 Bearing 208[2]

Torque Convertor

1989-1986
 Seal 350609

Output Shaft

1989-1986
 Seal (LH) 4901
 Kwik Slv (Opt Rpr) (LH) KWK99139
 Seal (RH) 1147
 Kwik Slv (Opt Rpr) (RH) KWK99139

Selector Shaft Seal/Man. Shaft

1989-1986
 Seal 221207
 Kwik Slv (Opt Rpr) KWK99049

5-SPEED MANUAL TRANSAXLE

Differential

1989-1988
 Bearing (LH) 207
 Bearing (RH) 208
1987-1984
 Bearing 207[2]

Input Shaft

1989-1988
 Seal Viton 222742
 Kwik Slv (Opt Rpr) KWK99106
1987-1984
 Seal 222220
 Kwik Slv (Opt Rpr) KWK99085

5-SPEED MANUAL TRANSAXLE

Output Shaft

1989-1988 1.5L
 Seal (LH) 2007N
 Kwik Slv (Opt Rpr) (LH) KWK99139
 Seal (RH) 4901
 Kwik Slv (Opt Rpr) (RH) KWK99139
1987-1984
 Seal (LH) 223580
 Kwik Slv (Opt Rpr) (LH) KWK99139
 Seal (RH) 710314
 Kwik Slv (Opt Rpr) (RH) KWK99134

Selector Shaft Seal/Man. Shaft

1989-1984
 Seal 710243
 Kwik Slv (Opt Rpr) KWK99058

ALTERNATOR

1989-1984 Mitsubishi
 Bearing (drive end) 303CC
 Bearing (rear end) 201CC
1987-1984 Nippondenso
 Bearing (drive end) 203FF
 Bearing (rear end) 201CC

CAMSHAFT SEAL

4 Cylinder

1989-1988 1.6L
 Seal 320595
 Kwik Slv (Opt Rpr) KWK99112
1989-1984 1.5L
 Seal 320595
 Kwik Slv (Opt Rpr) KWK99112
1984 1.3L
 Seal 320595
 Kwik Slv (Opt Rpr) KWK99112

CRANKSHAFT REAR SEAL

4 Cylinder

1989-1988 1.6L
 Seal 228015
1989-1984 1.5L
 Seal 228015
1984 1.3L
 Seal 228015

TIMING COVER

4 Cylinder

1989-1988 1.6L
 Seal 710332
 Seal Viton Opt 1121
 Kwik Slv (Opt Rpr) KWK99125
1989-1984 1.5L
 Seal 710332
 Seal Viton Opt 1121
 Kwik Slv (Opt Rpr) KWK99125

HONDA - CRX (cont.)

TIMING COVER (cont.)

4 Cylinder (cont.)

1984	1.3L	
Seal	710332
Seal Viton Opt.	1121
Kwik Slv (Opt Rpr)	KWK99125

HONDA - Prelude

FRONT WHEEL

1989-1988		
Bearing	513241[2]
1987-1985	SI	
Seal (inner)	1936[2]
Bearing (inner)	513025[2]
Seal (outer)	710148[2]
1987-1985	exc. Si	
Seal (inner)	1937[2]
Bearing (inner)	B32[2]
Seal (outer)	710337[2]
1984-1983		
Seal (inner)	1937[2]
Bearing (inner)	B32[2]
Seal (outer)	710337[2]
1982-1981		
Seal (inner)	1938[2]
Bearing (inner)	B32[2]
Seal (outer)	1943[2]
1980-1979		
Seal (inner)	1938[2]
Bearing (inner)	B36[2]
Seal (outer)	1943[2]

REAR WHEEL

1989-1988		
Bearing	513182[2]
1987-1984		
Seal (inner)	710097[2]
Set (inner)	SET8
Set (outer)	SET2
1983-1979		
Seal (inner)	494117[2]
Set (inner)	SET8
Set (outer)	SET2

TRANSMISSION REBUILD KIT

1987-1985		
Kit	TRKH120
1983-1979	ACC, Full tin Cover	
Kit	TRKH100

CLUTCH

Pilot Bearing

1987-1979		
Bearing	102CC

CLUTCH

Release Bearing

1989-1988		
Bearing Assy	614068
1987-1983		
Bearing Assy	614031
1982		
Bearing Only	613003
1981-1979		
Bearing Only	613006

3-SPEED AUTOMATIC TRANSAXLE

Torque Converter

1982-1979		
Seal	350609

Output Shaft

1982-1979		
Seal (LH)	223580
Kwik Slv (Opt Rpr) (LH)	KWK99139
Seal (RH)	2007N
Kwik Slv (Opt Rpr) (RH)	KWK99139

Differential

1982-1979		
Bearing	207[2]

Selector Shaft Seal/Man. Shaft

1982-1979		
Seal	221207
Kwik Slv (Opt Rpr)	KWK99049

4-SPEED AUTOMATIC TRANSAXLE

Differential

1989-1988		
Bearing Assy (LH)	30208M
Bearing Assy (RH)	32010X
1987-1983		
Bearing	208[2]

Torque Converter

1989-1983		
Seal	350609

Bearings and Seals

Mfg./Year Model & Location Part No Mfg./Year Model & Location Part No

HONDA - Prelude (cont.)

4-SPEED AUTOMATIC TRANSAXLE

Output Shaft

1989-1988	
Seal (LH)	239146
Kwik Slv (Opt Rpr)	KWK99147
Seal (RH)	224066
Kwik Slv (Opt Rpr)	KWK99157
1987-1983	
Seal (LH)	4901
Kwik Slv (Opt Rpr) (LH)	KWK99139
Seal (RH)	1147
Kwik Slv (Opt Rpr) (RH)	KWK99139

Selector Shaft Seal/Man. Shaft

1989-1983	
Seal	221207
Kwik Slv (Opt Rpr)	KWK99049

5-SPEED MANUAL TRANSAXLE

Differential

1989-1988	
Bearing Assy (LH)	30208M
1987-1985	
Bearing	208[2]
1982-1979	
Bearing	208[2]

Input Shaft

1989-1988	
Seal	222830
1987-1984	
Seal Viton	222742
Kwik Slv (Opt Rpr)	KWK99106
1983-1979	
Seal	222540
Kwik Slv (Opt Rpr)	KWK99098

Output Shaft

1989-1988	
Seal (LH)	239146
Kwik Slv (Opt Rpr) (LH)	KWK99147
Seal (RH)	224063
Kwik Slv (Opt Rpr) (RH)	KWK99157
1987-1985 SI	
Seal (LH)	239146
Kwik Slv (Opt Rpr) (LH)	KWK99147
Seal (RH)	1036
Kwik Slv (Opt Rpr) (RH)	KWK99157
1987-1984 DX	
Seal (LH)	239146
Kwik Slv (Opt Rpr) (LH)	KWK99147
Seal (RH)	1147
Kwik Slv (Opt Rpr) (RH)	KWK99139
1983-1979	
Seal (LH)	1147
Kwik Slv (Opt Rpr) (LH)	KWK99139
Seal (RH)	4901
Kwik Slv (Opt Rpr) (RH)	KWK99139

5-SPEED MANUAL TRANSAXLE

Selector Shaft Seal/Man. Shaft

1989-1979	
Seal	221607

ALTERNATOR

1989-1988 Mitsubishi	
Bearing (drive end)	303CC
Bearing (rear end)	201CC
1987-1979 Nippondenso	
Bearing (drive end)	203FF
Bearing (rear end)	201CC

CAMSHAFT SEAL

4 Cylinder

1987-1985 2.0L SOHC, DOHC	
Seal	320595
1987-1983 1.8L	
Seal	320595
1982-1979 1.8L	
Seal	222743
Kwik Slv (Opt Rpr)	KWK99106

CRANKSHAFT FRONT SEAL

4 Cylinder

1989-1988 2.0L SOHC, DOHC	
Seal Viton	1120S
Kwik Slv (Opt Rpr)	KWK99147
1987-1985 2.0L SOHC	
Seal Viton	710331
Kwik Slv (Opt Rpr)	KWK99139
1987-1983 1.8L	
Seal Viton	710331
Kwik Slv (Opt Rpr)	KWK99139
1982-1979 1.8L	
Seal	3771
Kwik Slv (Opt Rpr)	KWK99139

CRANKSHAFT REAR SEAL

4 Cylinder

1989-1985 2.0L SOHC, DOHC	
Seal	228015
Kwik Slv (Opt Rpr)	KWK99315
1987-1983 1.8L	
Seal	228015
Kwik Slv (Opt Rpr)	KWK99317
1982-1979 1.8L	
Seal	227410

HUDSON - Big Boy, Commodore, Country Club, DeLuxe, Hollywood, Hornet, Italia, Jet, Jet Liner, Pacemaker, Rambler, Super 6, Super 8, Super Jet, Super Wasp, Traveller, Wasp, 10-20 Series

FRONT WHEEL

1957-1955	all	
Seal (inner)	203008[2]
Set (inner)	SET6
Set (outer)	SET2
1954-1948	all	
Seal (inner)	471831[2]
Cone/Cup (inner)	15123-15245[2]
Cone/Cup (outer)	09067-09195[2]
1947-1946	Rambler	
Seal (inner)	6356[2]
Cone/Cup (inner)	15118-15250X[2]
Cone/Cup (outer)	09067-09195[2]
1947-1941	exc. Rambler	
Seal (inner)	6356[2]
Cone/Cup (inner)	15118-15250X[2]
Cone/Cup (outer)	09078-09195[2]

REAR WHEEL

1957-1956	Rambler	
Seal	41787S[2]
Cone/Cup	15121T-15245[2]
Seal	340356[2]
Cone/Cup	15126-15245[2]
1957-1951	Hornet	
Cone/Cup	25877-25821[2]
1956-1955	Wasp	
Cone/Cup	14132T-14276[2]
1955	Rambler	
Seal	41787S[2]
Cone/Cup	15121T-15245[2]
1955-1954	Italia	
Cone/Cup	15125-15245[2]
1954-1953	Jet Series	
Cone/Cup	15125-15245[2]
1954-1953	Wasp, Super Wasp	
Cone/Cup	25877-25821[2]
1954-1950	Rambler	
Cone/Cup	25877-25821[2]
1952-1950	Commodore	
Cone/Cup	25877-25821[2]
1952-1950	Pacemaker Series	
Cone/Cup	25877-25821[2]
1950	DeLuxe Series	
Cone/Cup	25877-25821[2]
1949-1946	all	
Cone/Cup	25877-25820[2]

REAR AXLE

Differential

1957-1956	8-cylinder: Hornet, Rambler, Wasp	
Cone/Cup	25577-25523[2]
1957-1953	6-cylinder: Italia, Hornet, Jet, Rambler	
Cone/Cup	24780-24721[2]
1957-1948	Commodore, Hornet, Pacemaker, Rebel, Super, Wasp	
Cone/Cup	25580-25523[2]
1947-1946	all	
Cone/Cup	24780-24720[2]

CLUTCH

Release Bearing

1957-1955	6-cylinder	
Bearing Only	H1505C
Bearing Only	1505
1957-1955	8-cylinder	
Bearing Only	NH1752C
Bearing Only	1752
1954-1953	Jet, Jet Liner, Super Jet	
Bearing Only	H1505C
Bearing Only	1505

HUMBER - Hawk, Imperial, Sceptre, Snipe, Super Snipe

FRONT WHEEL

1977-1968	Sceptre	
Set (inner)	SET4
Set (outer)	SET2
1961-1960	Hawk	
Cone/Cup (inner)	LM67047-LM67010[2]
Set (outer)	SET2

FRONT WHEEL (cont.)

1961-1959	Snipe	
Cone/Cup (inner)	LM67047-LM67010[2]
Set (outer)	SET2

Bearings and Seals

Mfg./Year Model & Location Part No Mfg./Year Model & Location Part No

HUMBER - Hawk, Imperial, Sceptre, Snipe, Super Snipe (cont.)

FRONT WHEEL (cont.)

1959-1954 Hawk
 Cone/Cup (inner) 15112-15250[2]
 Cone/Cup (outer) 09067-09195[2]
1958-1954 Snipe
 Cone/Cup (inner) 14125A-14274[2]
 Cone/Cup (outer) 1380-1329[2]

REAR WHEEL

1967-1964 Imperial
 Bearing 307TB[2]
1967-1959 Snipe Series
 Bearing 307TB[2]
1967-1954 Hawk Series
 Bearing 307TB[2]

REAR AXLE

Differential

1967-1957 Hawk Series, Super Snipe
 Cone/Cup 368A-362A[2]

Pinion

1972-1967 Sceptre: some
 Cone/Cup (inner) M88048-M88011
 Cone/Cup (outer) M84548-M84510
1972-1963 Sceptre: some
 Cone/Cup (inner) M88048-M88011
 Cone/Cup (outer) 23101-23250

REAR AXLE (cont.)

Pinion (cont.)

1967-1964 Hawk
 Cone/Cup (inner) 3490-3420
 Cone/Cup (outer) 02475-02420
1967-1964 Imperial
 Cone/Cup (inner) 3490-3420
 Cone/Cup (outer) 02475-02420
1967-1959 Snipe Series
 Cone/Cup (inner) 3490-3420
 Cone/Cup (outer) 02475-02420

HYUNDAI - FRONT DRIVE - Excel, Scoupe, Sonata

FRONT WHEEL

1989 Sonata
 Seal (inner) 225082[2]
 Bearing (inner) 513036[2]
 Seal (outer) 225230[2]
1989-1986 Excel
 Seal 229522[2]
 Set SET41[2]
1987-1984 Pony
 Seal (inner) 1196[2]
 Set (inner) SET4
 Set (outer) SET1
1987-1984 Stellar
 Seal (inner) 1196[2]
 Set (inner) SET4
 Set (outer) SET1

REAR WHEEL

1989 Excel
 Seal (inner) 710404[2]
 Bearing Assy (inner) 516000[2]
 Bearing Assy (outer) 516000[2]
1989 Sonata
 Seal (inner) 494122[2]
 Set (inner) SET6
 Set (outer) SET2

REAR WHEEL (cont.)

1988-1986 Excel
 Seal (inner) 1196[2]
 Set (inner) SET4
 Set (outer) SET1
1987-1984 Pony
 Seal 1955[2]
 Bearing 514004[2]
1987-1984 Stellar: Spicer KSC axle
 Seal 2146[2]
 Set SET9
1987-1984 Stellar: MIP axle
 Seal 1955[2]
 Bearing 514004[2]

CLUTCH

Pilot Bearing

1987-1984 4-cylinder
 Bearing 102CC

CLUTCH - 4 CYLINDER

Release Bearing

1989-1986 exc. Tiburon
 Bearing Assy 614126

HYUNDAI - FRONT DRIVE - Excel, Scoupe, Sonata (cont.)

3-SPEED AUTOMATIC TRANSAXLE

Torque Converter

1989-1986 KM170-1, KM171-1, KM171-5
 Seal 320583
 Kwik Slv (Opt Rpr)KWK99157

Transfer Shaft

1989-1986 KM170-1, KM171-1, KM171-5
 Bearing Assy (inner) 30206M
 Bearing Assy (outer) 30304

Transfer Gear

1989-1986 KM170-1, KM171-1, KM171-5
 Bearing (inner) 207
 Bearing (outer) 306L

Transfer Idler

1989-1986 KM170-1, KM171-1, KM171-5
 Bearing Assy 30206M

Output Shaft

1989-1986 KM170-1, KM171-1, KM171-5
 Seal 223543[2]
 Kwik Slv (Opt Rpr)KWK99139[2]

Differential

1989-1986 KM170-1, KM171-1, KM171-5
 Bearing 207[2]

4-SPEED AUTOMATIC TRANSAXLE

Differential

1989 F4A21-2, F4A22-2, F4A33-1
 Bearing 207[2]

4-SPEED MANUAL TRANSAXLE

Differential

1989 F4M21-1
 Bearing 207[2]
1989-1987 KM200-0
 Bearing Assy 30207M[2]
1986 KM161-0
 Bearing 207[2]

Input Shaft

1989-1987 F4M21-1, KM200-0
 Seal Viton 712007
 Kwik Slv (Opt Rpr)KWK99098
1986 KM161-0
 Seal Viton 712007
 Bearing 304WB
 Kwik Slv (Opt Rpr)KWK99098

Intermediate Shaft

1986 KM161-0
 Bearing 32004WB

4-SPEED MANUAL TRANSAXLE

Countershaft

1989-1987 KM200-0
 Bearing (front) RW122
 Bearing (rear) 108A

Mainshaft

1989-1987 KM200-0
 Bearing (rear) 108A

Output Shaft

1989-1987 F4M21-1, KM200-0
 Seal 223543[2]
 Bearing Assy 30206M[2]
 Kwik Slv (Opt Rpr)KWK99139[2]
1986 KM161-0
 Seal 223543[2]
 Bearing 32004WB[2]
 Kwik Slv (Opt Rpr)KWK99139[2]

Selector Shaft Seal/Man. Shaft

1989-1986
 Seal 710222

5-SPEED MANUAL TRANSAXLE

Differential

1989-1987 F5M21-1, KM201-0, KM210-0
 Bearing 207[2]

Input Shaft

1989 KM210-0
 Seal Viton (front) 712007
 Kwik Slv (Opt Rpr)KWK99098
 Bearing (center) 304WB
 Bearing (rear) 306F
1989-1987 KM201-0
 Seal Viton 712007
 Bearing 304WB
 Kwik Slv (Opt Rpr)KWK99098

Output Shaft

1989-1987 F5M21-1, F5M22-2, KM201-0,
 KM210-0
 Seal 223543[2]
 Bearing Assy 30206M[2]
 Kwik Slv (Opt Rpr)KWK99139[2]

Selector Shaft Seal/Man. Shaft

1989-1987
 Seal 710222

ALTERNATOR

1988-1986 Mitsubishi 50 & 55 amp
 Bearing (drive end)203FF

Bearings and Seals

Mfg./Year Model & Location Part No Mfg./Year Model & Location Part No

HYUNDAI - FRONT DRIVE - Excel, Scoupe, Sonata (cont.)

OIL PUMP

4 Cylinder

1989 1997cc/2.0L (DOHC),
2351cc/2.4L, 2351cc/2.4L
(DOHC)
Seal 222025
Kwik Slv (Opt Rpr) KWK99078

CAMSHAFT SEAL

4 Cylinder

1989-1986 1468cc/1.5L, 1495cc/1.5L,
2351cc/2.4L
Seal 3771
Kwik Slv (Opt Rpr) KWK99139

CRANKSHAFT REAR SEAL

4 Cylinder

1989 1595cc/1.6L, 1997cc/2.0L,
2351cc/2.4L
Seal Viton 228005
Kwik Slv (Opt Rpr) KWK99315
1989-1986 1468cc/1.5L
Seal 227235

TIMING COVER

4 Cylinder

1989 1595cc/1.6L, 1997cc/2.0L,
2351cc/2.4L
Seal 224460
1989-1986 1468cc/1.5L
Seal 223018
Kwik Slv (Opt Rpr) KWK99114

INTERNATIONAL TRUCK - SUV - Scout, Scout 80, Scout 800, Scout II, Travelall

FRONT WHEEL

2WD

1981-1973
Seal (inner) 442874[2]
Set (inner) SET47
Set (outer) SET45
1972
Seal (inner) 442874[2]
Set SET45[2]
1971-1961
Seal (inner) 442874[2]
Cone/Cup (inner) 15123-15245[2]
Cone/Cup (outer) 09067-09195[2]

4WD

1981-1973
Seal (inner) 442874[2]
Set (inner) SET47
Set (outer) SET45
1972-1963
Seal (inner) 42101S[2]
Set SET45[2]
1962-1961
Seal (inner) 40566S[2]
Cone/Cup 18590-18520[2]

REAR WHEEL

1981-1972 RA-18, RA28 axles
Seal (inner) 481837[2]
Set (inner) SET10
Seal (outer) 9912S[2]
1971-1961 RA-9, RA-23 axles
Seal (inner) 40185[2]
Cone/Cup (inner) 3382T-3320[2]
Seal (outer) 451948[2]

4WD FRONT AXLE

Differential Rebuild Kit

1981-1973 Dana/Spicer 44-1F axle
Kit DRK339B

Differential

1980-1973 Dana/Spicer 44-1F axle
Cone/Cup 25590-25523[2]
1980-1961 Dana/Spicer 27F, 30AF axles
Cone/Cup LM501349-LM501311[2]

Pinion

1980-1973 Dana/Spicer 44-1F axle
Cone/Cup (inner) 31594-31520
Seal (outer) 5778
Cone/Cup (outer) 02872-02820
1980-1961 Dana/Spicer 27F, 30AF axles:
production from 4/1961 on
Cone/Cup (inner) HM88649-HM88610
Seal (outer) 5778
Cone/Cup (outer) 02872-02820

Spindle Kit

1981-1973 Dana/Spicer 30AF, 44-1F axles
Bearing & Seal Kit SBK1³³

Spindle

1981-1973 Dana/Spicer 30AF, 44-1F axles
Seal (inner) 722108[2]
Needle Bearing (inner) B2110[2]
Seal (outer) 722109[2]

316 [] Indicates Quantity Required; Set Components Listed Inside Rear Cover;

³³ Opt. Kit incl: Bearing B2110; Seals 722108 & 722109

INTERNATIONAL TRUCK - SUV - Scout, Scout 80, Scout 800, Scout II, Travelall (cont.)

4WD FRONT AXLE

Steering Knuckle

1972-1961 Dana/Spicer 27F
Cone/Cup 11590-11520[2]

REAR AXLE

Differential Rebuild Kit

1980-1967 Dana/Spicer 44 axle
Kit DRK339B
1968-1961 Dana/Spicer 27A axle
Kit DRK197A

Differential

1980-1967 Dana/Spicer 44 axle
Cone/Cup 25590-25523[2]
1968-1961 Dana/Spicer 27A axle
Cone/Cup LM501349-LM501311[2]
1966-1962 Dana/Spicer 44 axle
Cone/Cup 25577-25523[2]

Pinion

1980-1962 Dana/Spicer 44 axle
Cone/Cup (inner) 31594-31520
Seal (outer) 5778
Cone/Cup (outer) 02872-02820
1968-1961 Dana/Spicer 27A axle
Cone/Cup (inner) HM88649-HM88610
Seal (outer) 5778
Cone/Cup (outer) 02872-02820

TRANSFER CASE REBUILD KIT

1980 TC146: Dana/Spicer 300 axle
Kit TRK182
1979-1961 TC145: Dana/Spicer 20 axle
Kit TRK166A
1972-1961 TC144: Dana/Spicer 18 axle
Kit TRK161

CLUTCH

Pilot Bearing

1981-1972 Scout II: 8-cylinder
Bearing 8505
1981-1961 exc. 8-cylinder Scout II
Bearing 7109

Release Bearing

1981-1972 Scout II
Bearing Only IB2005C
1971-1961 all
Bearing Only IA2005C

ALTERNATOR

1980-1964 Delco-Remy 32, 37, 61 amp
Bearing (drive end) 203S
Bearing (rear end) MNJ471S

GENERATOR

1971-1964 SA & SM 25 amp
Bearing (drive end) 203AB
Bearing (rear end) 8503
1971-1961 Standard
Bearing (drive end) 203AB
Bearing (rear end) 203F
1971-1961 Heavy Duty
Bearing (drive end) 8605

DRIVESHAFT SUPPORT

1981-1966 Spicer 1280-1310: 1.1811"
bearing ID
Bearing 206FF
Hanger Bearing Assy HB206FF
1981-1966 Spicer 1280-1410: 1.3780"
bearing ID
Bearing 88107
Hanger Bearing Assy HB88107A
1977-1962 Cleveland 055: 1.5000" bearing
ID
Hanger Bearing Assy HB2
1977-1962 Cleveland R55: 1.3750" bearing
ID
Hanger Bearing Assy HB1
1977-1962 Spicer: 1.5748" bearing ID
Hanger Bearing Assy HB88508
1977-1962 Spicer: 1.7717" bearing ID
Hanger Bearing Assy HB88509
1977-1962 Spicer: 1.9685" bearing ID
Hanger Bearing Assy HB88510
1977-1962 Spicer: 2.3622" bearing ID
Hanger Bearing Assy HB88512AHD

Bearings and Seals

Mfg./Year Model & Location Part No Mfg./Year Model & Location Part No

INTERNATIONAL TRUCK - 1/2, 3/4, 1, 1-1/2, 2 TON - All Models - by axle designation

FRONT WHEEL

2WD

1981-1979	FA-64	
	Cone/Cup (inner)	566-563[2]
	Cone/Cup (outer)	33269-33462[2]
1981-1979	FA-78	
	Cone/Cup (inner)	566-563[2]
	Cone/Cup (outer)	33269-33462[2]
1981-1979	FA-81	
	Cone/Cup (inner)	566-563[2]
	Cone/Cup (outer)	33269-33462[2]
1981-1979	FA-100	
	Cone/Cup (inner)	39581-39520[2]
	Cone/Cup (outer)	3585-3525[2]
1981-1979	FA-101	
	Cone/Cup (inner)	JM207049A-JM207010[2]
	Cone/Cup (outer)	25877-25820[2]
1981-1979	FA-102	
	Cone/Cup (inner)	39581-39520[2]
	Cone/Cup (outer)	3585-3525[2]
1981-1979	FA-103	
	Cone/Cup (inner)	JM207049A-JM207010[2]
	Cone/Cup (outer)	25877-25820[2]
1981-1979	FA-105	
	Cone/Cup (inner)	39581-39520[2]
	Cone/Cup (outer)	3585-3525[2]
1981-1979	FA-109	
	Cone/Cup (inner)	641-632[2]
	Cone/Cup (outer)	3979-3920[2]
1981-1979	FA-110	
	Cone/Cup (inner)	39581-39520[2]
	Cone/Cup (outer)	3585-3525[2]
1981-1979	FA-118	
	Cone/Cup (inner)	641-632[2]
	Cone/Cup (outer)	3979-3920[2]
1981-1979	FA-208	
	Cone/Cup (inner)	39581-39520[2]
	Cone/Cup (outer)	3585-3525[2]
1981-1979	FA-209	
	Cone/Cup (inner)	39581-39520[2]
	Cone/Cup (outer)	3585-3525[2]
1981-1979	FA-309	
	Cone/Cup (inner)	HM212049-HM212011[2]
	Cone/Cup (outer)	28682-28622[2]
1981-1979	FA-329	
	Cone/Cup (inner)	HM212049-HM212011[2]
	Cone/Cup (outer)	28682-28622[2]
1981-1978	Coleman #9 axle	
	Cone/Cup	36691-36620[2]
1981-1976	FA-68	
	Cone/Cup (inner)	3578-3525[2]
	Cone/Cup (outer)	2689-2620[2]
1981-1976	FA-69	
	Seal (inner)	455005[2]
	Cone/Cup (inner)	3778-3720[2]
	Cone/Cup (outer)	2689-2620[2]
1981-1976	FA-70	
	Cone/Cup (inner)	3578-3525[2]
	Cone/Cup (outer)	2689-2620[2]

FRONT WHEEL (cont.)

2WD (cont.)

1981-1976	FA-71	
	Cone/Cup (inner)	JM205149A-JM205110[2]
	Cone/Cup (outer)	25877-25820[2]
1981-1976	FA-72	
	Cone/Cup (inner)	3578-3525[2]
	Cone/Cup (outer)	2689-2620[2]
1981-1976	FA-73	
	Cone/Cup (inner)	JM205149A-JM205110[2]
	Cone/Cup (outer)	25877-25820[2]
1981-1976	FA-74	
	Cone/Cup (inner)	JM205149A-JM205110[2]
	Cone/Cup (outer)	25877-25820[2]
1981-1972	FA-48: 1600 Series	
	Seal (inner)	S5MR71[2]
	Cone/Cup (inner)	26884-26823[2]
	Cone/Cup (outer)	1779-1729X[2]
1981-1972	FA-52	
	Seal (inner)	455009[2]
	Cone/Cup (inner)	28682-28622[2]
	Cone/Cup (outer)	LM104949-JLM104910[2]
1981-1972	FA-53	
	Seal (inner)	455009[2]
	Cone/Cup (inner)	28682-28622[2]
	Cone/Cup (outer)	LM104949-JLM104910[2]
1981-1963	FA-54: Dana 70 axle	
	Seal (inner)	51348[2]
	Cone/Cup (inner)	459-453X[2]
	Cone/Cup (outer)	3780-3720[2]
1981-1962	FA-89	
	Seal (inner)	S5MR1009[2]
	Cone/Cup (inner)	33895-33821[2]
	Cone/Cup (outer)	3196-3120[2]
1981-1962	FA-91	
	Seal (inner)	S5MR1009[2]
	Cone/Cup (inner)	33895-33821[2]
	Cone/Cup (outer)	3196-3120[2]
1981-1962	FA-98	
	Seal (inner)	S5MR1009[2]
	Cone/Cup (inner)	33895-33821[2]
	Cone/Cup (outer)	3196-3120[2]
1981-1962	FA-99	
	Seal (inner)	S5MR1009[2]
	Cone/Cup (inner)	33895-33821[2]
	Cone/Cup (outer)	3196-3120[2]
1975-1974	FA-5	
	Seal (inner)	40389S[2]
	Set (inner)	SET17
	Set (outer)	SET16
1975-1973	FA-46	
	Seal (inner)	442380[2]
	Set	SET45[2]
1975-1972	FA-10	
	Seal (inner)	7600S[2]
	Cone/Cup (inner)	26884-26823[2]
	Cone/Cup (outer)	15100-15245[2]
1975-1972	FA-15	
	Seal (inner)	40316S[2]
	Cone/Cup	18690-18620[2]

INTERNATIONAL TRUCK - 1/2, 3/4, 1, 1-1/2, 2 TON - All Models - by axle designation (cont.)

FRONT WHEEL (cont.)

2WD (cont.)

1975-1972	FA-18	
Seal (inner)	40316S[2]
Cone/Cup	18690-18620[2]
1975-1972	FA-25	
Seal (inner)	40316S[2]
Cone/Cup	18690-18620[2]
1975-1970	FA-45	
Seal (inner)	40316S[2]
Cone/Cup	18690-18620[2]
1975-1969	FA-12: 1.686" OD knuckle	
Seal (inner)	7600S[2]
Cone/Cup (inner)	26884-26823[2]
Cone/Cup (outer)	15100-15245[2]
1975-1969	FA-28: 1.686" OD knuckle	
Seal (inner)	40316S[2]
Cone/Cup (inner)	26884-26823[2]
Cone/Cup (outer)	1779-1729X[2]
1975-1969	FA-48: 1.686" OD knuckle	
Seal (inner)	40316S[2]
Cone/Cup (inner)	26884-26823[2]
Cone/Cup (outer)	1779-1729X[2]
1975-1965	FA-49	
Cone/Cup (inner)	3578-3525[2]
Cone/Cup (outer)	2689-2620[2]
1975-1964	FA-16	
Seal (inner)	442380[2]
Set (inner)	SET37
Set (outer)	SET45
1975-1963	FA-8	
Seal (inner)	2207[2]
Set (inner)	SET5
Set (outer)	SET3
1975-1963	FA-9	
Seal (inner)	2207[2]
Set (inner)	SET5
Set (outer)	SET3
1975-1958	FA-1: 12" brakes	
Seal (inner)	7600S[2]
Set (inner)	SET5
Set (outer)	SET3
1974	FA-62	
Seal (inner)	2207[2]
Set (inner)	SET47
Set (outer)	SET45
1974	FA-63	
Seal (inner)	43290S[2]
Cone/Cup	18690-18620[2]
1973-1969	FA-1: 11" brakes: 1100 Series	
Seal (inner)	203006S[2]
Set (inner)	SET5
Set (outer)	SET3
1973-1969	FA-12: 1.562" OD knuckle	
Seal (inner)	40316S[2]
Cone/Cup (inner)	26881-26823[2]
Cone/Cup (outer)	15100-15245[2]

FRONT WHEEL (cont.)

2WD (cont.)

1973-1965	FA-48: 1.562" OD knuckle	
Seal (inner)	S5MR71[2]
Cone/Cup (inner)	26881-26823[2]
Cone/Cup (outer)	1779-1729X[2]
1973-1963	FA-28: 1.562" OD knuckle	
Seal (inner)	S5MR71[2]
Cone/Cup (inner)	26881-26823[2]
Cone/Cup (outer)	1779-1729X[2]
1972-1964	FA-17	
Seal (inner)	442380[2]
Set (inner)	SET37
Set (outer)	SET45
1972-1964	FA-46	
Seal (inner)	442380[2]
Set (inner)	SET37
Set (outer)	SET45
1971-1965	FA-1: 11" brakes exc. 1100 Series	
Seal (inner)	7600S[2]
Cone/Cup (inner)	14130-14274[2]
Cone/Cup (outer)	12580-12520[2]
1971-1963	FA-15	
Seal (inner)	40316S[2]
Cone/Cup	18685-18620[2]
1971-1963	FA-18	
Seal (inner)	40316S[2]
Cone/Cup	18685-18620[2]
1971-1963	FA-52	
Cone/Cup (inner)	459-453X[2]
Cone/Cup (outer)	3780-3720[2]
1971-1963	FA-53	
Cone/Cup (inner)	459-453X[2]
Cone/Cup (outer)	3780-3720[2]
1971-1950	FA-10	
Seal (inner)	7600S[2]
Cone/Cup (inner)	14130-14274[2]
Cone/Cup (outer)	12580-12520[2]
1969-1962	FA-57	
Cone/Cup	36690-36620[2]
1968-1962	FA-58	
Cone/Cup (inner)	469-453X[2]
Cone/Cup (outer)	3780-3720[2]
1962-1961	FA-9	
Seal (inner)	203006S[2]
Set (inner)	SET5
Set (outer)	SET3
1962-1961	130 Series	
Cone/Cup (inner)	469-453X[2]
Cone/Cup (outer)	3780-3720[2]
1962-1956	120 Series	
Seal (inner)	40316S[2]
Cone/Cup	18685-18620[2]
1962-1950	FA-30: 1.562" OD knuckle	
Seal (inner)	S5MR71[2]
Cone/Cup (inner)	26881-26823[2]
Cone/Cup (outer)	1779-1729X[2]

Bearings and Seals

Mfg./Year Model & Location Part No Mfg./Year Model & Location Part No

INTERNATIONAL TRUCK - 1/2, 3/4, 1, 1-1/2, 2 TON - All Models - by axle designation (cont.)

FRONT WHEEL (cont.)

2WD (cont.)

1961-1957	FA-56	
Cone/Cup (inner)	47490-47420[2]
Cone/Cup (outer)	395A-394A
1961-1954	FA-50	
Cone/Cup (inner)	33275-33472[2]
Cone/Cup (outer)	399A-394A

REAR WHEEL

1980-1979	RA-189 axle	
Seal (inner)	455958S[2]
Cone/Cup (inner)	47678-47620[2]
Cone/Cup (outer)	39585-39520[2]
1980-1976	RA-30 axle	
Seal (inner)	415437[2]
Cone/Cup (inner)	33281-33462[2]
Seal (outer)	5957S[2]
Cone/Cup (outer)	39585-39520[2]
1980-1976	RA-39 axle	
Seal (inner)	455958S[2]
Cone/Cup (inner)	47678-47620[2]
Cone/Cup (outer)	39585-39520[2]
1980-1976	RA-126 axle	
Seal (inner)	456648[2]
Cone/Cup (inner)	3984-3920[2]
Cone/Cup (outer)	29585-29520[2]
1980-1976	RA-187 axle	
Seal (inner)	415437[2]
Cone/Cup (inner)	33281-33462[2]
Cone/Cup (outer)	39585-39520[2]
1980-1957	RA-25 axle	
Seal (inner)	456648[2]
Cone/Cup (inner)	3984-3920[2]
Seal (outer)	5957S[2]
Cone/Cup (outer)	29585-29520[2]
1975	RA-84 axle	
Seal (inner)	481837[2]
Cyl. Bearing (inner)	RSN1584EV[2]
1975-1974	RA-83 axle	
Seal (inner)	481837[2]
Cyl. Bearing (inner)	RSN1584EV[2]
1975-1972	RA-18 axle	
Seal (inner)	481837[2]
Set (inner)	SET10
Seal (outer)	472747[2]
1975-1972	RA-28 axle	
Seal (inner)	481837[2]
Set (inner)	SET10
Seal (outer)	472747[2]
1975-1969	RA-15 axle	
Seal (inner)	416292[2]
Cone/Cup (inner)	LM104949-JLM104910[2]
1975-1969	RA-63 axle	
Seal (inner)	416292[2]
Cone/Cup (inner)	LM104949-JLM104910[2]
1975-1968	RA-53 axle	
Seal	481837[2]
Cyl. Bearing	RSN1584EV[2]

REAR WHEEL (cont.)

1975-1968	RA-54 axle	
Seal	481837[2]
Cyl. Bearing	RSN1584EV[2]
1975-1965	RA-30 axle	
Seal (inner)	455173[2]
Cone/Cup (inner)	33281-33462[2]
Seal (outer)	5957S[2]
Cone/Cup (outer)	39585-39520[2]
1975-1965	RA-39 axle	
Seal (inner)	455173[2]
Cone/Cup (inner)	33281-33462[2]
Seal (outer)	5957S[2]
Cone/Cup (outer)	39585-39520[2]
1975-1965	RA-44 axle	
Seal (inner)	455173[2]
Cone/Cup (inner)	33281-33462[2]
Seal (outer)	5957S[2]
Cone/Cup (outer)	39585-39520[2]
1975-1965	RA-127 axle	
Seal (inner)	455173[2]
Cone/Cup (inner)	33281-33462[2]
Seal (outer)	5957S[2]
Cone/Cup (outer)	39585-39520[2]
1975-1963	RA-184 axle	
Seal (inner)	456648[2]
Cone/Cup (inner)	3984-3920[2]
Seal (outer)	5957S[2]
Cone/Cup (outer)	29585-29520[2]
1975-1950	RA-10 axle	
Seal (inner)	455008[2]
Cone/Cup	25584-25521[2]
1975-1950	RA-11 axle	
Seal (inner)	455008[2]
Cone/Cup (inner)	28584-28521[2]
Cone/Cup (outer)	25584-25521[2]
1974-1969	RA-84 axle	
Seal (inner)	481837[2]
Set (inner)	SET7
Seal (outer)	472747[2]
1973-1969	RA-83 axle	
Seal (inner)	481837[2]
Set (inner)	SET7
Seal (outer)	472747[2]
1973-1965	RA-20 axle: 1400, 1500 Series	
Seal (inner)	456648[2]
Cone/Cup (inner)	3982-3920[2]
Seal (outer)	6090S[2]
1971-1969	RA-28 axle	
Seal (inner)	481837[2]
Set (inner)	SET7
Seal (outer)	472747[2]
1971-1965	RA-20 axle: 1200 Series	
Seal (inner)	456648[2]
Cone/Cup (inner)	395-394A[2]
1971-1964	RA-18 axle	
Seal (inner)	6426[2]
Set (inner)	SET7
Seal (outer)	472747[2]

INTERNATIONAL TRUCK - 1/2, 3/4, 1, 1-1/2, 2 TON - All Models - by axle designation (cont.)

REAR WHEEL (cont.)

1971-1963	RA-5 axle	
	Seal (inner)	472287[2]
	Cone/Cup (inner)	3382T-3320[2]
	Seal (outer)	451948[2]
1971-1963	RA-6 axle	
	Seal (inner)	472287[2]
	Cone/Cup (inner)	3382T-3320[2]
	Seal (outer)	451948[2]
1971-1961	RA-19 axle	
	Seal (inner)	40185[2]
	Cone/Cup (inner)	3382T-3320[2]
	Seal (outer)	451948[2]
1971-1961	RA-24 axle	
	Seal (inner)	40185[2]
	Cone/Cup (inner)	3382T-3320[2]
	Seal (outer)	451948[2]
1971-1950	RA-1 axle	
	Seal (inner)	40185[2]
	Cone/Cup (inner)	3382T-3320[2]
	Seal (outer)	451948[2]
1971-1950	RA-3 axle	
	Seal (inner)	40185[2]
	Cone/Cup (inner)	3382T-3320[2]
	Seal (outer)	451948[2]
1968-1965	RA-51 axle	
	Seal (inner)	450169[2]
1968-1964	RA-28 axle	
	Seal (inner)	6426[2]
	Set (inner)	SET7
1968-1958	RA-2 axle	
	Seal (inner)	40769S[2]
	Cone/Cup (inner)	14130-14276[2]
1968-1950	RA-15 axle	
	Seal (inner)	456648[2]
	Cone/Cup (inner)	395-394A[2]
	Seal (outer)	6090S[2]
1965-1961	RA-9 axle	
	Seal (inner)	40185[2]
	Cone/Cup (inner)	3382T-3320[2]
	Seal (outer)	451948[2]
1965-1961	RA-23 axle	
	Seal (inner)	40185[2]
	Cone/Cup (inner)	3382T-3320[2]
	Seal (outer)	451948[2]
1965-1958	RA-4 axle	
	Seal (inner)	40769S[2]
	Cone/Cup (inner)	14130-14276[2]
1965-1958	RA-12 axle	
	Seal (inner)	40769S[2]
	Cone/Cup (inner)	14130-14276[2]
1965-1958	RA-13 axle	
	Seal (inner)	40769S[2]
	Cone/Cup (inner)	14130-14276[2]
1965-1958	RA-21 axle	
	Seal (inner)	40769S[2]
	Cone/Cup (inner)	14130-14276[2]
1965-1956	RA-16 axle	
	Seal (inner)	455008[2]
	Cone/Cup	25584-25521[2]

REAR WHEEL (cont.)

1965-1956	RA-17 axle	
	Seal (inner)	455008[2]
	Cone/Cup	25584-25521[2]
1962-1957	RA-26 axle	
	Seal (inner)	456648[2]
	Cone/Cup (inner)	3984-3920[2]
	Seal (outer)	5957S[2]
	Cone/Cup (outer)	29585-29520[2]
1962-1957	RA-125 axle	
	Seal (inner)	456648[2]
	Cone/Cup (inner)	3984-3920[2]
	Seal (outer)	5957S[2]
	Cone/Cup (outer)	29585-29520[2]
1962-1950	RA-5 axle	
	Seal (inner)	450143[2]
	Cone/Cup (inner)	3382T-3320[2]
1962-1950	RA-6 axle	
	Seal (inner)	450143[2]
	Cone/Cup (inner)	3382T-3320[2]
1962-1950	RA-20 axle: 130 Series	
	Seal (inner)	456648[2]
	Cone/Cup (inner)	395-394A[2]
1962-1950	RA-20 axle: 150 Series	
	Seal (inner)	456648[2]
	Cone/Cup (inner)	3982-3920[2]
	Seal (outer)	6090S[2]

4WD FRONT AXLE

Differential Rebuild Kit

1975-1972	Dana/Spicer 44 axles	
	Kit	DRK339B

Differential

1975-1972	Dana/Spicer 44 axles	
	Cone/Cup	25590-25523[2]
1971-1953	Dana/Spicer 44 axles	
	Cone/Cup	25577-25523[2]

Pinion

1975-1953	Dana/Spicer 44 axles	
	Cone/Cup (inner)	31594-31520
	Seal (outer)	5778
	Cone/Cup (outer)	02872-02820

Spindle Kit

1975-1971	Dana/Spicer 44 axles	
	Bearing & Seal Kit	SBK1 ³³

Spindle

1975-1971	Dana/Spicer 44 axles	
	Seal (inner)	722108[2]
	Needle Bearing (inner)	B2110[2]
	Seal (outer)	722109[2]
1970-1953	Dana/Spicer 44 axles	
	Needle Bearing	B2110[2]

[] Indicates Quantity Required; Set Components Listed Inside Rear Cover;
³³ Opt. Kit incl: Bearing B2110; Seals 722108 & 722109

Bearings and Seals

Mfg./Year Model & Location Part No Mfg./Year Model & Location Part No

INTERNATIONAL TRUCK - 1/2, 3/4, 1, 1-1/2, 2 TON - All Models - by axle designation (cont.)

4WD FRONT AXLE

Steering Knuckle

1975-1953	Dana/Spicer 44-1FHD axle	
Seal	710304[2]
Cone/Cup	23100-23256[2]
1971-1953	Dana/Spicer 44 axles: exc. 44-1FHD	
Cone/Cup	11590-11520[2]

REAR AXLE

Differential Rebuild Kit

1983-1960	Eaton 16802 axle	
Kit	DRK23
1983-1960	Eaton 17500-1, 17800, 17810, 18812, 7810 axles	
Kit	DRK1
1981	Eaton 15201 axle	
Kit	DRK24
1978-1960	Eaton 1350, 13800, 13802 axles	
Kit	DRK24
1975-1968	Dana/Spicer 70 axles	
Kit	DRK332
1975-1967	Dana/Spicer 44 axles	
Kit	DRK339B
1975-1965	Dana/Spicer 60 axles	
Kit	DRK331

Differential

1989-1987	14038 axle	
Bearing Assy	32218M[2]
1983-1960	Eaton 16600, 16802 axles	
Cone/Cup (LH)	42381-42584
Cone/Cup (RH)	495A-493
1983-1960	Eaton 17500-1, 17800, 17810, 18812, 7810 axles	
Cone/Cup (LH)	56425-56650
Cone/Cup (RH)	497-493
1981	Eaton 15201 axle	
Cone/Cup (LH)	498-493
Cone/Cup (RH)	33275-33472
1978-1960	Eaton 1350, 13600, 13800, 13802 axles	
Cone/Cup (LH)	498-493
Cone/Cup (RH)	33275-33472
1975-1967	Dana/Spicer 44 axles	
Cone/Cup	25590-25523[2]
1975-1965	Dana/Spicer 60, 70 series axles	
Cone/Cup	387A-382S[2]
1973-1950	RA-10, RA-11, RA-15	
Cone/Cup	28584-28521[2]
1967	R1060	
Cone/Cup	28584-28521[2]
1966-1950	Dana/Spicer 44 axles	
Cone/Cup	25577-25523[2]
1961	RA-25, RA-26	
Cone/Cup	3984-3925[2]

REAR AXLE

Pinion

1989-1987	14021, 14022 axles	
Bearing Assy (inner)	30311
Bearing Assy (outer)	30309M
1989-1987	14038 axle	
Bearing Assy (inner)	30311
1983-1960	Eaton 16802 axle: 2.375" pinion shaft	
Cone/Cup	HM903249-HM903210[2]
Seal (outer)	712375
Cyl. Bearing (pilot)	MUS1307UM
1983-1960	Eaton 16802 axle: 2.625" pinion shaft	
Cone/Cup	HM903249-HM903210[2]
Seal (outer)	712625
Cyl. Bearing (pilot)	MUS1307UM
1983-1960	Eaton 17500-1, 17800, 17810, 18812, 7810 axles	
Cone/Cup	55200C-55437[2]
Seal (outer)	9773R
Cyl. Bearing (pilot)	MUS1307UM
1981	Eaton 15201 axle	
Cone/Cup	HM903249-HM903210[2]
Cyl. Bearing (pilot)	MU1305TDM
Seal Kit	722250S
Seal	470737N
1978-1960	Eaton 1350, 13800, 13802 axles	
Cone/Cup	HM903249-HM903210[2]
Seal (outer)	470737N
Cyl. Bearing (pilot)	MU1305TDM
1975-1968	Dana/Spicer 70 axle	
Cone/Cup (inner)	HM807040-HM807010
Seal (outer)	9316
Cone/Cup (outer)	HM88542-HM88510
1975-1965	Dana/Spicer 60 axle	
Cone/Cup (inner)	HM803146-HM803110
Seal (outer)	9316
Cone/Cup (outer)	HM88542-HM88510
1975-1950	Dana/Spicer 44 axles	
Cone/Cup (inner)	31594-31520
Seal (outer)	5778
Cone/Cup (outer)	02872-02820
1973-1960	Eaton 16600 axle: 2.375" pinion shaft	
Cone/Cup (inner)	65237-65500
Seal (outer)	450103
Cone/Cup (outer)	HM807040-HM807010
1973-1960	Eaton 16600 axle: 2.625" pinion shaft	
Cone/Cup (inner)	65237-65500
Seal (outer)	475003N
Cone/Cup (outer)	HM807040-HM807010
1973-1950	RA-10, RA-11, RA-15, RA-20	
Cone/Cup	27881-27820[2]
Seal (outer)	410085N
Cyl. Bearing (pilot)	MUB5204TM

INTERNATIONAL TRUCK - 1/2, 3/4, 1, 1-1/2, 2 TON - All Models - by axle designation (cont.)

REAR AXLE (cont.)

Pinion (cont.)

1971-1960	Eaton 13600 axle: 2.25" pinion shaft	
	Cone/Cup (inner)	5583-5535
	Seal (outer)	470737N
	Cone/Cup (outer)	49576-49520
1971-1960	Eaton 13600 axle: 2.375" pinion shaft	
	Cone/Cup (inner)	5583-5535
	Seal (outer)	450103
	Cone/Cup (outer)	49576-49520
1967	R1060	
	Cone/Cup	27881-27820[2]
	Seal (outer)	410085N
	Cyl. Bearing (pilot)	MUB5204TM
1961	RA-25, RA-26	
	Cone/Cup	55175C-55437[2]
	Cyl. Bearing (pilot)	MUB5206UM

TRANSFER CASE REBUILD KIT

1975-1969	TC142 (NPG205)	
	Kit	TCRK172
1972-1961	TC141 (NPG202)	
	Kit	TRK165

CLUTCH

Pilot Bearing

1977-1959	12" clutch: exc. V266, V304, BG248, BG265 engine	
	Bearing	7109
1977-1959	with 13015, 13034, 13035, 13036 trans	
	Bearing	8505
1977-1959	11" clutch: exc. 1600, 1700: 5-speed trans	
	Bearing	7109
1977-1959	11" clutch: 1600, 1700: 5-speed trans	
	Bearing	8505
1971-1966	Metro M1200, M1400, M1500: 13" clutch: BG-265 engine	
	Bearing	8505
1971-1946	13" clutch: exc. 1966-1971 Metro M1200, M1400, M1500	
	Bearing	7109

Release Bearing

1980-1972	1/2 thru 1 Ton: 5-speed	
	Bearing Only	I2005C
1980-1972	1/2 thru 1 Ton: 6-cylinder	
	Bearing Only	I1697C
1980-1972	1/2 thru 1 Ton: 8-cylinder: 3-speed & 4-speed	
	Bearing Assy	2005C
1971-1965	1500, 1500A: 5-speed	
	Bearing Only	I2005C

CLUTCH (cont.)

Release Bearing (cont.)

1971-1946	exc. 1965-1968: M1400, M1500 & 1965- 1971: 1500, 1500A	
	Bearing Assy	2005C
1968-1965	M1400, M1500: 4-speed: BG engine	
	Bearing Only	I2005C

ALTERNATOR

1980-1964	Delco-Remy 32, 37, 61 amp	
	Bearing (drive end)	203S
	Bearing (rear end)	MNJ471S

GENERATOR

1971-1964	SA & SM 25 amp	
	Bearing (drive end)	203AB
	Bearing (rear end)	8503
1971-1961	Standard	
	Bearing (drive end)	203AB
	Bearing (rear end)	203F
1971-1961	Heavy Duty	
	Bearing (drive end)	8605

DRIVESHAFT SUPPORT

1981-1966	Spicer 1280-1310: 1.1811" bearing ID	
	Bearing	206FF
	Hanger Bearing Assy	HB206FF
1981-1966	Spicer 1280-1410: 1.3780" bearing ID	
	Bearing	88107
	Hanger Bearing Assy	HB88107A
1977-1962	Cleveland 055: 1.5000" bearing ID	
	Hanger Bearing Assy	HB2
1977-1962	Cleveland R55: 1.3750" bearing ID	
	Hanger Bearing Assy	HB1
1977-1962	Spicer: 1.5748" bearing ID	
	Hanger Bearing Assy	HB88508
1977-1962	Spicer: 1.7717" bearing ID	
	Hanger Bearing Assy	HB88509
1977-1962	Spicer: 1.9685" bearing ID	
	Hanger Bearing Assy	HB88510
1977-1962	Spicer: 2.3622" bearing ID	
	Hanger Bearing Assy	HB88512AHD

Bearings and Seals

Mfg./Year Model & Location Part No Mfg./Year Model & Location Part No

ISUZU - FRONT DRIVE - I-Mark, Impulse, Impulse AWD, Stylus

FRONT WHEEL

1989-1986 I-Mark
 Seal 710098[2]
 Bearing Assy 517006[2]

REAR WHEEL

1989-1985 I-Mark
 Seal (inner) 1174S[2]
 Set (inner) SET4
 Set (outer) SET1
1989-1985 Impulse Turbo
 Seal 1012N[2]
 Bearing 511018[2]
1989-1983 Impulse: exc. turbo
 Bearing RW127R[2]

TRANSMISSION REBUILD KIT

1989-1985 MSG5G
 Kit TRKFI120

CLUTCH

Pilot Bearing

1989-1981 4-cylinder
 Bearing 203FF
1989 6-cylinder 2.8
 Bushing H/D PB652HD
1989 6-cylinder 3.1
 Bushing H/D PB652HD

Release Bearing

1989-1988 4-cylinder 1.9: 215mm clutch
 Bearing Only 01496
1989-1987 4-cylinder 2.6: 246mm clutch
 Bearing Only 613012
1989-1987 4-cylinder 3.9 diesel: 300mm
 clutch
 Bearing Only 613014
1989-1987 4-cylinder 3.9 turbodiesel:
 300mm clutch
 Bearing Only 613014
1989-1981 4-cylinder 2.3: 215mm clutch
 Bearing Only 01496
1989-1987 4-cylinder 1.5 turbo: 215mm
 clutch
 Bearing Assy 614108
1989-1987 4-cylinder 1.6: 215mm clutch
 Bearing Assy 614108
1989-1987 4-cylinder 1.6 DOHC: 215mm
 clutch
 Bearing Assy 614108
1989-1987 4-cylinder 1.6 DOHC turbo:
 215mm clutch
 Bearing Assy 614108
1989-1987 4-cylinder 1.8 DOHC: 215mm
 clutch
 Bearing Assy 614108
1989 6-cylinder 2.8: 235mm clutch
 Bearing Only 613012
1989-1985 4-cylinder 1.5: 184mm clutch
 Bearing Assy 614108

CLUTCH (cont.)

Release Bearing (cont.)

1989-1985 4-cylinder 2.0 turbo
 Bearing Assy 614078
1989-1985 4-cylinder 2.3: 225mm clutch
 Bearing Assy 614078
1987-1986 4-cylinder 2.2 turbodiesel
 Bearing Assy 614078
1987-1985 4-cylinder 3.9 diesel: 275mm
 clutch
 Bearing Assy 614076
1987-1985 4-cylinder 3.9 turbodiesel:
 275mm clutch
 Bearing Assy 614076
1987-1983 4-cylinder 1.9: 215mm clutch
 Bearing Assy 614078
1985-1981 4-cylinder 1.8: 200mm clutch
 Bearing Only 01496
1985-1981 4-cylinder 1.8 diesel: 200mm
 clutch
 Bearing Only 01496
1985-1981 4-cylinder 2.2 diesel
 Bearing Only 01496
1985-1981 4-cylinder 2.2 turbodiesel
 Bearing Only 01496

3-SPEED AUTOMATIC TRANSAXLE

Torque Converter

1989-1985 F3A
 Seal Viton 710078
 Kwik Slv (Opt Rpr) KWK99177

Output Shaft

1989-1985 Stylus, Imark (F3A)
 Seal 223542[2]
 Kwik Slv (Opt Rpr) KWK99139[2]

Differential

1989-1985 F3A
 Bearing Assy 32008XM[2]

5-SPEED MANUAL TRANSAXLE

Differential

1989-1985 MFD5M
 Bearing Assy 32008XM[2]

Input Shaft

1989-1985 MFD5M, MFD5T
 Seal 222835
 Kwik Slv (Opt Rpr) KWK99111
 Bearing Assy (front) 32206M
 Bearing Assy (rear) 30306M

ISUZU - FRONT DRIVE - I-Mark, Impulse, Impulse AWD, Stylus (cont.)

5-SPEED MANUAL TRANSAXLE

Output Shaft

1989-1985	MFD5M	
Set (LH)		SET5
Seal (RH)		223542
Bearing Assy (RH)		32206M
Kwik Slv (Opt Rpr)		KWK99139

Selector Shaft Seal/Man. Shaft

1989-1985	MFD5M, MFD5T	
Seal		3667

ALTERNATOR

1989-1988	Hitachi 60 amp	
Bearing (drive end)		303CC
Bearing (rear end)		201CC
1987-1981	Hitachi 60 amp	
Bearing (drive end)		203FF
Bearing (rear end)		201CC
1986-1981	Hitachi 40 amp	
Bearing (drive end)		203FF
Bearing (rear end)		201CC
1986-1981	Hitachi 50 amp	
Bearing (drive end)		303CC
Bearing (rear end)		202FF
1986-1981	Hitachi 55 amp	
Bearing (drive end)		203FF
Bearing (rear end)		201CC

OIL PUMP

4 Cylinder

1989-1985	1471cc/1.5L	
Seal		224020
Kwik Slv (Opt Rpr)		KWK99157

CAMSHAFT SEAL

4 Cylinder

1989	1588cc/1.6L DOHC	
Seal		710308[2]
Kwik Slv (Opt Rpr)		KWK99157[2]

CRANKSHAFT REAR SEAL

4 Cylinder

1989-1985	1471cc/1.5L, 1471cc/1.5L (Turbo), 1588cc/1.6L, 1588cc/1.6L (DOHC), 1808CC/ 1.8L (DOHC)	
Seal		228700

TIMING COVER

4 Cylinder

1989-1985	1471cc/1.5L, 1471cc/1.5L (Turbo), 1588cc/1.6L, 1588cc/1.6L (DOHC), 1808CC/ 1.8L (DOHC)	
Seal		223220
Kwik Slv (Opt Rpr)		KWK99128
1989-1981	1817cc/1.8L, 1994cc/2.0L	
Seal		224025
Kwik Slv (Opt Rpr)		KWK99157

ISUZU - REAR DRIVE - I-Mark, Impulse

FRONT WHEEL

1989-1983	Impulse	
Seal (inner)		239201[2]
Set (inner)		SET8
Set (outer)		SET1
1985-1981	I-Mark	
Seal (inner)		710309[2]
Set (inner)		SET4
Set (outer)		SET1

REAR WHEEL

1989-1985	Impulse Turbo	
Seal		1012N[2]
Bearing		511018[2]
1989-1985	Impulse: exc. turbo	
Bearing		RW127R[2]
1985-1981		
Bearing		RW127R[2]

REAR AXLE

Differential

1989-1985	Impulse Turbo	
Set		SET45[2]
1989-1985	Impulse exc. turbo	
Set		SET45[2]
1985-1981	I-Mark	
Cone/Cup		19150-19268[2]

Pinion

1989-1985	Impulse Turbo	
Bearing Assy (inner)		32307
Seal (outer)		474133
Bearing Assy (outer)		30306M
Kwik Slv (Opt Rpr)		KWK99157
1989-1985	Impulse exc. turbo	
Seal (outer)		225230
1985-1981	I-Mark	
Seal (outer)		225230

Bearings and Seals

Mfg./Year Model & Location Part No Mfg./Year Model & Location Part No

ISUZU - REAR DRIVE - I-Mark, Impulse (cont.)

TRANSMISSION REBUILD KIT

1985-1981 MSG4K
 Kit TRKFI220
 1985-1981 MSG5K
 Kit TRKFI110

3-SPEED AUTOMATIC TRANSMISSION

Torque Converter

1985-1981 Aisin 03-55, 03-56
 Seal 223830
 Kwik Slv (Opt Rpr) KWK99147

Rear Seal/Ext. Housing

1985-1981 Aisin 03-55, 03-56
 Seal 710319

4-SPEED AUTOMATIC TRANSMISSION

Torque Converter

1989-1983 Aisin 03-70, 03-72
 Seal 223830
 Kwik Slv (Opt Rpr) KWK99147

Rear Seal/Ext. Housing

1989-1983 Aisin 03-70, 03-72
 Seal 710319

CLUTCH - 4 CYLINDER

Pilot Bearing

1989-1981 1817cc/1.8L, 1949cc/1.9L,
 1994cc/ 2.0L, 2254cc/ 2.3L
 Bearing 203FF

Release Bearing

1985-1981 1817cc/1.8L
 Bearing Only 01496

4-SPEED MANUAL TRANSMISSION

Input Shaft

1985-1981 MSG4A, MSG4K
 Seal 1990
 Bearing 208LO
 Kwik Slv (Opt Rpr) KWK99106

Countershaft

1985-1981 MSG4K
 Bearing (rear) 204
 1985-1981 MSG4A
 Bearing (rear) 5205KLE

Rear Output Shaft

1985-1981 MSG4A, MSG4K
 Seal 1987S

5-SPEED MANUAL TRANSMISSION

Front Input Shaft

1989-1981 MSG5A, MSG5B, MSG5K,
 MSG5R
 Seal 1990
 Bearing 208LO
 Kwik Slv (Opt Rpr) KWK99106

Countershaft

1989-1981 MSG5A, MSG5B, MSG5K,
 MSG5R
 Bearing (rear) 204

Rear Countershaft

1989-1981 MSG5B, MSG5K, MSG5R
 Seal 1987S
 1987-1983 MSG5A
 Seal 1987S
 Bearing RW122

ALTERNATOR

1989-1988 Hitachi 60 amp
 Bearing (drive end) 303CC
 Bearing (rear end) 201CC
 1987-1981 Hitachi 60 amp
 Bearing (drive end) 203FF
 Bearing (rear end) 201CC
 1986-1981 Hitachi 40 amp
 Bearing (drive end) 203FF
 Bearing (rear end) 201CC
 1986-1981 Hitachi 50 amp
 Bearing (drive end) 303CC
 Bearing (rear end) 202FF
 1986-1981 Hitachi 55 amp
 Bearing (drive end) 203FF
 Bearing (rear end) 201CC

DRIVESHAFT SUPPORT

1985-1981 I-Mark
 Bearing 205FF

CAMSHAFT SEAL

4 Cylinder

1989-1985 1994cc/2.0L, 2254cc/2.3L
 Seal 223014
 Kwik Slv (Opt Rpr) KWK99114

CRANKSHAFT REAR SEAL

4 Cylinder

1989-1985 1994cc/2.0L, 2254cc/2.3L
 Seal 710060
 Kwik Slv (Opt Rpr) KWK99364
 1987-1981 1817cc/1.8L, 1949cc/1.9L
 Seal 228480
 Kwik Slv (Opt Rpr) KWK99328
 1985-1981 1817cc/1.8L (diesel)
 Seal 717005
 Kwik Slv (Opt Rpr) KWK99364

ISUZU - REAR DRIVE - I-Mark, Impulse (cont.)

TIMING COVER

4 Cylinder

1989-1981	1817cc/1.8L, 1994cc/2.0L, 2254CC/ 2.3L	
Seal		224025
Kwik Slv (Opt Rpr)		KWK99157
1987-1981	1817cc/1.9L, 1949cc/1.9L	
Seal Viton		225020
Kwik Slv (Opt Rpr)		KWK99196

ISUZU TRUCK - MINIVAN, PICKUP, SUV - Amigo, P'up, Pickup, Trooper, Trooper II

FRONT WHEEL

2WD

1989	Amigo 4x2	
Seal (inner)		710168[2]
Bearing Assy (inner)		32009XM[2]
Bearing Assy (outer)		32008XM[2]
1989-1988	Trooper 4x2	
Seal (inner)		1974[2]
Set (inner)		SET5
Set (outer)		SET3
1989-1988	Trooper 4x2	
Seal (inner)		1974[2]
Set (inner)		SET5
Set (outer)		SET3
1989-1988	Pup, Pickup 4x2	
Seal (inner)		1974[2]
Set (inner)		SET5
Set (outer)		SET3
1987-1981	Pup, Pickup 4x2	
Seal (inner)		1949[2]
Bearing Assy (inner)		32206M[2]
Bearing Assy (outer)		32304M[2]

4WD

1989-1988	Trooper 4x4	
Seal (inner)		710168[2]
Cone (inner)		32009XA[2]
Cone (outer)		A140[2]
1989	Amigo 4x4	
Seal (inner)		710168[2]
Cone (inner)		32009XA[2]
Cone (outer)		A140[2]
1989-1988	Pup, Pickup 4x4	
Seal (inner)		710168[2]
Cone (inner)		32009XA[2]
Cone (outer)		A140[2]
1987-1986	Trooper 4x4: production from 2/1986 on	
Seal (inner)		471950[2]
Bearing Assy (inner)		32008XM[2]
Bearing Assy (outer)		32007XM[2]
1987-1983	Pup, Pickup 4x4	
Seal (inner)		471950[2]
Bearing Assy (inner)		32008XM[2]
Bearing Assy (outer)		32007XM[2]

FRONT WHEEL (cont.)

4WD (cont.)

1986-1984	Trooper 4x4: production thru 1/1986	
Bearing Assy (inner)		32008XM[2]
Bearing Assy (outer)		32007XM[2]
1982	Pup, Pickup 4x4	
Bearing Assy (inner)		32008XM[2]
Bearing Assy (outer)		32007XM[2]
1981	Pup, Pickup 4x4	
Seal (inner)		1960[2]
Bearing Assy (inner)		32008XM[2]
Bearing Assy (outer)		32007XM[2]

REAR WHEEL

1989-1988	Pickup: 4-cylinder 2.3	
Seal (inner)		473812[2]
Bearing Assy (inner)		30208M[2]
Seal (outer)		473179[2]
1989-1988	Pickup: 4-cylinder 2.6	
Seal (inner)		225230[2]
Bearing (inner)		511016[2]
Seal (outer)		473179[2]
1989-1988	Amigo: 4-cylinder 2.6	
Seal (inner)		225230[2]
Bearing (inner)		511016[2]
Seal (outer)		473179[2]
1989-1988	Amigo: 4-cylinder 2.3	
Seal (inner)		473812[2]
Bearing Assy (inner)		30208M[2]
Seal (outer)		473179[2]
1989-1981	Pup	
Seal (inner)		473179[2]
Bearing Assy (inner)		30208M[2]
Seal (outer)		473812[2]
1988	Trooper, Trooper II from 7/87	
Seal		473179[2]
Bearing		511016[2]
1987-1984	Trooper, Trooper II to 6/87	
Seal (inner)		225230[2]
Seal (outer)		473179[2]
Bearing Assy		30208M[2]

Bearings and Seals

Mfg./Year Model & Location Part No Mfg./Year Model & Location Part No

ISUZU TRUCK - MINIVAN, PICKUP, SUV - Amigo, P'up, Pickup, Trooper, Trooper II (cont.)

4WD FRONT AXLE

Axle Shaft

1989-1988	Amigo, Pickup, Rodeo, Trooper, Trooper II	
	Seal (inner)	710169[2]
	Bearing (inner)	106FL[2]
	Seal (outer)	710170[2]
1987-1981	pickup, Trooper II	
	Seal (inner)	710169[2]
	Bearing (inner)	105FLI[2]
	Seal (outer)	710443[2]

Differential

1989-1988	10-bolt housing cover	
	Set	SET45
1989-1981	8-bolt housing cover	
	Set	SET5

Pinion

1989-1988	10-bolt housing cover	
	Bearing Assy (inner)	32307
	Seal (outer)	474133
	Bearing Assy (outer)	30306M
1987-1981	8-bolt housing cover	
	Cone/Cup (inner)	02475-02420
	Seal (outer)	471847N
	Bearing Assy (outer)	30305M

REAR AXLE

Differential

1989-1988	10-bolt housing cover: 2.6 engine	
	Bearing Assy	30210M[2]
1989-1988	10-bolt housing cover: 2.3 engine	
	Set	SET45
1989-1985	KS22, NPR (R040) axle	
	Cone/Cup	29590-29522[2]
1989-1981	8-bolt housing cover	
	Cone/Cup	19150-19268[2]
1987-1981	10-bolt housing cover	
	Set	SET45

Pinion

1988-1984	Trooper II	
	Bearing Assy (inner)	32307
	Seal (outer)	474133
	Bearing Assy (outer)	30306M
1987-1981	Pup	
	Bearing Assy (inner)	32307
	Seal (outer)	474133
	Bearing Assy (outer)	30306M

TRANSFER CASE

Input Shaft

1989-1988		
	Seal	710247
	Bearing	207
	Kwik Slv (Opt Rpr)	KWK99149

TRANSFER CASE (cont.)

Input Shaft (cont.)

1987-1981		
	Seal	1990
	Kwik Slv (Opt Rpr)	KWK99106

Front Output Shaft

1987-1981		
	Seal (front)	224045
	Bearing (front)	206WB
	Kwik Slv (Opt Rpr)	KWK99157
	Bearing (rear)	305L

Rear Output Shaft

1989-1988		
	Bearing	307TB
1987-1981		
	Seal	471689
	Bearing	307L

TRANSMISSION REBUILD KIT

1989	MSG5K	
	Kit	TRKFI110
1989-1987	MSG5F	
	Kit	TRKFI130

3-SPEED AUTOMATIC TRANSMISSION

Torque Converter

1987-1983	Aisin 03-55, 03-56	
	Seal	223830
	Kwik Slv (Opt Rpr)	KWK99147
1982-1981	THM2004R	
	Seal	3227
	Kwik Slv (Opt Rpr)	KWK99174

Rear Seal/Ext. Housing

1987-1983	Aisin 03-55, 03-56	
	Seal	710319
1982-1981	THM2004R	
	Seal	9613S
	Seal Kit Opt.	5200 ⁶⁴

Selector Shaft Seal/Man. Shaft

1982-1981	THM2004R	
	Seal	8792S

4-SPEED AUTOMATIC TRANSMISSION

Torque Converter

1989-1988	Aisin 03-75, 03-80	
	Seal	223830
	Kwik Slv (Opt Rpr)	KWK99147

ISUZU TRUCK - MINIVAN, PICKUP, SUV - Amigo, P'up, Pickup, Trooper, Trooper II (cont.)

4-SPEED AUTOMATIC TRANSMISSION

Rear Seal/Ext. Housing

1989-1988	Aisin 03-75, 03-80	
Seal	710319

CLUTCH

Pilot Bearing

1989-1981	4-cylinder	
Bearing	203FF
1989	6-cylinder 2.8	
Bushing H/D	PB652HD
1989	6-cylinder 3.1	
Bushing H/D	PB652HD

Release Bearing

1989-1988	4-cylinder 1.9: 215mm clutch	
Bearing Only	01496
1989-1987	4-cylinder 2.6: 246mm clutch	
Bearing Only	613012
1989-1987	4-cylinder 3.9 diesel: 300mm clutch	
Bearing Only	613014
1989-1987	4-cylinder 3.9 turbodiesel: 300mm clutch	
Bearing Only	613014
1989-1981	4-cylinder 2.3: 215mm clutch	
Bearing Only	01496
1989-1987	4-cylinder 1.5 turbo: 215mm clutch	
Bearing Assy	614108
1989-1987	4-cylinder 1.6: 215mm clutch	
Bearing Assy	614108
1989-1987	4-cylinder 1.6 DOHC: 215mm clutch	
Bearing Assy	614108
1989-1987	4-cylinder 1.6 DOHC turbo: 215mm clutch	
Bearing Assy	614108
1989-1987	4-cylinder 1.8 DOHC: 215mm clutch	
Bearing Assy	614108
1989	6-cylinder 2.8: 235mm clutch	
Bearing Only	613012
1989-1985	4-cylinder 1.5: 184mm clutch	
Bearing Assy	614108
1989-1985	4-cylinder 2.0 turbo	
Bearing Assy	614078
1989-1985	4-cylinder 2.3: 225mm clutch	
Bearing Assy	614078
1987-1986	4-cylinder 2.2 turbodiesel	
Bearing Assy	614078
1987-1985	4-cylinder 3.9 diesel: 275mm clutch	
Bearing Assy	614076
1987-1985	4-cylinder 3.9 turbodiesel: 275mm clutch	
Bearing Assy	614076
1987-1983	4-cylinder 1.9: 215mm clutch	
Bearing Assy	614078

CLUTCH (cont.)

Release Bearing (cont.)

1985-1981	4-cylinder 1.8: 200mm clutch	
Bearing Only	01496
1985-1981	4-cylinder 1.8 diesel: 200mm clutch	
Bearing Only	01496
1985-1981	4-cylinder 2.2 diesel	
Bearing Only	01496
1985-1981	4-cylinder 2.2 turbodiesel	
Bearing Only	01496

5-SPEED MANUAL TRANSMISSION

Front Input Shaft

1989-1981	MSG5A, MAG5C, MSG5T	
Seal	1990
Bearing	208LO
Kwik Slv (Opt Rpr)	KWK99106
1989-1987	MSA5D, MSG5D, MSG5R	
Seal	1990
Kwik Slv (Opt Rpr)	KWK99106
1989	MUA5, MUA5T	
Seal	710157
Kwik Slv (Opt Rpr)	KWK99103
1988	MSG5E, MSG5D	
Seal	710157
Bearing	208LO
Kwik Slv (Opt Rpr)	KWK99103
1986	MSG5D, MSG5R	
Seal	1990
Kwik Slv (Opt Rpr)	KWK99106

Countershaft

1987-1981	MSG5A, MSG5T	
Bearing (rear)	204

Rear Output Shaft

1989	MUA5T, MUA5CT	
Seal	224250
1989-1988	MUA5, MSG5C, MUA5C, MSG5F	
Seal	710247
1989-1987	MSA5D	
Bearing	308FFL
1987-1986	MSG5D, MSG5R, MSG5T	
Seal	1987S
1987-1983	MSG5A	
Seal	1987S
1985-1981	MSG5T	
Seal	1987S

ALTERNATOR

1989-1988	Hitachi 60 amp	
Bearing (drive end)	303CC
Bearing (rear end)	201CC
1987-1981	Hitachi 60 amp	
Bearing (drive end)	203FF
Bearing (rear end)	201CC

Bearings and Seals

Mfg./Year Model & Location Part No Mfg./Year Model & Location Part No

ISUZU TRUCK - MINIVAN, PICKUP, SUV - Amigo, P'up, Pickup, Trooper, Trooper II (cont.)

ALTERNATOR (cont.)

1986-1981	Hitachi 40 amp	
	Bearing (drive end)	203FF
	Bearing (rear end)	201CC
1986-1981	Hitachi 50 amp	
	Bearing (drive end)	303CC
	Bearing (rear end)	202FF
1986-1981	Hitachi 55 amp	
	Bearing (drive end)	203FF
	Bearing (rear end)	201CC

DRIVESHAFT SUPPORT

1987-1984	Trooper II	
	Hanger Bearing Assy	HB21
1987-1981	Pickup (4WD)	
	Hanger Bearing Assy	HB21
1987-1981	Pickup (2WD)	
	Hanger Bearing Assy	HB20

CAMSHAFT SEAL

4 Cylinder

1989-1986	2254cc/2.3L, 2559cc/2.6L	
	Seal	223014
	Kwik Slv (Opt Rpr)	KWK99114
1987-1981	2238cc/2.2L diesel	
	Seal	224205
	Kwik Slv (Opt Rpr)	KWK99166

CRANKSHAFT REAR SEAL

4 Cylinder

1989-1985	3856cc/3.9L Diesel, 3856cc/3.9L Turbo-Diesel	
	Seal	710391
	Kwik Slv (Opt Rpr)	KWK99393
1989-1986	2254cc/2.3L, 2559cc/2.6L	
	Seal	710060
	Kwik Slv (Opt Rpr)	KWK99364
1989-1985	1994cc/2.0L, 2254cc/2.3L	
	Seal	710060
	Kwik Slv (Opt Rpr)	KWK99364

CRANKSHAFT REAR SEAL (cont.)

4 Cylinder (cont.)

1987-1981	1817cc/1.9L, 1949cc/1.9L, 2238cc/2.2L	
	Seal	228480
	Kwik Slv (Opt Rpr)	KWK99328
1985-1981	1817cc/1.8L	
	Seal	717005
	Kwik Slv (Opt Rpr)	KWK99364

6 Cylinder

1989	173/2.8L, 189/3.1L	
	Seal	4307V
	Seal PTFE H/D Opt	5273
	Kwik Slv (Opt Rpr)	KWK99298

TIMING COVER

4 Cylinder

1989-1986	2254cc/2.3L, 2559cc/2.6L	
	Seal	224025
	Kwik Slv (Opt Rpr)	KWK99157
1987-1981	1817cc/1.9L, 1949cc/1.9L	
	Seal Viton	225020
	Kwik Slv (Opt Rpr)	KWK99196
1987-1981	2238cc/2.2L diesel	
	Seal	712005
	Kwik Slv (Opt Rpr)	KWK99254

6 Cylinder

1989	173/2.8L, 189/3.1L	
	Seal	9845
	Kwik Slv (Opt Rpr)	KWK99176

ISUZU TRUCK MEDIUM DUTY - EVR, FRR, FSR, FTR, FVR, NRR

FRONT WHEEL

1989	FTR: air brakes	
	Seal (inner)	710084[2]
	Cone/Cup (inner)	H414245A-H414210[2]
	Bearing Assy (outer)	513047[2]
1989-1988	FRR	
	Seal (inner)	710087[2]
	Bearing Assy (inner)	513046[2]
	Bearing Assy (outer)	513045[2]
1989-1988	FSR	
	Seal (inner)	710087[2]
	Bearing Assy (inner)	513046[2]
	Bearing Assy (outer)	513045[2]

FRONT WHEEL (cont.)

1989-1987	FTR: air/hydraulic brakes	
	Seal (inner)	710088[2]
	Cone/Cup (inner)	HM212047-HM212011[2]
	Cone/Cup (outer)	4388-4335[2]
1989-1987	FVR	
	Seal (inner)	710084[2]
	Cone/Cup (inner)	H414245X-H414210[2]
	Bearing Assy (outer)	513047[2]
1989-1988	NRR	
	Seal (inner)	710087[2]
	Bearing Assy (inner)	32310[2]
	Bearing Assy (outer)	513045[2]

ISUZU TRUCK MEDIUM DUTY - EVR, FRR, FSR, FTR, FVR, NRR (cont.)

FRONT WHEEL (cont.)

1989-1987	EVR	
Seal (inner)	710084[2]
Cone/Cup (inner)	H414245X-H414210[2]
Bearing Assy (outer)	513047[2]

REAR WHEEL

1989-1987	FTR: Isuzu R094 axle	
Seal (inner)	710278[2]
Bearing Assy (inner)	32216[2]
Seal (outer)	710277[2]
Bearing Assy (outer)	32215[2]
1989-1988	NRR	
Seal (inner)	710085[2]
Bearing Assy (inner)	32215[2]
Seal (outer)	710086[2]
Bearing Assy (outer)	32213M[2]
1989-1987	EVR	
Seal (inner)	710089[2]
Bearing Assy (inner)	32219M[2]
Seal (outer)	710090[2]
Bearing Assy (outer)	32218M[2]
1989-1987	FVR	
Seal (inner)	710089[2]
Bearing Assy (inner)	32219M[2]
Seal (outer)	710090[2]
Bearing Assy (outer)	32218M[2]

REAR AXLE

Differential Rebuild Kit

1989-1987	Spicer M220T axle	
Kit	DRK214

TRANSMISSION REBUILD KIT

1989-1987	7/1987 Trooper, Rodeo, Amigo	
Kit	TRK1130

CLUTCH

Pilot Bearing

1989-1987	all	
Bearing	205FF
Bearing Opt: high temperature seals	205VV

Release Bearing

1989-1987	all	
Bearing Assy	614009

IVECO TRUCK - LIGHT Z100, Z110, 1014AS, 110, 120TA, 1211, 1212, 1214, 1214AS, 1216AS, 1314, 1314AS

FRONT WHEEL

1989-1982	all	
Seal (inner)	227540[2]
Bearing Assy (inner)	30309M[2]
Bearing Assy (outer)	30307M[2]

REAR WHEEL

1989	1014AS, 1211, 1213, 1214AS, 1216AS, 1314, 1314AS	
Bearing Assy (inner)	30214[2]
Bearing Assy (outer)	30214[2]
1989	Z100, Z110, 110, 120TA	
Bearing Assy (inner)	33113[2]
Bearing Assy (outer)	33113[2]
1989	1214: manual trans	
Bearing Assy (inner)	30214[2]
Bearing Assy (outer)	30214[2]

REAR WHEEL (cont.)

1989	1214: automatic trans	
Bearing Assy (inner)	33113[2]
Bearing Assy (outer)	33113[2]
1988-1985	production from chassis #3677 on	
Bearing Assy (inner)	33113[2]
Bearing Assy (outer)	33113[2]
1984-1982	production thru chassis #3676	
Bearing Assy (inner)	32014XM[2]
Bearing Assy (outer)	32014XM[2]

Bearings and Seals

Mfg./Year	Model & Location	Part No	Mfg./Year	Model & Location	Part No
IVECO TRUCK - MEDIUM 200, 300, 400, 1500, 1800					

FRONT WHEEL

1989-1983	all	
Seal (inner)	227540[2]
Bearing Assy (inner)	30309M[2]
Seal (outer)	717006[2]
Bearing Assy (outer)	30307M[2]

REAR WHEEL

1989-1986	220, 220T, Z220, Z220T, 230T, Z230, Z230T, 1514, 1514AS, 1814, 1816	
Bearing Assy	33113[2]
1989-1985	Z340T, 335T, 340T, 435T, 450T	
Cone/Cup (inner)	567-563[2]
Cone/Cup (outer)	3984-3920[2]
1987-1985	Z450T	
Bearing Assy (inner)	32217M[2]
Cone/Cup (outer)	JM714249-JM714210[2]

REAR WHEEL (cont.)

1985	Z220, Z220T, Z230T: from chassis #3677 on	
Bearing Assy	33113[2]
1984-1983	production thru chassis #3676	
Bearing Assy	32014XM[2]

JAGUAR

FRONT WHEEL

1989-1988	XJ6	
Set (inner)	SET17
Set (outer)	SET8
1989-1988	XJS	
Seal (inner)	473454[2]
Set (inner)	SET13
Set (outer)	SET12
1987-1977	XJ6	
Seal (inner)	473454[2]
Set (inner)	SET13
Set (outer)	SET12
1987-1977	XJS	
Seal (inner)	481195[2]
Set (inner)	SET17
Set (outer)	SET12
1979-1977	XJ12	
Set (inner)	SET12
Set (outer)	SET12
1976	XJS	
Seal (inner)	239127[2]
Set (inner)	SET6
Set (outer)	SET2
1976-1974	XJ12	
Seal (inner)	239127[2]
Set (inner)	SET6
Set (outer)	SET2
1976-1968	XJ6	
Set (inner)	SET6
Set (outer)	SET2
1975-1961	E-Type	
Set (inner)	SET6
Set (outer)	SET2
1974-1961	XKE	
Seal (inner)	239127[2]
Set (inner)	SET6
Set (outer)	SET2
1970-1967	340	
Set (inner)	SET6
Set (outer)	SET2

FRONT WHEEL (cont.)

1970-1966	420	
Seal (inner)	239127[2]
Set (inner)	SET6
Set (outer)	SET2
1969-1967	240	
Set (inner)	SET6
Set (outer)	SET2
1968-1963	S-Type	
Set (inner)	SET6
Set (outer)	SET2
1968-1960	2.4	
Set (inner)	SET6
Set (outer)	SET2
1968-1960	3.4	
Seal (inner)	239127[2]
Set (inner)	SET6
Set (outer)	SET2
1968-1960	3.8	
Seal (inner)	239127[2]
Set (inner)	SET6
Set (outer)	SET2
1967-1960	Mark II	
Set (inner)	SET6
Set (outer)	SET2
1966-1962	Mark X	
Set (inner)	SET6
Set (outer)	SET2
1966-1960	Mark VII	
Cone/Cup (inner)	14138A-14276[2]
Cone/Cup (outer)	09067-09195[2]
1966-1960	Mark VIII	
Cone/Cup (inner)	14138A-14276[2]
Cone/Cup (outer)	09067-09195[2]
1966-1960	XK120	
Cone/Cup (inner)	14138A-14276[2]
Cone/Cup (outer)	09067-09195[2]

JAGUAR (cont.)

FRONT WHEEL (cont.)

1966-1960	XK140	
	Cone/Cup (inner)	14138A-14276[2]
	Cone/Cup (outer)	09067-09195[2]
1961-1959	Mark IX	
	Cone/Cup (inner)	14138A-14276[2]
	Cone/Cup (outer)	09067-09195[2]
1961-1958	XK150, S	
	Cone/Cup (inner)	14138A-14276[2]
	Cone/Cup (outer)	09067-09195[2]
1960	XKE	
	Set (inner)	SET6
	Set (outer)	SET2

REAR WHEEL

1989-1988	XJ12, XJS	
	Cone/Cup (inner)	18590-18520[2]
	Cone/Cup (outer)	18690-18620[2]
1989-1988	XJ6, Sovereign, Vanden Plas	
	Set (inner)	SET45
	Cone/Cup (outer)	LM503349A-LM503310[2]
1987-1963	XJ6, XJ12, XJS, Sovereign, Vanden Plas	
	Cone/Cup (inner)	18590-18520[2]
	Cone/Cup (outer)	18690-18620[2]
1975-1961	E-Type, XKE	
	Cone/Cup (inner)	18590-18520[2]
	Cone/Cup (outer)	18690-18620[2]
1970-1966	240, 340, 420	
	Cone/Cup (inner)	18590-18520[2]
	Cone/Cup (outer)	18690-18620[2]
1968-1964	3.4S, 3.8S	
	Cone/Cup (inner)	18590-18520[2]
	Cone/Cup (outer)	18690-18620[2]
1968-1963	S-Type: 3.4, 3.8	
	Cone/Cup (inner)	18590-18520[2]
	Cone/Cup (outer)	18690-18620[2]
1967-1960	Mark II Series	
	Cone/Cup	14130-14276[2]
1966-1961	Mark IX, Mark X	
	Cone/Cup (inner)	18590-18520[2]
	Cone/Cup (outer)	18690-18620[2]
1961-1960	XK150, S: ENV axle	
	Cone/Cup	25577-25522[2]
1961-1960	XK150, S: Salisbury axle	
	Cone/Cup	25877-25820[2]
1961-1959	E-Type	
	Cone/Cup	18590-18520[2]
1961-1959	Mark IX 3.8	
	Cone/Cup	25877-25821[2]

REAR AXLE

Axle Shaft

1989-1972	Salisbury axle	
	Set	SET17[2]

REAR AXLE

Differential

1989-1976	all	
	Cone/Cup	25577-25523[2]
1971-1967	XKE	
	Cone/Cup	25577-25523[2]
1970-1958	Mk. 9, Mk. 10, XKE, 420: with Salisbury IRS	
	Cone/Cup	25577-25523[2]
1970-1950	exc. Mk. 9, Mk. 10, XKE, 420	
	Cone/Cup	24780-24721[2]
1954-1950	ENV axle	
	Cone/Cup	28155-28300[2]

Pinion

1988-1976	XJS Series	
	Cone/Cup (inner)	M88043-M88010
	Cone/Cup (outer)	HM89446-HM89410
1988-1968	XJ6 Series	
	Cone/Cup (inner)	M88043-M88010
	Cone/Cup (outer)	HM89446-HM89410
1979-1974	XJ12	
	Cone/Cup (inner)	M88043-M88010
	Cone/Cup (outer)	HM89446-HM89410
1975-1970	E-Type: differential type 2	
	Cone/Cup (inner)	02872-02820
	Cone/Cup (outer)	31593-31520
1975-1970	E-Type: differential type 3	
	Cone/Cup (inner)	M88043-M88010
	Cone/Cup (outer)	HM89446-HM89410
1974-1961	XKE	
	Cone/Cup (inner)	M88043-M88010
	Cone/Cup (outer)	HM89446-HM89410
1972-1967	E-Type 2+2	
	Cone/Cup (outer)	HM89446-HM89410
1970-1966	240, 340, 420	
	Cone/Cup (inner)	02872-02820
	Cone/Cup (outer)	31593-31520
1969-1965	E-Type	
	Cone/Cup (inner)	02872-02820
	Cone/Cup (outer)	31593-31520
1968-1964	3.4S, 3.8S	
	Cone/Cup (inner)	02872-02820
	Cone/Cup (outer)	31593-31520
1967-1960	Mark II Series	
	Cone/Cup (inner)	02872-02820
	Cone/Cup (outer)	31593-31520
1966-1962	Mark X Series	
	Cone/Cup (inner)	02872-02820
	Cone/Cup (outer)	31593-31520
1966-1959	Mark IX Series	
	Cone/Cup (inner)	02872-02820
	Cone/Cup (outer)	31593-31520
1961-1960	XK150 Series	
	Cone/Cup (inner)	02872-02820
	Cone/Cup (outer)	31593-31520

Bearings and Seals

Mfg./Year Model & Location Part No Mfg./Year Model & Location Part No

JAGUAR (cont.)

3-SPEED AUTOMATIC TRANSMISSION

Torque Converter

1989-1977	GMC THM400	
Seal		6712NA
Kwik Slv (Opt Rpr)		KWK99187
1987-1980	Borg Warner T65, T66	
Seal		480479H
Kwik Slv (Opt Rpr)		KWK99168
1979-1965	Borg Warner T35, T65, T66	
Seal		480479H
Kwik Slv (Opt Rpr)		KWK99168
1977-1964	Borg Warner T8, T12	
Seal		6988H
Kwik Slv (Opt Rpr)		KWK99193

Rear Seal/Ext. Housing

1989-1980	GMC THM400	
Seal		9449
Seal Kit Opt.		5208 ⁶⁴
1979-1977	GMC THM400 (1.890" Shaft)	
Seal		9449
Seal Kit Opt.		5208 ⁶⁴
1977	GMC THM400 (1.687" Shaft)	
Seal		7038SA
1977-1964	Borg Warner T8, T12	
Seal		473234
1973-1965	Borg Warner T35	
Seal		1097N

Selector Shaft Seal/Man. Shaft

1989-1977	GMC THM400	
Seal		8792S
1977-1964	Borg Warner T8, T12	
Seal		7929S
1973-1965	Borg Warner T35	
Seal		311189

4-SPEED AUTOMATIC TRANSMISSION

Torque Converter

1989-1987	ZF 4HP-22, ZF 4HP-24	
Seal		224052

Rear Seal/Ext. Housing

1989-1987	ZF 4HP-22, ZF 4HP-24	
Seal		224045

5-SPEED MANUAL TRANSMISSION

Front Input Shaft

1987-1984	Rover CL	
Cone/Cup		LM48548-LM48514
1983-1980	Rover CL	
Cone/Cup		15123-15245
1979-1976	Rover CL	
Set		SET6

5-SPEED MANUAL TRANSMISSION

Countershaft

1987-1976	Rover CL	
Set		SET4

Rear Output Shaft

1987-1984	Rover CL	
Cone/Cup		19150-19268
1983-1976	Rover CL	
Set (inner)		SET1
Set (outer)		SET6

ALTERNATOR

1975-1973	Lucas 16ACR	
Bearing (drive end)		203AB

GENERATOR

1974-1955	Lucas 22 amp	
Bearing (drive end)		202AG
1971-1959	Lucas C40	
Bearing (drive end)		202AG
Bearing (rear end)		203AB
1969-1958	Lucas C42	
Bearing (drive end)		303BB
Bearing (rear end)		202SS
1959-1958	Lucas C42, C48	
Bearing (drive end)		303BB
Bearing (rear end)		202SS

TIMING COVER

6 Cylinder

1987-1980	4230cc/4.2L	
Seal		472492
Kwik Slv (Opt Rpr)		KWK99199

12 Cylinder

1989-1980	5343cc/5.3L, 5994cc/6.0L	
Seal		450867
Kwik Slv (Opt Rpr)		KWK99212

JEEP - SPORT UTILITY VEHICLES - Cherokee

FRONT WHEEL

2WD

1989	Cherokee, Grand Cherokee	
	Hub Assy	513084[2]
1988-1986	hub/rotor one unit	
	Seal (inner)	6815[2]
	Set (inner)	SET6
	Set (outer)	SET2
1987-1984	hub/rotor separate units	
	Seal (inner)	4122[2]
	Seal (middle)	4019N[2]
	Seal (outer)	3942[2]
	Cone/Cup	JLM603048F-JLM603013Z[2]

4WD

1989-1984	Cherokee	
	Seal (inner)	4122[2]
	Cone/Cup (inner)	JLM603048F-JLM603013Z[2]
	Seal (middle)	4019N[2]
	Seal (outer)	3942[2]
	Cone/Cup (outer)	JLM603048F-JLM603013Z[2]
	Hub Assy	513107[2]

REAR WHEEL

1989-1984	Cherokee: Dana/Spicer 35 axle	
	Seal (inner)	2146[2]
	Set (inner)	SET9
	Seal (outer)	9912S[2]
1989-1984	Cherokee: Dana/Spicer 44 axle	
	Seal (inner)	481837[2]
	Set (inner)	SET10
	Seal (outer)	9912S[2]

4WD FRONT AXLE

Differential Rebuild Kit

1989-1984	Dana/Spicer 30 axle	
	Kit	DRK334
1989-1984	Dana/Spicer 44 axles	
	Kit	DRK339B

Differential

1989-1984	Dana/Spicer 30, 35 axle	
	Cone/Cup	LM501349-LM501314[2]
1989-1984	Dana/Spicer 44 axles	
	Cone/Cup	25590-25523[2]

Pinion

1989-1984	Dana/Spicer 30 axle	
	Cone/Cup (inner)	HM88649-HM88610
	Seal (outer)	5778
	Cone/Cup (outer)	02872-02820
1989-1984	Dana/Spicer 44 axles	
	Cone/Cup (inner)	31594-31520
	Seal (outer)	5778
	Cone/Cup (outer)	02872-02820

4WD FRONT AXLE

Spindle Kit

1989-1984	Bearing & Seal Kit	SBK1 ³³
------------------	--------------------------	--------------------

Spindle

1989-1984		
	Seal (inner)	722108[2]
	Needle Bearing (inner)	B2110[2]
	Seal (outer)	722109[2]

REAR AXLE

Differential Rebuild Kit

1989-1984	Dana/Spicer 44 axles	
	Kit	DRK339B
1989-1984	Dana/Spicer 35C axle	
	Kit	DRK335J
1985-1984	AMC 20 axle	
	Kit	DRK311J

Differential

1989-1984	Dana/Spicer 35C axle	
	Cone/Cup	LM501349-LM501314[2]
1989-1984	Dana/Spicer 44 axles	
	Cone/Cup	25590-25523[2]
1985-1984	AMC 20 axle	
	Set	SET36

Pinion

1989-1984	Dana/Spicer 44 axles	
	Cone/Cup (inner)	31594-31520
	Seal (outer)	5778
	Cone/Cup (outer)	02872-02820
1989-1984	Dana/Spicer 35C axle	
	Cone/Cup (inner)	HM88648-HM88610
	Seal (outer)	470331N
	Cone/Cup (outer)	M86649-M86610
1985-1984	AMC 20 axle	
	Cone/Cup (inner)	M802048-M802011
	Seal (outer)	470331N
	Cone/Cup (outer)	M88048-M88010

TRANSFER CASE REBUILD KIT

1989-1986	New Process 231	
	Kit	TCRK231 ⁵¹
1989-1986	New Process 242: exc. cases	
	52098383/4/5	
	Kit	TCRK242
1989-1984	New Process 228	
	Kit	TCRK229
1989-1984	New Process 229	
	Kit	TCRK229
1988-1984	New Process 208	
	Kit	TCRK208SPK ⁴⁷
1987-1984	New Process 207	
	Kit	TCRK207

[] Indicates Quantity Required; Set Components Listed Inside Rear Cover;

³³ Opt. Kit incl: Bearing B2110; Seals 722108 & 722109

⁴⁷ Includes Small Parts Kit

⁵¹ BD50-8 I/S

Brg.

Bearings and Seals

Mfg./Year Model & Location Part No Mfg./Year Model & Location Part No

JEEP - SPORT UTILITY VEHICLES - Cherokee (cont.)

TRANSFER CASE

Input Shaft

1989-1986	New Process 231	
Seal	3173[2]	
Bearing	N5210KLB	
Seal Dual Lip Opt.	710928	
Kwik Slv (Opt Rpr)	KWK99193	
Needle Bearing (pilot)	SCH1810	
1989-1986	New Process 242, 249 (1st design)	
Seal	3173[2]	
Bearing	N5210KLB	
Seal Dual Lip Opt.	710928	
Kwik Slv (Opt Rpr)	KWK99193	
Needle Bearing (pilot)	FC66561	
1989-1981	New Process 228, 229	
Seal	3173[2]	
Needle Bearing	B5020[2]	
Seal Dual Lip Opt.	710928	
Kwik Slv (Opt Rpr)	KWK99193	
Needle Bearing (pilot)	B2012	
Needle Bearing Thrust	NTA3244	
1988-1980	New Process 208, 219	
Seal	3173[2]	
Needle Bearing	B5020[2]	
Seal Dual Lip Opt.	710928	
Kwik Slv (Opt Rpr)	KWK99193	
Needle Bearing (pilot)	B2012	
Needle Bearing Thrust	AXK5070	
1987-1984	New Process 207	
Seal	3173[2]	
Needle Bearing	B3210[2]	
Seal Dual Lip Opt.	710928	
Kwik Slv (Opt Rpr)	KWK99193	
1979-1974	Warner 1305	
Seal	5872S	
Kwik Slv (Opt Rpr)	KWK99193	

Front Output Shaft

1989-1986	New Process 231	
Seal	710046	
Bearing	206WB	
Kwik Slv (Opt Rpr)	KWK99155	
Needle Bearing (pilot)	J2416	
1989-1986	New Process 242	
Seal	3946	
Bearing	207	
Kwik Slv (Opt Rpr)	KWK99187	
Needle Bearing (pilot)	J2416	
1989-1980	New Process 208, 219, 228, 229	
Seal	3946	
Needle Bearing	B2816	
Kwik Slv (Opt Rpr)	KWK99187	
Needle Bearing (pilot)	J2416	
Needle Bearing Thrust	NTA2840[2]	
1987-1984	New Process 207	
Seal	710046	
Bearing	206WB	
Kwik Slv (Opt Rpr)	KWK99155	
Needle Bearing (pilot)	B228	

TRANSFER CASE (cont.)

Front Output Shaft (cont.)

1979-1974	Spicer 20 (1.187" shaft)	
Seal	473229	
Cone/Cup	14116-14276[2]	
Kwik Slv (Opt Rpr)	KWK99156	
1979-1974	Warner 1305	
Seal	473229	
Kwik Slv (Opt Rpr)	KWK99156	

Rear Output Shaft

1989-1986	New Process 231	
Seal	2506	
Bearing	206WB	
Kwik Slv (Opt Rpr)	KWK99149	
Needle Bearing (pilot)	B5020[2]	
1989-1981	New Process 228, 229	
Seal	3946	
Bearing	207	
Kwik Slv (Opt Rpr)	KWK99187	
Needle Bearing (pilot)	B3612	
Needle Bearing Thrust	TC2435	
1988-1980	New Process 208, 219 (slip yoke)	
Seal	4333N	
Bearing	1207L	
Needle Bearing (pilot)	B3616	
Needle Bearing Thrust	TC2435	
1988-1980	New Process 208, 219 (fixed yoke)	
Seal	3946	
Bearing	1207L	
Kwik Slv (Opt Rpr)	KWK99187	
Needle Bearing (pilot)	B3616	
Needle Bearing Thrust	TC2435	
1987-1984	New Process 207	
Seal	4370N	
Bearing	206WB	
Kwik Slv (Opt Rpr)	KWK99149	
Needle Bearing (pilot)	F4020	
1979-1974	Spicer 20	
Cone/Cup (front)	25877-25821	
Seal (rear)	473229	
Cone/Cup (rear)	15117-15245	
Kwik Slv (Opt Rpr)	KWK99156	
1979-1974	Warner 1305	
Seal	473229	
Kwik Slv (Opt Rpr)	KWK99156	

TRANSMISSION REBUILD KIT

1989-1987	Aisin AX5	
Kit	TRKFT160	
1989-1985	Aisin AX15	
Kit	TRKFT300	

3-SPEED AUTOMATIC TRANSMISSION

Torque Converter

1989-1980	Chrysler A727	
Seal	331227H	
Kwik Slv (Opt Rpr)	KWK99187	

JEEP - SPORT UTILITY VEHICLES - Cherokee (cont.)

3-SPEED AUTOMATIC TRANSMISSION (cont.)

Torque Converter (cont.)

1979-1974	General Motors Turbo 400	
Seal	6712NA
Kwik Slv (Opt Rpr)	KWK99187

Rear Seal/Ext. Housing

1989-1980	Chrysler A727	
Seal	7300S
Bearing	207XLO
Seal Kit Opt.	5206 ⁶⁴
1986-1984	Chrysler A904, A999, 30RH	
Seal	2506
Bearing	206LOE ³⁸
1979-1974	General Motors Turbo 400: 1.687" shaft	
Seal	7038SA
Seal Kit Opt.	5201 ⁶⁴
1979-1974	General Motors Turbo 400: 1.890" shaft	
Seal	9449
Seal Kit Opt.	5208 ⁶⁴

Selector Shaft Seal/Man. Shaft

1989-1984	Chrysler A904, A999, 30RH, 31RH, 32RH	
Seal	8609
1979-1974	General Motors Turbo 400	
Seal	8792S

4-SPEED AUTOMATIC TRANSMISSION

Torque Converter

1989-1987	Aisin 03-40	
Seal	223830
Kwik Slv (Opt Rpr)	KWK99147

Rear Seal/Ext. Housing

1989-1987	Aisin 03-40: 4x2	
Seal	710319
1989-1987	Aisin 03-40: 4x4	
Seal	225005

Selector Shaft Seal/Man. Shaft

1989-1987	Aisin 03-40	
Seal	221207
Kwik Slv (Opt Rpr)	KWK99049

CLUTCH

Pilot Bearing

1989-1984	4-cylinder	
Needle Bearing	FC65446
1989-1987	6-cylinder 242 (4.0)	
Needle Bearing	FC66426
1988-1980	6-cylinder 258 (4.2)	
Bushing	PB79
1986-1985	6-cylinder 173 (2.8)	
Bushing H/D	PB652HD

Release Bearing

1989-1987	4-cylinder 150 (2.5): hydraulic piston type	
Hydraulic Bearing Assy	619007 ⁵⁸
1989	6-cylinder 242 (4.0): Peugeot split case: hydraulic piston type	
Hydraulic Bearing Assy	619002 ⁵⁸
1989	6-cylinder 242 (4.0): Aisin 1-piece case: hydraulic piston type	
Hydraulic Bearing Assy	619008 ⁵⁸
1988-1987	6-cylinder 242 (4.0): hydraulic piston type	
Hydraulic Bearing Assy	619002 ⁵⁸
1988-1980	8-cylinder 360 (5.9)	
Bearing Assy	614115
1986-1984	4-cylinder 150 (2.5)	
Bearing Assy	614030
1986-1984	6-cylinder 173 (2.8)	
Bearing Assy	614052
1986-1984	6-cylinder 258 (4.2)	
Bearing Assy	614115

3-SPEED MANUAL TRANSMISSION

Front Input Shaft

1979-1974	Warner T15	
Seal	482208
Bearing	308LI
Kwik Slv (Opt Rpr)	KWK99112
1975-1974	Warner T14	
Seal	482208
Bearing	N307LOE
Kwik Slv (Opt Rpr)	KWK99112

Rear Output Shaft

1979-1974	Warner T15	
Seal	470059
Bearing	308LOE
Seal Kit Opt.	5201 ⁶⁴
1975-1974	Warner T14	
Seal	470059
Bearing	1207LOE
Seal Kit Opt.	5201 ⁶⁴

Selector Shaft Seal/Man. Shaft

1979-1974	Warner T14, T15, T86, T90, T96	
Seal	340797

4-SPEED MANUAL TRANSMISSION

Transmission Rebuild Kit

1986-1974	Warner T18	
Kit	TRK82F

Input Shaft

1989-1984	Aisin AX4	
Seal	1981
Kwik Slv (Opt Rpr)	KWK99114
1988-1980	Tremec 176, 177, 178	
Seal	3638
Bearing	209L
Kwik Slv (Opt Rpr)	KWK99112

[] Indicates Quantity Required; Set Components Listed Inside Rear Cover;
³⁸ Use Old Snap Ring ⁵⁸ Hydraulic Unit ⁶⁴ Opt. Seal and Bushing Kit

Bearings and Seals

Mfg./Year Model & Location Part No Mfg./Year Model & Location Part No

JEEP - SPORT UTILITY VEHICLES - Cherokee (cont.)

4-SPEED MANUAL TRANSMISSION (cont.)

Input Shaft (cont.)

1986-1982	Warner T4	
Seal	7412S
Set	SET5
Needle Bearing Thrust	FA55505
1986-1974	Warner T18	
Seal	7412S
Bearing	308LI
Kwik Slv (Opt Rpr)	KWK99125

Rear Output Shaft

1989-1984	Aisin AX4: 4x4	
Seal	1209N
Bearing	205BB
1988-1980	Tremec 176, 177, 178	
Seal	3173
Bearing	308L
1986-1982	Warner T4	
Seal	472439
Cone/Cup	25877-25821
1986-1974	Warner T18: 10-splines: 3.066" OD	
Seal	473468
Bearing	1308L
1986-1974	Warner T18: 31-splines: 2.381" OD	
Seal	9613S
Bearing	1308L

5-SPEED MANUAL TRANSMISSION

Front Input Shaft

1989-1984	Aisin AX5	
Seal	1981
Kwik Slv (Opt Rpr)	KWK99114
1989-1987	Peugeot BA10/5	
Seal Viton	710164
Kwik Slv (Opt Rpr)	KWK99128
1986-1982	Warner T5	
Seal	7412S
Set	SET5
Kwik Slv (Opt Rpr)	KWK99125
Needle Bearing Thrust	FA55505

Rear Countershaft

1989	Aisin AX15	
Cyl. Bearing (front)	MSNB5305GTBV
1989-1984	Aisin AX5	
Bearing (rear)	204
1986-1982	Warner T5	
Needle Bearing (front)	DK55836
Cyl. Bearing (rear)	5707
Needle Bearing Thrust	NTA1423

5-SPEED MANUAL TRANSMISSION Rear Output Shaft

1989	Aisin AX15: 4x2	
Seal	710319
1989	Aisin AX15: 4x4	
Seal	1209N
1989-1984	Aisin AX5: 4x2	
Seal	710319
Bearing	205BB
1989-1984	Aisin AX5: 4x4	
Seal	1209N
Bearing	205BB
1989-1987	Peugeot BA10/5	
Seal	710319
1986-1982	Warner T5: 23-spline	
Seal	472439
Cone/Cup	25877-25821
1986-1982	Warner T5: 26-spline	
Seal	2506
Cone/Cup	25877-25821

ALTERNATOR

1989-1984	Delco-Remy 42, 56, 63, 66, 78 amp (Type II)	
Bearing (drive end)	203S
1989-1983	Delco-Remy 42, 56, 63, 66, 78 amp (Type II)	
Bearing (drive end)	203FF
1989-1980	Delco-Remy 37, 42, 55, 63, 78 amp	
Bearing (rear end)	MNJ471S
1986-1980	Delco-Remy 37, 42, 55, 63 amp (Type I)	
Bearing (drive end)	203S
1979-1976	Motorcraft	
Bearing (drive end)	203FF
1979-1975	Delco-Remy 37, 42, 55, 63 amp (Type I)	
Bearing (drive end)	203S
1979-1974	Delco-Remy 37, 42, 55, 63, 78 amp	
Bearing (rear end)	MNJ471S
1979-1965	Motorola 35, 37, 51, 55, 62 amp	
Bearing (drive end)	203FF
1977-1976	Motorcraft	
Bearing (rear end)	MNJ471S
1973-1965	Leece-Neville 35, 40, 55 amp	
Bearing (rear end)	MNJ471S
1973-1962	Leece-Neville 35, 40, 55 amp	
Bearing (drive end)	203FF

CRANKSHAFT REAR SEAL

4 Cylinder

1989-1984	150/2.5L	
Seal Viton	716445
Kwik Slv (Opt Rpr)	KWK99294

JEEP - SPORT UTILITY VEHICLES - Cherokee (cont.)

CRANKSHAFT REAR SEAL

6 Cylinder

1989-1980	258/4.2L, 242/4.0L	
Seal	5111S
1986	173/2.8L	
Seal	4307V
Seal PTFE H/D Opt.	5273
Kwik Slv (Opt Rpr)	KWK99298
1984	173/2.8L	
Seal	5210

8 Cylinder

1989-1974	304/5.0L, 360/5.9L, 401/6.6L	
Seal	472341
Kwik Slv (Opt Rpr)	KWK99200

TIMING COVER

4 Cylinder

1989-1984	150/2.5L	
Seal	321460
Kwik Slv (Opt Rpr)	KWK99179

TIMING COVER

6 Cylinder

1989-1980	258/4.2L, 242/4.0L	
Seal	321460
Kwik Slv (Opt Rpr)	KWK99179
1986-1984	173/2.8L	
Seal	9845
Kwik Slv (Opt Rpr)	KWK99176

8 Cylinder

1983-1974	304/5.0L, 360/5.9L, 401/6.6L	
Seal	472341
Kwik Slv (Opt Rpr)	KWK99200

JEEP - LIGHT TRUCK - Jeep, Jeepster, CJ5, CJ7, CJ8, DJ, Scrambler, TJ, Wrangler

FRONT WHEEL

2WD

1974-1972		
Seal (inner)	8430S[2]
Set	SET45[2]
1971-1956		
Cone/Cup (inner)	15123-15245[2]
Cone/Cup (outer)	09067-09195[2]

4WD

1989	Wrangler, TJ	
Hub Assy	513084[2]
1989-1987	complete unitized hub assembly	
Hub Assy	513107[2]
1989-1987	component bearings for OEM hub assembly	
Seal (inner)	4122[2]
Cone/Cup (inner)	JLM603048F-JLM603013Z[2]
Seal (middle)	4019N[2]
Seal (outer)	3942[2]
Cone/Cup (outer)	JLM603048F-JLM603013Z[2]
1986-1984		
Seal (inner)	493637[2]
Set (inner)	SET47
Set (outer)	SET45
1983-1976		
Seal (inner)	4131[2]
Set (inner)	SET47
Set (outer)	SET45
1975-1970	production from 7/1970 on	
Set	SET45[2]

FRONT WHEEL (cont.)

4WD (cont.)

1970-1962	from chassis #89008 on: production thru 6/1970	
Seal (inner)	8430S[2]
Set (outer)	SET45[2]
1961-1946	thru chassis #89007	
Seal (inner)	6626S[2]
Cone/Cup	18590-18520[2]

REAR WHEEL

1989-1988		
Seal (inner)	473212[2]
Set (inner)	SET9
Seal (outer)	2146[2]
1987	Dana/Spicer 35 standard 1.312" axle	
Seal (inner)	473212[2]
Set (inner)	SET9
Seal (outer)	2146[2]
1987	Dana/Spicer 35 Heavy Duty 1.375" axle	
Seal (inner)	473214[2]
Set (inner)	SET9
Seal (outer)	2146[2]
1986-1976		
Seal (inner)	7687S[2]
Set (inner)	SET5
Seal (outer)	8549S[2]
1975-1972		
Seal (inner)	481837[2]
Set (inner)	SET10
Seal (outer)	9912S[2]

Bearings and Seals

Mfg./Year Model & Location Part No Mfg./Year Model & Location Part No

JEEP - LIGHT TRUCK - Jeep, Jeepster, CJ5, CJ7, CJ8, DJ, Scrambler, TJ, Wrangler (cont.)

REAR WHEEL (cont.)

1971-1966	Jeepster: Dana/Spicer 44 axle: flanged axle shaft	
Seal (inner)	481837[2]
Set (inner)	SET10
Seal (outer)	9912S[2]
1971-1966	Jeepster: Dana/Spicer 30, 44 axles: tapered shaft	
Seal (inner)	7245[2]
Cone/Cup (inner)	25877-25821[2]
Seal (outer)	8676S[2]
1971-1966	CJ: Dana/Spicer 44 axle: flanged axle shaft	
Seal (inner)	481837[2]
Set (inner)	SET10
Seal (outer)	9912S[2]
1971-1956	DJ Series	
Seal	41787S[2]
Cone/Cup	15121T-15245[2]
1971-1946	CJ: Dana/Spicer 25, 27 axle: tapered axle shaft	
Seal (inner)	42763[2]
Cone/Cup (inner)	25877-25821[2]
Seal (outer)	8676S[2]

4WD FRONT AXLE

Axle Shaft

1989-1987	Spicer 30-F (Disconnect)	
Seal (LH)	710068
Needle Bearing (LH)	BH208[2]
Seal (RH)	710202
1989-1982	Spicer 30-F (Non-Disconnect)	
Seal	710068[2]
1986-1985	Spicer 30-F (Disconnect)	
Seal (LH)	710068
Needle Bearing (LH)	BH208[2]
Seal (RH)	710204
1984-1982	Spicer 30-F (Disconnect)	
Seal (LH)	710068
Needle Bearing (LH)	B5020[2]
Seal (RH)	710204
1981-1974	Spicer 30-F	
Seal	710068[2]
1973-1946		
Seal	40576S[2]

Differential Rebuild Kit

1989-1974	Dana/Spicer 30 axle	
Kit	DRK334
1971-1966	Dana/Spicer 27 axle	
Kit	DRK197A

Differential

1989-1974	Dana/Spicer 30 axle	
Cone/Cup	LM501349-LM501314[2]
1973-1966	Dana/Spicer 27 axle	
Cone/Cup	LM501349-LM501311[2]
1972-1946	Dana/Spicer 25 axle	
Cone/Cup	24780-24721[2]

Pinion

1989-1974	Dana/Spicer 30 axle	
Cone/Cup (inner)	HM88649-HM88610
Seal (outer)	5778
Cone/Cup (outer)	02872-02820
Seal Viton Opt.	5778V
Kwik Slv (Opt Rpr)	KWK99155
1973-1972	Dana/Spicer 27 axle	
Cone/Cup (inner)	HM88649-HM88610
Seal (outer)	5778
Cone/Cup (outer)	M86647-M86610
1972-1946	Dana/Spicer 25 axle	
Cone/Cup (inner)	31594-31520
Seal (outer)	5778
Cone/Cup (outer)	02872-02820
1971-1966	Dana/Spicer 27 axle	
Cone/Cup (inner)	HM88649-HM88610
Seal (outer)	5778
Cone/Cup (outer)	02872-02820

Spindle Kit

1989-1974	Spicer 30-F	
Bearing & Seal Kit	SBK1 ³³

Spindle

1989-1974	Dana/Spicer 30 axle	
Seal (inner)	722108[2]
Needle Bearing (inner)	B2110[2]
Seal (outer)	722109[2]

Steering Knuckle

1973-1946	Dana/Spicer 25, 27 axles	
Seal	2064[4]
Cone/Cup	11590-11250[4]

REAR AXLE

Differential Rebuild Kit

1989-1970	Dana/Spicer 44-1HD axle; 44M	
Kit	DRK339B
1989-1987	Dana/Spicer 35 axle	
Kit	DRK335J
1986-1980	AMC 20 axle	
Kit	DRK311J
1971-1962	Dana/Spicer 27 axle	
Kit	DRK197A

Differential

1989-1987	Dana/Spicer 35C axle	
Cone/Cup	LM501349-LM501314[2]
1989-1970	Dana/Spicer 44-1HD axle; 44M	
Cone/Cup	25590-25523[2]
1986-1976	AMC 20 axle	
Set	SET36[2]
1971-1966	Dana/Spicer 30 axle	
Cone/Cup	LM501349-LM501311[2]
1971-1962	Dana/Spicer 27 axle	
Cone/Cup	LM501349-LM501311[2]

340 [] Indicates Quantity Required; Set Components Listed Inside Rear Cover;

³³ Opt. Kit incl: Bearing B2110; Seals 722108 & 722109

JEEP - LIGHT TRUCK - Jeep, Jeepster, CJ5, CJ7, CJ8, DJ, Scrambler, TJ, Wrangler (cont.)

REAR AXLE (cont.)

Differential (cont.)

1961-1946 Dana/Spicer 25 axle	
Cone/Cup	24780-24721[2]

Pinion

1989-1987 Dana/Spicer 35C axle	
Cone/Cup (inner)	HM88648-HM88610
Seal (outer)	470331N
Cone/Cup (outer)	M86649-M86610
1986-1976 AMC 20 axle	
Cone/Cup (inner)	M802048-M802011
Seal (outer)	470331N
Cone/Cup (outer)	M88048-M88010
1979-1974 Dana/Spicer 30 AF	
Cone/Cup (inner)	HM88649-HM88610
Seal (outer)	5778
Cone/Cup (outer)	02872-02820
Kwik Slv (Opt Rpr)	KWK99155
1973-1972 Dana/Spicer 27F	
Cone/Cup (inner)	HM88649-HM88610
Seal (outer)	5778
Cone/Cup (outer)	M86647-M86610
Kwik Slv (Opt Rpr)	KWK99155
1972-1946 Dana/Spicer 25 axle	
Cone/Cup (inner)	31594-31520
Seal (outer)	5778
Cone/Cup (outer)	02872-02820
Kwik Slv (Opt Rpr)	KWK99155
1971-1962 Dana/Spicer 27AF axle	
Cone/Cup (inner)	HM88649-HM88610
Seal (outer)	5778
Cone/Cup (outer)	02872-02820
Kwik Slv (Opt Rpr)	KWK99155

TRANSFER CASE REBUILD KIT

1989-1987 New Process 231	
Kit	TCRK231 ⁵¹
1987-1984 New Process 207	
Kit	TCRK207
1986-1981 New Process 229	
Kit	TCRK229
1986-1980 Dana/Spicer 300	
Kit	TCRK182
1979-1972 Dana/Spicer 20: 1.187" shaft	
Kit	TCRK20A
1971-1946 Dana/Spicer 18	
Kit	TCRK18

TRANSFER CASE

Input Shaft

1989-1988 New Process 231	
Seal	3173
Bearing	110L
Seal Dual Lip	710928
Kwik Slv (Opt Rpr)	KWK99193
Bearing (pilot)	N5210KLB

TRANSFER CASE (cont.)

Input Shaft (cont.)

1987-1984 New Process 207	
Seal	3173
Needle Bearing	B3210
Seal Dual Lip	710928
Kwik Slv (Opt Rpr)	KWK99193
Needle Bearing (pilot)	SCH1810
Needle Bearing Thrust	NTA3244
1986-1981 New Process 229	
Seal	3173
Needle Bearing	B5020
Seal Dual Lip	710928
Kwik Slv (Opt Rpr)	KWK99193
Needle Bearing (pilot)	B2012
Needle Bearing Thrust	NTA3244
1986-1980 Spicer 300	
Seal	471869
Bearing	209BB
Kwik Slv (Opt Rpr)	KWK99193

Front Output Shaft

1989-1988 New Process 231	
Seal	710046
Bearing	206WB
Kwik Slv (Opt Rpr)	KWK99155
Needle Bearing (pilot)	J2416
1987-1984 New Process 207	
Seal	710046
Bearing	206WB
Kwik Slv (Opt Rpr)	KWK99155
Needle Bearing (pilot)	B228
1986-1981 New Process 229	
Seal	3946
Needle Bearing	B2816
Kwik Slv (Opt Rpr)	KWK99187
Needle Bearing (pilot)	J2416
Needle Bearing Thrust	NTA2840[2]
1986-1980 Spicer 300	
Seal	711552
Cone/Cup	M86649-M86610[2]
Kwik Slv (Opt Rpr)	KWK99155
1979-1972 Spicer 20 (1.187" shaft)	
Seal	473229
Cone/Cup	14116-14276[2]
Kwik Slv (Opt Rpr)	KWK99156
1976-1946 Spicer 18	
Seal	472635
Bearing	206WB
Kwik Slv (Opt Rpr)	KWK99155
1973-1966 Spicer 20 (1.312" shaft)	
Seal	450185
Cone/Cup	14131-14276[2]
Kwik Slv (Opt Rpr)	KWK99156

[] Indicates Quantity Required; Set Components Listed Inside Rear Cover;

⁵¹ BD50-8 I/S Brg.

Bearings and Seals

Mfg./Year Model & Location Part No Mfg./Year Model & Location Part No

JEEP - LIGHT TRUCK - Jeep, Jeepster, CJ5, CJ7, CJ8, DJ, Scrambler, TJ, Wrangler (cont.)

TRANSFER CASE

Rear Output Shaft

1987-1984	New Process 207	
Seal	4370N
Bearing	206WB
Kwik Slv (Opt Rpr)	KWK99149
Needle Bearing (pilot)	F4020[2]
1986-1981	New Process 229	
Seal	3946
Bearing	207
Kwik Slv (Opt Rpr)	KWK99187
Needle Bearing (pilot)	B3612
Needle Bearing Thrust	TC2435
1986-1980	Spicer 300	
Cone/Cup (inner)	25877-25821
Seal (outer)	711552
Cone/Cup (outer)	15117-15245
Kwik Slv (Opt Rpr)	KWK99155
Needle Bearing (pilot)	JH1612
1979-1974	Spicer 20	
Cone/Cup (front)	25877-25821
Seal (rear)	473229
Cone/Cup (rear)	15117-15245
Kwik Slv (Opt Rpr)	KWK99156
1973-1966	Spicer 20	
Cone/Cup (front)	25877-25821
Seal (rear)	450185
Cone/Cup (rear)	15117-15245
Kwik Slv (Opt Rpr)	KWK99156
1971-1946	Spicer 18	
Seal	472635
Cone/Cup	14131-14276[2]
Kwik Slv (Opt Rpr)	KWK99155

Intermediate Shaft

1986-1980	Spicer 300	
Needle Bearing	Q13367[48]
1971-1946	Spicer 18	
Needle Bearing	F54970[2]

Idler Shaft

1979-1972	Spicer 20 (1.187" shaft)	
Needle Bearing	Q13367[48]
1973-1966	Spicer 20 (1.312" shaft)	
Needle Bearing	C678Q[48]
1971-1946	Spicer 18	
Needle Bearing	Q13367[48]

Oil Pump Housing

1989-1981	New Process 207, 229, 231	
Seal	341022
Kwik Slv (Opt Rpr)	KWK99225

Side Gear

1986-1981	New Process 229	
Needle Bearing	QAR29523[15]

TRANSFER CASE

Selector Shaft Seal/Man. Shaft

1986-1980	Spicer 300	
Seal	471466[2]
Kwik Slv (Opt Rpr)	KWK99062[2]
1979-1946	Spicer	
Seal	470009
Kwik Slv (Opt Rpr)	KWK99062

TRANSMISSION REBUILD KIT

1989-1987	Aisin AX5	
Kit	TRKFT160

3-SPEED AUTOMATIC TRANSMISSION

Torque Converter

1989-1976	Chrysler A904, A999, 30RH, 31RH, 32RH	
Seal	331228H
Kwik Slv (Opt Rpr)	KWK99149
1979-1964	General Motors Turbo 400	
Seal	6712NA
Kwik Slv (Opt Rpr)	KWK99187

Rear Seal/Ext. Housing

1989-1976	Chrysler A904, A999, 30RH	
Seal	2506
Bearing	206LOE ³⁸
1979-1964	General Motors Turbo 400: 1.687" shaft	
Seal	7038SA
Seal Kit Opt.	5201 ⁶⁴
1979-1964	General Motors Turbo 400: 1.890" shaft	
Seal	9449
Seal Kit Opt.	5208 ⁶⁴

Selector Shaft Seal/Man. Shaft

1989-1980	Chrysler A904, A999, 30RH, 31RH, 32RH	
Seal	8609
1979-1964	General Motors Turbo 400	
Seal	8792S

CLUTCH - 4 CYLINDER

Pilot Bearing

1989-1983	150/2.5L	
Needle Bearing	FC65446
1987-1985	126/2.1L (diesel)	
Bearing	203FF
1983-1980	151/2.5L	
Bushing H/D	PB656HD
1971-1946		
Bushing	PB70

342 [] Indicates Quantity Required; Set Components Listed Inside Rear Cover;

³⁸ Use Old Snap Ring ⁶⁴ Opt. Seal and Bushing Kit

JEEP - LIGHT TRUCK - Jeep, Jeepster, CJ5, CJ7, CJ8, DJ, Scrambler, TJ, Wrangler (cont.)

CLUTCH - 6 CYLINDER

Pilot Bearing

1989-1987	242/4.0L; 258/4.2L	
	Needle Bearing	FC66426
1985-1980	258/4.2L	
	Bushing	PB79
1979-1976	232/3.8L, 258/4.2L	
	Bushing H/D	PB76HD
1975-1972	232/3.8L, 258/4.2L	
	Bushing H/D	PB77HD
1971	232/3.8L, 258/4.2L	
	Bushing	PB74
1971-1966	225/3.7L	
	Bushing H/D	PB656HD

CLUTCH - 8 CYLINDER

Pilot Bearing

1981-1980	304/5.0L	
	Bushing	PB79
1979-1976	304/5.0L	
	Bushing H/D	PB76HD
1975-1972	304/5.0L	
	Bushing H/D	PB77HD
1971	304/5.0L	
	Bushing	PB74

CLUTCH - 4 CYLINDER

Release Bearing

1989-1987	150/2.5L	
	Hydraulic Bearing Assy	619007 ⁵⁸
1986-1984	150/2.5L	
	Bearing Assy	614030
1983	150/2.5L (AMC)	
	Bearing Assy	614030
1983	151/2.5L (GMC)	
	Bearing Assy	614017
1982-1980	151/2.5L, 2369CC/2.4L (Diesel)	
	Bearing Assy	614017
1971-1946	134/2.2L, 192/3.1L (Diesel)	
	Bearing Only	W1505C

CLUTCH - 6 CYLINDER

Release Bearing

1989	258/4.2L (Aisin AX15)	
	Hydraulic Bearing Assy	619008 ⁵⁸
1989	258/4.2L (Peugeot BA10/5)	
	Hydraulic Bearing Assy	619002 ⁵⁸
1988-1987	258/4.2L	
	Hydraulic Bearing Assy	619002 ⁵⁸
1986-1979	258/4.2L	
	Bearing Assy	614115
1978-1976	232/3.8L, 258/4.2L (Cone Diaph)	
	Bearing Assy	614115
1978-1976	232/3.8L, 258/4.2L (3 Lever Type)	
	Bearing Assy	614034
1975-1974	232/3.8L, 258/4.2L	
	Bearing Assy	RBO1658C

CLUTCH - 6 CYLINDER (cont.)

Release Bearing (cont.)

1973-1972	258/4.2L	
	Bearing Assy	RBO1658C
1973-1972	232/3.8L	
	Bearing Assy	1377C
1971-1966	225/3.7L	
	Bearing Assy	1377C

CLUTCH - 8 CYLINDER

Release Bearing

1981-1980	304/5.0L	
	Bearing Assy	614115
1979-1976	305/5.0L cone diaph	
	Bearing Assy	614115
1979-1976	304/5.0L (3 Lever Type)	
	Bearing Assy	614034
1975-1974	304/5.0L	
	Bearing Assy	RB01658C
1973-1971	304/5.0L	
	Bearing Assy	R1625C

3-SPEED MANUAL TRANSMISSION

Front Input Shaft

1979-1976	Tremec 150T	
	Seal	482208
	Bearing	208LO
	Kwik Slv (Opt Rpr)	KWK99112
1979-1971	Warner T15	
	Seal	482208
	Bearing	308LI
	Kwik Slv (Opt Rpr)	KWK99112
1975-1971	Warner T14	
	Seal	482208
	Bearing	N307LOE
	Kwik Slv (Opt Rpr)	KWK99112
1971-1966	Warner T86	
	Seal	482208
	Bearing	207L
	Kwik Slv (Opt Rpr)	KWK99112
1971-1946	Warner T90	
	Bearing	208L
1971-1946	Warner T96	
	Bearing	207LO

Mainshaft Pilot

1979-1976	Tremec 150T	
	Needle Bearing	QBR23549[15]
1979-1966	Warner T14, T15, T86	
	Needle Bearing	QAR35319[22]
1971-1946	Warner T90	
	Needle Bearing	W1518Q[14]
1971-1946	Warner T96	
	Needle Bearing	C1110Q[13]

[] Indicates Quantity Required; Set Components Listed Inside Rear Cover;
⁵⁸ Hydraulic Unit

Bearings and Seals

Mfg./Year Model & Location Part No Mfg./Year Model & Location Part No

JEEP - LIGHT TRUCK - Jeep, Jeepster, CJ5, CJ7, CJ8, DJ, Scrambler, TJ, Wrangler (cont.)

3-SPEED MANUAL TRANSMISSION

Rear Output Shaft

1979-1976	Tremec 150T	
Seal	482267	
Bearing	307L	
1979-1971	Warner T15	
Seal	470059	
Bearing	308LOE	
Seal Kit Opt.	5201 ⁶⁴	
1975-1971	Warner T14	
Seal	470059	
Bearing	1207LOE	
Seal Kit Opt.	5201 ⁶⁴	
1971-1966	Warner T86: 6-splines	
Seal	8160S	
Bearing	307TB	
1971-1966	Warner T86: 10-splines	
Seal	8160S	
Bearing	206L	
1971-1966	Warner T86: 16-splines	
Seal	9613S	
Bearing	207L	
1971-1964	Warner T96	
Seal	8160S	
Bearing	206L	
1971-1946	Warner T90: 6-splines	
Seal	8160S	
Bearing	1307	
1971-1946	Warner T90: 16-splines	
Seal	9613S	
Bearing	207L	
1963-1946	Warner T96: non-overdrive	
Seal	8160S	
Bearing	206L	
1963-1946	Warner T96: with overdrive	
Seal	8160S	
Bearing	206WB	

Reverse Idler

1975-1971	Warner T14	
Needle Bearing	C407Q[20]	

Selector Shaft Seal/Man. Shaft

1979-1946	Warner T14, T15, T86, T90, T96	
Seal	340797	
Kwik Slv (Opt Rpr)	KWK99059	

4-SPEED MANUAL TRANSMISSION

Transmission Rebuild Kit

1981-1965	Warner T18	
Kit	TRK82F	

4-SPEED MANUAL TRANSMISSION

Input Shaft

1986-1982	Warner T4	
Seal	7412S	
Set	SET5	
Kwik Slv (Opt Rpr)	KWK99125	
Needle Bearing Thrust	FA55505	
1986-1980	Tremec 176, 177, 178	
Seal	482208	
Bearing	209L	
Kwik Slv (Opt Rpr)	KWK99112	
1981-1980	Warner SR4	
Seal	3638	
Bearing	1207L	
Kwik Slv (Opt Rpr)	KWK99112	
1981-1965	Warner T18	
Seal	7412S	
Bearing	308LI	
Kwik Slv (Opt Rpr)	KWK99125	
1971-1955	Warner T98	
Bearing	308LI	

Mainshaft Pilot

1986-1980	Warner SR4, T4; Tremac 176, 177, 178	
Needle Bearing	QBR23549[15]	
1981-1966	Warner T18	
Needle Bearing	C436Q[22]	
1971-1955	Warner T98	
Needle Bearing	W1590Q[16]	

Countershaft

1986-1982	Warner T4	
Cyl. Bearing (rear)	5707	
Needle Bearing Thrust	NTA1423	
1986-1980	Tremec 176, 177, 178	
Needle Bearing	QAR33724[42]	
1981-1980	Warner SR4	
Needle Bearing	C1086Q[50]	
1981-1955	Warner T18, T98	
Needle Bearing	C436Q[88]	

Reverse Idler

1986-1980	Tremec 176, 177, 178	
Needle Bearing	C407Q[44]	
1981-1966	Warner T18	
Needle Bearing	B1316Q[74]	
1971-1955	Warner T98	
Needle Bearing	Q6283[74]	

Rear Output Shaft

1986-1982	Warner	
Seal	472439	
Cone/Cup	25877-25821	
1986-1980	Tremec 176, 177, 178	
Seal	3173	
Bearing	308L	
1981-1980	Warner SR4	
Seal	472439	
Bearing	207L	

344 [] Indicates Quantity Required; Set Components Listed Inside Rear Cover;

⁶⁴ Opt. Seal and Bushing Kit

JEEP - LIGHT TRUCK - Jeep, Jeepster, CJ5, CJ7, CJ8, DJ, Scrambler, TJ, Wrangler (cont.)

4-SPEED MANUAL TRANSMISSION

(cont.)

Rear Output Shaft (cont.)

1981-1980	Warner T18: 31-splines: 2.381" OD	
Seal		9613S
Bearing		1308L
1981-1979	Warner T18: 10-splines: 3.066" OD	
Seal		473468
Bearing		1308L
1979-1965	Warner T18: 31-splines: 2.381" OD	
Seal		9613S
Bearing		308L
1978-1965	Warner T18: 10-splines: 3.066" OD	
Seal		473463
Bearing		308L
1978-1965	Warner T18: 6-splines: 3.068" OD	
Seal		473468
Bearing		308L
1971-1955	Warner T98	
Seal		450308
Bearing		1308L

Selector Shaft Seal/Man. Shaft

1986-1980	Warner SR4; Tremac 176, 177, 178	
Seal		313156

5-SPEED MANUAL TRANSMISSION

Front Input Shaft

1989-1987	Aisin AX5	
Seal		1981
Kwik Slv (Opt Rpr)		KWK99114
1989-1987	Peugeot BA10/5	
Seal Viton		710164
Kwik Slv (Opt Rpr)		KWK99128
1986-1982	Warner T5	
Seal		7412S
Set		SET5
Kwik Slv (Opt Rpr)		KWK99125
Needle Bearing Thrust		FA55505

Mainshaft Pilot

1989-1987	Peugeot BA10/5	
Bearing		32004WB
1986-1982	Warner T5	
Needle Bearing		QBR23549[15]

5-SPEED MANUAL TRANSMISSION

Rear Countershaft

1989-1987	Aisin AX5	
Bearing (rear)		204
1986-1982	Warner T5	
Needle Bearing (front)		DK55836
Cyl. Bearing (rear)		5707
Needle Bearing Thrust		NTA1423

Rear Output Shaft

1989-1984	Aisin AX5: 4x2	
Seal		710319
Bearing		205BB
1989-1984	Aisin AX5: 4x4	
Seal		1209N
Bearing		205BB
1989-1987	Peugeot BA10/5	
Seal		710319
1986-1982	Warner T5: 26-spline	
Seal		472439
Cone/Cup		25877-25821

OVERDRIVE UNIT

Output Shaft

1964-1946	Warner R10	
Bearing		206WB

Selector Shaft Seal/Man. Shaft

1964-1946	Warner R10	
Seal		8160S

Free Wheel Cam

1964-1946	Warner R10	
Needle Bearing		W585Q[12]

Solenoid

1964-1946	Warner R10	
Seal		240698

ALTERNATOR

1989-1987	Leece-Neville 35, 40, 55 amp	
Bearing (rear end)		MNJ471S
1989-1983	Delco-Remy 42, 56, 63, 66, 78 amp (Type II)	
Bearing (drive end)		203F
1986-1975	Delco-Remy 37, 42, 55, 63 amp (Type I)	
Bearing (drive end)		203S
1986-1974	Delco-Remy 37, 42, 55, 63, 78 amp	
Bearing (rear end)		MNJ471S
1977-1976	Motorcraft	
Bearing (drive end)		203FF
1976-1973	Motorola 35, 37, 51, 55, 62 amp	
Bearing (drive end)		203FS
1973	Leece-Neville 35, 40, 55 amp	
Bearing (rear end)		MNJ471S

Bearings and Seals

Mfg./Year Model & Location Part No Mfg./Year Model & Location Part No

JEEP - LIGHT TRUCK - Jeep, Jeepster, CJ5, CJ7, CJ8, DJ, Scrambler, TJ, Wrangler (cont.)

ALTERNATOR (cont.)

1973-1972	Motorola 35, 37, 51, 55, 62 amp	
	Bearing (rear end)	200CC
1973-1962	Leece-Neville 35, 40, 55 amp	
	Bearing (drive end)	203FF
1973-1962	60 amp	
	Bearing (rear end)	203FF

MANUAL STEERING

Pitman Shaft

1961-1946		
	Seal	340413

CRANKSHAFT REAR SEAL

4 Cylinder

1989-1983	150/2.5L	
	Seal Viton	228410
	Kwik Slv (Opt Rpr)	KWK99294
1983-1980	151/2.5L	
	Seal	3698

6 Cylinder

1989-1971	258/4.2L	
	Seal	5111S
1971-1966	225/3.7L	
	Seal	5650

8 Cylinder

1981-1979	304/5.0L	
	Seal Split	5112S

TIMING COVER

4 Cylinder

1989-1983	150/2.5L	
	Seal	321460
	Kwik Slv (Opt Rpr)	KWK99179

TIMING COVER (cont.)

4 Cylinder (cont.)

1983-1980	151/2.5L	
	Seal	9845
	Kwik Slv (Opt Rpr)	KWK99176
	Harmonic Balancer	
	Sleeves Opt.	88176
1971-1946	134/2.2L	
	Seal	471504
	Kwik Slv (Opt Rpr)	KWK99174

6 Cylinder

1989-1971	258/4.2L	
	Seal	321460
	Kwik Slv (Opt Rpr)	KWK99179
1979-1971	232/3.8L	
	Seal	321460
	Kwik Slv (Opt Rpr)	KWK99179
1971-1966	225/3.7L	
	Seal	3095
	Kwik Slv (Opt Rpr)	KWK99226

8 Cylinder

1981-1980	304/5.0L	
	Seal Viton	3604
1979-1971	304/5.0L	
	Seal	472341
	Kwik Slv (Opt Rpr)	KWK99200

JEEP - FULL-SIZE WAGONEER, Grand Wagoneer, Wagoneer, Wagoneer Limited

FRONT WHEEL

2WD

1971-1963	Standard suspension	
	Seal (inner)	8430S[2]
	Cone/Cup (inner)	24780-24720[2]
	Set (outer)	SET45
1971-1963	Heavy Duty suspension	
	Seal (inner)	8430S[2]
	Set	SET45[2]

FRONT WHEEL

4WD

1989-1977		
	Seal (inner)	471271[2]
	Cone/Cup (inner)	LM104949-JLM104910[2]
	Set (outer)	SET45
1973-1963	Dana/Spicer 44 axle	
	Seal (inner)	8430S[2]
	Cone/Cup (inner)	24780-24720[2]
	Set (outer)	SET45
1972-1963	Dana/Spicer 25, 27 axles	
	Seal (inner)	8430S[2]
	Set	SET45[2]

JEEP - FULL-SIZE WAGONEER, Grand Wagoneer, Wagoneer, Wagoneer Limited (cont.)

REAR WHEEL

1989-1986	Spicer 44	
Seal (inner)	481837[2]
Set (inner)	SET10
Seal (outer)	9912S[2]
1983-1980		
Seal (inner)	9912S[2]
Set (inner)	SET10
Seal (outer)	481837[2]
1979-1963	Spicer 44 axle: flanged axle shaft	
Seal (inner)	481837[2]
Set (inner)	SET10
Seal (outer)	9912S[2]
1973-1971	Dana/Spicer 60 axle	
Cyl. Bearing	RSN1584EV[2]
1973-1963	Dana/Spicer 44 axle: tapered axle shaft	
Seal (inner)	7245[2]
Cone/Cup (inner)	25877-25821[2]
Seal (outer)	8676S[2]

4WD FRONT AXLE

Differential Rebuild Kit

1989-1984	Dana/Spicer 30 axles	
Kit	DRK334
1989-1967	Dana/Spicer 44 axles	
Kit	DRK339B
1973-1963	Dana/Spicer 27AF axle	
Kit	DRK197A

Differential

1989-1984	Dana/Spicer 30 axles	
Cone/Cup	LM501349-LM501314[2]
1989-1967	Dana/Spicer 44 axles	
Cone/Cup	25590-25523[2]
1973-1963	Dana/Spicer 27 axles	
Cone/Cup	LM501349-LM501311[2]
1969-1963	Dana/Spicer 25 axles	
Cone/Cup	24780-24721[2]

Pinion

1989-1984	Dana/Spicer 30 axle	
Cone/Cup (inner)	HM88649-HM88610
Seal (outer)	5778
Cone/Cup (outer)	02872-02820
1989-1980	Dana/Spicer 44 axles	
Cone/Cup (inner)	31594-31520
Seal (outer)	5778
Cone/Cup (outer)	02872-02820

Spindle Kit

1989-1974	Bearing & Seal Kit	SBK1 ³³
------------------	--------------------	-------	--------------------

4WD FRONT AXLE

Spindle

1989-1974		
Seal (inner)	722108[2]
Needle Bearing (inner)	B2110[2]
Seal (outer)	722109[2]

REAR AXLE

Differential Rebuild Kit

1979-1974	Dana/Spicer 44 series axles	
Kit	DRK339B
1976-1970	Dana/Spicer 60 series axles	
Kit	DRK331
1973-1967	Dana/Spicer 44 axle: flanged axle shaft	
Kit	DRK339B
1973-1961	Dana/Spicer 44-1HD axle	
Kit	DRK339B
1971-1963	Dana/Spicer 70 axle	
Kit	DRK332

Differential

1989-1986	Dana/Spicer 44 axle	
Cone/Cup	25590-25523[2]
1985-1984		
Set	SET36[2]

Pinion

1989-1986	Dana/Spicer 44 axle	
Cone/Cup (inner)	31594-31520
Cone/Cup (outer)	02872-02820
1985-1984		
Cone/Cup (inner)	M802048-M802011
Cone/Cup (outer)	M88048-M88010

TRANSFER CASE REBUILD KIT

1979-1972	Dana/Spicer 20 axle: 1.187" shaft	
Kit	TCRK20A

TRANSFER CASE

Input Shaft

1989-1986	New Process 242, 249 (1st design)	
Seal	3173[2]
Bearing	N5210KLB
Seal Dual Lip Opt.	710928
Kwik Slv (Opt Rpr)	KWK99193
Needle Bearing (pilot)	FC66561
1989-1986	New Process 231	
Seal	3173[2]
Bearing	N5210KLB
Seal Dual Lip Opt.	710928
Kwik Slv (Opt Rpr)	KWK99193
Needle Bearing (pilot)	SCH1810

[] Indicates Quantity Required; Set Components Listed Inside Rear Cover;
³³ Opt. Kit incl: Bearing B2110; Seals 722108 & 722109

Bearings and Seals

Mfg./Year Model & Location Part No Mfg./Year Model & Location Part No

JEEP - FULL-SIZE WAGONEER, Grand Wagoneer, Wagoneer, Wagoneer Limited (cont.)

TRANSFER CASE (cont.)

Input Shaft (cont.)

1989-1981	New Process 228, 229	
Seal	3173[2]
Needle Bearing	B5020[2]
Seal Dual Lip Opt.	710928
Kwik Slv (Opt Rpr)	KWK99193
Needle Bearing (pilot)	B2012
Needle Bearing Thrust	NTA3244
1988-1980	New Process 208, 219	
Seal	3173[2]
Needle Bearing	B5020[2]
Seal Dual Lip Opt.	710928
Kwik Slv (Opt Rpr)	KWK99193
Needle Bearing (pilot)	B2012
Needle Bearing Thrust	AXK5070
1987-1984	New Process 207	
Seal	3173[2]
Needle Bearing	B3210[2]
Seal Dual Lip Opt.	710928
Kwik Slv (Opt Rpr)	KWK99193
1979-1974	Warner 1305	
Seal	5872S
Kwik Slv (Opt Rpr)	KWK99193

Front Output Shaft

1989-1986	New Process 242	
Seal	3946
Bearing	207
Kwik Slv (Opt Rpr)	KWK99187
Needle Bearing (pilot)	J2416
1989-1980	New Process 208, 219, 228, 229	
Seal	3946
Needle Bearing	B2816
Kwik Slv (Opt Rpr)	KWK99187
Needle Bearing (pilot)	J2416
Needle Bearing Thrust	NTA2840[2]
1987-1984	New Process 207	
Seal	710046
Bearing	206WB
Kwik Slv (Opt Rpr)	KWK99155
Needle Bearing (pilot)	B228
1979-1972	Spicer 20 (1.187" shaft)	
Seal	473229
Cone/Cup	14116-14276[2]
Kwik Slv (Opt Rpr)	KWK99156
1979-1972	Warner 1305	
Seal	473229
Kwik Slv (Opt Rpr)	KWK99156
1973-1954	Spicer 20 (1.312" shaft)	
Seal	450185
Cone/Cup	14131-14276[2]
Kwik Slv (Opt Rpr)	KWK99156

TRANSFER CASE

Rear Output Shaft

1989-1986	New Process 231	
Seal	2506
Bearing	206WB
Kwik Slv (Opt Rpr)	KWK99149
Needle Bearing (pilot)	B5020[2]
1989-1981	New Process 228, 229	
Seal	3946
Bearing	207
Kwik Slv (Opt Rpr)	KWK99187
Needle Bearing (pilot)	B3612
Needle Bearing Thrust	TC2435
1988-1980	New Process 208, 219 (slip yoke)	
Seal	4333N
Bearing	1207L
Needle Bearing (pilot)	B3616
Needle Bearing Thrust	TC2435
1988-1980	New Process 208, 219 (fixed yoke)	
Seal	3946
Bearing	1207L
Kwik Slv (Opt Rpr)	KWK99187
Needle Bearing (pilot)	B3616
Needle Bearing Thrust	TC2435
1987-1984	New Process 207	
Seal	4370N
Bearing	206WB
Kwik Slv (Opt Rpr)	KWK99149
Needle Bearing (pilot)	F4020
1979-1974	Spicer 20	
Cone/Cup (front)	25877-25821
Seal (rear)	473229
Cone/Cup (rear)	15117-15245
Kwik Slv (Opt Rpr)	KWK99156
1979-1974	Warner 1305	
Seal	473229
Kwik Slv (Opt Rpr)	KWK99156
1973-1954	Spicer 20	
Cone/Cup (front)	25877-25821
Seal (rear)	450185
Cone/Cup (rear)	15117-15245
Kwik Slv (Opt Rpr)	KWK99156

3-SPEED AUTOMATIC TRANSMISSION

Torque Converter

1989-1980	Chrysler A727	
Seal	331227H
Kwik Slv (Opt Rpr)	KWK99187
1979-1964	General Motors Turbo 400	
Seal	6712NA
Kwik Slv (Opt Rpr)	KWK99187

JEEP - FULL-SIZE WAGONEER, Grand Wagoneer, Wagoneer, Wagoneer Limited (cont.)

3-SPEED AUTOMATIC TRANSMISSION

Rear Seal/Ext. Housing

1989-1980	Chrysler A727	
Seal		7300S
Bearing		207XLO
Seal Kit Opt.		5206 ⁶⁴
1986-1984	Chrysler A904, A999, 30RH	
Seal		2506
Bearing		206LOE ³⁸
1979-1964	General Motors Turbo 400: 1.687" shaft	
Seal		7038SA
Seal Kit Opt.		5201 ⁶⁴
1979-1964	General Motors Turbo 400: 1.890" shaft	
Seal		9449
Seal Kit Opt.		5208 ⁶⁴

Selector Shaft Seal/Man. Shaft

1989-1984	Chrysler A904, A999, 30RH, 31RH, 32RH	
Seal		8609
1979-1964	General Motors Turbo 400	
Seal		8792S

4-SPEED AUTOMATIC TRANSMISSION

Torque Converter

1989-1987	Aisin 03-40	
Seal		223830
Kwik Slv (Opt Rpr)		KWK99147

Rear Seal/Ext. Housing

1989-1987	Aisin 03-40: 4x2	
Seal		710319
1989-1987	Aisin 03-40: 4x4	
Seal		225005

Selector Shaft Seal/Man. Shaft

1989-1987	Aisin 03-40	
Seal		221207
Kwik Slv (Opt Rpr)		KWK99049

CLUTCH

Pilot Bearing

1979-1972	8-cylinder 304 (5.0), 360 (5.9)	
Bushing H/D		PB77HD
1971	8-cylinder 304 (5.0)	
Bushing		PB74
1971-1968	8-cylinder 350 (5.7)	
Bushing H/D		PB656HD

Release Bearing

1989-1980	8-cylinder	
Bearing Assy		614038
1988-1980	6-cylinder	
Bearing Assy		614038
1979-1978	6-cylinder	
Bearing Assy		R1605C

CLUTCH (cont.)

Release Bearing (cont.)

1979-1974	8-cylinder	
Bearing Assy		R1605C

3-SPEED MANUAL TRANSMISSION

Front Input Shaft

1979-1967	Warner T15	
Seal		482208
Bearing		308LI
Kwik Slv (Opt Rpr)		KWK99112
1975-1967	Warner T14	
Seal		482208
Bearing		N307LOE
Kwik Slv (Opt Rpr)		KWK99112
1967-1961	Warner T96	
Bearing		207LO
1967-1954	Warner T85, T86, T89	
Seal		482208
Bearing		207L
Kwik Slv (Opt Rpr)		KWK99112
1967-1954	Warner T90	
Bearing		208L

Rear Output Shaft

1979-1967	Warner T15	
Seal		470059
Bearing		308LOE
Seal Kit Opt.		5201 ⁶⁴
1975-1967	Warner T14	
Seal		470059
Bearing		1207LOE
Seal Kit Opt.		5201 ⁶⁴
1967-1961	Warner T96: non-overdrive	
Seal		8160S
Bearing		206L
1967-1954	Warner T86: 16-splines	
Seal		9613S
Bearing		207L
1967-1954	Warner T90: 6-splines	
Seal		8160S
Bearing		1307
1967-1954	Warner T90: 16-splines	
Seal		9613S
Bearing		207L
1964	Warner T96	
Seal		8160S
Bearing		206L
1964-1962	Warner T86: 6-splines	
Seal		8160S
Bearing		307TB
1964-1962	Warner T86: 10-splines	
Seal		8160S
Bearing		206L
1963-1961	Warner T96: with overdrive	
Seal		8160S
Bearing		206WB

[] Indicates Quantity Required; Set Components Listed Inside Rear Cover;

³⁸ Use Old Snap Ring ⁶⁴ Opt. Seal and Bushing Kit

Bearings and Seals

Mfg./Year Model & Location Part No Mfg./Year Model & Location Part No

JEEP - FULL-SIZE WAGONEER, Grand Wagoneer, Wagoneer, Wagoneer Limited (cont.)

3-SPEED MANUAL TRANSMISSION

Selector Shaft Seal/Man. Shaft

1979-1946 Warner T14, T15, T86, T90, T96
Seal 340797

4-SPEED MANUAL TRANSMISSION

Transmission Rebuild Kit

1986-1965 Warner T18
Kit TRK82F

Input Shaft

1989-1984 Aisin AX4
Seal 1981
Kwik Slv (Opt Rpr) KWK99114
1988-1980 Tremec 176, 177, 178
Seal 3638
Bearing 209L
Kwik Slv (Opt Rpr) KWK99112
1986-1982 Warner T4
Seal 7412S
Set SET5
Needle Bearing Thrust FA55505
1986-1965 Warner T18
Seal 7412S
Bearing 308LI
Kwik Slv (Opt Rpr) KWK99125
1967-1955 Warner T98
Bearing 308LI

Rear Output Shaft

1989-1984 Aisin AX4: 4x4
Seal 1209N
Bearing 205BB
1988-1980 Tremec 176, 177, 178
Seal 3173
Bearing 308L
1986-1982 Warner T4
Seal 472439
Cone/Cup 25877-25821
1986-1965 Warner T18: 10-splines: 3.066"
OD
Seal 473468
Bearing 1308L
1986-1965 Warner T18: 31-splines: 2.381"
OD
Seal 9613S
Bearing 1308L
1973-1965 Warner T18: 6-splines: 3.068" OD
Seal 473468
Bearing 308L
1967-1955 Warner T98
Seal 450308
Bearing 1308L

5-SPEED MANUAL TRANSMISSION

Front Input Shaft

1989-1984 Aisin AX5
Seal 1981
Kwik Slv (Opt Rpr) KWK99114
1989-1987 Peugeot BA10/5
Seal Viton 710164
Kwik Slv (Opt Rpr) KWK99128
1986-1982 Warner T5
Seal 7412S
Set SET5
Kwik Slv (Opt Rpr) KWK99125
Needle Bearing Thrust FA55505

Rear Countershaft

1989 Aisin AX15
Cyl. Bearing (front) MSNB5305GTBV
1989-1984 Aisin AX5
Bearing (rear) 204
1986-1982 Warner T5
Needle Bearing (front) DK55836
Cyl. Bearing (rear) 5707
Needle Bearing Thrust NTA1423

Rear Output Shaft

1989 Aisin AX15: 4x2
Seal 710319
1989 Aisin AX15: 4x4
Seal 1209N
1989-1984 Aisin AX5: 4x2
Seal 710319
Bearing 205BB
1989-1984 Aisin AX5: 4x4
Seal 1209N
Bearing 205BB
1989-1987 Peugeot BA10/5
Seal 710319
1986-1982 Warner T5: 23-spline
Seal 472439
Cone/Cup 25877-25821
1986-1982 Warner T5: 26-spline
Seal 2506
Cone/Cup 25877-25821

ALTERNATOR

1989-1984 Delco-Remy 37, 42, 55, 63, 78
amp (Type I)
Bearing (drive end) 203S
1989-1983 Delco-Remy 42, 56, 63, 66, 78
amp (Type II)
Bearing (drive end) 203F
1989-1974 Delco-Remy 37, 42, 55, 63, 78
amp
Bearing (rear end) MNJ471S
1986-1980 Delco-Remy 37, 42, 55, 63 amp
(Type I)
Bearing (drive end) 203S
1979-1976 Motorcraft
Bearing (drive end) 203FF

JEEP - FULL-SIZE WAGONEER, Grand Wagoneer, Wagoneer, Wagoneer Limited (cont.)

ALTERNATOR (cont.)

1979-1975	Delco-Remy 37, 42, 55, 63 amp (Type I)	
	Bearing (drive end)	203S
1979-1965	Motorola 35, 37, 51, 55, 62 amp	
	Bearing (drive end)	203FS
1977-1976	Motorcraft	
	Bearing (rear end)	MNJ471S
1973-1965	Leece-Neville 35, 40, 55 amp	
	Bearing (rear end)	MNJ471S
1973-1962	Leece-Neville 35, 40, 55 amp	
	Bearing (drive end)	203FF

CRANKSHAFT REAR SEAL

4 Cylinder

1989-1984	150/2.5L	
	Seal Viton	716445
	Kwik Slv (Opt Rpr)	KWK99294
1987-1985	2068cc/2.1L (Turbo Diesel)	
	Seal Viton	229005
	Kwik Slv (Opt Rpr)	KWK99354

6 Cylinder

1989-1966	232/3.8L, 242/4.0L, 258/4.2L	
	Seal	5115
1986-1985	173/2.8L 2nd design	
	Seal	4307V
	Seal PTFE H/D Opt.	5273
	Kwik Slv (Opt Rpr)	KWK99298
1985-1984	173/2.8L 1st design	
	Seal	5210

8 Cylinder

1989-1971	304/5.0L, 360/5.9L, 401/6.6L	
	Seal Split	5112S
1971-1968	350/5.7L	
	Seal Split	5112S

TIMING COVER

4 Cylinder

1989-1984	150/2.5L	
	Seal	321460
	Kwik Slv (Opt Rpr)	KWK99179
	Harmonic Balancer	
	Sleeves Opt.	88179

TIMING COVER (cont.)

4 Cylinder (cont.)

1987-1985	2068cc/2.1L (Turbo Diesel)	
	Seal Viton	225020
	Kwik Slv (Opt Rpr)	KWK99196
1965-1957	134/2.2L	
	Seal	471504
	Kwik Slv (Opt Rpr)	KWK99174

6 Cylinder

1989-1980	232/3.8L, 242/4.0L, 258/4.2L	
	Seal	321460
	Kwik Slv (Opt Rpr)	KWK99179
1986-1984	173/2.8L	
	Seal	9845
	Kwik Slv (Opt Rpr)	KWK99176
1967-1962	230/3.8L	
	Seal	450096
	Kwik Slv (Opt Rpr)	KWK99205
1965-1954	226/3.7L	
	Seal	471504
	Kwik Slv (Opt Rpr)	KWK99172

8 Cylinder

1989-1971	304/5.0L, 360/5.9L, 401/6.6L	
	Seal	472341
	Kwik Slv (Opt Rpr)	KWK99200
1972-1971	304/5.0L	
	Seal	472341
	Kwik Slv (Opt Rpr)	KWK99200
1971-1968	350/5.7L	
	Seal	472341
	Kwik Slv (Opt Rpr)	KWK99200
1968-1965	327/5.3L	
	Seal	481195
	Kwik Slv (Opt Rpr)	KWK99193

JEEP - TRUCK - Comanche, FC Series, Gladiator, J Series, Pickup Truck, Sedan Delivery, Utility Wagon

FRONT WHEEL

2WD

1989-1984	Comanche	
	Seal (inner)	6815[2]
	Set (inner)	SET6
	Set (outer)	SET2

FRONT WHEEL (cont.)

2WD (cont.)

1973-1972	exc. Camper	
	Seal (inner)	8430S[2]
	Set (inner)	SET45
	Set (outer)	SET37

Bearings and Seals

Mfg./Year Model & Location Part No Mfg./Year Model & Location Part No

JEEP - TRUCK - Comanche, FC Series, Gladiator, J Series, Pickup Truck, Sedan Delivery, Utility Wagon (cont.)

FRONT WHEEL (cont.)

2WD (cont.)

1973-1969	Camper	
Seal (inner)	40316S[2]
Cone/Cup (inner)	18690-18620[2]
Cone/Cup (outer)	18685-18620[2]
1971-1963	with Heavy Duty suspension	
Seal (inner)	8430S[2]
Cone/Cup (inner)	24780-24720[2]
Set (outer)	SET45
1971-1963	with standard suspension	
Seal (inner)	8430S[2]
Set	SET45[2]
1971-1963	J162: standard suspension	
Seal (inner)	8430S[2]
Set	SET45[2]
1965-1952	475, 6-226	
Cone/Cup (inner)	14125A-14274[2]
Cone/Cup (outer)	09074-09194[2]
1956-1952	685	
Cone/Cup (inner)	15118-15250X[2]
Cone/Cup (outer)	09074-09194[2]

4WD

1989-1977	Dana/Spicer 44-1F axle	
Seal (inner)	471271[2]
Cone/Cup (inner)	LM104949-JLM104910[2]
Set (outer)	SET45
1989-1984	Comanche, Pickup: Dana/Spicer 30 axle: complete unit hub assembly	
Hub Assy	513107[2]
1989-1984	Comanche, Pickup: Dana/Spicer 30 axle: component bearings for OEM hub assembly	
Seal (inner)	4122[2]
Cone/Cup (inner)	JLM603048F-JLM603013Z[2]
Seal (middle)	4019N[2]
Seal (outer)	3942[2]
Cone/Cup (outer)	JLM603048F-JLM603013Z[2]
1988-1981	J20	
Seal (inner)	471271[2]
Cone/Cup (inner)	LM104949-JLM104910[2]
Set (outer)	SET45
1980	J20: early	
Seal (inner)	471271[2]
Set (inner)	SET38
Set (outer)	SET45
1980	J20: late	
Seal (inner)	471271[2]
Cone/Cup (inner)	LM104949-JLM104910[2]
Set (outer)	SET45
1977-1974	drum brakes exc. J20	
Seal (inner)	442380[2]
Set (inner)	SET37
Set (outer)	SET45
1977-1974	disc brakes exc. J20	
Seal (inner)	471271[2]
Set (inner)	SET37
Set (outer)	SET45

FRONT WHEEL (cont.)

4WD (cont.)

1977-1974	J20	
Seal (inner)	416273[2]
Cone/Cup (inner)	368A-362A[2]
Set (outer)	SET45
1973-1969	Camper	
Seal (inner)	40316S[2]
Cone/Cup (inner)	18690-18620[2]
Cone/Cup (outer)	18685-18620[2]
1973-1962	Standard suspension	
Seal (inner)	8430S[2]
Set (inner)	SET45
Set (outer)	SET45
1973-1962	Heavy Duty suspension	
Seal (inner)	8430S[2]
Cone/Cup (inner)	24780-24720[2]
Set (outer)	SET45
1961-1947		
Cone/Cup (inner)	18590-18520[2]
Cone/Cup (outer)	18590-18520[2]

REAR WHEEL

1989-1974	Dana/Spicer 60 axle: tapered axle shaft	
Seal (inner)	455860[2]
Cone/Cup (inner)	28578-28522[2]
Cone/Cup (outer)	18690-18620[2]
1989-1962	Dana/Spicer 44: flanged axle shaft	
Seal	2689S[2]
Set	SET10
1989-1967	Comanche: Dana/Spicer 44: flanged axle shaft	
Seal	2689S[2]
Set	SET10
1989-1984	Dana/Spicer 35 axle	
Seal	712146[2]
Set	SET9
1988-1980	J20: Dana/Spicer 60 axle	
Seal (inner)	455860[2]
Cone/Cup (inner)	28678-28622[2]
Cone/Cup (outer)	18690-18620[2]
1988-1980	J20: Dana/Spicer 44 axle	
Seal (inner)	40286[2]
Cone/Cup (inner)	26882T-25822[2]
Seal (outer)	5329[2]
1985-1963	J2000, J10: Dana/Spicer 44: flanged axle shaft	
Seal (inner)	481837[2]
Set (inner)	SET10
Seal (outer)	9912S[2]
1973	Camper Special	
Seal (inner)	475458[2]
Cone/Cup (outer)	359S-354A[2]
Cone/Cup (inner)	370A-362A[2]
1973-1970	Dana/Spicer 60-2 axle	
Cyl. Bearing	RSN1584EV[2]

JEEP - TRUCK - Comanche, FC Series, Gladiator, J Series, Pickup Truck, Sedan Delivery, Utility Wagon (cont.)

REAR WHEEL (cont.)

1973-1963	J Series: Dana/Spicer 60 & 70 flanged axles	
	Seal (inner)	455009[2]
	Cone/Cup (inner)	368A-362A[2]
	Cone/Cup (outer)	387A-382A[2]
1973-1963	J Series: Dana/Spicer 44-1 & 53 axles	
	Seal (inner)	40286[2]
	Cone/Cup (outer)	26882T-26822[2]
1973-1963	J162, J164-4x4: tapered axle shaft	
	Seal	7245[2]
	Cone/Cup	25877-25821[2]
1971-1963	J Series: Dana/Spicer 44-1 standard axle	
	Seal	7245[2]
	Cone/Cup	25877-25821[2]
1965-1962	4x4-75	
	Cone/Cup	25877-25821[2]
1965-1956	FC170 4x4: Heavy Duty axle	
	Seal (inner)	455009[2]
	Cone/Cup (inner)	387A-382A[2]
	Cone/Cup (outer)	368A-362A[2]
1965-1956	FC170 4x4: standard axle	
	Seal (inner)	40286[2]
	Cone/Cup (outer)	26882T-26822[2]
1965-1956	FC150 4x4	
	Seal (inner)	42763[2]
	Cone/Cup (outer)	25877-25821[2]
1965-1952	4x2-75, 475, 685	
	Seal (inner)	40769S[2]
	Cone/Cup (outer)	25877-25821[2]
1965-1947	4x4 exc. FC Series	
	Seal (inner)	40286[2]
	Cone/Cup (outer)	26882T-26822[2]
1962-1949	4x4-63, 4x4-73, 6-226, 4x4-6-226	
	Seal (inner)	47263[2]
	Cone/Cup (outer)	25877-25821[2]

4WD FRONT AXLE

Axle Shaft

1989-1985	Spicer 30-F (Disconnect)	
	Seal (LH)	710068
	Needle Bearing (LH)	BH208[2]
	Seal (RH)	710204
1989-1984	Spicer 30-F (Non-Disconnect)	
	Seal	710068[2]
1989-1974	Spicer 44-1F (2.250" O.D.)	
	Seal	5131[2]
1984	Spicer 30-F (Disconnect)	
	Seal (LH)	710068
	Needle Bearing (LH)	B5020[2]
	Seal (RH)	710204
1984-1974	Spicer 44-1F (2.620" O.D.)	
	Seal	2300[2]
1983-1974	Spicer 44-8F	
	Seal	472319[2]
1973-1962	Spicer 44-1F	
	Seal	5131[2]

4WD FRONT AXLE (cont.)

Axle Shaft (cont.)

1973-1954	Spicer 25F, 27AF, 27F	
	Seal	40576S[2]
1961-1954	Spicer 44-1F	
	Seal	40652S[2]

Differential Rebuild Kit

1989-1974	Dana/Spicer 30 axle Kit	DRK334
1989-1967	Dana/Spicer 44 axle Kit	DRK339B
1973-1963	Dana/Spicer 27 axle Kit	DRK197A

Differential

1989-1974	Dana/Spicer 30 axle Cone/Cup	LM501349-LM501314[2]
1989-1967	Dana/Spicer 44 axle Cone/Cup	25590-25523[2]
1973-1963	Dana/Spicer 27 axle Cone/Cup	LM501349-LM501311[2]
1972-1946	Dana/Spicer 25 axle Cone/Cup	24780-24721[2]
1966-1954	Dana/Spicer 44 axle Cone/Cup	25577-25523[2]

Pinion

1989-1974	Dana/Spicer 30 axle Cone/Cup (inner)	HM88649-HM88610
	Seal (outer)	5778
	Cone/Cup (outer)	02872-02820
1989-1954	Dana/Spicer 44 axle Cone/Cup (inner)	31594-31520
	Seal (outer)	5778
	Cone/Cup (outer)	02872-02820
1979-1946	Dana/Spicer 25 axle Cone/Cup (inner)	31594-31520
	Seal (outer)	5778
	Cone/Cup (outer)	02872-02820
1973-1972	Dana/Spicer 27F axle Cone/Cup (inner)	HM88649-HM88610
	Seal (outer)	5778
	Cone/Cup (outer)	M86647-M86610
1973-1963	Dana/Spicer 27AF axle Cone/Cup (inner)	HM88649-HM88610
	Seal (outer)	5778
	Cone/Cup (outer)	02872-02820

Spindle Kit

1989-1974	Bearing & Seal Kit	SBK1 ³³
------------------	--------------------------	--------------------

[] Indicates Quantity Required; Set Components Listed Inside Rear Cover;

³³ Opt. Kit incl: Bearing B2110; Seals 722108 & 722109

Bearings and Seals

Mfg./Year Model & Location Part No Mfg./Year Model & Location Part No

JEEP - TRUCK - Comanche, FC Series, Gladiator, J Series, Pickup Truck, Sedan Delivery, Utility Wagon (cont.)

4WD FRONT AXLE

Spindle

1989-1974	
Seal (inner)	722108[2]
Needle Bearing (inner)	B2110[2]
Seal (outer)	722109[2]
1973-1954	
Needle Bearing	B2110[2]

Steering Knuckle

1973-1946	Dana/Spicer 25, 27 axles
Seal	2064[4]
Cone/Cup	11590-11250[2]

REAR AXLE

Differential Rebuild Kit

1989-1961	Dana/Spicer 44 axle
Kit	DRK339B
1989-1984	Dana/Spicer 35 axle
Kit	DRK335J
1988-1970	Dana/Spicer 60 axle
Kit	DRK331
1986-1980	AMC 20 axle
Kit	DRK311J
1971-1962	Dana/Spicer 27 axle
Kit	DRK197A
1971-1957	Dana/Spicer 70 axle
Kit	DRK332

Differential

1989-1984	Dana/Spicer 35 axle
Cone/Cup	LM501349-LM501314[2]
1989-1974	Dana/Spicer 44 axle
Cone/Cup	25590-25523[2]
1989-1954	Dana/Spicer 44-1HD axle
Cone/Cup	25590-25523[2]
1988-1963	Dana/Spicer 60 axle
Cone/Cup	387A-382S[2]
1986-1976	AMC 20 axle
Set	SET36
1976-1957	Dana/Spicer 70 axle
Cone/Cup	387A-382S[2]
1973-1967	Dana/Spicer 44-1 axle: tapered axle shaft
Cone/Cup	25577-25523[2]
1973-1967	Dana/Spicer 44-1 axle: flanged shaft
Cone/Cup	25590-25523[2]
1973-1954	Dana/Spicer 53 axle
Cone/Cup	25590-25523[2]
1971-1966	Dana/Spicer 30 axle
Cone/Cup	LM501349-LM501311[2]
1971-1962	Dana/Spicer 27 axle
Cone/Cup	LM501349-LM501311[2]
1966-1957	Dana/Spicer 44-1 axle
Cone/Cup	25577-25523[2]
1961-1946	Dana/Spicer 25 axle
Cone/Cup	24780-24721[2]

REAR AXLE

Pinion

1989-1957	Dana/Spicer 44 axle
Cone/Cup (inner)	31594-31520
Seal (outer)	5778
Cone/Cup (outer)	02872-02820
1989-1984	Dana/Spicer 35 axle
Cone/Cup (inner)	HM88648-HM88610
Seal (outer)	470331N
Cone/Cup (outer)	M86649-M86610
1988-1980	Dana/Spicer 60-3 axle
Cone/Cup (inner)	HM803146-HM803110
Seal (outer)	9316
Cone/Cup (outer)	HM88542-HM88510
1986-1976	AMC 20 axle
Cone/Cup (inner)	M802048-M802011
Seal (outer)	470331N
Cone/Cup (outer)	M88048-M88010
1979-1970	Dana/Spicer 60-2 axle
Cone/Cup (inner)	HM803146-HM803110
Seal (outer)	9316
Cone/Cup (outer)	HM88542-HM88510
1974	Dana/Spicer 60-3 axle: 2nd design
Cone/Cup (inner)	HM803146-HM803110
Seal (outer)	9316
Cone/Cup (outer)	HM88542-HM88510
1974-1970	Dana/Spicer 60-3 axle: 1st design
Cone/Cup (inner)	HM803146-HM803110
Seal (outer)	6808N
Cone/Cup (outer)	HM88542-HM88510
1971-1966	Dana/Spicer 30 axle
Cone/Cup (inner)	HM88649-HM88610
Seal (outer)	5778
Cone/Cup (outer)	M86647-M86610
1971-1962	Dana/Spicer 27 axle
Cone/Cup (inner)	HM88649-HM88610
Seal (outer)	5778
Cone/Cup (outer)	02872-02820
1971-1957	Dana/Spicer 70 axle
Cone/Cup (inner)	HM807040-HM807010
Seal (outer)	6808N
Cone/Cup (outer)	HM88542-HM88510
1971-1954	Dana/Spicer 53 axle
Cone/Cup (inner)	3877-3820
Seal (outer)	5778
Cone/Cup (outer)	02872-02820
1961-1946	Dana/Spicer 25 axle
Cone/Cup (inner)	31594-31520
Seal (outer)	5778
Cone/Cup (outer)	02872-02820

TRANSFER CASE REBUILD KIT

1989-1986	New Process 231
Kit	TCRK231 ⁵¹
1989-1986	New Process 242: exc. cases 52098383/4/5
Kit	TCRK242
1989-1984	New Process 228
Kit	TCRK229

354 [] Indicates Quantity Required; Set Components Listed Inside Rear Cover;

⁵¹ BD50-8 I/S Brg.

JEEP - TRUCK - Comanche, FC Series, Gladiator, J Series, Pickup Truck, Sedan Delivery, Utility Wagon (cont.)

TRANSFER CASE REBUILD KIT (cont.)

1989-1984	New Process 229	
Kit	TCRK229
1988-1984	New Process 208	
Kit	TCRK208SPK ⁴⁷
1987-1984	New Process 207	
Kit	TCRK207
1979-1972	Dana/Spicer 20: 1.187" shaft	
Kit	TCRK20A

TRANSFER CASE

Input Shaft

1989-1986	New Process 231	
Seal	3173[2]
Bearing	N5210KLB
Seal Dual Lip Opt.	710928
Kwik Slv (Opt Rpr)	KWK99193
Needle Bearing (pilot)	SCH1810
1989-1986	New Process 242, 249 (1st design)	
Seal	3173[2]
Bearing	N5210KLB
Seal Dual Lip Opt.	710928
Kwik Slv (Opt Rpr)	KWK99193
Needle Bearing (pilot)	FC66561
1989-1981	New Process 228, 229	
Seal	3173[2]
Needle Bearing	B5020[2]
Seal Dual Lip Opt.	710928
Kwik Slv (Opt Rpr)	KWK99193
Needle Bearing (pilot)	B2012
Needle Bearing Thrust	NTA3244
1988-1980	New Process 208, 219	
Seal	3173[2]
Needle Bearing	B5020[2]
Seal Dual Lip Opt.	710928
Kwik Slv (Opt Rpr)	KWK99193
Needle Bearing (pilot)	B2012
Needle Bearing Thrust	AXK5070
1987-1984	New Process 207	
Seal	3173[2]
Needle Bearing	B3210[2]
Seal Dual Lip Opt.	710928
Kwik Slv (Opt Rpr)	KWK99193
1979-1974	Warner 1305	
Seal	5872S
Kwik Slv (Opt Rpr)	KWK99193

Front Output Shaft

1989-1986	New Process 231	
Seal	710046
Bearing	206WB
Kwik Slv (Opt Rpr)	KWK99155
Needle Bearing (pilot)	J2416
1989-1986	New Process 242	
Seal	3946
Bearing	207
Kwik Slv (Opt Rpr)	KWK99187
Needle Bearing (pilot)	J2416

TRANSFER CASE (cont.)

Front Output Shaft (cont.)

1989-1980	New Process 208, 219, 228, 229	
Seal	3946
Needle Bearing	B2816
Kwik Slv (Opt Rpr)	KWK99187
Needle Bearing (pilot)	J2416
Needle Bearing Thrust	NTA2840[2]
1987-1984	New Process 207	
Seal	710046
Bearing	206WB
Kwik Slv (Opt Rpr)	KWK99155
Needle Bearing (pilot)	B228
1979-1972	Spicer 20 (1.187" shaft)	
Seal	473229
Cone/Cup	14116-14276[2]
Kwik Slv (Opt Rpr)	KWK99156
1979-1972	Warner 1305	
Seal	473229
Kwik Slv (Opt Rpr)	KWK99156
1973-1954	Spicer 20 (1.312" shaft)	
Seal	450185
Cone/Cup	14131-14276[2]
Kwik Slv (Opt Rpr)	KWK99156

Rear Output Shaft

1989-1986	New Process 231	
Seal	2506
Bearing	206WB
Kwik Slv (Opt Rpr)	KWK99149
Needle Bearing (pilot)	B5020[2]
1989-1981	New Process 228, 229	
Seal	3946
Bearing	207
Kwik Slv (Opt Rpr)	KWK99187
Needle Bearing (pilot)	B3612
Needle Bearing Thrust	TC2435
1988-1980	New Process 208, 219 (slip yoke)	
Seal	4333N
Bearing	1207L
Needle Bearing (pilot)	B3616
Needle Bearing Thrust	TC2435
1988-1980	New Process 208, 219 (fixed yoke)	
Seal	3946
Bearing	1207L
Kwik Slv (Opt Rpr)	KWK99187
Needle Bearing (pilot)	B3616
Needle Bearing Thrust	TC2435
1987-1984	New Process 207	
Seal	4370N
Bearing	206WB
Kwik Slv (Opt Rpr)	KWK99149
Needle Bearing (pilot)	F4020
1979-1974	Spicer 20	
Cone/Cup (front)	25877-25821
Seal (rear)	473229
Cone/Cup (rear)	15117-15245
Kwik Slv (Opt Rpr)	KWK99156

[] Indicates Quantity Required; Set Components Listed Inside Rear Cover;

⁴⁷ Includes Small Parts Kit

Bearings and Seals

Mfg./Year Model & Location Part No Mfg./Year Model & Location Part No

JEEP - TRUCK - Comanche, FC Series, Gladiator, J Series, Pickup Truck, Sedan Delivery, Utility Wagon (cont.)

TRANSFER CASE (cont.)

Rear Output Shaft (cont.)

1979-1974	Warner 1305	
Seal	473229
Kwik Slv (Opt Rpr)	KWK99156
1973-1954	Spicer 20	
Cone/Cup (front)	25877-25821
Seal (rear)	450185
Cone/Cup (rear)	15117-15245
Kwik Slv (Opt Rpr)	KWK99156

TRANSMISSION REBUILD KIT

1984-1980	Tremec 176	
Kit	TRK175
1979-1967	Warner T15	
Kit	TRKBW15J

3-SPEED AUTOMATIC TRANSMISSION

Torque Converter

1989-1980	Chrysler A727	
Seal	331227H
Kwik Slv (Opt Rpr)	KWK99187
1979-1964	General Motors Turbo 400	
Seal	6712NA
Kwik Slv (Opt Rpr)	KWK99187

Rear Seal/Ext. Housing

1989-1980	Chrysler A727	
Seal	7300S
Bearing	207XLO
Seal Kit Opt.	5206 ⁶⁴
1986-1984	Chrysler A904, A999, 30RH	
Seal	2506
Bearing	206LOE ³⁸
1979-1964	General Motors Turbo 400: 1.687" shaft	
Seal	7038SA
Seal Kit Opt.	5201 ⁶⁴
1979-1964	General Motors Turbo 400: 1.890" shaft	
Seal	9449
Seal Kit Opt.	5208 ⁶⁴

Selector Shaft Seal/Man. Shaft

1989-1984	Chrysler A904, A999, 30RH, 31RH, 32RH	
Seal	8609
1979-1964	General Motors Turbo 400	
Seal	8792S

4-SPEED AUTOMATIC TRANSMISSION

Torque Converter

1989-1987	Aisin 03-40	
Seal	223830
Kwik Slv (Opt Rpr)	KWK99147

4-SPEED AUTOMATIC TRANSMISSION

Rear Seal/Ext. Housing

1989-1987	Aisin 03-40: 4x2	
Seal	710319
1989-1987	Aisin 03-40: 4x4	
Seal	225005

Selector Shaft Seal/Man. Shaft

1989-1987	Aisin 03-40	
Seal	221207
Kwik Slv (Opt Rpr)	KWK99049

CLUTCH

Pilot Bearing

1989-1986	4-cylinder 150 (2.5): AMC engine	
Needle Bearing	FC65446
1989-1987	6-cylinder 242 (4.0)	
Needle Bearing	FC66426
1989-1987	6-cylinder 258 (4.2)	
Needle Bearing	FC66426
1985-1980	6-cylinder 258 (4.2)	
Bushing	PB79
1979-1976	6-cylinder 258 (4.2)	
Bushing H/D	PB76HD
1975-1972	6-cylinder 258 (4.2)	
Bushing H/D	PB77HD
1975-1972	8-cylinder 304 (5.0)	
Bushing H/D	PB77HD
1971	6-cylinder 232 (3.8)	
Bushing	PB74
1971	6-cylinder 258 (4.2)	
Bushing	PB74
1971	8-cylinder 304 (5.0)	
Bushing	PB74
1966	6-cylinder 225 (3.7)	
Bushing H/D	PB656HD

Release Bearing

1989-1987	4-cylinder 150 (2.5): hydraulic piston type	
Hydraulic Bearing Assy	619007 ⁵⁸
1988-1987	6-cylinder 258 (4.2): hydraulic piston type	
Hydraulic Bearing Assy	619002 ⁵⁸
1986-1984	4-cylinder 150 (2.5): AMC engine	
Bearing Assy	614030
1986-1979	6-cylinder 258 (4.2): diaphragm pressure plate	
Bearing Assy	614115
1978-1976	6-cylinder 258 (4.2): 3-lever pressure plate	
Bearing Assy	614034
1978-1976	6-cylinder 258 (4.2): diaphragm pressure plate	
Bearing Assy	614115
1975-1971	6-cylinder 258 (4.2)	
Bearing Assy	RB01658C
1973-1972	6-cylinder 232 (3.8)	
Bearing Assy	1377C

356 [] Indicates Quantity Required; Set Components Listed Inside Rear Cover;

³⁸ Use Old Snap Ring ⁵⁸ Hydraulic Unit ⁶⁴ Opt. Seal and Bushing Kit

JEEP - TRUCK - Comanche, FC Series, Gladiator, J Series, Pickup Truck, Sedan Delivery, Utility Wagon (cont.)

CLUTCH (cont.)

Release Bearing (cont.)

1973-1971	8-cylinder 304 (5.0)	
	Bearing Assy	R1625C
1971	6-cylinder 232 (3.8)	
	Bearing Assy	RB01658C
1971-1946	4-cylinder	
	Bearing Only	W1505C
1968-1962	8-cylinder 327	
	Bearing Only	NH1752C
1966	6-cylinder 225 (3.7)	
	Bearing Assy	1377C
1965-1962	6-226, F170: 4x4	
	Bearing Only	1562C
1965-1946	exc. 1962- 1965: 6-226, F170 & 1963- 1964: J-262, J-364	
	Bearing Only	W1505C
1964-1963	J-262, J364: 4x4	
	Bearing Only	1562C

3-SPEED MANUAL TRANSMISSION

Front Input Shaft

1979-1967	Warner T15	
	Seal	482208
	Bearing	308LI
	Kwik Slv (Opt Rpr)	KWK99112
1975-1967	Warner T14	
	Seal	482208
	Bearing	N307LOE
	Kwik Slv (Opt Rpr)	KWK99112
1967-1961	Warner T96	
	Bearing	207LO
1967-1954	Warner T85, T86, T89	
	Seal	482208
	Bearing	207L
	Kwik Slv (Opt Rpr)	KWK99112
1967-1954	Warner T90	
	Bearing	208L

Rear Output Shaft

1979-1967	Warner T15	
	Seal	470059
	Bearing	308LOE
	Seal Kit Opt.	5201 ⁶⁴
1975-1967	Warner T14	
	Seal	470059
	Bearing	1207LOE
	Seal Kit Opt.	5201 ⁶⁴
1967-1961	Warner T96: non-overdrive	
	Seal	8160S
	Bearing	206L
1967-1954	Warner T86: 16-splines	
	Seal	9613S
	Bearing	207L
1967-1954	Warner T90: 6-splines	
	Seal	8160S
	Bearing	1307
1967-1954	Warner T90: 16-splines	
	Seal	9613S
	Bearing	207L

3-SPEED MANUAL TRANSMISSION (cont.)

Rear Output Shaft (cont.)

1964	Warner T96	
	Seal	8160S
	Bearing	206L
1964-1962	Warner T86: 6-splines	
	Seal	8160S
	Bearing	307TB
1964-1962	Warner T86: 10-splines	
	Seal	8160S
	Bearing	206L
1963-1961	Warner T96: with overdrive	
	Seal	8160S
	Bearing	206WB

Selector Shaft Seal/Man. Shaft

1979-1946	Warner T14, T15, T86, T90, T96	
	Seal	340797

4-SPEED MANUAL TRANSMISSION

Transmission Rebuild Kit

1986-1965	Warner T18	
	Kit	TRK82F

Input Shaft

1989-1984	Aisin AX4	
	Seal	1981
	Kwik Slv (Opt Rpr)	KWK99114
1988-1980	Tremec 176, 177, 178	
	Seal	3638
	Bearing	209L
	Kwik Slv (Opt Rpr)	KWK99112
1986-1982	Warner T4	
	Seal	7412S
	Set	SET5
	Needle Bearing Thrust	FA55505
1986-1965	Warner T18	
	Seal	7412S
	Bearing	308LI
	Kwik Slv (Opt Rpr)	KWK99125
1967-1955	Warner T98	
	Bearing	308LI

Rear Output Shaft

1989-1984	Aisin AX4: 4x4	
	Seal	1209N
	Bearing	205BB
1988-1980	Tremec 176, 177, 178	
	Seal	3173
	Bearing	308L
1986-1982	Warner T4	
	Seal	472439
	Cone/Cup	25877-25821
1986-1965	Warner T18: 10-splines: 3.066" OD	
	Seal	473468
	Bearing	1308L

[] Indicates Quantity Required; Set Components Listed Inside Rear Cover;
⁶⁴ Opt. Seal and Bushing Kit

Bearings and Seals

Mfg./Year Model & Location Part No Mfg./Year Model & Location Part No

JEEP - TRUCK - Comanche, FC Series, Gladiator, J Series, Pickup Truck, Sedan Delivery, Utility Wagon (cont.)

4-SPEED MANUAL TRANSMISSION

(cont.)

Rear Output Shaft (cont.)

1986-1965	Warner T18: 31-splines: 2.381" OD	
	Seal	9613S
	Bearing	1308L
1973-1965	Warner T18: 6-splines: 3.068" OD	
	Seal	473468
	Bearing	308L
1967-1955	Warner T98	
	Seal	450308
	Bearing	1308L

5-SPEED MANUAL TRANSMISSION

Front Input Shaft

1989-1984	Aisin AX5	
	Seal	1981
	Kwik Slv (Opt Rpr)	KWK99114
1989-1987	Peugeot BA10/5	
	Seal Viton	710164
	Kwik Slv (Opt Rpr)	KWK99128
1986-1982	Warner T5	
	Seal	7412S
	Set	SET5
	Kwik Slv (Opt Rpr)	KWK99125
	Needle Bearing Thrust	FA55505

Rear Countershaft

1989	Aisin AX15	
	Cyl. Bearing (front)	MSNB5305GTBV
1989-1984	Aisin AX5	
	Bearing (rear)	204
1986-1982	Warner T5	
	Needle Bearing (front)	DK55836
	Cyl. Bearing (rear)	5707
	Needle Bearing Thrust	NTA1423

Rear Output Shaft

1989	Aisin AX15: 4x2	
	Seal	710319
1989	Aisin AX15: 4x4	
	Seal	1209N
1989-1984	Aisin AX5: 4x2	
	Seal	710319
	Bearing	205BB
1989-1984	Aisin AX5: 4x4	
	Seal	1209N
	Bearing	205BB
1989-1987	Peugeot BA10/5	
	Seal	710319
1986-1982	Warner T5: 23-spline	
	Seal	472439
	Cone/Cup	25877-25821
1986-1982	Warner T5: 26-spline	
	Seal	2506
	Cone/Cup	25877-25821

ALTERNATOR

1988-1983	Delco-Remy 42, 56, 63, 66, 78 amp (Type II)	
	Bearing (drive end)	203F
1988-1980	Delco-Remy 37, 42, 55, 63, 78 amp	
	Bearing (rear end)	MNJ471S
1986-1980	Delco-Remy 37, 42, 55, 63 amp (Type I)	
	Bearing (drive end)	203S

CRANKSHAFT REAR SEAL

4 Cylinder

1989-1984	150/2.5L	
	Seal Viton	716445
	Kwik Slv (Opt Rpr)	KWK99294
1987-1985	2068cc/2.1L (Turbo Diesel)	
	Seal Viton	229005
	Kwik Slv (Opt Rpr)	KWK99354

6 Cylinder

1989-1966	232/3.8L, 242/4.0L, 258/4.2L	
	Seal	5115
1986	173/2.8L 2nd design	
	Seal	4307V
	Seal PTFE H/D Opt.	5273
	Kwik Slv (Opt Rpr)	KWK99298

8 Cylinder

1989-1971	304/5.0L, 360/5.9L, 401/6.6L	
	Seal Split	5112S
1971-1968	350/5.7L	
	Seal Split	5112S

TIMING COVER

4 Cylinder

1989-1984	150/2.5L	
	Seal	321460
	Kwik Slv (Opt Rpr)	KWK99179
1987-1985	2068cc/2.1L (Turbo Diesel)	
	Seal Viton	225020
	Kwik Slv (Opt Rpr)	KWK99196
1965-1957	134/2.2L	
	Seal	471504
	Kwik Slv (Opt Rpr)	KWK99174

6 Cylinder

1989-1980	258/4.2L, 242/4.0L	
	Seal	321460
	Kwik Slv (Opt Rpr)	KWK99179
1986-1984	173/2.8L	
	Seal	9845
	Kwik Slv (Opt Rpr)	KWK99176
1967-1962	230/3.8L	
	Seal	450096
	Kwik Slv (Opt Rpr)	KWK99205
1965-1954	226/3.7L	
	Seal	471504
	Kwik Slv (Opt Rpr)	KWK99172

Mfg./Year Model & Location Part No Mfg./Year Model & Location Part No

JEEP - TRUCK - Comanche, FC Series, Gladiator, J Series, Pickup Truck, Sedan Delivery, Utility Wagon (cont.)

TIMING COVER

8 Cylinder

1989-1971 304/5.0L, 360/5.9L, 401/6.6L
 Seal 472341
 Kwik Slv (Opt Rpr)KWK99200
1972-1971 304/5.0L
 Seal 472341
 Kwik Slv (Opt Rpr)KWK99200
1971-1968 350/5.7L
 Seal 472341
 Kwik Slv (Opt Rpr)KWK99200

TIMING COVER (cont.)

8 Cylinder (cont.)

1968-1965 327/5.3L
 Seal 481195
 Kwik Slv (Opt Rpr)KWK99193

JENSEN / JENSEN-HEALEY

FRONT WHEEL

1976-1971 Interceptor
 Set (inner)SET6
 Set (outer)SET2
1975-1972 Healey
 Set (inner)SET4
 Set (outer)SET1

REAR WHEEL

1975-1972 Healey
 Bearing RW109R[2]

KAISER - includes Henry J, see also Frazer

FRONT WHEEL

1955-1949
 Cone/Cup (inner) 15123-15245[2]
 Cone/Cup (outer) 09067-09195[2]
1948-1946
 Cone/Cup (inner) 14125A-14276[2]
 Cone/Cup (outer) 09074-09194[2]

REAR WHEEL

1955-1947
 Cone/Cup 25877-25821[2]

REAR AXLE

Differential

1955-1947
 Cone/Cup 25577-25523[2]

Pinion

1955-1947
 Cone/Cup (inner) 31593-31520
 Cone/Cup (outer) 02872-02820

CLUTCH

Release Bearing

1966-1947 exc. Henry J: bearing only
 Bearing OnlyCB1104

CLUTCH (cont.)

Release Bearing (cont.)

1955-1947 exc. Henry J: bearing and collar
 Bearing Only 1562C
1954-1951 Henry J: bearing and collar
 Bearing Only CB1341C
1954-1951 Henry J: bearing only
 Bearing Only CB1054

Bearings and Seals

Mfg./Year Model & Location Part No Mfg./Year Model & Location Part No

LADA

FRONT WHEEL

1989-1987 Samura, Signet
 Set SET35
1989-1981 Niva truck
 Bearing Assy (inner) 32008XM[2]
 Bearing Assy (outer) 32008XM[2]
1989-1981 1500S
 Seal (inner) 472213[2]
 Cone/Cup (inner) 15579X-15520[2]
 Set (outer) SET2

REAR WHEEL

1989-1987
 Bearing 513116[2]
1986-1981
 Seal 1981[2]
 Bearing 306FF[2]
1979-1966
 Seal 1981[2]
 Bearing RW103R[2]

REAR AXLE

Pinion

1988-1979
 Cone/Cup (inner) 23690-23620
 Cone/Cup (outer) 02473X-02419

CLUTCH

Release Bearing

1989-1975
 Bearing Only FI1709C

ALTERNATOR

1989-1979
 Bearing (drive end) 302CC
 Bearing (rear end) 201CC

LAMBORGHINI

REAR AXLE

Differential

1989-1988 Countach
 Cone/Cup JM207049-JM207010[2]

REAR AXLE

Pinion

1989-1988 Countach
 Cone/Cup (inner) M802048-M802011
 Cone/Cup (outer) HM88649-HM88610

LANCIA

FRONT WHEEL

1983-1979 Zagato Series
 Bearing 513116[2]
1974-1966 Appia Series III
 Bearing (inner) 305AG[2]
 Bearing (outer) 303BB[2]
1965-1956 Appia Series I, II
 Bearing (inner) 5205KE[2]
 Bearing (outer) 303BB[2]

REAR WHEEL

1983-1979 Zagato Series
 Bearing 513116[2]
1974-1956 Appia Series I, II, III
 Bearing 206WB[2]

CLUTCH

Release Bearing

1989-1984 Thema
 Bearing Only FI1710C
1988-1983 Prisma
 Bearing Only FI1710C
1988-1979 Delta
 Bearing Only FI1710C

CLUTCH (cont.)

Release Bearing (cont.)

1983-1979 Zagato
 Bearing Only FI1709C
1982-1974 Beta
 Bearing Only FI1709C
1978-1976 Scorpion
 Bearing Only FI1709C

ALTERNATOR

1982-1980 Bosch
 Bearing (drive end) 303S
 Bearing (rear end) 201S

LINCOLN - FRONT DRIVE - Continental

FRONT WHEEL

1989-1988 To 1/91
 Bearing Assy 513058[2]³¹
 Set SET49⁵⁵
 Hub Assy Opt. 520000[2]

REAR WHEEL

1989-1988
 Seal (inner) 6815[2]
 Set (inner) SET6
 Set (outer) SET12

4-SPEED AUTOMATIC TRANSAXLE

Differential

1989-1988
 Bearing 208[2]

Torque Converter

1989-1988
 Seal 4189H

Output Shaft

1989-1988
 Seal 3622S[2]
 Kwik Slv (Opt Rpr) KWK99169[2]

ALTERNATOR

1989-1988 Motorcraft
 Bearing (drive end) 203FF
1989-1988 Motorcraft
 Bearing (rear end) MNJ471S

POWER STEERING

Input Shaft

1989-1988
 Seal 471645
 Needle Bearing FC65753

POWER STEERING

Pitman Shaft

1989-1988
 Seal 710504

Pump Shaft

1989-1988
 Seal 8773S

Worm Shaft

1989-1988
 Bearing 201CC

CRANKSHAFT REAR SEAL

6 Cylinder

1989-1988 232/3.8L
 Seal Viton 3909
 Seal PTFE H/D Opt. 5277
 Kwik Slv (Opt Rpr) KWK99363

TIMING COVER

6 Cylinder

1989-1988 232/3.8L
 Seal (front entry) 2692
 Seal (rear entry) 2942
 Kwik Slv (Opt Rpr) KWK99187
 Harmonic Balancer
 Sleeves 88187

LINCOLN - REAR DRIVE - Continental, Mark Series, Town Car, Versailles

FRONT WHEEL

1989-1982 exc. Town Car
 Seal (inner) 9150S[2]
 Set (inner) SET5
 Set (outer) SET12
1989-1982 Town Car
 Seal (inner) 6815[2]
 Set (inner) SET11
 Set (outer) SET12
1981-1974 exc. Versailles
 Seal (inner) 6815[2]
 Set (inner) SET11
 Set (outer) SET12
1980-1977 Versailles
 Seal (inner) 6815[2]
 Set (inner) SET13
 Set (outer) SET12

FRONT WHEEL (cont.)

1973-1970
 Seal (inner) 6815[2]
 Set (inner) SET13
 Set (outer) SET12
1969-1968 Mark III
 Seal (inner) 6815[2]
 Set (inner) SET6
 Set (outer) SET2
1969-1961 exc. Mark III
 Seal (inner) 9150S[2]
 Set (inner) SET5
 Set (outer) SET3
1960-1958
 Set (inner) SET5
 Set (outer) SET3

[] Indicates Quantity Required; Set Components Listed Inside Rear Cover;

³¹ When depleted use number listed directly below ⁵⁵ Opt. Replacement If 513058 Is Unavailable

Bearings and Seals

Mfg./Year Model & Location Part No Mfg./Year Model & Location Part No

LINCOLN - REAR DRIVE - Continental, Mark Series, Town Car, Versailles (cont.)

FRONT WHEEL (cont.)

1957-1951
 Seal (inner) 6429[2]
 Cone/Cup (inner) 14130-14276[2]
 Cone/Cup (outer) 12580-12520[2]

REAR WHEEL

1989-1981 Town Car exc. Limousine chassis
 Seal 8660S[2]
 Cyl. Bearing 5707[2]
 Kit Opt. TRP1563TAV[2]¹⁹

1989-1980 exc. Limousine chassis
 Seal 8660S[2]
 Cyl. Bearing 5707[2]
 Kit Opt. TRP1563TAV[2]¹⁹

1980-1978 9" ring gear: OEM ball bearing
 Seal 51098[2]
 Bearing 514003P[2]

1979-1974 rear disc brakes
 Seal 3195[2]
 Set SET20

1976-1974 rear drum brakes
 Seal 3195[2]
 Set SET20

1973
 Seal 51098[2]
 Bearing 514003P[2]

1972
 Seal 9363S[2]
 Bearing RW207CCRA[2]

1971-1970
 Seal 51098[2]
 Bearing 514003P[2]

1969 exc. Mark III
 Seal 482253[2]
 Bearing RW509FR[2]

1969 Mark III
 Seal 51098[2]
 Bearing 514003P[2]

1968-1961
 Seal 482253[2]
 Bearing RW509FR[2]

1960-1949
 Seal 51098[2]
 Bearing 514003P[2]

REAR AXLE

Differential Rebuild Kit

1989-1980 8.5", 8.8" ring gears
 Kit DRK311

1987-1982 7.5" ring gear
 Kit DRK315

Differential

1989-1981 Town Car
 Set SET36[2]

1988-1984 exc. Town Car
 Cone/Cup LM501349-LM501314[2]

1983-1982 exc. Continental
 Set SET36[2]

REAR AXLE (cont.)

Differential (cont.)

1983-1982 Continental
 Cone/Cup LM501349-LM501314[2]

1981-1980 8.5" ring gear
 Set SET36[2]

1979-1973
 Set SET47[2]

1972 Heavy Duty axle
 Cone/Cup 25590-25520[2]

1972 Standard axle
 Set SET47[2]

1971-1966
 Cone/Cup 25590-25520[2]

1965-1949
 Cone/Cup 25590-25527[2]

Pinion

1989-1980
 Cone/Cup (inner) M802048-M802011
 Seal Viton (outer) 3604
 Cone/Cup (outer) M88048-M88010
 Cyl. Bearing (pilot) R1535TAV

1979-1973
 Cone/Cup (inner) M88048-M88010
 Seal (outer) 7044NA
 Cone/Cup (outer) M88048-M88010
 Cyl. Bearing (pilot) R1535TAV

1972-1966
 Cone/Cup (inner) HM89444-HM89410
 Seal (outer) 7044NA
 Cone/Cup (outer) M88048-M88010
 Cyl. Bearing (pilot) M5204TV

1965-1964
 Cone/Cup (inner) 3877-3820
 Seal (outer) 6808N
 Cone/Cup (outer) HM88542-HM88510

1963-1949
 Cone/Cup (inner) 3877-3820
 Seal (outer) 5778
 Cone/Cup (outer) 02872-02820

AUTOMATIC TRANSMISSION

Torque Converter

1954-1949 Hydramatic
 Seal 450725N²⁰

Rear Seal/Ext. Housing

1954-1949 Hydramatic
 Seal 7038SA
 Bearing 106WB
 Seal Kit 5205⁶⁴

3-SPEED AUTOMATIC TRANSMISSION

Torque Converter

1980-1966 C6
 Seal 331107N
 Kwik Slv (Opt Rpr) KWK99199

362 [] Indicates Quantity Required; Set Components Listed Inside Rear Cover;

¹⁹ Opt. Axle Repair Bearing. Replaces O.E. bearing & seal.

²⁰ Not currently in production; check for availability

⁶⁴ Opt. Seal and Bushing Kit

LINCOLN - REAR DRIVE - Continental, Mark Series, Town Car, Versailles (cont.)

3-SPEED AUTOMATIC TRANSMISSION (cont.)

Torque Converter (cont.)

1965-1955	Ford-o-Matic	
Seal	6988H
Kwik Slv (Opt Rpr)	KWK99193

Rear Seal/Ext. Housing

1980-1966	C6	
Seal	7300S
Seal Kit	5203 ⁶⁴
1965-1955	Ford-o-Matic	
Seal	7692S
Seal Kit	5202 ⁶⁴

Selector Shaft Seal/Man. Shaft

1980-1955		
Seal	7929S

4-SPEED AUTOMATIC TRANSMISSION

Torque Converter

1989-1981	AOT (AOD)	
Seal	331107N
Kwik Slv (Opt Rpr)	KWK99199
1985-1984	ZF 4HP-22	
Seal	224015
Kwik Slv (Opt Rpr)	KWK99157

Rear Seal/Ext. Housing

1989-1981	AODE	
Seal	7692S
Seal Kit	5202 ⁶⁴
1989-1981	AOT (AOD): long boot	
Seal	7692S
Seal Kit	5202 ⁶⁴
1985-1984	ZF 4HP-22	
Seal	2655

Selector Shaft Seal/Man. Shaft

1989-1981		
Seal	7929S

CLUTCH

Release Bearing

1950-1935		
Bearing Only	2065C

3-SPEED MANUAL TRANSMISSION

Front Input Shaft

1951-1949	Warner T89	
Bearing	307L
1951-1949	Warner T86	
Seal	450326
Bearing	207L
Kwik Slv (Opt Rpr)	KWK99149

3-SPEED MANUAL TRANSMISSION

Rear Output Shaft

1951-1949	Warner T89	
Seal	450308
Bearing	307L
1951-1949	Warner T86	
Seal	470059
Bearing	207L
Seal Kit	5201 ⁶⁴

Selector Shaft Seal/Man. Shaft

1951-1949		
Seal	340797
Kwik Slv (Opt Rpr)	KWK99059

ALTERNATOR

1989-1980	Motorcraft	
Bearing (drive end)	203FF
1989-1980	Motorcraft	
Bearing (rear end)	MNJ471S

CRANKSHAFT REAR SEAL

6 Cylinder

1984	2443cc/2.4L (diesel)	
Seal Viton	229005
Kwik Slv (Opt Rpr)	KWK99354
1982	232/3.8L	
Seal Rope	5095
Seal Split	5108

8 Cylinder

1989-1984	281/4.6L, 302/5.0L	
Seal Viton	3909
Seal PTFE H/D Opt.	5277
Kwik Slv (Opt Rpr)	KWK99363
1983	302/5.0L Thru 11/82	
Seal Rope	5095
Seal Split Opt.	5108
1983	302/5.0L From 11/82	
Seal Viton	3909
Seal PTFE H/D Opt.	5277
Kwik Slv (Opt Rpr)	KWK99363
1982-1977	302/5.0L, 351/5.8L	
Seal Rope	5095
Seal Split Opt.	5108
1979-1977	400/6.6L	
Seal Rope	5095
Seal Split Opt.	5117
1978-1972	460/7.5L	
Seal Rope	5095
Seal Split Opt.	5118

TIMING COVER

6 Cylinder

1984	2443cc/2.4L (diesel)	
Seal Viton	716484
Kwik Slv (Opt Rpr)	KWK99189

[] Indicates Quantity Required; Set Components Listed Inside Rear Cover;
⁶⁴ Opt. Seal and Bushing Kit

Bearings and Seals

Mfg./Year Model & Location Part No Mfg./Year Model & Location Part No

LINCOLN - REAR DRIVE - Continental, Mark Series, Town Car, Versailles (cont.)

TIMING COVER (cont.)

6 Cylinder (cont.)

1982 232/3.8L
 Seal (front entry)2692
 Seal (rear entry)2942
 Kwik Slv (Opt Rpr)KWK99187
 Harmonic Balancer
 Sleeves88187

8 Cylinder

1989-1981 281/4.6L
 Seal482041N
 Kwik Slv (Opt Rpr)KWK99187
 Harmonic Balancer
 Sleeves88187

TIMING COVER (cont.)

8 Cylinder (cont.)

1989-1972 302/5.0L, 351/5.8L, 400/6.6L,
 460/7.5L
 Seal (front entry)2692
 Seal (rear entry)2942
 Kwik Slv (Opt Rpr)KWK99187
 Harmonic Balancer
 Sleeves88187

LLOYD

REAR WHEEL

1960-1956 600
 Bearing205BB[2]

LOTUS

FRONT WHEEL

1989-1981 Esprit
 Set (inner)SET4
 Set (outer)SET2
1981-1976 Eclat
 Set (inner)SET4
 Set (outer)SET2
1981-1974 Elite
 Set (inner)SET4
 Set (outer)SET2
1980-1976 Esprit
 Set (inner)SET8
 Set (outer)SET1
1975-1967 Europa
 Set (inner)SET4
 Set (outer)SET2
1974-1967 Elan
 Set (inner)SET4
 Set (outer)SET2

REAR WHEEL

1975-1967 Europa
 Bearing206FF[2]
1974-1967 Elan
 Bearing206FF[2]

REAR AXLE

Differential

1984-1976 Elite
 Cone/CupLM501349-LM501311[2]

REAR AXLE (cont.)

Differential (cont.)

1983-1976 Eclat
 Cone/CupLM501349-LM501311[2]
1972-1964 Elan
 SetSET5
1970-1968 Europa
 Bearing Assy30207M[2]

Pinion

1984-1976 Elite
 Cone/Cup (inner)M86649-M86610
 Cone/Cup (outer)HM88649-HM88610
1983-1976 Eclat
 Cone/Cup (inner)M86649-M86610
 Cone/Cup (outer)HM88649-HM88610
1972-1964 Elan
 Cone/Cup (inner)M88043-M88010
 Cone/Cup (outer)M88043-M88010

MACK TRUCK - 200 Series, 250 Series, 300 Series

FRONT WHEEL

1989-1984	RVI 408.06 axle	
Seal (inner)	717004[2]
Bearing Assy (inner)	33214[2]
Bearing Assy (outer)	33210[2]
1989-1979	RVI axles: 1.2600" wide bearing	
Seal (inner)	717005[2]
Bearing Assy (inner)	33211[2]
Bearing Assy (outer)	32208M[2]
1989-1979	RVI axles: 0.9744" wide bearing	
Seal (inner)	717005[2]
Bearing Assy (inner)	33211[2]
Bearing Assy (outer)	33208[2]

REAR WHEEL

1989-1979		
Seal (inner)	370220A[2] ⁵⁷
Cone/Cup (inner)	594-593X[2]
Cone/Cup (outer)	594-593X[2]

REAR AXLE

Differential Rebuild Kit

1989-1979	Eaton 16247 axle	
Kit	DRK23D
1989-1979	Eaton 18207 axle	
Kit	DRK1
1989-1979	Eaton 18227 axle	
Kit	DRK1

Differential

1989-1979	RVI axles	
Cone/Cup	JM716649-JM716610[2]
1989-1979	Eaton 16247 axle	
Cone/Cup (LH)	495A-493
Cone/Cup (RH)	42381-42584
1989-1979	Eaton 18207, 18227, 22127, 22227 axles	
Cone/Cup (LH)	56425-56650
Cone/Cup (RH)	497-493

Pinion

1989-1979	RVI axles	
Cone/Cup (inner)	65390-65320
Cone/Cup (outer)	HM807040-HM807010

REAR AXLE (cont.)

Pinion (cont.)

1989-1979	Eaton 16247 axle	
Cone/Cup (inner)	55175C-55437
Seal (outer)	9773R
Cone/Cup (outer)	55175C-55437
Cyl. Bearing (pilot)	MUS1307UM
1989-1979	Eaton 18207, 18227 axles	
Cone/Cup (inner)	55200C-55437
Seal (outer)	9773R
Cone/Cup (outer)	55200C-55437
Cyl. Bearing (pilot)	MUS1307UM
1989-1979	Eaton 22127, 22227 axles	
Cone/Cup (inner)	72200C-72487
Seal (outer)	9773R
Cone/Cup (outer)	72200C-72487
Cyl. Bearing (pilot)	MUS1307UM

CLUTCH

Pilot Bearing

1989-1984	8.8 turbodiesel	
Bearing	305DD
1989-1980	5.5 turbodiesel	
Bearing	105CC

DRIVESHAFT SUPPORT

1989-1964	Spicer 1550, 1610, 1650: 1.7717" bearing ID	
Hanger Bearing Assy	HB88509A
1976-1964	Spicer: 1.3780" bearing ID	
Hanger Bearing Assy	HB88107
1976-1964	Spicer: 1.5748" bearing ID	
Hanger Bearing Assy	HB88508
1976-1964	Spicer: 1.9685" bearing ID	
Hanger Bearing Assy	HB88510
1976-1964	Spicer: 2.3622" bearing ID	
Hanger Bearing Assy	HB88512AHD

MASERATI

FRONT WHEEL

1989-1988	Spyder	
Set (inner)	SET6
Set (outer)	SET2
1989-1977	Quattroporte	
Set (inner)	SET6
Set (outer)	SET2
1988-1984	Biturbo	
Set (inner)	SET6
Set (outer)	SET2

FRONT WHEEL (cont.)

1980-1977	Khamsin	
Cone/Cup (inner)	15123-15245[2]
Cone/Cup (outer)	09067-09195[2]
1980-1977	Kyalami	
Set (inner)	SET6
Set (outer)	SET2

[] Indicates Quantity Required; Set Components Listed Inside Rear Cover;
⁵⁷ Oil Bath Seal

Bearings and Seals

Mfg./Year Model & Location Part No Mfg./Year Model & Location Part No

MASERATI (cont.)

REAR WHEEL

1989	228	
	Cone/Cup (inner)	LM78349-LM78310A[2]
	Cone/Cup (outer)	LM300849-LM300811[2]
1989	430	
	Cone/Cup (inner)	LM78349-LM78310A[2]
	Cone/Cup (outer)	LM300849-LM300811[2]
1989-1987	Spyder	
	Cone/Cup (inner)	LM78349-LM78310A[2]
	Cone/Cup (outer)	LM300849-LM300811[2]
1989-1979	Quattroporte	
	Cone/Cup (inner)	JLM506849-JLM506810[2]
	Cone/Cup (outer)	JLM104948-JLM104910[2]
1988-1984	Biturbo	
	Cone/Cup (inner)	LM78349-LM78310A[2]
	Cone/Cup (outer)	LM300849-LM300811[2]
1980-1977	Kyalami	
	Cone/Cup (inner)	JLM506849-JLM506810[2]
	Cone/Cup (outer)	JLM104948-JLM104910[2]

REAR AXLE

Differential

1989	228, 430	
	Cone/Cup	LM501349-LM501311[2]
1988-1985	Biturbo, Spyder	
	Cone/Cup	LM501349-LM501311[2]
1984-1977	Merak	
	Bearing Assy	30208M[2]
1980-1978	Kyalami	
	Cone/Cup	25577-25523[2]
1980-1977	Bora	
	Cone/Cup	25590-25520[2]
1980-1977	Khamsin	
	Cone/Cup	25577-25523[2]

REAR AXLE

Pinion

1989-1984	Biturbo	
	Cone/Cup (inner)	LM501349-LM501311
	Cone/Cup (outer)	M86649-M86610
1986-1979	Quattroporte I	
	Cone/Cup (inner)	JLM506849-JLM506810
	Cone/Cup (outer)	JLM104948-JLM104910
1981-1977	Khamsin	
	Cone/Cup (inner)	HM89446-HM89410
	Cone/Cup (outer)	M88043-M88010

MAZDA - FRONT WHEEL DRIVE - GLC (84-85), MX6, 323, 323 AWD, 626 (83->)

FRONT WHEEL

1989	MX-6	
	Seal	1932S[2]
	Bearing Assy	513057[2]
1989-1988	626	
	Seal	1932S[2]
	Bearing Assy	513057[2]
1989-1986	323	
	Seal (inner)	4990[2]
	Set (inner)	SET11
	Seal (outer)	710323[2]
	Set (outer)	SET11
1987-1983	626	
	Set	SET39
1985-1981	GLC exc. Wagon	
	Seal (inner)	4990[2]
	Set (inner)	SET11
	Seal (outer)	710323[2]
	Set (outer)	SET11

FRONT WHEEL (cont.)

1983-1981	GLC Wagon	
	Seal (inner)	1213N[2]
	(inner)	XAA30205-YAA30205
	Seal (outer)	1214N[2]
	Set (outer)	SET1

REAR WHEEL

1989-1988	626	
	Seal	224235[2]
	Bearing Assy	513055[2]
1989-1988	MX-6	
	Seal	224235[2]
	Bearing Assy	513055[2]
1989-1988	323 (AWD)	
	Seal (inner)	4990[2]
	Set (inner)	SET11
	Seal (outer)	710323[2]
	Set (outer)	SET11
1989-1987	323 exc. GTX and Wagon	
	Seal (inner)	710311[2]
	Set (inner)	SET8
	Set (outer)	SET2

MAZDA - FRONT WHEEL DRIVE - GLC (84-85), MX6, 323, 323 AWD, 626 (83->)
(cont.)

REAR WHEEL (cont.)

1988-1987	323 Wagon	
Seal (inner)	1973[2]
Cone/Cup (inner)	15123-15245[2]
Set (outer)	SET2
1987-1983	626	
Seal (inner)	1126S[2]
Set (inner)	SET4
Set (outer)	SET2
1986	323	
Seal (inner)	710311[2]
Set (inner)	SET8
Set (outer)	SET2
1985-1981	GLC	
Seal (inner)	710217[2]
Set (inner)	SET4
Set (outer)	SET1

REAR AXLE

Pinion

1989-1988	Protege AWD, 323 AWD	
Bearing Assy (inner)	32206M
Seal (outer)	710217
Bearing Assy (outer)	32205
Kwik Slv (Opt Rpr)	KWK99139

CLUTCH

Pilot Bearing

1989-1970		
Bearing	202SS

Release Bearing

1989-1988	MX-6: non-turbo	
Bearing Assy	614067
1989	MX-6: Turbo	
Bearing Assy	614079
1989-1988	929	
Bearing Assy	614079
1989-1986	626: non-turbo	
Bearing Assy	614067
1989-1986	626: turbo	
Bearing Assy	614079
1989-1984	RX-7: turbo	
Bearing Assy	614079
1989-1988	323: Turbo	
Bearing Assy	614079
1989-1988	323 GTX 4WD turbo	
Bearing Assy	614079
1989-1987	323: non-turbo	
Bearing Assy	614063
1988-1979	RX-7: non-turbo	
Bearing Assy	614067
1987-1986	323	
Bearing Assy	614026
1985-1984	GLC: front drive	
Bearing Assy	614026
1985-1984	GLC: rear drive	
Bearing Assy	614026
1985-1984	626: diesel	
Bearing Assy	614067

CLUTCH (cont.)

Release Bearing (cont.)

1985-1979	626: gas	
Bearing Assy	614067
1983-1981	GLC Sedan	
Bearing Assy	614026
1983-1980	GLC Wagon	
Bearing Assy	614026
1980-1977	GLC	
Bearing Assy	614026
1978-1976	Cosmo	
Bearing Only	FC1723C
1978-1974	RX-4	
Bearing Only	FC1723C
1978-1972	RX-3	
Bearing Only	FC1723C
1977-1976	Mizer: 3-finger clutch	
Bearing Only	TO1710
1977-1976	Mizer: diaphragm clutch	
Bearing Assy	614026
1977-1972	808	
Bearing Only	FC1723C
1974-1971	RX-2	
Bearing Only	FC1723C
1972	618	
Bearing Only	FC1723C
1972-1970	616	
Bearing Only	FC1723C
1972-1970	R100	
Bearing Only	FC1723C

3-SPEED AUTOMATIC TRANSAXLE

Torque Converter

1989-1983	F3A	
Seal	1012N
Kwik Slv (Opt Rpr)	KWK99177

Output Shaft

1989-1983	F3A	
Seal	223543[2]
Kwik Slv (Opt Rpr)	KWK99139[2]

Differential

1989-1983	F3A	
Bearing Assy	32008XM[2]

4-SPEED AUTOMATIC TRANSAXLE

Differential

1989-1988	F4A-EL	
Set	SET17[2]
1989-1987	G4A-EL	
Bearing Assy	32008XM[2]

Bearings and Seals

Mfg./Year Model & Location Part No Mfg./Year Model & Location Part No

MAZDA - FRONT WHEEL DRIVE - GLC (84-85), MX6, 323, 323 AWD, 626 (83->) (cont.)

4-SPEED AUTOMATIC TRANSAXLE

Torque Converter

1989-1987 F4A-EL, G4A-EL, G4A-HL
Seal 710446

Output Shaft

1989-1987 F4A-EL, G4A-EL, G4A-HL
Seal (LH) 223543
Kwik Slv (Opt Rpr) (LH) KWK99139
Seal (RH) 2007N
Kwik Slv (Opt Rpr) (RH) KWK99139

4-SPEED MANUAL TRANSAXLE

Differential

1989-1983 F4A
Set SET17[2]

Input Shaft

1989-1983 F4A
Seal 222430
Kwik Slv (Opt Rpr) KWK99098

Output Shaft

1989-1983 F4A
Seal (LH) 223543
Kwik Slv (Opt Rpr) (LH) KWK99139
Seal (RH) 2007N
Kwik Slv (Opt Rpr) (RH) KWK99139

5-SPEED MANUAL TRANSAXLE

Input Shaft

1989-1983 F5A, F52, F501
Seal 222430
Kwik Slv (Opt Rpr) KWK99098
1989-1983 F5F, G5A, G5M, G5Y, H5Y,
G501
Seal (outer) 1990
Set (outer) SET32
Kwik Slv (Opt Rpr) KWK99106

Countershaft

1989-1983 F5A, F52, F501
Bearing Assy (front) 32205

Output Shaft

1989-1983 F5A, F5F, F52, G5A, G5M, G5Y,
H5Y, F501, G501
Seal (LH) 223543
Kwik Slv (Opt Rpr) (LH) KWK99139
Seal (RH) 2007N
Kwik Slv (Opt Rpr) (RH) KWK99139

5-SPEED MANUAL TRANSAXLE

Selector Shaft Seal/Man. Shaft

1989-1988 G5M, G5Y, H5Y
Seal 221620

DRIVESHAFT SUPPORT

1989-1988 323 (AWD)
Hanger Bearing Assy HB29

CV JOINT HALF SHAFT

1989-1988 626
Seal (dust seal) 710253
Seal (inner) 710224
Seal (outer) 710223
1989-1988 MX-6
Seal (dust seal) 710253
Seal (inner) 710224
Seal (outer) 710223

CAMSHAFT SEAL

4 Cylinder

1989-1988 1489cc/1.5L, 1597cc/1.6L,
1839cc/1.8L, 1991cc/2.0
Seal 223420[2]
1989-1986 1597cc/1.6L, 1839cc/1.8L
Seal 223012
1989-1984 1998cc/2.0L, 2184cc/2.2L
Seal 223420

CRANKSHAFT REAR SEAL

4 Cylinder

1989-1986 1489cc/1.5L, 1597cc/1.6L,
1839cc/1.8L
Seal 228250
Kwik Slv (Opt Rpr) KWK99328
1989-1984 1998cc/2.0L, 2184cc/2.2L
Seal 229010
Kwik Slv (Opt Rpr) KWK99354
1986-1981 1490cc/1.5L
Seal 227020
Kwik Slv (Opt Rpr) KWK99272

TIMING COVER

4 Cylinder

1989-1984 1998cc/2.0L, 2184cc/2.2L
Seal 223420
1989-1986 1597cc/1.6L, 1839cc/1.8L
Seal 223012
Kwik Slv (Opt Rpr) KWK99114
1986-1981 1490cc/1.5L
Seal 224020
Kwik Slv (Opt Rpr) KWK99157

MAZDA - REAR WHEEL DRIVE - Cosmo, GLC, Mizer, MX5 Miata, 616, 618, 626, 808, 929, RX2, RX3, RX4, RX7

FRONT WHEEL

1989-1986	RX-7	
Seal (inner)	1975S[2]
Bearing Assy (inner)	32204[2]
Set (outer)	SET11
1989-1988	929	
Seal	1207N[2]
Bearing	510035[2]
1985-1984		
Seal (inner)	1213N[2]
Set (inner)	SET32
Bearing Assy (outer)	32204[2]
1983-1980	GLC	
Seal (inner)	1213N[2]
Bearing Assy (inner)	30205M[2]
Set (outer)	SET11
1983-1979	RX-7	
Seal (inner)	1213N[2]
Set (inner)	SET32
Set (outer)	SET1
1982-1979	626	
Seal (inner)	1213N[2]
Set (inner)	SET32
Set (outer)	SET2
1979-1977	GLC	
Seal (inner)	1213N[2]
Cone/Cup (inner)	XAA30205-YAA30205[2]
Set (outer)	SET1
1978-1976	Cosmo	
Seal (inner)	1188S[2]
Set (inner)	SET6
Set (outer)	SET2
1978-1974	RX-4	
Seal (inner)	1213N[2]
Set (inner)	SET32
Set (outer)	SET2
1977-1976	Mizer	
Seal (inner)	1213N[2]
Cone/Cup (inner)	XAA30205-YAA30205[2]
Set (outer)	SET2
1977-1975	RX-3	
Seal (inner)	1213N[2]
Cone/Cup (inner)	XAA30205-YAA30205[2]
Set (outer)	SET2
1977-1971	808	
Seal (inner)	1213N[2]
Cone/Cup (inner)	XAA30205-YAA30205[2]
Set (outer)	SET2
1974-1971	RX-2	
Seal (inner)	1213N[2]
Cone/Cup (inner)	XAA30205-YAA30205[2]
Set (outer)	SET2
1973-1970	616	
Seal (inner)	1213N[2]
Cone/Cup (inner)	XAA30205-YAA30205[2]
Set (outer)	SET2
1972-1970	R100	
Seal (inner)	1213N[2]
Cone/Cup (inner)	XAA30205-YAA30205[2]
Set (outer)	SET2

REAR WHEEL

1989-1986	RX-7	
Seal	225872[2]
Bearing	510010[2]
1989-1988	929	
Bearing Assy	513057[2]
1987-1983	626	
Seal (inner)	1126S[2]
Set (inner)	SET4
Set (outer)	SET2
1985-1984	RX-7	
Seal	710320[2]
Bearing	511017[2]
1985-1981	GLC	
Seal (inner)	710311[2]
Set (inner)	SET4
Set (outer)	SET1
1983-1981	GLC Wagon	
Seal	1180S[2]
Bearing	RW102R[2]
1983-1979	RX-7	
Seal	1214N[2]
Bearing	RW102R[2]
1982-1979	626	
Bearing	RW102R[2]
1980-1977	GLC	
Seal	1180S[2]
Bearing	RW102R[2]
1978-1976	Cosmo	
Seal	224820[2]
Bearing	RW128R[2]
1978-1971	RX-2, RX-3, RX-4	
Seal	1214N[2]
Bearing	RW102R[2]
1977-1976	Mizer	
Bearing	RW102R[2]
1977-1972	808	
Bearing	RW102R[2]
1973-1970	616	
Bearing	RW102R[2]
1973-1970	618	
Bearing	RW102R[2]
1972-1970	R100	
Seal	1214N[2]
Bearing	RW102R[2]

REAR AXLE

Differential

1989-1988	929	
Seal	223840[2]
Kwik Slv (Opt Rpr)	KWK99147[2]
1989-1987	RX-7: limited slip differential	
Seal Viton	710218[2]
Kwik Slv (Opt Rpr)	KWK99139[2]
1989-1987	RX-7 (exc. Posi-Trac)	
Seal	2007N[2]
Cone/Cup	XAA32008X-Y32008X[2]
Kwik Slv (Opt Rpr)	KWK99139[2]
1986-1970		
Cone/Cup	XAA32008X-Y32008X[2]

Bearings and Seals

Mfg./Year Model & Location Part No Mfg./Year Model & Location Part No

MAZDA - REAR WHEEL DRIVE - Cosmo, GLC, Mizer, MX5 Miata, 616, 618, 626, 808, 929, RX2, RX3, RX4, RX7 (cont.)

REAR AXLE

Pinion

1989-1988	929	
	Bearing Assy (inner)	32307
	Bearing Assy (outer)	30306M
1989-1987	RX-7: limited slip differential	
	Bearing Assy (inner)	32207M
	Bearing Assy (outer)	30306M
	Bearing (pilot)	108TB
1989-1987	RX-7 (exc. Posi-Trac)	
	Bearing Assy (inner)	32207M
	Seal (outer)	712010
	Bearing Assy (outer)	32206M
	Kwik Slv (Opt Rpr)	KWK99189
1986-1979	RX-7, 626	
	Bearing Assy (inner)	32207M
	Seal (outer)	710326
	Bearing Assy (outer)	32206M
	Kwik Slv (Opt Rpr)	KWK99157
1983-1977	GLC	
	Bearing Assy (inner)	32206M
	Seal (outer)	2008S
	Kwik Slv (Opt Rpr)	KWK99157
1978-1974	Cosmo, Mizer, RX2, RX3, RX4, 808 (M/T)	
	Cone/Cup (inner)	HM803146-HM803110
	Seal (outer)	1216N
	Bearing Assy (outer)	32206M
	Kwik Slv (Opt Rpr)	KWK99157
1978-1974	Cosmo, Mizer, RX2, RX3, RX4, 808 (A/T)	
	Bearing Assy (inner)	32207M
	Seal (outer)	1216N
	Bearing Assy (outer)	32206M
	Kwik Slv (Opt Rpr)	KWK99157
1973-1970		
	Bearing Assy (inner)	32207M
	Seal (outer)	1216N
	Bearing Assy (outer)	32206M
	Kwik Slv (Opt Rpr)	KWK99157

TRANSMISSION REBUILD KIT

1989-1978	Single Ball front	
	Kit	TRKZ100
1989-1978	Double Ball Front Bearing	
	Kit	TRKZ110

3-SPEED AUTOMATIC TRANSMISSION

Torque Converter

1983-1971	3N71B	
	Seal Viton	2025
	Kwik Slv (Opt Rpr)	KWK99166

3-SPEED AUTOMATIC TRANSMISSION

Rear Seal/Ext. Housing

1983-1971	3N71B	
	Seal	1216N

4-SPEED AUTOMATIC TRANSMISSION

Torque Converter

1989-1984	L4N71B	
	Seal Viton	2025
	Kwik Slv (Opt Rpr)	KWK99166

Rear Seal/Ext. Housing

1989-1984	L4N71B	
	Seal	223801

CLUTCH

Pilot Bearing

1989-1972	Rotary engines	
	Bearing	152016
1989-1970	exc. rotary engines	
	Bearing	202SS

CLUTCH - ROTARY

Release Bearing

1989-1986	1308cc/130L (Turbo)(240mm clutch)	
	Bearing Assy	614079
1989-1983	1146cc/1.1L, 1308cc/1.3L, (225mm clutch)	
	Bearing Assy	614067
1982-1979		
	Bearing Assy	614067
1978-1971		
	Bearing Only	FC1723C

CLUTCH - 4 CYLINDER

Release Bearing

1982-1979	1970cc/2.0L (215mm clutch)	
	Bearing Assy	614067
1979-1976	1272cc/1.3L, 1415cc/1.4L (185mm clutch)	
	Bearing Assy	614026
1977-1976	1272cc/1.3L (185mm clutch)	
	Bearing Assy	614026
1977-1971	1587cc/1.6L, (200mm Clutch)	
	Bearing Only	FC1723C
1972-1971	1796cc/1.8L (215mm clutch)	
	Bearing Only	FC1723C
1971	1169cc/1.2L (180mm clutch)	
	Bearing Assy	614026

CLUTCH - 6 CYLINDER

Release Bearing

1989-1988	2954cc/3.0L (240mm Clutch)	
	Bearing Assy	614079

MAZDA - REAR WHEEL DRIVE - Cosmo, GLC, Mizer, MX5 Miata, 616, 618, 626, 808, 929, RX2, RX3, RX4, RX7 (cont.)

4-SPEED MANUAL TRANSMISSION

Input Shaft

1982-1980	4B	
Seal	1990
Bearing	306L
Kwik Slv (Opt Rpr)	KWK99106
1982-1970	4G	
Seal	1990
Bearing	108A
Kwik Slv (Opt Rpr)	KWK99106

Countershaft

1982-1980	4G	
Bearing (front)	5205KLE
Bearing (rear)	304WB
1982-1980	4B	
Bearing (front)	5205KLE
1979-1970	4G	
Bearing (rear)	304WB

Rear Output Shaft

1982-1970	4B, 4G	
Seal	1215N
Bearing	306L

5-SPEED MANUAL TRANSMISSION

Front Input Shaft

1989-1987	5HC	
Seal	1990
Bearing	108A
Kwik Slv (Opt Rpr)	KWK99106
1988-1971	5A, 5B, 5C, 5D, M51, 5TR	
Seal	1990
Bearing	306L
Kwik Slv (Opt Rpr)	KWK99106
1982-1977	5G	
Seal	1990
Bearing	108A
Kwik Slv (Opt Rpr)	KWK99106

Countershaft

1989-1987	5HC	
Bearing (front)	5205KLE
1988-1977	5B, 5C, 5D, 5G, M51, 5TR	
Bearing (front)	5205KLE
Bearing (rear)	304WB

Intermediate Shaft

1989-1977	exc. 5HC	
Bearing	306L

5-SPEED MANUAL TRANSMISSION

Rear Output Shaft

1988-1971	5A, 5B, 5C, 5D, 5G, M51, 5TR	
Seal	1215N
Bearing	305AG

ALTERNATOR

1989-1986	60 amp	
Bearing (drive end)	302CC
1989-1986	65 amp	
Bearing (drive end)	302CC
1989-1986	70 amp	
Bearing (drive end)	302CC
1985-1983	60 amp	
Bearing (drive end)	302CC
Bearing (rear end)	201CC
1985-1983	70 amp	
Bearing (drive end)	302CC
Bearing (rear end)	201CC
1985-1978	50 amp	
Bearing (drive end)	202SS
Bearing (rear end)	201CC
1985-1978	55 amp	
Bearing (drive end)	202SS
Bearing (rear end)	201CC
1985-1977	65 amp	
Bearing (drive end)	302CC
Bearing (rear end)	201CC
1982-1977	60 amp	
Bearing (drive end)	302CC
Bearing (rear end)	201CC
1982-1977	70 amp	
Bearing (drive end)	302CC
Bearing (rear end)	201CC
1977-1971	50 amp	
Bearing (drive end)	203FF
Bearing (rear end)	201CC
1977-1971	63 amp	
Bearing (drive end)	203FF
Bearing (rear end)	201CC

CAMSHAFT SEAL

6 Cylinder

1989-1988	2954/3.0L (SOHC)	
Seal	1940[2]

CRANKSHAFT FRONT SEAL

Rotary

1989-1971		
Seal Viton	226840

CRANKSHAFT REAR SEAL

4 Cylinder

1989-1986	1489cc/1.5L, 1597cc/1.6L, 1839cc/1.8L	
Seal	228250
Kwik Slv (Opt Rpr)	KWK99328

Bearings and Seals

Mfg./Year Model & Location Part No Mfg./Year Model & Location Part No

MAZDA - REAR WHEEL DRIVE - Cosmo, GLC, Mizer, MX5 Miata, 616, 618, 626, 808, 929, RX2, RX3, RX4, RX7 (cont.)

CRANKSHAFT REAR SEAL (cont.)

4 Cylinder (cont.)

1986-1980	1490cc/1.5L	
Seal	227020
Kwik Slv (Opt Rpr)	KWK99272
1983-1980	1415cc/1.4L	
Seal	227020
Kwik Slv (Opt Rpr)	KWK99272
1982-1979	1970cc/2.0L	
Seal	228020
Kwik Slv (Opt Rpr)	KWK99315
1979-1976	1272cc/1.3L, 1415cc/1.4L	
Seal	227020
Kwik Slv (Opt Rpr)	KWK99272
1977-1971	1586cc/1.6L, 1796cc/1.8L	
Seal	228020
Kwik Slv (Opt Rpr)	KWK99315

6 Cylinder

1989-1988	2954cc/3.0L	
Seal	1019S
Kwik Slv (Opt Rpr)	KWK99298

TIMING COVER

Rotary

1989-1971		
Seal Viton	2025
Kwik Slv (Opt Rpr)	KWK99169

TIMING COVER

4 Cylinder

1989-1986	1597cc/1.6L (To 2/1/91)	
Seal	223012
Kwik Slv (Opt Rpr)	KWK99114
1982-1979	1970cc/2.0L	
Seal	712010
Kwik Slv (Opt Rpr)	KWK99189
1982-1976	1272cc/1.3L, 1415cc/1.4L, 1490cc/1.5L	
Seal	224020
Kwik Slv (Opt Rpr)	KWK99157
1977-1971	1586cc/1.6L, 1796cc/1.8L	
Seal	1994
Kwik Slv (Opt Rpr)	KWK99189

6 Cylinder

1989-1988	2954cc/3.0L	
Seal	224660
Kwik Slv (Opt Rpr)	KWK99181

MAZDA TRUCK - PICKUP, SUV - B2000, B2200, B2600, MPV

FRONT WHEEL

2WD

1989	MPV	
Hub Assy	513131[2]
1989-1986	B-Series trucks	
Seal (inner)	225225[2]
Set (inner)	SET5
Bearing Assy (outer)	30205M[2]
1984-1972	B-Series trucks	
Seal (inner)	1992[2]
Bearing Assy (inner)	30206M[2]
Bearing Assy (outer)	30204M[2]
1977-1972	Rotary Pickup	
Seal (inner)	1992[2]
Bearing Assy (inner)	30206M[2]
Bearing Assy (outer)	30204M[2]

4WD

1989	MPV	
Seal (inner)	1932S[2]
Bearing (inner)	510010[2]
Seal (outer)	710225[2]

FRONT WHEEL (cont.)

4WD (cont.)

1989-1987	B2600 truck	
Seal (inner)	710094[2]
Set (inner)	SET47
Seal (outer)	710093[2]
Set (outer)	SET11

REAR WHEEL

1989	MPV (drum brakes)	
Seal (inner)	224820[2]
Bearing (inner)	307FF[2]
Seal (outer)	710150[2]
1989-1987	B2200 truck	
Seal (inner)	223550[2]
Bearing Assy (inner)	30208M[2]
Seal (outer)	1994[2]
1989-1987	B2600 truck	
Seal (inner)	223550[2]
Bearing Assy (inner)	30208M[2]
Seal (outer)	1994[2]
1987	B2000: from chassis #505889	
Seal (inner)	223550[2]
Bearing Assy (inner)	30208M[2]
Seal (outer)	1994[2]

MAZDA TRUCK - PICKUP, SUV - B2000, B2200, B2600, MPV (cont.)

REAR WHEEL (cont.)

1987-1986	B2000: thru chassis #505888	
Seal (inner)	225530[2]
Bearing Assy (inner)	30208M[2]
Seal (outer)	1994[2]
1986-1985	trucks	
Seal (inner)	225530[2]
Bearing Assy (inner)	30208M[2]
Seal (outer)	1994[2]
1984-1972	trucks	
Seal (inner)	473823[2]
Bearing Assy (inner)	30208M[2]
Seal (outer)	1994[2]
1984-1972	Rotary Pickup	
Seal (inner)	473823[2]
Bearing Assy (inner)	30208M[2]
Seal (outer)	1994[2]

REAR AXLE

Differential

1989-1977	exc. Ford axle	
Bearing Assy	32008XM[2]

Pinion

1989-1987	B2600, MPV	
Bearing Assy (inner)	30307M
Seal (outer)	712011
Bearing Assy (outer)	30306M
Kwik Slv (Opt Rpr)	KWK99157
1989-1986	B2000, B2200	
Bearing Assy (inner)	32307
Seal (outer)	1216N
Bearing Assy (outer)	32206M
Kwik Slv (Opt Rpr)	KWK99157
1984-1980		
Bearing Assy (inner)	30307M
Seal (outer)	710326
Bearing Assy (outer)	30306M
Kwik Slv (Opt Rpr)	KWK99157
1979-1972		
Bearing Assy (inner)	30307M
Seal (outer)	712011
Bearing Assy (outer)	30306M
Kwik Slv (Opt Rpr)	KWK99157

TRANSFER CASE REBUILD KIT

1989-1986	Pickup	
Kit	TRKFMZ220

TRANSMISSION REBUILD KIT

1989-1988	B5V	
Kit	TRKFMZ210
1989	M5R1	
Kit	TRK247
1989-1987	B2600 pickup	
Kit	TRKFMZ210
1989-1986	B2200 Pickup, 5 Speed With Double Ball Front C/S Brg.	
Kit	TRKFMZ200

TRANSMISSION REBUILD KIT (cont.)

1989-1986	B2200 Pickup, 5 Speed With Single Ball Front C/S Brg.	
Kit	TRKFMZ120
1984-1979	B2000 Pickup, 5 Speed With Single Ball Front C/S Brg.	
Kit	TRKFMZ100
1984-1979	B2000 Pickup, 5 Speed With Double Ball Front C/S Brg.	
Kit	TRKFMZ110
1984-1979	B2000 Pickup, 4 Speed	
Kit	TRKFMZ290
1978-1974	Pickup, 4 Speed	
Kit	TRKF100
1978-1974	Pickup, 5 Speed	
Kit	TRKF110

3-SPEED AUTOMATIC TRANSMISSION

Torque Converter

1988-1986	Jatco L3N71B, 3N71B	
Seal Viton	2025
Kwik Slv (Opt Rpr)	KWK99166
1984-1980	Jatco 3N71B	
Seal Viton	2025
Kwik Slv (Opt Rpr)	KWK99166
1979-1972	Jatco 3N71	
Seal Viton	2025
Kwik Slv (Opt Rpr)	KWK99166

Rear Seal/Ext. Housing

1988-1986	Jatco L3N71B, 3N71B	
Seal	1216N
1984-1980	Jatco 3N71B	
Seal	1216N
1979-1972	Jatco 3N71	
Seal	1216N

4-SPEED AUTOMATIC TRANSMISSION

Torque Converter

1989	Jatco R4AEL	
Seal	224663
Kwik Slv (Opt Rpr)	KWK99181
1989-1987	JatCO N4A, L4N71B	
Seal Viton	2025
Kwik Slv (Opt Rpr)	KWK99166

CLUTCH

Pilot Bearing

1989	6-cylinder 3.0	
Bearing	202SS
1989-1987	4-cylinder 2.6	
Bearing	102CC
1988-1972	Rotary engines	
Bearing	152016
1986-1970	4-cylinder	
Bearing	202SS

Bearings and Seals

Mfg./Year Model & Location Part No Mfg./Year Model & Location Part No

MAZDA TRUCK - PICKUP, SUV - B2000, B2200, B2600, MPV (cont.)

CLUTCH

Release Bearing

1989	B2600 truck	
	Bearing Assy	614079
1989-1985	B2200 truck	
	Bearing Assy	614079
1987-1979	B2000 truck	
	Bearing Assy	614067
1984-1982	B2200 truck	
	Bearing Assy	614067
1984-1972	Rotary Pickup	
	Bearing Only	FC1723C

4-SPEED MANUAL TRANSMISSION

Input Shaft

1987-1986	4TB	
	Seal	1990
	Bearing	306L
	Kwik Slv (Opt Rpr)	KWK99106
1984-1980	4B	
	Seal	1990
	Bearing	306L
	Kwik Slv (Opt Rpr)	KWK99106
1979-1972	4B, 4TA	
	Seal	1990
	Bearing	306L
	Kwik Slv (Opt Rpr)	KWK99106
1977-1974	4R	
	Seal	1990
	Bearing	307L
	Kwik Slv (Opt Rpr)	KWK99106

Countershaft

1987-1986	4TB	
	Bearing (front)	5205KLE
1984-1980	4B	
	Bearing (front)	5205KLE

Rear Output Shaft

1987-1986	4TB	
	Seal	1215N
	Bearing	306L
1984-1979	4B	
	Seal	1215N
	Bearing	306L
1978-1972	4R, 4TA	
	Seal	1215N

5-SPEED MANUAL TRANSMISSION

Front Input Shaft

1989-1987	5HC	
	Seal	1990
	Bearing	108A
	Kwik Slv (Opt Rpr)	KWK99106
1989-1986	5E, 5TB	
	Seal	1990
	Bearing	306L
	Kwik Slv (Opt Rpr)	KWK99106

5-SPEED MANUAL TRANSMISSION (cont.)

Front Input Shaft (cont.)

1984-1982	5D	
	Seal	1990
	Bearing	306L
	Kwik Slv (Opt Rpr)	KWK99106
1977-1974	5R	
	Seal	1990
	Bearing	307L
	Kwik Slv (Opt Rpr)	KWK99106

Countershaft

1989-1987	5HC	
	Bearing (front)	5205KLE
1989-1986	5E, 5TB	
	Bearing (front)	5205KLE
	Bearing (rear)	304WB
1984-1982	5D	
	Bearing (front)	5205KLE
	Bearing (rear)	304WB
1977-1974	5R	
	Bearing (front)	5205KLE

Intermediate Shaft

1989-1986	5E, 5TB	
	Bearing	306L
1984-1982	5D	
	Bearing	306L

Rear Output Shaft

1989-1987	5E	
	Seal	2443
	Bearing	305AG
1987-1986	5TB	
	Seal	1215N
	Bearing	305AG
1984-1982	5D	
	Seal	1215N
	Bearing	305AG
1977-1974	5R	
	Seal	1215N
	Bearing	305AG

ALTERNATOR

1989-1986	60 amp	
	Bearing (drive end)	302CC
1989-1986	65 amp	
	Bearing (drive end)	302CC
1989-1986	70 amp	
	Bearing (drive end)	302CC
1985-1983	60 amp	
	Bearing (drive end)	302CC
	Bearing (rear end)	201CC
1985-1983	65 amp	
	Bearing (drive end)	302CC
	Bearing (rear end)	201CC
1985-1983	70 amp	
	Bearing (drive end)	302CC
	Bearing (rear end)	201CC

MAZDA TRUCK - PICKUP, SUV - B2000, B2200, B2600, MPV (cont.)

ALTERNATOR (cont.)

1985-1978	50, 55 amp	
	Bearing (drive end)	202SS
	Bearing (rear end)	201CC
1982-1977	60 amp	
	Bearing (drive end)	302CC
	Bearing (rear end)	201CC
1982-1977	65 amp	
	Bearing (drive end)	302CC
	Bearing (rear end)	201CC
1982-1977	70 amp	
	Bearing (drive end)	302CC
	Bearing (rear end)	201CC
1977-1971	50 amp	
	Bearing (drive end)	203FF
	Bearing (rear end)	201CC
1977-1971	63 amp	
	Bearing (drive end)	203FF
	Bearing (rear end)	201CC

DRIVESHAFT SUPPORT

1989-1978	0.9843" bearing ID	
	Bearing	205SS
1984-1982	B2200	
	Hanger Bearing Assy	HB29
1979-1972		
	Bearing	205BB

MANUAL STEERING

Worm Shaft

1984-1980	B2000	
	Seal	221720
1979-1977	B1800, B2000	
	Seal	221720
1976-1972	B1600	
	Seal	221710

CRANKSHAFT REAR SEAL

4 Cylinder

1989-1987	2555cc/2.6L	
	Seal Viton	228005
	Kwik Slv (Opt Rpr)	KWK99315
1989-1986	1998cc/2.0L, 2184cc/2.2L, 2606cc/2.6L	
	Seal	229010
	Kwik Slv (Opt Rpr)	KWK99354

CRANKSHAFT REAR SEAL (cont.)

4 Cylinder (cont.)

1984-1982	2209cc/2.2L	
	Seal	710061
	Kwik Slv (Opt Rpr)	KWK99399
1984-1980	1970cc/2.0L	
	Seal	228020
	Kwik Slv (Opt Rpr)	KWK99315
1979-1972	1586cc/1.6L, 1796cc/1.8L, 1970cc/2.0L	
	Seal	228020
	Kwik Slv (Opt Rpr)	KWK99315

6 Cylinder

1989	2954cc/3.0L	
	Seal	1019S
	Kwik Slv (Opt Rpr)	KWK99298

TIMING COVER

4 Cylinder

1989	2606cc/2.6L	
	Seal	224460
	Kwik Slv (Opt Rpr)	KWK99181
1989-1986	1998cc/2.0L, 2184cc/2.2L	
	Seal	223420
1989-1987	2555cc/2.6L	
	Seal	224840
	Kwik Slv (Opt Rpr)	KWK99189
1984-1982	2209cc/2.2L	
	Seal	8316N
	Kwik Slv (Opt Rpr)	KWK99199
1984-1980	1970cc/2.0L	
	Seal	712010
	Kwik Slv (Opt Rpr)	KWK99189
1979-1972	1586cc/1.6L, 1796cc/1.8L, 1970cc/2.0L	
	Seal	1994
	Kwik Slv (Opt Rpr)	KWK99189

6 Cylinder

1989	2954cc/3.0L	
	Seal	224660
	Kwik Slv (Opt Rpr)	KWK99181

MERCEDES BENZ

FRONT WHEEL

1989-1984	100 Series (exc. 2.3L 16V Eng)	
	Seal (inner)	239134[2]
	Set (inner)	SET6
	Set (outer)	SET1
1989-1986	300 Series; 300CE, D, E, TD, TE	
	Seal (inner)	239134[2]
	Set (inner)	SET6
	Set (outer)	SET2

FRONT WHEEL (cont.)

1989-1986	400 Series	
	Seal (inner)	1960[2]
	Set (inner)	SET5
	Set (outer)	SET3
1989-1984	500 Series; 560SEC, SEL	
	Seal (inner)	1960[2]
	Set (inner)	SET5
	Set (outer)	SET3

Bearings and Seals

Mfg./Year	Model & Location	Part No	Mfg./Year	Model & Location	Part No
-----------	------------------	---------	-----------	------------------	---------

MERCEDES BENZ (cont.)

FRONT WHEEL (cont.)

1989-1982	300 Series; 300CDT, SD, SDL, SE, SEL; 350SDL	
	Seal (inner)	1960[2]
	Set (inner)	SET5
	Set (outer)	SET3
1989-1987	200 Series	
	Seal (inner)	239134[2]
	Set (inner)	SET6
	Set (outer)	SET2
1988-1986	100 Series (2.3L - 16valve Eng)	
	Seal (inner)	239134[2]
	Set (inner)	SET6
	Set (outer)	SET2
1988-1986	500 Series; 560SL	
	Seal (inner)	1960[2]
	Set (inner)	SET5
	Set (outer)	SET3
1987-1986	500 Series; 560 SL	
	Set (inner)	SET6
	Set (outer)	SET2
1985-1981	300 Series; 380SE, SEC, SEL, SL, SLC	
	Seal (inner)	1012N[2]
	Set (inner)	SET6
	Set (outer)	SET2
1983-1977	200 Series	
	Seal (inner)	1960[2]
	Set (inner)	SET5
	Set (outer)	SET2
1981-1975	300 Series; exc. 380SEC, SEL, SL, SLC	
	Seal (inner)	1960[2]
	Set (inner)	SET5
	Set (outer)	SET3
1980-1973	400 Series; 450 SE, SEL	
	Seal (inner)	1960[2]
	Set (inner)	SET5
	Set (outer)	SET3
1980-1973	400 Series; 450 SL, SLC	
	Seal (inner)	1012N[2]
	Set (inner)	SET6
	Set (outer)	SET2
1976-1961	200 Series (late production 1961)	
	Seal (inner)	1012N[2]
	Set (inner)	SET6
	Set (outer)	SET2
1975-1965	600, D, Pullman	
	Set (inner)	SET5
	Set (outer)	SET2
1973-1968	300 Series; 300, 350	
	Seal (inner)	1012N[2]
	Set (inner)	SET6
	Set (outer)	SET2
1965-1961	100 Series (late production 1961)	
	Seal (inner)	1012N[2]
	Set (inner)	SET6
	Set (outer)	SET2
1961-1956	200 Series (early production 1961)	
	Seal (inner)	1992[2]
	Bearing Assy (inner)	32206M[2]
	Bearing Assy (outer)	32303[2]

FRONT WHEEL (cont.)

1961-1953	100 Series (early production 1961)	
	Seal (inner)	1992[2]
	Bearing Assy (inner)	32206M[2]
	Bearing Assy (outer)	32303[2]

REAR WHEEL

1989-1984	100 Series	
	Bearing	513130[2]
1989-1987	300 Series; 300CE; 300D; 300E; 300SL; 300TD; 300TE; 350SDL	
	Bearing	513130[2]
1989-1987	300 Series; 300SDL; 300SE; 300SEL	
	Seal (inner)	1174S[2]
	Cone/Cup (inner)	LM300849-LM300811[2]
	Cone/Cup (outer)	LM503349A-LM503310[2]
1989-1986	400 Series	
	Seal (inner)	1174S[2]
	Cone/Cup (inner)	LM300849-LM300811[2]
	Cone/Cup (outer)	LM503349A-LM503310[2]
1989-1984	500 Series; 500SEC, SEL; 560SEC, SEL, SL	
	Seal (inner)	1174S[2]
	Cone/Cup (inner)	LM300849-LM300811[2]
	Cone/Cup (outer)	LM503349A-LM503310[2]
1989-1987	200 Series; 260E	
	Bearing	513130[2]
1986	300 Series; 300E	
	Bearing	513130[2]
1986-1972	300 Series; exc. 300E	
	Seal (inner)	1174S[2]
	Cone/Cup (inner)	LM300849-LM300811[2]
	Cone/Cup (outer)	LM503349A-LM503310[2]
1983-1975	200 Series	
	Seal (inner)	1174S[2]
	Cone/Cup (inner)	LM300849-LM300811[2]
	Cone/Cup (outer)	LM503349A-LM503310[2]
1980-1973	400 Series	
	Seal (inner)	1174S[2]
	Cone/Cup (inner)	LM300849-LM300811[2]
	Cone/Cup (outer)	LM503349A-LM503310[2]
1975-1965	600D, Pullman	
	Bearing	513129[2]
1974-1968	200 Series: 220, D; 240D; 250, C; 280, C	
	Seal (inner)	1174S[2]
	Cone/Cup (inner)	LM300849-LM300811[2]
	Cone/Cup (outer)	LM503349A-LM503310[2]
1972-1955	200 Series: 250S, SE, SEC, SL; 280S, SE, SEC, SEL, SL	
	Seal	224045[2]
	Bearing	208[2]
1970-1961	300 Series	
	Seal	224045[2]
	Bearing	206WB[2]

MERCEDES BENZ (cont.)

REAR WHEEL (cont.)

1969-1968	200 Series; 230 (114 chassis)
Seal (inner) 1174S[2]
Cone/Cup (inner) LM300849-LM300811[2]
Cone/Cup (outer) LM503349A-LM503310[2]
1968	200 Series; 230S
Seal (inner) 224045[2]
Bearing (inner) 208[2]
1965-1959	100 Series
Seal (inner) 224045[2]
Bearing (inner) 208[2]
1960-1951	300 Series
Seal 7208S[2]

REAR AXLE

Pinion

1989-1984	190 Series
Cone/Cup (inner) M84548-M84510
Cone/Cup (outer) HM88649-HM88610
1988-1986	560 Series
Cone/Cup (inner) M86649-M86610
Cone/Cup (outer) M802048-M802011
1988-1984	500 Series
Cone/Cup (inner) M86649-M86610
Cone/Cup (outer) M802048-M802011
1988-1981	380 Series
Cone/Cup (inner) M86649-M86610
Cone/Cup (outer) M802048-M802011
1988-1975	300 Series
Cone/Cup (inner) M86649-M86610
Cone/Cup (outer) HM89449-HM89410
1985-1974	240 Series
Cone/Cup (inner) M86649-M86610
Cone/Cup (outer) HM89449-HM89410
1981-1973	280 Series
Cone/Cup (inner) M86649-M86610
Cone/Cup (outer) HM89449-HM89410
1980-1973	450 Series
Cone/Cup (inner) M86649-M86610
Cone/Cup (outer) M802048-M802011
1974-1961	300 Series
Seal (inner) 224045
Cone/Cup (inner) M88046-M88010
Cone/Cup (outer) HM89449-HM89410
1973-1968	220 Series
Cone/Cup (inner) M86649-M86610
Cone/Cup (outer) HM89449-HM89410
1973-1966	250 Series
Cone/Cup (inner) M86649-M86610
Cone/Cup (outer) HM89449-HM89410
1972	350 Series
Cone/Cup (inner) M86649-M86610
Cone/Cup (outer) M802048-M802011
1972-1968	280 Series
Seal (inner) 224045
Cone/Cup (inner) M88046-M88010
Cone/Cup (outer) HM89449-HM89410
1972-1965	600,D,Pullman
Cone/Cup (inner) HM89443-HM89410
Cone/Cup (outer) HM803149-HM803110

REAR AXLE (cont.)

Pinion (cont.)

1969-1963	230 Series
Cone/Cup (inner) M88048-M88010
Cone/Cup (outer) HM89449-HM89410
1968-1965	200 Series
Cone/Cup (inner) M88048-M88010
Cone/Cup (outer) HM89449-HM89410
1967-1958	220 Series
Cone/Cup (inner) M88048-M88010
Cone/Cup (outer) HM89449-HM89410
1965-1962	190 Series
Cone/Cup (inner) M88048-M88010
Cone/Cup (outer) HM89449-HM89410

CLUTCH

Pilot Bearing

1988-1953	all
Bearing 202AG

Release Bearing

1989-1987	260E
Bearing Assy 614125
1989-1982	190 Series
Bearing Assy 614125
1989-1981	300 Series
Bearing Assy 614125
1989-1978	280SE: W126 chassis
Bearing Assy 614125
1989-1981	240D, TD
Bearing Assy 614125
1986-1976	280
Bearing Assy 614123
1985-1968	280SE, SEL, SLC: W108 chassis
Bearing Assy 614123
1981-1978	300 Series
Bearing Assy 614123
1981-1977	280C, CE
Bearing Assy 614123
1981-1976	280E
Bearing Assy 614123
1981-1972	280SE: W116 chassis
Bearing Assy 614123
1981-1972	280SEL: W116 chassis
Bearing Assy 614123
1981-1972	280SL: W107 chassis
Bearing Assy 614123
1981-1972	280SLC: W107 chassis
Bearing Assy 614123
1980-1968	240D
Bearing Assy 614123
1980-1966	230, C
Bearing Assy 614123
1980-1965	200 Series
Bearing Assy 614123
1979-1967	280S: from chassis #027-623 on
Bearing Assy 614123
1978-1959	220, B, D, SB, SE, SEB
Bearing Assy 614123
1972-1963	250S, SE, SEL
Bearing Assy 614123

Bearings and Seals

Mfg./Year Model & Location Part No Mfg./Year Model & Location Part No

MERCEDES BENZ (cont.)

CLUTCH (cont.)

Release Bearing (cont.)

1971-1967	280SE: from chassis #028-986 on	
	Bearing Assy	614123
1971-1967	280SEC: from chassis #002-864 on	
	Bearing Assy	614123
1971-1967	280SEL: from chassis #029-326 on	
	Bearing Assy	614123
1954-1951	220 Series	
	Bearing Only	1573

ALTERNATOR

1989-1968	Bosch 55 amp	
	Bearing (drive end)	303CC
	Bearing (rear end)	201S
1989-1968	Bosch 65 amp	
	Bearing (drive end)	303CC
	Bearing (rear end)	201CC
1989-1968	Bosch 70 amp	
	Bearing (drive end)	303CC
	Bearing (rear end)	201CC
1989-1968	Motorola 55 amp	
	Bearing (drive end)	203FF
1989-1986	Bosch 80 amp	
	Bearing (drive end)	303CC

CRANKSHAFT REAR SEAL

4 Cylinder

1985-1984	2197cc/2.2L	
	Seal	710288

5 Cylinder

1989-1986	2497cc/2.5L	
	Seal	710288

CRANKSHAFT REAR SEAL

6 Cylinder

1989-1986	2599cc/2.6L, 2797cc/2.8L, 2962cc/3.0L, 2997cc/3.0L, 3199cc/3.2L	
	Seal	710288

8 Cylinder

1989-1984	4973cc/5.0L, 5547cc/5.6L	
	Seal Viton	710290
	Kwik Slv (Opt Rpr)	KWK99393
1985-1981	3839cc/3.8L	
	Seal Viton	710290
	Kwik Slv (Opt Rpr)	KWK99393

TIMING COVER

4 Cylinder

1985-1984	2197cc/2.2L	
	Seal	710289
	Kwik Slv (Opt Rpr)	KWK99177

5 Cylinder

1989-1986	2497cc/2.5L	
	Seal	710289
	Kwik Slv (Opt Rpr)	KWK99177

6 Cylinder

1989-1986	2599cc/2.6L, 2797cc/2.8L, 2962cc/3.0L, 2997cc/3.0L, 3199cc/3.2L	
	Seal	710289
	Kwik Slv (Opt Rpr)	KWK99177

MERCEDES BENZ TRUCK - L, LP, LPK, LPS, LS, O309D Series

FRONT WHEEL

1989-1986	L1319: VL 4/3-6	
	Bearing Assy (inner)	33214[2]
	Bearing Assy (outer)	32309M[2]
1989-1986	LP1419: VL 3/8D-6	
	Bearing Assy (inner)	33214[2]
	Bearing Assy (outer)	33210[2]
1989-1986	LP1219, L1319: HL5/1-10	
	Seal (inner)	231204[2]
	Cone/Cup (inner)	598-592A[2]
	Bearing Assy (outer)	32215[2]
1989-1986	LP1219, LP1419: HL4/8-10	
	Bearing Assy (inner)	33019[2]
	Bearing Assy (outer)	33215[2]
1989-1986	LP1219: HL 4/16-7	
	Cone/Cup (inner)	580-572[2]

FRONT WHEEL (cont.)

1989-1984	L1117: VL 3/11D-4	
	Seal (inner)	231002[2]
	Bearing Assy (inner)	33213M[2]
	Bearing Assy (outer)	33208[2]
1989-1984	L1117: VL 2/11-3	
	Bearing Assy (inner)	33211[2]
1989-1984	LP1219, L1317, L1319, LP1419: HL 4/17-9	
	Bearing Assy (inner)	33217[2]
1989-1984	L1117: HL 4/28-7	
	Cone/Cup (inner)	580-572[2]
1989-1976	L1013, L1113, L1317, L1319, L1418, LS1418: VL 3/4-5	
	Seal (inner)	417967[2]
	Cone/Cup (inner)	559-552A[2]
	Bearing Assy (outer)	32307[2]

MERCEDES BENZ TRUCK - L, LP, LPK, LPS, LS, O309D Series (cont.)

FRONT WHEEL (cont.)

1989-1976	LP1219, L1319, L1418, LS1418, LP1419: VL 3/7D-5	
Seal (inner)	231002[2]
Bearing Assy (inner)	33213M[2]
Bearing Assy (outer)	33208[2]
1989-1976	L1317, L1319, L1418, LS1418, : HL 4/8-10	
Seal (inner)	231204[2]
Bearing Assy (inner)	33019[2]
Bearing Assy (outer)	33215[2]
1988-1980	L1013, L1113: VL 3/1-3	
Seal (inner)	229520[2]
Bearing Assy (inner)	30312[2]
Bearing Assy (outer)	32307[2]
1988-1980	L1013, L1113: VL 3/1-3	
Seal (inner)	229520[2]
Bearing Assy (inner)	30312[2]
Bearing Assy (outer)	32307[2]
1988-1980	L1013, L1113	
Bearing Assy (inner)	32216[2]
Seal (outer)	231108[2]
Bearing Assy (outer)	32213M[2]
1978-1976	O309D	
Bearing Assy (inner)	32207M[2]
Bearing Assy (outer)	32304M[2]
1978-1976	O309D	
Cone/Cup (inner)	28985-28921[2]
Bearing Assy (outer)	32210M[2]
1975-1973	L508D-4, O309D	
Cone/Cup (inner)	2789-2720[2]
Cone/Cup (outer)	1380-1328[2]
1975-1973	L508D-4, O309D	
Bearing Assy (inner)	32211M[2]
Bearing Assy (outer)	32210M[2]
1973-1969	LPK1317/1319 LP/LPS/1317/1319, LP1013, LP1113	
Seal (inner)	229250[2]
Bearing Assy (inner)	30312[2]
Bearing Assy (outer)	32307[2]

FRONT WHEEL (cont.)

1973-1969	LPK1317/1319 LP/LPS/1317/1319, LP1013, LP1113	
Seal (inner)	231204[2]
Cone/Cup (inner)	598-592A[2]
Bearing Assy (outer)	32215[2]

CLUTCH

Pilot Bearing

1989-1969	6-cylinder 6.0 turbodiesel	
Bearing	205FF
1984-1970	6-cylinder 5.7 turbodiesel	
Bearing	204FF
1978-1973	4-cylinder 3.8 diesel	
Bearing	204FF
1973	5 cylinder 9.7 diesel	
Bearing	205FF

Release Bearing

1989-1986	6-cylinder 6.0 turbodiesel: 350mm clutch	
Bearing Assy	614113
1989-1985	5 cylinder 10.0 turbodiesel	
Bearing Assy	614113
1989-1984	6-cylinder 6.0 turbodiesel: 330mm clutch	
Bearing Assy	614112

DRIVESHAFT SUPPORT

1978-1973	1.378" (35mm) bearing ID	
Bearing	207FF

MERCURY - FRONT DRIVE - Lynx, LN7

FRONT WHEEL

1987-1983	production from 2/1983 on	
Set	SET39
Hub Assy Opt: complete		
bearing and hub kit	518503[2] ⁶²
1983-1981	production thru 2/1983	
Seal (inner)	3723[2]
Set	SET24[2]

REAR WHEEL

1987-1984		
Seal (inner)	473677[2]
Set (inner)	SET8
Set (outer)	SET12

REAR WHEEL (cont.)

1983-1981		
Seal (inner)	473677[2]
Set (inner)	SET8
Set (outer)	SET1

CLUTCH

Release Bearing

1987-1984		
Bearing Assy	614021
1983	exc. RGT-AC, RGT-AG trans	
Bearing Assy	614021
1983	RGT-AC, RGT-AG trans	
Bearing Assy	614020
1982-1981		
Bearing Assy	614020

[] Indicates Quantity Required; Set Components Listed Inside Rear Cover;

⁶² Kit incl: Hub & Bearing, Seal, Mounting Bolts

Bearings and Seals

Mfg./Year Model & Location Part No Mfg./Year Model & Location Part No

MERCURY - FRONT DRIVE - Lynx, LN7 (cont.)

AUTOMATIC TRANSAXLE

Input Shaft

1987-1981
 Seal 4539H
 Kwik Slv (Opt Rpr) KWK99235

Output Shaft

1987-1981
 Seal 3622S[2]
 Kwik Slv (Opt Rpr) KWK99169[2]

Differential

1987-1983 w/ Ball brg
 Bearing 208[2]
1983-1981 w/ Tapered brg
 Set SET45[2]

Selector Shaft Seal/Man. Shaft

1987-1981
 Seal 342517
 Kwik Slv (Opt Rpr) KWK99101

4-SPEED MANUAL TRANSAXLE

Differential

1987-1984 MTX-II: 4 pinion
 Set SET37[2]
1987-1981 MTX-II: 2 pinion
 Set SET45[2]

Input Shaft

1987-1985 MTX-II: RJS (2nd design)
 Seal 3638
 Cone/Cup LM67049A-LM67010
 Kwik Slv (Opt Rpr) KWK99112
1985-1981 MTX-II: RGT (1st design)
 Seal 710053
 Set SET30

Output Shaft

1987-1981 MTX-II
 Seal 3622S[2]
 Set SET30[2]
 Kwik Slv (Opt Rpr) KWK99169[2]

Selector Shaft Seal/Man. Shaft

1987-1981 MTX-II
 Seal Viton 710274

5-SPEED MANUAL TRANSAXLE

Differential

1987-1983 MTX-III: 2 pinion
 Set SET45[2]
1987-1983 MTX-III: RWB: 4 pinion
 Set SET37[2]

5-SPEED MANUAL TRANSAXLE

Input Shaft

1987-1983 MTX-III
 Seal 3638
 Cone/Cup LM67049A-LM67010
 Kwik Slv (Opt Rpr) KWK99112

Countershaft : 5th Gear Shaft

1987-1983 MTX-III
 Set SET16[2]

Output Shaft

1987-1983 MTX-III
 Seal 3622S[2]
 Set SET30[2]
 Kwik Slv (Opt Rpr) KWK99169

Selector Shaft Seal/Man. Shaft

1987-1983
 Seal Viton 710274

ALTERNATOR

1987-1981 Motorcraft
 Bearing (drive end) 203FF
1987-1981 Motorcraft
 Bearing (rear end) MNJ471S

CAMSHAFT SEAL

4 Cylinder

1987-1985 116/1.9L
 Seal 3774S
 Kwik Slv (Opt Rpr) KWK99169
1987-1984 122/2.0L
 Seal 223420
1985-1981 98/1.6L
 Seal 3774S
 Kwik Slv (Opt Rpr) KWK99169

CRANKSHAFT REAR SEAL

4 Cylinder

1987-1985 116/1.9L
 Seal 3772
 Seal PTFE H/D Opt. 5287
1987-1984 122/2.0L
 Seal 229010
 Kwik Slv (Opt Rpr) KWK99354
1985-1981 98/1.6L
 Seal 3772
 Seal PTFE H/D Opt. 5287

TIMING COVER

4 Cylinder

1987-1985 116/1.9L
 Seal 3771
 Kwik Slv (Opt Rpr) KWK99139
1987-1984 122/2.0L
 Seal 223012
 Kwik Slv (Opt Rpr) KWK99114

MERCURY - FRONT DRIVE - Lynx, LN7 (cont.)

TIMING COVER (cont.)

4 Cylinder (cont.)

1985-1981	98/1.6L	
Seal		3771
Kwik Slv (Opt Rpr)		KWK99139

MERCURY - FRONT DRIVE - Sable

FRONT WHEEL

1989-1986	thru 1/1991	
Bearing Assy		513058[2] ³¹
Set		SET49 ⁵⁵
Hub Assy Opt.		520000[2]

REAR WHEEL

1989-1986		
Seal (inner)		6815[2]
Set (inner)		SET6
Set (outer)		SET12

CLUTCH

Release Bearing

1989	all	
Bearing Assy		614060
Bearing Assy Opt: bearing and sleeve kit		614118
1988	non-centrifugal pressure plate	
Bearing Assy		614021
1988	centrifugal pressure plate	
Bearing Assy		614060
Bearing Assy Opt: bearing and sleeve kit		614118

4-SPEED AUTOMATIC TRANSAXLE

Differential

1989-1986	AX4, AXOD	
Bearing		208[2]

Torque Converter

1989-1986	AX4, AXOD	
Seal		4189H

Output Shaft

1989-1986	AX4, AXOD	
Seal		3622S[2]
Kwik Slv (Opt Rpr)		KWK99169[2]

ALTERNATOR

1989-1986	Motorcraft	
Bearing (drive end)		203FF
1989-1986	Motorcraft	
Bearing (rear end)		MNJ471S

CRANKSHAFT REAR SEAL

4 Cylinder

1986	153/2.5L	
Seal		3772
Seal PTFE H/D Opt.		5287

6 Cylinder

1989-1986	182/3.0L OHV	
Seal		3772
Seal PTFE H/D Opt.		5287
1989-1988	232/3.8L	
Seal Viton		3909
Seal PTFE H/D Opt.		5277
Kwik Slv (Opt Rpr)		KWK99363

TIMING COVER

4 Cylinder

1986	153/2.5L	
Seal		714075
Kwik Slv (Opt Rpr)		KWK99177

6 Cylinder

1989-1986	182/3.0L OHV	
Seal (front entry)		2692
Seal (rear entry)		2942
Kwik Slv (Opt Rpr)		KWK99187
Harmonic Balancer Sleeves		88187
1989-1988	232/3.8L	
Seal (front entry)		2692
Seal (rear entry)		2942
Kwik Slv (Opt Rpr)		KWK99187
Harmonic Balancer Sleeves		88187

[] Indicates Quantity Required; Set Components Listed Inside Rear Cover;

³¹ When depleted use number listed directly below ⁵⁵ Opt. Replacement If 513058 Is Unavailable

Bearings and Seals

Mfg./Year Model & Location Part No Mfg./Year Model & Location Part No

MERCURY - FRONT DRIVE - Tracer

FRONT WHEEL

1989-1987
 Seal (inner) 225220[2]
 Seal (outer) 710323[2]
 Set SET11[2]

REAR WHEEL

1989-1987 Sedan
 Seal (inner) 710311[2]
 Set (inner) SET8
 Set (outer) SET2
1989-1987 Wagon
 Seal (inner) 1973[2]
 Cone/Cup (inner) 15123-15245[2]
 Set (outer) SET2

CLUTCH - 4 CYLINDER

Pilot Bearing

1989-1987 1598cc/1.6
 Bearing 202SS

CLUTCH

Release Bearing

1989-1987 1598cc/1.6
 Bearing Assy 614063

3-SPEED AUTOMATIC TRANSAXLE

Torque Converter

1989-1987
 Seal 4539H
 Kwik Slv (Opt Rpr) KWK99235

Output Shaft

1989-1987
 Seal 3622S[2]
 Kwik Slv (Opt Rpr) KWK99169[2]

Differential

1989-1987
 Bearing 208[2]

Selector Shaft Seal/Man. Shaft

1989-1987
 Seal 342517
 Kwik Slv (Opt Rpr) KWK99101

5-SPEED MANUAL TRANSAXLE

Differential

1989-1987 MTX-III
 Set SET45[2]

5-SPEED MANUAL TRANSAXLE

Input Shaft

1989-1987 MTX-III
 Seal 3638
 Cone/Cup LM67049A-LM67010[2]
 Kwik Slv (Opt Rpr) KWK99112

Output Shaft

1989-1987 MTX-III
 Seal 3622S[2]
 Set SET30[2]
 Kwik Slv (Opt Rpr) KWK99169[2]

Selector Shaft Seal/Man. Shaft

1989-1987 MTX-III
 Seal Viton 710274

ALTERNATOR

1989-1987 Motorcraft
 Bearing (drive end) 203FF
1989-1987 Motorcraft
 Bearing (rear end) MNJ471S

CAMSHAFT SEAL

4 Cylinder

1989-1987 1598cc/1.6
 Seal 223012
 Kwik Slv (Opt Rpr) KWK99114

CRANKSHAFT REAR SEAL

4 Cylinder

1989-1987 1598cc/1.6
 Seal 228250
 Kwik Slv (Opt Rpr) KWK99328

TIMING COVER

4 Cylinder

1989-1987 1597cc/1.6L
 Seal 223012
 Kwik Slv (Opt Rpr) KWK99114

MERCURY - FRONT DRIVE, AWD - Topaz

FRONT WHEEL

1989-1984
 Set SET39
 Hub Assy 518503[2]⁶²

REAR WHEEL

1989-1984 exc. AWD
 Seal (inner) 473677[2]
 Set (inner) SET8
 Set (outer) SET12
1989-1988 Topaz AWD
 Bearing Assy 513001[2]

TRANSFER CASE

Input Shaft

1989-1988 Spicer
 Set SET2[2]
 Bearing (pilot) 206WB

Front Output Shaft

1989-1988 Spicer
 Cone/Cup M86647-M86610

Rear Output Shaft

1989-1988 Spicer
 Cone/Cup M86649-M86610
 Needle Bearing (pilot) SCH78

CLUTCH

Release Bearing

1989
 Bearing Assy 614060
 Bearing Assy Opt:
 bearing and sleeve kit 614118
1988 non-centrifugal pressure plate
 Bearing Assy 614021
1988 centrifugal pressure plate
 Bearing Assy 614060
 Bearing Assy Opt:
 bearing and sleeve kit 614118
1987-1984
 Bearing Assy 614021

3-SPEED AUTOMATIC TRANSAXLE

Torque Converter

1989-1984 ATX
 Seal 4539H
 Kwik Slv (Opt Rpr) KWK99235

Output Shaft

1989-1984 ATX
 Seal 3622S[2]
 Kwik Slv (Opt Rpr) KWK99169[2]

3-SPEED AUTOMATIC TRANSAXLE

Differential

1989-1984
 Bearing 208[2]

Selector Shaft Seal/Man. Shaft

1989-1984
 Seal 342517
 Kwik Slv (Opt Rpr) KWK99101

5-SPEED MANUAL TRANSAXLE

Differential

1989-1984 MTX-III: 2 pinion
 Set SET45[2]
1989-1984 MTX-III: 4 pinion
 Set SET37[2]

Input Shaft

1989-1984 MTX-III
 Seal 3638
 Cone/Cup LM67049A-LM67010[2]
 Kwik Slv (Opt Rpr) KWK99112

Countershaft

1989-1984 MTX-III
 Set SET16[2]

Output Shaft

1989-1984 MTX-III
 Seal 3622S[2]
 Set SET30[2]
 Kwik Slv (Opt Rpr) KWK99169[2]

Selector Shaft Seal/Man. Shaft

1989-1984 MTX-III
 Seal Viton 710274

ALTERNATOR

1989-1987 Mazda 65 amp
 Bearing (drive end) 303CC
1989-1984 Motorcraft
 Bearing (drive end) 203FF
1989-1984 Motorcraft
 Bearing (rear end) MNJ471S

CRANKSHAFT REAR SEAL

4 Cylinder

1989-1984 140/2.3L
 Seal 3772
 Seal PTFE H/D Opt. 5287
1986-1984 1998cc/2.0L Diesel
 Seal 229010
 Kwik Slv (Opt Rpr) KWK99354

[] Indicates Quantity Required; Set Components Listed Inside Rear Cover;

⁶² Kit incl: Hub & Bearing, Seal, Mounting Bolts

Bearings and Seals

Mfg./Year Model & Location Part No Mfg./Year Model & Location Part No

MERCURY - FRONT DRIVE, AWD - Topaz (cont.)

TIMING COVER

4 Cylinder

1989-1984	140/2.3L	
Seal	714075
Kwik Slv (Opt Rpr)	KWK99177
1986-1984	1998/2.0L Diesel	
Seal	223012
Kwik Slv (Opt Rpr)	KWK99114

MERCURY - REAR DRIVE - Bobcat

FRONT WHEEL

1980-1975		
Seal (inner)	6815[2]
Set (inner)	SET13
Set (outer)	SET12

REAR WHEEL

1980-1979		
Seal	3214[2]
Bearing	RW207CCRA[2]
1978	8" ring gear	
Seal	3214[2]
Bearing	RW207CCRA[2]
1978	6.75" ring gear	
Seal	3199S[2]
Bearing	RW207CCRA[2]
1977-1976		
Seal	3214[2]
Bearing	RW207CCRA[2]
1975		
Seal	3199S[2]
Bearing	RW207CCRA[2]

REAR AXLE

Differential Rebuild Kit

1980-1976	8" ring gear	
Kit	DRK310

Differential

1982-1976	8" ring gear	
Set	SET45
1980-1979	6.75" ring gear	
Cone/Cup	LM501349-LM501314[2]
1978-1975	6.75" ring gear	
Set	SET5

Pinion

1980-1979	6.75" ring gear	
Cone/Cup (inner)	HM88648-HM88610
Seal (outer)	3618
Cone/Cup (outer)	M86649-M86610
1980-1979	8" ring gear	
Cone/Cup	M86649-M86610[2]
Seal (outer)	3618
Cyl. Bearing (pilot)	R1558TAV

REAR AXLE (cont.)

Pinion (cont.)

1978-1976	8" ring gear: production from 11/1976 on	
Cone/Cup	M86649-M86610[2]
Seal (outer)	8181NA
Cyl. Bearing (pilot)	R1558TAV
1978-1974	6.75" ring gear	
Cone/Cup (inner)	M88048-M88010
Seal (outer)	8181NA
Cone/Cup (outer)	M86649-M86610
1976-1975	8" ring gear: production thru 11/1976	
Cone/Cup	M86649-M86610[2]
Seal (outer)	8181NA
Cyl. Bearing (pilot)	R1558TAV

3-SPEED AUTOMATIC TRANSMISSION

Torque Converter

1980-1975	C4	
Seal	331107N
Kwik Slv (Opt Rpr)	KWK99199

Rear Seal/Ext. Housing

1980-1975	C4	
Seal	7692S
Seal Kit	5202 ⁶⁴

Selector Shaft Seal/Man. Shaft

1980-1975	C4	
Seal	240816
Kwik Slv (Opt Rpr)	KWK99076

CLUTCH

Pilot Bearing

1980-1974	2.3 litre	
Needle Bearing	FC65354

Release Bearing

1977-1963		
Bearing Assy	614013

MERCURY - REAR DRIVE - Bobcat (cont.)

3-SPEED MANUAL TRANSMISSION

Front Input Shaft

1976-1975	Tremec 150, 160, 162	
Seal		3638
Bearing		208LO
Kwik Slv (Opt Rpr)		KWK99112

Rear Output Shaft

1976-1975	Tremec 150, 160, 162	
Seal		7692S
Bearing		207L
Seal Kit		5202 ⁶⁴

4-SPEED MANUAL TRANSMISSION

Input Shaft

1980-1975	German Design (ET)	
Seal		2503N
Bearing		207LO
Kwik Slv (Opt Rpr)		KWK99111

Rear Output Shaft

1980-1975	German Design (ET)	
Seal		2443
Bearing		108A

ALTERNATOR

1980-1974	Motorcraft	
Bearing (drive end)		203FF
1980-1974	Motorcraft	
Bearing (rear end)		MNJ471S
1978-1974	Bosch	
Bearing (drive end)		203S
1978-1974	Bosch	
Bearing (rear end)		201S

CRANKSHAFT REAR SEAL

4 Cylinder

1980-1975	140/2.3L	
Seal Rope		5095
Seal Split		5108

6 Cylinder

1979-1975	171/2.8L	
Seal Viton		3393
Kwik Slv (Opt Rpr)		KWK99237

TIMING COVER

4 Cylinder

1980-1975	140/2.3L	
Seal		2955

6 Cylinder

1979-1975	171/2.8L	
Seal Viton		2012S ³¹
Seal Viton		2012V
Kwik Slv (Opt Rpr)		KWK99166

MERCURY - REAR DRIVE - Brougham, Colony Park, Commuter, Grand Marquis, Marquis, Marauder, Medalist, Montclair, Monterey, Park Lane

FRONT WHEEL

1989-1974		
Seal (inner)		6815[2]
Set (inner)		SET11
Set (outer)		SET12
1973-1970		
Seal (inner)		6815[2]
Set (inner)		SET13
Set (outer)		SET2
1969-1968		
Seal (inner)		6815[2]
Set (inner)		SET6
Set (outer)		SET2
1967-1966	disc brakes	
Seal (inner)		9150S[2]
Set (inner)		SET5
Set (outer)		SET3
1967-1961	drum brakes	
Seal (inner)		6815[2]
Set (inner)		SET6
Set (outer)		SET2

FRONT WHEEL (cont.)

1960-1959	exc. Monterey and wagon	
Seal (inner)		9150S[2]
Set (inner)		SET5
Set (outer)		SET3
1960-1959	Monterey Sedan and Wagon	
Seal (inner)		6815[2]
Set (inner)		SET6
Set (outer)		SET2
1958	Montclair, Monterey	
Seal (inner)		6815[2]
Set (inner)		SET6
Set (outer)		SET2
1958	Park Lane	
Seal (inner)		9150S[2]
Set (inner)		SET5
Set (outer)		SET3
1957-1955		
Seal (inner)		6815[2]
Set (inner)		SET6
Set (outer)		SET2

[] Indicates Quantity Required; Set Components Listed Inside Rear Cover;

³¹ When depleted use number listed directly below ⁶⁴ Opt. Seal and Bushing Kit

Bearings and Seals

Mfg./Year Model & Location Part No Mfg./Year Model & Location Part No

MERCURY - REAR DRIVE - Brougham, Colony Park, Commuter, Grand Marquis, Marquis, Marauder, Medalist, Montclair, Monterey, Park Lane (cont.)

REAR WHEEL

1989-1980	7.5", 8.5", 8.8" ring gears	
Seal	8660S[2]
Cyl. Bearing	5707[2]
Kit	TRP1563TAV[2] ¹⁹
1979-1974	with OEM roller bearing and rear drum brakes: exc. WER axle	
Seal	3195[2]
Set	SET20
1979-1971	WER axle	
Seal	8660S[2]
Cyl. Bearing	5707[2]
Kit	TRP1563TAV[2] ¹⁹
1979-1966	with OEM ball bearing	
Seal	51098[2]
Bearing	514003P[2]
1973-1967	with OEM roller bearing	
Seal	8660S[2]
Cyl. Bearing	5707[2]
Kit	TRP1563TAV[2] ¹⁹
1965	WDD-D1 axle	
Seal	6939[2]
Bearing	RW207CCRA[2]
1965-1964	exc. 1965 WDD-D1 axle	
Seal	51098[2]
Bearing	514003P[2]
1963-1961	standard axle	
Seal	6939[2]
Bearing	RW207CCRA[2]
1963-1961	Heavy Duty axle	
Seal	51098[2]
Bearing	514003P[2]
1960-1957		
Seal	51098[2]
Bearing	514003P[2]
1956-1955		
Seal	450067[2]
Bearing	514003P[2]
1954-1952	exc. station Wagon	
Bearing	88107AR[2]
1954-1952	Station Wagon	
Bearing	514003P[2]
1951-1949		
Bearing	514003P[2]

CLUTCH RELEASE

3-Finger Clutches

1971-1961	
Bearing Assy 614034

Diaphragm Clutches

1970-1966	exc. 410, 427, 428
Bearing Assy 614038
1970-1966	410, 427, 428 engines
Bearing Only FA2065C
1965	exc. 427 engine with 4-speed trans
Bearing Assy 614038
1965	427 engine with 4-speed trans
Bearing Only FA2065C

CLUTCH RELEASE (cont.)

Diaphragm Clutches (cont.)

1964	4-speed trans	
Bearing Only	FA2065C
1964-1961	exc. 1964 4-speed trans	
Bearing Assy	614038

REAR AXLE

Differential Rebuild Kit

1989-1985	8.8" ring gear	
Kit	DRK311
1989-1971	8.5" ring gear	
Kit	DRK311
1981-1980	7.5" ring gear	
Kit	DRK315
1979-1970	9" ring gear: production from 5/11/1970 on	
Kit	DRK313
1970-1957	9" ring gear: production thru 5/10/1970	
Kit	DRK312

Differential

1989-1979	8.5", 8.8" ring gears	
Set	SET36[2]
1981-1979	7.5" ring gear	
Cone/Cup	LM501349-LM501314[2]
1979-1972	9" ring gear	
Set	SET47[2]
1978-1970	production from 5/1970 on	
Set	SET47[2]
1972-1966	WDT axle	
Cone/Cup	25590-25520[2]
1970-1966	exc. WDC-CAX, WDL, WDT axles: production thru 4/1970	
Set	SET37[2]
1968-1966	WDC-CAX, WDL axles	
Set	SET45[2]
1965	exc. WDD-D1 axle	
Set	SET37[2]
1965	WDD-D1 axle	
Set	SET45[2]
1964		
Set	SET37[2]
1963-1961	390 and larger engines	
Set	SET37[2]
1963-1961	351 and smaller engines	
Set	SET45[2]
1960-1959	exc. 312 engine	
Set	SET37[2]
1960-1959	312 engine	
Set	SET45[2]
1958-1957	exc. 9.5" ring gear	
Set	SET37[2]
1958-1957	9.5" ring gear	
Set	SET45[2]
1956-1955	Dana/Spicer 53 axle	
Cone/Cup	25590-25523[2]

MERCURY - REAR DRIVE - Brougham, Colony Park, Commuter, Grand Marquis, Marquis, Marauder, Medalist, Montclair, Monterey, Park Lane (cont.)

REAR AXLE (cont.)

Differential (cont.)

1956-1955	
Cone/Cup	25590-25523[2]
1954-1949 10-bolt housing cover	
Cone/Cup	24780-24720[2]
1954-1949 Dana/Spicer 41 axle	
Cone/Cup	25577-25523[2]

Pinion

1989-1979 7.5", 8.5", 8.8" ring gears	
Cone/Cup (inner)	M802048-M802011
Seal Viton (outer)	3604
Cone/Cup (outer)	M88048-M88010
Kwik Slv (Opt Rpr)	KWK99181
1979-1961 WDC, WDD, WDL, WFG axles: 9" ring gear	
Cone/Cup	M88048-M88010[2]
Seal (outer)	7044NA
Cyl. Bearing (pilot)	R1535TAV
1979-1961 9" ring gear	
Cone/Cup	M88048-M88010[2]
Seal (outer)	7044NA
1978-1973 WER axle: 8.7" ring gear	
Cone/Cup (inner)	M802048-M802011
Seal Viton (outer)	3604
Cone/Cup (outer)	M88048-M88010
1973-1964 9" ring gear Heavy Duty axle	
Cone/Cup (inner)	HM89443-HM89410
Seal (outer)	7044NA
Cone/Cup (outer)	M88048-M88010
Cyl. Bearing (pilot)	R1535TAV
1972-1970 WER axle: 8.7" ring gear	
Cone/Cup (inner)	M802048-M802011
Seal Viton (outer)	3604
Cone/Cup (outer)	M88048-M88010
1972-1963 9.375" ring gear: WFH, WDT axles	
Cone/Cup (inner)	HM89444-HM89410
Seal (outer)	7044NA
Cone/Cup (outer)	M88048-M88010
Cyl. Bearing (pilot)	M5204TV
1971-1957 8.75" ring gear	
Cone/Cup	M88048-M88010[2]
Seal (outer)	6930
Cyl. Bearing (pilot)	R1535TAV
1965-1963 exc. 427 engine	
Cone/Cup	M88048-M88010[2]
Seal (outer)	7044NA
Cyl. Bearing (pilot)	R1535TAV
1965-1963 427 engine	
Seal (inner)	7044NA
Cone/Cup (inner)	M88048-M88010
Cone/Cup (outer)	HM89443-HM89410
1960-1957 9" ring gear: 4.125" OD pinion seal	
Cone/Cup	M88048-M88010[2]
Seal (outer)	6930
Cyl. Bearing (pilot)	R1535TAV

REAR AXLE (cont.)

Pinion (cont.)

1960-1957 9" ring gear: 3" OD pinion seal	
Cone/Cup	M88048-M88010[2]
Seal (outer)	7044NA
Cyl. Bearing (pilot)	R1535TAV
1956-1955	
Cone/Cup (inner)	3877-3820
Seal (outer)	5778
Cone/Cup (outer)	02872-02820
1954-1949 10-bolt housing cover	
Cone/Cup (inner)	31597-31520
Seal (outer)	6371
Cone/Cup (outer)	02876-02820
1954-1949 Dana/Spicer 41 axle	
Cone/Cup (inner)	31594-31520
Seal (outer)	5778
Cone/Cup (outer)	02872-02820

AUTOMATIC TRANSMISSION

Torque Converter

1965-1961 Ford-o-Matic: 2-speed	
Seal	331107N
Kwik Slv (Opt Rpr)	KWK99199

Rear Seal/Ext. Housing

1965-1963 Ford-o-Matic: 2-speed with 1.5" shaft	
Seal	7692S
Seal Kit	5202 ⁶⁴

3-SPEED AUTOMATIC TRANSMISSION

Torque Converter

1980 C4, C6	
Seal	331107N
Kwik Slv (Opt Rpr)	KWK99199
1979-1971 Cruise-o-Matic	
Seal	331107N
Kwik Slv (Opt Rpr)	KWK99199
1979-1968 C4, C6, MX	
Seal	331107N
Kwik Slv (Opt Rpr)	KWK99199
1978-1971 Ford-o-Matic	
Seal	6988H
Kwik Slv (Opt Rpr)	KWK99193
1967-1963 FX, MX	
Seal	6988H
Kwik Slv (Opt Rpr)	KWK99193
1967-1962 C4, C6	
Seal	331107N
Kwik Slv (Opt Rpr)	KWK99199
1963-1949 Ford-o-Matic	
Seal	6988H
Kwik Slv (Opt Rpr)	KWK99193

[] Indicates Quantity Required; Set Components Listed Inside Rear Cover;

⁶⁴ Opt. Seal and Bushing Kit

Bearings and Seals

Mfg./Year Model & Location Part No Mfg./Year Model & Location Part No

MERCURY - REAR DRIVE - Brougham, Colony Park, Commuter, Grand Marquis, Marquis, Marauder, Medalist, Montclair, Monterey, Park Lane (cont.)

3-SPEED AUTOMATIC TRANSMISSION

Rear Seal/Ext. Housing

1980-1966	C6	
Seal		7300S
Seal Kit		5203 ⁶⁴
1980-1963	C4	
Seal		7692S
Seal Kit		5202 ⁶⁴
1979-1971	Cruise-o-Matic	
Seal		7300S
Seal Kit		5203 ⁶⁴
1978-1949	Ford-o-Matic	
Seal		7692S
Seal Kit		5202 ⁶⁴
1968-1963	MX, FX	
Seal		473234

Selector Shaft Seal/Man. Shaft

1980-1978	C4	
Seal		240816
Kwik Slv (Opt Rpr)		KWK99076
1980-1949	exc. C4	
Seal		7929S

4-SPEED AUTOMATIC TRANSMISSION

Torque Converter

1989-1981	AOT (AOD)	
Seal		331107N
Kwik Slv (Opt Rpr)		KWK99199

Rear Seal/Ext. Housing

1989-1981	AOT (AOD): long boot	
Seal		7692S
Seal Kit		5202 ⁶⁴
1989-1981	AOT (AOD): short boot	
Seal		2194

Selector Shaft Seal/Man. Shaft

1989-1981		
Seal		7929S

CLUTCH

Pilot Bearing

1963		
Bearing		203S
1962-1961	233, 292 engines	
Bearing		203S
1960-1958	312 engine	
Bearing		203S
1957-1946		
Bearing		203S

Release Bearing

1960-1954		
Bearing Only		MA1625C
1953-1952		
Bearing Only		M1625C

CLUTCH (cont.)

Release Bearing (cont.)

1951-1941		
Bearing Only		2065C

3-SPEED MANUAL TRANSMISSION

Front Input Shaft

1971-1964	Tremec 150, 160, 162	
Seal		3638
Bearing		208LO
Kwik Slv (Opt Rpr)		KWK99112
1967-1949	Warner T86	
Seal		450326
Bearing		207L
Kwik Slv (Opt Rpr)		KWK99149
1962-1955	Ford L/D	
Seal		482208
Bearing		208SL
Kwik Slv (Opt Rpr)		KWK99112
1960-1954	Warner T85	
Seal		482208
Bearing		307L
Kwik Slv (Opt Rpr)		KWK99112

Mainshaft Pilot

1971-1964	Tremec 150, 160, 162	
Needle Bearing		QBR23549[15]
1967-1961	Warner T86	
Needle Bearing		QAR35319[21]
1962-1955	Ford L/D	
Needle Bearing		QBR23549[15]
1960-1954	Warner T85	
Needle Bearing		W1518Q[14]
1954-1949	Warner T86	
Needle Bearing		QAR35319[21]

Countershaft

1971-1964	Tremec 150, 160, 162	
Needle Bearing		C1086Q[50]
1967-1961	Warner T86	
Needle Bearing		C407Q[44]
1962-1955	Ford L/D	
Needle Bearing		C407Q[44]
1960-1954	Warner T85	
Needle Bearing		S443Q[80]
1954-1949	Warner T86	
Needle Bearing		C407Q[44]

Rear Output Shaft

1971-1964	Tremec 150, 160, 162	
Seal		7692S
Bearing		207L
Seal Kit		5202 ⁶⁴
1967-1949	Warner T86	
Seal		470059
Bearing		207L
Seal Kit		5201 ⁶⁴

MERCURY - REAR DRIVE - Brougham, Colony Park, Commuter, Grand Marquis, Marquis, Marauder, Medalist, Montclair, Monterey, Park Lane (cont.)

3-SPEED MANUAL TRANSMISSION

(cont.)

Rear Output Shaft (cont.)

1962-1955	Ford L/D	
Seal	470059
Bearing	208SL
Seal Kit	5201 ⁶⁴
1960-1954	Warner T85	
Seal	470059
Bearing	307L
Seal Kit	5201 ⁶⁴

Selector Shaft Seal/Man. Shaft

1967-1949	Warner T85, T86	
Seal	340797
Kwik Slv (Opt Rpr)	KWK99059

4-SPEED MANUAL TRANSMISSION

Input Shaft

1973-1964	Tremec 170	
Seal	482208
Bearing	209L
Kwik Slv (Opt Rpr)	KWK99112
1965-1960	Warner T10	
Seal	482208
Bearing	307L
Kwik Slv (Opt Rpr)	KWK99112

Mainshaft Pilot

1973-1964	Tremec 170	
Needle Bearing	QBR23549[15]
1965-1960	Warner T10	
Needle Bearing	QA19792[14]

Countershaft

1973-1964	Tremec 170	
Needle Bearing	QAR33724[42]
1965-1960	Warner T10	
Needle Bearing	S443Q[80]

Reverse Idler

1973-1964	Tremec 170	
Needle Bearing	C407Q[44]

Rear Output Shaft

1973-1964	Tremec 170: 28-spline, 1.5" shaft	
Seal	470059
Bearing	307L
Seal Kit	5201 ⁶⁴
1973-1964	Tremec 170: 31-spline, 1.690" shaft	
Seal	473234
Bearing	307L
1965-1960	Warner T10	
Seal	7692S
Bearing	307L
Seal Kit	5202 ⁶⁴

Selector Shaft Seal/Man. Shaft

1973-1964	Tremec 170	
Seal	313156

OVERDRIVE UNIT

Output Shaft

1967-1961	Warner R10	
Seal	470059
Seal Kit	5201 ⁶⁴
1960-1954	Warner R11	
Seal	473234
Bearing	207L
1954-1953	Warner R10	
Seal	470059
Seal Kit	5201 ⁶⁴

Selector Shaft Seal/Man. Shaft

1967-1953	Warner R10, R11	
Seal	340797
Kwik Slv (Opt Rpr)	KWK99059

Free Wheel Cam

1967-1961	Warner R10	
Needle Bearing	W585Q[12]
1954-1953	Warner R10	
Needle Bearing	W585Q[12]

Solenoid

1967-1953	Warner R10, R11	
Seal	240698

ALTERNATOR

1989-1971	Motorcraft	
Bearing (drive end)	203FF
1989-1971	Motorcraft	
Bearing (rear end)	MNJ471S

CRANKSHAFT REAR SEAL

6 Cylinder

1970	250/4.1L	
Seal Rope	5095
Seal Split Opt.	5108
1969-1965	240/3.9	
Seal Viton	2377
Kwik Slv (Opt Rpr)	KWK99372

8 Cylinder

1989-1984	281/4.6L, 302/5.0L	
Seal Viton	3909
Seal PTFE H/D Opt.	5277
Kwik Slv (Opt Rpr)	KWK99363
1989-1984	351/5.8L (W)	
Seal Viton	2377
Seal PTFE H/D Opt.	5278
Kwik Slv (Opt Rpr)	KWK99372
1983	351/5.8L (W) To 7/10/83	
Seal Rope	5095
Seal Split Opt.	5108

[] Indicates Quantity Required; Set Components Listed Inside Rear Cover;
⁶⁴ Opt. Seal and Bushing Kit

Bearings and Seals

Mfg./Year Model & Location Part No Mfg./Year Model & Location Part No

MERCURY - REAR DRIVE - Brougham, Colony Park, Commuter, Grand Marquis, Marquis, Marauder, Medalist, Montclair, Monterey, Park Lane (cont.)

CRANKSHAFT REAR SEAL (cont.)

8 Cylinder (cont.)

1983	351/5.8L (W) From 7/10/83	
	Seal Viton	2377
	Kwik Slv (Opt Rpr)	KWK99372
	Seal PTFE H/D Opt.	5278
1983	302/5.0L Thru 11/82	
	Seal Rope	5095
	Seal Split Opt.	5108
1983	302/5.0L From 11/82	
	Seal Viton	3909
	Seal PTFE H/D Opt.	5277
	Kwik Slv (Opt Rpr)	KWK99363
1982-1963	260/4.3, 289/4.7, 302/5.0, 351/5.8 (C), 351/5.8 (W)	
	Seal Rope	5095
	Seal Split Opt.	5108
1978-1971	351/5.8 (M), 400/6.6	
	Seal Rope	5095
	Seal Split Opt.	5117
1978-1969	429/7.0, 460/7.5	
	Seal Rope	5095
	Seal Split Opt.	5118
1971-1962	352/5.8, 390/6.4, 406/6.6, 427/7.0, 428/7.0	
	Seal Rope	5095
	Seal Split Opt.	5112S

TIMING COVER

6 Cylinder

1970	250/4.1L	
	Seal (front entry)	2692
	Seal (rear entry)	2942
	Kwik Slv (Opt Rpr)	KWK99187
	Harmonic Balancer	
	Sleeves	88187
1969-1965	240/3.9	
	Seal (front entry)	2692
	Seal (rear entry)	2942
	Kwik Slv (Opt Rpr)	KWK99187
	Harmonic Balancer	
	Sleeves	88187
1964-1963	223/3.6	
	Seal	350936
	Kwik Slv (Opt Rpr)	KWK99187
	Harmonic Balancer	
	Sleeves	88187

8 Cylinder

1989-1958	exc. 281/4.6, 292/4.8	
	Seal (front entry)	2692
	Seal (rear entry)	2942
	Kwik Slv (Opt Rpr)	KWK99187
	Harmonic Balancer	
	Sleeves	88187
1962-1955	292/4.8L	
	Seal	350936
	Kwik Slv (Opt Rpr)	KWK99187
	Harmonic Balancer	
	Sleeves	88187

MERCURY - REAR DRIVE - Capri

FRONT WHEEL

1986-1984	Capri GT	
	Seal (inner)	9150S[2]
	Set (inner)	SET5
	Set (outer)	SET12
1986-1979	exc. Capri GT	
	Seal (inner)	6815[2]
	Set (inner)	SET17
	Set (outer)	SET12
1978-1971		
	Seal (inner)	1192[2]
	Set (inner)	SET21
	Set (outer)	SET2

REAR WHEEL

1986-1979	7.5", 8.8" ring gears	
	Seal	8660S[2]
	Cyl. Bearing	5707[2]
	Kit	TRP1563TAV[2] ¹⁹
1983-1979	6.75" ring gear	
	Seal	3214[2]
	Bearing	RW207CCRA[2]

REAR WHEEL (cont.)

1978-1975		
	Bearing	RW110R[2]
1974-1971		
	Seal	1181[2]
	Bearing	RW109R[2]

REAR AXLE

Differential Rebuild Kit

1986	8.8" ring gear	
	Kit	DRK311
1986-1980	7.5" ring gear	
	Kit	DRK315

Differential

1986	8.8" ring gear	
	Set	SET36[2]
1986-1979	6.75" ring gear	
	Cone/Cup	LM501349-LM501314[2]
1986-1979	7.5" ring gear	
	Cone/Cup	LM501349-LM501314[2]

390 [] Indicates Quantity Required; Set Components Listed Inside Rear Cover;

¹⁹ Opt. Axle Repair Bearing. Replaces O.E. bearing & seal.

MERCURY - REAR DRIVE - Capri (cont.)

REAR AXLE (cont.)

Differential (cont.)

1978-1971
Cone/Cup 16150-16283[2]

Pinion

1986-1979 7.5", 8.8" ring gears
Cone/Cup (inner) M802048-M802011
Seal Viton (outer) 3604
Cone/Cup (outer) M88048-M88010
Kwik Slv (Opt Rpr) KWK99181

1982-1979 6.75" ring gear
Cone/Cup (inner) HM88648-HM88610
Seal (outer) 3618
Cone/Cup (outer) M86649-M86610
Kwik Slv (Opt Rpr) KWK99181

1978-1971
Cone/Cup (inner) HM89449-HM89410
Seal (outer) 2642
Cone/Cup (outer) HM88542-HM88510

3-SPEED AUTOMATIC TRANSMISSION

Torque Converter

1986-1980 C3
Seal 2658

1986-1980 C5
Seal 331107N
Kwik Slv (Opt Rpr) KWK99199

1986-1972 C4
Seal 331107N
Kwik Slv (Opt Rpr) KWK99199

1973-1971 Ford-o-Matic
Seal 6988H
Kwik Slv (Opt Rpr) KWK99193

1971 Borg Warner
Seal 480479H

Rear Seal/Ext. Housing

1979-1972 C4
Seal 7692S
Seal Kit 5202⁶⁴

1973-1971 Ford-o-Matic
Seal 7692S
Seal Kit 5202⁶⁴

1971 Borg Warner
Seal 7692S
Seal Kit 5202⁶⁴

Selector Shaft Seal/Man. Shaft

1986-1980 C4, C5
Seal 240816
Kwik Slv (Opt Rpr) KWK99076

1986-1980 C3
Seal 7929S

1979-1972 C4
Seal 240816
Kwik Slv (Opt Rpr) KWK99076

1973-1971 Ford-o-Matic
Seal 7929S

1971 Borg Warner
Seal 311189

4-SPEED AUTOMATIC TRANSMISSION

Torque Converter

1986-1982 AOT (AOD)
Seal 331107N
Kwik Slv (Opt Rpr) KWK99199

Rear Seal/Ext. Housing

1986-1982 AOT (AOD): long boot
Seal 7692S
Seal Kit 5202⁶⁴

1986-1982 AOT (AOD): short boot
Seal 2194

Selector Shaft Seal/Man. Shaft

1986-1982 AOT (AOD)
Seal 7929S

CLUTCH

Pilot Bearing

1986-1979 5.0 V8
Needle Bearing FC65174

1986-1974 2.3 litre
Needle Bearing FC65354

1982-1979 3.3 litre
Needle Bearing FC65174

1974-1971 1.6, 2.0 litre
Needle Bearing FC65354

Release Bearing

1986-1979 2.3 litre engine: German trans
Bearing Assy 614013

1986-1979 5.0 V8 and 2.3 litre: U.S. trans
Bearing Assy 614014

1978-1971 exc. 1600
Bearing Only F01267C

1973-1971 1600
Bearing Only CB2055C

4-SPEED MANUAL TRANSMISSION

Input Shaft

1986-1971 German Design (ET)
Seal 2503N
Bearing 207LO

Kwik Slv (Opt Rpr) KWK99111

1983-1982 Tremec 174
Seal 3638
Bearing 209L

Kwik Slv (Opt Rpr) KWK99112

1982-1980 Warner SR4
Seal 3638
Bearing 208LO

Kwik Slv (Opt Rpr) KWK99112

1982-1980 Tremec 171
Seal 3638
Bearing 308LTB

Kwik Slv (Opt Rpr) KWK99112

1978-1971 English Design (WG)
Seal 2503N
Bearing 207LO

Kwik Slv (Opt Rpr) KWK99111

[] Indicates Quantity Required; Set Components Listed Inside Rear Cover;

⁶⁴ Opt. Seal and Bushing Kit

Bearings and Seals

Mfg./Year Model & Location Part No Mfg./Year Model & Location Part No

MERCURY - REAR DRIVE - Capri (cont.)

4-SPEED MANUAL TRANSMISSION

Mainshaft Pilot

1983-1980	Tremec 171, 174	
	Needle Bearing	QBR23549[15]
1982-1980	Warner SR4	
	Needle Bearing	QBR23549[15]

Countershaft

1986-1980	German Design	
	Needle Bearing (front)	C407Q[21]
	Needle Bearing (rear)	B1316Q
1983-1980	Tremec 171, 174	
	Needle Bearing	QAR33724[42]
1982-1980	Warner SR4	
	Needle Bearing	C1086Q[50]

Reverse Idler

1983-1980	Tremec 171, 174	
	Needle Bearing	C407Q[44]

Rear Output Shaft

1986-1980	German Design	
	Seal	2443
	Bearing	108A
1983-1982	Tremec 174	
	Seal	7692S
	Bearing	307L
	Seal Kit	5202 ⁶⁴
1982-1980	Tremec 171	
	Seal	7692S
	Bearing	308LTB
	Seal Kit	5202 ⁶⁴
1982-1980	Warner SR4: 25-spline, 1.375" shaft	
	Seal	3116N
	Bearing	207L
1978-1971	German Design (ET)	
	Seal	2443
	Bearing	108A
1972-1971	English Design (WG)	
	Seal	2551
	Bearing	207L

Selector Shaft Seal/Man. Shaft

1983-1980		
	Seal	313156

5-SPEED MANUAL TRANSMISSION

Front Input Shaft

1986-1983	Warner T5, T5 World Class	
	Seal	7412S
	Set	SET5
	Kwik Slv (Opt Rpr)	KWK99125
	Needle Bearing Thrust	FA55505
1983-1980	Tremec 140, 141	
	Seal	482163N
	Set	SET5
	Kwik Slv (Opt Rpr)	KWK99138

5-SPEED MANUAL TRANSMISSION

Countershaft

1986-1985	Warner T5 World Class	
	Cone/Cup (front)	LM67048-LM67010BCE
	Set (rear)	SET6
1984-1983	Warner T5	
	Needle Bearing (front)	DK55836
	Cyl. Bearing (rear)	5707
1983-1980	Tremec 140, 141	
	Set (front)	SET2
	Set (rear)	SET6

Mainshaft Pilot

1986-1983	Warner T5, T5 World Class	
	Seal	7692S
	Cone/Cup	25877-25821
	Seal Kit	5202 ⁶⁴
1983-1980	Tremec 140, 141	
	Seal	222820
	Set	SET5

Mainshaft 1st Speed Gear

1986-1985	Warner T5 World Class	
	Needle Bearing	F218255

Mainshaft 2nd Speed Gear

1986-1985	Warner T5 World Class	
	Needle Bearing	F93934

Rear Output Shaft

1986-1983	Warner T5, T5 World Class	
	Seal	7692S
	Cone/Cup	25877-25821
	Seal Kit	5202 ⁶⁴
1983-1980	Tremec 140, 141	
	Seal	222820
	Set	SET5

Selector Shaft Seal/Man. Shaft

1983-1980	Tremec 140, 141	
	Seal	314267N
	Kwik Slv (Opt Rpr)	KWK99062

ALTERNATOR

1986-1979	Motorcraft	
	Bearing (drive end)	203FF
1986-1979	Motorcraft	
	Bearing (rear end)	MNJ471S

CAMSHAFT SEAL

4 Cylinder

1986-1976	140/2.3L	
	Seal	2955
1974-1971	122/2.0L	
	Seal Viton	2012S[2] ³¹
	Seal Viton	2012V[2]
	Kwik Slv (Opt Rpr)	KWK99166[2]

392 [] Indicates Quantity Required; Set Components Listed Inside Rear Cover;

³¹ When depleted use number listed directly below ⁶⁴ Opt. Seal and Bushing Kit

MERCURY - REAR DRIVE - Capri (cont.)

CRANKSHAFT REAR SEAL

4 Cylinder

1986-1982	140/2.3L	
Seal Viton		3909
Kwik Slv (Opt Rpr)		KWK99363
Seal PTFE H/D Opt.		5277
1981-1978	140/2.3L	
Seal Rope		5095
Seal Split Opt.		5108
1974-1971	98/1.6L, 122/2.0	
Seal Viton		3393

6 Cylinder

1986-1983	232/3.8L From 1/1/83	
Seal Viton		3909
Seal PTFE H/D Opt.		5277
Kwik Slv (Opt Rpr)		KWK99363
1983	232/3.8L to 12/31/82	
Seal Rope		5095
Seal Split Opt.		5108
1982-1980	200/3.3L	
Seal Rope		5095
Seal Split Opt.		5116
1978-1974	171/2.8L	
Seal Viton		3393
Kwik Slv (Opt Rpr)		KWK99237

8 Cylinder

1986-1983	302/5.0L From 12/82	
Seal Viton		3909
Seal PTFE H/D Opt.		5277
Kwik Slv (Opt Rpr)		KWK99363
1983-1980	302/5.0L Thru 11/82	
Seal Rope		5095
Seal Split Opt.		5108
1982-1980	255/4.2	
Seal Rope		5095
Seal Split Opt.		5108

TIMING COVER

4 Cylinder

1986-1976	140/2.3L	
Seal		2955
1974-1971	122/2.0L	
Seal Viton		2012S ³¹
Seal Viton		2012V
Kwik Slv (Opt Rpr)		KWK99166
1972-1971	98/1.6L	
Seal		3394
Kwik Slv (Opt Rpr)		KWK99144

6 Cylinder

1986-1983	232/3.8L	
Seal (front entry)		2692
Seal (rear entry)		2942
Kwik Slv (Opt Rpr)		KWK99187
Harmonic Balancer		
Sleeves		88187
1982-1980	200/3.3L	
Seal		7486S
Kwik Slv (Opt Rpr)		KWK99174
1978-1974	171/2.8L	
Seal Viton		2012S ³¹
Seal Viton		2012V
Kwik Slv (Opt Rpr)		KWK99166

8 Cylinder

1986-1980	255/4.2L, 302/5.0L	
Seal (front entry)		2692
Seal (rear entry)		2942
Kwik Slv (Opt Rpr)		KWK99187
Harmonic Balancer		
Sleeves		88187

MERCURY - REAR DRIVE - Comet, Cyclone, Meteor, Montego

FRONT WHEEL

1977-1974	Comet	
Seal (inner)		6815[2]
Set (inner)		SET13
Set (outer)		SET12
1976-1974	Montego	
Seal (inner)		6815[2]
Set (inner)		SET11
Set (outer)		SET12
1973-1970		
Seal (inner)		6815[2]
Set (inner)		SET13
Set (outer)		SET12
1969-1966		
Seal (inner)		6815[2]
Set (inner)		SET6
Set (outer)		SET2

FRONT WHEEL (cont.)

1965-1963	8-cylinder and Meteor	
Seal (inner)		6815[2]
Set (inner)		SET6
Set (outer)		SET2
1965-1960	6-cylinder	
Seal (inner)		7994S[2]
Set (inner)		SET4
Set (outer)		SET1

REAR WHEEL

1977-1976	Comet	
Seal		3214[2]
Bearing		RW207CCRA[2]
1976	Montego: standard axle	
Seal		51098[2]
Bearing		88128RAP[2]

[] Indicates Quantity Required; Set Components Listed Inside Rear Cover;

³¹ When depleted use number listed directly below

Bearings and Seals

Mfg./Year Model & Location Part No Mfg./Year Model & Location Part No

MERCURY - REAR DRIVE - Comet, Cyclone, Meteor, Montego (cont.)

REAR WHEEL (cont.)

1976-1974	Montego: Heavy Duty axle	
Seal		3195[2]
Set		SET20
1975-1971	Comet: 5-lug wheels	
Seal		9569S[2]
Bearing		RW207CCRA[2]
1974-1973	Montego: OEM ball bearing	
Seal		51098[2]
Bearing		514003P[2]
1973	Cyclone	
Seal		51098[2]
Bearing		514003P[2]
1972	Montego: 8-cylinder: production from 4/2/1972 on	
Seal		9363S[2]
Bearing		RW207CCRA[2]
1972-1971	Comet: 4-lug wheels	
Seal		9161[2]
Bearing		RWF34R[2]
1972-1968	Montego: 8-cylinder: production thru 4/1/1972	
Seal		9569S[2]
Bearing		RW207CCRA[2]
1971-1969	28-spline axle	
Seal		9569S[2]
Bearing		RW207CCRA[2]
1971-1969	31-spline axle	
Seal		9363S[2]
Bearing		RW207CCRA[2]
1968-1967	8-cylinder 427 engine	
Seal		9363S[2]
Bearing		RW207CCRA[2]
1968-1967	6-cylinder 200 engine	
Seal		9569S[2]
Bearing		RW207CCRA[2]
1967	exc. 8-cylinder 427 engine	
Seal		9569S[2]
Bearing		RW207CCRA[2]
1966		
Seal		9569S[2]
Bearing		RW207CCRA[2]
1965-1964	6-cylinder	
Seal		484054[2]
Bearing		RWF34R[2]
1965-1963	8-cylinder	
Seal		51322[2]
Bearing		88506AR[2]
1963-1962	Meteor	
Seal		8168[2]
Bearing		RW207CCRA[2]
1963-1961	6-cylinder: Wagon and convertible	
Seal		484054[2]
Bearing		RWF34R[2]
1963-1960	6-cylinder: exc. Wagon & convertible	
Seal		451182[2]
Bearing		88506AR[2]
1961-1960	Station Wagon	
Seal		51249[2]
Bearing		RWF34R[2]

CLUTCH RELEASE

3-Lever Pressure Plates

1977-1963	
Bearing Assy	614034

Diaphragm Spring Pressure Plates

1977-1975	exc. 6-cylinder 200 engine	
Bearing Assy		614014
1977-1975	6-cylinder 200 engine	
Bearing Assy		614038
1974-1971	Comet, Montego	
Bearing Assy		614038
1973-1962	8-cylinder: exc. 427, 428, 429	
Bearing Assy		614038
1971-1966	8-cylinder: 427, 428, 429	
Bearing Only		FA2065C
1967	6-cylinder: exc. H/D	
Bearing Assy		614038
1967-1966	6-cylinder: 200 and all H/D	
Bearing Only		F1625C
1966-1960	6-cylinder: exc. 1966: 200 and all H/D	
Bearing Only		F1505C

REAR AXLE

Differential Rebuild Kit

1977-1970	9" ring gear: production from 5/11/1970 on	
Kit		DRK313
1977-1964	7.75", 8" ring gears	
Kit		DRK310
1970-1957	9" ring gear: production thru 5/10/1970	
Kit		DRK312

Differential

1977-1966	7.75" ring gear	
Set		SET45
1977-1966	8" ring gear	
Set		SET45
1976-1970	9" ring gear: production from 5/1970 on	
Set		SET47
1970-1965	9" ring gear: production thru 5/1970	
Set		SET37
1968-1967	7.5" ring gear: WEZ axle	
Cone/Cup		LM29749-LM29710[2]
1965-1963	8-cylinder	
Set		SET45
1965-1961	6-cylinder	
Cone/Cup		LM29749-LM29710[2]
1960		
Set		SET45

MERCURY - REAR DRIVE - Comet, Cyclone, Meteor, Montego (cont.)

REAR AXLE

Pinion

1977-1966	7.75", 8" ring gears	
	Cone/Cup	M86649-M86610[2]
	Seal (outer)	8181NA
	Cyl. Bearing (pilot)	R1558TAV
1976-1966	9" ring gear: 28-spline shaft	
	Cone/Cup	M88048-M88010[2]
	Seal (outer)	7044NA
	Cyl. Bearing (pilot)	R1535TAV
1974-1966	9" ring gear: 31-spline shaft	
	Cone/Cup (inner)	HM89443-HM89410
	Cone/Cup (outer)	M88048-M88010
	Seal (outer)	7044NA
	Cyl. Bearing (pilot)	R1535TAV
1968-1966	7.5" ring gear: WCY, WEZ axles	
	Cone/Cup (inner)	HM89446-HM89410
	Seal (outer)	8181NA
	Cone/Cup (outer)	M86649-M86610
1965	6-cylinder: manual trans	
	Cone/Cup (inner)	HM89446-HM89410
	Seal (outer)	7457N
	Cone/Cup (outer)	M86649-M86610
1965	6-cylinder: automatic trans	
	Cone/Cup (inner)	HM89446-HM89410
	Seal (outer)	8181NA
	Cone/Cup (outer)	M86649-M86610
1965	8-cylinder: Special Performance	
	Cone/Cup	M86649-M86610[2]
	Seal (outer)	8181NA
	Cyl. Bearing (pilot)	R1535TAV
1965-1963	8-cylinder: exc. Special Performance	
	Cone/Cup	M86649-M86610[2]
	Seal (outer)	8181NA
	Cyl. Bearing (pilot)	R1558TAV
1964-1961	6-cylinder	
	Cone/Cup	HM89446-HM89410[2]
	Seal (outer)	7457N
1963-1962	Meteor	
	Cone/Cup	M86649-M86610[2]
	Seal (outer)	8181NA
	Cyl. Bearing (pilot)	R1558TAV
1960		
	Cone/Cup	HM88649-HM88610[2]
	Seal (outer)	7457N

AUTOMATIC TRANSMISSION

Torque Converter

1964-1962	Ford-o-Matic: 2-speed	
	Seal	331107N
	Kwik Slv (Opt Rpr)	KWK99199

Rear Seal/Ext. Housing

1964-1962	Ford-o-Matic: 2-speed with 1.5" shaft	
	Seal	7692S
	Seal Kit	5202 ⁶⁴

3-SPEED AUTOMATIC TRANSMISSION

Torque Converter

1983-1964	C4, C5, C6	
	Seal	331107N
	Kwik Slv (Opt Rpr)	KWK99199
1980-1975	Jatco 3N71: 3-speed	
	Seal Viton	2025
	Kwik Slv (Opt Rpr)	KWK99166
1971	Cruise-o-Matic	
	Seal	331107N
	Kwik Slv (Opt Rpr)	KWK99199
1967-1962	FX	
	Seal	6988H
	Kwik Slv (Opt Rpr)	KWK99193
1961	Ford-o-Matic: 3-speed	
	Seal	6988H
	Kwik Slv (Opt Rpr)	KWK99193

Rear Seal/Ext. Housing

1983-1963	C4, C5	
	Seal	7692S
	Seal Kit	5202 ⁶⁴
1980-1975	Jatco 3N71	
	Seal	3771
1976-1966	C6	
	Seal	7300S
	Seal Kit	5203 ⁶⁴
1971	Cruise-o-Matic	
	Seal	7300S
	Seal Kit	5203 ⁶⁴
1967-1962	FX	
	Seal	473234
1961	Ford-o-Matic	
	Seal	7692S
	Seal Kit	5202 ⁶⁴

Selector Shaft Seal/Man. Shaft

1983-1963	C4, C5	
	Seal	240816
	Kwik Slv (Opt Rpr)	KWK99076
1976-1968	Cruise-o-Matic	
	Seal	7929S
1976-1968	C6	
	Seal	7929S
1971-1962	FX	
	Seal	7929S
1961	Ford-o-Matic	
	Seal	7929S

CLUTCH

Pilot Bearing

1974-1973	250, 302 engines	
	Needle Bearing	FC65662

3-SPEED MANUAL TRANSMISSION

Front Input Shaft

1976-1963	Tremec 150, 160, 162	
	Seal	3638
	Bearing	208LO

Bearings and Seals

Mfg./Year Model & Location Part No Mfg./Year Model & Location Part No

MERCURY - REAR DRIVE - Comet, Cyclone, Meteor, Montego (cont.)

3-SPEED MANUAL TRANSMISSION (cont.)

Front Input Shaft (cont.)

1967-1962	Ford 2.77 (HED, RED)	
Seal	480210
Bearing	207L
1967-1961	Warner T86	
Seal	450326
Bearing	207L
Kwik Slv (Opt Rpr)	KWK99149
1961	Ford L/D	
Seal	482208
Bearing	208SL

Rear Output Shaft

1976-1963	Tremec 150, 160, 162	
Seal	7692S
Bearing	207L
Seal Kit	5202 ⁶⁴
1967-1962	Ford 2.77 (HED, RED): 1.375" shaft	
Seal	7495S
Bearing	206L
Seal Kit	5204 ⁶⁴
1967-1962	Ford 2.77 (HED, RED): 1.5" shaft	
Seal	470059
Bearing	206L
Seal Kit	5201 ⁶⁴
1967-1961	Warner T86	
Seal	470059
Bearing	207L
Seal Kit	5201 ⁶⁴
1961	Ford L/D	
Seal	470059
Bearing	208SL
Seal Kit	5201 ⁶⁴

Selector Shaft Seal/Man. Shaft

1967-1962	Ford 2.77 (HED, RED)	
Seal	7399S
Kwik Slv (Opt Rpr)	KWK99062
1967-1961	Warner T85, T86	
Seal	340797
Kwik Slv (Opt Rpr)	KWK99059

4-SPEED MANUAL TRANSMISSION Input Shaft

1979-1974	German Design (ET)	
Seal	2503N
Bearing	207LO
1978-1963	Tremec 170	
Seal	482208
Bearing	209L
Kwik Slv (Opt Rpr)	KWK99112
1966-1962	Warner T10	
Seal	482208
Bearing	307L
Kwik Slv (Opt Rpr)	KWK99112
1964	Dagenham Design	
Bearing	307L

Rear Output Shaft

1979-1974	German Design (ET)	
Seal	2443
Bearing	108A
1978-1977	Tremec 170	
Seal	7692S
Bearing	209L
Seal Kit	5202 ⁶⁴
1973-1964	Tremec 170: 28-spline, 1.5" shaft	
Seal	470059
Bearing	307L
Seal Kit	5201 ⁶⁴
1973-1964	Tremec 170: 31-spline, 1.690" shaft	
Seal	473234
Bearing	307L
1966-1962	Warner T10	
Seal	7692S
Bearing	307L
Seal Kit	5202 ⁶⁴
1964	Dagenham Design	
Seal	7495S
Bearing	206L
Seal Kit	5204 ⁶⁴

Selector Shaft Seal/Man. Shaft

1973-1963	Tremec 170	
Seal	313156
1964	Dagenham Design	
Seal	7399S
Kwik Slv (Opt Rpr)	KWK99062

ALTERNATOR

1977-1971	Motorcraft	
Bearing (drive end)	203FF
1977-1971	Motorcraft	
Bearing (rear end)	MNJ471S

CRANKSHAFT REAR SEAL

6 Cylinder

1977-1969	250/4.1L	
Seal Rope	5095
Seal Split Opt.	5108
1977-1963	144/2.4, 170/2.8, 200/3.3	
Seal Rope	5095
Seal Split Opt.	5116
1972-1971	171/2.8L	
Seal Viton	3393
Kwik Slv (Opt Rpr)	KWK99237

8 Cylinder

1982-1962	260/4.3, 289/4.7, 302/5.0, 351/5.8 (C), 351/5.8 (W)	
Seal Rope	5095
Seal Split Opt.	5108
1978-1971	400/6.6L	
Seal Rope	5095
Seal Split Opt.	5117
1971-1970	429/7.0, 460/7.5	
Seal Rope	5095
Seal Split Opt.	5118

MERCURY - REAR DRIVE - Comet, Cyclone, Meteor, Montego (cont.)

CRANKSHAFT REAR SEAL (cont.)

8 Cylinder (cont.)

1969-1961	352/5.8, 390/6.4, 406/6.6, 427/7.0, 428/7.0	
Seal Rope	5095
Seal Split Opt.	5112S

TIMING COVER

6 Cylinder

1977-1969	250/4.1L	
Seal (front entry)	2692
Seal (rear entry)	2942
Kwik Slv (Opt Rpr)	KWK99187
Harmonic Balancer		
Sleeves	88187
1977-1963	144/2.4, 170/2.8, 200/3.3	
Seal	7486S
Kwik Slv (Opt Rpr)	KWK99174
1972-1971	171/2.8L	
Seal Viton	2012S ³¹
Seal Viton	2012V
Kwik Slv (Opt Rpr)	KWK99166

8 Cylinder

1982-1961	exc. 281/4.6, 292/4.8	
Seal (front entry)	2692
Seal (rear entry)	2942
Kwik Slv (Opt Rpr)	KWK99187
Harmonic Balancer		
Sleeves	88187
1962	292/4.8L	
Seal	350936
Kwik Slv (Opt Rpr)	KWK99187
Harmonic Balancer		
Sleeves	88187

MERCURY - REAR DRIVE - Cougar, XR-7

FRONT WHEEL

1989	non-ABS brakes	
Hub Assy	513077[2]
1989	ABS brakes	
Hub Assy	513076[2]
1988-1984	XR7 Turbo	
Seal (inner)	9150S[2]
Set (inner)	SET5
Set (outer)	SET12
1988-1980	exc. XR7 turbo	
Seal (inner)	6815[2]
Set (inner)	SET17
Set (outer)	SET12
1979-1974		
Seal (inner)	6815[2]
Set (inner)	SET11
Set (outer)	SET12
1973-1970		
Seal (inner)	6815[2]
Set (inner)	SET13
Set (outer)	SET12
1969-1967		
Seal (inner)	6815[2]
Set (inner)	SET6
Set (outer)	SET2

REAR WHEEL

1989		
Bearing Assy	513058[2] ³¹
Set	SET49 ⁵⁵
1988-1980		
Seal	8660S[2]
Cyl. Bearing	5707[2]
Kit	TRP1563TAV[2] ¹⁹

REAR WHEEL (cont.)

1979-1977	9" ring gear; Disc brakes	
Seal (inner)	3186[2]
Bearing (inner)	88128RAP[2]
Seal (outer)	3794[2]
1979-1974	H/D axle; Roller bearing	
Seal	3195[2]
Set	SET20
1979-1974	exc. H/D; Roller ball bearing	
Seal	51098[2]
Bearing	514003P[2]
1973-1967	28-spline axle	
Seal	9569S[2]
Bearing	RW207CCRA[2]
1973-1967	31-spline axle	
Seal	9363S[2]
Bearing	RW207CCRA[2]

CLUTCH RELEASE

3-Lever Pressure Plates

1977-1963		
Bearing Assy	614034

Diaphragm Spring Pressure Plates

1989	6-cylinder: including Supercharged	
Bearing Assy	614061
1988-1983	6-cylinder	
Bearing Assy	614014
1983-1980	4-speed	
Bearing Assy	614013
1980-1975	exc. 6-cylinder 200 engine	
Bearing Assy	614014

[] Indicates Quantity Required; Set Components Listed Inside Rear Cover;

¹⁹ Opt. Axle Repair Bearing. Replaces O.E. bearing & seal.
below ⁵⁵ Opt. Replacement If 513058 Is Unavailable

³¹ When depleted use number listed directly

Bearings and Seals

Mfg./Year Model & Location Part No Mfg./Year Model & Location Part No

MERCURY - REAR DRIVE - Cougar, XR-7 (cont.)

CLUTCH RELEASE (cont.)

Diaphragm Spring Pressure Plates (con

1973-1962	8-cylinder: exc. 427, 428, 429	
	Bearing Assy	614038
1971-1966	8-cylinder: 427, 428, 429	
	Bearing Only	FA2065C

REAR AXLE

Differential Rebuild Kit

1989-1988	8.8" ring gear	
	Kit	DRK311
1989-1980	7.5" ring gear	
	Kit	DRK315
1979-1970	9" ring gear: production from 5/11/1970 on	
	Kit	DRK313
1970-1967	9" ring gear: production thru 5/10/1970	
	Kit	DRK312
1968-1967	8" ring gear	
	Kit	DRK310

Differential

1989	7.5" ring gear	
	Seal Viton	714569[2]
	Cone/Cup	LM501349-LM501314[2]
1989-1986	8.8" ring gear	
	Set	SET36[2]
1988-1980	7.5" ring gear	
	Cone/Cup	LM501349-LM501314[2]
1979-1970	production from 5/1970 on	
	Set	SET47
1970-1967	351 and larger engines: production thru 5/1970	
	Set	SET37
1968-1967	289, 302 engines	
	Set	SET45

Pinion

1989-1980	7.5", 8.8" ring gears	
	Cone/Cup (inner)	M802048-M802011
	Seal Viton (outer)	3604
	Cone/Cup (outer)	M88048-M88010
1979-1967	9" ring gear: 28-spline axle shaft	
	Cone/Cup	M88048-M88010[2]
	Seal (outer)	7044NA
	Cyl. Bearing (pilot)	R1535TAV
1974	WEC Heavy Duty axle: 9" ring gear	
	Cone/Cup (inner)	HM89443-HM89410
	Seal (outer)	7044NA
	Cone/Cup (outer)	M88048-M88010
	Cyl. Bearing (pilot)	R1535TAV
1974-1966	9" ring gear: 31-spline axle shaft	
	Cone/Cup (inner)	HM89443-HM89410
	Seal (outer)	7044NA
	Cone/Cup (outer)	M88048-M88010
	Cyl. Bearing (pilot)	R1535TAV

REAR AXLE (cont.)

Pinion (cont.)

1968-1967	WCZ, WDJ axles: 8" ring gear	
	Cone/Cup	M86649-M86610[2]
	Seal (outer)	8181NA
	Cyl. Bearing (pilot)	R1558TAV

3-SPEED AUTOMATIC TRANSMISSION

Torque Converter

1986-1981	C3	
	Seal	2658
1982-1967	C4, C5, C6	
	Seal	331107N
	Kwik Slv (Opt Rpr)	KWK99199
1979-1968	Cruise-o-Matic	
	Seal	331107N
	Kwik Slv (Opt Rpr)	KWK99199
1967	FX	
	Seal	6988H
	Kwik Slv (Opt Rpr)	KWK99193

Rear Seal/Ext. Housing

1986-1981	C3	
	Seal	2655
1982-1967	C4, C5	
	Seal	7692S
	Seal Kit	5202 ⁶⁴
1979-1968	Cruise-o-Matic	
	Seal	7300S
	Seal Kit	5203 ⁶⁴
1979-1967	C6	
	Seal	7300S
	Seal Kit	5203 ⁶⁴
1967	FX: 3-speed	
	Seal	473234

Selector Shaft Seal/Man. Shaft

1986-1981	C3	
	Seal	7929S
1982-1967	C4, C5	
	Seal	240816
	Kwik Slv (Opt Rpr)	KWK99076
1979-1968	Cruise-o-Matic	
	Seal	7929S
1979-1967	C6	
	Seal	7929S
1967	FX	
	Seal	7929S

4-SPEED AUTOMATIC TRANSMISSION

Torque Converter

1989-1981	AOT (AOD)	
	Seal	331107N
	Kwik Slv (Opt Rpr)	KWK99199

MERCURY - REAR DRIVE - Cougar, XR-7 (cont.)

4-SPEED AUTOMATIC TRANSMISSION

Rear Seal/Ext. Housing

1989-1981	AOT (AOD): long boot	
Seal		7692S
Seal Kit		5202 ⁶⁴
1989-1981	AOT (AOD): short boot	
Seal		2194

Selector Shaft Seal/Man. Shaft

1989-1981		
Seal		7929S

CLUTCH

Pilot Bearing

1989	exc. 4.6 V8	
Needle Bearing		FC65174
1988-1983		
Needle Bearing		FC65354
1974-1973	250, 302 engines	
Needle Bearing		FC65662

3-SPEED MANUAL TRANSMISSION

Front Input Shaft

1976-1967	Tremec 150, 160, 162	
Seal		3638
Bearing		208LO
Kwik Slv (Opt Rpr)		KWK99112
1967	Warner T86	
Seal		450326
Bearing		207L
Kwik Slv (Opt Rpr)		KWK99149

Rear Output Shaft

1976-1967	Tremec 150, 160, 162	
Seal		7692S
Bearing		207L
Seal Kit		5202 ⁶⁴
1967	Warner T86	
Seal		470059
Bearing		207L
Seal Kit		5201 ⁶⁴

Selector Shaft Seal/Man. Shaft

1967	Warner T86	
Seal		340797
Kwik Slv (Opt Rpr)		KWK99059

4-SPEED MANUAL TRANSMISSION

Input Shaft

1982-1981	German Design (ET)	
Seal		2503N
Bearing		207LO
Kwik Slv (Opt Rpr)		KWK99111
1973-1967	Tremec 170	
Seal		482208
Bearing		209L
Kwik Slv (Opt Rpr)		KWK99112

4-SPEED MANUAL TRANSMISSION

Rear Output Shaft

1982-1981	German Design (ET)	
Seal		2443
Bearing		108A
1973-1967	Tremec 170: 31-spline, 1.690" shaft	
Seal		473234
Bearing		307L
1973-1967	Tremec 170: 28-spline, 1.5" shaft	
Seal		470059
Bearing		307L
Seal Kit		5201 ⁶⁴

Selector Shaft Seal/Man. Shaft

1973-1967	Tremec 170	
Seal		313156

5-SPEED MANUAL TRANSMISSION

Front Input Shaft

1989	Mazda M5R2	
Seal		223012
Kwik Slv (Opt Rpr)		KWK99114
1986-1984	Warner T5, T5 World Class	
Seal		7412S
Set		SET5
Needle Bearing Thrust		FA55505
Kwik Slv (Opt Rpr)		KWK99125

Countershaft

1989	Mazda M5R2	
Cyl. Bearing (center)		MR1207EL
Bearing (rear)		304WB
1986-1985	Warner T5 World Class	
Cone/Cup (front)		LM67048-LM67010BCE
Set (rear)		SET6
Needle Bearing Thrust		NTA1423
1984	Warner T5	
Needle Bearing (front)		DK55836
Cyl. Bearing (rear)		5707
Needle Bearing Thrust		NTA1423

Mainshaft Pilot

1986-1984	Warner T5, T5 World Class	
Needle Bearing		QBR23549[15]

Mainshaft 1st Speed Gear

1986-1985	Warner T5 World Class	
Needle Bearing		F218255

Mainshaft 2nd Speed Gear

1986-1985	Warner T5 World Class	
Needle Bearing		F93934

Bearings and Seals

Mfg./Year Model & Location Part No Mfg./Year Model & Location Part No

MERCURY - REAR DRIVE - Cougar, XR-7 (cont.)

5-SPEED MANUAL TRANSMISSION

Rear Output Shaft

1989	Mazda M5R2	
Seal	710414
1986-1984	Warner T5, T5 World Class	
Seal	7692S
Cone/Cup	25877-25821
Seal Kit	5202 ⁶⁴

Extension Housing

1989	Mazda M5R2	
Seal	710415

ALTERNATOR

1989-1971	Motorcraft	
Bearing (drive end)	203FF
1989-1971	Motorcraft	
Bearing (rear end)	MNJ471S

CAMSHAFT SEAL

4 Cylinder

1986-1981	140/2.3L	
Seal	2955

CRANKSHAFT REAR SEAL

4 Cylinder

1986-1982	140/2.3L	
Seal Viton	3909
Seal PTFE H/D Opt.	5277
Kwik Slv (Opt Rpr)	KWK99363
1981	140/2.3L	
Seal Rope	5095
Seal Split Opt.	5108

6 Cylinder

1989-1984	232/3.8L From 1/1/83	
Seal Viton	3909
Seal PTFE H/D Opt.	5277
Kwik Slv (Opt Rpr)	KWK99363
1983	232/3.8L to 12/31/82	
Seal Rope	5095
Seal Split Opt.	5108
1983	232/3.8L From 1/1/83	
Seal Viton	3909
Seal PTFE H/D Opt.	5277
Kwik Slv (Opt Rpr)	KWK99363
1982	232/3.8L	
Seal Rope	5095
Seal Split Opt.	5108
1982-1980	200/3.3L	
Seal Rope	5095
Seal Split Opt.	5116

CRANKSHAFT REAR SEAL

8 Cylinder

1989-1984	281/4.6L, 302/5.0L	
Seal Viton	3909
Seal PTFE H/D Opt.	5277
Kwik Slv (Opt Rpr)	KWK99363
1983	302/5.0L Thru 11/82	
Seal Rope	5095
Seal Split Opt.	5108
1983	302/5.0L From 12/82	
Seal Viton	3909
Seal PTFE H/D Opt.	5277
Kwik Slv (Opt Rpr)	KWK99363
1982-1967	255/4.2, 260/4.3, 289/4.7, 302/5.0, 351/5.8 (C), 351/5.8 (W)	
Seal Rope	5095
Seal Split Opt.	5108
1979-1974	351/5.8 (M), 400/6.6	
Seal Rope	5095
Seal Split Opt.	5117
1976-1974	460/7.5L	
Seal Rope	5095
Seal Split Opt.	5118
1971-1970	429/7.0	
Seal Rope	5095
Seal Split Opt.	5118
1970-1967	390/6.4, 427/7.0, 428/7.5	
Seal Rope	5095
Seal Split Opt.	5112S

TIMING COVER

4 Cylinder

1986-1981	140/2.3L	
Seal	2955

6 Cylinder

1987-1982	232/3.8L	
Seal (front)	2692
Seal (rear entry)	2942
Kwik Slv (Opt Rpr)	KWK99187
Harmonic Balancer	
Sleeves	88187
1982-1980	200/3.3L	
Seal	7486S
Kwik Slv (Opt Rpr)	KWK99174

8 Cylinder

1989-1967	exc. 281/4.6	
Seal (front entry)	2692
Seal (rear entry)	2942
Kwik Slv (Opt Rpr)	KWK99187
Harmonic Balancer	
Sleeves	88187

MERCURY - REAR DRIVE - Monarch

FRONT WHEEL

1980-1975

Seal (inner)	6815[2]
Set (inner)	SET13
Set (outer)	SET12

REAR WHEEL

1980

Seal	9569S[2]
Bearing	RW207CCRA[2]

1979-1975 drum brakes: exc. WER axle

Seal	9569S[2]
Bearing	RW207CCRA[2]

1979-1975 drum brakes: WER axle

Seal	8660S[2]
Cyl. Bearing	5707[2]
Kit	TRP1563TAV[2] ¹⁹

1979-1975 disc brakes

Seal	51098[2]
Bearing	88128RAP[2]

REAR AXLE

Differential Rebuild Kit

1980-1975 9" ring gear: production from 5/11/1970 on

Kit	DRK313
-----------	--------

1979-1975 7.75", 8" ring gears

Kit	DRK310
-----------	--------

Differential

1980-1975 8" ring gear

Set	SET45
-----------	-------

1980-1975 9" ring gear

Set	SET47
-----------	-------

1978-1975 8.7" ring gear

Set	SET47
-----------	-------

Pinion

1980 9" ring gear

Cone/Cup	M88048-M88010[2]
Seal (outer)	3700
Cyl. Bearing (pilot)	R1535TAV

1980-1979 6.75" ring gear

Cone/Cup (inner)	HM88648-HM88610
Seal (outer)	3618
Cone/Cup (outer)	M86649-M86610

1980-1979 7.5" ring gear

Cone/Cup (inner)	M802048-M802011
Seal Viton (outer)	3604
Cone/Cup (outer)	M88048-M88010

1980-1979 8" ring gear

Cone/Cup	M86649-M86610[2]
Seal (outer)	3618
Set (pilot)	SET45

1978 7.5" ring gear

Cone/Cup (inner)	M802048-M802011
Seal (outer)	9190N
Cone/Cup (outer)	M88048-M88010

REAR AXLE (cont.)

Pinion (cont.)

1978-1975 8" ring gear

Cone/Cup	M86649-M86610[2]
Seal (outer)	8181NA
Set (pilot)	SET45

1978-1975 8.7" ring gear

Cone/Cup (inner)	M802048-M802011
Seal (outer)	9190N
Cone/Cup (outer)	M88048-M88010

1978-1975 9" ring gear

Cone/Cup	M88048-M88010[2]
Seal (outer)	7044NA
Cyl. Bearing (pilot)	R1535TAV

3-SPEED AUTOMATIC TRANSMISSION

Torque Converter

1980 C3

Seal	2658
------------	------

1980-1975 C4, C5, C6

Seal	331107N
Kwik Slv (Opt Rpr)	KWK99199

1980-1975 Jatco 3N71: 3-speed

Seal Viton	2025
Kwik Slv (Opt Rpr)	KWK99166

Rear Seal/Ext. Housing

1980 C3

Seal	2655
------------	------

1980-1975 C4, C5

Seal	7692S
Seal Kit	5202 ⁶⁴

1980-1975 Jatco 3N71

Seal	3771
------------	------

1976-1975 C6

Seal	7300S
Seal Kit	5203 ⁶⁴

Selector Shaft Seal/Man. Shaft

1980 C3

Seal	7929S
------------	-------

1980-1975 C4, C5

Seal	240816
Kwik Slv (Opt Rpr)	KWK99076

1976-1975 Cruise-o-Matic

Seal	7929S
------------	-------

1976-1975 C6

Seal	7929S
------------	-------

CLUTCH

Pilot Bearing

1976-1975 250, 302 engines

Needle Bearing	FC65662
----------------------	---------

[] Indicates Quantity Required; Set Components Listed Inside Rear Cover;

¹⁹ Opt. Axle Repair Bearing. Replaces O.E. bearing & seal.

⁶⁴ Opt. Seal and Bushing Kit

Bearings and Seals

Mfg./Year Model & Location Part No Mfg./Year Model & Location Part No

MERCURY - REAR DRIVE - Monarch (cont.)

3-SPEED MANUAL TRANSMISSION

Front Input Shaft

1976-1975 Tremec 150, 160, 162
 Seal 3638
 Bearing 208LO

Rear Output Shaft

1976-1975 Tremec 150, 160, 162
 Seal 7692S
 Bearing 207L
 Seal Kit 5202⁶⁴

4-SPEED MANUAL TRANSMISSION

Input Shaft

1979 Tremec 170, 171, 172, 173, 179
 Seal 3638
 Bearing 209L
 Kwik Slv (Opt Rpr)KWK99112
1979-1975 German Design (ET)
 Seal 2503N
 Bearing 207LO
1978-1975 Tremec 170
 Seal 482208
 Bearing 209L
 Kwik Slv (Opt Rpr)KWK99112

Rear Output Shaft

1979 Tremec 170, 171, 174
 Seal 7692S
 Bearing 307L4
 Seal Kit 5202⁶⁴
1979-1975 German Design (ET)
 Seal 2443
 Bearing 108A
1978-1977 Tremec 170
 Seal 7692S
 Bearing 209L
 Seal Kit 5202⁶⁴

ALTERNATOR

1980-1975 Motorcraft
 Bearing (drive end)203FF
1980-1975 Motorcraft
 Bearing (rear end)MNJ471S

CRANKSHAFT REAR SEAL

6 Cylinder

1980-1975 250/4.1L
 Seal Rope5095
 Seal Split Opt. 5108
1977-1975 200/3.3L
 Seal Rope5095
 Seal Split Opt. 5116

8 Cylinder

1982-1962 255/4.2L, 302/5.0L, 351/5.8L
 Seal Rope5095
 Seal Split Opt. 5108

TIMING COVER

6 Cylinder

1980-1975 250/4.1L
 Seal (front entry)2692
 Seal (rear entry) 2942
 Kwik Slv (Opt Rpr)KWK99187
 Harmonic Balancer
 Sleeves 88187
1977-1975 200/3.3L
 Seal 7486S
 Kwik Slv (Opt Rpr)KWK99174

8 Cylinder

1980-1975 255/4.2L, 302/5.0L, 351/5.8L
 Seal (front entry)2692
 Seal (rear entry)2942
 Kwik Slv (Opt Rpr)KWK99187
 Harmonic Balancer
 Sleeves 88187

MERCURY - REAR DRIVE - Zephyr

FRONT WHEEL

1983-1978
 Seal (inner) 6815[2]
 Set (inner)SET17
 Set (outer)SET12

REAR WHEEL

1983-1980 6.75" ring gear
 Seal 3214[2]
 Bearing RW207CCRA[2]

REAR WHEEL (cont.)

1983-1978 7.5" ring gear: WGX axle
 Seal 8660S[2]
 Cyl. Bearing 5707[2]
 Kit TRP1563TAV[2]¹⁹
1979-1978 6.75" ring gear
 Bearing RW207CCRA[2]

402 [] Indicates Quantity Required; Set Components Listed Inside Rear Cover;

¹⁹ Opt. Axle Repair Bearing. Replaces O.E. bearing & seal.

⁶⁴ Opt. Seal and Bushing Kit

MERCURY - REAR DRIVE - Zephyr (cont.)

REAR AXLE

Differential Rebuild Kit

1983-1978
KitDRK315

Differential

1983-1978
Cone/CupLM501349-LM501314[2]

Pinion

1983-1978
Cone/Cup (inner) M802048-M802011
Seal Viton (outer) 3604
Cone/Cup (outer) M88048-M88010

3-SPEED AUTOMATIC TRANSMISSION

Torque Converter

1983-1980 C3
Seal 2658
1983-1980 C4, C5
Seal 331107N
Kwik Slv (Opt Rpr)KWK99199

Rear Seal/Ext. Housing

1983-1980 C3
Seal 2655
1983-1980 C4, C5
Seal 7692S
Seal Kit 5202⁶⁴

Selector Shaft Seal/Man. Shaft

1983-1980 C3
Seal 7929S
1983-1980 C4, C5
Seal 240816
Kwik Slv (Opt Rpr)KWK99076

4-SPEED AUTOMATIC TRANSMISSION

Selector Shaft Seal/Man. Shaft

1983-1978 Tremec 171
Seal 313156

CLUTCH

Pilot Bearing

1983-1978 2.3 litre
Needle Bearing FC65354

Release Bearing

1986-1979 2.3 litre engine: German trans
Bearing Assy 614013
1982-1978 2.3, 3.3 engines: U.S. trans
Bearing Assy 614014
1979-1978 5.0 V8 engine
Bearing Assy 614014

4-SPEED MANUAL TRANSMISSION

Input Shaft

1983-1980 Tremec 171
Seal 3638
Bearing308LTB
1983-1978 German Design
Seal 2503N
Bearing 207LO
Kwik Slv (Opt Rpr)KWK99111

Mainshaft Pilot

1983-1980 Tremec 171
Needle Bearing QBR23549

Countershaft

1983-1980 Tremec 171
Needle Bearing QAR33724
1983-1978 German Design
Needle Bearing (front) C407Q
Needle Bearing (rear) B1316Q

Rear Output Shaft

1983-1980 Tremec 171
Seal 7692S
Bearing308LTB
Seal Kit 5202⁶⁴

ALTERNATOR

1983-1978 Motorcraft
Bearing (drive end)203FF
1983-1978 Motorcraft
Bearing (rear end)MNJ471S

CAMSHAFT SEAL

4 Cylinder

1983-1978 140/2.3L
Seal 2955

CRANKSHAFT REAR SEAL

4 Cylinder

1983-1982 140/2.3L
Seal Viton 3909
Kwik Slv (Opt Rpr)KWK99363
Seal PTFE H/D Opt. 5277
1981-1978 140/2.3L
Seal Rope 5095
Seal Split Opt. 5108

6 Cylinder

1983-1978 200/3.3L
Seal Rope 5095
Seal Split Opt. 5116

[] Indicates Quantity Required; Set Components Listed Inside Rear Cover;
⁶⁴ Opt. Seal and Bushing Kit

Bearings and Seals

Mfg./Year Model & Location Part No Mfg./Year Model & Location Part No

MERCURY - REAR DRIVE - Zephyr (cont.)

CRANKSHAFT REAR SEAL

8 Cylinder

1982-1978 255/4.2L, 302/5.0L
 Seal Rope5095
 Seal Split Opt.5108

TIMING COVER

4 Cylinder

1983-1978 140/2.3L
 Seal2955

6 Cylinder

1983-1978 200/3.3L
 Seal7486S
 Kwik Slv (Opt Rpr)KWK99174

TIMING COVER

8 Cylinder

1983-1978 255/4.2L, 302/5.0L
 Seal (front entry)2692
 Seal (rear entry)2942
 Kwik Slv (Opt Rpr)KWK99187
 Harmonic Balancer
 Sleeves88187

MERKUR

FRONT WHEEL

1989-1986 Scorpio
 Seal (inner)536810XX[2]
 SetSET24[2]
 1989-1985 XR4Ti
 Seal (inner)3743[2]
 SetSET24[2]

REAR WHEEL

1989-1985
 Seal224252[2]
 SetSET24

REAR AXLE

Differential

1989-1987 Scorpio
 Cone/CupLM29749-LM29711[2]
 1988-1985 XR4Ti
 Cone/CupLM501349-LM501310[2]

REAR AXLE

Pinion

1988-1985 all
 Cone/Cup (inner)HM89449-HM89410
 Cone/Cup (outer)HM88542-HM88510

CLUTCH

Pilot Bearing

1989-1987 Scorpio
 Needle BearingFC65354
 1989-1985 XR4Ti
 Needle BearingFC65354

Release Bearing

1989-1987 Scorpio
 Bearing OnlyF01267C
 1989-1985 XR4Ti
 Bearing Assy614014

METROPOLITAN - see also AUSTIN

FRONT WHEEL

1962-1956 540: ball bearing
 Seal (inner)471192[2]
 Bearing (inner)7205[2]
 Bearing (outer)7303[2]
 1962-1956 540: roller bearing conversion
 Seal (inner)471192[2]
 Bearing Assy (inner)30205M[2]²¹
 Bearing Assy (outer)30303[2]
 1962-1956 560: ball bearing
 Seal (inner)471192[2]
 Bearing (inner)7205[2]
 Bearing (outer)7303[2]

FRONT WHEEL (cont.)

1962-1956 560: roller bearing conversion
 Seal (inner)471192[2]
 Bearing Assy (inner)30205M[2]²¹
 Bearing Assy (outer)30303[2]

REAR WHEEL

1962-1956 540
 Seal472164[2]
 Bearing1207TB[2]
 1962-1956 560
 Seal472164[2]
 Bearing1207TB[2]

404 [] Indicates Quantity Required; Set Components Listed Inside Rear Cover;

²¹ Tapered bearing conv.: Discard spacer, replace 1/8" washer w/1/16" washer. If rubber seal, machine off 1/16", press fit flush w/hub.

METROPOLITAN - see also AUSTIN (cont.)

REAR AXLE

Differential

1962-1957 560
 Bearing 7207[2]

Pinion

1962-1956 540
 Cone/Cup (inner) 15100-15250X
 Cone/Cup (outer) 02473-02420
1962-1956 560
 Cone/Cup (outer) M88043-M88010

M.G. - see also AUSTIN-MORRIS

FRONT WHEEL

1980-1963 MGB, MGB-GT, MGB-V8
 Seal (inner) 224820[2]
 Set (inner) SET6
 Set (outer) SET2
1980-1960 Midget: ball bearing
 Seal (inner) 471192[2]
 Bearing (inner) 7205[2]
 Bearing (outer) 7303[2]
1980-1960 Midget: roller bearing conversion
 Seal (inner) 471192[2]
 Bearing Assy (inner) 30205M[2]²¹
 Bearing Assy (outer) 30303[2]
1974-1967 MGC
 Set (inner) SET6
 Set (outer) SET2
1967-1954 Magnette: drum brakes
 Seal (inner) 451948[2]
 Cone/Cup (inner) LM67048-LM67010[2]
 Set (outer) SET2
1967-1954 Magnette: disc brakes
 Set (inner) SET6
 Set (outer) SET2
1963-1954 MGA: drum brakes
 Seal (inner) 451948[2]
 Cone/Cup (inner) LM67048-LM67010[2]
 Set (outer) SET2
1963-1954 MGA: disc brakes
 Set (inner) SET6
 Set (outer) SET2

REAR WHEEL

1980-1963 MGB
 Seal 473234[2]
 Bearing RW118[2]
1980-1963 MGB-GT
 Seal 473234[2]
 Bearing RW118[2]
1980-1960 Midget
 Seal 472164[2]
 Bearing 207[2]

REAR AXLE

Differential

1979-1966 MGB, MGB-GT: integral carrier
 Set SET36
1979-1961 Midget
 Bearing 7207[2]

Pinion

1980-1968 MGB: banjo type differential
 Cone/Cup (inner) HM801346X-HM801310
 Seal (outer) 481837
 Cone/Cup (outer) M88048-M88010
1980-1968 MGB: tube type differential
 Cone/Cup (inner) HM801346X-HM801310
 Seal (outer) 224470
 Cone/Cup (outer) M88048-M88010
1980-1968 MGB-GT
 Cone/Cup (inner) HM801346X-HM801310
 Seal (outer) 224470
 Cone/Cup (outer) M88048-M88010
1980-1965 Midget
 Cone/Cup (inner) M88048-M88010
 Seal (outer) 51098
 Cone/Cup (outer) M84548-M84510
1971-1967 MGC, MGC-GT
 Cone/Cup (inner) HM801346X-HM801310
 Seal (outer) 224470
 Cone/Cup (outer) M88048-M88010
1968-1963 MGB: banjo type differential
 Cone/Cup (inner) 3188S-3120
 Seal (outer) 481837
 Cone/Cup (outer) 15100S-15250X
1968-1963 MGB: tube type differential
 Cone/Cup (inner) 3188S-3120
 Seal (outer) 224470
 Cone/Cup (outer) 15100S-15250X
1968-1963 MGB-GT
 Cone/Cup (inner) 3188S-3120
 Seal (outer) 224470
 Cone/Cup (outer) 15100S-15250X

[] Indicates Quantity Required; Set Components Listed Inside Rear Cover;

²¹ Tapered bearing conv.: Discard spacer, replace 1/8" washer w/1/16" washer. If rubber seal, machine off 1/16", press fit flush w/hub.

Bearings and Seals

Mfg./Year Model & Location Part No Mfg./Year Model & Location Part No

M.G. - see also AUSTIN-MORRIS (cont.)

REAR AXLE (cont.)

Pinion (cont.)

1967-1954	Magnette	
	Cone/Cup (inner)	3188-3120
	Seal (outer)	51098
	Cone/Cup (outer)	15100-15250X

CLUTCH

Release Bearing

1980-1975	Midget: 1500cc	
	Bearing Only	TR1716 ³⁰
1980-1963	MGB	
	Bearing Only	MG1716 ³⁰
1975-1960	Midget: 1275cc	
	Bearing Only	AU1715C ³⁰
1969-1968	MGC	
	Bearing Only	MG1716 ³⁰
1967-1963	1100	
	Bearing Assy	614104 ³⁰

CLUTCH (cont.)

Release Bearing (cont.)

1962-1956	MGA	
	Bearing Only	AU1715C ³⁰
1955-1954	MG TF	
	Bearing Only	AU1715C ³⁰
1953-1951	MG TD	
	Bearing Only	AU1715C ³⁰
1951-1947	MG TC	
	Bearing Only	AU1715C ³⁰

MITSUBISHI - FRONT DRIVE - Cordia, Galant, Galant AWD, Galant Sigma, Mirage, Precis, Tredia

FRONT WHEEL

1989-1988	Galant	
	Seal (inner)	225450[2]
	Bearing (inner)	513036[2]
	Seal (outer)	225230[2]
1989-1988	Precis	
	Seal (inner)	474134[2]
	Set	SET41[2]
1989-1988	Mirage	
	Seal (inner)	474134[2]
	Set	SET41[2]
1989-1983	Starion	
	Seal (inner)	494122[2]
	Set (inner)	SET6
	Set (outer)	SET2
1988-1983	Cordia	
	Seal (inner)	474134[2]
	Set	SET41[2]
1988-1983	Tredia	
	Seal (inner)	474134[2]
	Set	SET41[2]
1987-1985	Galant	
	Seal (inner)	225082[2]
	Bearing (inner)	513036[2]
	Seal (outer)	225230[2]

REAR WHEEL

1989	Eclipse: front drive: ABS brakes	
	Hub Assy	512011[2]
1989	Precis	
	Seal (inner)	710404[2]
	Bearing Assy	516000[2]
1989	Galant w/ disc brakes	
	Hub Assy	512158[2]

REAR WHEEL (cont.)

1989-1983	Galant: front drive: drum brakes	
	Seal (inner)	1196[2]
	Set (inner)	SET4
	Set (outer)	SET1
1989	Mirage: drum brakes	
	Seal (inner)	1205N[2]
	Bearing Assy	516001WB[2]
1989-1985	Galant Sigma: front drive	
	Seal (inner)	494122[2]
	Set (inner)	SET6
	Set (outer)	SET2
1989	Mirage: disc brakes	
	Seal (inner)	1205N[2]
	Bearing Assy	516000[2]
1989-1983	Starion	
	Seal (inner)	474161[2]
	Bearing (inner)	206F[2]
	Bearing (outer)	207F[2]
1988	Precis	
	Seal (inner)	474134[2]
	Set (inner)	SET4
	Set (outer)	SET1
1988-1985	Mirage	
	Seal (inner)	1205N[2]
	Bearing Assy	513029[2]
1988-1984	Tredia	
	Seal (inner)	1196[2]
	Set (inner)	SET4
	Set (outer)	SET1
1988-1983	Cordia	
	Seal (inner)	1196[2]
	Set (inner)	SET4
	Set (outer)	SET1

MITSUBISHI - FRONT DRIVE - Cordia, Galant, Galant AWD, Galant Sigma, Mirage, Precis, Tredia (cont.)

REAR WHEEL (cont.)

1987	Precis	
	Seal (inner) 1196[2]
	Set (inner) SET4
	Set (outer) SET1
1987-1985	Galant	
	Seal (inner) 1196[2]
	Set (inner) SET4
	Set (outer) SET1

REAR AXLE

Differential

1989-1984	Starion Turbo	
	Seal 710335[2]
	Cone/Cup 17887-17831[2]

Pinion

1988-1986	Starion: Intercooled turbo	
	Cone/Cup (inner) HM89449-HM89410
	Seal (outer) 224570
	Cone/Cup (outer) M88043-M88010
1988-1983	Starion: non-Intercooled turbo	
	Cone/Cup (inner) HM89449-HM89410
	Seal (outer) 224255
	Cone/Cup (outer) M86649-M86610

TRANSMISSION REBUILD KIT

1989-1986	4 & 5 spd w/Tapered Bearings & Kit TRKM100
1989-1987	Precis 5 spd Kit TRKC110
1988-1983	Tredia/Cordia 4 & 5 spd Kit TRKC110
1986-1985	fwd 5 spd Kit TRKC110

CLUTCH

Pilot Bearing

1989	6-cylinder 3.0	
	Bearing 203FF
1989-1983	4-cylinder 2.0, 2.4, 2.6	
	Bearing 102CC

Release Bearing

1989-1984	Galant Series: front drive	
	Bearing Assy 614126
1989-1984	Mirage: front drive	
	Bearing Assy 614126
1989-1987	Precis	
	Bearing Assy 614126
1989	Sigma	
	Bearing Assy 614126
1989-1988	Starion: V6	
	Bearing Assy 614107
1989-1985	Starion: Intercooled turbo	
	Bearing Assy 614053
1988-1983	Cordia	
	Bearing Assy 614126

CLUTCH (cont.)

Release Bearing (cont.)

1988-1982	Tredia	
	Bearing Assy 614126
1987-1983	Starion: non-turbo	
	Bearing Assy 614016

3-SPEED AUTOMATIC TRANSAXLE

Torque Converter

1989-1984		
	Seal 320583
	Kwik Slv (Opt Rpr) KWK99157

Transfer Shaft

1989-1984	KM171-1, KM171-2, KM172-0, KM171-5	
	Bearing Assy (inner) 30206M
	Bearing Assy (outer) 30304

Output Shaft

1989-1984		
	Seal 223543[2]
	Kwik Slv (Opt Rpr) KWK99139[2]

Differential

1988-1985	KM171-1, KM171-2	
	Bearing 207[2]
1988-1984	KM172-0	
	Bearing Assy 30207M[2]

4-SPEED AUTOMATIC TRANSAXLE

Differential

1989-1985	F4A21-2, F4A22-2, F4A33-1, KM176-5, KM177-0	
	Bearing 207[2]
1989-1985	KM177-8	
	Bearing 206WB[2]

Torque Converter

1989-1985	F4A21-2, F4A22-2, F4A33-1, KM176-5, KM175-5, KM177-0, KM177-8, W4A32-1, W4A33-1	
	Seal 320583
	Kwik Slv (Opt Rpr) KWK99157

Output Shaft

1989-1985	F4A21-2, F4A22-2, F4A33-1, KM176-5, KM175-5, KM177-0, KM177-8	
	Seal 223543[2]
	Kwik Slv (Opt Rpr) KWK99139

Bearings and Seals

Mfg./Year Model & Location Part No Mfg./Year Model & Location Part No

MITSUBISHI - FRONT DRIVE - Cordia, Galant, Galant AWD, Galant Sigma, Mirage, Precis, Tredia (cont.)

ALTERNATOR

1989-1984	65 amp	
	Bearing (drive end)	302CC
1989-1987	50 amp	
	Bearing (drive end)	203FF
	Bearing (rear end)	201SS
1989-1987	55 amp	
	Bearing (drive end)	203FF
	Bearing (rear end)	201SS
1986-1985	45 amp	
	Bearing (drive end)	202FF
	Bearing (rear end)	201SS
1986-1985	55 amp	
	Bearing (drive end)	202FF
	Bearing (rear end)	201SS
1986-1983	50 amp	
	Bearing (drive end)	202FF
	Bearing (rear end)	201SS
1986-1983	65 amp	
	Bearing (drive end)	302SS
	Bearing (rear end)	201S
1985-1983	55 amp	
	Bearing (drive end)	302SS
	Bearing (rear end)	201SS

CRANKSHAFT REAR SEAL

4 Cylinder

1989-1985	1468cc/1.5L, 1597cc/1.6L, 1755cc/1.8L	
	Seal	227235
1989-1983	1595cc/1.6L, 1795cc/1.8L, 1997cc/2.0L, 2351cc/2.4L	
	Seal Viton	228005
	Kwik Slv (Opt Rpr)	KWK99315

CRANKSHAFT REAR SEAL (cont.)

4 Cylinder (cont.)

1989-1983	2555cc/2.6L	
	Seal Viton	228005
	Kwik Slv (Opt Rpr)	KWK99315

6 Cylinder

1989-1988	2497cc/2.5L, 2972cc/3.0L	
	Seal Viton	710056
	Seal PTFE H/D Opt.	5279

TIMING COVER

4 Cylinder

1989-1985	1468cc/1.5L	
	Seal	223018
	Kwik Slv (Opt Rpr)	KWK99114
1989-1983	1595cc/1.6L, 1755cc/1.8L, 1795cc/1.8L, 1997cc/2.0L, 2351cc/2.4L	
	Seal	224460
1989-1983	2555cc/2.6L	
	Seal	224840
	Kwik Slv (Opt Rpr)	KWK99189

6 Cylinder

1989-1988	2497cc/2.5L, 2972cc/3.0L, 3496cc/3.5L	
	Seal	223750

MITSUBISHI - REAR DRIVE - Starion

FRONT WHEEL

1989-1983	
	Seal (inner)
	Set (inner)
	Set (outer)

REAR WHEEL

1989-1983	
	Seal (inner)
	Bearing (inner)
	Bearing (outer)

REAR AXLE

Differential

1989-1984	
	Seal
	Cone/Cup
	Kwik Slv (Opt Rpr)

REAR AXLE

Pinion

1989-1988	
	Cone/Cup (inner)
	Seal (outer)
	Cone/Cup (outer)
	Kwik Slv (Opt Rpr)
1987-1984	(Posi-trac)
	Cone/Cup (inner)
	Seal (outer)
	Cone/Cup (outer)
	Kwik Slv (Opt Rpr)
1987-1984	(exc. Posi-trac)
	Cone/Cup (inner)
	Seal (outer)
	Cone/Cup (outer)
	Kwik Slv (Opt Rpr)

MITSUBISHI - REAR DRIVE - Starion (cont.)

4-SPEED AUTOMATIC TRANSMISSION

Torque Converter

1989-1983 L4N71B
 Seal Viton 2025
 Kwik Slv (Opt Rpr)KWK99166

Rear Seal/Ext. Housing

1989-1983 L4N71B
 Seal 223801

CLUTCH - 4 CYLINDER

Pilot Bearing

1989-1984 2555cc/2.6L
 Bearing 102CC

Release Bearing

1989-1984 2555cc/2.6L (225mm Clutch)
 Bearing Assy 614016
1989-1984 2555cc/2.6L (Intercooled)(225mm
 Clutch)
 Bearing Assy 614053

5-SPEED MANUAL TRANSMISSION

Front Input Shaft

1989-1988 KM132M
 Seal 223014
 Kwik Slv (Opt Rpr)KWK99114
1987-1985 KM132G
 Seal 223014
 Bearing 307L
 Kwik Slv (Opt Rpr)KWK99114
1984 KM132B
 Seal 223014
 Bearing 207L
 Kwik Slv (Opt Rpr)KWK99114

Countershaft

1989-1983 KM132G, KM132M
 Bearing Assy 30205M[2]

5-SPEED MANUAL TRANSMISSION

Rear Output Shaft

1989-1984 KM132-B, KM145-G, KM145-M
 Seal 223608
 Bearing 511014

Selector Shaft Seal/Man. Shaft

1989-1984 KM132B, KM132G
 Seal 710222

ALTERNATOR

1989-1983 Mitsubishi 65 amp
 Bearing (drive end) 302SS
1989-1983 Mitsubishi 65 amp
 Bearing (rear end) 210S

CAMSHAFT SEAL

4 Cylinder

1989-1983 2555cc/2.6L
 Seal 222330

CRANKSHAFT REAR SEAL

4 Cylinder

1989-1983 2555cc/2.6L
 Seal Viton 228005
 Kwik Slv (Opt Rpr)KWK99315

TIMING COVER

4 Cylinder

1989-1983 2555cc/2.6L
 Seal 224840
 Kwik Slv (Opt Rpr)KWK99139

MITSUBISHI TRUCK - MINIVAN, PICKUP, SUV - Mighty Max, Montero, Nativa, Van, Wagon

FRONT WHEEL

2WD

1989-1983
 Seal (inner) 225010[2]
 Set (inner) SET5
 Set (outer) SET3

FRONT WHEEL

4WD

1989-1983
 Seal (inner) 225875[2]
 Set SET47[2]

REAR WHEEL

1989-1983 Pickups
 Seal (inner) 4989[2]
 Bearing Assy (inner) 30208M[2]
 Seal (outer) 225010[2]

Bearings and Seals

Mfg./Year Model & Location Part No Mfg./Year Model & Location Part No

MITSUBISHI TRUCK - MINIVAN, PICKUP, SUV - Mighty Max, Montero, Nativa, Van, Wagon (cont.)

REAR WHEEL (cont.)

1989-1988 Van/Wagon
 Seal (inner) 223550[2]
 Cone/Cup (inner) LM29749-LM29710[2]
 Seal (outer) 224510[2]

FRONT AXLE

Differential

1989 6-cyl
 Seal 710151[2]
 Cone/Cup 17887-17831[2]
1989 4-cyl
 Seal 710335[2]
 Cone/Cup 17887-17831[2]
 Kwik Slv (Opt Rpr) KWK99139[2]
1988-1983
 Seal 710335[2]
 Cone/Cup 17887-17831[2]
 Kwik Slv (Opt Rpr) KWK99139[2]

Pinion

1989 4-cyl
 Cone/Cup (inner) HM89449-HM89410
 Seal (outer) 224255
 Cone/Cup (outer) M86649-M86610
 Kwik Slv (Opt Rpr) KWK99169
1989 6-cyl
 Cone/Cup (inner) HM89449-HM89410
 Seal (outer) 1943
 Cone/Cup (outer) M88043-M88010
 Kwik Slv (Opt Rpr) KWK99169
1988-1983
 Cone/Cup (inner) HM89449-HM89410
 Seal (outer) 224255
 Cone/Cup (outer) M86649-M86610
 Kwik Slv (Opt Rpr) KWK99169

REAR AXLE

Differential

1989-1983
 Cone/Cup 17887-17831[2]

Pinion

1989 Mighty Max, Montero; (4-cyl)
 Cone/Cup (inner) HM89449-HM89410
 Seal (outer) 224570
 Cone/Cup (outer) M88043-M88010
 Kwik Slv (Opt Rpr) KWK99177
1989 Mighty Max, Montero; (6-cyl)
 Cone/Cup (inner) HM89249-HM89210
 Seal (outer) 224570
 Cone/Cup (outer) M88043-M88010
 Kwik Slv (Opt Rpr) KWK99177

REAR AXLE (cont.)

Pinion (cont.)

1989 Van / Wagon
 Cone/Cup (inner) HM89449-HM89410
 Seal (outer) 224570
 Cone/Cup (outer) M88043-M88010
 Kwik Slv (Opt Rpr) KWK99177
1988-1983
 Cone/Cup (inner) HM89449-HM89410
 Seal (outer) 224255
 Cone/Cup (outer) M88043-M88010
 Kwik Slv (Opt Rpr) KWK99177

TRANSFER CASE REBUILD KIT

1989-1983 KM100
 Kit TRKFM230

TRANSMISSION REBUILD KIT

1989-1988 Montero 4x4, V6
 Kit TRKFM200
1989-1986 Montero
 Kit TRKFM130
1989-1987 KM145-8
 Kit TRKFM120
1989-1986 V5MT2
 Kit TRKFM200
1989-1987 KM132-9
 Kit TRKFM120
1988-1982 KM132-9
 Kit TRKFM110
1988-1982 KM132-8
 Kit TRKFM140
1986-1983 Montero 1/83-3/86
 Kit TRKFM110
1986-1982 KM132-E, KM145-1, KM145-2
 Kit TRKFM110
1985-1981 KM130, KM144
 Kit TRKFM190

3-SPEED AUTOMATIC TRANSMISSION

Torque Converter

1986-1983 A904
 Seal 331228H
 Kwik Slv (Opt Rpr) KWK99149

Rear Seal/Ext. Housing

1986-1983 A904
 Seal 2506
 Bearing 206LOE³⁸

Selector Shaft Seal/Man. Shaft

1986-1983 A904
 Seal 8609

410 [] Indicates Quantity Required; Set Components Listed Inside Rear Cover;

³⁸ Use Old Snap Ring

MITSUBISHI TRUCK - MINIVAN, PICKUP, SUV - Mighty Max, Montero, Nativa, Van, Wagon (cont.)

4-SPEED AUTOMATIC TRANSMISSION

Torque Converter

1989-1987	Aisin	
Seal	223830
Kwik Slv (Opt Rpr)	KWK99147

Rear Seal/Ext. Housing

1989-1987	Aisin 03-72	
Seal	710319

CLUTCH

Pilot Bearing

1989	6-cylinder 3.0	
Bearing	203FF
1989-1983	4-cylinder 2.0, 2.4, 2.6	
Bearing	102CC

Release Bearing

1989	2972cc/3.0L	
Bearing Assy	614107
1989-1987	2350cc/2.4L	
Bearing Assy	614016
1989-1983	2555cc/2.6L	
Bearing Assy	614016
1989-1983	2000cc/2.0L	
Bearing Assy	614016
1985-1983	2300/2.3L diesel	
Bearing Assy	614016

4-SPEED MANUAL TRANSMISSION

Input Shaft

1985-1983		
Seal	223014
Bearing	307L
Kwik Slv (Opt Rpr)	KWK99114

Countershaft

1985-1983	KM130-1, KM130-4	
Bearing (front)	5205KLE
1984-1983	KM144-0, KM144-3	
Bearing (center)	5205KLE

Rear Output Shaft

1985-1983		
Seal	223608
Bearing	207L

5-SPEED MANUAL TRANSMISSION

Front Input Shaft

1989-1983		
Seal	223014
Bearing	307L
Kwik Slv (Opt Rpr)	KWK99114

5-SPEED MANUAL TRANSMISSION

Countershaft

1989-1987	KM132-1	
Bearing Assy	30205M[2]
1989-1983	KM132-E, KM132-9, KM145-2, KM145-4, KM145-8	
Cone/Cup	XAA30205-YAA30205[2]
1989-1983	KM145-1, KM145-5, KM145-9	
Cone/Cup (front)	XAA30205-YAA30205
Bearing (rear)	304WB
1989-1983	KM132-J, KM132-K, KM132-8	
Bearing (center)	5205KLE

Rear Output Shaft

1989-1987	KM132-1, KM145-8, KM145-9	
Seal	223608
Bearing	511014
1989-1983	KM132-J, KM132-K, KM132-8	
Seal	223608
Bearing	RW122
1986-1983	KM145-1 thru KM145-5	
Seal	223608
Bearing	205BB
1986-1983	KM132-E, KM132-9	
Seal	223608

ALTERNATOR

1989-1984	65 amp	
Bearing (drive end)	302CC
1989-1987	50 amp	
Bearing (drive end)	203FF
Bearing (rear end)	201SS
1989-1987	55 amp	
Bearing (drive end)	203FF
Bearing (rear end)	201SS
1986-1985	45 amp	
Bearing (drive end)	202FF
Bearing (rear end)	201SS
1986-1985	55 amp	
Bearing (drive end)	202FF
Bearing (rear end)	201SS
1986-1983	50 amp	
Bearing (drive end)	202FF
Bearing (rear end)	201SS
1986-1983	65 amp	
Bearing (drive end)	302SS
Bearing (rear end)	201S
1985-1983	55 amp	
Bearing (drive end)	302SS
Bearing (rear end)	201SS

DRIVESHAFT SUPPORT

1989-1987	Mighty Max 4x4	
Hanger Bearing Assy	HB30
1989-1987	Mighty Max 4x2	
Hanger Bearing Assy	HB14
1986-1983	Mighty Max	
Hanger Bearing Assy	HB14

Bearings and Seals

Mfg./Year Model & Location Part No Mfg./Year Model & Location Part No

MITSUBISHI TRUCK - MINIVAN, PICKUP, SUV - Mighty Max, Montero, Nativa, Van, Wagon (cont.)

CAMSHAFT SEAL

4 Cylinder

1989-1983 2000/2.0L, 2300/2.3L (diesel),
2350/2.4L
Seal 3771
Kwik Slv (Opt Rpr)KWK99139
1989-1983 2555cc/2.6L
Seal 222330

6 Cylinder

1989 2972cc/3.0L
Seal 3771[2]
Kwik Slv (Opt Rpr)KWK99139[2]

CRANKSHAFT REAR SEAL

4 Cylinder

1989-1983 2000/2.0L, 2300/2.3L (diesel),
2350/2.4L
Seal Viton 228005
Kwik Slv (Opt Rpr)KWK99315
1989-1983 2555cc/2.6L
Seal Viton 228005
Kwik Slv (Opt Rpr)KWK99315

CRANKSHAFT REAR SEAL

6 Cylinder

1989 2972cc/3.0L
Seal Viton 710056
Seal PTFE H/D Opt. 5279

TIMING COVER

4 Cylinder

1989-1983 2000/2.0L, 2300/2.3L (diesel),
2350/2.4L
Seal 224460
1989-1983 2555cc/2.6L
Seal 224840
Kwik Slv (Opt Rpr)KWK99189

6 Cylinder

1989 2972cc/3.0L
Seal 223750

MORGAN

FRONT WHEEL

1967-1957 TR3+4, Plus 4 Plus
Set (inner)SET21
Cone/Cup (outer)03062-03162[2]

REAR WHEEL

1967-1957 TR3+4, Plus 4 Plus
Cone/Cup 14130-14276[2]

CLUTCH

Release Bearing

1966-1960 4+4: Ford engine
Bearing Only 1375

MORRIS - see also AUSTIN-MORRIS

FRONT WHEEL

1973-1971 Marina
Set (inner)SET4
Set (outer)SET1
1970-1965 1800, S, MKI-III
Set SET5[2]
1962-1959 Minor: ball bearing
Seal (inner) 471192[2]
Bearing (inner) 7205[2]
Bearing (outer) 7303[2]
1962-1959 Minor: roller bearing conversion
Seal (inner) 471192[2]
Bearing Assy (inner) 30205M[2]²¹
Bearing Assy (outer) 30303[2]
1960-1954 Isis
Bearing (inner) 307TB[2]
Bearing (outer) 305AG[2]

FRONT WHEEL (cont.)

1957-1954 Cowley, Oxford
Bearing (inner) 306TB[2]
Bearing (outer) 304WB[2]

REAR WHEEL

1973-1971 Marina
Bearing RW119[2]
1970-1965 1800
Set (inner)SET6
Set (outer)SET4
1966-1956 Minor
Seal 472164[2]
Bearing 207[2]

412 [] Indicates Quantity Required; Set Components Listed Inside Rear Cover;

²¹ Tapered bearing conv.: Discard spacer, replace 1/8" washer w/1/16" washer. If rubber seal, machine off 1/16", press fit flush w/hub.

MORRIS - see also AUSTIN-MORRIS (cont.)

REAR AXLE

Pinion

1972-1971	Marina	
	Cone/Cup (inner)	M88048-M88011
1971-1957	Minor, Minor 100	
	Seal (outer)	481837
1967-1962	Minor 1000	
	Cone/Cup (inner)	M88048-M88011

CLUTCH

Release Bearing

1976-1962	Mini Cooper, S.	
	Bearing Assy	614104
1976-1959	Mini Clubman, Minor, etc.	
	Bearing Assy	614104

CLUTCH (cont.)

Release Bearing (cont.)

1973-1971	Marina	
	Bearing Only	TR1715
1971-1956	Minor 1000.	
	Bearing Assy	614104

NASH - Air Flyte, Ambassador, Brougham, Club Coupe, Custom, Deluxe, Rambler, Rebel, Statesman, Super, 600 and all Numbered Series

FRONT WHEEL

1957-1955	all	
	Set (inner)	SET6
	Set (outer)	SET2
1954-1948	all	
	Cone/Cup (inner)	15123-15245[2]
	Cone/Cup (outer)	09067-09195[2]
1948-1941	6-cylinder: 4100, 4200, Ambassador	
	Cone/Cup (inner)	14138A-14276[2]
	Cone/Cup (outer)	12580-12520[2]
1947-1946	4640, 4740 600	
	Cone/Cup (inner)	15118-15244[2]
	Cone/Cup (outer)	09078-09195[2]

REAR WHEEL

1958	5880 Ambassador	
	Set	SET5
1957	8-cylinder Rebel	
	Cone/Cup	25877-25821[2]
1957-1956	8-cylinder Ambassador	
	Cone/Cup	25877-25821[2]
1956	5640, 5650 Statesman	
	Cone/Cup	14132T-14276[2]
1956	6-cylinder 5660	
	Cone/Cup	25877-25821[2]
1955	5540 Statesman	
	Cone/Cup	14132T-14276[2]
1955	5560, 5580 Ambassador	
	Cone/Cup	25877-25821[2]
1954	5440 Statesman	
	Cone/Cup	14132T-14276[2]
1953	5340 Series	
	Cone/Cup	14132T-14276[2]
1952-1951	5140, 5240 Series, Statesman	
	Cone/Cup	14132T-14276[2]
1950-1948	4840, 4940 600 Series, 5040 Statesman	
	Cone/Cup	14132T-14276[2]

REAR AXLE

Differential

1957-1956	Rambler, Statesman: 8-cylinder	
	Cone/Cup	25577-25523[2]
1957-1946	Rambler, Statesman, 600: 6-cylinder	
	Cone/Cup	24780-24721[2]
1957-1946	Ambassador, Rebel	
	Cone/Cup	25580-25523[2]

Pinion

1957-1956	Rambler, Statesman: 8-cylinder	
	Cone/Cup (inner)	31594-31520
	Seal (outer)	450117
	Cone/Cup (outer)	02872-02820
1957-1946	Rambler, Statesman, 600: 6-cylinder	
	Cone/Cup (outer)	02474-02420
1957-1946	Ambassador, Rebel	
	Cone/Cup (inner)	3877-3820
	Cone/Cup (outer)	31590-31520

CLUTCH

Release Bearing

1958-1957	exc. 6-cylinder Rambler	
	Bearing Only	NH1752C
1957-1955	6-cylinder: Rambler	
	Bearing Only	N1605C
	Bearing Only	CB1054
1956	8-cylinder: 5650 Statesman	
	Bearing Only	NH1752C
1956-1955	6-cylinder: 5560, 5580 Ambassador	
	Bearing Only	NH1752C
1956-1954	5440, 5540, 5540 Statesman, 5640 Statesman	
	Bearing Only	N1605C
	Bearing Only	CB1054

Bearings and Seals

Mfg./Year Model & Location Part No Mfg./Year Model & Location Part No

NASH - Air Flyte, Ambassador, Brougham, Club Coupe, Custom, Deluxe, Rambler, Rebel, Statesman, Super, 600 and all Numbered Series (cont.)

CLUTCH (cont.)

Release Bearing (cont.)

1954	5460 Ambassador	
	Bearing Only	N1852C
	Bearing Only	CB995
1954-1950	5010, 5040 Rambler, Statesman	
	Bearing Only	N1605C
	Bearing Only	CB1054
1954-1949	Ambassador: conventional drive	
	Bearing Only	N1852C
	Bearing Only	CB995
1953	5310, 5410	
	Bearing Only	N1605C
	Bearing Only	CB1054
1953	5360	
	Bearing Only	N1852C
	Bearing Only	CB995
1952-1951	5140, 5240, Statesman	
	Bearing Only	N1605C
	Bearing Only	CB1054
1952-1949	5160, 5260	
	Bearing Only	N1852C
	Bearing Only	CB995

CLUTCH (cont.)

Release Bearing (cont.)

1949-1941	600 Series: bearing and collar	
	Bearing Only	CB1209C
	Bearing Only	CB1054
1948-1941	exc. Ambassador & 600	
	Bearing Only	N1605C
	Bearing Only	CB1054
1948-1941	Ambassador: bearing and collar	
	Bearing Only	CB1332C
	Bearing Only	CB995
1940-1937	bearing and collar	
	Bearing Only	CB1332C
	Bearing Only	CB995

NISSAN/DATSUN - FRONT WHEEL DRIVE - Maxima, Pulsar, Sentra, Sentra AWD, Stanza, Stanza AWD, 200SX, 310, F10,

FRONT WHEEL

1989	Maxima	
	Bearing (inner)	510009[2]
	Seal	710108[2]
1989	240SX	
	Bearing	510031[2]
1989-1987	Pulsar	
	Seal	710107[2]
	Bearing	510008[2]
1989-1987	Sentra	
	Seal	710107[2]
	Bearing	510008[2]
1989-1987	300ZX	
	Seal (inner)	710126[2]
	Set (inner)	SET6
	Set (outer)	SET2
1989-1987	Stanza	
	Seal (inner)	225650[2]
	Bearing Assy (inner)	513015[2]
	Seal (outer)	710069[2]
1988-1987	200SX	
	Seal (inner)	710128[2]
	Set (inner)	SET6
	Set (outer)	SET2
1988-1986	Stanza Wagon AWD	
	Seal (inner)	225650[2]
	Bearing Assy (inner)	513015[2]
	Seal (outer)	710069[2]
1988-1985	Maxima	
	Seal (inner)	225650[2]
	Bearing Assy (inner)	513015[2]
	Seal (outer)	710069[2]

FRONT WHEEL (cont.)

1988-1985	Stanza Wagon fwd	
	Seal (inner)	225650[2]
	Bearing Assy (inner)	513015[2]
	Seal (outer)	710069[2]
1986-1984	200SX	
	Seal (inner)	444116[2]
	Set (inner)	SET6
	Set (outer)	SET2
1986-1984	300ZX	
	Seal (inner)	444116[2]
	Set (inner)	SET6
	Set (outer)	SET2
1986-1983	Pulsar	
	Seal (inner)	710312[2]
	Seal (outer)	1883[2]
	Cone/Cup	LM29748-LM29710[2]
1986-1982	Sentra	
	Seal (inner)	710312[2]
	Seal (outer)	1883[2]
	Cone/Cup	LM29748-LM29710[2]
1986-1982	Stanza Sedan	
	Seal (inner)	225650[2]
	Seal (outer)	225540[2]
	Cone/Cup	LM300849-LM300811[2]
1984-1981	Maxima	
	Seal (inner)	444116[2]
	Set (inner)	SET6
	Set (outer)	SET2

NISSAN/DATSUN - FRONT WHEEL DRIVE - Maxima, Pulsar, Sentra, Sentra AWD, Stanza, Stanza AWD, 200SX, 310, F10, (cont.)

FRONT WHEEL (cont.)

1983-1977	200SX	
Seal (inner)	1188S[2]
Set (inner)	SET6
Set (outer)	SET2
1982-1979	310	
Seal (inner)	710310[2]
Seal (outer)	1883[2]
Kwik Slv (Opt Rpr)	KWK99128
Cone/Cup	LM29748-LM29710[2]
1978-1976	F10	
Seal (inner)	1884[2]
Cone/Cup	LM29748-LM29710[2]

REAR WHEEL

1989	Maxima: ABS brakes	
Hub Assy	512015[2]
1989-1987	Pulsar	
Bearing	513071[2]
1989-1987	Sentra	
Bearing	513071[2]
1989-1987	Sentra 4WD	
Seal (inner)	710069[2]
Bearing Assy (inner)	513015[2]
Set (outer)	SET2
1989	Stanza	
Seal (inner)	224400[2]
Bearing Assy (inner)	513007[2]
Set (outer)	SET2
1989-1987	300ZX	
Seal (inner)	710131[2]
Bearing (inner)	RW101[2]
Bearing (outer)	RW132[2]
1988-1987	Stanza Sedan, Wagon	
Seal (inner)	224400[2]
Bearing Assy (inner)	513007[2]
Set (outer)	SET2
1988-1986	Stanza Wagon: AWD	
Seal	710069[2]
Bearing Assy	513015[2]
1988-1985	Maxima	
Seal (inner)	224400[2]
Bearing Assy (inner)	513007[2]
Set (outer)	SET2
1988-1984	200SX: independent suspension: V6 engine.	
Seal (inner)	224045[2]
Bearing (inner)	RW101[2]
Bearing (outer)	RW132[2]
1987-1977	200SX: solid axle	
Seal	1181[2]
Bearing	RW114R[2]
1986-1985	Stanza Wagon	
Seal (inner)	224400[2]
Bearing Assy (inner)	513007[2]
Set (outer)	SET2
1986-1984	200SX: independent suspension: 4-cylinderturbo	
Seal (inner)	224045[2]
Bearing (inner)	RW101[2]
Bearing (outer)	RW128R[2]

REAR WHEEL (cont.)

1986-1983	Pulsar	
Seal (inner)	334111[2]
Set (inner)	SET8
Set (outer)	SET2
1986-1982	Sentra	
Seal (inner)	334111[2]
Set (inner)	SET8
Set (outer)	SET2
1986-1982	Stanza	
Seal (inner)	334111[2]
Bearing Assy (inner)	513007[2]
Set (outer)	SET2
1984-1981	Maxima Sedan	
Seal (inner)	224045[2]
Bearing (inner)	RW101[2]
Bearing (outer)	RW125[2]
1984-1981	Maxima Wagon	
Seal	1181[2]
Bearing	RW114R[2]
1982-1979	310	
Seal (inner)	334111[2]
Set (inner)	SET8
Set (outer)	SET2
1978-1976	F10	
Seal (inner)	1128S[2]
Bearing Assy (inner)	32005X[2]
Bearing Assy (outer)	30302[2]

REAR AXLE

Differential

1989-1986	R180, R180A	
Seal	1167S[2]
Bearing Assy	30208M[2]

Pinion

1989-1986	R180, R180A	
Bearing Assy (inner)	32307
Seal (outer)	1173
Bearing Assy (outer)	32305
Kwik Slv (Opt Rpr)	KWK99166
Bearing (pilot)	30565

TRANSFER CASE REBUILD KIT

1989-1986	TY10	
Kit	TRKFN460
1988-1985	TY10A	
Kit	TRKFN430

TRANSFER CASE

Input Shaft

1989-1986	TY10	
Seal	710120

Bearings and Seals

Mfg./Year Model & Location Part No Mfg./Year Model & Location Part No

NISSAN/DATSUN - FRONT WHEEL DRIVE - Maxima, Pulsar, Sentra, Sentra AWD, Stanza, Stanza AWD, 200SX, 310, F10, (cont.)

TRANSFER CASE

Front Output Shaft

1989-1986 TY10
Seal 225210

Rear Output Shaft

1989-1986 TY10
Seal 710121
Kwik Slv (Opt Rpr)KWK99235

Selector Shaft Seal/Man. Shaft

1989-1986 TY10
Seal 710243
Kwik Slv (Opt Rpr)KWK99098

CLUTCH - 4 CYLINDER

Pilot Bearing

1989-1980
BushingPB22

CLUTCH - 6 CYLINDER

Pilot Bearing

1989-1985
BushingPB22

CLUTCH - 4 CYLINDER

Release Bearing

1989-1987 1597cc/1.6L (190mm Clutch)
Bearing Assy 614047
1989-1988 1809cc/1.8 (DOHC)(215mm
Clutch)
Bearing Assy 614130
1989-1987 1597cc/1.6L (200mm Clutch)
Bearing Assy 614022
1989-1986 1974cc/2.0L (225mm Clutch)
Bearing Assy 614048
1987 1598cc/1.6 (DOHC)(200mm
Clutch)
Bearing Assy 614048
1986-1983 1680cc/1.7L (diesel)(180mm
Clutch)
Bearing Assy 614055
1986-1982 1487cc/1.5L, 1597cc/1.6L,
(180mm Clutch)
Bearing Assy 614022
1986-1982 1487cc/1.5L, 1974cc/2.0,
(200mm Clutch)
Bearing Assy 614022

CLUTCH - 6 CYLINDER

Release Bearing

1989-1985 2960cc/3.0L, 2988cc/3.0 (DOHC)
Bearing Assy 614049

3-SPEED AUTOMATIC TRANSAXLE

Torque Converter

1989-1981 RL3F01A, RN3F01A
Seal 224979

Output Shaft

1989-1981 RL3F01A
Seal Viton 224026[2]
Kwik Slv (Opt Rpr)KWK99157[2]
Bearing (RH) 32006
Bearing Assy (LH) 32007XM
1989-1981 RN3F01A
Seal 710122[2]
Bearing (RH) 32006
Bearing Assy (LH) 32007XM

Differential

1989-1981 RL3F01A, RN3F01A
Bearing Assy (LH) 32013X
Bearing Assy (RH) 30208M

4-SPEED AUTOMATIC TRANSAXLE

Differential

1989-1985 RE4F02A, RL4F02A
Bearing Assy (LH) 32013X
Bearing Assy (RH) 30208M

Torque Converter

1989-1985 RE4F02A, RE4F02V, RL4F02A,
RE4F04A, RE4F04V
Seal 224663
Kwik Slv (Opt Rpr)KWK99181

Output Shaft

1989 RE4F02A, RE4F02V
Seal (LH) 710123
Seal (RH) 710124
1989-1985 RL4F02A (4WD)
Seal (LH) 710118
Seal (RH) 710069
1989-1985 RL4F02A (2WD)
Seal (LH) 710122
Seal (RH) 710124

4-SPEED MANUAL TRANSAXLE

Differential

1989-1988 RN4F31A
Bearing Assy 30208M[2]
1981-1976 F4WF60A
Bearing 209BB[2]

NISSAN/DATSUN - FRONT WHEEL DRIVE - Maxima, Pulsar, Sentra, Sentra AWD, Stanza, Stanza AWD, 200SX, 310, F10, (cont.)

4-SPEED MANUAL TRANSAXLE

Input Shaft

1989-1988	RN4F31A	
Seal	710316
Bearing	305AG
Kwik Slv (Opt Rpr)	KWK99098
1981-1976	F4WF60A	
Seal	222820
Bearing	306TB

Mainshaft

1981-1976	F4WF60A	
Bearing (center)	406

Output Shaft

1989-1988	RN4F31A	
Seal Viton	224026[2]
Kwik Slv (Opt Rpr)	KWK99157[2]
1981-1976	F4WF60A	
Seal	2003N[2]
Kwik Slv (Opt Rpr)	KWK99146[2]

5-SPEED MANUAL TRANSAXLE

Differential

1989-1983	RS5F30A	
Bearing Assy	30208M[2]
1989-1987	RS5F31A (4WD)	
Bearing Assy	30208M[2]
1989-1987	RS5F31A (2WD)	
Bearing Assy	32010X[2]
1989-1986	RS5F50A (2WD)	
Cone	A140[2]
1986-1983	RS5F31A	
Bearing Assy	32010X[2]
1985	RS5F50A	
Cone	A140[2]
1982-1976	F5WF60A	
Bearing	209BB[2]

Input Shaft

1989-1985	RS5F50A, RS5F50V	
Seal	710119
Bearing	108A
Kwik Slv (Opt Rpr)	KWK99111
1989-1983	RS5F30A, RS5F31A	
Seal	710316
Bearing	305AG
Kwik Slv (Opt Rpr)	KWK99098
1982-1976	F5WF60A	
Seal	222820
Bearing	306TB

5-SPEED MANUAL TRANSAXLE

Countershaft

1982-1976	F5WF60A	
Bearing (front)	106WB
Bearing (center)	305AG[2]
Bearing (rear)	206WB

Mainshaft

1982-1976	F5WF60A	
Bearing Assy (front)	32206M
Bearing Assy (center)	30205M
Bearing Assy (rear)	30205M

Output Shaft

1989-1983	RS5F31A	
Seal (LH)	225210
Seal (RH)	710134
1989-1983	RS5F30A	
Seal Viton	224026[2]
Bearing Assy	30304[2]
Kwik Slv (Opt Rpr)	KWK99157[2]
1989-1986	RS5F50A (4WD)	
Seal (LH)	710133
Bearing Assy (LH)	32206M
Seal (RH)	226018
Bearing Assy (RH)	30306M
1989-1986	RS5F50A (2WD)	
Seal (LH)	710118
Bearing Assy (LH)	32206M
Seal (RH)	710124
Bearing Assy (RH)	30306M
1985	RS5F50A	
Seal (LH)	710118
Bearing Assy (LH)	32206M
Seal (RH)	710124
Bearing Assy (RH)	30306M
1982-1976	F5WF60A	
Seal	2003N[2]
Kwik Slv (Opt Rpr)	KWK99146[2]

ALTERNATOR

1989-1984	Hitachi 70 amp	
Bearing (drive end)	303CC
1989-1984	Hitachi 80 amp	
Bearing (drive end)	303CC
1989-1984	Hitachi 90 amp	
Bearing (drive end)	303CC
1988-1977	Mitsubishi 70 amp	
Bearing (drive end)	302CC
1988-1970	Hitachi 50 amp	
Bearing (drive end)	203FF
Bearing (rear end)	202SS
1988-1970	Hitachi 60 amp	
Bearing (drive end)	203FF
Bearing (rear end)	202SS
1974	Mitsubishi 35 amp	
Bearing (drive end)	202SS
Bearing (rear end)	201CC

Bearings and Seals

Mfg./Year Model & Location Part No Mfg./Year Model & Location Part No

NISSAN/DATSUN - FRONT WHEEL DRIVE - Maxima, Pulsar, Sentra, Sentra AWD, Stanza, Stanza AWD, 200SX, 310, F10, (cont.)

ALTERNATOR (cont.)

1974	Mitsubishi 50 amp	
	Bearing (drive end)	203FF
	Bearing (rear end)	201CC
1973-1967	Hitachi 30 amp	
	Bearing (drive end)	202FF
	Bearing (rear end)	201SS
1973-1967	Hitachi 33 amp	
	Bearing (drive end)	202FF
	Bearing (rear end)	201SS
1973-1967	Hitachi 35 amp	
	Bearing (drive end)	202FF
	Bearing (rear end)	201SS
1973-1967	Hitachi 45 amp	
	Bearing (drive end)	202FF
	Bearing (rear end)	201SS
1970-1960	Mitsubishi 25 amp	
	Bearing (drive end)	203SS
	Bearing (rear end)	202SS
1970-1960	Mitsubishi 30 amp	
	Bearing (drive end)	203SS
	Bearing (rear end)	202SS
1966-1960	Hitachi 30 amp	
	Bearing (drive end)	202SS
	Bearing (rear end)	202S

DRIVESHAFT SUPPORT

1988-1986	Stanza Wagon: AWD	
	Hanger Bearing Assy	HB6

BALANCE SHAFT

4 Cylinder

1989-1983	1597cc/1.6L	
	Seal	710415
	Kwik Slv (Opt Rpr)	KWK99128

CAMSHAFT SEAL

4 Cylinder

1989-1981	1487cc/1.5L, 1597cc/1.6L	
	Seal	224020
	Kwik Slv (Opt Rpr)	KWK99157
1989-1988	1809cc/1.8 (DOHC)	
	Seal	223420[2]
	Kwik Slv (Opt Rpr)	KWK99134[2]
1989-1982	1974cc/2.0L	
	Seal	223420
	Kwik Slv (Opt Rpr)	KWK99134
1987	1598cc/1.6 (DOHC)	
	Seal	224052[2]
	Kwik Slv (Opt Rpr)	KWK99157[2]
1986-1983	1680cc/1.7L (diesel)	
	Seal (front)	223420
	Kwik Slv (Opt Rpr)	KWK99134
	Seal (rear)	710341
	Kwik Slv (Opt Rpr)	KWK99146

CAMSHAFT SEAL

6 Cylinder

1989-1985	2960cc/3.0L	
	Seal	223420[2]
	Kwik Slv (Opt Rpr)	KWK99134[2]

CRANKSHAFT REAR SEAL

4 Cylinder

1989-1982	1597cc/1.6L, 1598cc/1.6L, 1680cc/1.7L, 1809cc/1.8L, 1974cc/2.0L, 1998cc/2.0L	
	Seal Viton	228410
1988-1981	1487cc/1.5L, 1597cc/1.6L	
	Seal	228010
	Kwik Slv (Opt Rpr)	KWK99315
1983-1968	1595cc/1.6L, 1770cc/1.8L, 1952cc/2.0L	
	Seal	228010
	Kwik Slv (Opt Rpr)	KWK99315
1982-1980	1397cc/1.4L, 1487cc/1.5L	
	Seal	712006
	Kwik Slv (Opt Rpr)	KWK99235
1982-1976	1171CC/1.2L, 1288cc/1.3L, 1397cc/1.4L	
	Seal	712006
	Kwik Slv (Opt Rpr)	KWK99235

6 Cylinder

1989-1984	2960cc/3.0L	
	Seal Viton	228410
1984-1970	2393cc/2.4L, 2753cc/2.8L, 2793cc/2.8L	
	Seal	228010
	Kwik Slv (Opt Rpr)	KWK99315

TIMING COVER

4 Cylinder

1989	2389cc/2.4L	
	Seal	224650
1989-1983	1600/ 1.6L (SOHC)	
	Seal	223602
	Kwik Slv (Opt Rpr)	KWK99146
1989-1984	1800/1.8L	
	Seal	223340
1989-1982	1974cc/2.0L	
	Seal	223340
1987-1983	1680cc/1.7L (diesel)	
	Seal	710308
1984-1980	1488cc/1.5L	
	Seal	223830
	Kwik Slv (Opt Rpr)	KWK99147
1983-1982	2164cc/2.2L	
	Seal	712010
1982-1975	1397cc/1.4L	
	Seal	223830
	Kwik Slv (Opt Rpr)	KWK99147
1982-1963	1171/1.2L, 1237/1.2L	
	Seal	223830
	Kwik Slv (Opt Rpr)	KWK99147

Mfg./Year Model & Location Part No Mfg./Year Model & Location Part No

NISSAN/DATSUN - FRONT WHEEL DRIVE - Maxima, Pulsar, Sentra, Sentra AWD, Stanza, Stanza AWD, 200SX, 310, F10, (cont.)

TIMING COVER (cont.)

4 Cylinder (cont.)

1981-1968	1951/2.0L, 1952/ 2.0L, 1982/ 2.0L	
Seal	712010
1974	1288/1.3L	
Seal	223830
Kwik Slv (Opt Rpr)	KWK99147
1974-1973	1800/1.8L	
Seal	712010
Kwik Slv (Opt Rpr)	KWK99189
1973-1966	1595cc/1.6L	
Seal	712010
Kwik Slv (Opt Rpr)	KWK99189

TIMING COVER

6 Cylinder

1989-1984	2960cc/3.0L	
Seal	223340
1984-1970	2393cc/2.4L, 2753cc/2.8L, 2793cc/2.8L	
Seal	712010
Kwik Slv (Opt Rpr)	KWK99189

NISSAN/DATSUN - REAR WHEEL DRIVE - Bluebird, B110, B210, Maxima, Sedan, 1000, 1200, 1500, 1600, 200SX, 2000, 210, 240SX, 240Z, 260Z, 280Z, 280ZX, 300ZX, 410, 411, 510, 610, 710, 810,

FRONT WHEEL

1989	240SX	
Bearing	510031[2]
1989	Micra, Multi Wagon, Multi Wagon AWD	
Bearing	510054[2]
1989-1987	300ZX	
Seal (inner)	710126[2]
Set (inner)	SET6
Set (outer)	SET2
1988-1987	200SX	
Seal (inner)	710128[2]
Set (inner)	SET6
Set (outer)	SET2
1988-1985	Micra	
Set	SET13[2]
1986-1984	200SX	
Seal (inner)	444116[2]
Set (inner)	SET6
Set (outer)	SET2
1986-1984	300ZX	
Seal (inner)	444116[2]
Set (inner)	SET6
Set (outer)	SET2
1984-1981	Maxima	
Seal (inner)	444116[2]
Set (inner)	SET6
Set (outer)	SET2
1983-1979	310	
Seal (inner)	710310[2]
Seal (outer)	1883[2]
Kwik Slv (Opt Rpr)	KWK99128
Cone/Cup	LM29748-LM29710[2]
1983-1977	200SX	
Seal (inner)	1188S[2]
Set (inner)	SET6
Set (outer)	SET2

FRONT WHEEL (cont.)

1983-1975	280Z, ZX	
Seal (inner)	1188S[2]
Set (inner)	SET6
Set (outer)	SET2
1982-1979	210	
Seal (inner)	1183[2]
Set (inner)	SET4
Set (outer)	SET1
1982-1978	510	
Seal (inner)	1188S[2]
Set (inner)	SET6
Set (outer)	SET2
Kwik Slv (Opt Rpr)	KWK99193
1981-1977	810	
Seal (inner)	1188S[2]
Set (inner)	SET6
Set (outer)	SET2
1978-1976	B210: disc brakes	
Seal (inner)	1188S[2]
Set (inner)	SET6
Set (outer)	SET2
1977-1974	710	
Seal (inner)	1188S[2]
Set (inner)	SET6
Set (outer)	SET2
1976-1974	B210: drum brakes	
Seal (inner)	1183[2]
Set (inner)	SET4
Bearing Assy (outer)	30302[2]
1976-1974	610	
Seal (inner)	1188S[2]
Set (inner)	SET6
Set (outer)	SET2
1975-1974	B210: disc brakes	
Seal (inner)	1183[2]
Set (inner)	SET4
Set (outer)	SET1

Bearings and Seals

Mfg./Year Model & Location Part No Mfg./Year Model & Location Part No

NISSAN/DATSUN - REAR WHEEL DRIVE - Bluebird, B110, B210, Maxima, Sedan, 1000, 1200, 1500, 1600, 200SX, 2000, 210, 240SX, 240Z, 260Z, 280Z, 280ZX, 300ZX, 410, 411, 510, 610, 710, 810, (cont.)

FRONT WHEEL (cont.)

1974	260Z	
Seal (inner)	1188S[2]
Set (inner)	SET6
Set (outer)	SET2
1973	610 exc. Wagon	
Seal (inner)	1183[2]
Set (inner)	SET4
Set (outer)	SET1
1973	610 Wagon	
Seal (inner)	1188S[2]
Set (inner)	SET6
1973-1970	B110	
Seal (inner)	1174S[2]
Bearing Assy (inner)	30205M[2]
Bearing Assy (outer)	30302[2]
Kwik Slv (Opt Rpr)	KWK99193
1973-1970	240Z	
Seal (inner)	1188S[2]
Set (inner)	SET6
Set (outer)	SET2
Kwik Slv (Opt Rpr)	KWK99328
1973-1968	510	
Seal (inner)	1183[2]
Set (inner)	SET4
Set (outer)	SET1
1973-1968	1200	
Seal (inner)	1174S[2]
Bearing Assy (inner)	30205M[2]
Bearing Assy (outer)	30302[2]
1970-1965	1600 Roadster	
Bearing Assy (inner)	30206M[2]
Bearing Assy (outer)	30204M[2]
1970-1965	2000 Roadster	
Bearing Assy (inner)	30206M[2]
Bearing Assy (outer)	30204M[2]
1970-1961	310	
Seal (inner)	1977[2]
Bearing Assy (inner)	30206M[2]
Bearing Assy (outer)	30204M[2]
1970-1961	311	
Seal (inner)	1977[2]
Bearing Assy (inner)	30206M[2]
Bearing Assy (outer)	30204M[2]
1968-1961	410	
Seal (inner)	1977[2]
Bearing Assy (inner)	30206M[2]
Bearing Assy (outer)	30304[2]
1968-1961	411	
Seal (inner)	1977[2]
Bearing Assy (inner)	30206M[2]
Bearing Assy (outer)	30304[2]

REAR WHEEL

1989	240SX	
Bearing Module	512014
1989	300ZX non-turbo: production thru 2/1990	
Bearing Module	512014

REAR WHEEL (cont.)

1989-1987	300ZX	
Seal (inner)	710131[2]
Bearing (inner)	RW101[2]
Bearing (outer)	RW132[2]
1989-1985	Micra	
Set (inner)	SET4
Set (outer)	SET2
1988-1984	200SX: independent suspension: V6 engine.	
Seal (inner)	224045[2]
Bearing (inner)	RW101[2]
Bearing (outer)	RW132[2]
1987-1977	200SX: solid axle	
Seal	1181[2]
Bearing	RW114R[2]
1986-1984	200SX: independent suspension: 4-cylinderturbo	
Seal (inner)	224045[2]
Bearing (inner)	RW101[2]
Bearing (outer)	RW128R[2]
1986-1984	300ZX	
Seal (inner)	224045[2]
Bearing (inner)	RW101[2]
Bearing (outer)	RW128R[2]
1984-1981	Maxima Sedan	
Seal (inner)	224045[2]
Bearing (inner)	RW101[2]
Bearing (outer)	RW125[2]
1984-1981	Maxima Wagon	
Seal	1181[2]
Bearing	RW114R[2]
1984-1977	810 Sedan	
Seal (inner)	224045[2]
Bearing (inner)	RW101[2]
Bearing (outer)	RW125[2]
1984-1977	810 Wagon	
Seal	1181[2]
Bearing	RW114R[2]
1983-1979	280Z, ZX	
Seal (inner)	224045[2]
Bearing (inner)	RW101[2]
Bearing (outer)	RW125[2]
1983-1979	310	
Seal (inner)	334111[2]
Set (inner)	SET8
Set (outer)	SET2
1982-1979	210	
Seal	1181[2]
Bearing	RW114R[2]
1981-1978	510	
Seal	1181[2]
Bearing	RW114R[2]
1978-1975	280Z, ZX	
Seal (inner)	224270[2]
Bearing (inner)	RW116[2]
Bearing (outer)	RW117[2]
1978-1974	B210	
Seal	1181[2]
Bearing	RW114R[2]

NISSAN/DATSUN - REAR WHEEL DRIVE - Bluebird, B110, B210, Maxima, Sedan, 1000, 1200, 1500, 1600, 200SX, 2000, 210, 240SX, 240Z, 260Z, 280Z, 280ZX, 300ZX, 410, 411, 510, 610, 710, 810, (cont.)

REAR WHEEL (cont.)

1977-1974	710		
	Seal	1181[2]
	Bearing	RW114R[2]
1976-1973	610 Sedan		
	Seal (inner)	224045[2]
	Bearing (inner)	RW101[2]
	Bearing (outer)	RW125[2]
1976-1973	610 Wagon		
	Seal	1181[2]
	Bearing	RW114R[2]
1974	260Z		
	Seal (inner)	224270[2]
	Bearing (inner)	RW116[2]
	Bearing (outer)	RW117[2]
1973-1970	B110		
	Seal	1181[2]
	Bearing	RW115R[2]
1973-1970	240Z		
	Seal (inner)	224270[2]
	Bearing (inner)	RW116[2]
	Bearing (outer)	RW117[2]
1973-1968	510 Sedan		
	Seal (inner)	224045[2]
	Bearing (inner)	RW101[2]
	Bearing (outer)	RW125[2]
1973-1968	510 Wagon		
	Seal	1181[2]
	Bearing	RW114R[2]
1973-1968	1200		
	Seal	1181[2]
	Bearing	RW115R[2]
1970-1968	2000 Roadster		
	Seal	1181[2]
	Bearing	RW115R[2]
1970-1965	1600 Roadster		
	Seal	1181[2]
	Bearing	RW115R[2]
1968-1964	410		
	Seal	1181[2]
	Bearing	RW115R[2]
1968-1964	411		
	Seal	1181[2]
	Bearing	RW115R[2]

REAR AXLE

Differential

1989-1986	H233, H233B, H233BS		
	Cone/Cup	17887-17831[2]
1989	R230		
	Seal	710135[2]
	Bearing Assy	32211M[2]
1989-1975	R200, R200A, R200KV, R200V		
	Seal	223542[2]
	Cone	30209C[2]
1989-1966	H190, H190A, H190B axles		
	Seal	1167S[2]
	Bearing Assy	30208M[2]

REAR AXLE (cont.)

Differential (cont.)

1989-1966	R180, R180A		
	Seal	1167S[2]
	Bearing Assy	30208M[2]
1989-1983	C200, C200B		
	Cone	30209C[2]
1982-1971	H150 axle		
	Bearing Assy	30206M[2]
1981-1965	H165B axle		
	Bearing Assy	30207M[2]
1979-1971	H145 axle		
	Bearing Assy	30206M[2]
1965-1960	Bluebird (510) Sedan		
	Bearing Assy	30207M[2]
1965-1960	1200 Sedan		
	Bearing Assy	30207M[2]
1965-1960	1500 Sedan		
	Bearing Assy	30207M[2]
1965-1960	410 Sedan		
	Bearing Assy	30207M[2]
1959-1958	1000 Sedan		
	Bearing Assy	30208M[2]

3-SPEED AUTOMATIC TRANSMISSION

Torque Converter

1984-1970	L3N71A, L3N71B, 3N71B		
	Seal Viton	2025
1971-1967	Borg Warner		
	Seal	480479H

Rear Seal/Ext. Housing

1984-1970	L3N71A, L3N71B, 3N71B		
	Seal	710324
1971-1967	Borg Warner		
	Seal	1097N

4-SPEED AUTOMATIC TRANSMISSION

Torque Converter

1989	RE4R01A, RE4R03A		
	Seal	224450
	Kwik Slv (Opt Rpr)	KWK99181
1989-1983	E4N71B, L4N71B, 4N71B		
	Seal Viton	2025
	Kwik Slv (Opt Rpr)	KWK99166

Rear Seal/Ext. Housing

1989-1984	E4N71B, RE4R01A, RE4R03A		
	Seal	223801
1988-1984	4N71B		
	Seal	710234
1984-1983	L4N71B		
	Seal	710324

Bearings and Seals

Mfg./Year Model & Location Part No Mfg./Year Model & Location Part No

NISSAN/DATSUN - REAR WHEEL DRIVE - Bluebird, B110, B210, Maxima, Sedan, 1000, 1200, 1500, 1600, 200SX, 2000, 210, 240SX, 240Z, 260Z, 280Z, 280ZX, 300ZX, 410, 411, 510, 610, 710, 810, (cont.)

4-SPEED AUTOMATIC TRANSMISSION

Selector Shaft Seal/Man. Shaft

1989-1988 RE4R01A, RE4R03A
Seal 2027

CLUTCH

Pilot Bearing

1989-1970 6-cylinder
Bushing PB22
1989-1976 4-cylinder under 1.6
Bushing PB21
1989-1976 4-cylinder 1.6 and larger
Bushing PB22

Release Bearing

1989 240SX
Bearing Only 613015
1989-1985 200SX
Bearing Only DNE01576C
1989-1987 300ZX Turbo
Bearing Only 01576
1989-1984 300ZX non-turbo
Bearing Only DNE01576C
1988-1986 Micra (Canada)
Bearing Assy 614150
1986-1984 300ZX Turbo
Bearing Only 01576
1984-1980 200SX
Bearing Only DNF01576C
1984-1980 Maxima
Bearing Only DNF01576C
1983-1975 280Z, ZX: exc. 2+2
Bearing Only DNF01576C
1983-1975 280Z, ZX: 2+2
Bearing Only DNE01576C
1982 310
Bearing Assy 614022
1982-1979 B210
Bearing Only DNB01576C
1982-1978 510
Bearing Only DNE01576C
1981-1979 310
Bearing Only DN01575C
1981-1977 810
Bearing Only DNF01576C
1979-1977 200SX
Bearing Only DNE01576C
1978-1975 210: 5-speed
Bearing Only 01576
1978-1974 210: 4-speed: production from
9/1974 on
Bearing Only DNB01576C
1977-1973 710
Bearing Only DNE01576C
1974 260Z
Bearing Only DNC01576C
1974-1973 210: production thru 8/1974
Bearing Only DND01576C

CLUTCH (cont.)

Release Bearing (cont.)

1973-1970 B110
Bearing Only 01576
1973-1970 240Z
Bearing Only DNC01576C
1973-1968 510
Bearing Only DNA01577C
1973-1968 610: 1.8
Bearing Only DNA01577C
1973-1968 1200
Bearing Only DNB01576C
1970-1968 2000 Roadster (SRL311)
Bearing Only DNA01577C
1970-1965 1600 Roadster
Bearing Only 613002
1970-1961 311
Bearing Only DNA01577C
1968-1964 411: 1.6
Bearing Only 613002
1968-1961 410: 1.2
Bearing Only 1573
1968-1961 411: 1.3
Bearing Only CB2020

3-SPEED MANUAL TRANSMISSION

Front Input Shaft

1970-1967
Bearing 306L

Rear Output Shaft

1970-1967 exc. overdrive
Bearing 306L
1970-1967 overdrive
Bearing 205BB

4-SPEED MANUAL TRANSMISSION

Transmission Rebuild Kit

1982-1975 F4W60
Kit TRKFN320
1981-1970 F4W63
Kit TRKFN260
1980-1974 F4W71B
Kit TRKFN230
1977-1971 F4W56A
Kit TRKFN310
1973-1970 F4W70B
Kit TRKFN280

NISSAN/DATSUN - REAR WHEEL DRIVE - Bluebird, B110, B210, Maxima, Sedan, 1000, 1200, 1500, 1600, 200SX, 2000, 210, 240SX, 240Z, 260Z, 280Z, 280ZX, 300ZX, 410, 411, 510, 610, 710, 810, (cont.)

4-SPEED MANUAL TRANSMISSION

Input Shaft

1982-1980	F4W56A (A14, A15 engines)	
Seal	710316
Bearing	206L
Kwik Slv (Opt Rpr)	KWK99098
1982-1980	F4W56A (AA12 engine)	
Seal	710315
Bearing	305AG
Kwik Slv (Opt Rpr)	KWK99098
1982-1979	F4WF60, F4WF60L	
Seal	1981
Bearing	206L
Kwik Slv (Opt Rpr)	KWK99114
1980-1974	F4W71B	
Seal	1981
Bearing	306L
Kwik Slv (Opt Rpr)	KWK99114
1979-1967	R4W71A	
Seal	1981
Bearing	306L
Kwik Slv (Opt Rpr)	KWK99114
1978-1975	F4WF60, F4WF60L	
Seal	1981
Bearing	306L
Kwik Slv (Opt Rpr)	KWK99114
1976-1965	F4W63, F4W63A, F4W63L	
Seal	710417
Bearing	207L
1974-1971	F4W56A	
Seal	222540
Bearing	306L
Kwik Slv (Opt Rpr)	KWK99098
1974-1971	F4W56L	
Seal	222540
Bearing	305L
Kwik Slv (Opt Rpr)	KWK99098

Countershaft

1982-1980	F4W60, F4W60L	
Bearing (rear)	304DD
1982-1980	F4W56A (A14, A15 engines)	
Bearing (rear)	304WB
1982-1980	F4W56A (AA12 engine)	
Bearing (rear)	303SS
1980-1972	F4W71B	
Bearing (front)	304WB
Bearing (center)	305AG
Bearing (rear)	204
1979-1975	F4W60, F4W60L, F4WF60, F4WF60L	
Bearing (rear)	304DD
1979-1967	R4W71A	
Bearing (front)	304WB
Bearing (rear)	305AG
1974-1971	F4W56A	
Bearing (front)	304WB
Bearing (rear)	205BB

4-SPEED MANUAL TRANSMISSION

(cont.)

Countershaft (cont.)

1974-1971	F4W56L	
Bearing (front)	305AG
Bearing (rear)	303SS

Rear Output Shaft

1982-1980	F4W60, F4W60L	
Seal	2016
Bearing	305L
1982-1980	F4W56A (A14, A15 engines)	
Seal	2016
Bearing	305L
1980-1974	F4W71B	
Seal	710324
Bearing	306TB
1979-1971	F4W56A, F4W56L, F4W60, F4W60L, F4WF60, F4WF60L	
Seal	2016
Bearing	305L
1979-1965	F4W63, F4W63A, F4W63L, F4W71B, R4W71A	
Seal	3771
Bearing	306L

5-SPEED MANUAL TRANSMISSION

Transmission Rebuild Kit

1989-1986	FS5R30A	
Kit	TRKFN150
1989-1983	FS5W71H, FS5W71M, FS5W71N, FS5W71S	
Kit	TRKFN110
1986-1984	FS5R90A/T5	
Kit	TRK5N
1984-1974	FS5W71A, FS5W71C	
Kit	TRKFN100
1983	FS5R90A/T5	
Kit	TRK5NA
1982-1979	FS5W60A	
Kit	TRKFN330
1979-1977	FS5W63A	
Kit	TRKFN350
1979-1976	FS5W60L	
Kit	TRKFN340

Front Input Shaft

1989-1986	FS5R30A	
Seal	1981
Bearing	1308L
Kwik Slv (Opt Rpr)	KWK99114
1989-1974	FS5W71A, FS5W71B, FS5W71C	
Seal	1981
Bearing	306LO
Kwik Slv (Opt Rpr)	KWK99114

Bearings and Seals

Mfg./Year Model & Location Part No Mfg./Year Model & Location Part No

NISSAN/DATSUN - REAR WHEEL DRIVE - Bluebird, B110, B210, Maxima, Sedan, 1000, 1200, 1500, 1600, 200SX, 2000, 210, 240SX, 240Z, 260Z, 280Z, 280ZX, 300ZX, 410, 411, 510, 610, 710, 810, (cont.)

5-SPEED MANUAL TRANSMISSION (cont.)

Front Input Shaft (cont.)

1988-1981	FS5R90A	
Seal	7412S
Set	SET5
Kwik Slv (Opt Rpr)	KWK99125
Needle Bearing Thrust	FA55505
1982-1979	FSW60A, FSW60L	
Seal	1981
Bearing	206SL
Kwik Slv (Opt Rpr)	KWK99114
1981-1975	FS5W63, FS5W63A	
Seal	710417
Bearing	207L

Countershaft

1989-1980	FS5W71A, FS5W71B, FS5W71C	
Bearing (center)	305AG
Bearing (rear)	204
1988-1981	FS5R90A	
Needle Bearing (front)	DK55836
Cyl. Bearing (rear)	5707
Needle Bearing Thrust	NTA1423
1982-1979	FS5W60A	
Bearing (center)	304DD
Needle Bearing (rear)	B1616
1981-1978	FS5W63	
Bearing Assy (front)	30204M
Bearing (center)	205BB
Bearing Assy (rear)	30204M
1979-1974	FS5W71A, FS5W71B	
Bearing (center)	305AG
Bearing (rear)	204
1978-1975	FS5W63A	
Bearing Assy (front)	30204M
Bearing (center)	205BB
Bearing Assy (rear)	30204M

Rear Output Shaft

1989-1986	FS5R30A	
Seal	224215
Bearing	307L
1989-1980	FS5W71A, FS5W71B, FS5W71C	
Seal	710324
Bearing	306TB
1988-1981	FS5R90A	
Cone/Cup	25877-25821
1982-1979	FS5W60A, FS5W60L	
Seal	2016
Bearing	305L
1981-1980	FS5W63	
Seal	710324
Bearing	306L
1979-1977	FS5W71B	
Seal	3771
Bearing	306LO
1979-1974	FS5W63A, FS5W71A	
Bearing	306LO

Extension Housing

1989-1986	FS5R30A	
Bearing	307L
1989-1980	FS5W71A, FS5W71B, FS5W71C	
Bearing	205BB

ALTERNATOR

1989-1984	Hitachi 70 amp	
Bearing (drive end)	303CC
1989-1984	Hitachi 80 amp	
Bearing (drive end)	303CC
1989-1984	Hitachi 90 amp	
Bearing (drive end)	303CC
1988-1977	Mitsubishi 70 amp	
Bearing (drive end)	302CC
1988-1970	Hitachi 50 amp	
Bearing (drive end)	203FF
Bearing (rear end)	202SS
1988-1970	Hitachi 60 amp	
Bearing (drive end)	203FF
Bearing (rear end)	202SS
1974	Mitsubishi 35 amp	
Bearing (drive end)	202SS
Bearing (rear end)	201CC
1974	Mitsubishi 50 amp	
Bearing (drive end)	203FF
Bearing (rear end)	201CC
1973-1967	Hitachi 30 amp	
Bearing (drive end)	202FF
Bearing (rear end)	201SS
1973-1967	Hitachi 33 amp	
Bearing (drive end)	202FF
Bearing (rear end)	201SS
1973-1967	Hitachi 35 amp	
Bearing (drive end)	202FF
Bearing (rear end)	201SS
1973-1967	Hitachi 45 amp	
Bearing (drive end)	202FF
Bearing (rear end)	201SS
1970-1960	Mitsubishi 25 amp	
Bearing (drive end)	203SS
Bearing (rear end)	202SS
1970-1960	Mitsubishi 30 amp	
Bearing (drive end)	203SS
Bearing (rear end)	202SS
1966-1960	Hitachi 30 amp	
Bearing (drive end)	202SS
Bearing (rear end)	202S

DRIVESHAFT SUPPORT

1989	240SX	
Hanger Bearing Assy	HB6
Bearing	206FF
1988-1984	200SX	
Hanger Bearing Assy	HB6
Bearing	206FF
1984-1982	Maxima	
Hanger Bearing Assy	HB6
Bearing	206FF

NISSAN/DATSUN - REAR WHEEL DRIVE - Bluebird, B110, B210, Maxima, Sedan, 1000, 1200, 1500, 1600, 200SX, 2000, 210, 240SX, 240Z, 260Z, 280Z, 280ZX, 300ZX, 410, 411, 510, 610, 710, 810, (cont.)

DRIVESHAFT SUPPORT (cont.)

1983-1980	200SX	
	Hanger Bearing Assy	HB19
1981-1980	810	
	Hanger Bearing Assy	HB19
1979-1977	Brg. I.D. 1.181" (30mm)	
	Hanger Bearing Assy	HB12
	Bearing	206FF

CAMSHAFT SEAL

4 Cylinder

1988-1984	1809cc/1.8 (DOHC), 1974cc/2.0	
	Seal	223420
	Kwik Slv (Opt Rpr)	KWK99134

6 Cylinder

1989-1984	2960cc/3.0L	
	Seal	223420[2]
	Kwik Slv (Opt Rpr)	KWK99134[2]

CRANKSHAFT REAR SEAL

4 Cylinder

1989	2389cc/2.4L	
	Seal	228009
	Kwik Slv (Opt Rpr)	KWK99315
1989-1982	1597cc/1.6L, 1598cc/1.6L, 1680cc/1.7L, 1809cc/1.8L, 1974cc/2.0L, 1998cc/2.0L	
	Seal Viton	228410
1989-1980	2389cc/2.4L, 2488cc/2.5L	
	Seal	228010
	Kwik Slv (Opt Rpr)	KWK99315
1988-1981	1487cc/1.5L, 1597cc/1.6L	
	Seal	228010
	Kwik Slv (Opt Rpr)	KWK99315
1983-1968	1595cc/1.6L, 1770cc/1.8L, 1952cc/2.0L	
	Seal	228010
	Kwik Slv (Opt Rpr)	KWK99315
1982-1980	1397cc/1.4L, 1487cc/1.5L	
	Seal	712006
	Kwik Slv (Opt Rpr)	KWK99235
1982-1971	1171CC/1.2L, 1288cc/1.3L, 1397cc/1.4L	
	Seal	712006
	Kwik Slv (Opt Rpr)	KWK99235

6 Cylinder

1989-1986	3274cc/3.3L	
	Seal Viton	228410
1989-1984	2960cc/3.0L	
	Seal Viton	228410
1984-1970	2393cc/2.4L, 2753cc/2.8L, 2793cc/2.8L	
	Seal	228010
	Kwik Slv (Opt Rpr)	KWK99315

TIMING COVER

4 Cylinder

1989	1998cc/2.0L, 2389cc/2.4L	
	Seal	224650
	Kwik Slv (Opt Rpr)	KWK99181
1989	1597cc/1.6L	
	Seal	710308
	Kwik Slv (Opt Rpr)	KWK99157
1989-1982	1598cc/1.6L, 1809cc/1.8L, 1974cc/2.0L	
	Seal	223340
1989-1967	1595cc/1.6L, 1770cc/1.8L, 1952cc/2.0L, 1982cc, 2.0L, 2187cc/2.2L	
	Seal	712010
	Kwik Slv (Opt Rpr)	KWK99189
1988-1981	1487cc/1.5L, 1597cc/1.6L	
	Seal	223602
	Kwik Slv (Opt Rpr)	KWK99146
1986-1983	1680cc/1.7L	
	Seal	710308
1986-1981	2164cc/2.2L, 2488cc/2.5L	
	Seal	225880
1982-1976	1397cc/1.4L, 1487cc/1.5L	
	Seal	223830
	Kwik Slv (Opt Rpr)	KWK99147
1979-1971	1171/1.2L, 1288cc/1.3L, 1397cc/1.4L	
	Seal	223830
	Kwik Slv (Opt Rpr)	KWK99147
1979-1969	1595cc/1.6L, 1770cc/1.8L, 1952cc/2.0L	
	Seal	712010
	Kwik Slv (Opt Rpr)	KWK99189
1970-1962	1488cc/1.5L, 1595cc/1.6L	
	Seal	224560
	Kwik Slv (Opt Rpr)	KWK99177

6 Cylinder

1989-1984	2960cc/3.0L	
	Seal	223340
1984-1970	2393cc/2.4L, 2753cc/2.8L, 2793cc/2.8L	
	Seal	712010
	Kwik Slv (Opt Rpr)	KWK99189

Bearings and Seals

Mfg./Year Model & Location Part No Mfg./Year Model & Location Part No

NISSAN/DATSUN TRUCK - MINIVAN, PICKUP, SUV - Frontier, Hardbody, Murano, Pathfinder, Patrol, Titan, Van, 520, 521, 620, 720

FRONT WHEEL

2WD

1989-1988	Pathfinder	
Seal (inner)	710072[2]
Set (inner)	SET37
Cone/Cup (outer)	LM300849-LM300811[2]
1989-1986	D21 Hardbody	
Seal (inner)	710073[2]
Set (inner)	SET5
Set (outer)	SET3
1989-1987	Van (exc. AWD)	
Bearing	510023[2]
1986-1980	720 Pickup	
Seal (inner)	2002[2]
Set (inner)	SET5
Set (outer)	SET3
1979-1978	620 Pickup	
Seal (inner)	2002[2]
Set (inner)	SET5
Set (outer)	SET3
1977-1972	620 Pickup	
Seal (inner)	1973[2]
Set (inner)	SET27
Bearing Assy (outer)	30304[2]
1972-1969	521 Pickup	
Seal (inner)	1977[2]
Bearing Assy (inner)	30206M[2]
Bearing Assy (outer)	30304[2]
1968-1965	520 Pickup	
Seal (inner)	1977[2]
Bearing Assy (inner)	30206M[2]
Bearing Assy (outer)	30304[2]

4WD

1989-1987	Pathfinder	
Seal (inner)	710072[2]
Set (inner)	SET37
Cone/Cup (outer)	LM300849-LM300811[2]
1989-1986	Hardbody	
Seal (inner)	710072[2]
Set (inner)	SET37
Cone/Cup (outer)	LM300849-LM300811[2]
1986-1983	720 Pickup (From 1/83)	
Seal (inner)	225035[2]
Cone/Cup (inner)	LM104949-LM104912[2]
Seal (outer)	710072[2]
Cone/Cup (outer)	LM300849-LM300811[2]
1983	720 Pickup (To 12/82)	
Seal (inner)	1986S[2]
Cone/Cup (inner)	LM104949-LM104912[2]
Cone/Cup (outer)	LM300849-LM300811[2]
1982-1980	720 Pickup	
Seal (inner)	1985S[2]
Cone/Cup	LM104949-LM104912[2]

REAR WHEEL

1989-1986	D21 Hardbody Pickup: single wheels	
Seal	473823[2]
Bearing Assy	30208M[2]
Seal	710305[2]
1989-1987	Pathfinder: drum brakes	
Seal (inner)	473823[2]
Bearing Assy (inner)	30208M[2]
Seal (outer)	710305[2]
1989-1987	Pathfinder: disc brakes	
Seal	710176[2]
Bearing Assy	513246[2]
1989-1986	D21 Hardbody Pickup: dual wheels	
Seal (inner)	226530[2]
Seal (outer)	223400[2]
Bearing Assy	32010X[2]
1989-1987	Van	
Seal	223542[2]
1986-1980	720 Pickup: single wheels	
Seal (inner)	1974[2]
Bearing Assy (inner)	30208M[2]
Seal (outer)	223542[2]
1986-1980	720 Pickup: dual wheels	
Seal (inner)	226530[2]
Seal (outer)	710070[2]
Bearing Assy	32010X[2]
1979-1972	620 Pickup	
Seal (inner)	1974[2]
Bearing Assy (inner)	30208M[2]
Seal (outer)	223542[2]
1972-1969	521 Pickup	
Seal (inner)	1974[2]
Bearing Assy (inner)	30208M[2]
Seal (outer)	223542[2]
1968-1965	520 Pickup	
Seal (inner)	1974[2]
Bearing Assy (inner)	30208M[2]
Seal (outer)	223542[2]

FRONT AXLE

Differential

1989-1986	R200, R200A	
Seal	223542[2]
Cone	30209C[2]
Kwik Slv (Opt Rpr)	KWK99139[2]
1989-1980	R180, R180A	
Seal	1167S[2]
Bearing Assy	30208M[2]
Kwik Slv (Opt Rpr)	KWK99128[2]

Pinion

1989-1986	R200A	
Seal (outer)	712020
Cone (outer)	32306C
Kwik Slv (Opt Rpr)	KWK99157

NISSAN/DATSUN TRUCK - MINIVAN, PICKUP, SUV - Frontier, Hardbody, Murano, Pathfinder, Patrol, Titan, Van, 520, 521, 620, 720 (cont.)

FRONT AXLE (cont.)

Pinion (cont.)

1989-1980	R180, R180A	
Bearing Assy (inner)	32307
Seal (outer)	2011S
Bearing Assy (outer)	32305
Kwik Slv (Opt Rpr)	KWK99139
Bearing (pilot)	30565

REAR AXLE

Differential

1989-1986	H233, H233B, H233BS	
Cone/Cup	17887-17831[2]
1989-1966	H190, H190A, H190B axles	
Seal	1167S[2]
Bearing Assy	30208M[2]
1989	R230	
Seal	710135[2]
Bearing Assy	32211M[2]
1989-1966	R180, R180A	
Seal	1167S[2]
Bearing Assy	30208M[2]
1989-1983	C200, C200B	
Cone	30209C[2]

Pinion

1989-1987	C200B	
Seal (outer)	710245
Cone (outer)	32306C
Kwik Slv (Opt Rpr)	KWK99166
1989-1974	H190, H190A, H190B axles	
Bearing Assy (inner)	32307
Seal (outer)	1979
Bearing Assy (outer)	30306M
1989-1983	C200	
Bearing Assy (inner)	32307
Seal (outer)	2011S
Cone (outer)	32306C
Kwik Slv (Opt Rpr)	KWK99157
1986	H233	
Bearing Assy (inner)	32307
Seal (outer)	710245
Cone (outer)	32306C
Kwik Slv (Opt Rpr)	KWK99166
1973-1966	Patrol, 520, 521, 620	
Bearing Assy (inner)	30306M
Seal (outer)	223555
Cone (outer)	30305C
Kwik Slv (Opt Rpr)	KWK99139

TRANSFER CASE REBUILD KIT

1989-1986	TX10	
Kit	TRKFN240
1986-1981	T100L	
Kit	TRKFN180

TRANSFER CASE

Input Shaft

1989-1986	TX10, TX10A (M/T)	
Seal	225030
Bearing	306TB[2]
Kwik Slv (Opt Rpr)	KWK99196
1989-1986	TX10, TX10A (A/T)	
Seal	225035
Bearing	306TB[2]
Kwik Slv (Opt Rpr)	KWK99196
1989-1986	TY10	
Seal	710120
1986-1980	T100L	
Bearing (inner)	309
Seal (outer)	1943
Bearing (outer)	306TB
Kwik Slv (Opt Rpr)	KWK99177

Front Output Shaft

1989-1986	TX10, TX10A	
Seal	710113
Bearing	212L
1989-1986	TY10	
Seal	225210
1986-1980	T100L	
Seal	1943
Bearing	206WB
Kwik Slv (Opt Rpr)	KWK99177

Rear Output Shaft

1989-1986	TX10, TX10A	
Seal	224266
Bearing	213SL
Kwik Slv (Opt Rpr)	KWK99166
1989-1986	TY10	
Seal	710121
Kwik Slv (Opt Rpr)	KWK99235
1986-1980	T100L	
Seal	1943
Bearing	308WB[2]
Kwik Slv (Opt Rpr)	KWK99177

Drive Sprocket

1989-1986	TX10, TX10A	
Bearing	208[2]

Selector Shaft Seal/Man. Shaft

1989-1986	TX10, TX10A	
Seal	221710
Kwik Slv (Opt Rpr)	KWK99068
1989-1986	TY10, TY10A	
Seal	710243
Kwik Slv (Opt Rpr)	KWK99098

TRANSMISSION REBUILD KIT

1989	FS5W71G	
Kit	TRKFN190
1989-1986	FS5R30A, FS5R30B	
Kit	TRKFN150

Bearings and Seals

Mfg./Year Model & Location Part No Mfg./Year Model & Location Part No

NISSAN/DATSUN TRUCK - MINIVAN, PICKUP, SUV - Frontier, Hardbody, Murano, Pathfinder, Patrol, Titan, Van, 520, 521, 620, 720 (cont.)

TRANSMISSION REBUILD KIT (cont.)

1989-1986	FS5W71E	
Kit		TRKFN110
1989-1986	FS5W71G	
Kit		TRKFN160
1986-1984	FS5W71C, FS5W71F	
Kit		TRKFN110
1984-1974	FS5W71A, FS5W71C, FS5W71F	
Kit		TRKFN100
1983-1980	F4W71B (4X2)	
Kit		TRKFN230
1983-1980	F4W71B, 4X4	
Kit		TRKFN270
1973-1967	F4W63	
Kit		TRKFN260

3-SPEED AUTOMATIC TRANSMISSION

Torque Converter

1987-1969	L3N71A, L3N71B, 3N71B	
Seal Viton		2025
Kwik Slv (Opt Rpr)		KWK99166
1971-1967	Borg Warner	
Seal		480479H
Kwik Slv (Opt Rpr)		KWK99168

Rear Seal/Ext. Housing

1987-1970	L3N71A, L3N71B, 3N71B	
Seal		710324
1971-1964	Borg Warner	
Seal		1097N

4-SPEED AUTOMATIC TRANSMISSION

Torque Converter

1989	RE4R01A, RL4R01A	
Seal		224663
Kwik Slv (Opt Rpr)		KWK99181
1989-1983	E4N71B, L4N71B, 4N71B	
Seal Viton		2025
Kwik Slv (Opt Rpr)		KWK99166

Rear Seal/Ext. Housing

1989-1988	RL4R01A	
Seal		224464
1989-1984	E4N71B, RE4R01A	
Seal		223801
1988-1984	4N71B	
Seal		710234
1984-1983	L4N71B	
Seal		710324

Selector Shaft Seal/Man. Shaft

1989-1988	RE4R01A, RL4R01A	
Seal		2027

4-SPEED MANUAL TRANSMISSION

Transmission Rebuild Kit

1985-1980	F4W71B (4X4)	
Kit		TRKFN270
1983-1974	F4W71B (4X2)	
Kit		TRKFN230

Input Shaft

1988	F4W71C	
Seal		1981
Bearing		306L
Kwik Slv (Opt Rpr)		KWK99114
1985-1971	F4W71B	
Seal		1981
Bearing		306L
Kwik Slv (Opt Rpr)		KWK99114
1976-1965	F4W63, F4W63A, F4W63L	
Seal		223430
Bearing		207L

Countershaft

1988	F4W71C	
Bearing (center)		305AG
Bearing (rear)		204
1985-1972	F4W71B	
Bearing (front)		304WB
Bearing (center)		305AG
Bearing (rear)		204

Rear Output Shaft

1988	F4W71C	
Seal		710324
Bearing		306TB
1985-1974	F4W71B	
Seal		710324
Bearing		1306TB
1974-1965	F4W63, F4W63A, F4W63L	
Seal		223520
Bearing		306L

Rear Extension Housing

1988	F4W71C	
Seal		710324
Bearing		205BB
1985-1974	F4W71B	
Seal		710324
Bearing		205BB
1974-1965	F4W63, F4W63A, F4W63L	
Seal		3771
Bearing		306L

5-SPEED MANUAL TRANSMISSION

Transmission Rebuild Kit

1989-1986	FS5R30A	
Kit		TRKFN150
1989-1984	FS5W71C	
Kit		TRKFN110
1983-1974	FS5W71A, FS5W71C	
Kit		TRKFN100

NISSAN/DATSUN TRUCK - MINIVAN, PICKUP, SUV - Frontier, Hardbody, Murano, Pathfinder, Patrol, Titan, Van, 520, 521, 620, 720 (cont.)

5-SPEED MANUAL TRANSMISSION

Front Input Shaft

1989-1986	FS5R30A	
Seal	1981
Bearing	1308L
Kwik Slv (Opt Rpr)	KWK99114
1989-1974	FS5W71A, FS5W71B, FS5W71C	
Seal	1981
Bearing	306LO
Kwik Slv (Opt Rpr)	KWK99114

Countershaft

1989-1980	FS5W71A, FS5W71B, FS5W71C	
Bearing (center)	305AG
Bearing (rear)	204
1979-1974	FS5W71A, FS5W71B	
Bearing (center)	305AG
Bearing (rear)	204

Rear Output Shaft

1989-1986	FS5R30A	
Seal	224215
Bearing	1308L
1989-1980	FS5W71A, FS5W71B, FS5W71C	
Seal	710324
Bearing	306TB

Extension Housing

1989-1986	FS5R30A	
Seal	224215
Bearing	307L
1989-1980	FS5W71A, FS5W71B, FS5W71C	
Seal	3771
Bearing	205BB

4-SPEED AUTOMATIC TRANSAXLE

Torque Converter

1989-1985	RL4F02A, RE4F04A	
Seal	224663
Kwik Slv (Opt Rpr)	KWK99181

5-SPEED MANUAL TRANSAXLE

Output Shaft

1989-1986	RS5F50A (4WD)	
Seal (LH)	710246
Bearing Assy (LH)	32206M
Seal (RH)	226018
Bearing Assy (RH)	30306M
1989-1986	RS5F50A (2WD)	
Seal (LH)	710246
Bearing Assy (LH)	32206M
Seal (RH)	710124
Bearing Assy (RH)	30306M

DRIVESHAFT SUPPORT

1989-1987	Pathfinder 4x2	
Hanger Bearing Assy	HB6
Bearing	206FF
1989-1986	Hardbody Pickup 4x2	
Hanger Bearing Assy	HB6
Bearing	206FF
1989-1986	Hardbody Pickup 4x4; V6	
Hanger Bearing Assy	HB13
Bearing	206FF
1986-1980	720 Pickup; 3S63H - brg I.D.= 1.181 (30mm)	
Hanger Bearing Assy	HB12
Bearing	206FF

CAMSHAFT SEAL

6 Cylinder

1989-1986	2960cc/3.0L	
Seal	223420[2]
Kwik Slv (Opt Rpr)	KWK99134[2]

CRANKSHAFT REAR SEAL

4 Cylinder

1989-1968	1595cc/1.6L, 1770cc/1.8L, 1952cc/2.0L, 2187cc/2.2L, 2389cc/2.4, 2488cc/2.5 (diesel)	
Seal	228010
Kwik Slv (Opt Rpr)	KWK99315

6 Cylinder

1989-1986	2960cc/3.0L	
Seal Viton	228410

TIMING COVER

4 Cylinder

1989-1969	1595cc/1.6L, 1770cc/1.8L, 1952cc/2.0L, 2187cc/2.2L, 2389cc/2.4	
Seal	712010
Kwik Slv (Opt Rpr)	KWK99189

1986-1981	2164cc/2.2L, 2488cc/2.5L, (diesel engines)	
Seal	225880

6 Cylinder

1989-1986	2960cc/3.0L	
Seal	223340

Bearings and Seals

Mfg./Year	Model & Location	Part No	Mfg./Year	Model & Location	Part No
-----------	------------------	---------	-----------	------------------	---------

NSU

FRONT WHEEL

1973-1966	110, 1200	
	Set (inner)	SET4
	Set (outer)	SET1
1972-1958	Prinz, Spider, Sport Prinz, 1000	
	Bearing (inner)	205BB[2]
	Bearing (outer)	203AB[2]

OLDSMOBILE - FRONT DRIVE - Cutlass Calais, Cutlass Calais International, Cutlass Calais Supreme

FRONT WHEEL

1989-1988	Cutlass Supreme, International	
	Hub Assy	513044[2]
1989-1985	Cutlass Calais, International, Quad 442	
	Hub Assy	513017K[2] ⁶¹

REAR WHEEL

1989-1988	Cutlass Supreme: non-ABS brakes	
	Hub Assy	513018[2]
1989-1988	Cutlass Supreme: ABS brakes	
	Hub Assy	513042[2]
1989-1985	Calais series: w/o stabilizer bar	
	Hub Assy	513012[2]
1989-1985	Calais series: w/stabilizer bar	
	Hub Assy	512001[2]

CLUTCH

Release Bearing

1989-1988	5-speed: Quad4: Muncie trans	
	Bearing Assy	614069
1989-1985	5-speed: 4-cylinder: exc. Quad4	
	Bearing Assy	614108
1989-1987	5-speed: 6-cylinder	
	Bearing Assy	614069
1987-1985	4-speed	
	Bearing Assy	614009

3-SPEED AUTOMATIC TRANSAXLE

Torque Converter

1989-1988	HM3T40	
	Seal	4072N
1989-1985	THM125	
	Seal	4072N

Output Shaft

1989-1985	THM125, 3T40	
	Seal	3543[2]
	Kwik Slv (Opt Rpr)	KWK99139[2]

3-SPEED AUTOMATIC TRANSAXLE

Selector Shaft Seal/Man. Shaft

1989-1985		
	Seal	8792S

4-SPEED AUTOMATIC TRANSAXLE

Torque Converter

1989-1986	THM440-T4, HM4T60, HM4T60-E, 4T40	
	Seal	4072N
1985-1982	THM325-4L	
	Seal	3227
	Kwik Slv (Opt Rpr)	KWK99174

Output Shaft

1989-1986	THM440-T4, HM4T60, HM4T60-E	
	Seal (LH)	710096
	Seal (RH)	3543
	Kwik Slv (Opt Rpr)	KWK99139[2]
1985-1982	THM325-4L	
	Seal	3907[2]
	Kwik Slv (Opt Rpr)	KWK99114[2]

Selector Shaft Seal/Man. Shaft

1989-1982		
	Seal	8792S

4-SPEED MANUAL TRANSAXLE

Differential

1987-1980	Muncie GMX-4 (76mm)	
	Set	SET11

Input Shaft

1987-1980	Muncie GMX-4 (76mm)	
	Cone/Cup (LH)	15101-15245
	Seal (RH)	3732S
	Set (RH)	SET4

430 [] Indicates Quantity Required; Set Components Listed Inside Rear Cover;

⁶¹ Kit incl: Seal, Hub Nut, and Bearing Unit

OLDSMOBILE - FRONT DRIVE - Cutlass Calais, Cutlass Calais International, Cutlass Calais Supreme (cont.)

4-SPEED MANUAL TRANSAXLE

Output Shaft

1987-1980	Muncie GMX-4 (76mm)	
Seal	3543[2]
Cone/Cup (RH)	15101-15245
Set (LH)	SET5

Selector Shaft Seal/Man. Shaft

1987-1980	Muncie GMX-4 (76mm)	
Seal	3667

5-SPEED MANUAL TRANSAXLE

Differential

1989-1985	Isuzu	
Bearing Assy	32008XM[2]
1989-1987	Getrag	
Set	SET11

Input Shaft

1989-1985	Isuzu	
Seal	222835
Kwik Slv (Opt Rpr)	KWK99111
1989-1987	Getrag	
Bearing	305DD

Output Shaft

1989-1985	Isuzu	
Seal	3543[2]
Kwik Slv (Opt Rpr)	KWK99139[2]
Bearing Assy (RH)	32206M
Set (LH)	SET5
1989-1987	Getrag	
Seal	3543[2]
Kwik Slv (Opt Rpr)	KWK99139[2]

Selector Shaft Seal/Man. Shaft

1989-1985		
Seal	3667

POWER STEERING

Pump Shaft

1989-1983	with integral reservoir	
Seal	221925
Bearing	203FF
1986-1980	with remote reservoir	
Seal	7013S

Worm Shaft

1989-1985		
Seal	222510

CRANKSHAFT REAR SEAL

4 Cylinder

1989-1988	138/2.3L, 146/2.4L	
Seal	40375

CRANKSHAFT REAR SEAL (cont.)

4 Cylinder (cont.)

1989-1985	151/2.5L	
Seal	3698

6 Cylinder

1989-1986	173/2.8L, 189/3.1L, 207/3.4L	
Seal	4307V
Kwik Slv (Opt Rpr)	KWK99298
Seal PTFE H/D Opt.	5273
1989	204/3.3L, 231/3.8L	
Seal Viton	320691
Kwik Slv (Opt Rpr)	KWK99328
1989-1986	173/2.8L 2nd design	
Seal	4307V
Seal PTFE H/D Opt.	5273
Kwik Slv (Opt Rpr)	KWK99298
1989	204/3.3L, 231/3.8L	
Seal Viton	320691
Kwik Slv (Opt Rpr)	KWK99328
1989-1985	181/3.0L, 231/3.8L, 252/4.0L	
Seal	5591
Seal PTFE H/D Opt.	5291
1988-1985	183/3.0L, 231/3.8L, 252/4.1L	
Seal	5591

TIMING COVER

4 Cylinder

1989-1985	138/2.3L, 146/2.4L	
Seal Viton	320259
Kwik Slv (Opt Rpr)	KWK99199
1989-1985	112/1.8L, 121/2.0L, 134/2.2L, 151/2.5L	
Seal	9845
Kwik Slv (Opt Rpr)	KWK99176
Harmonic Balancer	
Sleeves	88176

6 Cylinder

1989-1988	173/2.8L, 189/3.1L, 207/3.4L	
Seal	9845
Kwik Slv (Opt Rpr)	KWK99176
1989-1986	181/3.0L, 204/3.3L	
Seal Viton	710162
Kwik Slv (Opt Rpr)	KWK99193
1985	181/3.0L	
Seal	710163

Bearings and Seals

Mfg./Year Model & Location Part No Mfg./Year Model & Location Part No

OLDSMOBILE - FRONT DRIVE - Toronado, Toronado Trofeo

FRONT WHEEL

1989	Hub Assy	513059[2]
1988-1986	Hub Assy	513016K[2] ⁶¹
1985-1979	Hub Assy	513013[2]
1978-1969	Seal (inner)	5109[2]
	Set (inner)	SET23
	Seal (outer)	5123[2]

REAR WHEEL

1989-1987	ABS brakes	
	Hub Assy	513041[2]
1989-1986	Non-ABS Brakes	
	Hub Assy	513018[2]
1985-1979	rear drum brakes	
	Hub Assy	513010[2]
1985-1979	rear disc brakes	
	Hub Assy	513009[2] ¹⁶
1978-1975	Seal (inner)	9049N[2]
	Set (inner)	SET5
	Set (outer)	SET3
1974-1966	Seal (inner)	9049N[2]
	Set (inner)	SET5
	Set (outer)	SET2

3-SPEED AUTOMATIC TRANSAXLE

Torque Converter

1989-1986	Seal	4072N
------------------	------------	-------

Output Shaft

1989-1986	Seal (LH)	710096
	Kwik Slv (Opt Rpr)	KWK99139
	Seal (RH)	3543
	Kwik Slv (Opt Rpr)	KWK99138

Differential

1981-1979	Cone/Cup	LM501349-LM501314[2]
1978-1966	Cone/Cup	387A-382S[2]

Pinion

1981-1979	Cone/Cup (inner)	M802048-M802011
	Seal (outer)	3606
	Cone/Cup (outer)	M804049-M804010
1978-1966	Set (inner)	SET5

3-SPEED AUTOMATIC TRANSAXLE

Selector Shaft Seal/Man. Shaft

1989-1986	Seal	340847
	Kwik Slv (Opt Rpr)	KWK99050

4-SPEED AUTOMATIC TRANSAXLE

Differential

1985-1982	Cone/Cup	LM501349-LM501314[2]
------------------	----------------	----------------------

Torque Converter

1989-1986	Seal	4072N
1985-1982	Seal	3227
	Kwik Slv (Opt Rpr)	KWK99174
1981-1979	Seal	3227
	Kwik Slv (Opt Rpr)	KWK99174

Output Shaft

1989-1979	Seal (pass side)	3543
	Seal (driver side)	710096

Pinion

1985-1982	Cone/Cup (inner)	M802048-M802011
	Seal (outer)	3606
	Cone/Cup (outer)	M804049-M804010

Selector Shaft Seal/Man. Shaft

1989-1979	Seal	8792S
------------------	------------	-------

ALTERNATOR

1989-1979	Bearing (drive end)	203FF
	Bearing (rear end)	100CCAB

POWER STEERING

Pitman Shaft

1985-1980	Seal Kit	PSK1 ²⁴
------------------	----------------	--------------------

Pump Shaft

1989-1986	Seal	221925
	Bearing	203FF
1985-1979	Seal	480821

432 [] Indicates Quantity Required; Set Components Listed Inside Rear Cover;

¹⁶ Check for availability, while supplies last ²⁴ Opt. Kit incl. seals 5683 & 5684. Not sold separately 61

Kit incl: Seal, Hub Nut, and Bearing Unit

OLDSMOBILE - FRONT DRIVE - Toronado, Toronado Trofeo (cont.)

POWER STEERING

Worm Shaft

1985-1980
Seal 222025

CRANKSHAFT REAR SEAL

6 Cylinder

1989-1981
Seal 5591
Seal PTFE H/D Opt. 5291

8 Cylinder

1985-1966
Seal Rope 5095

TIMING COVER

6 Cylinder

1989-1986 231/3.8L
Seal Viton 710162
Kwik Slv (Opt Rpr)KWK99193

TIMING COVER (cont.)

6 Cylinder (cont.)

1984-1981 252/4.1L
Seal 471424
Kwik Slv (Opt Rpr)KWK99199
Harmonic Balancer
Sleeves 88199

8 Cylinder

1985-1966
Seal 472082
Kwik Slv (Opt Rpr)KWK99199
Harmonic Balancer
Sleeves 88199

OLDSMOBILE - FRONT DRIVE - Eighty-Eight's, Ninety-Eight's, Touring Sedan

FRONT WHEEL

1989-1985 88, 98: non-ABS brakes
Hub Assy 513016K[2]⁶¹
1989-1988 88, 98, Touring Sedan: ABS
brakes
Hub Assy 513016K[2]⁶¹

REAR WHEEL

1989-1985 88, 98: non-ABS brakes
Hub Assy 513018[2]
1989-1988 88, 98, Touring Sedan: ABS
brakes
Hub Assy 513041[2]

4-SPEED AUTOMATIC TRANSAXLE

Torque Converter

1989-1986
Seal 4072N

Output Shaft

1989-1986
Seal (LH) 710096
Seal (RH) 3543
Kwik Slv (Opt Rpr)KWK99139[2]

Selector Shaft Seal/Man. Shaft

1989-1986
Seal 8792S

POWER STEERING

Pump Shaft

1989-1986
Seal 480821

Worm Shaft

1989-1986
Seal 222510

CRANKSHAFT REAR SEAL

6 Cylinder

1989-1986
Seal 5591
Seal PTFE H/D Opt. 5291

TIMING COVER

6 Cylinder

1989-1986
Seal Viton 710162
Kwik Slv (Opt Rpr)KWK99193

[] Indicates Quantity Required; Set Components Listed Inside Rear Cover;

⁶¹ Kit incl: Seal, Hub Nut, and Bearing Unit

Bearings and Seals

Mfg./Year Model & Location Part No Mfg./Year Model & Location Part No

OLDSMOBILE - FRONT DRIVE - Cutlass Ciera, Cutlass Cruiser, Omega

FRONT WHEEL

1989-1985	JA8 brakes	
Hub Assy	513016K[2] ⁶¹
1989-1983	JA1, J41 brakes	
Hub Assy	513011K[2] ⁶¹
1989-1983	JA2, JA3 brakes	
Hub Assy	513016K[2] ⁶¹
1989-1983	JA4, JA6 brakes	
Hub Assy	513011K[2] ⁶¹
1984-1983	JA8 brakes	
Hub Assy	513011K[2] ⁶¹
1982-1980		
Hub Assy	513011K[2] ⁶¹

REAR WHEEL

1989-1985	JA8 brakes	
Hub Assy	513018[2]
1989-1983	JA1 brakes	
Hub Assy	513003[2]
1989-1983	JA2, JA3 brakes	
Hub Assy	513018[2]
1989-1983	J41 brakes	
Hub Assy	513003[2]
1984-1983	JA8 brakes	
Hub Assy	513003[2]
1982-1980		
Hub Assy	513003[2]

CLUTCH

Pilot Bearing

1984-1980	4-cylinder: 2.5 litre	
Bushing H/D	PB656HD

Release Bearing

1989-1988	5-speed: Quad4: Muncie trans	
Bearing Assy	614069
1989-1987	5-speed: 6-cylinder	
Bearing Assy	614069
1989-1983	5-speed: 4-cylinder: exc. Quad4 engine	
Bearing Assy	614108
1987-1980	4-speed	
Bearing Assy	614009

3-SPEED AUTOMATIC TRANSAXLE

Torque Converter

1989-1980		
Seal	4072N

Output Shaft

1989-1982		
Seal	3543[2]
Kwik Slv (Opt Rpr)	KWK99138[2]

3-SPEED AUTOMATIC TRANSAXLE

Selector Shaft Seal/Man. Shaft

1989-1980		
Seal	340847

POWER STEERING

Pump Shaft

1989-1980		
Seal	480821

Worm Shaft

1988-1980		
Seal	222510

CRANKSHAFT REAR SEAL

4 Cylinder

1989-1980	151/2.5L	
Seal	3698

6 Cylinder

1989-1980	173/2.8L, 189/3.1L	
Seal	4307V
Seal PTFE H/D Opt.	5273
Kwik Slv (Opt Rpr)	KWK99298
1989	204/3.3L	
Seal Viton	320691
1988-1980	181/3.0L, 231/3.8L	
Seal	5591
1984-1980	173/2.8L	
Seal	5210

TIMING COVER

4 Cylinder

1989-1980	134/2.2L, 151/2.5L	
Seal	9845
Kwik Slv (Opt Rpr)	KWK99176

6 Cylinder

1989-1980	173/2.8L, 189/3.1L	
Seal	9845
Kwik Slv (Opt Rpr)	KWK99176
1989-1984	204/3.3L, 231/3.8L	
Seal Viton	710162
Kwik Slv (Opt Rpr)	KWK99193
1985-1982	diesel	
Seal Viton	320259
Kwik Slv (Opt Rpr)	KWK99199
1985-1980	exc. diesel	
Seal	710163

434 [] Indicates Quantity Required; Set Components Listed Inside Rear Cover;

⁶¹ Kit incl: Seal, Hub Nut, and Bearing Unit

OLDSMOBILE - FRONT DRIVE - Firenza

FRONT WHEEL

1988-1985	
Hub Assy	513017K[2] ⁶¹
1984 12mm flange holes	
Hub Assy	513017K[2] ⁶¹
1984-1982 10mm flange holes	
Hub Assy	513004K[2] ⁶¹

REAR WHEEL

1988-1982	
Hub Assy	513012[2]

CLUTCH

Release Bearing

1988 5-speed: Quad4: Muncie trans	
Bearing Assy	614069
1988-1987 5-speed: 6-cylinder	
Bearing Assy	614069
1988-1983 5-speed: 4-cylinder: exc. Quad4	
Bearing Assy	614108
1987-1982 4-speed	
Bearing Assy	614009

3-SPEED AUTOMATIC TRANSAXLE

Torque Converter

1988-1982	
Seal	4072N

Output Shaft

1988-1982	
Seal	3543[2]
Kwik Slv (Opt Rpr)	KWK99139[2]

Selector Shaft Seal/Man. Shaft

1988-1984	
Seal	8792S
1983-1982	
Seal	240385

4-SPEED MANUAL TRANSAXLE

Differential

1987-1982	
Set	SET11

Input Shaft

1987-1982	
Seal	3732S
Set	SET4
Kwik Slv (Opt Rpr)	KWK99106

4-SPEED MANUAL TRANSAXLE

Output Shaft

1987-1982	
Seal	3543[2]
Kwik Slv (Opt Rpr)	KWK99139[2]
Cone/Cup (RH)	15101-15245
Set (LH)	SET5

Selector Shaft Seal/Man. Shaft

1987-1982	
Seal	472705
Kwik Slv (Opt Rpr)	KWK99058

5-SPEED MANUAL TRANSAXLE

Input Shaft

1988-1983	
Seal (front)	222835
Bearing Assy (front)	30306M
Kwik Slv (Opt Rpr)	KWK99111

Output Shaft

1988-1983	
Set (pass side)	SET5
Seal	223542[2]
Kwik Slv (Opt Rpr)	KWK99139[2]

Selector Shaft Seal/Man. Shaft

1988-1983	
Seal	710243
Kwik Slv (Opt Rpr)	KWK99058

ALTERNATOR

1988-1987	
Bearing (drive end)	203FF
Bearing (rear end)	100CCAB
1986-1983	
Bearing (drive end)	203FF
Bearing (rear end)	MNJ471S
1982	
Bearing (drive end)	203S
Bearing (rear end)	MNJ471S

POWER STEERING

Pump Shaft

1989-1982	
Seal	221925

Worm Shaft

1988-1982 exc. H.D. and Touring suspension	
Seal	222510

CRANKSHAFT REAR SEAL

4 Cylinder

1986-1982 112/1.8L, 121/2.0L	
Seal Viton	710232

[] Indicates Quantity Required; Set Components Listed Inside Rear Cover;

⁶¹ Kit incl: Seal, Hub Nut, and Bearing Unit

Bearings and Seals

Mfg./Year Model & Location Part No Mfg./Year Model & Location Part No

OLDSMOBILE - FRONT DRIVE - Firenza (cont.)

CRANKSHAFT REAR SEAL

6 Cylinder

1987-1986 173/2.8L
 Seal 4307V
 Seal PTFE H/D Opt. 5273
 Kwik Slv (Opt Rpr)KWK99298

TIMING COVER

4 Cylinder

1988-1982 112/1.8L, 121/2.0L
 Seal Viton 710164
 Kwik Slv (Opt Rpr)KWK99128

TIMING COVER

6 Cylinder

1987-1985 173/2.8L
 Seal 9845
 Kwik Slv (Opt Rpr)KWK99176

OLDSMOBILE - REAR DRIVE - Classic 98, Cruiser Wagon, Custom Cruiser, Delta 88, Delmont 88, Dynamic 88, Holiday, Ninety-Eight, Starfire, Super 88, 88, 88 Royale, 98

FRONT WHEEL

1989-1979
 Seal (inner) 8871[2]
 Set (inner)SET6
 Set (outer)SET3
1978 Standard axle: 11" rotor
 Seal (inner) 8871[2]
 Set (inner)SET6
 Set (outer)SET2
1978 Heavy Duty axle: 12" rotor
 Seal (inner) 8871[2]
 Set (inner)SET6
 Set (outer)SET3
1977
 Seal (inner) 8871[2]
 Set (inner)SET6
 Set (outer)SET2
1976-1971
 Seal (inner) 8871[2]
 Set (inner)SET5
 Set (outer)SET3
1970-1969
 Seal (inner) 9762S[2]
 Set (inner)SET5
 Set (outer)SET3
1968-1966
 Seal (inner) 8139[2]
 Set (inner)SET5
 Set (outer)SET3
1965 Standard axle: 11" rotor
 Seal (inner) 7607[2]
 Set (inner)SET6
 Set (outer)SET2
1965 Heavy Duty axle: 12" rotor
 Seal (inner) 8139[2]
 Set (inner)SET5
 Set (outer)SET3
1964-1962
 Seal (inner) 8139[2]
 Set (inner)SET5
 Set (outer)SET3

FRONT WHEEL (cont.)

1961-1959
 Seal (inner) 8139[2]
 Bearing (inner)B66[2]
 Bearing (outer) B73[2]
1958-1957
 Seal (inner) 6732[2]
 Bearing (inner)B62[2]
 Bearing (outer) B65[2]
1956-1953
 Seal (inner) 6732[2]
 Bearing (inner)B62[2]
 Bearing (outer) B67[2]

REAR WHEEL

1989-1977 8.875" ring gear
 Seal 8660S[2]
 Cyl. Bearing5707[2]
 Kit TRP1563TAV[2]¹⁹
1989-1977 8.5" ring gear: Wagon
 Seal 8835S[2]
 Cyl. Bearing 6408[2]
 Kit TRP1559TV[2]¹⁹
1989-1977 8.75" ring gear: Wagon
 Seal 8835S[2]
 Cyl. Bearing 6408[2]
 Kit TRP1559TV[2]¹⁹
1987-1980 8.5" ring gear: exc. Wagon
 Seal 8660S[2]
 Cyl. Bearing 5707[2]
 Kit TRP1563TAV[2]¹⁹
1987-1977 7.5" ring gear
 Seal 8660S[2]
 Cyl. Bearing 5707[2]
 Kit TRP1563TAV[2]¹⁹
1979-1977 8.5" ring gear: B, O axles
 Seal 712146[2]
 Set SET9

436 [] Indicates Quantity Required; Set Components Listed Inside Rear Cover;

¹⁹ Opt. Axle Repair Bearing. Replaces O.E. bearing & seal.

OLDSMOBILE - REAR DRIVE - Classic 98, Cruiser Wagon, Custom Cruiser, Delta 88, Delmont 88, Dynamic 88, Holiday, Ninety-Eight, Starfire, Super 88, 88, 88 Royale, 98 (cont.)

REAR WHEEL (cont.)

1979-1976	8.5" ring gear: C, G, K axles	
Seal	8660S[2]
Cyl. Bearing	5707[2]
Kit	TRP1563TAV[2] ¹⁹
1976-1973	8.5" ring gear: C, P, M axles	
Seal	8835S[2]
Cyl. Bearing	6408[2]
Kit	TRP1559TV[2] ¹⁹
1976-1973	8.5" ring gear: B, O axles	
Seal	2689S[2]
Set	SET10
1976-1973	8.875" ring gear: C, P, M axles	
Seal	8835S[2]
Cyl. Bearing	6408[2]
Kit	TRP1559TV[2] ¹⁹
1975-1973	9.375" ring gear	
Seal	2689S[2]
Set	SET10
1972-1971		
Seal	2689S[2]
Set	SET10
1970-1968		
Seal	8940S[2]
Bearing	88131R[2]
1967-1965		
Seal	8940S[2]
Bearing	514003P[2]
1964-1946		
Seal	450059[2]
Bearing	514003P[2]

REAR AXLE

Differential Rebuild Kit

1989-1970	8.5" ring gear	
Kit	DRK321
1989-1980	7.5" ring gear	
Kit	DRK320
1983-1976	8.75", 8.875" ring gears	
Kit	DRK323

Differential

1989-1971	B, C, G, K, O axles	
Cone/Cup	LM501349-LM501314[2]
1986-1973	8.875", 9.375" ring gears: P, M axles	
Set	SET36
1972-1971	455 engine	
Set	SET36
1972-1971	Station Wagon	
Set	SET36
1970-1967		
Cone/Cup	LM501349-LM501314[2]
1970-1965	exc. 350 engine	
Set	SET36
1964-1953		
Cone/Cup	25584-25520[2]

REAR AXLE

Pinion

1989-1971	8.5" ring gear	
Cone/Cup (inner)	M802048-M802011
Seal (outer)	2043
Cone/Cup (outer)	M88048-M88010
1988-1971	8.75" ring gear	
Cone/Cup (inner)	M802048-M802011
Seal (outer)	2043
Cone/Cup (outer)	M88048-M88010
1986-1980	7.5" ring gear: 3.125" OD	
Cone/Cup (inner)	HM89249-HM89210
Seal (outer)	8610
Cone/Cup (outer)	M86649-M86610
1981-1976	7.5" ring gear: 3" OD	
Cone/Cup (inner)	HM89449-HM89410
Seal (outer)	8610
Cone/Cup (outer)	M86649-M86610
1976-1971	8.875" ring gear	
Cone/Cup (inner)	M804049-M804010
Seal (outer)	2043
Cone/Cup (outer)	M88048-M88010
1976-1971	9.375" ring gear	
Cone/Cup (inner)	M804049-M804010
Seal (outer)	2043
Cone/Cup (outer)	M88048-M88010
1970-1966		
Cone/Cup (inner)	M804049-M804010
Seal (outer)	2043
Cone/Cup (outer)	M88048-M88010
1965		
Cone/Cup (inner)	M804049-M804010
Cone/Cup (outer)	M88048-M88010
1964-1963		
Cone/Cup (inner)	M804049-M804010
Cone/Cup (outer)	HM88649-HM88610
1962-1957		
Cone/Cup (inner)	HM804846-HM804810
Cone/Cup (outer)	HM89446-HM89410
1956-1953		
Cone/Cup (inner)	3779-3720
Cone/Cup (outer)	HM89446-HM89410

AUTOMATIC TRANSMISSION

Torque Converter

1969-1964	Super Turbine 300	
Seal	6712NA
Kwik Slv (Opt Rpr)	KWK99187
1957-1946	Hydramatic	
Seal	450725N ²⁰

Rear Seal/Ext. Housing

1969-1964	Super Turbine 300	
Seal	9613S
1964-1946	Hydramatic: 1.687" shaft	
Seal	9613S
Bearing	107WB
Seal Kit	5205 ⁶⁴

[] Indicates Quantity Required; Set Components Listed Inside Rear Cover;

¹⁹ Opt. Axle Repair Bearing. Replaces O.E. bearing & seal. availability

²⁰ Not currently in production; check for

⁶⁴ Opt. Seal and Bushing Kit

Bearings and Seals

Mfg./Year Model & Location Part No Mfg./Year Model & Location Part No

OLDSMOBILE - REAR DRIVE - Classic 98, Cruiser Wagon, Custom Cruiser, Delta 88, Delmont 88, Dynamic 88, Holiday, Ninety-Eight, Starfire, Super 88, 88, 88 Royale, 98 (cont.)

AUTOMATIC TRANSMISSION (cont.)

Rear Seal/Ext. Housing (cont.)

1958-1946	Hydramatic: 1.5" shaft	
Seal	7038SA
Seal Kit	5200 ⁶⁴

3-SPEED AUTOMATIC TRANSMISSION

Torque Converter

1988-1976	THM200	
Seal	3227
Kwik Slv (Opt Rpr)	KWK99174
1984-1964	THM350, THM400, THM350C	
Seal	6712NA
Kwik Slv (Opt Rpr)	KWK99187
1964-1961	Roto-Hydramatic	
Seal	7442H
1960-1958	Jetaway 315	
Seal	7018N

Rear Seal/Ext. Housing

1988-1970	THM200 THM350 THM350C	
Seal	9613S
Kwik Slv (Opt Rpr)	KWK99149
Seal Kit	5200 ⁶⁴
1980-1964	THM400: 1.890" shaft	
Seal	9449
Kwik Slv (Opt Rpr)	KWK99189
Seal Kit	5208 ⁶⁴
1977-1965	Hydramatic: 1.687" shaft	
Seal	9613S
Seal Kit	5205 ⁶⁴
1964-1954	Jetaway 315	
Seal	7038SA
1964-1954	Roto-Hydramatic 375	
Seal	7038SA

Selector Shaft Seal/Man. Shaft

1988-1965		
Seal	8792S
1964-1961		
Seal	342805

4-SPEED AUTOMATIC TRANSMISSION

Torque Converter

1989-1988		
Seal	3227
Kwik Slv (Opt Rpr)	KWK99174

4-SPEED AUTOMATIC TRANSMISSION

Rear Seal/Ext. Housing

1989-1988		
Seal	9613S
Kwik Slv (Opt Rpr)	KWK99149
Seal Kit	5200 ⁶⁴

Selector Shaft Seal/Man. Shaft

1988-1982		
Seal	8792S

CLUTCH

Pilot Bearing

1970-1966	all	
Bearing	7109
1965	8-cylinder	
Bearing	7109

Release Bearing

1978-1977	1.609" long release bearing	
Bearing Assy	614037 ⁴²
1978-1977	1.22" long release bearing	
Bearing Assy	614018 ⁴²
1978-1975	exc. 1.609", 1.220" long	
Bearing Assy	1377C
1974-1967	Delmont: 330, 350: standard clutch	
Bearing Assy	614037 ⁴²
1972-1966	exc. 1967- 1972 Delmont:330, 350: standard clutch	
Bearing Assy	614018 ⁴²
1964-1950		
Bearing Only	1755C

3-SPEED MANUAL TRANSMISSION

Transmission Rebuild Kit

1987-1966	SM326 Saginaw: 76mm shaft	
Kit	TRK301

Front Input Shaft

1971-1966	Saginaw	
Seal	7412S
Bearing	207SLB
Kwik Slv (Opt Rpr)	KWK99125
1970-1965	Tremac	
Seal	482208
Bearing	208LO
Kwik Slv (Opt Rpr)	KWK99112
1965	Warner	
Seal	7412S
Bearing	307L
Kwik Slv (Opt Rpr)	KWK99125
1965-1964	SM318, SM319: with overdrive	
Seal	7412S
Bearing	1207SLB
Kwik Slv (Opt Rpr)	KWK99125

438 [] Indicates Quantity Required; Set Components Listed Inside Rear Cover;

⁴² Sealed Self-Aligning Bearing ⁶⁴ Opt. Seal and Bushing Kit

OLDSMOBILE - REAR DRIVE - Classic 98, Cruiser Wagon, Custom Cruiser, Delta 88, Delmont 88, Dynamic 88, Holiday, Ninety-Eight, Starfire, Super 88, 88, 88 Royale, 98 (cont.)

3-SPEED MANUAL TRANSMISSION

(cont.)

Front Input Shaft (cont.)

1965-1964	SM318, SM319: exc. overdrive	
Seal	7412S
Bearing	207SLB
Kwik Slv (Opt Rpr)	KWK99125
1960-1942		
Bearing	207SL

Rear Output Shaft

1971-1966	Saginaw	
Seal	9613S
Bearing	306SLVB
Seal Kit	5200 ⁶⁴
1970-1965	Tremac	
Seal	9613S
Bearing	207L
Seal Kit	5200 ⁶⁴
1965	Warner	
Seal	9613S
Bearing	1307L
1965-1964	SM319	
Seal	9613S
Bearing	306LO
Seal Kit	5200 ⁶⁴
1960-1946	exc. 40 & 50 Series, Special, Super	
Bearing	306L
1955-1953	50 Series, Super	
Bearing	306L
1955-1946	40 Series, Special	
Bearing	206WB
1952-1946	50 Series, Super	
Bearing	206WB

Selector Shaft Seal/Man. Shaft

1971-1966		
Seal	240735
Kwik Slv (Opt Rpr)	KWK99076
1960-1946		
Seal	340724

4-SPEED MANUAL TRANSMISSION

Input Shaft

1972-1964	Muncie	
Seal	7412S
Bearing	N1307L
Kwik Slv (Opt Rpr)	KWK99125
1965	Warner	
Seal	7412S
Bearing	307L
Kwik Slv (Opt Rpr)	KWK99125

4-SPEED MANUAL TRANSMISSION

Rear Output Shaft

1972-1964	Muncie: 83mm 32-spline shaft	
Seal	9449
Bearing	308L
Seal Kit	5208 ⁶⁴
1972-1964	Muncie: 83mm 27-spline shaft	
Seal	9613S
Bearing	308L
Seal Kit	5200 ⁶⁴
1965	T10 Warner: 27-spline shaft	
Seal	9613S
Bearing	307L
Seal Kit	5200 ⁶⁴

Selector Shaft Seal/Man. Shaft

1979-1978	Saginaw: 76mm shaft	
Seal	240735
Kwik Slv (Opt Rpr)	KWK99076

POWER STEERING

Pitman Shaft

1989-1960		
Seal Kit	PSK1 ²⁴

Pump Shaft

1989-1958	Saginaw	
Seal	7013S
1967-1961	Federal pump	
Seal	8773S
1957-1953	Vickers pump	
Bearing (inner)	201AB
Seal (outer)	8059S
1952		
Bearing (inner)	201AB
Bearing (outer)	204SS

MANUAL STEERING

Pitman Shaft

1972-1964		
Seal	313842
1963-1954		
Seal	50151S

Worm Shaft

1972-1954		
Seal	474131

CRANKSHAFT REAR SEAL

6 Cylinder

1985-1977		
Seal	5591
Seal PTFE H/D Opt.	5291

[] Indicates Quantity Required; Set Components Listed Inside Rear Cover;

²⁴ Opt. Kit incl. seals 5683 & 5684. Not sold separately

⁶⁴ Opt. Seal and Bushing Kit

Bearings and Seals

Mfg./Year Model & Location Part No Mfg./Year Model & Location Part No

OLDSMOBILE - REAR DRIVE - Classic 98, Cruiser Wagon, Custom Cruiser, Delta 88, Delmont 88, Dynamic 88, Holiday, Ninety-Eight, Starfire, Super 88, 88, 88 Royale, 98 (cont.)

CRANKSHAFT REAR SEAL

8 Cylinder

1989	307/5.0L	
Seal		5419
1988-1975	260/4.3, 307/5.0, Diesel, 403/6.6, 455/7.5	
Seal		5591
1982-1977	267/4.4L, 350/5.7L (G) & (L)	
Seal		5092
1979	301/4.9	
Seal		5073
1975	400/6.6L Small Block	
Seal		5073
1974-1964		
Seal		5591
1964-1959	394/6.5L	
Seal		5072

TIMING COVER

6 Cylinder

1985-1977	231/3.8L	
Seal		710163
1983-1981	252/4.1L	
Seal		471424
Kwik Slv (Opt Rpr)		KWK99199
Harmonic Balancer		
Sleeves		88199

TIMING COVER

8 Cylinder

1989-1980		
Seal		472082
Kwik Slv (Opt Rpr)		KWK99199
Harmonic Balancer		
Sleeves		88199
1979	301/4.9	
Seal		332062
Kwik Slv (Opt Rpr)		KWK99186
Harmonic Balancer		
Sleeves		88186
1979-1978	350/5.7L Diesel	
Seal		472082
Kwik Slv (Opt Rpr)		KWK99199
Harmonic Balancer		
Sleeves		88199
1979-1964	exc. 350/5.7L (L), 350/5.7L diesel, 301/4.9L	
Seal		472082
Kwik Slv (Opt Rpr)		KWK99199
Harmonic Balancer		
Sleeves		88199
1977	350/5.7L engine code (L)	
Seal		9845
Kwik Slv (Opt Rpr)		KWK99176
Harmonic Balancer		
Sleeves		88176
1964-1959	394/6.5L	
Seal		473231
Kwik Slv (Opt Rpr)		KWK99162

OLDSMOBILE - REAR DRIVE - Cutlass, Cutlass Cruiser, F-85 Series, Vista Cruiser, 4-4-2, Jetstar 1

FRONT WHEEL

1988-1982		
Seal (inner)		8871[2]
Set (inner)		SET6
Set (outer)		SET34
1981-1979		
Seal (inner)		8871[2]
Set (inner)		SET6
Set (outer)		SET3
1978-1973		
Seal (inner)		8871[2]
Set (inner)		SET6
Set (outer)		SET2
1972-1969		
Seal (inner)		8705S[2]
Set (inner)		SET6
Set (outer)		SET2
1968-1967	disc brakes	
Seal (inner)		8705S[2]
Set (inner)		SET6
Set (outer)		SET2

FRONT WHEEL (cont.)

1968-1961	drum brakes	
Seal (inner)		7607[2]
Set (inner)		SET6
Set (outer)		SET2

REAR WHEEL

1988-1978	7.5" ring gear	
Seal		8660S[2]
Cyl. Bearing		5707[2]
Kit		TRP1563TAV[2] ¹⁹
1978-1973	Vista Cruiser	
Seal		8835S[2]
Cyl. Bearing		6408[2]
Kit		TRP1559TV[2] ¹⁹
1977-1973	8.5" ring gear: C, G, K axles	
Seal		8660S[2]
Cyl. Bearing		5707[2]
Kit		TRP1563TAV[2] ¹⁹
1977-1970	8.5" ring gear: B, O axles	
Seal		712146[2]
Set		SET9

440 [] Indicates Quantity Required; Set Components Listed Inside Rear Cover;

¹⁹ Opt. Axle Repair Bearing. Replaces O.E. bearing & seal.

OLDSMOBILE - REAR DRIVE - Cutlass, Cutlass Cruiser, F-85 Series, Vista Cruiser, 4-4-2, Jetstar 1 (cont.)

REAR WHEEL (cont.)

1976	8.875" ring gear	
Seal	8835S[2]
Cyl. Bearing	6408[2]
Kit	TRP1559TV[2] ¹⁹
1972-1969	Vista Cruiser	
Seal	2689S[2]
Set	SET10
1969-1968	C axle exc. Vista Cruiser	
Seal	8660S[2]
Cyl. Bearing	5707[2]
Kit	TRP1563TAV[2] ¹⁹
1969-1968	O axle exc. Vista Cruiser	
Seal	8594S[2]
Bearing	RW507CR[2]
1968-1966	Vista Cruiser	
Seal	9116S[2]
Bearing	RW507GR[2]
1967-1964	exc. Vista Cruiser	
Seal	8594S[2]
Bearing	RW507CR[2]
1966	Jetstar	
Seal	8594S[2]
Bearing	RW101R[2]
1965-1964	Jetstar I	
Seal	8940S[2]
Bearing	514003P[2]
1965-1964	Vista Cruiser	
Seal	8594S[2]
Bearing	RW507AR[2]
1964	Jetstar: Canadian	
Seal	450059[2]
Bearing	514003P[2]
1963-1961	exc. Vista Cruiser	
Bearing	88107AR[2]

REAR AXLE

Differential Rebuild Kit

1988-1982	7.625" ring gear	
Kit	DRK320
1988-1980	7.5" ring gear	
Kit	DRK320
1987-1970	8.5" ring gear	
Kit	DRK321
1977-1973	8.75" ring gear	
Kit	DRK323

Differential

1988-1973	B, C, G, K, O axles	
Cone/Cup	LM501349-LM501314[2]
1988-1973	7.5", 7.625", 8.5" ring gears	
Cone/Cup	LM501349-LM501314[2]
1977-1973	8.75", 8.875" ring gears	
Set	SET36
1972-1964	exc. Jetstar I	
Cone/Cup	LM501349-LM501314[2]
1965-1964	Jetstar I	
Set	SET36
1963-1961	all	
Cone/Cup	LM603049-LM603015[2]

Pinion

1988-1980	7.5" ring gear: 3.125" bearing OD	
Cone/Cup (inner)	HM89249-HM89210
Seal (outer)	8610
Cone/Cup (outer)	M86649-M86610
1981-1978	7.5" ring gear: 3" bearing OD	
Cone/Cup (inner)	HM89449-HM89410
Seal (outer)	8610
Cone/Cup (outer)	M86649-M86610
1977-1973	8.5" ring gear	
Cone/Cup (inner)	M802048-M802011
Seal (outer)	2043
Cone/Cup (outer)	M88048-M88010
1977-1973	8.75" ring gear	
Cone/Cup (inner)	M802048-M802011
Seal (outer)	2043
Cone/Cup (outer)	M88048-M88010
1976-1973	8.875" ring gear	
Cone/Cup (inner)	M804049-M804010
Seal (outer)	2043
Cone/Cup (outer)	M88048-M88010
1976-1973	9.375" ring gear	
Cone/Cup (inner)	M804049-M804010
Seal (outer)	2043
Cone/Cup (outer)	M88048-M88010
1972-1971	all	
Cone/Cup (inner)	M802048-M802011
Seal (outer)	2043
Cone/Cup (outer)	M88048-M88010
1970-1966	O, P axles	
Cone/Cup (inner)	M802048-M802011
Seal (outer)	2043
Cone/Cup (outer)	M86649-M86610
1967-1966	B axle	
Cone/Cup (inner)	M802048-M802011
Cone/Cup (outer)	M86649-M86610
1965-1964	exc. Jetstar I	
Cone/Cup (inner)	HM89449-HM89410
Cone/Cup (outer)	M86649-M86610
1965-1964	Jetstar I	
Cone/Cup (inner)	M804049-M804010
Cone/Cup (outer)	M88048-M88010
1963-1961	all	
Cone/Cup (inner)	M802048-M802011
Cone/Cup (outer)	M88048-M88010

AUTOMATIC TRANSMISSION

Torque Converter

1970-1964	Super Turbine 300	
Seal	6712NA
Kwik Slv (Opt Rpr)	KWK99187
1964-1961	Roto-Hydrumatic	
Seal	7442H

Rear Seal/Ext. Housing

1970-1964	Super Turbine 300	
Seal	9613S
1964-1961	Roto-Hydrumatic 240	
Seal	473234

[] Indicates Quantity Required; Set Components Listed Inside Rear Cover;
¹⁹ Opt. Axle Repair Bearing. Replaces O.E. bearing & seal.

Bearings and Seals

Mfg./Year Model & Location Part No Mfg./Year Model & Location Part No

OLDSMOBILE - REAR DRIVE - Cutlass, Cutlass Cruiser, F-85 Series, Vista Cruiser, 4-4-2, Jetstar 1 (cont.)

AUTOMATIC TRANSMISSION

Selector Shaft Seal/Man. Shaft

1964-1961 Roto-Hydrumatic
Seal 342805

3-SPEED AUTOMATIC TRANSMISSION

Torque Converter

1988-1976 THM200
Seal 3227
Kwik Slv (Opt Rpr) KWK99174
1984-1965 THM250, 350, 375, 400
Seal 6712NA
Kwik Slv (Opt Rpr) KWK99187

Rear Seal/Ext. Housing

1988-1967 THM200, 250, 350, 350C
Seal 9613S
Kwik Slv (Opt Rpr) KWK99149
Seal Kit 5200⁶⁴
1977-1965 THM400: 1.890" shaft
Seal 9449
Kwik Slv (Opt Rpr) KWK99189
Seal Kit 5208⁶⁴
1977-1965 THM400: 1.687" shaft
Seal 7038SA
Kwik Slv (Opt Rpr) KWK99168
Seal Kit 5205⁶⁴

Selector Shaft Seal/Man. Shaft

1988-1965
Seal 8792S

4-SPEED AUTOMATIC TRANSMISSION

Torque Converter

1988
Seal 3227
Kwik Slv (Opt Rpr) KWK99174

Rear Seal/Ext. Housing

1988
Seal 9613S
Kwik Slv (Opt Rpr) KWK99149
Seal Kit 5200⁶⁴

Selector Shaft Seal/Man. Shaft

1988
Seal 8792S

CLUTCH

Pilot Bearing

1981-1976 8-cyl
Bearing 7109
1981-1965 6-cylinder
Bushing PB656
Bushing H/D Opt PB656HD
1975-1965 8-cylinder
Bearing 7109

CLUTCH (cont.)

Pilot Bearing (cont.)

1964 6-cylinder
Bearing 7109

CLUTCH - 6 CYLINDER

Release Bearing

1981-1964
Bearing Assy 614018⁴²

CLUTCH - 8 CYLINDER

Release Bearing

1980-1975 260/4.3
Bearing Assy 614037⁴²
1979-1978 305/5.0L, 350/5.7L
Bearing Assy 614018⁴²
1972-1968 350/5.7L 4bbl carb
Bearing Assy 614018⁴²
1972-1968 350/5.7L 2bbl carb
Bearing Assy 614037⁴²
1972-1968 exc. 350 engine
Bearing Assy 614018⁴²
1967-1965 330/5.4L w/11" clutch
Bearing Assy 614018⁴²
1967-1965 330/5.4L w/10.5" clutch
Bearing Assy 614037⁴²
1965 425/7.0L
Bearing Assy 614018⁴²

3-SPEED MANUAL TRANSMISSION

Transmission Rebuild Kit

1987-1966 SM326 Saginaw: 76mm shaft
Kit TRK301

Front Input Shaft

1981-1966 Saginaw
Seal 7412S
Bearing 207SLB
Kwik Slv (Opt Rpr) KWK99125
1970-1965 Tremac
Seal 482208
Bearing 208LO
Kwik Slv (Opt Rpr) KWK99112
1965 Warner
Seal 7412S
Bearing 307L
Kwik Slv (Opt Rpr) KWK99125
1965-1963 SM318, SM319: with overdrive
Seal 7412S
Bearing 1207SLB
Kwik Slv (Opt Rpr) KWK99125
1965-1963 SM318, SM319: exc. overdrive
Seal 7412S
Bearing 207SLB
Kwik Slv (Opt Rpr) KWK99125
1963-1961 Warner
Bearing 1207L

442 [] Indicates Quantity Required; Set Components Listed Inside Rear Cover;

⁴² Sealed Self-Aligning Bearing ⁶⁴ Opt. Seal and Bushing Kit

OLDSMOBILE - REAR DRIVE - Cutlass, Cutlass Cruiser, F-85 Series, Vista Cruiser, 4-4-2, Jetstar 1 (cont.)

3-SPEED MANUAL TRANSMISSION

Rear Output Shaft

1981-1980	Saginaw	
Seal		9613S
Bearing		1306SLVB
Seal Kit		5200 ⁶⁴
1979-1966	Saginaw	
Seal		9613S
Bearing		306SLVB
Seal Kit		5200 ⁶⁴
1965	T16 Warner	
Seal		9613S
Bearing		1307L
Seal Kit		5200 ⁶⁴
1965-1963	SM318, SM319	
Seal		9613S
Bearing		306LO
Seal Kit		5200 ⁶⁴
1963-1961	T86 Warner	
Seal		9613S
Bearing		1207L

Selector Shaft Seal/Man. Shaft

1981-1966		
Seal		240735
Kwik Slv (Opt Rpr)		KWK99076
1963-1961		
Seal		340797
Kwik Slv (Opt Rpr)		KWK99059

4-SPEED MANUAL TRANSMISSION

Input Shaft

1981-1980	Saginaw	
Seal		7412S
Bearing		1207SLB
Kwik Slv (Opt Rpr)		KWK99125
1979-1978	Saginaw	
Seal		7412S
Bearing		207SLB
Kwik Slv (Opt Rpr)		KWK99125
1972-1964	Muncie	
Seal		7412S
Bearing		N1307L
Kwik Slv (Opt Rpr)		KWK99125
1963-1962	Warner	
Seal		7412S
Bearing		307L
Kwik Slv (Opt Rpr)		KWK99125

Rear Output Shaft

1981-1980	Saginaw	
Seal		9613S
Bearing		1306SLVB
Seal Kit		5200 ⁶⁴
1979-1978	Saginaw	
Seal		9613S
Bearing		306SLVB
Seal Kit		5200 ⁶⁴

4-SPEED MANUAL TRANSMISSION

(cont.)

Rear Output Shaft (cont.)

1972-1963	Muncie 32-spline	
Seal		9449
Bearing		308L
Seal Kit		5208 ⁶⁴
1972-1963	Muncie 27-spline	
Seal		9613S
Bearing		308L
Seal Kit		5200 ⁶⁴
1963-1962	T10 Warner: 27-spline shaft	
Seal		9613S
Bearing		307L
Seal Kit		5200 ⁶⁴

Selector Shaft Seal/Man. Shaft

1981-1975	Saginaw	
Seal		240735
Kwik Slv (Opt Rpr)		KWK99076

5-SPEED MANUAL TRANSMISSION

Front Input Shaft

1979-1976		
Seal		251511
Kwik Slv (Opt Rpr)		KWK99125

Rear Output Shaft

1980-1975		
Seal		9613S
Kwik Slv (Opt Rpr)		KWK99149
Seal Kit		5200 ⁶⁴

DRIVESHAFT SUPPORT

1963-1961		
Needle Bearing		X908CC

POWER STEERING

Pitman Shaft

1988-1984		
Seal Kit		PSK1 ²⁴
1983-1978	605 Gear with round side cover	
Seal		710285
1983-1961	800 Gear with 4 bolt side cover	
Seal Kit		PSK1 ²⁴

Pump Shaft

1988-1963	Saginaw pump	
Seal		7013S
1967-1961	Federal pump	
Seal		8773S

[] Indicates Quantity Required; Set Components Listed Inside Rear Cover;

²⁴ Opt. Kit incl. seals 5683 & 5684. Not sold separately

⁶⁴ Opt. Seal and Bushing Kit

Bearings and Seals

Mfg./Year Model & Location Part No Mfg./Year Model & Location Part No

OLDSMOBILE - REAR DRIVE - Cutlass, Cutlass Cruiser, F-85 Series, Vista Cruiser, 4-4-2, Jetstar 1 (cont.)

POWER STEERING

Worm Shaft

1988-1980
Seal 222025

MANUAL STEERING

Pitman Shaft

1981-1963
Seal 313842
1963-1961
Seal 50151S

Worm Shaft

1981-1963
Seal 474131
Bearing 8537[2]
1962-1961
Seal 340495

CRANKSHAFT REAR SEAL

6 Cylinder

1987-1977 231/3.8L
Seal 5591
Seal PTFE H/D Opt. 5291
1976-1966 250/4.1L
Seal 5092
1965-1964 225/3.7L
Seal 5650

8 Cylinder

1988-1980 exc. 305 engine
Seal Rope 5095
1980 305/5.0L
Seal 5092
1979 350/5.7L (R)
Seal 5591
Seal PTFE H/D Opt. 5291
1979-1978 305/5.0L, 350/5.7L (L)
Seal 5092
1979-1972 exc. 350/5.7L engine code (H),
(J), & (R)
Seal Rope 5095
1977-1972 350/5.7L engine code (H), (J), &
(R)
Seal 5591
Seal PTFE H/D Opt. 5291
1971-1963 exc. 394/6.5
Seal Rope 5095
1964 394/6.5L
Seal 5072
1963-1961
Seal 5591
Seal PTFE H/D Opt. 5291

TIMING COVER

6 Cylinder

1987-1986 231/3.8L
Seal Viton 710162
Kwik Slv (Opt Rpr) KWK99193
1985-1982 262/4.3L diesel
Seal 9845
Kwik Slv (Opt Rpr) KWK99176
Harmonic Balancer
Sleeves 88176
1985-1977 231/3.8L
Seal 710163
1976-1966 250/4.1L
Seal 9845
Kwik Slv (Opt Rpr) KWK99176
Harmonic Balancer
Sleeves 88176
1965-1964 225/3.7L
Seal 3095
Kwik Slv (Opt Rpr) KWK99226

8 Cylinder

1988-1980 exc. 305 engine
Seal 472082
Kwik Slv (Opt Rpr) KWK99199
Harmonic Balancer
Sleeves 88199
1980-1978 305/5.0L, 350/5.7L
Seal 9845
Kwik Slv (Opt Rpr) KWK99176
Harmonic Balancer
Sleeves 88176
1979-1972 exc. 305/5.0, 350/5.7 (J) & (L)
Seal 472082
Kwik Slv (Opt Rpr) KWK99199
Harmonic Balancer
Sleeves 88199
1972 350/5.7L engine code (J)
Seal 710173
Kwik Slv (Opt Rpr) KWK99196
1971-1963 330/5.4, 350/5.7, 400/6.6,
425/7.0, 455/7.5
Seal 472082
Kwik Slv (Opt Rpr) KWK99199
Harmonic Balancer
Sleeves 88199
1964 394/6.5L
Seal 473231
Kwik Slv (Opt Rpr) KWK99162

OLDSMOBILE - REAR DRIVE - Omega, Starfire

FRONT WHEEL

1980-1975 Omega	
Seal (inner)	8871[2]
Set (inner)	SET6
Set (outer)	SET3
1980-1975 Starfire	
Seal (inner)	8705S[2]
Set (inner)	SET6
Set (outer)	SET1
1974-1973 Omega	
Seal (inner)	8705S[2]
Set (inner)	SET6
Set (outer)	SET2

REAR WHEEL

1980-1973	
Seal	8660S[2]
Cyl. Bearing	5707[2]
Kit	TRP1563TAV[2] ¹⁹

REAR AXLE

Differential Rebuild Kit

1979-1973 8.5" ring gear	
Kit	DRK321

Differential

1980-1973 7.5" ring gear	
Cone/Cup	LM501349-LM501314[2]
1980-1973 8.5" ring gear	
Cone/Cup	LM501349-LM501314[2]
1977-1976 6.5" ring gear: Starfire	
Cone/Cup	LM48548-LM48511[2]

Pinion

1980-1976 Omega: 7.5" ring gear	
Cone/Cup (inner)	HM89449-HM89410
Seal (outer)	8610
Cone/Cup (outer)	M86649-M86610
1980-1976 Starfire: 7.5" ring gear	
Cone/Cup (inner)	HM88649-HM88610
Seal (outer)	8610
Cone/Cup (outer)	M86649-M86610
1980-1973 Omega: 8.5" ring gear	
Cone/Cup (inner)	M802048-M802011
Seal (outer)	2043
Cone/Cup (outer)	M88048-M88010
1977-1976 Starfire: 6.5" ring gear	
Cone/Cup (inner)	M88048-M88010
Seal (outer)	8610
Cone/Cup (outer)	M86649-M86610
1975 Starfire	
Cone/Cup (inner)	HM88649-HM88610
Seal (outer)	8611N
Cone/Cup (outer)	M86649-M86610

3-SPEED AUTOMATIC TRANSMISSION

Torque Converter

1980-1977 THM200	
Seal	3227
Kwik Slv (Opt Rpr)	KWK99174
1980-1973 THM350, 350C	
Seal	6712NA
Kwik Slv (Opt Rpr)	KWK99187

Rear Seal/Ext. Housing

1980-1973	
Seal	9613S
Kwik Slv (Opt Rpr)	KWK99149
Seal Kit	5200 ⁶⁴

Selector Shaft Seal/Man. Shaft

1980-1973	
Seal	8792S

CLUTCH

Pilot Bearing

1980-1973 exc. 260/4.3	
Bushing	PB656
Bushing H/D	PB656HD
1977-1975 260/4.3	
Bearing	7109

CLUTCH - 4 CYLINDER

Release Bearing

1980-1976	
Bearing Assy	614018 ⁴²

CLUTCH - 6 CYLINDER

Release Bearing

1980-1979	
Bearing Assy	614018 ⁴²
1978-1975 cone diaph	
Bearing Assy	1377C
1978-1973 exc. cone diaph	
Bearing Assy	614037 ⁴²

CLUTCH - 8 CYLINDER

Release Bearing

1979-1977 305/5.0L	
Bearing Assy	614018 ⁴²
1977-1975 260/4.3	
Bearing Assy	614037 ⁴²

3-SPEED MANUAL TRANSMISSION

Transmission Rebuild Kit

1979-1973 Saginaw	
Kit	TRK301

[] Indicates Quantity Required; Set Components Listed Inside Rear Cover;

¹⁹ Opt. Axle Repair Bearing. Replaces O.E. bearing & seal.
Opt. Seal and Bushing Kit

⁴² Sealed Self-Aligning Bearing

Bearings and Seals

Mfg./Year Model & Location Part No Mfg./Year Model & Location Part No

OLDSMOBILE - REAR DRIVE - Omega, Starfire (cont.)

3-SPEED MANUAL TRANSMISSION

Front Input Shaft

1979-1973 Saginaw
 Seal 7412S
 Bearing 207SLB
 Kwik Slv (Opt Rpr)KWK99125

Rear Output Shaft

1979-1973 Saginaw
 Seal 9613S
 Bearing 306SLVB
 Kwik Slv (Opt Rpr)KWK99149
 Seal Kit 5200⁶⁴

Selector Shaft Seal/Man. Shaft

1979-1973 Saginaw
 Seal 240735
 Kwik Slv (Opt Rpr)KWK99076

4-SPEED MANUAL TRANSMISSION

Input Shaft

1980-1975 Saginaw
 Seal 7412S
 Bearing 207SLB
 Kwik Slv (Opt Rpr)KWK99125

Rear Output Shaft

1980-1975 Saginaw
 Seal 9613S
 Bearing 306SLVB
 Kwik Slv (Opt Rpr)KWK99149
 Seal Kit 5200⁶⁴

Selector Shaft Seal/Man. Shaft

1980-1975 Saginaw
 Seal 240735
 Kwik Slv (Opt Rpr)KWK99076

5-SPEED MANUAL TRANSMISSION

Front Input Shaft

1980-1975
 Seal 251511
 Kwik Slv (Opt Rpr)KWK99149

Rear Output Shaft

1980-1975
 Seal 9613S
 Seal Kit 5200⁶⁴

POWER STEERING

Pitman Shaft

1980-1977 605 Gear with round side cover
 Seal 710285
1980-1973 800 Gear with 4 bolt side cover
 Seal Kit PSK1²⁴

POWER STEERING

Pump Shaft

1980-1973 Saginaw
 Seal 7013S

Worm Shaft

1980-1973
 Seal 222025

MANUAL STEERING

Pitman Shaft

1980-1973
 Seal 313842

Worm Shaft

1980-1973
 Seal 474131
 Bearing 8537[2]

CRANKSHAFT REAR SEAL

4 Cylinder

1980-1978
 Seal 3698

6 Cylinder

1980-1975 231/3.8L
 Seal 5591
 Seal PTFE H/D Opt. 5291
1976-1973 250/4.1L
 Seal 5092

8 Cylinder

1979-1977 305/5.0L
 Seal 5092
1979-1977 350/5.7L engine code (L)
 Seal 5092
1977-1975 260/4.3
 Seal Rope 5095
1977-1973 350/5.7L engine code (H), (J), &
 (R)
 Seal 5591
 Seal PTFE H/D Opt. 5291

TIMING COVER

4 Cylinder

1980-1978
 Seal 9845
 Kwik Slv (Opt Rpr)KWK99176
 Harmonic Balancer
 Sleeves 88176

6 Cylinder

1980-1975 231/3.8L
 Seal 710163

446 [] Indicates Quantity Required; Set Components Listed Inside Rear Cover;

²⁴ Opt. Kit incl. seals 5683 & 5684. Not sold separately ⁶⁴ Opt. Seal and Bushing Kit

OLDSMOBILE - REAR DRIVE - Omega, Starfire (cont.)

TIMING COVER (cont.)

6 Cylinder (cont.)

1976-1973	250/4.1L	
Seal		9845
Kwik Slv (Opt Rpr)		KWK99176
Harmonic Balancer		
Sleeves		88176

8 Cylinder

1979-1977	305/5.0L, 350/5.7L	
Seal		9845
Kwik Slv (Opt Rpr)		KWK99176
Harmonic Balancer		
Sleeves		88176

TIMING COVER (cont.)

8 Cylinder (cont.)

1977-1975	260/4.3	
Seal		472082
Kwik Slv (Opt Rpr)		KWK99199
Harmonic Balancer		
Sleeves		88199
1976-1975	350/5.7L	
Seal		710173
Kwik Slv (Opt Rpr)		KWK99196

PACKARD - Caribbean, Cavalier, Clipper Series, Commodore, Convertible, Custom 8, Darrin, Eight, Executive, Hawk, Hearse, Limousine, Mayfair, Pacific, Panama, Patrician, Sport Convertible Coupe, Station Sedan, Super CI

FRONT WHEEL

1958-1957	all	
Set (inner)		SET6
Set (outer)		SET2
1956	Clipper Series	
Set (inner)		SET6
Set (outer)		SET2
1956-1955	Caribbean, Patrician	
Cone/Cup (inner)		14130-14276[2]
Cone/Cup (outer)		12580-12520[2]
1955-1954	Clipper Series	
Cone/Cup (inner)		15123-15245[2]
Cone/Cup (outer)		09067-09195[2]
1954	Cavalier, Convertible, Pacific, Patrician	
Cone/Cup (inner)		14130-14276[2]
Cone/Cup (outer)		12580-12520[2]
1953	Clipper Series	
Cone/Cup (inner)		14130-14276[2]
Cone/Cup (outer)		12580-12520[2]
1952-1951	2400 & 2500 Series	
Cone/Cup (inner)		14130-14276[2]
Cone/Cup (outer)		12580-12520[2]
1950-1942	6 Clipper, 8 Clipper, 8 Deluxe Clipper, 2200, 2201, 2201	
Cone/Cup (inner)		14130-14276[2]
Cone/Cup (outer)		12580-12520[2]
1950-1942	2211, 2232, 2240, 2301, 2302, 2320, 2332, 2372	
Cone/Cup (inner)		14130-14276[2]
Cone/Cup (outer)		12580-12520[2]
1941	6, 110, 1900	
Cone/Cup (inner)		14130-14276[2]
Cone/Cup (outer)		09074-09195[2]

REAR WHEEL

1958-1957	all	
Cone/Cup		14132T-14276[2]
1956	Clipper Series	
Bearing		514003P[2]

REAR WHEEL (cont.)

1956	Patrician Series	
Bearing		514003P[2]
1956	Caribbean Series	
Bearing		514003P[2]
1955-1954	Clipper Series	
Cone/Cup		25877-25821[2]
1952-1951	2400 & 2500 Series	
Cone/Cup		25877-25821[2]
1950-1942	2232, 2240, 2301, 2302, 2320, 2332, 2372	
Cone/Cup		25877-25821[2]
1941	6, 110, 1900	
Cone/Cup		25877-25821[2]

REAR AXLE

Differential

1958-1957	Dana/Spicer 44 axle	
Cone/Cup		25577-25523[2]

Pinion

1958-1957	Dana/Spicer 44 axle	
Cone/Cup (inner)		31594-31520
Seal (outer)		5778
Cone/Cup (outer)		02872-02820

CLUTCH

Release Bearing

1958-1957		
Bearing Only		1752SC
1950-1942	6, 8 Clipper	
Bearing Only		1755C
1950-1942	Deluxe Clipper	
Bearing Only		1755C
1941		
Bearing Only		2065C

Bearings and Seals

Mfg./Year Model & Location Part No Mfg./Year Model & Location Part No

PANHARD

FRONT WHEEL

1962-1954

Bearing (inner) 207[2]
 Bearing (outer) 208[2]

REAR WHEEL

1962-1954

Bearing (inner) 306TB[2]
 Bearing (outer) 208[2]

PAYCAN

FRONT WHEEL

1989-1970

Set (inner) SET4
 Set (outer) SET2

PEUGEOT

FRONT WHEEL

1989 405

Bearing 513073[2]

1989-1980 505: exc. 2.8 engine

Seal (inner) 224520[2]
 Set (inner) SET33
 Bearing Assy (outer) 32005X[2]

1987-1977 604

Seal (inner) 224520[2]
 Set (inner) SET33
 Bearing Assy (outer) 32005X[2]

1982-1970 504

Seal (inner) 224520[2]
 Set (inner) SET33
 Bearing Assy (outer) 32005X[2]

REAR WHEEL

1989 405: non-ABS brakes

Hub Assy 512017[2]

1989-1982 505 Sedan

Seal (inner) 225460[2]
 Bearing (inner) 513151[2]
 Seal (outer) 557008XX[2]

1984-1981 604

Seal (inner) 225460[2]
 Bearing (inner) 513151[2]
 Seal (outer) 557008XX[2]

1982-1970 504 Wagon exc. V6 engine

Seal 1178S[2]
 Bearing 308WB[2]

1982-1969 504 Sedan: solid axle

Seal (inner) 225420[2]
 Bearing (inner) 511005[2]
 Seal (outer) 225500[2]

1981 505 Sedan: production thru chassis #1214586

Seal (inner) 225460[2]
 Bearing (inner) 511005[2]
 Seal (outer) 557008XX[2]

REAR WHEEL (cont.)

1981 505 Sedan: production from chassis #1214587 on

Seal (inner) 225460[2]
 Bearing (inner) 513151[2]
 Seal (outer) 557008XX[2]

1980 505 Sedan

Seal (inner) 225420[2]
 Bearing (inner) 511005[2]
 Seal (outer) 557008XX[2]

1980 604

Seal (inner) 225420[2]
 Bearing (inner) 511005[2]
 Seal (outer) 557008XX[2]

1979-1977 604

Seal (inner) 225420[2]
 Bearing (inner) 510005[2]
 Seal (outer) 225500[2]

1972-1971 304

Seal (inner) 224010[2]
 Bearing Assy (inner) 30205M[2]
 Bearing Assy (outer) 30204M[2]

1970-1964 404 Sedan

Seal 224520[2]
 Bearing 207[2]

1970-1964 404 Wagon

Bearing 308WB[2]

1967-1955 403 Sedan

Seal 224520[2]
 Bearing 207[2]

1967-1955 403 Wagon

Bearing 308WB[2]

REAR AXLE

Differential

1989-1980 504, 505, 604

Set SET37

PEUGEOT (cont.)

REAR AXLE

Pinion

1988-1970	504, 505, 604	
	Cone/Cup (inner)	HM89449-HM89410
	Seal (outer)	1012N
	Cone/Cup (outer)	M88048-M88010
1975-1965	404L, U6, U8, U10	
	Cone/Cup (inner)	HM89449-HM89410
	Seal (outer)	1012N
	Cone/Cup (outer)	M88048-M88010

CLUTCH

Pilot Bearing

1989-1985	4-cylinder: 2.5 turbo diesel	
	Bearing	103CC
1989-1970	4-cylinder: non-turbo: gas	
	Bushing	PB38
1989-1970	4-cylinder: turbo: gas	
	Bearing	103CC
1989-1970	4-cylinder: non-turbo: diesel	
	Bushing	PB38
1989-1970	4-cylinder: 2.2 turbo diesel	
	Bushing	PB38
1988-1977	6-cylinder	
	Bearing	203FF

Release Bearing

1988-1980	505: exc. turbo	
	Bearing Assy	614129
1987-1977	604	
	Bearing Assy	614129
1982-1970	504	
	Bearing Assy	614129
1970-1968	404/8	
	Bearing Assy	614129

ALTERNATOR

1989-1982	Motorola 70 amp	
	Bearing (drive end)	203FF
	Bearing (rear end)	200CC
1985-1971	Bosch	
	Bearing (drive end)	203FF
	Bearing (rear end)	201CC
1985-1969	Paris-Rhone 50 amp	
	Bearing (drive end)	203FF
	Bearing (rear end)	201CC
1985-1969	Paris-Rhone 70 amp	
	Bearing (drive end)	203FF
	Bearing (rear end)	201CC
1985-1969	Paris-Rhone 75 amp	
	Bearing (drive end)	203FF
	Bearing (rear end)	201CC
1972-1969	Marchal	
	Bearing (drive end)	203FF
	Bearing (rear end)	200CC

GENERATOR

1967-1955	Ducellier	
	Bearing	203AB[2]

PLYMOUTH - FRONT DRIVE - Acclaim, Caravelle, Reliant, Sundance

FRONT WHEEL

1989-1984	Reliant Caravelle Acclaim Sundance (5 stud hub)	
	Seal	5604[2] ⁵⁶
	Bearing	513006[2]
	Hub Assy	518502[2] ⁶²
1989-1984	Reliant Caravelle Acclaim Sundance (4 stud hub)	
	Seal	5604[2] ⁵⁶
	Bearing	513006[2]
	Hub Assy	518501[2] ⁶²
1983-1980		
	Seal	5604[2] ⁵⁶
	Bearing	B39[2]
	Hub Assy	518500[2] ⁶²

REAR WHEEL

1989-1983		
	Seal (inner)	4099[2]
	Set (inner)	SET46
	Set (outer)	SET16

REAR WHEEL (cont.)

1982-1978		
	Seal (inner)	3677[2]
	Set (inner)	SET4
	Set (outer)	SET2

CLUTCH

Release Bearing

1989-1986	4-cylinder	
	Bearing Assy	614066
1985-1984	4-cylinder: 1.6, 2.2, 2.2 turbo	
	Bearing Assy	614007
1983-1981	4-cylinder: A460 transaxle	
	Bearing Assy	614007
1983-1978	4-cylinder: A412 VW transaxle	
	Cyl. Bearing	6408

[] Indicates Quantity Required; Set Components Listed Inside Rear Cover;

⁵⁶ Opt. Kit incl: Seal 3948 & Sleeve

⁶² Kit incl: Hub & Bearing, Seal, Mounting Bolts

Bearings and Seals

Mfg./Year Model & Location Part No Mfg./Year Model & Location Part No

PLYMOUTH - FRONT DRIVE - Acclaim, Caravelle, Reliant, Sundance (cont.)

3-SPEED AUTOMATIC TRANSAXLE

Torque Converter

1989-1980
 Seal 331228H
 Kwik Slv (Opt Rpr) KWK99149

Transfer Shaft

1989-1980 A404, A413, A470, A670, 31TH
 Set SET11[2]

Output Shaft

1989-1980 A404, A413, A470, A670
 Set SET17[2]

Differential

1989-1980 A404, A413, A470, A670, 31TH
 Seal 3459S[2]
 Set SET11[2]
 Kwik Slv (Opt Rpr) KWK99157[2]

Selector Shaft Seal/Man. Shaft

1989-1980 A404, A413, A470, A670, 31TH
 Seal 8609

4-SPEED AUTOMATIC TRANSAXLE

Differential

1989 A604, 41TE
 Seal 3459S[2]
 Set SET11[2]
 Kwik Slv (Opt Rpr) KWK99157[2]

Torque Converter

1989 A604, 41TE
 Seal 331228H
 Kwik Slv (Opt Rpr) KWK99149

Transfer Shaft

1989 A604
 Set SET11[2]

Output Shaft

1989 A604
 Set SET17[2]

Selector Shaft Seal/Man. Shaft

1989 A604, 41TE
 Seal 8609

4-SPEED MANUAL TRANSAXLE

Differential

1986-1981 A460
 Seal 3459S[2]
 Set SET11[2]
 Kwik Slv (Opt Rpr) KWK99157[2]
1983-1980 A412
 Cone/Cup LM29749-LM29710[2]

Input Shaft

1986-1981 A460
 Seal (front) 3732S
 Set (front) SET4
 Kwik Slv (Opt Rpr) KWK99106
 Set (rear) SET5
1983-1980 A412
 Seal 222240
 Kwik Slv (Opt Rpr) KWK99085

Intermediate Shaft

1986-1981 A460
 Cyl. Bearing (front) 5707

Mainshaft

1983-1980 A412
 Set (RH) SET8

Output Shaft

1983-1980 A412
 Seal 474288[2]
 Kwik Slv (Opt Rpr) KWK99146[2]

Selector Shaft Seal/Man. Shaft

1986-1981 A460
 Seal 3816
1983-1980 A412
 Seal 221820

5-SPEED MANUAL TRANSAXLE

Differential

1989-1981 A465, A520, A523, A525, A543,
 A555, A568
 Seal 3459S[2]
 Set SET11[2]
 Kwik Slv (Opt Rpr) KWK99157[2]

Input Shaft

1989-1981 A465, A520, A523, A525, A543,
 A555, A568
 Seal (front) 3732S
 Set (front) SET4
 Kwik Slv (Opt Rpr) KWK99106
 Set (rear) SET5

Intermediate Shaft

1986-1981 A465
 Cyl. Bearing (front) 5707

Selector Shaft Seal/Man. Shaft

1989-1981 A465, A520, A523, A525, A543,
 A555, A568
 Seal 3816

Mfg./Year Model & Location Part No Mfg./Year Model & Location Part No

PLYMOUTH - FRONT DRIVE - Acclaim, Caravelle, Reliant, Sundance (cont.)

CAMSHAFT SEAL

4 Cylinder

1989	135/2.2L, 153/2.5L	
Seal	3655S
Kwik Slv (Opt Rpr)	KWK99139
1988-1986	153/2.5L	
Seal	3655S
Kwik Slv (Opt Rpr)	KWK99139

6 Cylinder

1989	181/3.0L	
Seal	3771[2]
Kwik Slv (Opt Rpr)	KWK99139[2]

CRANKSHAFT REAR SEAL

4 Cylinder

1989-1981	135/2.2L, 153/2.5L	
Seal Viton	710056
Seal PTFE H/D	5279

CRANKSHAFT REAR SEAL

6 Cylinder

1989	181/3.0L	
Seal Viton	710056
Seal PTFE H/D	5279

TIMING COVER

4 Cylinder

1989	135/2.2L, 153/2.5L	
Seal	3638
Kwik Slv (Opt Rpr)	KWK99112
1988-1981	135/2.2L, 153/2.5L	
Seal	3655S
Kwik Slv (Opt Rpr)	KWK99139

6 Cylinder

1989	181/3.0L	
Seal	223750

PLYMOUTH - FRONT DRIVE - Horizon, Scamp, TC3, Turismo

FRONT WHEEL

1989-1979		
Seal	5604[2] ⁵⁶
Bearing	B39[2]
Hub Assy	518500[2] ⁶²
1978	Horizon: early 1978: 2.835" OD bearing	
Bearing	B34[2]
1978	Horizon: late 1978	
Seal	5604[2] ⁵⁶
Bearing	B39[2]
Hub Assy	518500[2] ⁶²

REAR WHEEL

1989-1983		
Seal (inner)	4099[2]
Set (inner)	SET46
Set (outer)	SET16
1982-1978		
Seal (inner)	3677[2]
Set (inner)	SET4
Set (outer)	SET2

CLUTCH

Pilot Bearing

1983-1978	4-cylinder: 1.7 VW engines	
Bushing	PB23

Release Bearing

1989-1986	4-cylinder	
Bearing Assy	614066
1985-1981	4-cylinder: 1.6, 2.2, 2.2 turbo	
Bearing Assy	614007
1983-1981	4-cylinder: A460 transaxle	
Bearing Assy	614007

CLUTCH (cont.)

Release Bearing (cont.)

1983-1978	4-cylinder: A412 VW transaxle	
Cyl. Bearing	6408

3-SPEED AUTOMATIC TRANSAXLE

Torque Converter

1989-1978		
Seal	331228H
Kwik Slv (Opt Rpr)	KWK99149

Transfer Shaft

1989-1978	A404, A413, A470, A670, 31TH	
Set	SET11[2]

Output Shaft

1989-1978	A404, A413, A470, A670	
Set	SET17[2]

Differential

1989-1978	A404, A413, A470, A670, 31TH	
Seal	3459S[2]
Set	SET11[2]
Kwik Slv (Opt Rpr)	KWK99157[2]

Selector Shaft Seal/Man. Shaft

1989-1978	A404, A413, A470, A670, 31TH	
Seal	8609

[] Indicates Quantity Required; Set Components Listed Inside Rear Cover;

⁵⁶ Opt. Kit incl: Seal 3948 & Sleeve

⁶² Kit incl: Hub & Bearing, Seal, Mounting Bolts

Bearings and Seals

Mfg./Year Model & Location Part No Mfg./Year Model & Location Part No

PLYMOUTH - FRONT DRIVE - Horizon, Scamp, TC3, Turismo (cont.)

4-SPEED MANUAL TRANSAXLE

Differential

1983-1978 A412
Cone/Cup LM29749-LM29710[2]

Input Shaft

1983-1978 A412
Seal 222240
Kwik Slv (Opt Rpr) KWK99085

Output Shaft

1983-1978 A412
Seal 474288[2]
Kwik Slv (Opt Rpr) KWK99146[2]

Selector Shaft Seal/Man. Shaft

1983-1978 A412
Seal 221820

5-SPEED MANUAL TRANSAXLE

Differential

1989-1981
Seal 3459S[2]
Set SET11[2]
Kwik Slv (Opt Rpr) KWK99157[2]

Input Shaft

1989-1981
Seal (front) 3732S
Set (front) SET4
Kwik Slv (Opt Rpr) KWK99106
Set (rear) SET5

5-SPEED MANUAL TRANSAXLE

Selector Shaft Seal/Man. Shaft

1989-1981
Seal 3816

CAMSHAFT SEAL

4 Cylinder

1989-1981 135/2.2L
Seal (front) 3655S
Kwik Slv (Opt Rpr) KWK99139

CRANKSHAFT REAR SEAL

4 Cylinder

1989-1981 135/2.2L
Seal Viton 710056
Seal PTFE H/D Opt. 5279

TIMING COVER

4 Cylinder

1989 135/2.2L
Seal 3638
Kwik Slv (Opt Rpr) KWK99112
1988-1981 135/2.2L
Seal 3655S
Kwik Slv (Opt Rpr) KWK99139

PLYMOUTH - REAR DRIVE - Barracuda, Duster, Valiant, Volare

FRONT WHEEL

1980-1973 disc brakes
Seal (inner) 5121[2]
Set (inner) SET17
Set (outer) SET2
1977-1973 drum brakes
Seal (inner) 6815[2]
Set (inner) SET17
Set (outer) SET2
1972-1970 11" brakes
Seal (inner) 8121S[2]
Set (inner) SET6
Set (outer) SET2
1972-1965 10" brakes
Seal (inner) 6840S[2]
Set (inner) SET6
Set (outer) SET2
1972-1960 9" brakes
Seal (inner) 41257[2]
Set (inner) SET4
Set (outer) SET1

REAR WHEEL

1980-1973 7.25" ring gear: 10" brakes
Seal 8660S[2]
Bearing RWC35YYR[2]
1980-1973 8.25" ring gear
Seal 8835S[2]
Cyl. Bearing 6408[2]
Kit TRP1559TV[2]¹⁹
1976-1973 7.25" ring gear: 9" brakes
Seal 5124[2]
Bearing RWF34R[2]
1974-1972 6-cylinder Barracuda
Seal (outer) 8704S[2]
Set (outer) SET7
Seal (inner) 8695S[2]
Acc. Pkg (RH) (kit) A7RK⁴⁶
Acc. Pkg (LH) (kit) A7LK⁴⁶

452 [] Indicates Quantity Required; Set Components Listed Inside Rear Cover;

¹⁹ Opt. Axle Repair Bearing. Replaces O.E. bearing & seal. ⁴⁶ Opt. Kit incl: Metal & Foam gskt, Retainer, 8695S, 8704S

PLYMOUTH - REAR DRIVE - Barracuda, Duster, Valiant, Volare (cont.)

REAR WHEEL (cont.)

1974-1966	8-cylinder exc. 426, 440 engine, 8.25" ring gear	
Seal (outer)	8704S[2]
Seal (inner)	8695S[2]
Acc. Pkg (LH) (kit)	A7LK ⁴⁶
Acc. Pkg (RH) (kit)	A7RK ⁴⁶
Set	SET7[2]
1972-1970	6-cylinder exc. Barracuda	
Seal	484058[2]
Bearing	RWF34R[2]
1972-1966	8-cylinder 426, 440 engine	
Seal (outer)	8704S[2]
Set	SET7[2]
Seal (inner)	8695S[2]
Acc. Pkg (RH)	A7RK ⁴⁶
Acc. Pkg (LH)	A7LK ⁴⁶
1971-1970	6-cylinder Barracuda	
Seal	8660S[2]
Bearing	RWC35YYR[2]
1969-1966	6-cylinder	
Seal	484058[2]
Bearing	RWF34R[2]
1965-1963		
Seal	484058[2]
Bearing	RWF34R[2]

REAR AXLE

Differential Rebuild Kit

1974-1968	8.75" ring gear: 1.875" pinion shaft	
Kit	DRK301
1972-1967	Dana/Spicer 60 axle	
Kit	DRK331
1968-1965	8.75" ring gear: 1.75" pinion shaft	
Kit	DRK300

Differential

1988-1975	8.25" ring gear from early 1975	
Set	SET36
1980-1966	7.25" ring gear	
Set	SET45
1975-1973	8.25" ring gear to early 1975	
Set	SET47
1974-1969	8.75" ring gear	
Cone/Cup	LM104949-LM104912[2]
1972-1968	9.75" ring gear	
Cone/Cup	387A-382S[2]
1966-1960		
Set	SET45

Pinion

1980-1973	8.25" ring gear	
Cone/Cup (inner)	M802048-M802011
Seal (outer)	8516N
Cone/Cup (outer)	M86649-M86610
1980-1968	7.25" ring gear	
Cone/Cup (inner)	HM88649-HM88610
Seal (outer)	8516N
Cone/Cup (outer)	M86649-M86610

REAR AXLE (cont.)

Pinion (cont.)

1974-1970	8.75" ring gear: 1.375" shaft	
Cone/Cup (inner)	HM89446-HM89410
Seal (outer)	5126
Cone/Cup (outer)	M88048-M88010
1974-1970	8.75" ring gear: 1.875" shaft	
Cone/Cup (inner)	HM89446-HM89410
Seal (outer)	5126
Cone/Cup (outer)	M88048-M88010
1974-1970	8.75" ring gear: 1.3125" shaft	
Cone/Cup (inner)	HM89446-HM89410
Seal (outer)	5126
Cone/Cup (outer)	M88048-M88010
1972-1968	9.75" ring gear	
Cone/Cup (inner)	HM803146-HM803110
Seal (outer)	6808N
Cone/Cup (outer)	HM88542-HM88510
1969-1966	8.75" ring gear: 1.375" shaft	
Cone/Cup (inner)	HM89446-HM89410
Seal (outer)	8515N
Cone/Cup (outer)	M88048-M88010
1969-1966	8.75" ring gear: 1.875" shaft	
Cone/Cup (inner)	HM89446-HM89410
Seal (outer)	8515N
Cone/Cup (outer)	M88048-M88010
1969-1966	8.75" ring gear: 1.3125" shaft	
Cone/Cup (inner)	HM89446-HM89410
Seal (outer)	8515N
Cone/Cup (outer)	M88048-M88010
1965-1960		
Cone/Cup (inner)	HM88649-HM88610
Seal (outer)	8516N
Cone/Cup (outer)	M86649-M86610

AUTOMATIC TRANSMISSION

Torque Converter

1961-1955	Power-flite: 2-speed	
Seal	6879H
Kwik Slv (Opt Rpr)	KWK99212

Rear Seal/Ext. Housing

1961	Power-flite: 2-speed	
Seal	8160S
Bearing	2061
1960-1955	Power-flite: 2-speed	
Seal	8160S
Bearing	206WB

Selector Shaft Seal/Man. Shaft

1961-1955	Power-flite: 2-speed	
Seal	470018
Kwik Slv (Opt Rpr)	KWK99062

3-SPEED AUTOMATIC TRANSMISSION

Torque Converter

1980-1966	A727	
Seal	331227H
Kwik Slv (Opt Rpr)	KWK99187

[] Indicates Quantity Required; Set Components Listed Inside Rear Cover;

⁴⁶ Opt. Kit incl: Metal & Foam gskt, Retainer, 8695S, 8704S

Bearings and Seals

Mfg./Year Model & Location Part No Mfg./Year Model & Location Part No

PLYMOUTH - REAR DRIVE - Barracuda, Duster, Valiant, Volare (cont.)

3-SPEED AUTOMATIC TRANSMISSION (cont.)

Torque Converter (cont.)

1980-1965	A904	
Seal	331228H
Kwik Slv (Opt Rpr)	KWK99149
1964-1962	A727	
Seal	331227H
Kwik Slv (Opt Rpr)	KWK99187
1961-1960	Torque-Flite	
Seal	6879H
Kwik Slv (Opt Rpr)	KWK99212

Rear Seal/Ext. Housing

1980-1973	A904	
Seal	2506
Bearing	206LOE ³⁸
1980-1962	A727: 1-pc driveshaft	
Seal	7300S
Bearing	207XLO
Seal Kit	5206 ⁶⁴
1979-1962	A727: 2-pc driveshaft	
Seal	8160S
Bearing	2061
1972-1965	A904	
Seal	8935S
Bearing	206LOE ³⁸
1961-1960	Torque-Flite	
Seal	330663
Bearing	2061

Selector Shaft Seal/Man. Shaft

1980-1965	A904	
Seal	8609

CLUTCH

Release Bearing

1978-1960	exc. 426, 440 engines	
Bearing Assy	614036
1973-1967	426, 440 engines: exc. 1967-1971: 426 engine with 11" clutch	
Bearing Only	DP1625C
1971-1966	426 engine: 11" clutch	
Bearing Only	PO1666C ²⁰

3-SPEED MANUAL TRANSMISSION

Front Input Shaft

1980	A230 New Process: 20-spline	
Seal	9376
Bearing	308LOE
1980	A230 New Process: 18-spline	
Seal	9376
Bearing	307LOI
1979-1974	A230 New Process	
Seal	9376
Bearing	1307L

3-SPEED MANUAL TRANSMISSION (cont.)

Front Input Shaft (cont.)

1979-1966	A745 New Process: 10-spline shaft	
Seal	353135
Bearing	307LI
Kwik Slv (Opt Rpr)	KWK99125
1976-1975	Tremac	
Seal	482208
Bearing	208LO
Kwik Slv (Opt Rpr)	KWK99112
1974-1973	A250 New Process	
Seal	9376
Bearing	N307LOE
1973-1970	A230 New Process	
Seal	9376
Bearing	307LI
1971-1960	A903 New Process	
Seal	9376
Bearing	1207L
1969-1966	A745 New Process: 23-spline shaft	
Seal	9376
Bearing	307LI
1961-1960	T85 Warner	
Seal	353135
Bearing	307L
Kwik Slv (Opt Rpr)	KWK99125

Mainshaft Pilot

1979-1961	New Process A230, A745, A903	
Needle Bearing	QBR23549[15]
1976-1975	Tremec 150T	
Needle Bearing	QBR23549[15]
1974-1973	New Process A250	
Needle Bearing	QBR23549[14]
1961-1960	Warner T85	
Needle Bearing	W1518Q[14]

Countershaft

1979-1966	New Process A230, A745	
Needle Bearing	Q8314[88]
1976-1975	Tremec 150T	
Needle Bearing	C1086Q[50]
1974-1973	New Process A250	
Needle Bearing	C407Q[88]
1974-1961	New Process A903	
Needle Bearing	C1086Q[44]
1961-1960	Warner T85	
Needle Bearing	S443Q[80]

Rear Output Shaft

1980	A230 New Process: 30-spline short shaft	
Seal	7300S
Bearing	308LOE
Seal Kit	5206 ⁶⁴

454 [] Indicates Quantity Required; Set Components Listed Inside Rear Cover;

²⁰ Not currently in production; check for availability ³⁸ Use Old Snap Ring ⁶⁴ Opt. Seal and Bushing Kit

PLYMOUTH - REAR DRIVE - Barracuda, Duster, Valiant, Volare (cont.)

**3-SPEED MANUAL TRANSMISSION
(cont.)**

Rear Output Shaft (cont.)

1980	A230 New Process: 26-spline long shaft	
Seal		2506
Bearing		307LOI
1980	A230 New Process: 23-spline	
Seal		8160S
Bearing		307LOI
1979-1970	A230 New Process: 30-spline short shaft	
Seal		7300S
Bearing		1307
Seal Kit		5206 ⁶⁴
1979-1970	A230 New Process: 23-spline	
Seal		8160S
Bearing		307L
1976-1975	Tremac	
Seal		7300S
Bearing		207L
Seal Kit		5206 ⁶⁴
1974-1973	A250 New Process: 30-spline shaft	
Seal		2506
Bearing		N207XE
1974-1961	A903 New Process	
Seal		8160S
Bearing		1207L
1973	A250 New Process: 26-spline shaft	
Seal		8935S
Bearing		N307LOE
Seal Kit		5207 ⁶⁴
1969-1966	A745 New Process: 26-spline shaft	
Seal		8935S
Bearing		1307
Seal Kit		5207 ⁶⁴
1969-1966	A745 New Process: 30-spline shaft	
Seal		7300S
Bearing		1307
Seal Kit		5206 ⁶⁴
1969-1966	A745 New Process: 23-spline shaft	
Seal		8160S
Bearing		2061
1961-1960	Warner	
Seal		8160S
Bearing		1307

Reverse Idler

1979-1961	New Process A230, A250, A745, A903	
Needle Bearing		C1086Q[22]

**3-SPEED MANUAL TRANSMISSION
Selector Shaft Seal/Man. Shaft**

1980-1961		
Seal		7188S
Kwik Slv (Opt Rpr)		KWK99062

**4-SPEED MANUAL TRANSMISSION
Input Shaft**

1979-1974	A833 New Process: 23-spline shaft	
Seal		9376
Bearing		308LOE
Kwik Slv (Opt Rpr)		KWK99118
1973-1964	A833 New Process: 18-spline shaft	
Seal		9487
Bearing		307L
Kwik Slv (Opt Rpr)		KWK99118

Mainshaft Pilot

1978-1964	New Process A833	
Needle Bearing		QBR23549[16]

Rear Output Shaft

1978-1970	A833 New Process: 26-spline shaft	
Seal		2506
Bearing		307L
1976-1964	A833 New Process: 30-spline shaft	
Seal		7300S
Bearing		308LOE
Seal Kit		5206 ⁶⁴
1969-1966	A833 New Process: 26-spline shaft	
Seal		2506
Bearing		1307
1965-1964	A833 New Process: 26-spline shaft	
Seal		2506
Bearing		307TB
1965-1964	A833 New Process: 23-spline shaft	
Seal		8160S
Bearing		2061

CRANKSHAFT REAR SEAL

6 Cylinder

1980-1963	225/3.7L	
Seal		5650
1974-1960	170/2.8, 198/3.2	
Seal		5576

8 Cylinder

1980-1965		
Seal		5414

[] Indicates Quantity Required; Set Components Listed Inside Rear Cover;
⁶⁴ Opt. Seal and Bushing Kit

Bearings and Seals

Mfg./Year Model & Location Part No Mfg./Year Model & Location Part No

PLYMOUTH - REAR DRIVE - Barracuda, Duster, Valiant, Volare (cont.)

TIMING COVER

6 Cylinder

1980-1960
 Seal 3095
 Kwik Slv (Opt Rpr)KWK99226

TIMING COVER

8 Cylinder

1980-1965
 Seal 3103
 Kwik Slv (Opt Rpr)KWK99218
 Harmonic Balancer
 Sleeves 88218

PLYMOUTH - REAR DRIVE - Belvedere, Caravelle, Fury, Gran Fury, GTX, Roadrunner, Satellite

FRONT WHEEL

1989-1980 Gran Fury
 Seal (inner) 5121[2]
 Set (inner)SET17
 Set (outer)SET2

1978-1975 Fury
 Seal (inner) 5121[2]
 Set (inner)SET17
 Set (outer)SET2

1978-1975 Gran Fury
 Seal (inner) 3087[2]
 Set (inner)SET11
 Set (outer)SET16

1974 exc. Belvedere, Satellite
 Seal (inner) 3087[2]
 Set (inner)SET11
 Set (outer)SET16

1974-1973 Belvedere, Satellite
 Seal (inner) 5121[2]
 Set (inner)SET17
 Set (outer)SET2

1973 exc. Belvedere, Satellite
 Seal (inner) 5121[2]
 Set (inner)SET17
 Set (outer)SET16

1972-1967 10" brakes
 Seal (inner)6840S[2]
 Set (inner)SET6
 Set (outer)SET2

1972-1967 11" brakes
 Seal (inner)8121S[2]
 Set (inner)SET6
 Set (outer)SET2

1966-1962
 Seal (inner)8121S[2]
 Set (inner)SET6
 Set (outer)SET2

1961-1955
 Seal (inner)6840S[2]
 Set (inner)SET6
 Set (outer)SET2

REAR WHEEL (cont.)

1989-1970 8.25" ring gear: straight roller bearing
 Seal 8835S[2]
 Cyl. Bearing 6408[2]
 KitTRP1559TV[2]¹⁹

1983-1981 7.25" ring gear: pressed-on bearing
 Seal 8835S[2]
 BearingRWC35YYR[2]

1978-1973 9.25" ring gear
 Seal 8835S[2]
 Cyl. Bearing 6408[2]
 KitTRP1559TV[2]¹⁹

1974-1966 8.75" ring gear
 Seal (outer) 8704S[2]
 Set (outer)SET7
 Seal (inner)8695S[2]
 Acc. Pkg (LH)A7LK⁴⁶
 Acc. Pkg (RH)A7RK⁴⁶

1972-1966 9.75" ring gear
 Seal (outer) 8704S[2]
 Set (outer)SET7
 Seal (inner)8695S[2]
 Acc. Pkg (LH)A7LK⁴⁶
 Acc. Pkg (RH)A7RK⁴⁶

1971-1970 8.25" ring gear: tapered bearing w/adjusters
 Seal (inner)8695S[2]
 Seal (outer) 8704S[2]
 Set (outer)SET7
 Acc. Pkg (LH)A7LK⁴⁶
 Acc. Pkg (RH)A7RK⁴⁶

1971-1966 7.25" ring gear
 Seal (inner)9342S[2]
 Bearing (inner)RWC35YYR[2]

1970-1969 8.25" ring gear: straight roller bearing
 Seal 8660S[2]
 Cyl. Bearing 5707[2]
 KitTRP1563TAV[2]¹⁹

1968-1966 9.25" ring gear
 Seal (outer) 8704S[2]
 Set (outer)SET7
 Seal (inner)8695S[2]
 Acc. Pkg (LH)A7LK⁴⁶
 Acc. Pkg (RH)A7RK⁴⁶

REAR WHEEL

1989-1982 7.25" ring gear: straight roller bearing
 Seal 8835S[2]
 Cyl. Bearing 6408[2]
 KitTRP1559TV[2]¹⁹

456 [] Indicates Quantity Required; Set Components Listed Inside Rear Cover;

¹⁹ Opt. Axle Repair Bearing. Replaces O.E. bearing & seal. ⁴⁶ Opt. Kit incl: Metal & Foam gskt, Retainer, 8695S, 8704S

PLYMOUTH - REAR DRIVE - Belvedere, Caravelle, Fury, Gran Fury, GTX, Roadrunner, Satellite (cont.)

REAR WHEEL (cont.)

1965		
Seal (outer)	8704S[2]
Set (outer)	SET7
Seal (inner)	8695S[2]
Acc. Pkg (LH)	A7LK ⁴⁶
Acc. Pkg (RH)	A7RK ⁴⁶
1964-1962		
Seal (inner)	450487[2]
Seal (outer)	8133S[2]
Cone/Cup (outer)	25877-25821[2]
1961-1941	exc. P12 7-Passenger	
Seal	6241S[2]
Cone/Cup	25877-25821[2]
1941	P12 7-Passenger	
Cone/Cup	2780-2736[2]

REAR AXLE

Differential Rebuild Kit

1974-1968	8.75" ring gear: 1.875" pinion shaft	
Kit	DRK301
1972-1967	Dana/Spicer 60 axle	
Kit	DRK331
1968-1954	8.75" ring gear: 1.75" pinion shaft	
Kit	DRK300

Differential

1988-1975	8.25" ring gear from early 1975	
Set	SET36[2]
1988-1968	7.25" ring gear	
Set	SET45[2]
1978-1974	9.25" ring gear	
Cone/Cup	JLM704649-JLM704610[2]
1975-1970	8.25" ring gear to early 1975	
Set	SET47[2]
1974-1969	8.75" ring gear	
Cone/Cup	LM104949-LM104912[2]
1972-1967	9.75" ring gear	
Cone/Cup	387A-382S[2]
1969-1968	8.25" ring gear	
Set	SET45[2]
1968-1967	9.25" ring gear	
Cone/Cup	25590-25520[2]
1968-1965	8.75" ring gear	
Cone/Cup	25590-25520[2]
1966-1958	6-cylinder engine exc. Station Wagon and Taxi	
Cone/Cup	25580-25520[2]
1966-1958	Station Wagon and Taxi: 6-cylinder engine	
Cone/Cup	25590-25520[2]
1966-1958	8-cylinder engines	
Cone/Cup	25590-25520[2]
1962-1960	Canadian models with Dual-Trac	
Cone/Cup	HM803149-HM803110[2]
1959-1951	all	
Cone/Cup	HM89446-HM89410[2]

REAR AXLE

Pinion

1988-1966	7.25" ring gear	
Cone/Cup (inner)	HM88649-HM88610
Seal (outer)	8516N
Cone/Cup (outer)	M86649-M86610
1988-1966	8.25" ring gear	
Cone/Cup (inner)	M802048-M802011
Seal (outer)	8516N
Cone/Cup (outer)	M86649-M86610
1978-1973	9.25" ring gear	
Cone/Cup (inner)	M804049-M804010
Seal (outer)	5126
Cone/Cup (outer)	M88048-M88010
1974-1973	8.75" ring gear	
Cone/Cup (inner)	M804049-M804010
Seal (outer)	5126
Cone/Cup (outer)	M88048-M88010
1972-1967	9.75" ring gear	
Cone/Cup (inner)	HM803146-HM803110
Seal (outer)	6808N
Cone/Cup (outer)	HM88542-HM88510
1972-1966	8.75" ring gear: 1.375" shaft	
Cone/Cup (inner)	HM89446-HM89410
Seal (outer)	8515N
Cone/Cup (outer)	M88048-M88010
1972-1966	8.75" ring gear: 1.75" shaft	
Cone/Cup (inner)	HM803149-HM803110
Seal (outer)	7216
Cone/Cup (outer)	HM89443-HM89410
1972-1966	8.75" ring gear: 1.875" shaft	
Cone/Cup (inner)	M804049-M804010
Seal (outer)	8515N
Cone/Cup (outer)	M88048-M88010
1968-1967	9.25" ring gear	
Cone/Cup (inner)	3877-3820
Seal (outer)	6808N
Cone/Cup (outer)	HM88542-HM88510
1965-1963	1.375" axle shaft	
Cone/Cup (inner)	HM89446-HM89410
Seal (outer)	5126
Cone/Cup (outer)	M88048-M88010
1965-1963	1.75" axle shaft	
Cone/Cup (inner)	HM803149-HM803110
Seal (outer)	7216
Cone/Cup (outer)	HM89443-HM89410
1962-1960	all	
Cone/Cup (inner)	HM89446-HM89410
Seal (outer)	5126
Cone/Cup (outer)	M88048-M88010
1962-1960	Canadian models exc. Dual Trac	
Cone/Cup (inner)	HM89446-HM89410
Seal (outer)	5126
Cone/Cup (outer)	M88048-M88010
1962-1960	Canadian models with Dual Trac	
Cone/Cup (inner)	HM803149-HM803110
Seal (outer)	7216
Cone/Cup (outer)	HM89443-HM89410

[] Indicates Quantity Required; Set Components Listed Inside Rear Cover;

⁴⁶ Opt. Kit incl: Metal & Foam gskt, Retainer, 8695S, 8704S

Bearings and Seals

Mfg./Year Model & Location Part No Mfg./Year Model & Location Part No

PLYMOUTH - REAR DRIVE - Belvedere, Caravelle, Fury, Gran Fury, GTX, Roadrunner, Satellite (cont.)

REAR AXLE (cont.)

Pinion (cont.)

1959	Canadian models: early 1959
Cone/Cup (inner)	HM89446-HM89410
Seal (outer)	7216
Cone/Cup (outer)	HM89443-HM89410
1959	Canadian models: late 1959
Cone/Cup (inner)	HM89446-HM89410
Seal (outer)	5126
Cone/Cup (outer)	M88048-M88010
1959-1958	exc. 350 engine
Cone/Cup (inner)	HM89446-HM89410
Seal (outer)	5129
Cone/Cup (outer)	M88048-M88010
1959-1958	350 engine
Cone/Cup (inner)	HM89446-HM89410
Seal (outer)	7216
Cone/Cup (outer)	M88048-M88010
1958	Canadian models exc. Dual Trac
Cone/Cup (inner)	HM89446-HM89410
Cone/Cup (outer)	HM89443-HM89410
1958	Canadian models with Dual Trac: early 1958
Cone/Cup (inner)	HM89446-HM89410
Seal (outer)	5126
Cone/Cup (outer)	M88048-M88010
1958	Canadian models with Dual Trac: late 1958
Cone/Cup (inner)	HM89446-HM89410
Seal (outer)	7216
Cone/Cup (outer)	HM89443-HM89410
1958-1957	production from 6/1957 on
Cone/Cup (inner)	HM89446-HM89410
Seal (outer)	5126
Cone/Cup (outer)	M88048-M88010
1957-1950	production thru 6/1957
Cone/Cup (inner)	HM89446-HM89410
Cone/Cup (outer)	HM89443-HM89410

AUTOMATIC TRANSMISSION

Torque Converter

1961-1955	Power-flite: 2-speed
Seal	6879H
Kwik Slv (Opt Rpr)	KWK99212

Rear Seal/Ext. Housing

1961	Power-flite: 2-speed
Seal	8160S
Bearing	2061
1960-1955	Power-flite: 2-speed
Seal	8160S
Bearing	206WB

Selector Shaft Seal/Man. Shaft

1961-1955	Power-flite: 2-speed
Seal	470018
Kwik Slv (Opt Rpr)	KWK99062

3-SPEED AUTOMATIC TRANSMISSION

Torque Converter

1989-1965	A904, A999
Seal	331228H
Kwik Slv (Opt Rpr)	KWK99149
1989-1962	A727
Seal	331227H
Kwik Slv (Opt Rpr)	KWK99187
1961-1957	Torque-Flite
Seal	6879H
Kwik Slv (Opt Rpr)	KWK99212

Rear Seal/Ext. Housing

1989-1973	A904, A999
Seal	2506
Bearing	206LOE ³⁸
1989-1962	A727: 1-pc driveshaft
Seal	7300S
Bearing	207XLO
Seal Kit	5206 ⁶⁴
1978-1962	A727: 2-pc driveshaft
Seal	8160S
Bearing	2061
1972-1965	A904
Seal	8935S
Bearing	206LOE ³⁸
1957-1960	Torque-Flite
Seal	330663
Bearing	2061

Clutch Cam

1979-1962	A727
Needle Bearing	W585Q[12]

Selector Shaft Seal/Man. Shaft

1989-1965	A904
Seal	8609

CLUTCH

Release Bearing

1978-1974	
Bearing Assy	614036
1977-1968	11" clutch: exc. 426, 440 engines
Bearing Assy	614036
1973-1967	11" clutch: 440 engine
Bearing Only	DP1625C
1973-1965	exc. 11" clutch
Bearing Assy	614036
1972-1966	11" clutch: 426 engine
Bearing Only	PO1666C ²⁰
1970-1968	11" clutch: 6-cylinder engines
Bearing Only	PA1505C
1967-1966	11" clutch: exc. 426, 440 engines
Bearing Only	PA1505C
1965	11" clutch
Bearing Only	PA1505C
1964	6-cylinder: exc. 11" clutch
Bearing Assy	614036

458 [] Indicates Quantity Required; Set Components Listed Inside Rear Cover;

²⁰ Not currently in production; check for availability ³⁸ Use Old Snap Ring ⁶⁴ Opt. Seal and Bushing Kit

PLYMOUTH - REAR DRIVE - Belvedere, Caravelle, Fury, Gran Fury, GTX, Roadrunner, Satellite (cont.)

CLUTCH (cont.)

Release Bearing (cont.)

1964	8-cylinder	
	Bearing Assy	614036
1963-1962		
	Bearing Assy	614036
1961-1960	6-cylinder	
	Bearing Only	D1505C
1961-1960	6-cylinder: 11" clutch	
	Bearing Only	PA1505C
1956-1942		
	Bearing Only	P1605C ²⁰

3-SPEED MANUAL TRANSMISSION

Front Input Shaft

1978-1974	A230 New Process	
	Seal	9376
	Bearing	1307L
1973-1970	A230 New Process	
	Seal	9376
	Bearing	307LI
1972-1955	A903 New Process	
	Seal	9376
	Bearing	1207L
1969-1961	A745 New Process: 10-spline shaft	
	Seal	353135
	Bearing	307LI
	Kwik Slv (Opt Rpr)	KWK99125
1969-1961	A745 New Process: 23-spline shaft	
	Seal	9376
	Bearing	307LI
1962-1960	T85 Warner	
	Seal	353135
	Bearing	307L
	Kwik Slv (Opt Rpr)	KWK99125

Mainshaft Pilot

1978-1970	New Process A230	
	Needle Bearing	QBR23549[15]
1964-1957	New Process A745, A903	
	Needle Bearing	QBR23549[15]
1962-1960	Warner T85	
	Needle Bearing	W1518Q[14]

Countershaft

1978-1970	New Process A230	
	Needle Bearing	Q8314[88]
1964-1961	New Process A745	
	Needle Bearing	Q8314[88]
1963-1957	New Process A903	
	Needle Bearing	C1086Q[44]
1962-1960	Warner T85	
	Needle Bearing	S443Q[80]

3-SPEED MANUAL TRANSMISSION

Rear Output Shaft

1978-1970	A230 New Process: 30-spline short shaft	
	Seal	7300S
	Bearing	1307
	Seal Kit	5206 ⁶⁴
1978-1970	A230 New Process: 23-spline	
	Seal	8160S
	Bearing	307L
1972-1955	A903 New Process	
	Seal	8160S
	Bearing	1207L
1969-1966	A745 New Process: 26-spline shaft	
	Seal	8935S
	Bearing	1307
	Seal Kit	5207 ⁶⁴
1969-1961	A745 New Process: 30-spline shaft	
	Seal	7300S
	Bearing	1307
	Seal Kit	5206 ⁶⁴
1969-1961	A745 New Process: 23-spline shaft	
	Seal	8160S
	Bearing	2061
1962-1960	Warner	
	Seal	8160S
	Bearing	1307

Reverse Idler

1978-1970	New Process A230	
	Needle Bearing	C1086Q[22]
1964-1957	New Process A745, A903	
	Needle Bearing	C1086Q[22]

Selector Shaft Seal/Man. Shaft

1978-1955		
	Seal	7188S
	Kwik Slv (Opt Rpr)	KWK99062

4-SPEED MANUAL TRANSMISSION

Input Shaft

1974	A833 New Process: 23-spline shaft	
	Seal	9376
	Bearing	308LOE
	Kwik Slv (Opt Rpr)	KWK99106
1973-1964	A833 New Process: 18-spline shaft	
	Seal	9487
	Bearing	307L
	Kwik Slv (Opt Rpr)	KWK99118
1963	Warner T10	
	Seal	9376
	Bearing	307LI

[] Indicates Quantity Required; Set Components Listed Inside Rear Cover;

²⁰ Not currently in production; check for availability ⁶⁴ Opt. Seal and Bushing Kit

Bearings and Seals

Mfg./Year Model & Location Part No Mfg./Year Model & Location Part No

PLYMOUTH - REAR DRIVE - Belvedere, Caravelle, Fury, Gran Fury, GTX, Roadrunner, Satellite (cont.)

4-SPEED MANUAL TRANSMISSION

Mainshaft Pilot

1974-1964	New Process A833	
	Needle Bearing	QBR23549[16]
1963	Warner T10	
	Needle Bearing	QA19792[14]

Countershaft

1963	Warner T10	
	Needle Bearing	S443Q[80]

Rear Output Shaft

1974-1970	A833 New Process: 26-spline shaft	
	Seal	2506
	Bearing	307L
1974-1964	A833 New Process: 30-spline shaft	
	Seal	7300S
	Bearing	308LOE
	Seal Kit	5206 ⁶⁴
1969-1966	A833 New Process: 26-spline shaft	
	Seal	2506
	Bearing	1307
1965-1964	A833 New Process: 26-spline shaft	
	Seal	2506
	Bearing	307TB
1965-1964	A833 New Process: 23-spline shaft	
	Seal	8160S
	Bearing	2061
1963	Warner T10	
	Seal	8160S
	Bearing	307LI

CRANKSHAFT REAR SEAL

6 Cylinder

1989-1960	225/3.7L	
	Seal	5650
1959-1958	230/3.8L	
	Seal	5576

8 Cylinder

1989-1979	318/5.2L	
	Seal	5414
1978-1969	383/6.3, 426/7.0, 440/7.2, 400/6.6	
	Seal	5576
1978-1955	273/4.5, 227/4.5, 318/5.2, 340/5.6, 360/5.9	
	Seal	5414

TIMING COVER

6 Cylinder

1989-1960	225/3.7L	
	Seal	3095
	Kwik Slv (Opt Rpr)	KWK99226
1959-1958	230/3.8L	
	Seal	6636S
	Kwik Slv (Opt Rpr)	KWK99218
	Harmonic Balancer	
	Sleeves	88218

8 Cylinder

1989-1955		
	Seal	3103
	Kwik Slv (Opt Rpr)	KWK99218
	Harmonic Balancer	
	Sleeves	88218

PLYMOUTH IMPORT - see also MITSUBISHI - Arrow, Champ, Colt, Conquest, Cricket, Lancer, Laser, Sapporo

FRONT WHEEL

1989-1985	Colt	
	Seal	229522[2]
	Set	SET41[2]
1989-1985	Colt Vista AWD	
	Seal (inner)	225082[2]
	Bearing (inner)	513036[2]
	Seal (outer)	225230[2]
1989-1984	Colt Vista	
	Seal	229522[2]
	Set	SET41[2]
1986-1984	Conquest	
	Seal (inner)	494122[2]
	Set (inner)	SET6
	Set (outer)	SET2

FRONT WHEEL (cont.)

1985-1979	Champ	
	Seal	229522[2]
	Cone/Cup	LM29748-LM29710[2]
1984	Colt exc. turbo	
	Seal	229522[2]
	Cone/Cup	LM29748-LM29710[2]
1984	Colt Turbo	
	Seal	229522[2]
	Set	SET41[2]
1984-1978	Sapporo	
	Seal (inner)	494122[2]
	Set (inner)	SET6
	Set (outer)	SET2
1982-1979	Arrow Pickup	
	Seal (inner)	225010[2]
	Set (inner)	SET5
	Set (outer)	SET3

460 [] Indicates Quantity Required; Set Components Listed Inside Rear Cover;

⁶⁴ Opt. Seal and Bushing Kit

PLYMOUTH IMPORT - see also MITSUBISHI - Arrow, Champ, Colt, Conquest, Cricket, Lancer, Laser, Sapporo (cont.)

FRONT WHEEL (cont.)

1980-1978	Lancer (station wagon)	
Seal (inner)	494122[2]
Set (inner)	SET6
Set (outer)	SET2
1980-1978	Lancer (sedan)	
Seal (inner)	1196[2]
Set (inner)	SET4
Set (outer)	SET1
1973-1971	Cricket	
Seal (inner)	1198[2]
Set (inner)	SET4
Set (outer)	SET2

REAR WHEEL

1989-1985	Colt Vista	
Seal (inner)	1196[2]
Set (inner)	SET4
Set (outer)	SET1
1989-1985	Colt Vista AWD	
Seal (inner)	710152[2]
Bearing (inner)	511014[2]
Bearing (outer)	511015[2]
1989	Colt: disc brakes; 2dr	
Seal (inner)	1205N[2]
Bearing Assy	516000[2]
1989	Colt: drum brakes; 2dr	
Seal (inner)	1205N[2]
Bearing Assy	516001[2]
1989	Colt 4dr	
Seal (inner)	1205N[2]
Bearing Assy	513029[2]
1989	Colt Wagon: AWD	
Seal (inner)	1955[2]
1988	Colt	
Seal (inner)	1205N[2]
Bearing Assy	513029[2]
1987-1985	Colt	
Seal (inner)	710338[2]
Bearing Assy	513029[2]
1986-1984	Conquest	
Seal (inner)	224100[2]
Bearing (inner)	206F[2]
Bearing (outer)	207F[2]
1985-1979	Champ	
Seal (inner)	1196[2]
Set (inner)	SET4
Set (outer)	SET1
1984-1978	Sapporo	
Bearing	RW128R[2]
1982-1979	Arrow Pickup	
Seal (inner)	4989[2]
Bearing Assy (inner)	30208M[2]
Seal (outer)	225110[2]
1980-1976	Arrow	
Seal	1955[2]
Bearing	RW128R[2]
1980-1971	Colt: rear drive	
Bearing	RW128R[2]
1973-1971	Cricket	
Bearing	RW109R[2]

REAR AXLE

Differential

1989-1985	Colt Series: AWD	
Seal	710396[2]
Bearing Assy	30207M[2]
Kwik Slv (Opt Rpr)	KWK99139[2]
1989-1985	Laser: AWD	
Seal	710396[2]
Bearing Assy	30207M[2]
Kwik Slv (Opt Rpr)	KWK99139[2]
1986-1984	Conquest 2.6 turbo, Intercooled turbo	
Seal	710335[2]
Cone/Cup	17887-17831[2]
Kwik Slv (Opt Rpr)	KWK99139[2]
1983-1978	Arrow: 2600 engine	
Bearing	207[2]
1983-1978	Sapporo: 2600 engine	
Bearing	207[2]
1980-1974	Arrow: 1600, 2000 engines	
Bearing Assy	30207M[2]

Pinion

1983-1978	Arrow: 2600 engine	
Cone/Cup (inner)	HM89449-HM89410
Seal (outer)	224255
Cone/Cup (outer)	M86649-M86610
Kwik Slv (Opt Rpr)	KWK99169
1983-1978	Sapporo: 2600 engine	
Cone/Cup (inner)	HM89449-HM89410
Seal (outer)	224255
Cone/Cup (outer)	M86649-M86610
Kwik Slv (Opt Rpr)	KWK99169
1982-1979	Arrow Pickup	
Cone/Cup (inner)	HM89449-HM89410
Seal (outer)	224570
Cone/Cup (outer)	M88043-M88010
1980-1978	Sapporo: 1600, 2000 engines	
Bearing Assy (inner)	32207M
Seal (outer)	471847N
Bearing Assy (outer)	30305M
Kwik Slv (Opt Rpr)	KWK99139
1980-1974	Arrow: 1600, 2000 engines	
Bearing Assy (inner)	32207M
Seal (outer)	471847N
Bearing Assy (outer)	30305M
Kwik Slv (Opt Rpr)	KWK99139
1973-1971	Cricket	
Cone/Cup (inner)	M88048-M88010
Seal (outer)	470380
Set (outer)	SET5

3-SPEED AUTOMATIC TRANSMISSION

Torque Converter

1982-1980	A94	
Seal	331228H
Kwik Slv (Opt Rpr)	KWK99149
1979-1976	A904	
Seal	331228H
Kwik Slv (Opt Rpr)	KWK99149

Bearings and Seals

Mfg./Year Model & Location Part No Mfg./Year Model & Location Part No

PLYMOUTH IMPORT - see also MITSUBISHI - Arrow, Champ, Colt, Conquest, Cricket, Lancer, Laser, Sapporo (cont.)

3-SPEED AUTOMATIC TRANSMISSION (cont.)

Torque Converter (cont.)

1973-1971 Borg Warner
Seal 480479H
Kwik Slv (Opt Rpr) KWK99168

Rear Seal/Ext. Housing

1982-1980 A94
Seal 2506
1979-1976 A904
Seal 2506
Bearing 206LOE³⁸
1973-1971 Borg Warner
Seal 1097N

Selector Shaft Seal/Man. Shaft

1982-1980 A94
Seal 8609
1979-1976 A904
Seal 8609
1973-1971 Borg Warner
Seal 311189

4-SPEED AUTOMATIC TRANSMISSION

Torque Converter

1986-1984
Seal Viton 2025
Kwik Slv (Opt Rpr) KWK99166

Rear Seal/Ext. Housing

1986-1984
Seal 223801

CLUTCH

Release Bearing

1989-1983 Colt
Bearing Assy 614126
1989-1984 Colt Vista
Bearing Assy 614126
1988-1985 Conquest Intercooled turbo
Bearing Assy 614053
1988-1984 Conquest: exc. Intercooled
Bearing Assy 614016
1985-1979 Champ
Bearing Assy 614126
1983-1978 Sapporo 2000, 2600
Bearing Assy 614016
1982-1979 Arrow Pickup
Bearing Assy 614016
1982-1968 Colt
Bearing Only 01496
Bearing Assy 614001
1980-1976 Arrow 1600
Bearing Only 01496
Bearing Assy 614001
1980-1976 Arrow 2000, 2600
Bearing Assy 614016

CLUTCH (cont.)

Release Bearing (cont.)

1979-1978 Sapporo 1600
Bearing Only 01496
Bearing Assy 614001
1973-1971 Cricket
Bearing Only 01496
Bearing Assy 614001

4-SPEED MANUAL TRANSMISSION

Input Shaft

1980-1976
Seal Viton 712007
Bearing 307L
Kwik Slv (Opt Rpr) KWK99098

Rear Output Shaft

1980-1976
Seal 223240
Bearing 306L

5-SPEED MANUAL TRANSMISSION

Front Input Shaft

1986-1985 KM132G
Seal 223014
Bearing 307L
Kwik Slv (Opt Rpr) KWK99114
1986-1976 KM132, KM132-B
Seal 223014
Bearing 207L
Kwik Slv (Opt Rpr) KWK99114
1983-1976 KM119
Seal Viton 712007
Bearing 208L
Kwik Slv (Opt Rpr) KWK99098

Countershaft

1986-1985 KM132G
Bearing Assy 30205M[2]
1983-1976 KM119
Bearing (center) 5205KLE
Bearing (rear) 304WB

Rear Output Shaft

1986-1984 KM132B, KM132G
Seal 223608
Bearing 511014
1983-1980 KM132
Seal 223608
Bearing RW122
1983-1976 KM119
Seal 223240
Bearing 205BB

PLYMOUTH IMPORT - see also MITSUBISHI - Arrow, Champ, Colt, Conquest, Cricket, Lancer, Laser, Sapporo (cont.)

5-SPEED MANUAL TRANSMISSION

Selector Shaft Seal/Man. Shaft

1986-1976	
Seal	710222

3-SPEED AUTOMATIC TRANSAXLE

Torque Converter

1989-1979	
Seal	320583
Kwik Slv (Opt Rpr)	KWK99157

Output Shaft

1989-1979	
Seal	223543[2]
Kwik Slv (Opt Rpr)	KWK99139[2]

Differential

1989-1980	exc. KM172-0, KM172-5
Bearing	207[2]
1989-1984	KM172-0, KM172-5
Bearing Assy	30207M[2]
1979	KM170-0
Bearing	207[2]

4-SPEED MANUAL TRANSAXLE

Differential

1989	F4M21-1
Bearing	207[2]
1989-1987	KM200-0
Bearing Assy	30207M[2]
1986-1979	KM160-2, KM161-0
Bearing	207[2]

Input Shaft

1989-1987	F4M21-1, KM200-0
Seal Viton	712007
Kwik Slv (Opt Rpr)	KWK99098
1986-1979	KM160-2, KM161-0
Seal Viton	712007
Bearing	304WB
Kwik Slv (Opt Rpr)	KWK99098

Intermediate Shaft

1986-1985	KM161-0
Bearing	32004WB
1984-1980	KM160-2
Bearing Assy	30304

Countershaft

1989-1987	KM200-0
Bearing (front)	RW122
Bearing (rear)	108A
1986-1985	KM161-0
Bearing	32004WB[2]
1984-1980	KM160-2
Bearing Assy	30304[2]

Mainshaft

1989-1987	KM200-0
Bearing (rear)	108A

Output Shaft

1989-1987	F4M21-1, KM200-0
Seal	223543[2]
Bearing Assy	30206M[2]
Kwik Slv (Opt Rpr)	KWK99139[2]
1986-1979	KM160-2, KM161-0
Seal	223543[2]
Bearing Assy	30304[2]
Kwik Slv (Opt Rpr)	KWK99139[2]

Selector Shaft Seal/Man. Shaft

1989-1979	KM160-2
Seal	710222

5-SPEED MANUAL TRANSAXLE

Differential

1989-1985	KM182-2, F5M22-2, KM182-0, KM206-0, KM221-1
Bearing Assy	30207M[2]
1989-1980	F5M21-1, F5M21-2, W5M31-2, W5M33-2, KM162-0, KM162-0, KM163-0, KM201-0
Bearing	207[2]
1979	KM162-0
Bearing	207[2]

Input Shaft

1989-1985	KM182-2, KM182-0, KM221-1
Seal Viton	712007
Bearing (center)	304WB
Bearing Assy (rear)	30304
Kwik Slv (Opt Rpr)	KWK99098
1989-1987	KM201-0, KM206-0
Seal Viton	712007
Bearing (center)	304WB
Bearing (rear)	108A
Kwik Slv (Opt Rpr)	KWK99098
1987-1979	KM162-0, KM163-0
Seal Viton	712007
Bearing	304WB
Kwik Slv (Opt Rpr)	KWK99098

Countershaft

1989-1985	KM182-0, KM182-2, KM221-1
Bearing Assy	30304[2]
1989-1987	KM201-0, KM206-0
Bearing (front)	RW122
Bearing (rear)	108A
1987-1980	KM162-0, KM163-0
Bearing Assy (front)	32205
Bearing Assy (rear)	30304

Bearings and Seals

Mfg./Year Model & Location Part No Mfg./Year Model & Location Part No

PLYMOUTH IMPORT - see also MITSUBISHI - Arrow, Champ, Colt, Conquest, Cricket, Lancer, Laser, Sapporo (cont.)

5-SPEED MANUAL TRANSAXLE

Intermediate Shaft

1987-1980 KM162-0, KM163-0
 Bearing Assy 30304

Output Shaft

1989-1987 F5M21-1, F5M21-2, F5M22-2,
 KM201-0, KM206-0
 Seal 223543[2]
 Bearing Assy 30206M[2]
 Kwik Slv (Opt Rpr) KWK99139[2]
1989-1980 KM182-2, KM162-0, KM163-0,
 KM221-1, F5M31-2, F5M33-2,
 Seal 223543[2]
 Kwik Slv (Opt Rpr) KWK99139[2]
1979 KM162-0
 Seal 223543[2]
 Bearing Assy 30304[2]
 Kwik Slv (Opt Rpr) KWK99139[2]

Selector Shaft Seal/Man. Shaft

1989-1979 KM162-0
 Seal 710222

Extension Housing

1989-1985 KM182-0, KM182-2, KM221-1
 Seal 223240
 Bearing Assy 30206M[2]
 Kwik Slv (Opt Rpr) KWK99128

DRIVESHAFT SUPPORT

1989-1985 Colt Vista 4x4
 Hanger Bearing Assy HB25

CAMSHAFT SEAL

4 Cylinder

1989-1979 1410cc/1.4L, 1468cc/1.5L,
 1597cc/1.6L, 1755cc/1.8L,
 1834cc/1.8L, 1997cc/2.0L,
 2351cc/2.4L
 Seal 3771
 Kwik Slv (Opt Rpr) KWK99139

CRANKSHAFT FRONT SEAL

4 Cylinder

1989-1984 1595cc/1.6L (DOHC),
 1834cc/1.8L, 1997cc/2.0L
 (DOHC), 2351cc/2.4L
 Seal Viton 228005
 Kwik Slv (Opt Rpr) KWK99315
1989-1980 1410cc/1.4L, 1468cc/1.5L,
 1597cc/1.6L, 1755cc/1.8L
 Seal 227235

TIMING COVER

4 Cylinder

1989-1985 1468cc/1.5L
 Seal 223018
 Kwik Slv (Opt Rpr) KWK99114
1989-1980 1595cc/1.6L (DOHC),
 1597cc/1.6L, 1755cc/1.8L,
 1997cc/2.0L, 2351cc/2.4L
 Seal 224460
1984-1979 1410cc/1.4L
 Seal 712001
 Kwik Slv (Opt Rpr) KWK99114

PLYMOUTH TRUCK - MINIVAN, AWD MINIVAN - Voyager

FRONT WHEEL

1989 15" wheels
 Hub Assy 513074[2]⁴⁴
1989-1988 14" wheels (4 stud)
 Seal 5604[2]⁵⁶
 Bearing 513006[2]
 Hub Assy 518501[2]⁶²
1989-1988 14" wheels (5 stud)
 Seal 5604[2]⁵⁶
 Bearing 513006[2]
 Hub Assy 518502[2]⁶²
1988 15" wheels
 Hub Assy HA590197[2]⁴⁵
1987-1984 (4 stud)
 Seal 5604[2]⁵⁶
 Bearing 513006[2]
 Hub Assy 518501[2]⁶²
1987-1984 (5 stud)
 Seal 5604[2]⁵⁶
 Bearing 513006[2]
 Hub Assy 518502[2]⁶²

REAR WHEEL

1989-1983 FWD
 Seal (inner) 4249[2]
 Set (inner) SET17
 Set (outer) SET16

3-SPEED AUTOMATIC TRANSAXLE

Torque Converter

1989-1983 A404-31TH, A413
 Seal 331228H
 Kwik Slv (Opt Rpr) KWK99149

Transfer Shaft

1989-1983 A413, A670, 31TH
 Set SET11[2]

464 [] Indicates Quantity Required; Set Components Listed Inside Rear Cover;

⁴⁴ Bearing Flange has Threaded Mounting Holes ⁴⁵ Bearing Flange has Non-Threaded Mounting Holes 56

Opt. K 62 Kit incl: Hub & Bearing, Seal, Mounting Bolts

PLYMOUTH TRUCK - MINIVAN, AWD MINIVAN - Voyager (cont.)

3-SPEED AUTOMATIC TRANSAXLE

Output Shaft

1989-1983 A404-31TH, A413
 Set SET17[2]

Differential

1989-1983 A413, A670, 31TH
 Seal 3459S[2]
 Set SET11[2]
 Kwik Slv (Opt Rpr) KWK99157[2]
 1989-1983 A404
 Seal 3459S[2]
 Cone/Cup JL69349H-JL69310[2]

Selector Shaft Seal/Man. Shaft

1989-1983 A413, 31TH
 Seal 8609

4-SPEED AUTOMATIC TRANSAXLE

Differential

1989 A604, A670
 Set SET11[2]

Torque Converter

1989-1988 A604, A604-41TE (incl. AWD),
 A670
 Seal 331228H

Transfer Shaft

1989 A604, A670
 Set SET11[2]

Output Shaft

1989 A604, A670
 Seal 3459S[2]
 Set SET17

Selector Shaft Seal/Man. Shaft

1989-1988 A604, A604-41TE, A670
 Seal 8609

CAMSHAFT SEAL

4 Cylinder

1989-1988 153/2.5L
 Seal 3655S
 Kwik Slv (Opt Rpr) KWK99139

6 Cylinder

1989-1987 2972cc/3.0L
 Seal 3771[2]
 Kwik Slv (Opt Rpr) KWK99139[2]

CRANKSHAFT REAR SEAL

4 Cylinder

1989-1984 135/2.2L, 153/2.5L
 Seal Viton 710056
 Seal PTFE H/D Opt. 5279

TIMING COVER

4 Cylinder

1989 153/2.5L
 Seal 3638
 Kwik Slv (Opt Rpr) KWK99112
 1988-1984 135/2.2L, 153/2.5L
 Seal 3655S
 Kwik Slv (Opt Rpr) KWK99139

PLYMOUTH TRUCK - LIGHT & 1/2 TON - Trailblazer, Trailduster, Voyager full-size Van, PB100, 150, 200, 250, 300, 350 Series

FRONT WHEEL

2WD

1983-1982 5-lug wheels
 Seal (inner) 3087[2]
 Set (inner) SET11
 Set (outer) SET16
 1983-1982 8-lug wheels
 Seal (inner) 493291[2]
 Set (inner) SET45
 Cone/Cup (outer) 15101-15245[2]

FRONT WHEEL (cont.)

2WD (cont.)

1981-1973 5-lug wheels
 Seal (inner) 5121[2]
 Set (inner) SET17
 Set (outer) SET16
 1981-1973 8-lug wheels: 3300 & 3600 lb.
 axles
 Seal (inner) 3087[2]
 Set (inner) SET11
 Set (outer) SET16

Bearings and Seals

Mfg./Year Model & Location Part No Mfg./Year Model & Location Part No

PLYMOUTH TRUCK - LIGHT & 1/2 TON - Trailblazer, Trailduster, Voyager full-size Van, PB100, 150, 200, 250, 300, 350 Series (cont.)

FRONT WHEEL (cont.)

2WD (cont.)

1981-1973 8-lug wheels: 3800 & 4000 lb. axles
Seal (inner) 493291[2]
Set (inner) SET45
Cone/Cup (outer) 15101-15245[2]

4WD

1983-1980 non-locking hub
Seal (inner) 413248[2]
Cone/Cup (inner) LM104949-JLM104910[2]
Set (outer) SET45
1983-1980 locking hub
Seal (inner) 471271[2]
Cone/Cup (inner) LM104949-JLM104910[2]
Set (outer) SET45
1979-1974
Seal 413248[2]
Set SET25

REAR WHEEL

1983-1977 PB300, 350: Dana/Spicer 60 axle: 12"x2.5" brakes
Seal (inner) 4250[2]
Set (inner) SET38
Set (outer) SET38
1983-1974 Trailblazer, Trailduster: 9.25" ring gear
Seal 8835S[2]
Cyl. Bearing 6408[2]
Kit TRP1559TV[2]¹⁹
1983-1974 PB100, 150: 8.375" ring gear
Seal 8835S[2]
Cyl. Bearing 6408[2]
Kit TRP1559TV[2]¹⁹
1983-1974 PB100, 150: 9.25" ring gear
Seal 8835S[2]
Cyl. Bearing 6408[2]
Kit TRP1559TV[2]¹⁹
1983-1974 PB200, 250: 8.375" ring gear
Seal 8835S[2]
Cyl. Bearing 6408[2]
Kit TRP1559TV[2]¹⁹
1983-1974 PB300, 350: Dana/Spicer 60, 70 axles: 12"x3" brakes exc. 9000 lb. GVW
Seal (inner) 455086[2]
Cone/Cup (inner) 45291-45220[2]
Set (outer) SET38
1983-1974 PB300, 350: H/D: Dana/Spicer 60, 70 axles: 12"x3" brakes: 9000 lb. GVW
Seal (inner) 417158[2]
Cone/Cup (inner) 28682-28622[2]
Set (outer) SET38
1977-1974 PB100: 8.75" ring gear
Seal 8704S[2]
Acc. Pkg (RH) A7RK⁴⁶
Acc. Pkg (LH) A7LK⁴⁶

REAR WHEEL (cont.)

1977-1974 PB200: 8.75" ring gear
Seal 8704S[2]
Acc. Pkg (RH) A7RK⁴⁶
Acc. Pkg (LH) A7LK⁴⁶
1976-1974 PB300: Dana/Spicer 60 axle: 12"x2.5" brakes
Seal (inner) 475458[2]
Cone/Cup (inner) 370A-362A[2]
Cone/Cup (outer) 395S-354A[2]

4WD FRONT AXLE

Axle Shaft

1983-1973 Dana/Spicer 44F-BJ axle
Seal 5131[2]

Differential Rebuild Kit

1983-1973 Dana/Spicer 44-3CF, 44F-BJ axles
Kit DRK339B

Differential

1983-1978 8.25", 8.375" ring gears
Set SET36
1983-1978 9.25" ring gear
Cone/Cup JLM704649-JLM704610[2]
1983-1974 Dana/Spicer 44-3CF, 44F-BJ axles
Cone/Cup 25590-25523[2]

Pinion

1983-1978 8.25", 8.375" ring gears
Cone/Cup (inner) M802048-M802011
Seal (outer) 8516N
Cone/Cup (outer) M86649-M86610
1983-1978 9.25" ring gear
Cone/Cup (inner) M804049-M804010
Seal (outer) 5126
Cone/Cup (outer) M88048-M88010
1983-1974 Dana/Spicer 44F-BJ axle
Cone/Cup (inner) 31594-31520
Seal Viton (outer) 5778V
Cone/Cup (outer) 02872-02820

Spindle Kit

1983-1973 Dana/Spicer 44F-BJ axle
Bearing & Seal Kit SBK1³³

Spindle

1983-1973 Dana/Spicer 44-3CF, 44-3F axles
Needle Bearing B2110[2]
1983-1973 Dana/Spicer 44F-BJ axle
Seal (inner) 722108[2]
Needle Bearing (inner) B2110[2]
Seal (outer) 722109[2]

466 [] Indicates Quantity Required; Set Components Listed Inside Rear Cover;

¹⁹ Opt. Axle Repair Bearing. Replaces O.E. bearing & seal. ³³ Opt. Kit incl: Bearing B2110; Seals 722108 &

722109 ⁴⁶ Opt. Kit incl: Metal & Foam gskt, Retainer, 8695S, 8704S

**PLYMOUTH TRUCK - LIGHT & 1/2 TON - Trailblazer, Trailduster, Voyager
full-size Van, PB100, 150, 200, 250, 300, 350 Series (cont.)**

REAR AXLE

Differential Rebuild Kit

1983-1974	9.25" ring gear	
Kit		DRK304
1974	8.75" ring gear: 1.875" pinion shaft OD	
Kit		DRK301

Differential

1983-1980	8.25" ring gear	
Set		SET36[2]
1983-1980	8.375" ring gear	
Set		SET36[2]
1983-1974	9.25" ring gear	
Cone/Cup		JLM704649-JLM704610[2]
1979-1976	8.375" ring gear	
Set		SET36[2]
1975	8.375" ring gear: marked with "L"	
Set		SET36[2]
1975	8.375" ring gear: not marked with "L"	
Set		SET47[2]
1974	8.75" ring gear: 1.875" pinion shaft OD	
Cone/Cup		LM104949-LM104912[2]
1974-1972	8.375" ring gear	
Set		SET47[2]

Pinion

1983-1980	8.25" ring gear	
Cone/Cup (inner)		M802048-M802011
Seal (outer)		8516N
Cone/Cup (outer)		M86649-M86610
1983-1974	9.25" ring gear	
Cone/Cup (inner)		M804049-M804010
Seal (outer)		5126
Cone/Cup (outer)		M88048-M88010
1983-1972	8.375" ring gear	
Cone/Cup (inner)		M802048-M802011
Seal (outer)		8516N
Cone/Cup (outer)		M86649-M86610
1974	8.75" ring gear: 1.875" pinion shaft OD	
Cone/Cup (inner)		M804049-M804010
Seal (outer)		5126
Cone/Cup (outer)		M88048-M88010

TRANSFER CASE REBUILD KIT

1983-1980	New Process 208	
Kit		TCRK208
1979-1974	New Process 203	
Kit		TCRK203
1979-1974	New Process 205	
Kit		TCRK172

AUTOMATIC TRANSMISSION

Torque Converter

1983-1974	A904	
Seal		331228H
Kwik Slv (Opt Rpr)		KWK99149
1983-1974	A727	
Seal		331227H
Kwik Slv (Opt Rpr)		KWK99187

Rear Seal/Ext. Housing

1983	A904 (2WD)	
Seal		2506
Bearing		206LOE ³⁸
1983-1980	A727 (booted)	
Seal		7300S
Bearing		207XLO
Seal Kit		5206 ⁶⁴
1983-1980	A727 (non-booted)	
Seal		8160S
Bearing		2061
1982-1974	A904	
Seal		2506
Bearing		206LOE ³⁸
1979-1974	A727: 2-pc driveshaft	
Seal		8160S
Bearing		2061
1979-1974	A727: 1-pc driveshaft	
Seal		7300S
Bearing		207XLO
Seal Kit		5206 ⁶⁴

Selector Shaft Seal/Man. Shaft

1983-1974	A904	
Seal		8609

CLUTCH

Release Bearing

1983-1974		
Bearing Assy		614036

3-SPEED MANUAL TRANSMISSION

Front Input Shaft

1981-1980	A230 New Process: 20-spline	
Seal		9376
Bearing		308LOE
1981-1980	A230 New Process: 18-spline	
Seal		9376
Bearing		307LOI
1980-1974	A390 Tremec 150T	
Seal		482208
Bearing		208LO
Kwik Slv (Opt Rpr)		KWK99112
1979-1974	A230 New Process	
Seal		9376
Bearing		1307L
1975-1974	A250 New Process	
Seal		9376
Bearing		N307LOE

[] Indicates Quantity Required; Set Components Listed Inside Rear Cover;

³⁸ Use Old Snap Ring ⁶⁴ Opt. Seal and Bushing Kit

Bearings and Seals

Mfg./Year Model & Location Part No Mfg./Year Model & Location Part No

PLYMOUTH TRUCK - LIGHT & 1/2 TON - Trailblazer, Trailduster, Voyager full-size Van, PB100, 150, 200, 250, 300, 350 Series (cont.)

3-SPEED MANUAL TRANSMISSION

Rear Output Shaft

1981-1980	A230 New Process: 30-spline	
Seal		7300S
Bearing		308LOE
Seal Kit		5206 ⁶⁴
1981-1980	A230 New Process: 26-spline	
Seal		2506
Bearing		307LOI
1981-1980	A230 New Process: 23-spline	
Seal		8160S
Bearing		307LOI
1980-1974	A390 Tremec 150T	
Seal		7300S
Bearing		207L
Seal Kit		5206 ⁶⁴
1979-1974	A230 New Process: 30-spline	
Seal		7300S
Bearing		1307
Seal Kit		5206 ⁶⁴
1979-1974	A230 New Process: 23-spline	
Seal		8160S
Bearing		307L
1975-1974	A250 New Process: 30-spline shaft	
Seal		2506
Bearing		N207XE
1975-1974	A250 New Process: 26-spline shaft	
Seal		8935S
Bearing		N307LOE
Seal Kit		5207 ⁶⁴

Selector Shaft Seal/Man. Shaft

1981-1974		
Seal		7188S
Kwik Slv (Opt Rpr)		KWK99062

4-SPEED MANUAL TRANSMISSION

Transmission Rebuild Kit

1983-1974	New Process 435	
Kit		TRK127

Input Shaft

1983-1974	A833 New Process	
Seal		9376
Bearing		308LOE
1981	New Process 445	
Seal		482163N
Cone/Cup		HM88649-HM88610
Kwik Slv (Opt Rpr)		KWK99138
1974	New Process 435	
Seal		482163N
Cone/Cup		HM88649-HM88610
Kwik Slv (Opt Rpr)		KWK99138

4-SPEED MANUAL TRANSMISSION

Rear Output Shaft

1983-1974	A833 New Process: 30-spline shaft	
Seal		7300S
Bearing		308LOE
Seal Kit		5206 ⁶⁴
1981	New Process 445	
Cone/Cup		M201047S-M201011
Needle Bearing Thrust		FA35688
1981	New Process 435	
Seal		8160S
Bearing		1308L
1974	New Process 435	
Seal		8160S
Bearing		1308L

CRANKSHAFT REAR SEAL

6 Cylinder

1983-1974	225/3.7L	
Seal		5650

8 Cylinder

1983-1974	318/5.2L, 360/5.9L	
Seal		5414
1979-1974	400/6.6, 440/7.2	
Seal		5576

TIMING COVER

6 Cylinder

1983-1974	225/3.7L	
Seal		3095
Kwik Slv (Opt Rpr)		KWK99226

8 Cylinder

1983-1974	318/5.2L, 360/5.9L, 400/6.6, 440/7.2	
Seal		3103
Kwik Slv (Opt Rpr)		KWK99218
Harmonic Balancer		
Sleeves		88218

468 [] Indicates Quantity Required; Set Components Listed Inside Rear Cover;

⁶⁴ Opt. Seal and Bushing Kit

Mfg./Year Model & Location Part No Mfg./Year Model & Location Part No

PONTIAC - FRONT DRIVE - Bonneville

FRONT WHEEL

1989-1987
Hub Assy 513016K[2]⁶¹

REAR WHEEL

1989-1987 non-ABS brakes
Hub Assy 513018[2]
1989-1987 ABS brakes
Hub Assy 513041[2]

4-SPEED AUTOMATIC TRANSAXLE

Torque Converter

1989-1987
Seal 4072N

Output Shaft

1989-1987
Seal (LH) 710096
Seal (RH) 3543
Kwik Slv (Opt Rpr) KWK99139[2]

Selector Shaft Seal/Man. Shaft

1989-1987
Seal 8792S

ALTERNATOR

1989-1986 AC-Delco
Bearing (rear end) 100CCAB
Bearing (drive end) 203FF

CRANKSHAFT REAR SEAL

6 Cylinder

1989-1987 231/3.8L
Seal 5591
Seal PTFE H/D 5291

TIMING COVER

6 Cylinder

1989-1986 231/3.8L
Seal Viton 710162
Kwik Slv (Opt Rpr) KWK99193

PONTIAC - FRONT DRIVE - Grand Am

FRONT WHEEL

1989-1985
Hub Assy 513017K[2]⁶¹
Seal Kit 5697¹²

REAR WHEEL

1989-1985 non- ABS Brakes
Hub Assy 513012[2]

CLUTCH

Pilot Bearing

1989-1985 4-cyl
Bushing PB650

Release Bearing

1989-1988 5-speed: Quad4: Muncie trans
Bearing Assy 614069
1989-1987 5-speed: 6-cylinder
Bearing Assy 614069
1989-1985 5-speed: 4-cylinder: exc. Quad4
Bearing Assy 614108
1987-1985 4-speed
Bearing Assy 614009

3-SPEED AUTOMATIC TRANSAXLE

Torque Converter

1989-1985
Seal 4072N

Output Shaft

1989-1985
Seal 3543[2]
Kwik Slv (Opt Rpr) KWK99139[2]

Selector Shaft Seal/Man. Shaft

1989-1985
Seal 8792S

4-SPEED AUTOMATIC TRANSAXLE

Torque Converter

1989-1987
Seal 4072N

Output Shaft

1989-1987 THM440-T4, HM4T60, HM4T60-E
Seal (LH) 710096
Seal (RH) 3543
Kwik Slv (Opt Rpr) KWK99139[2]

Selector Shaft Seal/Man. Shaft

1989-1985
Seal 8792S

[] Indicates Quantity Required; Set Components Listed Inside Rear Cover;

¹² Opt. Kit includes seal and O ring; kit included w/hub assembly
Unit

⁶¹ Kit incl: Seal, Hub Nut, and Bearing

Bearings and Seals

Mfg./Year Model & Location Part No Mfg./Year Model & Location Part No

PONTIAC - FRONT DRIVE - Grand Am (cont.)

4-SPEED MANUAL TRANSAXLE

Differential

1987-1985
Set SET11

Input Shaft

1987-1985
Seal (front) 3732S
Set (front) SET4
Kwik Slv (Opt Rpr) KWK99106
Cone/Cup (rear) 15101-15245

Output Shaft

1987-1985
Seal 3543[2]
Kwik Slv (Opt Rpr) KWK99139[2]
Cone/Cup (LH) 15101-15245
Set (RH) SET5

Selector Shaft Seal/Man. Shaft

1987-1985
Seal 3667

5-SPEED MANUAL TRANSAXLE

Input Shaft

1989-1987
Seal 222835
Bearing 306VVL
Kwik Slv (Opt Rpr) KWK99111

Output Shaft

1989-1985
Seal 3543[2]
Kwik Slv (Opt Rpr) KWK99139[2]
Bearing Assy (RH) 32206M
Set (LH) SET5

Selector Shaft Seal/Man. Shaft

1989-1985
Seal 3667

ALTERNATOR

1989-1985 AC-Delco
Bearing (drive end) 203FF
Bearing (rear end) 100CCAB

CAMSHAFT SEAL

4 Cylinder

1989-1988 138/2.3L DOHC
Seal Viton 713771
Kwik Slv (Opt Rpr) KWK99139
1989-1987 121/2.0/L
Seal Viton 1108
Kwik Slv (Opt Rpr) KWK99139

CRANKSHAFT REAR SEAL

4 Cylinder

1989-1988 138/2.3L DOHC
Seal 40375
1989-1985 151/2.5L
Seal 3698
1989-1987 121/2.0/L
Seal Viton 710237
Kwik Slv (Opt Rpr) KWK99354

6 Cylinder

1987-1985 181/3.0L
Seal 5591

TIMING COVER

4 Cylinder

1989-1988 138/2.3L DOHC
Seal Viton 320259
1989-1985 151/2.5L
Seal 9845
Kwik Slv (Opt Rpr) KWK99176
Harmonic Balancer
Sleeves 88176
1989-1987 121/2.0/L
Seal Viton 710164
Kwik Slv (Opt Rpr) KWK99128

6 Cylinder

1989-1986 181/3.0L
Seal Viton 710162
Kwik Slv (Opt Rpr) KWK99193
1985 181/3.0L
Seal 710163

PONTIAC - FRONT DRIVE - Grand Prix

FRONT WHEEL

1989-1988
Hub Assy 513044[2]

REAR WHEEL

1989-1988 non-ABS brakes
Hub Assy 513018[2]

REAR WHEEL (cont.)

1989-1988 ABS brakes
Hub Assy 513042[2]

PONTIAC - FRONT DRIVE - Grand Prix (cont.)

CLUTCH

Release Bearing

1989-1988	5-speed: 4-cylinder: exc. Quad4 & turbo	
	Bearing Assy	614108
1989-1988	5-speed: Quad4: Muncie trans	
	Bearing Assy	614069
1989-1988	5-speed: 6-cylinder	
	Bearing Assy	614069

3-SPEED AUTOMATIC TRANSAXLE

Torque Converter

1989-1985	Seal	4072N
------------------	------------	-------

Output Shaft

1989-1985	Seal	3543[2]
	Kwik Slv (Opt Rpr)	KWK99139[2]

Selector Shaft Seal/Man. Shaft

1989-1985	Seal	8792S
------------------	------------	-------

4-SPEED AUTOMATIC TRANSAXLE

Torque Converter

1989-1987	Seal	4072N
------------------	------------	-------

Output Shaft

1989-1987	THM440-T4, HM4T60, HM4T60-E	
	Seal (LH)	710096
	Seal (RH)	3543
	Kwik Slv (Opt Rpr)	KWK99139[2]

Selector Shaft Seal/Man. Shaft

1989-1985	Seal	8792S
------------------	------------	-------

5-SPEED MANUAL TRANSAXLE

Input Shaft

1989-1987	Seal	222835
	Bearing	306VVL
	Kwik Slv (Opt Rpr)	KWK99111

5-SPEED MANUAL TRANSAXLE

Output Shaft

1989-1985	Seal (LH)	3543[2]
	Kwik Slv (Opt Rpr)	KWK99139[2]
	Bearing Assy (RH)	32206M
	Set (LH)	SET5

Selector Shaft Seal/Man. Shaft

1989-1985	Seal	3667
------------------	------------	------

ALTERNATOR

1989-1988	AC-Delco	
	Bearing (drive end)	203FF
	Bearing (rear end)	100CCAB

CRANKSHAFT REAR SEAL

6 Cylinder

1989	189/3.1L, 207/3.4L	
	Seal	4307V
	Seal PTFE H/D Opt.	5273
	Kwik Slv (Opt Rpr)	KWK99298
1987-1985	231/3.8L	
	Seal	5591

TIMING COVER

6 Cylinder

1989-1988	173/2.8L, 189/3.1L, 207/3.4L	
	Seal	9845
	Kwik Slv (Opt Rpr)	KWK99176

PONTIAC - FRONT DRIVE - J2000, Sunbird

FRONT WHEEL

1989-1985	Hub Assy	513017K[2] ⁶¹
1984	12mm flange holes	
	Hub Assy	513017K[2] ⁶¹
1984	10mm flange holes	
	Hub Assy	513004K[2] ⁶¹

FRONT WHEEL (cont.)

1983-1982	Hub Assy	513004K[2] ⁶¹
------------------	----------------	--------------------------

REAR WHEEL

1989-1982	Hub Assy	513012[2]
------------------	----------------	-----------

[] Indicates Quantity Required; Set Components Listed Inside Rear Cover;

⁶¹ Kit incl: Seal, Hub Nut, and Bearing Unit

Bearings and Seals

Mfg./Year Model & Location Part No Mfg./Year Model & Location Part No

PONTIAC - FRONT DRIVE - J2000, Sunbird (cont.)

CLUTCH

Release Bearing

1989-1987	5-speed: 4-cylinder: 2.0 turbo	
	Bearing Assy	614069
1989-1986	5-speed: 6-cylinder	
	Bearing Assy	614069
1989-1983	5-speed: 4-cylinder: exc. Quad4 & turbo	
	Bearing Assy	614108
1989-1985	5-speed: 4-cylinder: 1.8 turbo	
	Bearing Assy	614108
1987-1982	4-speed	
	Bearing Assy	614009

3-SPEED AUTOMATIC TRANSAXLE

Torque Converter

1989-1982		
	Seal	4072N

Output Shaft

1989-1982		
	Seal	3543[2]
	Kwik Slv (Opt Rpr)	KWK99139[2]

Selector Shaft Seal/Man. Shaft

1989-1982		
	Seal	8792S

4-SPEED MANUAL TRANSAXLE

Differential

1986-1982		
	Set	SET11

Input Shaft

1986-1982		
	Seal (front)	3732S
	Set (front)	SET4
	Kwik Slv (Opt Rpr)	KWK99106
	Cone/Cup (rear)	15101-15245

Output Shaft

1986-1982		
	Seal (LH)	3543[2]
	Kwik Slv (Opt Rpr)	KWK99139[2]
	Cone/Cup (LH)	15101-15245
	Set (LH)	SET5

Selector Shaft Seal/Man. Shaft

1986-1982		
	Seal	3667

5-SPEED MANUAL TRANSAXLE

Input Shaft

1989-1983		
	Seal	222835
	Bearing	306VVL
	Kwik Slv (Opt Rpr)	KWK99111

Output Shaft

1989-1983		
	Seal	3543[2]
	Kwik Slv (Opt Rpr)	KWK99139[2]
	Bearing Assy (RH)	32206M
	Set (LH)	SET5

Selector Shaft Seal/Man. Shaft

1989-1983		
	Seal	3667

ALTERNATOR

1989-1987	AC-Delco	
	Bearing (rear end)	100CCAB
1989-1982	AC-Delco	
	Bearing (drive end)	203FF

CRANKSHAFT REAR SEAL

4 Cylinder

1989-1987	122/2.0L	
	Seal Opt.	4307V
	Seal PTFE H/D Opt.	5273
	Kwik Slv (Opt Rpr)	KWK99298
1986-1982	112/1.8L, 121/2.0L	
	Seal Viton	710232

TIMING COVER

4 Cylinder

1989-1982	112/1.8L, 122/2.0L, 151/2.5L	
	Seal	9845
	Kwik Slv (Opt Rpr)	KWK99176

PONTIAC - FRONT DRIVE - Phoenix

FRONT WHEEL

1984-1980
Hub Assy 513011K[2]⁶¹

REAR WHEEL

1984-1980
Hub Assy 513012[2]

CLUTCH

Pilot Bearing

1984-1980 4-cylinder: 2.5 litre
Bushing H/D PB656HD

Release Bearing

1984-1983 5-speed: 4-cylinder
Bearing Assy 614108
1984-1980 4-speed
Bearing Assy 614009

3-SPEED AUTOMATIC TRANSAXLE

Torque Converter

1984-1982
Seal 4072N
1981-1980
Seal 3583S
Kwik Slv (Opt Rpr) KWK99172

Output Shaft

1984-1980
Seal 3543[2]
Kwik Slv (Opt Rpr) KWK99139[2]

Selector Shaft Seal/Man. Shaft

1984-1980
Seal 8792S

4-SPEED MANUAL TRANSAXLE

Differential

1986-1982
Set SET11

Input Shaft

1986-1982
Seal (front) 3732S
Set (front) SET4
Kwik Slv (Opt Rpr) KWK99106
Cone/Cup (rear) 15101-15245

4-SPEED MANUAL TRANSAXLE

Output Shaft

1986-1982
Seal 3543[2]
Kwik Slv (Opt Rpr) KWK99139[2]
Cone/Cup (LH) 15101-15245
Set (RH) SET5

Selector Shaft Seal/Man. Shaft

1986-1982
Seal 3667

CRANKSHAFT REAR SEAL

4 Cylinder

1984-1980 151/2.5L
Seal 3698

6 Cylinder

1984-1980 173/2.8L
Seal 5210
Seal Split 5433

TIMING COVER

4 Cylinder

1984-1980 151/2.5L
Seal 9845
Kwik Slv (Opt Rpr) KWK99176

6 Cylinder

1984-1980 173/2.8L
Seal 9845
Kwik Slv (Opt Rpr) KWK99176
Harmonic Balancer
Sleeves 88176

[] Indicates Quantity Required; Set Components Listed Inside Rear Cover;

⁶¹ Kit incl: Seal, Hub Nut, and Bearing Unit

Bearings and Seals

Mfg./Year Model & Location Part No Mfg./Year Model & Location Part No

PONTIAC - FRONT DRIVE, AWD - 6000

FRONT WHEEL

1989-1988	JL9 ABS brakes	
Hub Assy	513016K[2] ⁶¹
1989	4WD	
Hub Assy	513016K[2] ⁶¹
1989-1985	JM4 brakes	
Hub Assy	513016K[2] ⁶¹
1989-1985	JA8, J65 brakes	
Hub Assy	513016K[2] ⁶¹
1989-1983	JA1, J41 brakes	
Hub Assy	513011K[2] ⁶¹
1989-1983	JA2, JA3 brakes	
Hub Assy	513016K[2] ⁶¹
1989-1983	JA4, JA6 brakes	
Hub Assy	513011K[2] ⁶¹
1984-1983	JA8 brakes	
Hub Assy	513011K[2] ⁶¹
1982		
Hub Assy	513011K[2] ⁶¹

REAR WHEEL

1989	JL9 brakes with ABS	
Hub Assy	513039[2]
1989	4WD	
Hub Assy	513016K[2] ⁶¹
1989-1985	JM4, JA8, J65 brakes	
Hub Assy	513018[2]
1989-1983	JA1, JA4, JA6, J41 brakes	
Hub Assy	513003[2]
1989-1983	JA2, JA3 brakes	
Hub Assy	513018[2]
1984-1983	JA8 brakes	
Hub Assy	513003[2]
1982		
Hub Assy	513003[2]

AWD REAR AXLE

Differential

1989-1988	AWD	
Set	SET11[2]

Pinion

1989-1988	AWD	
Cone/Cup (inner)	M88048S-M88010
Cone/Cup (outer)	M86649-M86610

TRANSFER CASE

Input Shaft

1989-1988	Pinion shaft	
Bearing Assy	32205B

Rear Output Shaft

1989-1988	Output Shaft adj output	
Cone/Cup	M86649-M86610
1989-1988	Output Shaft adj pinion	
Cone/Cup	M88048-M88010

CLUTCH

Pilot Bearing

1984-1982	4-cylinder: 2.5 litre	
Bushing H/D	PB656HD

Release Bearing

1989-1986	5-speed: 6-cylinder	
Bearing Assy	614069
1989-1983	5-speed: 4-cylinder: exc. Quad4 & turbo	
Bearing Assy	614108
1987-1982	4-speed	
Bearing Assy	614009

3-SPEED AUTOMATIC TRANSAXLE

Torque Converter

1989-1985		
Seal	4072N

Output Shaft

1989-1985		
Seal	3543[2]
Kwik Slv (Opt Rpr)	KWK99139[2]

Selector Shaft Seal/Man. Shaft

1989-1985		
Seal	8792S

4-SPEED AUTOMATIC TRANSAXLE

Torque Converter

1989-1987		
Seal	4072N

Output Shaft

1989-1987	THM440-T4, HM4T60, HM4T60-E	
Seal (LH)	710096
Seal (RH)	3543
Kwik Slv (Opt Rpr)	KWK99139[2]

Selector Shaft Seal/Man. Shaft

1989-1985		
Seal	8792S

4-SPEED MANUAL TRANSAXLE

Differential

1988-1982		
Set	SET11

Input Shaft

1988-1982		
Seal (front)	3732S
Set (front)	SET4
Kwik Slv (Opt Rpr)	KWK99106
Cone/Cup (rear)	15101-15245

474 [] Indicates Quantity Required; Set Components Listed Inside Rear Cover;

⁶¹ Kit incl: Seal, Hub Nut, and Bearing Unit

PONTIAC - FRONT DRIVE, AWD - 6000 (cont.)

4-SPEED MANUAL TRANSAXLE

Output Shaft

1988-1982	
Seal	3543[2]
Kwik Slv (Opt Rpr)	KWK99139[2]
Cone/Cup (LH)	15101-15245
Set (RH)	SET5

Selector Shaft Seal/Man. Shaft

1988-1982	
Seal	3667

5-SPEED MANUAL TRANSAXLE

Input Shaft

1989-1985	
Seal	222835
Bearing	306VVL
Kwik Slv (Opt Rpr)	KWK99111

Output Shaft

1989-1985	
Seal	3543[2]
Kwik Slv (Opt Rpr)	KWK99139[2]
Bearing Assy (RH)	32206M
Set (LH)	SET5

Selector Shaft Seal/Man. Shaft

1989-1985	
Seal	3667

ALTERNATOR

1989-1982	AC-Delco
Bearing (drive end)	203FF
Bearing (rear end)	100CCAB

CRANKSHAFT REAR SEAL

4 Cylinder

1989-1982	151/2.5L
Seal	3698

6 Cylinder

1989-1985	173/2.8L, 189/3.1L
Seal	4307V
Seal PTFE H/D Opt.	5273
Kwik Slv (Opt Rpr)	KWK99298
1985-1982	260/4.3 diesel
Seal Rope	5095
1984-1982	173/2.8L
Seal	5210

TIMING COVER

4 Cylinder

1989-1982	151/2.5L
Seal	9845
Kwik Slv (Opt Rpr)	KWK99176
Harmonic Balancer	
Sleeves	88176

6 Cylinder

1989-1982	173/2.8L, 189/3.1L
Seal	9845
Kwik Slv (Opt Rpr)	KWK99176
Harmonic Balancer	
Sleeves	88176
1985-1982	260/4.3 diesel
Seal	9845
Kwik Slv (Opt Rpr)	KWK99176
Harmonic Balancer	
Sleeves	88176

PONTIAC - REAR DRIVE - Astre, Sunbird

FRONT WHEEL

1980-1975	
Seal (inner)	8705S[2]
Set (inner)	SET6
Set (outer)	SET1

REAR WHEEL

1980-1975	
Seal	8660S[2]
Cyl. Bearing	5707[2]
Kit	TRP1563TAV[2] ¹⁹

REAR AXLE

Differential Rebuild Kit

1980-1975	7.5" ring gear
Kit	DRK320

Differential

1980-1975	7.5" ring gear
Cone/Cup	LM501349-LM501314[2]
1977-1975	6.5" ring gear
Cone/Cup	LM48548-LM48511[2]

[] Indicates Quantity Required; Set Components Listed Inside Rear Cover;
¹⁹ Opt. Axle Repair Bearing. Replaces O.E. bearing & seal.

Bearings and Seals

Mfg./Year Model & Location Part No Mfg./Year Model & Location Part No

PONTIAC - REAR DRIVE - Astre, Sunbird (cont.)

REAR AXLE

Pinion

1980-1976	7.5" ring gear	
	Cone/Cup	HM88649-HM88610[2]
	Seal (outer)	8610
	Kwik Slv (Opt Rpr)	KWK99152
1977-1976	6.5" ring gear W/3.165" OD	
	Cone/Cup (inner)	M88048-M88010
	Seal (outer)	5778
	Cone/Cup (outer)	M86649-M86610
	Kwik Slv (Opt Rpr)	KWK99155
1977-1975	6.5" ring gear W/2.660" OD	
	Cone/Cup (inner)	M88048-M88010
	Seal (outer)	8611N
	Cone/Cup (outer)	M86649-M86610
	Kwik Slv (Opt Rpr)	KWK99152
1975	7.5" ring gear	
	Cone/Cup	HM88649-HM88610[2]
	Seal (outer)	8611N

3-SPEED AUTOMATIC TRANSMISSION

Torque Converter

1980-1975	THM350, 350C	
	Seal	6712NA
	Kwik Slv (Opt Rpr)	KWK99187
1978-1976	THM200	
	Seal	3227
	Kwik Slv (Opt Rpr)	KWK99174

Rear Seal/Ext. Housing

1980-1975		
	Seal	9613S
	Seal Kit	5200 ⁶⁴
	Kwik Slv (Opt Rpr)	KWK99149

Selector Shaft Seal/Man. Shaft

1980-1975		
	Seal	340847
	Kwik Slv (Opt Rpr)	KWK99049

CLUTCH

Release Bearing

1987-1981	all	
	Bearing Assy	614018 ⁴²
1980-1975	all	
	Bearing Assy	614018 ⁴²

3-SPEED MANUAL TRANSMISSION

Front Input Shaft

1977-1975		
	Seal	7412S
	Bearing	207SLB
	Kwik Slv (Opt Rpr)	KWK99125

3-SPEED MANUAL TRANSMISSION

Rear Output Shaft

1977-1975		
	Seal	9613S
	Bearing	306SLVB
	Seal Kit	5200 ⁶⁴

Selector Shaft Seal/Man. Shaft

1977-1975		
	Seal	240735
	Kwik Slv (Opt Rpr)	KWK99076

4-SPEED MANUAL TRANSMISSION

Input Shaft

1980-1975		
	Seal	7412S
	Bearing	207SLB
	Kwik Slv (Opt Rpr)	KWK99125

Rear Output Shaft

1980-1975		
	Seal	9613S
	Bearing	306SLVB
	Seal Kit	5200 ⁶⁴

Selector Shaft Seal/Man. Shaft

1980-1975		
	Seal	240735
	Kwik Slv (Opt Rpr)	KWK99078

5-SPEED MANUAL TRANSMISSION

Front Input Shaft

1979-1976		
	Seal	9613S
	Seal Kit	5200 ⁶⁴

Rear Output Shaft

1979-1976		
	Seal	9613S
	Kwik Slv (Opt Rpr)	KWK99149
	Seal Kit	5200 ⁶⁴

Selector Shaft Seal/Man. Shaft

1979-1976		
	Seal	312518
	Kwik Slv (Opt Rpr)	KWK99078

ALTERNATOR

1980-1975	AC-Delco	
	Bearing (drive end)	203S
	Bearing (rear end)	MNJ471S

476 [] Indicates Quantity Required; Set Components Listed Inside Rear Cover;

⁴² Sealed Self-Aligning Bearing ⁶⁴ Opt. Seal and Bushing Kit

PONTIAC - REAR DRIVE - Astre, Sunbird (cont.)

POWER STEERING

Pitman Shaft

1980-1975	800 Gear with 4 bolt side cover	
	Seal (inner)	471413
	Seal (outer)	7412S
	Seal Kit Opt.	PSK1 ²⁴
1977	605 Gear with round side cover	
	Seal	710285

Pump Shaft

1980-1975		
	Seal	480821

Worm Shaft

1980-1975	800 Gear with 4 bolt side cover	
	Seal	351267
1977	605 Gear with round side cover	
	Seal	351267

MANUAL STEERING

Pitman Shaft

1980-1975		
	Seal	313842

Worm Shaft

1980-1975		
	Seal	7013S

CRANKSHAFT FRONT SEAL

4 Cylinder

1980-1977	151/2.5L	
	Seal	3698

CRANKSHAFT REAR SEAL

6 Cylinder

1980-1975	231/3.8L	
	Seal	5591

CRANKSHAFT REAR SEAL

8 Cylinder

1980-1978		
	Seal	5092

TIMING COVER

4 Cylinder

1980-1977	151/2.5L	
	Seal	9845
	Kwik Slv (Opt Rpr)	KWK99176
	Harmonic Balancer	
	Sleeves	88176
1977-1975	140/2.3L	
	Seal	5115
	Kwik Slv (Opt Rpr)	KWK99149

6 Cylinder

1980-1975	231/3.8L	
	Seal	710163

8 Cylinder

1980-1978		
	Seal	9845
	Kwik Slv (Opt Rpr)	KWK99176
	Harmonic Balancer	
	Sleeves	88176

PONTIAC - REAR DRIVE - Bonneville, Catalina, Chieftain, Grand Safari, Executive, Grandville, Parisienne, Safari, Star Chief, 2+2

FRONT WHEEL

1986-1983	Parisienne, Safari	
	Seal (inner)	8871[2]
	Set (inner)	SET6
	Set (outer)	SET3
1986-1982	Bonneville	
	Seal (inner)	8871[2]
	Set (inner)	SET6
	Set (outer)	SET34
1981-1979		
	Seal (inner)	8871[2]
	Set (inner)	SET6
	Set (outer)	SET3

FRONT WHEEL (cont.)

1978	Standard: 11" rotor	
	Seal (inner)	8871[2]
	Set (inner)	SET6
	Set (outer)	SET2
1978	Heavy Duty: 12" rotor	
	Seal (inner)	8871[2]
	Set (inner)	SET6
	Set (outer)	SET3
1977		
	Seal (inner)	8871[2]
	Set (inner)	SET6
	Set (outer)	SET2

[] Indicates Quantity Required; Set Components Listed Inside Rear Cover;
²⁴ Opt. Kit incl. seals 5683 & 5684. Not sold separately

Bearings and Seals

Mfg./Year Model & Location Part No Mfg./Year Model & Location Part No

PONTIAC - REAR DRIVE - Bonneville, Catalina, Chieftain, Grand Safari, Executive, Grandville, Parisienne, Safari, Star Chief, 2+2 (cont.)

FRONT WHEEL (cont.)

1976-1971	
Seal (inner)	8871[2]
Set (inner)	SET5
Set (outer)	SET2
1970-1969	
Seal (inner)	292594[2]
Set (inner)	SET5
Set (outer)	SET2
1968-1962	
Set (inner)	SET6
Set (outer)	SET2
1961-1958	
Seal (inner)	291146[2]
Bearing (inner)	B70[2]
Bearing (outer)	B67[2]
1957-1946	
Seal (inner)	41081[2]
Bearing (inner)	B60[2]
Bearing (outer)	B67[2]

REAR WHEEL

1989-1982	8.5" ring gear: Wagon
Seal	8835S[2]
Cyl. Bearing	6408[2]
Kit	TRP1559TV[2] ¹⁹
1987-1976	7.5" ring gear
Seal	8660S[2]
Cyl. Bearing	5707[2]
Kit	TRP1563TAV[2] ¹⁹
1986-1982	8.5" ring gear: exc. Wagon
Seal	8660S[2]
Cyl. Bearing	5707[2]
Kit	TRP1563TAV[2] ¹⁹
1981-1976	8.5" ring gear: C, G, K axles
Seal	8660S[2]
Cyl. Bearing	5707[2]
Kit	TRP1563TAV[2] ¹⁹
1979-1977	8.5" ring gear: B, O axles
Seal	712146[2]
Set	SET9
1976-1971	8.5" ring gear: B, O axles
Seal	2689S[2]
Set	SET10
1976-1971	8.5" ring gear: C, P, M axles
Seal	8835S[2]
Cyl. Bearing	6408[2]
Kit	TRP1559TV[2] ¹⁹
1976-1971	8.875" ring gear: C, P, M axles
Seal	8835S[2]
Cyl. Bearing	6408[2]
Kit	TRP1559TV[2] ¹⁹
1975-1973	9.375" ring gear
Seal	2689S[2]
Set	SET10
1970-1965	
Seal	8940S[2]
Bearing	88131R[2]
1964-1959	
Seal	450059[2]
Bearing	514003P[2]

REAR WHEEL (cont.)

1958-1941	
Bearing	514003P[2]

REAR AXLE

Differential Rebuild Kit

1979-1977	8.75", 8.875" ring gears
Kit	DRK323
1979-1971	8.5" ring gear
Kit	DRK321

Differential

1988-1985	7.75" ring gear
Cone/Cup	LM102949-LM102911[2]
1988-1972	7.5", 7.625", 8.5" ring gears: B, C, G, K, O axles
Cone/Cup	LM501349-LM501314[2]
1981-1972	8.75", 8.875" ring gears: P, M axles
Set	SET36
1971-1965	10-bolt housing cover
Cone/Cup	LM501349-LM501314[2]
1971-1965	12-bolt housing cover
Set	SET36
1965-1947	
Cone/Cup	25584-25520[2]

Pinion

1988-1982	7.5" ring gear
Cone/Cup (inner)	HM89249-HM89210
Seal (outer)	8610
Cone/Cup (outer)	M86649-M86610
1986-1972	8.5" ring gear
Cone/Cup (inner)	M802048-M802011
Seal (outer)	2043
Cone/Cup (outer)	M88048-M88010
1981-1976	7.5" ring gear
Cone/Cup (inner)	HM89449-HM89410
Seal (outer)	8610
Cone/Cup (outer)	M86649-M86610
1981-1972	8.75" ring gear
Cone/Cup (inner)	M802048-M802011
Seal (outer)	2043
Cone/Cup (outer)	M88048-M88010
1976-1972	8.875" ring gear
Cone/Cup (inner)	M804049-M804010
Seal (outer)	2043
Cone/Cup (outer)	M88048-M88010
1971	10-bolt housing cover
Cone/Cup (inner)	M804049-M804010
Seal (outer)	2043
Cone/Cup (outer)	M88048-M88010
1971	12-bolt housing cover
Cone/Cup (inner)	M802048-M802011
Seal (outer)	2043
Cone/Cup (outer)	M88048-M88010

478 [] Indicates Quantity Required; Set Components Listed Inside Rear Cover;

¹⁹ Opt. Axle Repair Bearing. Replaces O.E. bearing & seal.

PONTIAC - REAR DRIVE - Bonneville, Catalina, Chieftain, Grand Safari, Executive, Grandville, Parisienne, Safari, Star Chief, 2+2 (cont.)

REAR AXLE (cont.)

Pinion (cont.)

1970-1966	
Cone/Cup (inner)	M804049-M804010
Seal (outer)	2043
Cone/Cup (outer)	M88048-M88010
1965	
Cone/Cup (inner)	M804049-M804010
Cone/Cup (outer)	M88048-M88010
1964-1963 production from 6/1963 on	
Cone/Cup (inner)	M804049-M804010
Cone/Cup (outer)	HM88649-HM88610
1963-1957 production thru 6/1963	
Cone/Cup (inner)	HM804846-HM804810
Cone/Cup (outer)	HM89446-HM89410
1956-1947	
Cone/Cup (inner)	3779-3720
Cone/Cup (outer)	31590-31520

AUTOMATIC TRANSMISSION

Torque Converter

1956-1948	
Seal	450725N ²⁰

Rear Seal/Ext. Housing

1958-1946 Hydramatic: 1.687" shaft	
Seal	7038SA
Seal Kit	5205 ⁶⁴
1958-1946 Hydramatic: 1.5" shaft	
Seal	9613S
Seal Kit	5200 ⁶⁴

3-SPEED AUTOMATIC TRANSMISSION

Torque Converter

1989-1977 THM200	
Seal	3227
Kwik Slv (Opt Rpr)	KWK99174
1984-1965 exc. THM200	
Seal	6712NA
Kwik Slv (Opt Rpr)	KWK99187
1964-1958	
Seal	7018N

Rear Seal/Ext. Housing

1989-1972 exc. THM400	
Seal	9613S
Seal Kit	5200 ⁶⁴
1977-1965 THM400: 1.890" shaft	
Seal	9449
Kwik Slv (Opt Rpr)	KWK99189
Seal Kit	5208 ⁶⁴
1977-1965 THM400: 1.687" shaft	
Seal	7038SA
Kwik Slv (Opt Rpr)	KWK99168
Seal Kit	5205 ⁶⁴
1964-1957	
Seal	7038SA
Seal Kit	5205 ⁶⁴

Selector Shaft Seal/Man. Shaft

1989-1965	
Seal	8792S

4-SPEED AUTOMATIC TRANSMISSION

Torque Converter

1989-1983	
Seal	3227
Kwik Slv (Opt Rpr)	KWK99174

Rear Seal/Ext. Housing

1989-1983	
Seal	9613S
Kwik Slv (Opt Rpr)	KWK99149
Seal Kit	5200 ⁶⁴

Selector Shaft Seal/Man. Shaft

1989-1983	
Seal	8792S

CLUTCH

Pilot Bearing

1975-1946 all	
Bearing	7109

Release Bearing

1975-1963 exc. H/D clutch	
Bearing Assy	614037 ⁴²
1975-1963 H/D clutch	
Bearing Assy	614018 ⁴²
1962-1957 all	
Bearing Assy	614018 ⁴²
1956-1946 all	
Bearing Assy	1377C

3-SPEED MANUAL TRANSMISSION

Transmission Rebuild Kit

1987-1966 SM326 Saginaw: 76mm shaft	
Kit	TRK301

Front Input Shaft

1979-1966 Saginaw	
Seal	7412S
Bearing	207SLB
Kwik Slv (Opt Rpr)	KWK99125
1971-1964 Tremac	
Seal	482208
Bearing	208LO
Kwik Slv (Opt Rpr)	KWK99112
1965-1958 SM318, SM319: with overdrive	
Seal	7412S
Bearing	1207SLB
Kwik Slv (Opt Rpr)	KWK99125

[] Indicates Quantity Required; Set Components Listed Inside Rear Cover;

²⁰ Not currently in production; check for availability

⁴² Sealed Self-Aligning Bearing

⁶⁴ Opt. Seal

Bearings and Seals

Mfg./Year Model & Location Part No Mfg./Year Model & Location Part No

PONTIAC - REAR DRIVE - Bonneville, Catalina, Chieftain, Grand Safari, Executive, Grandville, Parisienne, Safari, Star Chief, 2+2 (cont.)

3-SPEED MANUAL TRANSMISSION

(cont.)

Front Input Shaft (cont.)

1965-1958	SM318, SM319: exc. overdrive	
Seal	7412S
Bearing	207SLB
Kwik Slv (Opt Rpr)	KWK99125
1964-1958	Warner	
Seal	7412S
Bearing	307L
Kwik Slv (Opt Rpr)	KWK99125
1957-1946		
Bearing	207SL

Rear Output Shaft

1979-1966	Saginaw	
Seal	9613S
Bearing	306SLVB
Seal Kit	5200 ⁶⁴
1971-1964	Tremac	
Seal	9613S
Bearing	207L
Seal Kit	5200 ⁶⁴
1965-1958	SM318, SM319	
Seal	9613S
Bearing	306LO
Seal Kit	5200 ⁶⁴
1964-1958	Warner	
Seal	9613S
Bearing	1307L
1960-1946	exc. 40 & 50 Series, Special, Super	
Bearing	306L
1955-1953	50 Series, Super	
Bearing	306L
1955-1946	40 Series, Special	
Bearing	206WB
1952-1946	50 Series, Super	
Bearing	206WB

Selector Shaft Seal/Man. Shaft

1979-1966		
Seal	240735
Kwik Slv (Opt Rpr)	KWK99076
1957-1946		
Seal	340724

4-SPEED MANUAL TRANSMISSION

Input Shaft

1979-1978	Saginaw: 76mm shaft	
Seal	7412S
Bearing	207SLB
Kwik Slv (Opt Rpr)	KWK99125
1971-1964	Muncie	
Seal	7412S
Bearing	N1307L
Kwik Slv (Opt Rpr)	KWK99125

4-SPEED MANUAL TRANSMISSION

(cont.)

Input Shaft (cont.)

1964-1960	Warner	
Seal	7412S
Bearing	307L
Kwik Slv (Opt Rpr)	KWK99125

Rear Output Shaft

1979-1978	Saginaw: 76mm shaft	
Seal	9613S
Bearing	306SLVB
1971-1964	Muncie: 83mm 32-spline shaft	
Seal	9449
Bearing	308L
Seal Kit	5208 ⁶⁴
1971-1964	Muncie: 83mm 27-spline shaft	
Seal	9613S
Bearing	308L
Seal Kit	5200 ⁶⁴
1964-1960	Warner	
Seal	9613S
Bearing	307L
Seal Kit	5200 ⁶⁴

Selector Shaft Seal/Man. Shaft

1979-1978	Saginaw: 76mm shaft	
Seal	240735
Kwik Slv (Opt Rpr)	KWK99076

POWER STEERING

Pitman Shaft

1989-1982	800 Gear with 4 bolt side cover	
Seal (inner)	471413
Seal (outer)	7412S
Seal Kit	PSK1 ²⁴
1981-1980	800 Gear with 4 bolt side cover	
Seal (inner)	471413
Seal (outer)	7412S
Seal Kit	PSK1 ²⁴
1981-1980	605 Gear with round side cover	
Seal	710285

Pump Shaft

1989-1980		
Seal	7013S

Worm Shaft

1989-1980		
Seal	222025

MANUAL STEERING

Pitman Shaft

1979-1964		
Seal	313842

480 [] Indicates Quantity Required; Set Components Listed Inside Rear Cover;

²⁴ Opt. Kit incl. seals 5683 & 5684. Not sold separately ⁶⁴ Opt. Seal and Bushing Kit

PONTIAC - REAR DRIVE - Bonneville, Catalina, Chieftain, Grand Safari, Executive, Grandville, Parisienne, Safari, Star Chief, 2+2 (cont.)

MANUAL STEERING

Worm Shaft

1979-1964	
Seal	7013S

CRANKSHAFT REAR SEAL

6 Cylinder

1986	262/4.3L	
Seal Viton		4359V
Kwik Slv (Opt Rpr)		KWK99364
Seal PTFE H/D Opt.		5274
1986-1977	231/3.8L	
Seal		5591
Seal PTFE H/D Opt.		5291
1985	262/4.3L	
Seal		5092
1983	229/3.8L	
Seal		5092

8 Cylinder

1989-1980	307/5.0L, 350/5.7L, 350/5.7 diesel	
Seal Rope		5095
1986	305/5.0L, 350/5.7L	
Seal Viton		4359V
Seal PTFE H/D Opt.		5274
Kwik Slv (Opt Rpr)		KWK99364
1985-1981	267/4.4L, 305/5.0, 350/5.7	
Seal		5092
1981-1976	265/4.3, 301/4.9, 350/5.7 (M) (P),	
Seal		5073
1980-1977	350/5.7L (R) (X)	
Seal		5591
1979-1961	350/5.7L, 403/6.6, 421/6.9, 428/7.0, 455/7.5	
Seal Rope		5095
1973-1972	350/5.7L (M) (N)	
Seal		5073
1966-1959	389/6.4L	
Seal		5073

TIMING COVER

6 Cylinder

1986	231/3.8L	
Seal Viton		710162
Kwik Slv (Opt Rpr)		KWK99193
1986-1985	262/4.3L	
Seal		9845
Kwik Slv (Opt Rpr)		KWK99176
Harmonic Balancer		
Sleeves		88176

TIMING COVER (cont.)

6 Cylinder (cont.)

1985-1977	231/3.8L	
Seal		710163
1983	229/3.8L	
Seal		9845
Kwik Slv (Opt Rpr)		KWK99176
Harmonic Balancer		
Sleeves		88176

8 Cylinder

1989-1980	307/5.0L, 350/5.7L, 350/5.7 diesel	
Seal		472082
Kwik Slv (Opt Rpr)		KWK99199
Harmonic Balancer		
Sleeves		88199
1986-1978	267/4.4L, 305/5.0L, 350/5.7L	
Seal		9845
Kwik Slv (Opt Rpr)		KWK99176
Harmonic Balancer		
Sleeves		88176
1981-1980	265/4.3L, 301/4.9	
Seal		332062
Kwik Slv (Opt Rpr)		KWK99186
Harmonic Balancer		
Sleeves		88186
1980	350/5.7L engine code (L)	
Seal		710173
Kwik Slv (Opt Rpr)		KWK99196
1979-1977	403/6.6L	
Seal		472082
Kwik Slv (Opt Rpr)		KWK99199
Harmonic Balancer		
Sleeves		88199
1979-1957	301/4.9, 350/5.7 (M) (N) (P), 370/6.1, 389/6.4, 421/6.9, 428/7.0, 455/7.5	
Seal		332062
Kwik Slv (Opt Rpr)		KWK99186
Harmonic Balancer		
Sleeves		88186
1971	350/5.7L engine code (L)	
Seal		472082
Kwik Slv (Opt Rpr)		KWK99199
Harmonic Balancer		
Sleeves		88199
1966-1959	394/6.5L	
Seal		473231
Kwik Slv (Opt Rpr)		KWK99162

Bearings and Seals

Mfg./Year Model & Location Part No Mfg./Year Model & Location Part No

PONTIAC - REAR DRIVE - Grand Am, Grand Prix, GTO, LeMans, Mid Size Bonneville, Tempest

FRONT WHEEL

1986-1982	Grand Prix	
Seal (inner)	8871[2]
Set (inner)	SET6
Set (outer)	SET34
1981-1979		
Seal (inner)	8871[2]
Set (inner)	SET6
Set (outer)	SET3
1978-1973		
Seal (inner)	8871[2]
Set (inner)	SET6
Set (outer)	SET2
1972-1968		
Seal (inner)	8705S[2]
Set (inner)	SET6
Set (outer)	SET2
1967	disc brakes	
Seal (inner)	8705S[2]
Set (inner)	SET6
Set (outer)	SET2
1967-1964	drum brakes	
Seal (inner)	7607[2]
Set (inner)	SET6
Set (outer)	SET2
1963-1961		
Seal (inner)	291295[2]
Set (inner)	SET6
Set (outer)	SET2

REAR WHEEL

1988-1978	7.5" ring gear	
Seal	8660S[2]
Cyl. Bearing	5707[2]
Kit	TRP1563TAV[2] ¹⁹
1977-1973	8.5" ring gear: C, G, K, W axles	
Seal	8660S[2]
Cyl. Bearing	5707[2]
Kit	TRP1563TAV[2] ¹⁹
1977-1973	8.5" ring gear: B, O axles	
Seal	712146[2]
Set	SET9
1977-1973	8.875" ring gear: M, P axles: Grand Prix, Wagon	
Seal	8835S[2]
Cyl. Bearing	6408[2]
Kit	TRP1559TV[2] ¹⁹
1972-1970	10-bolt housing cover	
Seal	712146[2]
Set	SET9
1972-1970	12-bolt housing cover	
Seal	8660S[2]
Cyl. Bearing	5707[2]
Kit	TRP1563TAV[2] ¹⁹
1970	early 1970	
Seal	8594S[2]
Bearing	RW507CR[2]
1969	Grand Prix	
Seal	8940S[2]
Bearing	RW507CR[2]

REAR WHEEL (cont.)

1969-1964	exc. Grand Prix	
Seal	8594S[2]
Bearing	RW507CR[2]
1968-1965	Grand Prix	
Seal	8940S[2]
Bearing	RW508BR[2]
1964-1963	Grand Prix	
Seal	450059[2]
Bearing	514003P[2]

REAR AXLE

Differential Rebuild Kit

1986-1980	7.5" ring gear: 3.125" inner pinion bearing OD	
Kit	DRK320
1986-1973	8.5" ring gear	
Kit	DRK321
1977	8.875" ring gear	
Kit	DRK323
1977-1973	8.75" ring gear	
Kit	DRK323

Differential

1988-1985	7.75" ring gear	
Cone/Cup	LM102949-LM102911[2]
1988-1972	7.5", 7.625", 8.5" ring gears: B, C, G, K, O axles	
Cone/Cup	LM501349-LM501314[2]
1981-1972	8.75", 8.875" ring gears: P, M axles	
Set	SET36
1971-1965	10-bolt housing cover	
Cone/Cup	LM501349-LM501314[2]
1971-1965	12-bolt housing cover	
Set	SET36
1965-1947		
Cone/Cup	25584-25520[2]

Pinion

1986-1982	7.5" ring gear	
Cone/Cup (inner)	HM89249-HM89210
Seal (outer)	8610
Cone/Cup (outer)	M86649-M86610
1981-1978	7.5" ring gear	
Cone/Cup (inner)	HM89449-HM89410
Seal (outer)	8610
Cone/Cup (outer)	M86649-M86610
1981-1973	8.5" ring gear	
Cone/Cup (inner)	M802048-M802011
Seal (outer)	2043
Cone/Cup (outer)	M88048-M88010
1981-1973	8.75" ring gear	
Cone/Cup (inner)	M802048-M802011
Seal (outer)	2043
Cone/Cup (outer)	M88048-M88010

482 [] Indicates Quantity Required; Set Components Listed Inside Rear Cover;

¹⁹ Opt. Axle Repair Bearing. Replaces O.E. bearing & seal.

**PONTIAC - REAR DRIVE - Grand Am, Grand Prix, GTO, LeMans, Mid Size
Bonneville, Tempest (cont.)**

REAR AXLE (cont.)

Pinion (cont.)

1976-1973	8.875" ring gear: Grand Prix and Wagon
	Cone/Cup (inner) M804049-M804010
	Seal (outer) 2043
	Cone/Cup (outer) M88048-M88010
1972	exc. Grand Prix
	Cone/Cup (inner) M802048-M802011
	Seal (outer) 2043
	Cone/Cup (outer) M88048-M88010
1972-1970	Grand Prix: 10-bolt housing cover
	Cone/Cup (inner) HM89449-HM89410
	Seal (outer) 2043
	Cone/Cup (outer) M88048-M88010
1972-1970	Grand Prix: 12-bolt housing cover
	Cone/Cup (inner) M802048-M802011
	Seal (outer) 8460N
	Cone/Cup (outer) M88048-M88010
1971-1970	exc. Grand Prix: 10-bolt housing cover
	Cone/Cup (inner) HM89449-HM89410
	Cone/Cup (outer) M86649-M86610
1971-1970	exc. Grand Prix: 12-bolt housing cover
	Cone/Cup (inner) M802048-M802011
	Seal (outer) 2043
	Cone/Cup (outer) M88048-M88010
1969-1966	Grand Prix: 10-bolt housing cover
	Cone/Cup (inner) HM89449-HM89410
	Seal (outer) 2043
	Cone/Cup (outer) M88048-M88010
1969-1964	exc. Grand Prix
	Cone/Cup (inner) HM89449-HM89410
	Seal (outer) 2043
	Cone/Cup (outer) M86649-M86610
1965	Grand Prix
	Cone/Cup (inner) HM89449-HM89410
	Cone/Cup (outer) M88048-M88010
1964-1963	Grand Prix: late 63 on
	Cone/Cup (inner) HM89449-HM89410
	Cone/Cup (outer) HM88649-HM88610
1963	Grand Prix: early year
	Cone/Cup (inner) HM804846-HM804810
	Cone/Cup (outer) HM89446-HM89410
1963-1961	exc. Grand Prix
	Cone/Cup (outer) M88048-M88010

AUTOMATIC TRANSMISSION

Torque Converter

1979-1964	
	Seal 6712NA
	Kwik Slv (Opt Rpr) KWK99187

Rear Seal/Ext. Housing

1972-1962	
	Seal 9613S
	Seal Kit 5200 ⁶⁴

3-SPEED AUTOMATIC TRANSMISSION

Torque Converter

1987-1977	THM200
	Seal 3227
	Kwik Slv (Opt Rpr) KWK99174
1984-1965	exc. THM200
	Seal 6712NA
	Kwik Slv (Opt Rpr) KWK99187
1964-1958	
	Seal 7018N

Rear Seal/Ext. Housing

1987-1972	exc. THM400
	Seal 9613S
	Seal Kit 5200 ⁶⁴
1977-1965	THM400: 1.890" shaft
	Seal 9449
	Kwik Slv (Opt Rpr) KWK99189
	Seal Kit 5208 ⁶⁴
1977-1965	THM400: 1.687" shaft
	Seal 7038SA
	Kwik Slv (Opt Rpr) KWK99168
	Seal Kit 5205 ⁶⁴
1964-1957	
	Seal 7038SA
	Seal Kit 5205 ⁶⁴

Selector Shaft Seal/Man. Shaft

1987-1965	
	Seal 8792S

4-SPEED AUTOMATIC TRANSMISSION

Torque Converter

1989-1983	
	Seal 3227
	Kwik Slv (Opt Rpr) KWK99174

Rear Seal/Ext. Housing

1989-1983	
	Seal 9613S
	Kwik Slv (Opt Rpr) KWK99149
	Seal Kit 5200 ⁶⁴

Selector Shaft Seal/Man. Shaft

1989-1983	
	Seal 8792S

CLUTCH

Pilot Bearing

1988-1963	Grand Prix: 8-cylinder
	Bearing 7109
1980-1978	301 engine
	Bearing 7109
1977-1965	exc. 6-cylinder and 305 8-cylinder engines
	Bearing 7109
1964-1961	
	Bearing 7109

[] Indicates Quantity Required; Set Components Listed Inside Rear Cover;
⁶⁴ Opt. Seal and Bushing Kit

Bearings and Seals

Mfg./Year Model & Location Part No Mfg./Year Model & Location Part No

PONTIAC - REAR DRIVE - Grand Am, Grand Prix, GTO, LeMans, Mid Size Bonneville, Tempest (cont.)

CLUTCH

Release Bearing

1981-1980	6-cylinder: 231A engine	
Bearing Assy	614018 ⁴²
1980-1978	8-cylinder: incl. 301W engine with M20 trans	
Bearing Assy	614018 ⁴²
1979-1978	6-cylinder	
Bearing Assy	614037 ⁴²
1977		
Bearing Assy	1377C
1976		
Bearing Assy	614037 ⁴²
1975	3-speed	
Bearing Assy	614037 ⁴²
1975-1966	1 bbl. carburetor	
Bearing Assy	614037 ⁴²
1975-1963	Grand Prix: exc. H/D clutch	
Bearing Assy	614037 ⁴²
1974-1968	2 bbl. carburetor	
Bearing Assy	614037 ⁴²
1974-1968	4 bbl. carburetor	
Bearing Assy	614018 ⁴²
1974-1963	Grand Prix: H/D clutch	
Bearing Assy	614018 ⁴²
1968-1966	6-cylinder: 4 bbl. carburetor	
Bearing Assy	614018 ⁴²
1968-1966	8-cylinder: exc. GTO	
Bearing Assy	614037 ⁴²
1968-1964	GTO	
Bearing Assy	614018 ⁴²
1965-1963	exc. GTO	
Bearing Assy	614037 ⁴²

3-SPEED MANUAL TRANSMISSION

Transmission Rebuild Kit

1987-1966	SM326 Saginaw: 76mm shaft	
Kit	TRK301

Front Input Shaft

1979-1966	Saginaw	
Seal	7412S
Bearing	207SLB
Kwik Slv (Opt Rpr)	KWK99125
1974-1970	SM330 Muncie: H/D	
Seal	7412S
Bearing	307L
Kwik Slv (Opt Rpr)	KWK99125
1971-1964	Tremac	
Seal	482208
Bearing	208LO
Kwik Slv (Opt Rpr)	KWK99112
1965-1964	SM318, SM319: with overdrive	
Seal	7412S
Bearing	1207SLB
Kwik Slv (Opt Rpr)	KWK99125

3-SPEED MANUAL TRANSMISSION

(cont.)

Front Input Shaft (cont.)

1965-1964	SM318, SM319: exc. overdrive	
Seal	7412S
Bearing	207SLB
Kwik Slv (Opt Rpr)	KWK99125
1957-1946		
Bearing	207SL

Rear Output Shaft

1979-1966	Saginaw	
Seal	9613S
Bearing	306SLVB
Seal Kit	5200 ⁶⁴
1974-1970	SM330 Muncie: H/D	
Seal	9613S
Bearing	307L
1971-1964	Tremac	
Seal	9613S
Bearing	207L
Seal Kit	5200 ⁶⁴
1965-1964	SM318, SM319	
Seal	9613S
Bearing	306LO
Seal Kit	5200 ⁶⁴

Selector Shaft Seal/Man. Shaft

1979-1966		
Seal	240735
Kwik Slv (Opt Rpr)	KWK99076
1957-1946		
Seal	340724

4-SPEED MANUAL TRANSMISSION

Input Shaft

1979-1966	Saginaw: 76mm shaft	
Seal	7412S
Bearing	207SLB
Kwik Slv (Opt Rpr)	KWK99125
1975-1974	Warner	
Seal	7412S
Bearing	1307SL
Kwik Slv (Opt Rpr)	KWK99125
1974-1964	Muncie	
Seal	7412S
Bearing	N1307L
Kwik Slv (Opt Rpr)	KWK99125

Rear Output Shaft

1979-1966	Saginaw: 76mm shaft	
Seal	9613S
Bearing	306SLVB
1975-1974	Warner	
Seal	472572
Bearing	1307L
Seal Kit	5200 ⁶⁴

484 [] Indicates Quantity Required; Set Components Listed Inside Rear Cover;

⁴² Sealed Self-Aligning Bearing ⁶⁴ Opt. Seal and Bushing Kit

**PONTIAC - REAR DRIVE - Grand Am, Grand Prix, GTO, LeMans, Mid Size
Bonneville, Tempest (cont.)**

4-SPEED MANUAL TRANSMISSION

(cont.)

Rear Output Shaft (cont.)

1974-1964	Muncie: 83mm 32-spline shaft	
Seal		9449
Bearing		308L
Seal Kit		5208 ⁶⁴
1974-1964	Muncie: 83mm 27-spline shaft	
Seal		9613S
Bearing		308L
Seal Kit		5200 ⁶⁴

Selector Shaft Seal/Man. Shaft

1979-1966	Saginaw: 76mm shaft	
Seal		240735
Kwik Slv (Opt Rpr)		KWK99076
1975-1974	Warner	
Seal		7399S
Kwik Slv (Opt Rpr)		KWK99062

AUTOMATIC TRANSAXLE

Tempestorque

1969-1960	Front Pump (Tempest)	
Seal		451169N
1969-1960	Differential (Tempest)	
Seal		471707N[2]
Set		SET37[2]
1969-1960	Pinion (Tempest)	
Seal		471193N
Cone/Cup		M88048-M88010

3-SPEED MANUAL TRANSAXLE

Input Shaft

1969-1965	Input Shaft (Tempest)	
Bearing		207SLB
1964-1960	Input Shaft (Tempest)	
Cone		43207C

Output Shaft

1969-1965	Output Shaft (Tempest)	
Bearing		207SL1
1964-1960	Output Shaft (Tempest)	
Bearing		206SL

Differential

1969-1960	Differential (Tempest)	
Seal		471707N[2]
Set		SET37[2]

Pinion

1969-1960	Pinion (Tempest)	
Cone/Cup		M88048-M88010

3-SPEED MANUAL TRANSAXLE

Selector Shaft Seal/Man. Shaft

1969-1960	Shift Shaft (Tempset)	
Seal		472705

4-SPEED MANUAL TRANSAXLE

Differential

1969-1960	Differential (Tempest)	
Seal		471707N[2]
Set		SET37[2]

Input Shaft

1969-1966	Input Shaft (Tempest)	
Bearing		207SLB
1965-1964	Input Shaft (Tempest)	
Bearing		1207SLB
1963-1961	Input Shaft (Tempest)	
Cone		43207C

Output Shaft

1969-1966	Output Shaft (Tempest)	
Bearing		207SL1[2]
1965-1961	Output Shaft(Tempest): 2nd design	
Bearing		207SL[2]
1961	Output Shaft (Tempest): 1st design	
Cone		43207C

Pinion

1969-1961	Pinion (Tempest)	
Cone/Cup		M88048-M88010

Selector Shaft Seal/Man. Shaft

1969-1961	Shift Shaft (Tempest)	
Seal		472705

POWER STEERING

Pitman Shaft

1987-1982		
Seal Kit		PSK1 ²⁴
1981-1980	800 Gear with 4 bolt side cover	
Seal (inner)		471413
Seal (outer)		7412S
Seal Kit		PSK1 ²⁴
1981-1980	605 Gear with round side cover	
Seal		710285

Pump Shaft

1987-1980		
Seal		7013S

[] Indicates Quantity Required; Set Components Listed Inside Rear Cover;

²⁴ Opt. Kit incl. seals 5683 & 5684. Not sold separately

⁶⁴ Opt. Seal and Bushing Kit

Bearings and Seals

Mfg./Year Model & Location Part No Mfg./Year Model & Location Part No

PONTIAC - REAR DRIVE - Grand Am, Grand Prix, GTO, LeMans, Mid Size Bonneville, Tempest (cont.)

POWER STEERING

Worm Shaft

1987-1980
Seal 222025

MANUAL STEERING

Pitman Shaft

1979-1964
Seal 313842

Worm Shaft

1979-1964
Seal 474131
Bearing 8537[2]

CRANKSHAFT REAR SEAL

6 Cylinder

1987-1986 262/4.3L
Seal Viton4359V
Kwik Slv (Opt Rpr)KWK99364
Seal PTFE H/D Opt. 5274
1987-1977 231/3.8L, 252/4.1L
Seal 5591
Seal PTFE H/D Opt. 5291
1981-1980 229/3.8L
Seal 5092
1967-1963 250/4.1L
Seal 5092

8 Cylinder

1989-1980 350/5.7L Diesel
Seal Rope5095
1987-1986 305/5.0L, 350/5.7L
Seal Viton4359V
Seal PTFE H/D Opt. 5274
Kwik Slv (Opt Rpr)KWK99364
1985-1980 267/4.4L, 305/5.0L
Seal 5092
1981-1980 265/4.3L, 301/4.9
Seal 5073
1979-1977 305/5.0L, 350/5.7L (L)
Seal 5092
1979-1970 301/4.9, 350/5.7 (M) (N) (P)
Seal 5073
1977-1975 350/5.7L engine code (H), (J), &
(R)
Seal 5591
1977-1970 260/4.3, 350/5.7, 403/6.6, 455/7.5
Seal Rope 5095
1972-1971 307/5.0L
Seal 5092
1967-1963 326/5.3L, 389/6.4L
Seal 5073
1966-1959 389/6.4L
Seal 5073

TIMING COVER

6 Cylinder

1987-1986 231/3.8L
Seal Viton 710162
Kwik Slv (Opt Rpr)KWK99193
1987-1986 262/4.3L
Seal 9845
Kwik Slv (Opt Rpr)KWK99176
Harmonic Balancer
Sleeves 88176
1985-1980 231/3.8L
Seal 710163
1983-1982 252/4.1L
Seal 471424
Kwik Slv (Opt Rpr)KWK99199
Harmonic Balancer
Sleeves 88199
1981-1980 229/3.8L
Seal 9845
Kwik Slv (Opt Rpr)KWK99176
Harmonic Balancer
Sleeves 88176
1976-1964 215/3.5L, 230/3.8, 250/4.1
Seal 9845
Kwik Slv (Opt Rpr)KWK99176
Harmonic Balancer
Sleeves 88176

8 Cylinder

1987-1977 267/4.4, 305/5.0L, 350/5.7L (L)
Seal 9845
Kwik Slv (Opt Rpr)KWK99176
Harmonic Balancer
Sleeves 88176
1984-1981 350/5.7L Diesel
Seal 472082
Kwik Slv (Opt Rpr)KWK99199
Harmonic Balancer
Sleeves 88199
1981-1980 265/4.3L, 301/4.9
Seal 332062
Kwik Slv (Opt Rpr)KWK99186
Harmonic Balancer
Sleeves 88186
1979-1970 301/4.9, 350/5.7 (M) (N) (P),
370/6.1, 389/6.4, 421/6.9,
428/7.0, 455/7.5
Seal 332062
Kwik Slv (Opt Rpr)KWK99186
Harmonic Balancer
Sleeves 88186
1977-1975 260/4.3, 403/6.6
Seal 472082
Kwik Slv (Opt Rpr)KWK99199
Harmonic Balancer
Sleeves 88199
1976-1975 350/5.7L engine code (J)
Seal 710173
Kwik Slv (Opt Rpr)KWK99196

**PONTIAC - REAR DRIVE - Grand Am, Grand Prix, GTO, LeMans, Mid Size
Bonneville, Tempest (cont.)**

TIMING COVER (cont.)

8 Cylinder (cont.)

1971	350/5.7L engine code (L)	
Seal	472082
Kwik Slv (Opt Rpr)	KWK99199
Harmonic Balancer		
Sleeves	88199
1967-1963	326/5.3L, 389/6.4L	
Seal	332062
Kwik Slv (Opt Rpr)	KWK99186
Harmonic Balancer		
Sleeves	88186

PONTIAC - REAR DRIVE - Fiero

FRONT WHEEL

1988		
Hub Assy	513040[2] ¹⁶
1987-1984		
Seal (inner)	3357[2]
Set (inner)	SET4
Set (outer)	SET1

REAR WHEEL

1988-1984		
Hub Assy	513011K[2] ⁶¹

CLUTCH

Pilot Bearing

1988-1984	151/2.5L	
Bushing	PB650

Release Bearing

1988-1986	5-speed: 6-cylinder	
Bearing Assy	614069
1988-1985	5-speed: 4-cylinder	
Bearing Assy	614108
1986-1984	4-speed	
Bearing Assy	614009

3-SPEED AUTOMATIC TRANSAXLE

Torque Converter

1988-1984		
Seal	4072N

Output Shaft

1988-1984		
Seal	3543[2]
Kwik Slv (Opt Rpr)	KWK99139[2]
Seal Kit	PSK1[2] ²⁴

3-SPEED AUTOMATIC TRANSAXLE

Selector Shaft Seal/Man. Shaft

1988-1984		
Seal	8792S

4-SPEED MANUAL TRANSAXLE

Differential

1986-1984		
Set	SET11

Input Shaft

1986-1984		
Seal (front)	3732S
Set (front)	SET4
Kwik Slv (Opt Rpr)	KWK99106
Cone/Cup (rear)	15101-15245

Output Shaft

1986-1984		
Set (LH)	SET5
Cone/Cup (RH)	15101-15245
Seal	3543[2]
Kwik Slv (Opt Rpr)	KWK99139[2]

Selector Shaft Seal/Man. Shaft

1986-1984		
Seal	3667

5-SPEED MANUAL TRANSAXLE

Differential

1988-1986	Getrag	
Set	SET11
1988-1985	Isuzu	
Bearing Assy	32008XM[2]

Input Shaft

1988-1986	Getrag	
Bearing	305DD

[] Indicates Quantity Required; Set Components Listed Inside Rear Cover;

¹⁶ Check for availability, while supplies last ²⁴ Opt. Kit incl. seals 5683 & 5684. Not sold separately 61
Kit incl: Seal, Hub Nut, and Bearing Unit

Bearings and Seals

Mfg./Year Model & Location Part No Mfg./Year Model & Location Part No

PONTIAC - REAR DRIVE - Fiero (cont.)

5-SPEED MANUAL TRANSAXLE (cont.)

Input Shaft (cont.)

1988-1985	Isuzu	
Seal (front)	222835
Bearing Assy (front)	32206M
Kwik Slv (Opt Rpr)	KWK99111
Bearing Assy (rear)	30306M

Output Shaft

1988-1986	Getrag	
Seal	3543[2]
Kwik Slv (Opt Rpr)	KWK99139[2]
1988-1985	Isuzu	
Seal	3543[2]
Kwik Slv (Opt Rpr)	KWK99139
Bearing Assy (RH)	32206M
Set (LH)	SET5

Selector Shaft Seal/Man. Shaft

1988-1985		
Seal	3667

CRANKSHAFT REAR SEAL

4 Cylinder

1988-1984	151/2.5L	
Seal	3698

CRANKSHAFT REAR SEAL

6 Cylinder

1988-1985	173/2.8L 2nd design	
Seal	4307V
Seal PTFE H/D Opt.	5273
Kwik Slv (Opt Rpr)	KWK99298
1985	173/2.8L 1st design	
Seal	5210

TIMING COVER

4 Cylinder

1988-1984	151/2.5L	
Seal	9845
Kwik Slv (Opt Rpr)	KWK99176
Harmonic Balancer		
Sleeves	88176

6 Cylinder

1988-1985	173/2.8L	
Seal	9845
Kwik Slv (Opt Rpr)	KWK99176
Harmonic Balancer		
Sleeves	88176

PONTIAC - REAR DRIVE - Firebird, Formula, Trans-Am, GTA

FRONT WHEEL

1989-1988	Performance Pkg, Trans Am, GTA	
Seal (inner)	8871[2]
Set (inner)	SET6
Set (outer)	SET3
1989-1988	exc. Performance Pkg, Trans Am, GTA	
Seal (inner)	8871[2]
Set (inner)	SET6
Set (outer)	SET34
1987-1982		
Seal (inner)	8871[2]
Set (inner)	SET6
Set (outer)	SET34
1981-1979		
Seal (inner)	8871[2]
Set (inner)	SET6
Set (outer)	SET3
1978-1970		
Seal (inner)	8871[2]
Set (inner)	SET6
Set (outer)	SET2
1969-1968	drum brakes	
Seal (inner)	8705S[2]
Set (inner)	SET6
Set (outer)	SET2

FRONT WHEEL (cont.)

1969-1967	disc brakes	
Seal (inner)	8705S[2]
Set (inner)	SET6
Set (outer)	SET2
1967	drum brakes	
Seal (inner)	7607[2]
Set (inner)	SET6
Set (outer)	SET2

REAR WHEEL

1989-1970	exc. 7.75" ring gear	
Seal	8660S[2]
Cyl. Bearing	5707[2]
Kit	TRP1563TAV[2] ¹⁹
1989-1985	7.75" ring gear	
Set	SET9[2]
Seal (RH)	710179
Seal (LH)	224255
1969-1967		
Seal	8594S[2]
Bearing	RW507CR[2]

REAR AXLE

Differential Rebuild Kit

1987-1982	7.5", 7.625" ring gears	
Kit	DRK320

488 [] Indicates Quantity Required; Set Components Listed Inside Rear Cover;

¹⁹ Opt. Axle Repair Bearing. Replaces O.E. bearing & seal.

PONTIAC - REAR DRIVE - Firebird, Formula, Trans-Am, GTA (cont.)

REAR AXLE (cont.)

Differential Rebuild Kit (cont.)

1981-1973 8.5" ring gear
 KitDRK321

Differential

1989-1972 7.5", 7.625", 8.5" ring gears: B, C,
 G, K, O axles
 Cone/CupLM501349-LM501314[2]
 1989-1985 7.75" ring gear
 SetSET47
 1981-1972 8.75", 8.875" ring gears: P, M
 axles
 SetSET36
 1971-1967 10-bolt housing cover
 Cone/CupLM501349-LM501314[2]
 1971-1967 12-bolt housing cover
 SetSET36

Pinion

1989-1982 7.5", 7.625" ring gears
 Cone/Cup (inner)HM89249-HM89210
 Seal (outer)8610
 Cone/Cup (outer)M86649-M86610
 1989-1985 7.75" ring gear
 Cone/Cup (inner)HM89446-HM89410
 Seal (outer)7457N
 Cone/Cup (outer)M86649-M86610
 1981-1972 8.5" ring gear
 Cone/Cup (inner)M802048-M802011
 Seal (outer)2043
 Cone/Cup (outer)M88048-M88010
 1981-1972 8.75" ring gear
 Cone/Cup (inner)M802048-M802011
 Seal (outer)2043
 Cone/Cup (outer)M88048-M88010
 1971-1970 10-bolt housing cover
 Cone/Cup (inner)M804049-M804010
 Seal (outer)8611N
 Cone/Cup (outer)M88048-M88010
 1971-1970 12-bolt housing cover
 Cone/Cup (inner)M802048-M802011
 Seal (outer)8460N
 Cone/Cup (outer)M88048-M88010
 1969-1967
 Cone/Cup (inner)HM89449-HM89410
 Seal (outer)2043
 Cone/Cup (outer)M86649-M86610

AUTOMATIC TRANSMISSION

Torque Converter

1972-1967
 Seal6712NA
 Kwik Slv (Opt Rpr)KWK99187

AUTOMATIC TRANSMISSION

Rear Seal/Ext. Housing

1972-1967
 Seal9613S
 Seal Kit5200⁶⁴

3-SPEED AUTOMATIC TRANSMISSION

Torque Converter

1989-1980 THM200
 Seal3227
 Kwik Slv (Opt Rpr)KWK99174
 1981-1965 exc. THM200
 Seal6712NA
 Kwik Slv (Opt Rpr)KWK99187

Rear Seal/Ext. Housing

1989-1969 exc. THM400
 Seal9613S
 Seal Kit5200⁶⁴
 1976-1969 THM400: 1.890" shaft
 Seal9449
 Kwik Slv (Opt Rpr)KWK99189
 Seal Kit5208⁶⁴
 1976-1969 THM400: 1.687" shaft
 Seal7038SA
 Kwik Slv (Opt Rpr)KWK99168
 Seal Kit5205⁶⁴

Selector Shaft Seal/Man. Shaft

1989-1967
 Seal8792S

4-SPEED AUTOMATIC TRANSMISSION

Torque Converter

1989-1983
 Seal3227
 Kwik Slv (Opt Rpr)KWK99174

Rear Seal/Ext. Housing

1989-1983
 Seal9613S
 Kwik Slv (Opt Rpr)KWK99149
 Seal Kit5200⁶⁴

Selector Shaft Seal/Man. Shaft

1989-1983
 Seal8792S

CLUTCH

Pilot Bearing

1989-1982 6-cylinder
 Bushing H/DPB652HD
 1989-1980 8-cylinder
 Bushing H/DPB656HD
 1986-1982 4-cylinder
 Bushing H/DPB656HD
 1981-1967 6-cylinder
 Bushing H/DPB656HD

[] Indicates Quantity Required; Set Components Listed Inside Rear Cover;
⁶⁴ Opt. Seal and Bushing Kit

Bearings and Seals

Mfg./Year Model & Location Part No Mfg./Year Model & Location Part No

PONTIAC - REAR DRIVE - Firebird, Formula, Trans-Am, GTA (cont.)

CLUTCH (cont.)

Pilot Bearing (cont.)

1979-1967 8-cylinder
Bearing 7109

CLUTCH - 4 CYLINDER

Release Bearing

1986-1985 151/2.5L
Bearing Assy 614083
1984-1982 151/2.5L
Bearing Assy 614018⁴²

CLUTCH - 6 CYLINDER

Release Bearing

1989-1985 173/2.8L, 189/3.1L, 231/3.8L,
207/3.4L
Bearing Assy 614083
1984-1979 173/2.8L, 231/3.8L
Bearing Assy 614018⁴²
1978-1977 231/3.8L (Cone Diaph)
Bearing Assy 1377C
1978-1977 231/3.8L (Flat Diaph)
Bearing Assy 614037⁴²
1976-1970 250/4.1L
Bearing Assy 614018⁴²
1969-1967 230/3.8L, 250/4.1L (10" clutch)
Bearing Assy 614037⁴²
1969-1967 230/3.8L, 250/4.1L (10.5" clutch)
Bearing Assy 614018⁴²

CLUTCH - 8 CYLINDER

Release Bearing

1989-1985 305/5.0L
Bearing Assy 614083
1984-1979 305/5.0L
Bearing Assy 614018⁴²
1979-1967 301/4.9L, 326/5.3L, 350/5.7L (L),
400/6.6L, 403/6.6L, 455/7.5L
Bearing Assy 614018⁴²
1978-1977 305/5.0L
Bearing Assy 614037⁴²
1977-1968 350/5.7L 4bbl carb
Bearing Assy 614018⁴²
1977-1968 350/5.7L 2bbl carb (exc. Vin
Code L)
Bearing Assy 614037⁴²

3-SPEED MANUAL TRANSMISSION

Transmission Rebuild Kit

1981-1967 Saginaw
Kit TRK301

3-SPEED MANUAL TRANSMISSION

Front Input Shaft

1981-1967 Saginaw
Seal 7412S
Bearing 207SLB
Kwik Slv (Opt Rpr) KWK99125
1974-1970 Muncie
Seal 7412S
Bearing 307L
Kwik Slv (Opt Rpr) KWK99125
1969-1967 Tremac
Seal 482208
Bearing 208LO
Kwik Slv (Opt Rpr) KWK99112
1967 Warner
Seal 7412S
Bearing 307L
Kwik Slv (Opt Rpr) KWK99125

Rear Output Shaft

1981-1980 Saginaw
Seal 9613S
Bearing 1306SLVB
Seal Kit 5200⁶⁴
1979-1967 Saginaw
Seal 9613S
Bearing 306SLVB
Seal Kit 5200⁶⁴
1974-1970 Muncie
Seal 9613S
Bearing 307L
Seal Kit 5200⁶⁴
1969-1967 Tremac
Seal 9613S
Bearing 207L
Seal Kit 5200⁶⁴
1967 Warner
Seal 9613S
Bearing 1307L
Seal Kit 5200⁶⁴

Selector Shaft Seal/Man. Shaft

1981-1967
Seal 240735

4-SPEED MANUAL TRANSMISSION

Input Shaft

1984-1983 Warner
Seal 7412S
Set SET5
Kwik Slv (Opt Rpr) KWK99125
Needle Bearing Thrust FA55505
1984-1980 Saginaw
Seal 7412S
Bearing 207SLB
Kwik Slv (Opt Rpr) KWK99125
1982-1980 Warner
Seal 7412S
Bearing 1307SL
Kwik Slv (Opt Rpr) KWK99125

490 [] Indicates Quantity Required; Set Components Listed Inside Rear Cover;

⁴² Sealed Self-Aligning Bearing ⁶⁴ Opt. Seal and Bushing Kit

PONTIAC - REAR DRIVE - Firebird, Formula, Trans-Am, GTA (cont.)

**4-SPEED MANUAL TRANSMISSION
(cont.)**

Input Shaft (cont.)

1975-1967	Muncie	
Seal	7412S
Bearing	N1307L
Kwik Slv (Opt Rpr)	KWK99125

Rear Output Shaft

1984-1983	Warner	
Seal	9613S
Cone/Cup	25877-25821
Seal Kit	5200 ⁶⁴
1984-1967	Saginaw	
Seal	9613S
Bearing	306SLVB
Seal Kit	5200 ⁶⁴
1982-1974	Warner 32 spline	
Seal	472572
Bearing	1307L
1975-1967	Muncie 27-spline	
Seal	9613S
Bearing	308L
Seal Kit	5200 ⁶⁴
1975-1967	Muncie 32-spline	
Seal	9449
Bearing	308L
Seal Kit	5208 ⁶⁴

Selector Shaft Seal/Man. Shaft

1984-1974	Warner	
Seal	7399S
Kwik Slv (Opt Rpr)	KWK99062
1984-1967	Saginaw	
Seal	240735
Kwik Slv (Opt Rpr)	KWK99076

5-SPEED MANUAL TRANSMISSION

Front Input Shaft

1989-1982		
Seal	7412S
Set	SET5
Kwik Slv (Opt Rpr)	KWK99125
Needle Bearing Thrust	FA55505

Countershaft

1989-1988		
Cone/Cup (front)	LM67048-LM67010BCE
Cone/Cup (rear)	LM67048-LM67010
Needle Bearing Thrust	NTA1423
1987-1982		
Needle Bearing (front)	DK55836
Cyl. Bearing (rear)	5707
Needle Bearing Thrust	NTA1423

5-SPEED MANUAL TRANSMISSION

Rear Output Shaft

1989-1988		
Seal	9613S
Cone/Cup	25877-25821
Seal Kit	5200 ⁶⁴

ALTERNATOR

1989-1983	AC-Delco	
Bearing (drive end)	203FF
1982-1971	AC-Delco	
Bearing (drive end)	203S

POWER STEERING

Pitman Shaft

1987-1982		
Seal Kit	PSK1 ²⁴
1981-1980	800 Gear with 4 bolt side cover	
Seal (inner)	471413
Seal (outer)	7412S
Seal Kit	PSK1 ²⁴
1981-1980	605 Gear with round side cover	
Seal	710285

Pump Shaft

1987-1980		
Seal	7013S

Worm Shaft

1987-1980		
Seal	222025

MANUAL STEERING

Pitman Shaft

1979-1964		
Seal	313842

Worm Shaft

1979-1964		
Seal	474131
Bearing	8537[2]

CRANKSHAFT REAR SEAL

4 Cylinder

1986-1982	151/2.5L	
Seal	3698

6 Cylinder

1989-1985	173/2.8L 2nd design	
Seal	4307V
Kwik Slv (Opt Rpr)	KWK99298
Seal PTFE H/D Opt.	5273
1989	231/3.8L	
Seal	5591
Seal PTFE H/D Opt.	5291
1984-1982	173/2.8L 1st design	
Seal	5210

[] Indicates Quantity Required; Set Components Listed Inside Rear Cover;

²⁴ Opt. Kit incl. seals 5683 & 5684. Not sold separately

⁶⁴ Opt. Seal and Bushing Kit

Bearings and Seals

Mfg./Year Model & Location Part No Mfg./Year Model & Location Part No

PONTIAC - REAR DRIVE - Firebird, Formula, Trans-Am, GTA (cont.)

CRANKSHAFT REAR SEAL (cont.)

6 Cylinder (cont.)

1981-1977	231/3.8L	
Seal	5591
Seal PTFE H/D Opt.	5291
1976-1968	250/4.1L	
Seal	5092

8 Cylinder

1989-1986	305/5.0L, 350/5.7L	
Seal Viton	4359V
Kwik Slv (Opt Rpr)	KWK99364
Seal PTFE H/D Opt.	5274
1985-1980	305/5.0L	
Seal	5092
1979-1976	301/4.9, 350/5.7 (M) (P),	
Seal	5073
1979-1976	265/4.3L, 301/4.9	
Seal	5073
1979-1969	403/6.6L, 455/7.5	
Seal Rope	5095
1977-1975	350/5.7L (H) (R)	
Seal	5591
1975-1967	326/5.3L, 350/5.7 (M) (N) (P), 400/6.6	
Seal	5591

TIMING COVER

4 Cylinder

1986-1982		
Seal	9845
Kwik Slv (Opt Rpr)	KWK99176
Harmonic Balancer		
Sleeves	88176

6 Cylinder

1989	231/3.8L	
Seal Viton	710162
Kwik Slv (Opt Rpr)	KWK99193
1989-1982	173/2.8L, 189/3.1L, 207/3.4L	
Seal	9845
Kwik Slv (Opt Rpr)	KWK99176
Harmonic Balancer		
Sleeves	88176
1981-1977	231/3.8L	
Seal	710163

TIMING COVER (cont.)

6 Cylinder (cont.)

1976-1967	230/3.8L, 250/4.1L	
Seal	9845
Kwik Slv (Opt Rpr)	KWK99176
Harmonic Balancer		
Sleeves	88176

8 Cylinder

1989-1980	305/5.0L, 350/5.7L	
Seal	9845
Kwik Slv (Opt Rpr)	KWK99176
Harmonic Balancer		
Sleeves	88176
1981-1980	265/4.3L, 301/4.9	
Seal	332062
Kwik Slv (Opt Rpr)	KWK99186
Harmonic Balancer		
Sleeves	88186
1979-1977	301/4.9, 350/5.7 (M) (P), 455/7.5	
Seal	332062
Kwik Slv (Opt Rpr)	KWK99186
Harmonic Balancer		
Sleeves	88186
1979-1977	305/5.0L, 350/5.7L (L)	
Seal	9845
Kwik Slv (Opt Rpr)	KWK99176
Harmonic Balancer		
Sleeves	88176
1979-1977	403/6.6L	
Seal	472082
Kwik Slv (Opt Rpr)	KWK99199
Harmonic Balancer		
Sleeves	88199
1976-1967	326/5.3L, 350/5.7, 400/6.6, 455/7.4	
Seal	332062
Kwik Slv (Opt Rpr)	KWK99186
Harmonic Balancer		
Sleeves	88186

PONTIAC - REAR DRIVE - Phoenix, Ventura II

FRONT WHEEL

1979		
Seal (inner)	8871[2]
Set (inner)	SET6
Set (outer)	SET3
1978-1975		
Seal (inner)	8871[2]
Set (inner)	SET6
Set (outer)	SET2

FRONT WHEEL (cont.)

1974-1971		
Seal (inner)	8705S[2]
Set (inner)	SET6
Set (outer)	SET2

PONTIAC - REAR DRIVE - Phoenix, Ventura II (cont.)

REAR WHEEL

1979-1975
 Seal 8660S[2]
 Cyl. Bearing 5707[2]
 Kit TRP1563TAV[2]¹⁹

REAR AXLE

Differential Rebuild Kit

1979-1973 8.5" ring gear
 Kit DRK321
1977 8.875" ring gear
 Kit DRK323
1977-1973 8.75" ring gear
 Kit DRK323

Differential

1979-1971 7.5", 8.125", 8.5" ring gears
 Cone/Cup LM501349-LM501314[2]
1977-1973 8.75", 8.875" ring gears
 Set SET36

Pinion

1979-1977 8.5", 8.75", 8.875" ring gears
 Cone/Cup (inner) M802048-M802011
 Seal (outer) 2043
 Cone/Cup (outer) M88048-M88010
1979-1976 7.5" ring gear
 Cone/Cup (inner) HM89449-HM89410
 Seal (outer) 8610
 Cone/Cup (outer) M86649-M86610
1975-1972
 Cone/Cup (inner) M802048-M802011
 Seal (outer) 2043
 Cone/Cup (outer) M88048-M88010
1971
 Cone/Cup (inner) HM89449-HM89410
 Seal (outer) 8611N
 Cone/Cup (outer) M86649-M86610

3-SPEED AUTOMATIC TRANSMISSION

Torque Converter

1979-1976 THM200
 Seal 3227
 Kwik Slv (Opt Rpr) KWK99174
1979-1971 exc. THM200
 Seal 6712NA
 Kwik Slv (Opt Rpr) KWK99187

Rear Seal/Ext. Housing

1979-1971
 Seal 9613S
 Seal Kit 5200⁶⁴

3-SPEED AUTOMATIC TRANSMISSION

Selector Shaft Seal/Man. Shaft

1979-1971
 Seal 8792S

3-SPEED MANUAL TRANSMISSION

Transmission Rebuild Kit

1979-1971 SM326 Saginaw: 76mm shaft
 Kit TRK301

Front Input Shaft

1979-1971 Saginaw
 Seal 7412S
 Bearing 207SLB
 Kwik Slv (Opt Rpr) KWK99125
1974-1971 SM330 Muncie: H/D
 Seal 7412S
 Bearing 307L
 Kwik Slv (Opt Rpr) KWK99125
1971-1961 Tremac
 Seal 482208
 Bearing 208LO
 Kwik Slv (Opt Rpr) KWK99112

Rear Output Shaft

1979-1971 Saginaw
 Seal 9613S
 Bearing 306SLVB
 Seal Kit 5200⁶⁴
1974-1971 SM330 Muncie: H/D
 Seal 9613S
 Bearing 307L
1971 Tremac
 Seal 9613S
 Bearing 207L
 Seal Kit 5200⁶⁴

Selector Shaft Seal/Man. Shaft

1979-1971
 Seal 240735
 Kwik Slv (Opt Rpr) KWK99076

4-SPEED MANUAL TRANSMISSION

Input Shaft

1979-1971 Saginaw: 76mm shaft
 Seal 7412S
 Bearing 207SLB
 Kwik Slv (Opt Rpr) KWK99125
1975-1974 Warner
 Seal 7412S
 Bearing 1307SL
 Kwik Slv (Opt Rpr) KWK99125
1974-1971 Muncie
 Seal 7412S
 Bearing N1307L
 Kwik Slv (Opt Rpr) KWK99125

[] Indicates Quantity Required; Set Components Listed Inside Rear Cover;

¹⁹ Opt. Axle Repair Bearing. Replaces O.E. bearing & seal.

⁶⁴ Opt. Seal and Bushing Kit

Bearings and Seals

Mfg./Year Model & Location Part No Mfg./Year Model & Location Part No

PONTIAC - REAR DRIVE - Phoenix, Ventura II (cont.)

4-SPEED MANUAL TRANSMISSION

Rear Output Shaft

1979-1971	Saginaw: 76mm shaft	
Seal		9613S
Bearing		306SLVB
1975-1974	Warner	
Seal		472572
Bearing		1307L
Seal Kit		5200 ⁶⁴
1974-1971	Muncie: 83mm 32-spline shaft	
Seal		9449
Bearing		308L
Seal Kit		5208 ⁶⁴
1974-1971	Muncie: 83mm 27-spline shaft	
Seal		9613S
Bearing		308L
Seal Kit		5200 ⁶⁴

Selector Shaft Seal/Man. Shaft

1979-1971	Saginaw: 76mm shaft	
Seal		240735
Kwik Slv (Opt Rpr)		KWK99076
1975-1974	Warner	
Seal		7399S
Kwik Slv (Opt Rpr)		KWK99062

ALTERNATOR

1979-1971	AC-Delco	
Bearing (drive end)		203S
Bearing (rear end)		MNJ471S

CRANKSHAFT REAR SEAL

4 Cylinder

1979-1977	151/2.5L	
Seal		3698

6 Cylinder

1979-1977	231/3.8L	
Seal		5591
1976-1971	250/4.1L	
Seal		5092

8 Cylinder

1979-1972	350/5.7L	
Seal		5073
1979-1971	305/5.0L, 307/5.0L	
Seal		5092
1977	301/4.9	
Seal		5073

CRANKSHAFT REAR SEAL (cont.)

8 Cylinder (cont.)

1976-1975	260/4.3	
Seal Rope		5095

TIMING COVER

4 Cylinder

1979-1977	151/2.5L	
Seal		9845
Kwik Slv (Opt Rpr)		KWK99176
Harmonic Balancer		
Sleeves		88176

6 Cylinder

1979-1977	231/3.8L	
Seal		710163
1976-1971	250/4.1L	
Seal		9845
Kwik Slv (Opt Rpr)		KWK99176
Harmonic Balancer		
Sleeves		88176

8 Cylinder

1979-1972	350/5.7L (M) (N) (P)	
Seal		332062
Kwik Slv (Opt Rpr)		KWK99186
Harmonic Balancer		
Sleeves		88186
1979-1971	305/5.0L, 307/5.0L	
Seal		9845
Kwik Slv (Opt Rpr)		KWK99176
Harmonic Balancer		
Sleeves		88176
1977	301/4.9	
Seal		332062
Kwik Slv (Opt Rpr)		KWK99186
Harmonic Balancer		
Sleeves		88186
1977-1975	260/4.3, 403/6.6	
Seal		472082
Kwik Slv (Opt Rpr)		KWK99199
Harmonic Balancer		
Sleeves		88199

494 [] Indicates Quantity Required; Set Components Listed Inside Rear Cover;

⁶⁴ Opt. Seal and Bushing Kit

PONTIAC - REAR DRIVE - T1000

FRONT WHEEL

1987-1981

Seal (inner)	3357[2]
Set (inner)	SET4
Set (outer)	SET1

REAR WHEEL

1987-1981

Seal	3348[2]
Cyl. Bearing	C5107EV[2]

REAR AXLE

Differential

1987-1980

Cone/Cup	LM29749-LM29711[2]
----------------	--------------------

Pinion

1988-1976 all

Cone/Cup (inner)	M88048S-M88010
Cone/Cup (inner) Opt: substitute for M88048S	M88047-M88010
Seal (outer)	2440
Cone/Cup (outer)	M84548-M84510

3-SPEED AUTOMATIC TRANSMISSION

Torque Converter

1987-1981 gas engine

Seal	6712NA
Kwik Slv (Opt Rpr)	KWK99187

1985-1984 diesel

Seal	3227
Kwik Slv (Opt Rpr)	KWK99174

Rear Seal/Ext. Housing

1987-1981

Seal	9613S
Seal Kit	5200 ⁶⁴

Selector Shaft Seal/Man. Shaft

1987-1981

Seal	8792S
------------	-------

CLUTCH

Pilot Bearing

1987-1981 gas engine

Bushing	PB652
Bushing H/D Opt.	PB652HD

1985-1984 diesel

Bearing	203FF
---------------	-------

Release Bearing

1987-1981 exc. diesel

Bearing Assy	614018 ⁴²
--------------------	----------------------

1986-1983 diesel

Bearing Only	01496
--------------------	-------

4-SPEED MANUAL TRANSMISSION

Input Shaft

1987-1981

Seal	483488
Bearing	206SL
Kwik Slv (Opt Rpr)	KWK99122

Rear Output Shaft

1987-1981

Seal	9613S
Bearing	206L
Seal Kit	5200 ⁶⁴

5-SPEED MANUAL TRANSMISSION

Front Input Shaft

1987-1982 Warner

Seal	7412S
Set	SET5
Kwik Slv (Opt Rpr)	KWK99125

1986-1981 Isuzu

Seal	1990
Bearing	208LO
Kwik Slv (Opt Rpr)	KWK99106

Rear Output Shaft

1987-1982 Warner

Seal	9613S
Cone/Cup	25877-25821
Seal Kit	5200 ⁶⁴

1986-1981 Isuzu

Seal	1987S
------------	-------

ALTERNATOR

1988-1984 AC-Delco

Bearing (drive end)	203FF
Bearing (rear end)	MNJ471S

POWER STEERING

Pitman Shaft

1987-1981

Seal Kit	PSK1 ²⁴
----------------	--------------------

Pump Shaft

1987-1981

Seal	7013S
------------	-------

Worm Shaft

1987-1981

Seal	222025
------------	--------

CAMSHAFT SEAL

4 Cylinder

1987-1981 98/1.6L

Seal	6936S
Kwik Slv (Opt Rpr)	KWK99176

[] Indicates Quantity Required; Set Components Listed Inside Rear Cover;

²⁴ Opt. Kit incl. seals 5683 & 5684. Not sold separately
Seal and Bushing Kit

⁴² Sealed Self-Aligning Bearing

⁶⁴ Opt.

Bearings and Seals

Mfg./Year Model & Location Part No Mfg./Year Model & Location Part No

PONTIAC - REAR DRIVE - T1000 (cont.)

CRANKSHAFT REAR SEAL

4 Cylinder

1987-1981 98/1.6L
 Seal 3698
 Kwik Slv (Opt Rpr)KWK99300

TIMING COVER

4 Cylinder

1987-1981 98/1.6L
 Seal 9845
 Kwik Slv (Opt Rpr)KWK99176
 Harmonic Balancer
 Sleeves 88176

PONTIAC IMPORT - FRONT DRIVE - Firefly (Canada), Optima, Sunburst

FRONT WHEEL

1989 Firefly
 Seal (inner) 710394[2]
 Bearing (inner) 510001[2]
 Seal (outer) 710175[2]
1989-1985 Sunburst
 Seal 710098[2]
 Bearing Assy 517006[2]
1988-1987 Firefly (Turbo)
 Seal (inner) 710394[2]
 Bearing (inner) 510001[2]
 Seal (outer) 710175[2]
1988-1985 Firefly: late 1985 on
 Seal (inner) 224462[2]
 Bearing 107DD[2]
1985 Firefly: early 1985
 Seal (inner) 224462[2]
 Bearing 107WB[2]

ALTERNATOR (cont.)

1989-1988 Bosch
 Bearing (drive end) 203FF
 Bearing (rear end) 201CC

CAMSHAFT SEAL

4 Cylinder

1989-1988 1598cc/1.6
 Seal Viton 1108
 Kwik Slv (Opt Rpr)KWK99139
1989 1998cc/2.0L
 Seal Viton 1108
 Kwik Slv (Opt Rpr)KWK99139
1989-1985 1471cc/1.5L
 Seal 710308
 Kwik Slv (Opt Rpr)KWK99157

REAR WHEEL

1989-1985 Firefly
 Bearing (inner) 205F[2]
 Bearing (outer) 204F[2]
1987-1985 Sunburst (Canada)
 Seal (inner) 710309[2]
 Set (inner) SET4
 Set (outer) SET1

CRANKSHAFT REAR SEAL

4 Cylinder

1989-1988 1598cc/1.6
 Seal Viton 228008
 Kwik Slv (Opt Rpr)KWK99315
1989 1998cc/2.0L
 Seal Viton 710237
 Kwik Slv (Opt Rpr)KWK99354
1989-1985 1471cc/1.5L
 Seal 228700

CLUTCH

Release Bearing

1989 Firefly (Canada)
 Bearing Assy 614082
1989-1988 Optima 5-speed
 Bearing Assy 614171
1988 Optima 4-speed
 Bearing Assy 614172

TIMING COVER

4 Cylinder

1989-1988 1598cc/1.6
 Seal 710399
 Kwik Slv (Opt Rpr)KWK99166
1989 1998cc/2.0L
 Seal Viton 710164
 Kwik Slv (Opt Rpr)KWK99128
1989-1985 1471cc/1.5L
 Seal 223220
 Kwik Slv (Opt Rpr)KWK99128

ALTERNATOR

1989-1985 Nippondenso
 Bearing (drive end) 302CC
 Bearing (rear end) 201CC

PONTIAC IMPORT - FRONT DRIVE - LeMans

FRONT WHEEL

1989	1.6 engine	
Bearing	513113[2]
1989	2.0 engine	
Set	SET35
1988		
Set	SET35

REAR WHEEL

1989-1988		
Seal (inner)	4175[2]
Set (inner)	SET8
Set (outer)	SET1

CLUTCH

Release Bearing

1989-1988	4 speed	
Bearing Assy	614172
1989-1988	5-speed	
Bearing Assy	614171

3-SPEED AUTOMATIC TRANSAXLE

Torque Converter

1989-1988		
Seal	4072N

Output Shaft

1989-1988		
Seal	3543[2]
Kwik Slv (Opt Rpr)	KWK99139[2]

Selector Shaft Seal/Man. Shaft

1989-1988		
Seal	8792S

4-SPEED MANUAL TRANSAXLE

Output Shaft

1989-1988		
Seal	3543[2]
Kwik Slv (Opt Rpr)	KWK99139[2]

5-SPEED MANUAL TRANSAXLE

Output Shaft

1989-1988		
Seal	3543[2]
Kwik Slv (Opt Rpr)	KWK99139[2]

ALTERNATOR

1989-1985	Nippondenso	
Bearing (drive end)	302CC
Bearing (rear end)	201CC
1989-1988	Bosch	
Bearing (drive end)	203FF
Bearing (rear end)	201CC

CAMSHAFT SEAL

4 Cylinder

1989-1988		
Seal Viton	1108
Kwik Slv (Opt Rpr)	KWK99139

CRANKSHAFT REAR SEAL

4 Cylinder

1989-1988	1598cc/1.6	
Seal Viton	228008
Kwik Slv (Opt Rpr)	KWK99315
1989	1998cc/2.0L	
Seal Viton	710237
Kwik Slv (Opt Rpr)	KWK99354

TIMING COVER

4 Cylinder

1989-1988	1598cc/1.6	
Seal	710399
Kwik Slv (Opt Rpr)	KWK99166
1989	1998cc/2.0L	
Seal Viton	710164
Kwik Slv (Opt Rpr)	KWK99128

PORSCHE

FRONT WHEEL

1989-1986	928 from chassis #861000 on	
Seal (inner)	1012N[2]
Set (inner)	SET17
Set (outer)	SET3
1989-1987	944	
Seal (inner)	1012N[2]
Set (inner)	SET17
Set (outer)	SET3
1989-1965	911: all chassis exc. 930, SC, C4	
Seal (inner)	1012N[2]
Set (inner)	SET6
Set (outer)	SET2

FRONT WHEEL (cont.)

1988-1987	924S	
Seal (inner)	1012N[2]
Set (inner)	SET6
Set (outer)	SET2
1988-1978	911 SC	
Seal (inner)	224530[2]
Set (inner)	SET6
Set (outer)	SET2
1986-1983	944	
Seal (inner)	1012N[2]
Set (inner)	SET6
Set (outer)	SET2

Bearings and Seals

Mfg./Year	Model & Location	Part No	Mfg./Year	Model & Location	Part No
-----------	------------------	---------	-----------	------------------	---------

PORSCHE (cont.)

FRONT WHEEL (cont.)

1986-1978	928 thru chassis #860999	
Seal (inner)	1012N[2]
Set (inner)	SET17
Set (outer)	SET16
1982-1980	924 Turbo	
Seal (inner)	1012N[2]
Set (inner)	SET6
Set (outer)	SET2
1982-1977	924 exc. turbo	
Seal (inner)	1195[2]
Set (inner)	SET8
Set (outer)	SET1
1979-1978	930 Turbo	
Seal (inner)	1012N[2]
Set (inner)	SET6
Set (outer)	SET2
1976-1970	914/4-cylinder	
Seal (inner)	1195[2]
Set (inner)	SET8
Set (outer)	SET1
1973-1970	914/6-cylinder	
Seal (inner)	1012N[2]
Set (inner)	SET6
Set (outer)	SET2
1969-1965	912	
Seal (inner)	1012N[2]
Set (inner)	SET6
Set (outer)	SET2
1965-1963	356C	
Seal (inner)	22045[2]
Set (inner)	SET6
Set (outer)	SET2
1963-1958	356B	
Seal (inner)	22045[2]
Bearing Assy (inner)	30206M[2]
Bearing Assy (outer)	30305M[2]
1958-1955	356A	
Seal (inner)	22045[2]
Bearing Assy (inner)	30206M[2]
Bearing Assy (outer)	30305M[2]

REAR WHEEL

1989-1985	911 C2, C4 exc. turbo	
Bearing	513180[2]
1989-1978	928	
Bearing	513136[2]
1989	944 Series	
Bearing	513180[2]
1989-1977	911 Turbo	
Seal (inner)	226520[2]
Cone/Cup (inner)	LM503349A-LM503310[2]
Cone/Cup (outer)	JLM104948-JLM104910[2]
1988-1987	924S	
Bearing	513180[2]
1988-1983	944 Series	
Seal (inner)	224462[2]
Bearing (inner)	RW101[2]
Cyl. Bearing (outer)	MA1206EL[2]
1984-1978	911 Carrera, SC	
Bearing	513180[2]

REAR WHEEL (cont.)

1984-1971	911 Series exc. Carrera, SC, turbo	
Bearing	513134[2]
1982-1977	924	
Seal	1012N[2]
Cyl. Bearing	MA1206EF[2]
1979-1978	930 Turbo	
Seal (inner)	226520[2]
Cone/Cup (inner)	LM503349A-LM503310[2]
Cone/Cup (outer)	JLM104948-JLM104910[2]
1976-1970	914, 914/6	
Bearing	513106[2]
1968-1965	911 Series	
Seal (outer)	1180S[2]
Bearing (outer)	208[2]
1965-1955	356 Series	
Seal	1012N[2]

REAR AXLE

Differential

1989-1985	911 C2 Cab, C4 Cab	
Cone	XAA32010XM[2]
1989-1985	911 Targa	
Cone	XAA32010XM[2]
1989-1981	928 Series	
Cone	XAA32010XM[2]
1989-1981	944: automatic trans	
Cone/Cup	LM300849-LM300811[2]
1989-1981	944, 944 Turbo: manual trans	
Set (LH)	SET45
Cone/Cup (RH)	LM300849-LM300811
1989-1981	924: 5-speed manual trans	
Set (LH)	SET45
Cone/Cup (RH)	LM300849-LM300811
1989-1981	924: automatic trans	
Cone/Cup (LH)	LM300849-LM300811
1985-1981	911 Carrera	
Cone	XAA32010XM[2]
1985-1981	911 SC	
Cone	XAA32010XM[2]
1983-1981	924 Turbo: 5-speed manual trans	
Cone	XAA32010XM[2]
1982-1977	924: 4-speed manual trans	
Set (LH)	SET45
Cone/Cup (RH)	LM300849-LM300811
1980	924 Turbo: 5-speed manual trans	
Bearing Assy	32010X[2]
1980-1978	928 Series	
Bearing Assy	32010X[2]
1980-1977	924: 5-speed manual trans	
Bearing Assy	32010X[2]
1980-1976	911 E, L, S, T	
Bearing Assy	32010X[2]
1980-1976	911 Carrera	
Bearing Assy	32010X[2]
1980-1976	911 SC	
Bearing Assy	32010X[2]
1973-1970	914/6	
Bearing Assy	32010X[2]
1969-1965	912 Series	
Bearing Assy	32010X[2]

PORSCHE (cont.)

REAR AXLE

Pinion

1988-1983	944 with automatic trans	
	Cone/Cup (inner)	M86649-M86610
	Cone/Cup (outer)	M88048-M88010
1988-1977	924 with automatic trans	
	Cone/Cup (inner)	M86649-M86610
	Cone/Cup (outer)	M88048-M88010

CLUTCH

Release Bearing

1989-1987	911: 6-cylinder	
	Bearing Assy	614137 ³⁰
1989-1980	944	
	Bearing Assy	614132 ³⁰
1988-1987	924S	
	Bearing Assy	614132 ³⁰
1982-1977	924: 2.0 4-cylinder	
	Bearing Assy	614015 ³⁰
1965-1963	356C, SC, Super 90	
	Bearing Only	MG1716 ³⁰
1962-1959	Spider	
	Bearing Only	MG1716 ³⁰
1962-1958	356B, Super 90	
	Bearing Only	MG1716 ³⁰
1958-1955	356A, Super	
	Bearing Only	VW1006C ³⁰
1955-1952	356	
	Bearing Only	VW1006C ³⁰

3-SPEED AUTOMATIC TRANSAXLE

Torque Converter

1989-1977	VW 087	
	Seal	3083
	Kwik Slv (Opt Rpr)	KWK99169

Output Shaft

1989-1977	VW 087	
	Seal	224520[2]
	Kwik Slv (Opt Rpr)	KWK99177

Differential

1989-1977	VW 087	
	Cone/Cup	LM300849-LM300811[2]

Pinion

1989-1977	VW 087	
	Seal (inner)	222820
	Cone/Cup (inner)	M88048-M88010
	Kwik Slv (Opt Rpr)	KWK99111
	Seal (outer)	1012N
	Cone/Cup (outer)	M86649-M86610
	Kwik Slv (Opt Rpr)	KWK99177

4-SPEED MANUAL TRANSAXLE

Differential

1979-1976	930	
	Bearing Assy	32010X[2]
1969	901	
	Bearing Assy	32010X[2]
1968-1965	901	
	Set	SET37

Input Shaft

1979-1977	VW 088	
	Seal	222030
	Kwik Slv (Opt Rpr)	KWK99078

Output Shaft

1979-1977	VW 088	
	Seal	224015[2]
	Kwik Slv (Opt Rpr)	KWK99157
1979-1976	930	
	Seal	224560[2]
	Kwik Slv (Opt Rpr)	KWK99177
1969-1965	901	
	Seal	224560[2]
	Kwik Slv (Opt Rpr)	KWK99177

5-SPEED MANUAL TRANSAXLE

Differential

1989-1980	Getrag G28, G50, G64	
	Bearing Assy	32010X[2]
1986-1980	915, 923	
	Bearing Assy	32010X[2]
1985-1979	VW 016	
	Set (LH)	SET45
	Bearing Assy (RH)	32010X
1979	016/9	
	Set (LH)	SET45
	Cone/Cup (RH)	LM300849-LM300811
1979-1978	G28/03	
	Bearing Assy	32010X[2]
1979-1970	902, 915	
	Bearing Assy	32010X[2]

Input Shaft

1989-1980	VW 016	
	Seal	222540
	Kwik Slv (Opt Rpr)	KWK99098
1979	016/9	
	Seal	222540
	Kwik Slv (Opt Rpr)	KWK99098
1979-1978	G28/03	
	Seal	1966
1976-1970	914	
	Seal	222242
	Kwik Slv (Opt Rpr)	KWK99085

[] Indicates Quantity Required; Set Components Listed Inside Rear Cover;
³⁰ Ball bearing style release bearing replaces original style carbon bearing

Bearings and Seals

Mfg./Year Model & Location Part No Mfg./Year Model & Location Part No

PORSCHE (cont.)

5-SPEED MANUAL TRANSAXLE

Output Shaft

1989-1986	Getrag G50, G64	
Seal	224560[2]	
Kwik Slv (Opt Rpr)	KWK99177	
1989-1980	VW 016	
Seal	224520[2]	
Kwik Slv (Opt Rpr)	KWK99177	
1989-1980	Getrag G28	
Seal	224820[2]	
Kwik Slv (Opt Rpr)	KWK99189	
1986-1980	915, 923	
Seal	224560[2]	
Kwik Slv (Opt Rpr)	KWK99177	
1979	016/9	
Seal	224520[2]	
Kwik Slv (Opt Rpr)	KWK99177	
1979-1978	G28/03	
Seal	224820[2]	
Kwik Slv (Opt Rpr)	KWK99189	
1979-1970	902, 914, 915	
Seal	224560[2]	
Kwik Slv (Opt Rpr)	KWK99177	

ALTERNATOR

1982-1977	Bosch 75 amp	
Bearing	200CC[2]	
1975-1970	Bosch 50 amp	
Bearing	200CC[2]	
1975-1970	Bosch 55 amp	
Bearing	200CC[2]	

CAMSHAFT SEAL

4 Cylinder

1989-1986	2474cc/2.5L, 2980cc/3.0L	
Seal	223020	
Kwik Slv (Opt Rpr)	KWK99114	
1988-1983	2474cc/2.5L	
Seal	223020	
Kwik Slv (Opt Rpr)	KWK99114	
1982-1977	1984cc/2.0L	
Seal	3476S	
Kwik Slv (Opt Rpr)	KWK99128	
1979-1977	1984cc/2.0L	
Seal	3476S	
Kwik Slv (Opt Rpr)	KWK99128	

8 Cylinder

1989-1985	4957cc/5.0L, 5397cc/5.4L	
Seal	223020	
Kwik Slv (Opt Rpr)	KWK99114	
1984-1978	4474cc/4.5L, 4670cc/4.7L	
Seal	223020	
Kwik Slv (Opt Rpr)	KWK99114	

CRANKSHAFT REAR SEAL

4 Cylinder

1989-1983	2474cc/2.5L, 2980cc/3.0L	
Seal	229010	
Kwik Slv (Opt Rpr)	KWK99354	
1979-1977	1984cc/2.0L	
Seal Viton	710205	
1976-1970	1679cc/1.7L, 1795cc/1.8L, 1970cc/2.0L	
Seal	227530	
Kwik Slv (Opt Rpr)	KWK99294	
1969-1950	1086cc/1.1L, 1286cc/1.3L, 1488cc/1.5L, 1582cc/1.6L	
Seal	226020	
Kwik Slv (Opt Rpr)	KWK99235	

6 Cylinder

1989-1980	2994cc/3.0L, 3164cc/3.2L, 3299cc/3.3L, 3608cc/3.6L	
Seal	229010	
Kwik Slv (Opt Rpr)	KWK99354	
1979-1978	2994cc/3.0L, 3299cc/3.3L	
Seal	229010	
Kwik Slv (Opt Rpr)	KWK99354	
1977-1965	1991cc/2.0L, 2195cc/2.2L, 2341cc/2.3L, 2687cc/2.7L	
Seal	226520	
Kwik Slv (Opt Rpr)	KWK99254	

8 Cylinder

1989-1978	4474cc/4.5L, 4670cc/4.7L, 4957cc/5.0L, 5397cc/5.4L	
Seal	229010	
Kwik Slv (Opt Rpr)	KWK99354	

TIMING COVER

4 Cylinder

1989-1983	2474cc/2.5L	
Seal	223830	
Kwik Slv (Opt Rpr)	KWK99147	
1982-1980	1984cc/2.0L	
Seal Viton	710331	
Kwik Slv (Opt Rpr)	KWK99139	
1979-1977	1984cc/2.0L	
Seal Viton	1119	
Kwik Slv (Opt Rpr)	KWK99139	
1976-1970	1679cc/1.7L, 1795cc/1.8L, 1970cc/2.0L	
Seal	224252	
Kwik Slv (Opt Rpr)	KWK99166	
1969-1950	1086cc/1.1L, 1286cc/1.3L, 1488cc/1.5L, 1582cc/1.6L	
Seal	1973	
Kwik Slv (Opt Rpr)	KWK99189	

Mfg./Year Model & Location Part No Mfg./Year Model & Location Part No

PORSCHE (cont.)

TIMING COVER

6 Cylinder

1989-1984	3164cc/3.2L, 3299cc/3.3L	
Seal		226020
Kwik Slv (Opt Rpr)		KWK99235
1983-1980	2994cc/3.0L	
Seal		223050
Kwik Slv (Opt Rpr)		KWK99114

TIMING COVER (cont.)

6 Cylinder (cont.)

1979-1965	1991cc/2.0L, 2195cc/2.2L, 2341cc/2.3L, 2687cc/2.7L, 2994cc/3.0L, 3299cc/3.3L	
Seal		226020
Kwik Slv (Opt Rpr)		KWK99235

RENAULT

FRONT WHEEL

1989-1983	Alliance R9	
Tapered Brg Assy	JRM3535A-90U02[2]	
1988-1983	Encore	
Tapered Brg Assy	JRM3535A-90U02[2]	
1985-1984	SportsWagon	
Bearing	513144K[2]	
1985-1983	18i	
Bearing	513144K[2]	
1985-1982	Fuego	
Bearing	513144K[2]	
1985-1976	LeCar R5	
Bearing (inner)	513005[2]	
Bearing (outer)	B37[2]	
1983-1976	R17	
Bearing (inner)	513240[2] ²⁰	
Bearing (outer)	207F[2]	
1982-1981	18i	
Bearing	513141[2]	
1975-1972	R15	
Bearing (outer)	207F[2]	
1971-1959	R10 R1190, R1192	
Bearing Assy (inner)	30204M[2]	
Bearing Assy (outer)	30203[2]	
1969-1968	R16	
Bearing Assy (inner)	30205M[2]	
Bearing (outer)	513141[2]	
1967-1965	R12	
Bearing	207F[2]	
1967-1962	R3, R4, R4L	
Bearing	206F[2]	
1967-1956	Caravelle (R1131, R1133)	
Bearing Assy (inner)	30204M[2]	
Bearing Assy (outer)	30203[2]	
1967-1956	Dauphine	
Bearing Assy (inner)	30204M[2]	
Bearing Assy (outer)	30203[2]	
1966-1961	R1094, R1095	
Bearing Assy (inner)	30204M[2]	
Bearing Assy (outer)	30203[2]	
1966-1961	4CV	
Bearing Assy (inner)	30204M[2]	
Bearing Assy (outer)	30203[2]	
1963-1955	Fregate	
Bearing Assy (inner)	32206M[2]	
Bearing Assy (outer)	32304M[2]	

REAR WHEEL

1988-1983	Alliance (R9)	
Bearing Assy	513001[2]	
1988-1983	Encore, GTA (R11)	
Bearing Assy	513001[2]	
1986-1984	SportsWagon	
Bearing Assy (inner)	30205M[2]	
Bearing Assy (outer)	30204M[2]	
1986-1983	18i	
Bearing Assy (inner)	30205M[2]	
Bearing Assy (outer)	30204M[2]	
1986-1982	Fuego exc. turbo	
Seal (inner)	1906[2]	
Bearing Assy (inner)	30205M[2]	
Bearing Assy (outer)	30204M[2]	
1986-1982	Fuego Turbo	
Bearing Assy (inner)	30205M[2]	
Bearing Assy (outer)	30204M[2]	
1983-1978	R18, 18i Sedan	
Bearing Assy (inner)	32005X[2]	
Bearing Assy (outer)	32004X[2]	
1983-1978	R18, 18i Wagon	
Seal (inner)	1906[2]	
Bearing Assy (inner)	30205M[2]	
Bearing Assy (outer)	30204M[2]	
1983-1977	LeCar (R5)	
Seal (inner)	1906[2]	
Bearing Assy (inner)	32005X[2]	
Bearing Assy (outer)	32004X[2]	
1979-1972	R15	
Bearing Assy (inner)	30205M[2]	
Bearing Assy (outer)	30204M[2]	
1979-1972	R17, TL exc. R1328	
Bearing Assy (inner)	30205M[2]	
Bearing Assy (outer)	30204M[2]	
1979-1972	R17: R1328	
Bearing Assy (inner)	32005X[2]	
Bearing Assy (outer)	32004X[2]	
1977	R12	
Bearing Assy (inner)	32005X[2]	
Bearing Assy (outer)	32004X[2]	
1976	LeCar (R5)	
Bearing Assy (inner)	30205M[2]	
Bearing Assy (outer)	30204M[2]	
1976-1965	R12	
Seal (inner)	1906[2]	
Bearing Assy (inner)	30205M[2]	
Bearing Assy (outer)	30204M[2]	

[] Indicates Quantity Required; Set Components Listed Inside Rear Cover;

²⁰ Not currently in production; check for availability

Bearings and Seals

Mfg./Year	Model & Location	Part No	Mfg./Year	Model & Location	Part No
RENAULT (cont.)					

REAR WHEEL (cont.)

1975-1965	R16, TS	
	Bearing Assy (inner)	30205M[2]
	Bearing Assy (outer)	30204M[2]
1968	R1180	
	Bearing Assy	30203[2]
1967-1965	R10	
	Bearing Assy	30205M[2]
1967-1962	R3, R4, R4L	
	Seal (inner)	1906[2]
	Bearing Assy (inner)	30204M[2]
	Bearing Assy (outer)	30203[2]
1967-1962	4CV	
	Bearing (inner)	305AG[2]
1967-1960	Caravelle	
	Bearing (outer)	305AG[2]
1966-1961	R1094, R1095	
	Bearing	305AG[2]
1966-1960	Gordini	
	Bearing	305AG[2]
1966-1956	Dauphine	
	Bearing	305AG[2]
1964-1962	R8 thru chassis #6188	
	Bearing	305AG[2]
1963-1955	Fregate	
	Bearing (inner)	306TB[2]
	Seal (outer)	224045[2]
	Bearing (outer)	206WB[2]

CLUTCH

Pilot Bearing

1983-1976	R17	
	Bearing	203SS
1977-1965	R12	
	Bearing	203SS
1975-1972	R15	
	Bearing	203SS
1971-1968	R16	
	Bearing	203SS

Release Bearing

1988-1984	Encore, GTA (R11)	
	Bearing Assy	614023
1988-1983	Alliance (R9)	
	Bearing Assy	614023
1985-1984	SportWagon	
	Bearing Assy	614025
1985-1982	Fuego: including turbo	
	Bearing Assy	614025
1985-1976	LeCar (R5)	
	Bearing Assy	614012
1983-1980	R18: NG0, NG1 trans	
	Bearing Assy	614025
1983-1976	R17	
	Bearing Assy	614025
1977-1976	R12 (R1331, R1332, R1170)	
	Bearing Assy	614012
1975-1972	R15 (R1300 - R1304)	
	Bearing Assy	614025
1975-1972	R17	
	Bearing Assy	614025

CLUTCH (cont.)

Release Bearing (cont.)

1975-1965	R12 (R1331, R1332, R1170)	
	Bearing Assy	614025
1971-1969	R10	
	Bearing Assy	614012

3-SPEED AUTOMATIC TRANSAXLE

Torque Converter

1989-1983	MB1, MB3, MJ3	
	Seal	224266
	Kwik Slv (Opt Rpr)	KWK99169
1983-1981	4139	
	Seal Viton	716484
	Kwik Slv (Opt Rpr)	KWK99189
1979-1968	139, 4139	
	Seal	1973
	Kwik Slv (Opt Rpr)	KWK99189

Differential

1989-1988	MJ3	
	Bearing Assy	30207M[2]
1986-1981	MJ3, 4139	
	Bearing Assy	30207M[2]
1979-1968	139, 4139	
	Bearing Assy	30207M[2]

4-SPEED AUTOMATIC TRANSAXLE

Input Shaft

1983-1976	354	
	Seal	221710
	Kwik Slv (Opt Rpr)	KWK99068

Output Shaft

1983-1980	354	
	Seal	710197[2]
	Kwik Slv (Opt Rpr)	KWK99146
1979-1976	354	
	Seal	223610[2]
	Kwik Slv (Opt Rpr)	KWK99146

4-SPEED MANUAL TRANSAXLE

Differential

1983-1980	354	
	Bearing Assy	30207M[2]
1979-1963	352, 354	
	Bearing Assy	30207M[2]
1971-1958	334	
	Bearing Assy	30206M[2]

5-SPEED MANUAL TRANSAXLE

Differential

1989-1988	NG3	
	Bearing Assy (LH)	30207M
1986-1981	NG0, NG1, NG3	
	Bearing Assy (LH)	30207M

RENAULT (cont.)

5-SPEED MANUAL TRANSAXLE

Countershaft

1983-1981 NG0
Bearing Assy (rear)30205M

ALTERNATOR

1987-1983 Ducellier 60 & 70 amp
Bearing (drive end)204FF
Bearing (rear end)200CC
1985-1983 Ducellier 50 amp
Bearing (drive end)203FF
Bearing (rear end)200CC

CAMSHAFT SEAL

4 Cylinder

1989-1988 2165cc/2.2L
Seal1172S
Kwik Slv (Opt Rpr)KWK99139
1987-1985 1721cc/1.7L, 1965cc/2.0L
Seal (front)222556
Kwik Slv (Opt Rpr)KWK99098
Seal (rear)222267
Kwik Slv (Opt Rpr)KWK99085
1987-1980 1397cc/1.4L
Seal223010
Kwik Slv (Opt Rpr)KWK99114
1986-1984 2165cc/2.2L
Seal1172S
Kwik Slv (Opt Rpr)KWK99139
1984-1982 1565cc/1.6L
Seal223230
Kwik Slv (Opt Rpr)KWK99128
1979-1976 1289cc/1.3L
Seal223010
Kwik Slv (Opt Rpr)KWK99114
1975-1968 1565cc/1.6L
Seal223230
Kwik Slv (Opt Rpr)KWK99129
1971-1970 1289cc/1.3L
Seal223010
Kwik Slv (Opt Rpr)KWK99114

CRANKSHAFT REAR SEAL

4 Cylinder

1989-1988 2165cc/2.2L
Seal Viton229005
Kwik Slv (Opt Rpr)KWK99354
1987-1985 1721cc/1.7L, 1965cc/2.0L
Seal716102
Kwik Slv (Opt Rpr)KWK99333
1987-1980 1397cc/1.4L, 1565cc/1.6L,
1647cc/1.6L
Seal228010
Kwik Slv (Opt Rpr)KWK99315
1986-1984 2165cc/2.2L
Seal Viton229005
Kwik Slv (Opt Rpr)KWK99354
1979-1974 1289cc/1.3L, 1565cc/1.6L,
1647cc/1.6L
Seal228010
Kwik Slv (Opt Rpr)KWK99315
1973-1968 1289cc/1.3L, 1565cc/1.6L
Seal228010
Kwik Slv (Opt Rpr)KWK99315
1971-1963 1108cc/1.1L
Seal227040
Kwik Slv (Opt Rpr)KWK99272

TIMING COVER

4 Cylinder

1989-1984 1721cc/1.7L, 1965cc/2.0L,
2165cc/2.2L
Seal Viton225020
Kwik Slv (Opt Rpr)KWK99196
1987-1980 1397cc/1.4L
Seal3771
Kwik Slv (Opt Rpr)KWK99139
1984-1968 1565cc/1.6L, 1647cc/1.6L
Seal224520
Kwik Slv (Opt Rpr)KWK99177
1979-1976 1289cc/1.3L
Seal3771
Kwik Slv (Opt Rpr)KWK99139
1971-1963 1108cc/1.1L, 1289cc/1.3
Seal3771
Kwik Slv (Opt Rpr)KWK99139
1967-1951 603cc, 747cc, 845cc
Seal223250
Kwik Slv (Opt Rpr)KWK99128

RILEY - see also AUSTIN-MORRIS

FRONT WHEEL

1965-1958 1.5 litre
Bearing Assy (inner)30205M[2]
Bearing Assy (outer)30303[2]

REAR WHEEL

1965-1962 4/72
Bearing208L[2]
1965-1958 1.5 litre
Seal472164[2]
Bearing207[2]

REAR WHEEL (cont.)

1963-1958 2.6
Seal450867[2]
Bearing209L[2]
1961-1959 4/68
Bearing208L[2]

Bearings and Seals

Mfg./Year Model & Location Part No Mfg./Year Model & Location Part No

RILEY - see also AUSTIN-MORRIS (cont.)

REAR AXLE

Pinion

1969-1962 4/72
 Cone/Cup (outer) 3188S-3120
 Cone/Cup (inner) 15100-15250X

CLUTCH

Release Bearing

1972-1965 Kestrel 1100, 1300
 Bearing Assy 614104
1969-1962 Elf: Mk I, II, III
 Bearing Assy 614104

ROLLS ROYCE - includes BENTLEY chassis

FRONT WHEEL

1989-1976 Corniche
 Cone/Cup (inner) LM29749-LM29710[2]
 Set (outer) SET4
1989-1975 Silver Spur
 Cone/Cup (inner) LM29749-LM29710[2]
 Set (outer) SET4
1989-1972 Silver Spirit
 Cone/Cup (inner) LM29749-LM29710[2]
 Set (outer) SET4
1988-1976 Camargue
 Cone/Cup (inner) LM29749-LM29710[2]
 Set (outer) SET4
1971-1965 Silver Shadow
 Cone/Cup (inner) LM29749-LM29710[2]
 Set (outer) SET4
1970-1969 Phantom VI
 Cone/Cup (inner) 2788-2720[2]
 Cone/Cup (outer) 15112-15250X[2]
1968-1966 Phantom V
 Cone/Cup (inner) 2788-2720[2]
 Cone/Cup (outer) 15112-15250X[2]
1965-1964 Silver Cloud Mk. III
 Cone/Cup (inner) 2788-2720[2]
 Cone/Cup (outer) 15112-15250X[2]
1963-1959 Silver Cloud Mk. II
 Cone/Cup (inner) 2788-2720[2]
 Cone/Cup (outer) 15112-15250X[2]

REAR WHEEL

1989-1976 Corniche I, II, III
 Cone/Cup (inner) 18790-18720[2]
 Cone/Cup (outer) 18690-18620[2]
1989-1976 Silver Spur I, II
 Cone/Cup (inner) 18790-18720[2]
 Cone/Cup (outer) 18690-18620[2]
1989-1972 Silver Spirit I, II
 Cone/Cup (inner) 18790-18720[2]
 Cone/Cup (outer) 18690-18620[2]
1988-1976 Camargue
 Cone/Cup (inner) 18790-18720[2]
 Cone/Cup (outer) 18690-18620[2]

REAR WHEEL (cont.)

1971-1965 Silver Shadow
 Cone/Cup (inner) 18790-18720[2]
 Cone/Cup (outer) 18690-18620[2]
1970-1966 Phantom V, VI
 Cone/Cup (inner) 18790-18720[2]
 Cone/Cup (outer) 18690-18620[2]
1965-1959 Silver Cloud Mk. II, III
 Cone/Cup (inner) 18790-18720[2]
 Cone/Cup (outer) 18690-18620[2]

REAR AXLE

Differential

1989-1971 all
 Cone/Cup (LH) 29590-29520
 Cone/Cup (RH) 368A-362A
1970-1959 all
 Cone/Cup (RH) 28584-28521
 Cone/Cup (LH) 358X-354X

Pinion

1989-1976 Corniche
 Cone/Cup (inner) 18790-18720
 Cone/Cup (outer) 18690-18620
1989-1975 Silver Spur
 Cone/Cup (inner) 18790-18720
 Cone/Cup (outer) 18690-18620
1989-1972 Silver Spirit
 Cone/Cup (inner) 18790-18720
 Cone/Cup (outer) 18690-18620
1988-1976 Camargue
 Cone/Cup (inner) 18790-18720
 Cone/Cup (outer) 18690-18620
1971-1965 Silver Shadow
 Cone/Cup (inner) HM88649-HM88610
 Cone/Cup (outer) HM903249-HM903210

3-SPEED AUTOMATIC TRANSMISSION

Torque Converter

1989-1980 GMC THM400
 Seal 6712NA
 Kwik Slv (Opt Rpr) KWK99187

ROLLS ROYCE - includes BENTLEY chassis (cont.)

3-SPEED AUTOMATIC TRANSMISSION

Rear Seal/Ext. Housing

1989-1980	GMC THM400	
Seal		9449
Seal Kit		5208 ⁶⁴

3-SPEED AUTOMATIC TRANSMISSION

Selector Shaft Seal/Man. Shaft

1989-1980	GMC THM400	
Seal		8792S

ROVER - 60, 75, 80, 90, 100, 105, 2000, 3000, 3500

FRONT WHEEL

1982-1980		
Set (inner)		SET6
Set (outer)		SET2
1979-1963	2000, 3500	
Set (inner)		SET6
Set (outer)		SET2
1967-1959	3000	
Cone/Cup (inner)		14125A-14274[2]
Cone/Cup (outer)		09067-09195[2]

REAR WHEEL

1982-1976		
Seal (inner)		223535[2]
Seal (outer)		224100[2]

REAR AXLE

Axle Shaft

1975-1963	2000, 3500	
Bearing		306TB[2]

Differential

1982-1976	3500	
Cone/Cup		LM29749-LM29710[2]
1975-1963	2000, 3500	
Set		SET45[2]
1967-1959	3000	
Cone/Cup		2788-2729[2]

Pinion

1982-1976	3500	
Cone/Cup (inner)		M88046-M88010
Cone/Cup (outer)		HM88649-HM88610
1975-1963	2000, 3500	
Cone/Cup (inner)		HM89449-HM89410
Cone/Cup (outer)		M88043-M88010
Bearing (pilot)		205BB
1967-1959	3000	
Cone/Cup (inner)		3193-3120
Cone/Cup (outer)		3490-3420

3-SPEED AUTOMATIC TRANSMISSION

Torque Converter

1982-1973	Borg Warner T65	
Seal		480479H
Kwik Slv (Opt Rpr)		KWK99168
1973-1963	Borg Warner T35	
Seal		480479H
Kwik Slv (Opt Rpr)		KWK99168

Rear Seal/Ext. Housing

1973-1963	Borg Warner T35	
Seal		1097N

Selector Shaft Seal/Man. Shaft

1973-1963	Borg Warner T35	
Seal		311189

CLUTCH - 8 CYLINDER

Release Bearing

1982-1976	3528cc/3.5L (240mm clutch)	
Bearing Only		TR1716

4-SPEED MANUAL TRANSMISSION

Input Shaft

1975-1968	P6B	
Bearing		306TB

Countershaft

1975-1968	P6B	
Set		SET3

5-SPEED MANUAL TRANSMISSION

Front Input Shaft

1982-1980	CL	
Cone/Cup		15123-15245
1979-1976	CL	
Set		SET6

Countershaft

1982-1976	CL	
Set		SET4[2]

Rear Output Shaft

1982-1976	CL	
Set (inner)		SET1
Set (outer)		SET6

DRIVESHAFT SUPPORT

1982-1980		
Bearing		88506

Bearings and Seals

Mfg./Year	Model & Location	Part No	Mfg./Year	Model & Location	Part No
ROVER - 60, 75, 80, 90, 100, 105, 2000, 3000, 3500 (cont.)					

CRANKSHAFT REAR SEAL

8 Cylinder

1981-1969	3528cc/3.5L	
Seal		5591

ROVER TRUCK - SUV - Defender 90, Defender 110, Discovery, Range Rover

FRONT WHEEL

1989-1970	Range Rover	
Set		SET37[2]
1973-1958	Land Rover	
Cone/Cup (outer)		11162-11300[2]

REAR WHEEL

1989-1970	Range Rover	
Set		SET37[2]
1973-1958	Land Rover	
Cone/Cup (outer)		11162-11300[2]

4WD FRONT AXLE

Differential

1989-1982	To Mid Year 1993	
Set		SET45[2]
1981-1958		
Cone/Cup		2788-2729X[2]

Pinion

1989-1958		
Cone/Cup (inner)		M88046-M88010
Cone/Cup (outer)		HM801346X-HM801310

Steering Knuckle

1989-1958		
Cone/Cup		11590-11520[2]

REAR AXLE

Differential

1989-1982	To Mid Year 1993	
Set		SET45[2]
1981-1958		
Cone/Cup		2788-2729X[2]

Pinion

1989-1958		
Cone/Cup (inner)		M88046-M88010
Cone/Cup (outer)		HM801346X-HM801310

TRANSFER CASE REBUILD KIT

1989-1988	Range Rover	
Kit		TCRK1361

TRANSFER CASE

Front Output Shaft

1988-1970	LT230	
Cone/Cup		JLM506849-JLM506810

Rear Output Shaft

1988-1970	LT230	
Cone/Cup (front)		JLM104948-JLM104910
Bearing (rear)		207

3-SPEED AUTOMATIC TRANSMISSION

Torque Converter

1986-1970	Chrysler A727	
Seal		331227H
Kwik Slv (Opt Rpr)		KWK99187

Rear Seal/Ext. Housing

1986-1970	Chrysler A727	
Seal		472164

Clutch Cam

1986-1970	Chrysler A727	
Needle Bearing		W585Q[12]

4-SPEED AUTOMATIC TRANSMISSION

Torque Converter

1989-1987	ZF 4HP-22, ZF 4HP-24	
Seal		224052
Kwik Slv (Opt Rpr)		KWK99157

Rear Seal/Ext. Housing

1989	ZF4HP22, ZF4HP24	
Seal		710140
1988-1987	ZF 4HP-22	
Seal		3459S

CLUTCH

Release Bearing

1980-1968	3500 V8	
Bearing Only		TR1716

CRANKSHAFT REAR SEAL

8 Cylinder

1988-1970	3528cc/3.5L	
Seal		5591

Mfg./Year	Model & Location	Part No	Mfg./Year	Model & Location	Part No
-----------	------------------	---------	-----------	------------------	---------

SAAB - 900, 9000, 99

FRONT WHEEL

1989-1981	900	
Bearing	513106[2]
1989-1986	9000	
Hub Assy	513127[2]
1982-1975	99	
Bearing	513106[2]
1980-1979	900	
Bearing	513147[2]
1974-1968	97 Sonett series	
Seal	224840[2]
Cone/Cup	LM29749-LM29710[2]
1974-1968	99	
Seal	224840[2]
Cone/Cup	LM29749-LM29710[2]

REAR WHEEL

1989-1988	900	
Hub Assy	HA590102[2]
1987-1986	9000 w/o ABS	
Hub Assy	HA590102[2]
1987-1982	900	
Hub Assy	512147[2]
1982-1979	900	
Set (inner)	SET17
Set (outer)	SET16
1980-1979	99 Series	
Seal (inner)	1973[2]
Set (inner)	SET17
Set (outer)	SET16
1978-1969	99 Series	
Seal (inner)	239146[2]
Set	SET4[2]
1974-1968	97 Sonett	
Seal (inner)	239146[2]
Set	SET4[2]
1973-1967	95 V4 Wagon	
Seal (inner)	239146[2]
Bearing (inner)	206WB[2]
Bearing (outer)	304WB[2]
1973-1967	96 V4	
Bearing (inner)	302AG[2]
Bearing (outer)	304WB[2]
1968-1965	95 Estate	
Bearing (inner)	305AG[2]
Bearing (outer)	304WB[2]
1968-1965	96 Estate, Sport Estate	
Bearing (inner)	206WB[2]
Bearing (outer)	304WB[2]
1968-1965	96, Sport	
Bearing (inner)	305AG[2]
Bearing (outer)	304WB[2]
1968-1965	850 Monte Carlo Estate	
Bearing (inner)	206WB[2]
Bearing (outer)	304WB[2]
1968-1965	850 Monte Carlo	
Bearing (inner)	305AG[2]
Bearing (outer)	304WB[2]

CLUTCH

Pilot Bearing

1989-1979	900	
Bearing	202FF
1980-1970	99	
Bearing	202FF

Release Bearing

1989-1986	900, 9000	
Bearing Assy	614080
1985-1979	900	
Bearing Assy	614143
1980-1976	99	
Bearing Assy	614143
1975-1970	99	
Bearing Assy	614200
1974-1968	97: Sonett	
Bearing Only	VW1006C
1973-1967	95, 96: V4	
Bearing Only	VW1006C
1968-1960	93	
Bearing Only	VW1006C
1968-1960	95, 96: 3 cylinder	
Bearing Only	VW1006C

3-SPEED AUTOMATIC TRANSAXLE

Torque Converter

1989-1979	Borg Warner T35TB, T37TB	
Seal	480479H
Kwik Slv (Opt Rpr)	KWK99168
1978	Borg Warner T35TB, T37TB (To Ch# 9978-1017767)	
Seal	473234
Kwik Slv (Opt Rpr)	KWK99168
1978	Borg Warner T35TB, T37TB (From Ch# 9978-1017768)	
Seal	480479H
1977-1969	Borg Warner T269U, T35RB, T37TB, T393K, T399R	
Seal	473234
Kwik Slv (Opt Rpr)	KWK99168

Differential

1989-1973	Borg Warner T35TB, T37TB	
Seal	223510[2]
Set	SET45
Kwik Slv (Opt Rpr)	KWK99139[2]
1974-1969	Borg Warner T269U, T35RB, T393K, T399R	
Cone/Cup	LM29749-LM29710[2]

Pinion

1980-1973	Borg Warner T35TB, T37TB	
Set (inner)	SET45
Cone/Cup (outer)	19138-19268
1972-1969	Borg Warner T35	
Cone/Cup (inner)	18590-18520
Cone/Cup (outer)	19138-19268

Bearings and Seals

Mfg./Year Model & Location Part No Mfg./Year Model & Location Part No

SAAB - 900, 9000, 99 (cont.)

4-SPEED AUTOMATIC TRANSAXLE

Differential

1989-1987 ZF 4HP-14, 4HP-18Q
 Cone/Cup (LH)LM806649-LM806610
 Cone/Cup (RH)LM300849-LM300811

Torque Converter

1989-1987 ZF 4HP-14
 Seal 225110
 Kwik Slv (Opt Rpr)KWK99187

4-SPEED MANUAL TRANSAXLE

Differential

1982-1975 99, 900
 Seal 223510[2]
 SetSET45
 Kwik Slv (Opt Rpr)KWK99139

Input Shaft

1982-1979 900
 Bearing (rear) 208S

Intermediate Shaft

1982-1969 99, 900
 Set (rear) SET3

Pinion

1982-1969 99, 900
 Cone/Cup (inner)HM88649-HM88610
 Cone/Cup (outer)M88048-M88010

5-SPEED MANUAL TRANSAXLE

Differential

1989-1986 9000
 Cone/Cup (LH)LM300849-LM300811
 Set (RH)SET45
1989-1980 99, 900
 Seal 223510[2]
 SetSET45
 Kwik Slv (Opt Rpr)KWK99139

Input Shaft

1989-1986 9000
 Set (front)SET4
 Cone/Cup (rear) 15106-15245
1989-1980 99, 900
 Cone/Cup M84548-M84510
1983-1980 900
 Cone/Cup M84548-M84510[2]
1979-1978 99
 Cone/Cup M84548-M84510

5-SPEED MANUAL TRANSAXLE

Output Shaft

1989-1986 9000
 Bearing Assy (LH) 32008XM
 Cone/Cup (RH) 15106-15245

Pinion

1989-1980 99, 900
 Cone/Cup (inner)HM88649-HM88610
 Cone/Cup (outer)M88048-M88010
1979-1978 99
 Cone/Cup (inner)HM88649-HM88610
 Cone/Cup (outer)M88048-M88010

ALTERNATOR

1983-1981 Bosch 70 amp
 Bearing (drive end)203FF
 Bearing (rear end) 201CC
1980-1973 Bosch 55 amp
 Bearing (drive end)203S
 Bearing (rear end) 201S
1980-1973 Bosch 65 amp
 Bearing (drive end)203S
 Bearing (rear end) 201S
1980-1969 Marchal
 Bearing (drive end)203FF
1974-1966 Bosch 35 amp
 Bearing (drive end)203S
 Bearing (rear end) 201S

GENERATOR

1966-1960 Bosch
 Bearing (drive end)202AG

CRANKSHAFT REAR SEAL

4 Cylinder

1989-1973 1985cc/2.0L, 2119cc/2.1L,
 2290cc/2.3L
 Seal 3772
1974-1966 1498cc/1.5L, 1699cc/1.7L
 Seal Viton 3393
 Kwik Slv (Opt Rpr)KWK99237
1972-1971 1854cc/1.9L
 Seal 416956

TIMING COVER

4 Cylinder

1989-1980 1985cc/2.0L, 2119cc/2.1L,
 2290cc/2.3L
 Seal331227H
 Kwik Slv (Opt Rpr)KWK99187
1979-1973 1985cc/2.0L
 Seal 331227H
 Kwik Slv (Opt Rpr)KWK99187
1974-1966 1498cc/1.5L, 1699cc/1.7L
 Seal Viton2012S³¹

508 [] Indicates Quantity Required; Set Components Listed Inside Rear Cover;

³¹ When depleted use number listed directly below

SIMCA

FRONT WHEEL

1980-1972	Rallye	
Seal (inner)	224045[2]
Set (inner)	SET4
Bearing Assy (outer)	30204M[2]
1975-1969	1000	
Seal (inner)	224045[2]
Set (inner)	SET4
Bearing Assy (outer)	30204M[2]
1975-1969	1100	
Seal (inner)	224045[2]
Set (inner)	SET4
Bearing Assy (outer)	30204M[2]
1975-1969	1200	
Seal (inner)	224045[2]
Set (inner)	SET4
Bearing Assy (outer)	30204M[2]
1975-1968	Sim 4	
Seal (inner)	224045[2]
Set (inner)	SET4
Bearing Assy (outer)	30204M[2]
1975-1968	900	
Seal (inner)	224045[2]
Set (inner)	SET4
Bearing Assy (outer)	30204M[2]
1975-1960	1300, 1301	
Seal (inner)	224045[2]
Set (inner)	SET4
Set (outer)	SET1
1975-1960	1500, 1501	
Seal (inner)	224045[2]
Set (inner)	SET4
Set (outer)	SET1
1968-1960	1100	
Seal (inner)	224045[2]
Set (inner)	SET4
Set (outer)	SET1
1966-1962	Aronde	
Seal (inner)	1174S[2]
Set (inner)	SET4
Bearing Assy (outer)	30204M[2]
1963-1958	Presidence	
Cone/Cup (inner)	15590-15520[2]
Set (outer)	SET2
1963-1957	Marly Vedette	
Cone/Cup (inner)	15590-15520[2]
Set (outer)	SET2
1963-1957	Vedette	
Cone/Cup (inner)	15590-15520[2]
Set (outer)	SET2
1962-1958	Ariane Series	
Cone/Cup (inner)	15590-15520[2]
Set (outer)	SET2
1962-1958	Beaulieu	
Cone/Cup (inner)	15590-15520[2]
Set (outer)	SET2
1961-1956	Aronde	
Seal (inner)	224045[2]
Bearing Assy (inner)	30305M[2]
Bearing Assy (outer)	30204M[2]

REAR WHEEL

1980-1972	Rallye	
Set	SET4
1975-1968	Sim 4	
Set	SET4
1975-1968	900	
Set (inner)	SET4
Bearing Assy (outer)	30204M[2]
1975-1968	1100	
Bearing Assy	30204M[2]
1975-1968	1200	
Set (inner)	SET4
Bearing Assy (outer)	30204M[2]
1975-1960	1300 Series	
Set (inner)	SET4
Bearing Assy (outer)	30204M[2]
1975-1960	1500 Series	
Set (inner)	SET4
Bearing Assy (outer)	30204M[2]
1967-1964	1000	
Set (inner)	SET4
Bearing Assy (outer)	30204M[2]
1966-1957	Aronde	
Seal	224045[2]
Bearing	306TB[2]
1963-1957	Marly Vedette	
Bearing	307TB[2]
1962-1958	Ariane	
Bearing	307TB[2]
1962-1958	Beaulieu	
Bearing	307TB[2]
1962-1958	Chambord	
Bearing	307TB[2]
1962-1958	Presidence	
Bearing	307TB[2]

CLUTCH

Pilot Bearing

1975-1968	1100	
Bearing	201CC
1963-1957	Ariane	
Bearing	203SS
1963-1957	Vedette	
Bearing	203SS
1962-1958	Beaulieu	
Bearing	203SS
1962-1958	Chambord	
Bearing	203SS
1962-1958	Presidence	
Bearing	203SS
1962-1956	Aronde	
Bearing	202AG
1962-1955	Marly Vedette	
Bearing	203SS

ALTERNATOR

1971-1968	all	
Bearing	203FF[2]

Bearings and Seals

Mfg./Year Model & Location Part No Mfg./Year Model & Location Part No

SINGER

FRONT WHEEL

1970-1967	Vogue	
Set (inner)	SET4
Set (outer)	SET2
1970-1964	Chamois	
Set (inner)	SET4
Set (outer)	SET2
1968-1956	Gazelle	
Set (inner)	SET21
Set (outer)	SET2
1966-1961	Vogue	
Set (inner)	SET21
Set (outer)	SET2
1956-1955	Hunter: late	
Set (inner)	SET21
Set (outer)	SET2
1955-1954	Hunter: early	
Cone/Cup (inner)	15112-15250[2]
Cone/Cup (outer)	09067-09195[2]

REAR WHEEL

1966-1956	Gazelle	
Seal	472492[2]
Cone/Cup	2585-2523S[2]
1956	Hunter	
Cone/Cup	25877-25820[2]
1955-1954	Hunter	
Cone/Cup	14130-14276[2]

REAR AXLE

Pinion

1970-1967	Vogue	
Cone/Cup (inner)	M84548-M84510
Cone/Cup (outer)	M88048-M88010
1970-1964	Chamois Mk. I, Mk. II	
Cone/Cup (inner)	21075-21212
Cone/Cup (inner)	M84548-M84510
1970-1956	Gazelle	
Cone/Cup (inner)	M84548-M84510
Cone/Cup (outer)	M88048-M88010

SKODA (RUSSIA)

FRONT WHEEL

1989-1970		
Bearing Assy	30304[2]

STERLING - Honda automobiles - England

FRONT WHEEL

1989	825, 827	
Bearing	513052[2]
1988-1987	825, 827	
Bearing	513054[2]

REAR WHEEL

1989-1987	825, 827	
Bearing	513051[2]

CLUTCH

Release Bearing

1989	827SLi	
Bearing Assy	614068
1988-1987	825SL	
Bearing Assy	614068

4-SPEED AUTOMATIC TRANSAXLE

Differential

1989	G3T4	
Bearing Assy	30208M[2]
1988-1987	G4	
Bearing Assy (LH)	30208M
Bearing Assy (RH)	32010X

Torque Convertor

1989-1987	G3T4, G4	
Seal	350609

STERLING - Honda automobiles - England (cont.)

4-SPEED AUTOMATIC TRANSAXLE

Output Shaft

1989-1987 G3T4, G4
 Seal Viton 224026[2]
 Kwik Slv (Opt Rpr)KWK99157

Selector Shaft Seal/Man. Shaft

1989-1987 G3T4, G4
 Seal 221207
 Kwik Slv (Opt Rpr)KWK99049

5-SPEED MANUAL TRANSAXLE

Differential

1989-1987 C3P4, PL5X
 Cone/Cup (LH) XAA32008X-Y32008X
 Bearing Assy (RH)32010X

Output Shaft

1989-1987 C3P4, PL5X
 Seal Viton 224026[2]
 Kwik Slv (Opt Rpr)KWK99157

A/C COMPRESSOR

1989-1987 Nippondenso 10P15 Axial
 Bearing 5000KFF
 1989-1987 Nippondenso 10P17 Axial
 Bearing 5000KFF

ALTERNATOR

1989 Nippondenso
 Bearing (drive end)203FF
 1989 Nippondenso
 Bearing (rear end) 201CC

POWER STEERING

Pump Shaft

1989 827 Series
 Seal 221620

CAMSHAFT SEAL

6 Cylinder

1989-1987 2494cc/2.5L, 2675cc/2.7L
 Seal Viton 713771
 Kwik Slv (Opt Rpr)KWK99139

CRANKSHAFT REAR SEAL

6 Cylinder

1989-1987 2494cc/2.5L, 2675cc/2.7L
 Seal Viton 228008
 Kwik Slv (Opt Rpr)KWK99315

TIMING COVER

6 Cylinder

1989-1987 2494cc/2.5L, 2675cc/2.7L
 Seal 711181

STUDEBAKER - Avanti, Broadmoor, Challenger, Champion, Commander, Conestoga, Cruiser, Daytona, Hawk Series, Land Cruiser, Lark, Parkview, Pelham, President, Provincial, Scotsman, Station Wagon, Taxi, Wagonaire

FRONT WHEEL

1966-1956
 Seal (inner) 205017[2]
 Set (inner)SET6
 Set (outer)SET2
 1955 exc. Champion
 Cone/Cup (inner) 15123-15245[2]
 Cone/Cup (outer) 09067-09195[2]
 1955-1948 Champion
 Cone/Cup (inner) 15123-15245[2]
 Cone/Cup (outer) 09067-09195[2]
 1954-1950 Commander
 Cone/Cup (inner) 15123-15245[2]
 Cone/Cup (outer) 09067-09195[2]
 1954-1950 Land Cruiser
 Cone/Cup (inner) 15123-15245[2]
 Cone/Cup (outer) 09067-09195[2]

FRONT WHEEL (cont.)

1949-1946 Commander
 Cone/Cup (outer) 09074-09194[2]
 1942-1941 Commander
 Cone/Cup (inner) 14125A-14274[2]
 Cone/Cup (outer) 09074-09194[2]
 1942-1941 President
 Cone/Cup (inner) 14125A-14274[2]
 Cone/Cup (outer) 09074-09194[2]

REAR WHEEL

1966-1951
 Seal 40769S[2]
 Cone/Cup 14132T-14276[2]
 1950-1941 Commander
 Cone/Cup 25877-25821[2]

Bearings and Seals

Mfg./Year Model & Location Part No Mfg./Year Model & Location Part No

STUDEBAKER - Avanti, Broadmoor, Challenger, Champion, Commander, Conestoga, Cruiser, Daytona, Hawk Series, Land Cruiser, Lark, Parkview, Pelham, President, Provincial, Scotsman, Station Wagon, Taxi, Wagonaire (cont.)

REAR WHEEL (cont.)

1950-1941	President	
Cone/Cup	25877-25821[2]
1950-1941	Land Cruiser	
Cone/Cup	25877-25821[2]

REAR AXLE

Differential Rebuild Kit

1966-1965	Dana/Spicer 44 axle: flanged axle shaft	
Kit	DRK339B

Differential

1966-1965	Type 44 axle: flanged shaft	
Cone/Cup	25590-25523[2]
1966-1965	Type 44 axle: tapered shaft	
Cone/Cup	25577-25523[2]
1966-1959	Type 27 axle	
Cone/Cup	LM501349-LM501314[2]
1964-1963	Avanti R1, R2	
Cone/Cup	25577-25523[2]
1964-1959	Type 44 axle	
Cone/Cup	25577-25523[2]
1960-1959	Type 23 axle	
Cone/Cup	24780-24721[2]
1958-1957	6-cylinder exc. Taxi, Station Wagon	
Cone/Cup	24780-24721[2]
1958-1957	6-cylinder Taxi	
Cone/Cup	25577-25523[2]
1958-1957	6-cylinder Station Wagon	
Cone/Cup	25577-25523[2]
1958-1957	8-cylinder	
Cone/Cup	25577-25523[2]
1956-1950	exc. Champion, Flight Hawk	
Cone/Cup	25577-25523[2]
1956-1946	Champion, Flight Hawk	
Cone/Cup	24780-24721[2]

Pinion

1966-1959	Dana/Spicer 27A axle	
Cone/Cup (inner)	HM88649-HM88610[2]
Seal (outer)	5778
1966-1946	Dana/Spicer 23, 44 axles	
Cone/Cup (inner)	31594-31520
Seal (outer)	5778
Cone/Cup (outer)	02872-02820

CLUTCH

Release Bearing

1964-1958	6-cylinder: exc. Taxi	
Bearing Only	CB1340C
Bearing Only	1505
1964-1958	8-cylinder: exc. Taxi	
Bearing Only	CB1137C
Bearing Only	CB995

CLUTCH (cont.)

Release Bearing (cont.)

1957-1956	Flight Hawk	
Bearing Only	CB1340C
Bearing Only	1505
1957-1956	Power Hawk, Sky Hawk	
Bearing Only	CB1137C
Bearing Only	CB995
1957-1955	President	
Bearing Only	CB1137C
Bearing Only	CB995
1957-1939	Champion	
Bearing Only	CB1340C
Bearing Only	1505
1957-1938	Commander	
Bearing Only	CB1137C
Bearing Only	CB995
1942-1939	President	
Bearing Only	CB1339C
Bearing Only	CB1085
1938	President	
Bearing Only	CB1137C
Bearing Only	CB995
1938-1934	Dictator	
Bearing Only	CB1137C
Bearing Only	CB995

DRIVESHAFT SUPPORT

1964-1946	Spicer 1280-1480: 1.3780" bearing ID	
Bearing	88107

STUDEBAKER TRUCK - LIGHT - 1-7, 10, 11, 12, 13, 14, 15

REAR WHEEL

1965-1956	10, 11, 12	
Seal (inner)	410987[2]
Cone/Cup	18790-18720[2]
1965-1956	1-7 single axle	
Seal (inner)	7245[2]
Cone/Cup (inner)	25877-25821[2]
1965-1956	13, 14, 15: banjo axle	
Seal (inner)	455009[2]
Cone/Cup (inner)	387A-382A[2]
Cone/Cup (outer)	368A-362A[2]
1956-1954	13, 14, 15: split axle	
Seal (inner)	455009[2]
Cone/Cup (inner)	387A-382A[2]
Cone/Cup (outer)	2984-2924[2]
1956-1949	10, 11, 12	
Cone/Cup (inner)	368A-362A[2]
Cone/Cup (outer)	359S-354A[2]

CLUTCH

Pilot Bearing

1965-1955	all	
Bearing	205S
1941-1936	Various	
Bearing	205S

CLUTCH

Release Bearing

1965-1955	exc. Clark, New Process trans	
Bearing Only	CB1137C
Bearing Only	CB995
1953-1941	M16,2R6,2R11,2R14,2R16A,2R17A	
Bearing Only	CB1339C
Bearing Only	CB1085
1953-1938	K5,L5,M15,M15-28,2R5,2R10,2R15	
Bearing Only	CB1137C
Bearing Only	CB995

DRIVESHAFT SUPPORT

1964-1946	Spicer 1280-1480: 1.3780" bearing ID	
Bearing	88107

SUBARU AWD - Chaser, Deluxe, DL, FE, GF, GL, GLF, Justy, Legacy, Loyale, RX, Standard, Star, XT

FRONT WHEEL

1989	Justy	
Bearing	206WB[2]
Seal (outer)	224462[2]
Seal (inner)	1974[2]
1989	Touring Wagon	
Bearing (inner)	207[2]
Seal (outer)	225230[2]
Seal (inner)	710230[2]
1989-1988	XT6	
Seal (inner)	710230[2]
Bearing Assy (inner)	513015[2]
Seal (outer)	225230[2]
1989-1985	XT Series exc. XT6	
Bearing	207[2]
Seal (outer)	225230[2]
Seal (inner)	710230[2]
1988-1987	Justy	
Seal (inner)	1974[2]
Bearing (inner)	305AG[2]
Seal (outer)	224462[2]
1988-1972	DL, GF, GL, GLF	
Seal	225230[2]
Bearing	207[2]
1988-1972	Wagon	
Bearing	207[2]
Seal (outer)	225230[2]
Seal (inner)	710230[2]

FRONT WHEEL (cont.)

1971-1970	Star	
Bearing	207[2]
Seal (outer)	224462[2]
Seal (inner)	1974[2]

REAR WHEEL

1989-1988	Justy 4x4	
Seal (inner)	710228[2]
Bearing (inner)	305AG[2]
Seal (outer)	710227[2]
Bearing (outer)	206WB[2]
1989-1987	Justy 4x2	
Seal (inner)	223830[2]
Bearing Assy (inner)	30205M[2]
Bearing Assy (outer)	30204M[2]
1989-1986	XT 4x2 incl. turbo	
Seal (inner)	1984[2]
Bearing Assy (inner)	30206M[2]
Bearing Assy (outer)	30204M[2]
1989-1986	XT 4x4	
Seal (inner)	224015[2]
Bearing Assy (inner)	513056[2]
Seal (outer)	225005[2]
1989-1980	DL, GL, GLF: 4x4:	
Seal (inner)	224015[2]
Bearing Assy (inner)	513056[2]
Seal (outer)	225005[2]

Bearings and Seals

Mfg./Year Model & Location Part No Mfg./Year Model & Location Part No

SUBARU AWD - Chaser, Deluxe, DL, FE, GF, GL, GLF, Justy, Legacy, Loyale, RX, Standard, Star, XT (cont.)

REAR WHEEL (cont.)

1989-1978	Wagon 4x4: production from 5/1978 on	
	Seal (inner)	224015[2]
	Bearing Assy (inner)	513056[2]
	Seal (outer)	225005[2]
1989-1972	DL, GF, GLF: 4x2:	
	Seal (inner)	1984[2]
	Bearing Assy (inner)	30206M[2]
	Bearing Assy (outer)	30204M[2]
1989-1972	Wagon 4x2	
	Seal (inner)	1984[2]
	Bearing Assy (inner)	30206M[2]
	Bearing Assy (outer)	30204M[2]
1980-1972	Leone Sedan	
	Seal (inner)	1984[2]
	Bearing (inner)	305AG[2]
	Bearing (outer)	204[2]
1980-1972	Leone Wagon	
	Seal (inner)	1984[2]
	Bearing Assy (inner)	30206M[2]
	Bearing Assy (outer)	30204M[2]
1978-1975	Wagon 4x4: production thru 4/1978	
	Seal (inner)	2013[2]
	Bearing (inner)	513026[2]
	Seal (outer)	225005[2]
1972-1970	FF-1, FF-1G Sedan	
	Seal (inner)	1984[2]
	Bearing (inner)	305AG[2]
	Bearing (outer)	204[2]
1972-1970	FF-1, FF-1G Wagon	
	Seal (inner)	1984[2]
	Bearing Assy (inner)	30206M[2]
	Bearing Assy (outer)	30204M[2]

4WD FRONT AXLE

Differential

1989-1976	all	
	Seal	223255[2]
	Bearing Assy	30208M[2]

Pinion

1989-1976		
	Bearing Assy (inner)	32306
	Seal (outer)	1173
	Bearing Assy (outer)	32305

REAR AXLE

Differential

1989-1976	exc. Justy 4WD	
	Seal	223255[2]
	Bearing Assy	30208M[2]
1989-1988	Justy 4WD	
	Seal	222745[2]
	Bearing Assy	32007XM[2]

REAR AXLE

Pinion

1989-1976	exc. Justy 4WD	
	Bearing Assy (inner)	32306
	Seal (outer)	1173
	Bearing Assy (outer)	32305
	Bearing (pilot)	30565
1989-1988	Justy 4WD	
	Bearing Assy (inner)	30206M
	Seal (outer)	710267

CLUTCH

Pilot Bearing

1989-1981	4WD	
	Bearing	201CC
1980	1595cc/1.6L	
	Bearing	HK1210

CLUTCH - 2 CYLINDER

Release Bearing

1969-1968	358cc/.4L	
	Bearing Only	01496

CLUTCH - 4 CYLINDER

Release Bearing

1989-1985	1781cc/1.8L, 1781cc/1.8L Turbo	
	Bearing Assy	614059
1984-1983	1781cc/1.8L	
	Bearing Only	TO1710
1982-1970	4-cyl	
	Bearing Only	613001

CLUTCH - 6 CYLINDER

Release Bearing

1989-1988	2672CC/2.7L	
	Bearing Assy	614059

AUTOMATIC TRANSAXLE

Output Shaft

1989-1987	TB40, TS40: CVT	
	Seal	222745
	Kwik Slv (Opt Rpr)	KWK99106

Countershaft

1989-1987	TB40, TS40: CVT	
	Needle Bearing	HK1512

Differential

1989-1987	TB40, TS40: CVT	
	Bearing (LH)	207S
	Bearing (RH)	207

SUBARU AWD - Chaser, Deluxe, DL, FE, GF, GL, GLF, Justy, Legacy, Loyale, RX, Standard, Star, XT (cont.)

3-SPEED AUTOMATIC TRANSAXLE

Torque Converter

1989-1980	TA86, TX86, T71T, T81M, T81T, T81X	
Seal Viton	2025
Kwik Slv (Opt Rpr)	KWK99169
1987-1981	TX86, T81X, T81Z	
Seal Viton	2025
Kwik Slv (Opt Rpr)	KWK99169
1979-1973	T63T, T71T	
Seal Viton	2025
Kwik Slv (Opt Rpr)	KWK99169

Output Shaft

1989-1980	TA86, TX86, T71T, T81M, T81T, T81X	
Seal	222745[2]
Kwik Slv (Opt Rpr)	KWK99106
1979-1973	T63T, T71T	
Seal	222745[2]
Kwik Slv (Opt Rpr)	KWK99106

Differential

1980	T71T	
Bearing Assy	30207M[2]
1979-1973	T63T, T71T	
Bearing Assy	30207M[2]

4-SPEED AUTOMATIC TRANSAXLE

Differential

1989-1988	TZ1A2, TZ102	
Bearing Assy	30208M[2]

Torque Converter

1989-1988	TZ1A2, TA102, TZ102	
Seal	225010
Kwik Slv (Opt Rpr)	KWK99196

Output Shaft

1989-1988	TZ1A2, TA102, TZ102	
Seal	223050[2]
Kwik Slv (Opt Rpr)	KWK99114

Oil Pump

1989-1988	TZ1A2, TA102, TZ102	
Seal	710265

Extension Housing

1989-1988	TA102, TZ102	
Seal	3771
Kwik Slv (Opt Rpr)	KWK99139

4-SPEED MANUAL TRANSAXLE

Differential

1987-1985	TW70F	
Bearing Assy	30208M[2]
1980-1978	TM48F	
Bearing Assy	30207M[2]
1979-1970	T61A, T62A, T63A, T63W	
Bearing Assy	30207M[2]

Input Shaft

1988-1981	TM40F, TM45F	
Seal	222558
Kwik Slv (Opt Rpr)	KWK99098
1980-1978	TM48F	
Seal	222050
Kwik Slv (Opt Rpr)	KWK99078
1979-1970	T61A, T62A, T63A, T63W	
Seal	222050
Kwik Slv (Opt Rpr)	KWK99078

Output Shaft

1988-1980	TM40F, TM44F, TM45F, TM48F, TW70F, T71A, T72A, T81J, T81K, T81W	
Seal	222745[2]
Kwik Slv (Opt Rpr)	KWK99106
1979-1970	TM44F, T61A, T62A, T63A, T63W, T71A	
Seal	222745[2]
Kwik Slv (Opt Rpr)	KWK99106

5-SPEED MANUAL TRANSAXLE

Differential

1989-1987	TM64F, TW64F	
Bearing (LH)207S
Bearing (RH)207
1989-1985	TW75F, TY75F, TY75Z	
Bearing Assy	30208M[2]
1987-1985	TM65F	
Bearing Assy	30208M[2]
1980-1978	T71W	
Bearing Assy	30207M[2]

Input Shaft

1989-1987	TM64F, TW64F	
Seal	222030
Bearing	205BB
Kwik Slv (Opt Rpr)	KWK99078
1989-1985	TW75F, TY75F	
Seal	222558
Bearing	305AG
Kwik Slv (Opt Rpr)	KWK99098
1989-1980	TM55F, TM70F, TM75F, TY75Z	
Seal	222558
Kwik Slv (Opt Rpr)	KWK99098
1980-1978	T71W	
Seal	222050
Kwik Slv (Opt Rpr)	KWK99078

Bearings and Seals

Mfg./Year Model & Location Part No Mfg./Year Model & Location Part No

SUBARU AWD - Chaser, Deluxe, DL, FE, GF, GL, GLF, Justy, Legacy, Loyale, RX, Standard, Star, XT (cont.)

5-SPEED MANUAL TRANSAXLE (cont.)

Input Shaft (cont.)

1979-1977 TM55F
 Seal 222580
 Kwik Slv (Opt Rpr)KWK99098

Output Shaft

1989-1980 TM50F, TM55F, TM60F, TM64F,
 TW64F, TM70F,
 Seal 222745[2]
 Kwik Slv (Opt Rpr)KWK99106
1989-1980 TM702, T71G, T71W, T72G,
 TM75F, TW75F, TM752, T81G
 Seal 222745[2]
 Kwik Slv (Opt Rpr)KWK99106
1979-1976 TM50F, TM55F, T71G
 Seal 222745[2]
 Kwik Slv (Opt Rpr)KWK99106

Extension Housing

1989-1980 TM55F, T71W, TY75F, TY752
 Seal 3771
 Kwik Slv (Opt Rpr)KWK99139
1989-1980 TM50F, TM60F, TM70F, T71G,
 T72G, TM75F, TW75F, T81G
 Seal 221820
1979-1977 TM55F
 Seal 3771
 Kwik Slv (Opt Rpr)KWK99139
1979-1976 TM50F, T71G
 Seal 221820

ALTERNATOR

1989-1975 Hitachi 50, 55, 60, 65 amp
 Bearing (drive end) 303CC
 Bearing (rear end) 201CC
1974-1970 Hitachi 35 amp
 Bearing (drive end)202S
 Bearing (rear end) 201CC

CAMSHAFT SEAL

3 Cylinder

1989-1987 1189cc/1.2
 Seal 223018
 Kwik Slv (Opt Rpr)KWK99114

4 Cylinder

1989-1985 1781cc/1.8L, 1781cc/1.8L Turbo
 Seal 223830
 Kwik Slv (Opt Rpr)KWK99147

6 Cylinder

1989-1988 2672cc/2.7L
 Seal 223830
 Kwik Slv (Opt Rpr)KWK99147

CRANKSHAFT REAR SEAL

3 Cylinder

1989-1987 1189cc/1.2
 Seal 710234

4 Cylinder

1989 1781cc/1.8L, 1781cc/1.8L Turbo
 Seal 1019S
 Kwik Slv (Opt Rpr)KWK99298
1988-1981 1781cc/1.8L, 1781cc/1.8L Turbo
 Seal 1019S
 Kwik Slv (Opt Rpr)KWK99298
1988-1980 1595cc/1.6L
 Seal Viton 1021V
 Kwik Slv (Opt Rpr)KWK99272
1979-1970 1088cc/1.1L, 1267cc/1.3L,
 1361cc/1.4L, 1595cc/1.6L
 Seal Viton 1021V
 Kwik Slv (Opt Rpr)KWK99272

6 Cylinder

1989-1988 2672cc/2.7L
 Seal 1019S
 Kwik Slv (Opt Rpr)KWK99298

TIMING COVER

3 Cylinder

1989-1987 1189cc/1.2
 Seal 710233

4 Cylinder

1989-1980 1781cc/1.8L
 Seal 1038
 Kwik Slv (Opt Rpr)KWK99147
1988-1980 1595cc/1.6L
 Seal 223830
 Kwik Slv (Opt Rpr)KWK99147
1979-1970 1088cc/1.1L, 1267cc/1.3L,
 1361cc/1.4L, 1595cc/1.6L
 Seal 223830
 Kwik Slv (Opt Rpr)KWK99147

6 Cylinder

1989-1988 2672cc/2.7L
 Seal 223230
 Kwik Slv (Opt Rpr)KWK99147

SUBARU TRUCK - Pickup, SUV - Baja, Brat

FRONT WHEEL

1987-1978	Brat	
Seal		225230[2]
Bearing		207[2]

REAR WHEEL

1987-1978	Brat	
Seal (inner)		224015[2]
Bearing Assy (inner)		513056[2]
Seal (outer)		225005[2]

REAR AXLE

Differential

1987-1978	Brat	
Seal		223255[2]
Bearing Assy		30208M[2]

Pinion

1987-1978	Brat	
Bearing Assy (inner)		32306
Seal (outer)		1173
Bearing Assy (outer)		32305
Kwik Slv (Opt Rpr)		KWK99193
Bearing (pilot)		30565

CLUTCH

Pilot Bearing

1987-1981	Brat	
Bearing		201CC
1980-1978	1595cc/1.6L	
Bearing		HK1210

CLUTCH - 4 CYLINDER

Release Bearing

1987-1985	1781cc/1.8L, 1781cc/1.8L Turbo	
Bearing Assy		614059
1984-1983	1781cc/1.8L Turbo	
Bearing Assy		614059
1984-1983	1781cc/1.8L	
Bearing Only		TO1710

3-SPEED AUTOMATIC TRANSAXLE

Torque Converter

1987-1981	TX86, T81X, T81Z	
Seal Viton		2025
Kwik Slv (Opt Rpr)		KWK99169

Output Shaft

1987-1981	TX86, T81X, T81Z	
Seal		222745[2]
Kwik Slv (Opt Rpr)		KWK99106

4-SPEED MANUAL TRANSAXLE

Differential

1987-1985	TW70F	
Bearing Assy		30208M[2]
1980-1978	TM48F	
Bearing Assy		30207M[2]

Input Shaft

1980-1978	TM48F	
Seal		222050
Kwik Slv (Opt Rpr)		KWK99078

5-SPEED MANUAL TRANSAXLE

Differential

1987-1985	TM65F	
Bearing Assy		30208M[2]
1980-1978	T71W	
Bearing Assy		30207M[2]

Input Shaft

1980-1978	T71W	
Seal		222050
Kwik Slv (Opt Rpr)		KWK99078

Output Shaft

1987-1978	T71W	
Seal		222745[2]
Kwik Slv (Opt Rpr)		KWK99106

Extension Housing

1987-1985	TM50F, TM60F, TM70F, T71G, T72G, TM75F, TW75F, T81G	
Seal		221820
1987-1978	TM55F, T71W, TY75F, TY75Z	
Seal		3771
Kwik Slv (Opt Rpr)		KWK99139

CAMSHAFT SEAL

4 Cylinder

1984-1983	1781cc/1.8L Turbo	
Seal		223830
Kwik Slv (Opt Rpr)		KWK99147

CRANKSHAFT REAR SEAL

4 Cylinder

1987-1980	1781cc/1.8L (DOHC), (Turbo)	
Seal		1019S
Kwik Slv (Opt Rpr)		KWK99298
1980-1978	1595cc/1.6L	
Seal Viton		1021V
Kwik Slv (Opt Rpr)		KWK99272

Bearings and Seals

Mfg./Year Model & Location Part No Mfg./Year Model & Location Part No

SUBARU TRUCK - Pickup, SUV - Baja, Brat (cont.)

TIMING COVER

4 Cylinder

1987-1980	1781cc/1.8L	
Seal		1038
Kwik Slv (Opt Rpr)		KWK99147
1980-1978	1595cc/1.6L	
Seal		223830
Kwik Slv (Opt Rpr)		KWK99147

SUNBEAM

FRONT WHEEL

1976-1970	1250	
Set (inner)		SET4
Set (outer)		SET2
1976-1970	1500	
Set (inner)		SET4
Set (outer)		SET2
1976-1967	Rapier	
Set (inner)		SET4
Set (outer)		SET2
1975-1967	Alpine	
Set (inner)		SET4
Set (outer)		SET2
1975-1963	Imp, Sport	
Set (inner)		SET4
Set (outer)		SET2
1973-1968	Sport	
Set (inner)		SET4
Set (outer)		SET2
1973-1968	Stiletto	
Set (inner)		SET4
Set (outer)		SET2
1972-1961	LeMans	
Set (inner)		SET21
Set (outer)		SET2
1968-1966	Hunter	
Set (inner)		SET4
Set (outer)		SET2
1968-1964	Tiger Mk. I, Mk. II	
Set (inner)		SET21
Set (outer)		SET2
1966-1959	Alpine	
Set (inner)		SET21
Set (outer)		SET2
1966-1956	Rapier	
Set (inner)		SET21
Set (outer)		SET2
1960-1956	Rapier: some	
Set (inner)		SET21
Cone/Cup (outer)		16150-16284[2]

REAR WHEEL

1976-1970	1250	
Bearing		RW109[2]
1976-1970	1500	
Bearing		RW109[2]
1968-1964	Tiger Mk. I, II	
Cone/Cup		14130-14276[2]

REAR AXLE

Differential

1975-1968	Rapier Series	
Set		SET45
1975-1965	Alpine Series	
Set		SET45
1968-1965	Tiger	
Cone/Cup		25577-25523[2]
1967-1965	Imp Series	
Cone/Cup (LH)		LM67047-LM67010
Set (RH)		SET5

Pinion

1975-1969	Rapier: H120	
Cone/Cup (inner)		M88048-M88010
Seal (outer)		470059
Cone/Cup (outer)		M84548-M84510
1975-1968	Alpine Coupe	
Cone/Cup (inner)		M88048-M88010
Seal (outer)		470059
Cone/Cup (outer)		M84548-M84510
1975-1968	Alpine Sport	
Set (inner)		SET5
Cone/Cup (outer)		21075-21212
1975-1968	Sport	
Set (inner)		SET5
Cone/Cup (outer)		21075-21212
1975-1968	Stiletto	
Set (inner)		SET5
Cone/Cup (outer)		21075-21212
1975-1965	Imp Series	
Set (inner)		SET5
Cone/Cup (outer)		21075-21212
1971-1968	Rapier	
Seal (outer)		470059
Cone/Cup (outer)		M84548-M84510
1968-1965	Tiger	
Cone/Cup (inner)		31593-31520
Seal (outer)		5778
Cone/Cup (outer)		02872-02820

CLUTCH

Release Bearing

1976-1956	Rapier	
Bearing Only		MG1716 ³⁰
1968	Tiger: 289 Ford	
Bearing Only		F1625C ³⁰

518 [] Indicates Quantity Required; Set Components Listed Inside Rear Cover;

³⁰ Ball bearing style release bearing replaces original style carbon bearing

SUNBEAM (cont.)

CLUTCH (cont.)

Release Bearing (cont.)

1968-1964	Tiger: 260 Ford	
	Bearing Assy	614038 ³⁰
1967-1959	Alpine	
	Bearing Only	MG1716 ³⁰

ALTERNATOR

1970-1968	all	
	Bearing (drive end)	202AG
1967-1956	all	
	Bearing (drive end)	203AB

SUZUKI - FRONT DRIVE - Aerio, Forsa, Swift

FRONT WHEEL

1989	Swift exc. GT and GTi	
	Seal (inner)	710394[2]
	Bearing (inner)	510001[2]
	Seal (outer)	710175[2]
1989	Swift GT and GTi	
	Seal (inner)	710394[2]
	Bearing (inner)	510018[2]
	Seal (outer)	710393[2]
1988-1987	Forsa: exc. turbo	
	Seal (inner)	224462[2]
	Bearing	107DD[2]
1988-1987	Forsa: (turbo)	
	Seal	710175[2]
	Bearing	510001[2]
1986-1985	Forsa: early	
	Seal (inner)	224462[2]
	Bearing	107DD[2]

REAR WHEEL

1989	Swift exc. GT and GTi	
	Bearing (inner)	205F[2]
	Bearing (outer)	204F[2]
1989	GT, GTi	
	Hub Assy	512182[2]
1988-1985	Forsa	
	Bearing (inner)	205F[2]
	Bearing (outer)	204F[2]

TRANSMISSION REBUILD KIT

1989-1988	Swift	
	Kit	TRKFS110

CLUTCH - 3 CYLINDER

Pilot Bearing

1988-1985		
	Bearing	200CC

CLUTCH - 4 CYLINDER

Pilot Bearing

1989		
	Bearing	200CC

CLUTCH - 3 CYLINDER

Release Bearing

1988-1985		
	Bearing Assy	614050

CLUTCH - 4 CYLINDER

Release Bearing

1989		
	Bearing Assy	614082

3-SPEED AUTOMATIC TRANSAXLE

Torque Converter

1989-1985	Aisin A210	
	Seal	223830
	Kwik Slv (Opt Rpr)	KWK99177

Output Shaft

1989-1985	Aisin A210	
	Seal	223540[2]
	Kwik Slv (Opt Rpr)	KWK99139[2]

Differential

1989	Aisin A210 (SOHC)	
	Bearing	207S[2]
1989	Aisin A210 (DOHC)	
	Bearing	207[2]
1988-1985	Aisin A210	
	Bearing	207S[2]

Selector Shaft Seal/Man. Shaft

1989-1985	Aisin A210	
	Seal	710116

5-SPEED MANUAL TRANSAXLE

Differential

1989	MX1	
	Bearing (LH)	207
	Bearing (RH)	107WB
1988-1985	MX1	
	Bearing	207S[2]

[] Indicates Quantity Required; Set Components Listed Inside Rear Cover;
³⁰ Ball bearing style release bearing replaces original style carbon bearing

Bearings and Seals

Mfg./Year Model & Location Part No Mfg./Year Model & Location Part No

SUZUKI - FRONT DRIVE - Aerio, Forsa, Swift (cont.)

5-SPEED MANUAL TRANSAXLE

Input Shaft

1989	MX1	
Seal (RH)	222030
Bearing Assy (RH)	32204
Kwik Slv (Opt Rpr)	KWK99078
1988-1985	MX1	
Bearing Assy	32204[2]
Seal (RH)	222030
Kwik Slv (Opt Rpr)	KWK99078

Countershaft

1988-1985	MX1	
Bearing Assy (LH)	32204
Bearing Assy (RH)	32005X

Output Shaft

1989	MX1	
Seal (LH)	223552
Seal (RH)	223535
Kwik Slv (Opt Rpr)	KWK99139[2]
1988-1985	MX1	
Seal (LH)	223552
Kwik Slv (Opt Rpr)	KWK99139

ALTERNATOR

1989		
Bearing (drive end)	202FF
1988-1985	Nippondenso 45 amp	
Bearing (drive end)	302CC
Bearing (rear end)	201CC
1988-1985	Nippondenso 50 amp	
Bearing (drive end)	302CC
Bearing (rear end)	201CC

CAMSHAFT SEAL

4 Cylinder

1989	1300cc/1.3L (DOHC)	
Seal	710310[2]
Kwik Slv (Opt Rpr)	KWK99128[2]

CRANKSHAFT REAR SEAL

3 Cylinder

1988-1985	993cc/1.0L	
Seal	710334

4 Cylinder

1989	1300cc/1.3L (DOHC)	
Seal	710334

TIMING COVER

3 Cylinder

1988-1985	993cc/1.0L	
Seal	710310
Kwik Slv (Opt Rpr)	KWK99128

4 Cylinder

1989	1300cc/1.3L (DOHC)	
Seal	710310
Kwik Slv (Opt Rpr)	KWK99128

SUZUKI TRUCK - SUV - Samurai, Sidekick, XL7

FRONT WHEEL

1989	Sidekick	
Seal (inner)	710240[2]
Bearing Assy (inner)	517009[2]
Seal (outer)	710239[2]
1989-1985	Samurai	
Seal (inner)	1948[2]
Cone/Cup	LM300849-LM300811[2]

REAR WHEEL

1989	Sidekick	
Seal (inner)	224820[2]
Bearing (inner)	511004[2]
Seal (outer)	710193[2]
1989-1985	Samuari	
Seal	224820[2]
Bearing	511002[2]

4WD

1989	Sidekick	
Seal (inner)	710240[2]
Bearing Assy (inner)	517009[2]
Seal (outer)	710239[2]
1989-1985	Samuari	
Seal (inner)	1948[2]
Cone/Cup	LM300849-LM300811[2]

4WD FRONT AXLE

Axle Shaft

1989-1986	SJF, SKF	
Seal	710330[2]
Bearing	206FF[2]

SUZUKI TRUCK - SUV - Samurai, Sidekick, XL7 (cont.)

4WD FRONT AXLE

Differential

1989-1986 SJF, SKF
Cone/Cup 17887-17831[2]

Pinion

1989 SKF
Bearing Assy (inner) 30307M
Seal (outer) 710523
Bearing Assy (outer) 30306M
1989-1982 SJF
Bearing Assy (inner) 30307M
Seal Viton (outer) 350572
Bearing Assy (outer) 30306M
Kwik Slv (Opt Rpr) KWK99147

Steering Knuckle

1989-1986 SJF, SKF
Seal (inner) 710255
Seal (outer) 710256

REAR AXLE

Differential

1989-1986 SJR, SKR
Cone/Cup 17887-17831[2]

Pinion

1989 SKR
Bearing Assy (inner) 30307M
Seal (outer) 710523
Bearing Assy (outer) 30306M
1989-1986 SJR
Bearing Assy (inner) 30307M
Seal Viton (outer) 350572
Bearing Assy (outer) 30306M
Kwik Slv (Opt Rpr) KWK99147

TRANSFER CASE REBUILD KIT

1989 Sidekick
Kit TRKFS140
1989-1985 Samuari
Kit TRKFS120

TRANSFER CASE

Input Shaft

1989 Sidekick
Seal 223540
Bearing 207
Kwik Slv (Opt Rpr) KWK99139
1989-1986 Samurai
Seal (outer) 223843
Bearing (outer) RW122
Kwik Slv (Opt Rpr) KWK99147

TRANSFER CASE

Front Output Shaft

1989 Sidekick
Bearing (inner) 306L
Seal (outer) 1213N
Bearing (outer) RW122
Kwik Slv (Opt Rpr) KWK99157
1989-1986 Samuari
Bearing (inner) 306L
Seal Viton (outer) 1965
Bearing (outer) RW122

Rear Output Shaft

1989 Sidekick
Seal 1213N
Bearing RW122[2]
Kwik Slv (Opt Rpr) KWK99157
1989-1986 Samuari
Seal Viton 1965
Bearing RW122
Kwik Slv (Opt Rpr) KWK99147

TRANSMISSION REBUILD KIT

1989-1987 Sidekick
Kit TRKFS130
1989-1986 Samuari
Kit TRKFS100

3-SPEED AUTOMATIC TRANSMISSION

Torque Converter

1989 3L30
Seal 6712NA
Kwik Slv (Opt Rpr) KWK99187

Rear Seal/Ext. Housing

1989 3L30
Seal 473823

Selector Shaft Seal/Man. Shaft

1989 3L30
Seal 8792S

4-SPEED AUTOMATIC TRANSMISSION

Torque Converter

1988-1986 Aisin A440
Seal Viton 2025
Kwik Slv (Opt Rpr) KWK99269

Rear Seal/Ext. Housing

1988-1986 Aisin A440
Seal 224820

Bearings and Seals

Mfg./Year Model & Location Part No Mfg./Year Model & Location Part No

SUZUKI TRUCK - SUV - Samurai, Sidekick, XL7 (cont.)

4-SPEED AUTOMATIC TRANSMISSION

Selector Shaft Seal/Man. Shaft

1988-1986 Aisin A440
 Seal 221207
 Kwik Slv (Opt Rpr)KWK99049

CLUTCH - 4 CYLINDER

Pilot Bearing

1989-1986
 Bearing 200CC

Release Bearing

1989-1986
 Bearing Assy 614056
 Bearing Only01496

5-SPEED MANUAL TRANSMISSION

Front Input Shaft

1989 Sidekick
 Seal 222535
 Kwik Slv (Opt Rpr)KWK99098

Countershaft

1989-1986 Samuari
 Bearing (rear)304WB

Rear Output Shaft

1989 Sidekick
 Seal 222580
 Kwik Slv (Opt Rpr)KWK99098
1989-1986 Samuari
 Bearing (rear) 305AG

Extension Housing

1989-1986 Samuari
 Seal 223215

A/C COMPRESSOR

1989-1987 Nippondenso Axial
 Bearing 5000KFF

ALTERNATOR

1989-1982
 Bearing (drive end)202FF

CAMSHAFT SEAL

4 Cylinder

1989 1590cc/1.6L
 Seal 710310
 Kwik Slv (Opt Rpr)KWK99128
1989-1985 1300cc/1.3L
 Seal 710310
 Kwik Slv (Opt Rpr)KWK99128

CRANKSHAFT REAR SEAL

4 Cylinder

1989 1590cc/1.6L
 Seal 710334
1989-1985 1300cc/1.3L
 Seal 710334

TIMING COVER

4 Cylinder

1989 1590cc/1.6L
 Seal 710310
 Kwik Slv (Opt Rpr)KWK99128
1989-1985 1300cc/1.3L
 Seal 710310
 Kwik Slv (Opt Rpr)KWK99128

TOYOTA - FRONT DRIVE - Camry, Camry AWD, Celica, Celica AWD, Corolla, Corolla AWD, Corolla FX, Tercel, Tercel Wagon 4WD

FRONT WHEEL

1989-1988 Corolla (w/o ABS)
 Seal (inner) 1993[2]
 Bearing (inner) 510007[2]
 Seal (outer) 4898[2]
 Hub Assy 518507[2]⁶²
1989-1987 Tercel
 Seal (inner) 225673[2]
 Bearing (inner) 510002[2]
 Seal (outer) 225410[2]

FRONT WHEEL (cont.)

1989-1983 Camry
 Seal (inner) 4899[2]
 Bearing (inner) 514002B[2]
 Seal (outer) 225220[2]
 Hub Assy 518506[2]⁶²
1989-1988 Corolla FX
 Seal (inner) 4899[2]
 Bearing (inner) 514002B[2]
 Seal (outer) 225220[2]

522 [] Indicates Quantity Required; Set Components Listed Inside Rear Cover;

⁶² Kit incl: Hub & Bearing, Seal, Mounting Bolts

TOYOTA - FRONT DRIVE - Camry, Camry AWD, Celica, Celica AWD, Corolla, Corolla AWD, Corolla FX, Tercel, Tercel Wagon 4WD (cont.)

FRONT WHEEL (cont.)

1989-1986	Celica	
	Seal (inner)	4899[2]
	Bearing (inner)	514002B[2]
	Seal (outer)	225220[2]
1987-1984	Corolla front-drive	
	Bearing	514002B[2]
	Seal (inner)	4899[2]
	Seal (outer)	225220[2]
1986-1983	Tercel	
	Bearing	513002[2]

REAR WHEEL

1989-1986	Celica: FWD	
	Seal	224210[2]
	Bearing	513022[2]
1989-1984	Corolla: FWD	
	Seal	1180S[2]
	Bearing	513031[2]
1989-1988	Camry All-Trac: 4WD	
	Seal (inner)	4899[2]
	Bearing (inner)	514002B[2]
	Seal (outer)	225275[2]
1989-1987	Camry: FWD	
	Seal	224210[2]
	Bearing	513022[2]
1989-1987	Camry Station Wagon	
	Seal	224210[2]
	Bearing Module	512009
1988-1983	Cressida: independent suspension	
	Seal (inner)	223840[2]
	Bearing Assy (inner)	32006X[2]
	Seal (outer)	224820[2]
	Set (outer)	SET17
1988-1983	Tercel Wagon: 4WD	
	Seal	224210[2]
	Bearing	88506BR[2]
1987-1984	Tercel Wagon: fwd	
	Seal	1180S[2]
	Bearing	513031[2]
1987-1980	Tercel Sedan	
	Seal (inner)	223605[2]
	Bearing Assy (inner)	32005X[2]
	Set (outer)	SET1

FRONT AXLE

Pinion

1988-1987	Camry	
	Bearing Assy (inner)	30208M
1988-1987	Celica	
	Bearing Assy (inner)	30208M
1988-1984	Corolla	
	Bearing Assy (inner)	30208M
	Bearing Assy (outer)	30207M
1988-1980	Tercel	
	Bearing Assy (inner)	30208M
1986-1983	Camry	
	Bearing Assy (inner)	30208M
	Bearing Assy (outer)	30207M

REAR AXLE

Differential

1989-1988	Corolla All-Trac: 4WD	
	Set	SET45
1988-1983	Tercel Wagon: 4WD	
	Set	SET5

Pinion

1989-1988	Corolla All-Trac: 4WD	
	Cone/Cup	HM88649-HM88610[2]
	Seal (outer)	1176S
	Kwik Slv (Opt Rpr)	KWK99147
1989-1988	Camry All-Trac: 4WD	
	Cone/Cup	HM88649-HM88610[2]
	Seal (outer)	1176S
1989-1988	Celica All-Trac 4WD	
	Cone/Cup	HM88649-HM88610[2]
	Seal (outer)	1176S
1988-1983	Tercel Wagon: 4WD	
	Cone/Cup (inner)	M86649-M86610
	Seal (outer)	223542
	Bearing (outer)	32005C
	Kwik Slv (Opt Rpr)	KWK99139

TRANSFER CASE REBUILD KIT

1989	S100	
	Kit	TRKFT740
1989-1988	S125	
	Kit	TRKFT750
1989-1987	S110	
	Kit	TRKFT740
1989-1987	S120	
	Kit	TRKFT750

TRANSFER CASE

Rear Output Shaft

1989-1987	S100, S110, S120	
	Seal	1175
	Kwik Slv (Opt Rpr)	KWK99147

Idler Shaft

1989-1987	S110, S120	
	Seal (LH)	710528
	Seal (RH)	710527

Side Gear

1989-1988	S100	
	Seal	710143
1989-1988	S110, S120: automatic trans	
	Seal	710137
1989-1988	S110, S120: manual trans.	
	Seal	710143

Bearings and Seals

Mfg./Year Model & Location Part No Mfg./Year Model & Location Part No

TOYOTA - FRONT DRIVE - Camry, Camry AWD, Celica, Celica AWD, Corolla, Corolla AWD, Corolla FX, Tercel, Tercel Wagon 4WD (cont.)

CLUTCH - 4 CYLINDER

Pilot Bearing

1989-1984 1456cc/1.5L, 1496/1.5L,
1587cc/1.6L, 1762cc/1.8L
Cyl. BearingMSNB5305GTBV
1988-1980 1452cc/1.5L
Bearing 101SS

Release Bearing

1989-1988 1456cc/1.5L, 1496/1.5L (190mm
Clutch)
Bearing Assy 614043
1989-1988 1998cc/2.0L (DOHC & TURBO)
(235mm Clutch)
Bearing Assy 614084
1989-1987 1998cc/2.0L (DOHC), (225mm
Clutch)
Bearing Assy 614147
1989 1456cc/1.5L, (212mm Clutch)
Bearing Assy 614043
1989-1984 1587cc/1.6L, (200mm Clutch)
Bearing Assy 614043
1988-1980 1452cc/1.5L, (190mm Clutch)
Bearing Only 613010
1986-1983 1839cc/1.8L, 1974cc/2.0L:
(Diesels), (225mm Clutch)
Bearing Assy 614147
1985-1984 1839cc/1.8L, (Diesel), (212mm
Clutch)
Bearing Assy 614147

CLUTCH - 6 CYLINDER

Release Bearing

1989-1988 2507cc/2.5L, (235mm Clutch)
Bearing Assy 614084

3-SPEED AUTOMATIC TRANSAXLE

Torque Converter

1989-1980 A55, A55F, A130L, A131L,
A132L
Seal 223830
Kwik Slv (Opt Rpr)KWK99147

Output Shaft

1989-1984 A130L, A131L, A132L
Seal 710110[2]
1988-1980 A55, A55F
Seal 223240[2]

Differential

1989-1984 A130L, A131L, A132L
Seal 710416[2]
1988-1980 A55, A55F
Bearing32007C[2]

3-SPEED AUTOMATIC TRANSAXLE

Pinion

1989 A132L
Bearing Assy (rear)30208M

Selector Shaft Seal/Man. Shaft

1989-1984 A130L, A131L, A132L
Seal 221207
Kwik Slv (Opt Rpr)KWK99049
1988-1980 A55, A55F
Seal 220818

4-SPEED AUTOMATIC TRANSAXLE

Differential

1989-1983 A140E, A140L, A242L, A245E
Seal 710416[2]

Torque Converter

1989-1983 A140E, A140L, A240E, A240L,
A241E, A241H, A241L, A242L,
A243L, A244E, A245E, A246E,
A540E, A540H, A541E
Seal 223830
Kwik Slv (Opt Rpr)KWK99147

Input Shaft

1989-1985 A240E, A240L, A241E, A241H,
A241L, A243L, A244E, A246E
Seal 710138
Kwik Slv (Opt Rpr)KWK99139

Output Shaft

1989-1985 A240E, A240L, A241E, A241H,
A241L, A242L, A243L, A244E,
A245E, A246E
Seal (LH) 710109
Seal (RH) 710110
1989-1983 A140E, A140L
Seal 223540[2]
Kwik Slv (Opt Rpr)KWK99139[2]
1989-1988 A540E, A540H, A541E
Seal (LH) 712551
Seal (RH) 710112

Selector Shaft Seal/Man. Shaft

1989-1983 A140E, A140L, A240E, A240L,
A241E, A241H, A241L, A242L,
A243L, A244E, A245E, A246E,
A540E, A540H, A541E
Seal 221207
Kwik Slv (Opt Rpr)KWK99049

TOYOTA - FRONT DRIVE - Camry, Camry AWD, Celica, Celica AWD, Corolla, Corolla AWD, Corolla FX, Tercel, Tercel Wagon 4WD (cont.)

4-SPEED MANUAL TRANSAXLE

Differential

1989-1986 C141	
Bearing Assy (LH)	32207M
1989-1980 Z41, Z42, Z44, Z46	
Bearing	32007C[2]

Input Shaft

1989-1986 C140, C141	
Seal	320603
Bearing	101SS
Kwik Slv (Opt Rpr)	KWK99098
1988-1980 Z41, Z42, Z44, Z46	
Seal	222655
Kwik Slv (Opt Rpr)	KWK99103

Output Shaft

1989-1986 C140, C141	
Seal (LH)	710109
Seal (RH)	710110
1988-1980 Z41, Z42, Z44, Z46	
Seal	223240[2]

Selector Shaft Seal/Man. Shaft

1989-1986 C140, C141	
Seal	1015N
Kwik Slv (Opt Rpr)	KWK99085

5-SPEED MANUAL TRANSAXLE

Differential

1989-1986 C150, C151	
Bearing Assy (LH)	32207M
1988-1980 Z51, Z52, Z53	
Bearing	32007C[2]

Input Shaft

1989-1984 C50, C51, C52, C150, C151	
Seal	320603
Bearing	101SS
Kwik Slv (Opt Rpr)	KWK99098
1989-1983 S50, S51, E53, S53	
Seal	223010
Kwik Slv (Opt Rpr)	KWK99114
1989-1986 E50F2, E55F2, E55F5, E56F2, E56F5, E57F5, E150F, S54	
Seal Viton	710172
Kwik Slv (Opt Rpr)	KWK99123
1986-1980 Z51, Z52, Z53	
Seal	222655
Kwik Slv (Opt Rpr)	KWK99103

Output Shaft

1989-1984 C50, C51, C52, C150, C151	
Seal (LH)	710109
Seal (RH)	710110
1989-1983 S50, S51, S53, S54	
Seal	223540[2]
Kwik Slv (Opt Rpr)	KWK99139[2]

5-SPEED MANUAL TRANSAXLE

(cont.)

Output Shaft (cont.)

1989-1988 E50F2, E55F2, E55F5 (non-ABS)	
Seal (LH)	710115
Seal (RH)	710143
1989-1988 E50F2, E55F2, E55F5 (ABS)	
Seal (LH)	710112
Seal (RH)	710143
1989-1988 E56F2, E56F5, E57F5	
Seal (LH)	710115
Seal (RH)	710143
1989-1986 E52, E150F	
Seal	710112[2]
1988-1986 Z51, Z52, Z53	
Seal	223240[2]

Selector Shaft Seal/Man. Shaft

1989-1984 exc. S50, S51, S53, S54	
Seal	1015N
Kwik Slv (Opt Rpr)	KWK99085
1989-1983 S50, S51, S53, S54	
Seal	221207
Kwik Slv (Opt Rpr)	KWK99049

Extension Housing

1989-1986 E50F2, E55F2, E55F5, E56F2, E56F5, E57F5, E150F	
Seal	1175
1988-1980 Z51, Z52, Z53	
Seal	221410

6-SPEED MANUAL TRANSAXLE

Input Shaft

1988-1980 Z52F, Z54F	
Seal	222655
Kwik Slv (Opt Rpr)	KWK99103

Output Shaft

1988-1980 Z52F, Z54F	
Seal	223240[2]

Differential

1988-1980 Z52F, Z54F	
Bearing	32007C[2]

ALTERNATOR

1989-1987 Nippondenso 70 amp	
Bearing (rear end)	302CC
1989-1987 Nippondenso 55 amp	
Bearing (drive end)	303CC
Bearing (rear end)	302CC
1989-1987 Nippondenso 60 amp	
Bearing (drive end)	204FF
Bearing (rear end)	302CC
1989-1985 Nippondenso 50 amp	
Bearing (drive end)	303CC
Bearing (rear end)	201CC

Bearings and Seals

Mfg./Year Model & Location Part No Mfg./Year Model & Location Part No

TOYOTA - FRONT DRIVE - Camry, Camry AWD, Celica, Celica AWD, Corolla, Corolla AWD, Corolla FX, Tercel, Tercel Wagon 4WD (cont.)

ALTERNATOR (cont.)

1986-1983	Nippondenso 60 amp	
	Bearing (drive end)	302CC
	Bearing (rear end)	204FF
1986-1980	Nippondenso 55 amp	
	Bearing (drive end)	203FF
	Bearing (rear end)	201CC
1985-1980	Nippondenso 50 amp	
	Bearing (drive end)	203FF
	Bearing (rear end)	201CC

DRIVESHAFT SUPPORT

1988-1983	Tercel Wagon: 4WD	
	Hanger Bearing Assy	HB7

POWER STEERING

Pitman Shaft

1989-1983	Camry, Celica, Corolla, Paseo, Tercel, Wagon	
	Seal	221510

Pump Shaft

1989-1984	Avalon, Corolla	
	Seal	710412
1989-1983	Camry, Celica, Corolla, Paseo, Tercel, Wagon	
	Seal	710156

Sector Shaft

1989-1983	Camry, Camry AWD	
	Seal	222820

Worm Shaft

1989-1986	Celica	
	Seal	710303
1989-1986	Corolla	
	Seal (lower)	710155
	Seal (upper)	710154

CAMSHAFT SEAL

4 Cylinder

1989-1987	1496cc/1.5L, 1587cc/1.6L, 1762cc/1.8,	
	Seal	1987S
	Kwik Slv (Opt Rpr)	KWK99139
1989-1983	1839cc/1.8L, (Diesle)	
	Seal	223801
	Kwik Slv (Opt Rpr)	KWK99147
1989-1980	1452cc/1.5L, 1456cc/1.5L, 1497cc/1.5L, 1587cc/1.6L, 1762cc/1.8L	
	Seal	1987S
	Kwik Slv (Opt Rpr)	KWK99139
1989-1986	1998cc/2.0L (w/o Turbo)	
	Seal	223801
	Kwik Slv (Opt Rpr)	KWK99147

CAMSHAFT SEAL (cont.)

4 Cylinder (cont.)

1989-1986	1998cc/2.0L (w/ Turbo)	
	Seal	1987S
	Kwik Slv (Opt Rpr)	KWK99139
1986	1974cc/2.0L: (Turbo-Diesel)	
	Seal	223802
	Kwik Slv (Opt Rpr)	KWK99147

6 Cylinder

1989-1988	2507cc/2.5L	
	Seal	223801
	Kwik Slv (Opt Rpr)	KWK99147

CRANKSHAFT REAR SEAL

4 Cylinder

1989-1987	1456cc/1.5L, 1497/1.5L	
	Seal	228015
	Kwik Slv (Opt Rpr)	KWK99315
1989-1986	1998cc/2.0L, 2164cc/2.2L	
	Seal	716102
	Kwik Slv (Opt Rpr)	KWK99333
1989-1980	1452cc/1.5L, 1587cc/1.6L, 1762cc/1.8L	
	Seal	227045
	Kwik Slv (Opt Rpr)	KWK99272
1989-1988	1998cc/2.0L	
	Seal Viton	710189
	Kwik Slv (Opt Rpr)	KWK99349
1989-1986	1998cc/2.0L	
	Seal	716102
	Kwik Slv (Opt Rpr)	KWK99333
1986-1984	1839cc/1.8L, 1974cc/2.0L: (diesels)	
	Seal	229010
	Kwik Slv (Opt Rpr)	KWK99354

6 Cylinder

1989-1988	2507cc/2.5L, 2958cc/3.0L, 2995cc/3.0L	
	Seal Viton	229210
	Kwik Slv (Opt Rpr)	KWK99360

TIMING COVER

4 Cylinder

1989-1987	1456cc/1.5L, 1497/1.5L	
	Seal	223235
	Kwik Slv (Opt Rpr)	KWK99139
1989-1983	1839cc/1.8L, 1974cc/2.0L, 1995cc/2.0L, 1998cc/2.0L	
	Seal	1953S
	Seal Viton Opt	2025
	Kwik Slv (Opt Rpr)	KWK99169
1988-1980	1452cc/1.5L	
	Seal	223235
	Kwik Slv (Opt Rpr)	KWK99128

TOYOTA - FRONT DRIVE - Camry, Camry AWD, Celica, Celica AWD, Corolla, Corolla AWD, Corolla FX, Tercel, Tercel Wagon 4WD (cont.)

TIMING COVER

6 Cylinder

1989-1988	2507cc/2.5L, 2958cc/3.0L	
Seal		224020
Kwik Slv (Opt Rpr)		KWK99157

TOYOTA - REAR DRIVE - Carina, Celica, Corolla, Corona, Corona Mark II, Cressida, Starlet, Supra

FRONT WHEEL

1989	Cressida	
Seal		224870[2]
Bearing		513150[2]
1989-1978	Supra	
Seal		1941[2]
Bearing		510017[2]
1989-1985	MR2	
Seal		1180S[2]
Bearing		513031[2]
1988-1976	Cressida	
Seal (inner)		224820[2]
Set (inner)		SET6
Set (outer)		SET2
1987-1975	Corolla	
Seal (inner)		1950[2]
Set (inner)		SET8
Set (outer)		SET1
1986-1980	Cressida	
Seal (inner)		224820[2]
Set (inner)		SET6
Set (outer)		SET2
1986-1979	Supra	
Seal (inner)		224820[2]
Set (inner)		SET6
Set (outer)		SET2
1985-1976	Celica	
Seal (inner)		224820[2]
Set (inner)		SET6
Set (outer)		SET2
1984-1981	Starlet	
Seal (inner)		224015[2]
Set (inner)		SET4
Set (outer)		SET1
1982-1974	Corona	
Seal (inner)		224820[2]
Set (inner)		SET6
Set (outer)		SET2
1976-1973	Mark II	
Seal (inner)		224820[2]
Set (inner)		SET6
Set (outer)		SET2
1975	Celica	
Seal (inner)		1950[2]
Set (inner)		SET8
Set (outer)		SET1

FRONT WHEEL (cont.)

1974	Celica: production from 4/74 on	
Seal (inner)		1950[2]
Set (inner)		SET8
Set (outer)		SET1
1974	Corolla: production from 4/74 on	
Seal (inner)		1950[2]
Set (inner)		SET8
Set (outer)		SET1
1974-1971	Celica: production thru 4/74	
Seal (inner)		1178S[2]
Set (inner)		SET4
Set (outer)		SET1
1974-1967	Corolla: production thru 4/74	
Seal (inner)		1178S[2]
Set (inner)		SET4
Set (outer)		SET1
1973-1972	Carina	
Seal (inner)		1178S[2]
Set (inner)		SET4
Set (outer)		SET1
1973-1972	Corona	
Seal (inner)		1178S[2]
Set (inner)		SET4
Set (outer)		SET1
1972	Mark II: from 1/72	
Seal (inner)		224820[2]
Set (inner)		SET6
Set (outer)		SET2
1972	Mark II: to 1/72	
Seal (inner)		1178S[2]
Set (inner)		SET4
Set (outer)		SET1
1972-1965	Crown	
Seal (inner)		224820[2]
Set (inner)		SET6
Set (outer)		SET2
1971-1967	Corona	
Seal (inner)		1178S[2]
Set (inner)		SET4
Set (outer)		SET1
1971-1967	Mark II	
Seal (inner)		1178S[2]
Set (inner)		SET4
Set (outer)		SET1
1964-1958	all	
Cone/Cup (inner)		15123-15245[2]
Cone/Cup (outer)		09067-09195[2]

Bearings and Seals

Mfg./Year Model & Location Part No Mfg./Year Model & Location Part No

TOYOTA - REAR DRIVE - Carina, Celica, Corolla, Corona, Corona Mark II, Cressida, Starlet, Supra (cont.)

REAR WHEEL

1989-1987	Supra	
Seal (inner)	1935[2]
Bearing (inner)	511007[2]
Seal (outer)	1928[2]
1989	Cressida	
Seal (inner)	1935[2]
Bearing (inner)	511007[2]
Seal (outer)	1928[2]
1989-1988	Tercel	
Seal (inner)	223605[2]
Bearing Assy (inner)	32005X[2]
Seal (outer)	225775[2]
Set (outer)	SET1
1989-1985	MR2	
Seal	5696[2]
Bearing	514002B[2]
1987-1984	Corolla GTS: disc brakes	
Seal	1955[2]
Bearing	514000[2]
1987-1984	Corolla: drum brakes	
Seal	224210[2]
Bearing	88506BR[2]
1986-1982	Supra	
Seal (inner)	223840[2]
Bearing Assy (inner)	32006X[2]
Seal (outer)	224820[2]
Set (outer)	SET17
1986-1982	Celica: independent suspension	
Seal (inner)	223840[2]
Bearing Assy (inner)	32006X[2]
Seal (outer)	224820[2]
Set (outer)	SET17
1986-1976	Celica: solid axle	
Seal	1955[2]
Bearing	RW124R[2]
1984-1981	Starlet	
Seal	224810[2]
Bearing	88506BR[2]
1983	Cressida: solid axle	
Seal	1955[2]
Bearing	RW124R[2]
1983-1980	Corolla Sedan	
Seal	224210[2]
Bearing	88506BR[2]
1983-1978	Corolla 1800 Wagon	
Seal	224210[2]
Bearing	RW129R[2]
1983-1975	Corolla 1600 Wagon	
Seal	224210[2]
Bearing	RW124R[2]
1982-1978	Cressida	
Seal	1955[2]
Bearing	RW124R[2]
1982-1974	Corona	
Seal	1955[2]
Bearing	RW124R[2]
1981-1979	Supra	
Seal	1955[2]
Bearing	514000[2]

REAR WHEEL (cont.)

1981-1979	Celica Supra	
Seal	1955[2]
Bearing	514000[2]
1979-1975	Corolla 1600 SR-5	
Seal	1955[2]
Bearing	RW124R[2]
1979-1966	Corolla 1200, 1600	
Seal	224210[2]
Bearing	88506BR[2]
1975-1970	Celica	
Seal	224210[2]
Bearing	88506BR[2]
1973-1972	Carina	
Seal	224210[2]
Bearing	88506BR[2]
1973-1968	Corona Wagon and 6-cylinder	
Seal	1955[2]
Bearing	RW124R[2]
1973-1968	Corona exc. Wagon and 6-cylinder	
Seal	224210[2]
Bearing	88506BR[2]
1972-1965	Crown Wagon	
Seal	1960[2]
Bearing	88107AR[2]
1972-1965	Crown Sedan	
Seal	1955[2]
Bearing	RW124R[2]

REAR AXLE

Differential Rebuild Kit

1989-1987	7.5" ring gear, w/o Turbo	
Kit	DRK350

Differential

1989-1987	7.8" ring gear	
Seal	710142[2]
1988-1983	7.3" ring gear	
Seal	223843[2]
1988-1980	7.1" ring gear	
Cone/Cup	17887-17831[2]
1987-1971	6.7" ring gear	
Set	SET45
1986-1984	7.5" ring gear	
Seal	2009S[2]
Cone/Cup	17887-17831[2]
1984-1967	6.38" ring gear	
Set	SET5
1984-1967	6" ring gear	
Set	SET5
1983-1982	7.5" ring gear: exc. posi-trac	
Cone/Cup	17887-17831[2]
1983-1982	7.5" ring gear: posi-trac	
Bearing Assy	32010X[2]
1982-1981	5.6" ring gear	
Cone/Cup	15123-15245[2]
1979-1972	7.5" ring gear: exc. posi-trac	
Cone/Cup	17887-17831[2]

TOYOTA - REAR DRIVE - Carina, Celica, Corolla, Corona, Corona Mark II, Cressida, Starlet, Supra (cont.)

REAR AXLE (cont.)

Differential (cont.)

1979-1958	7.1" ring gear	
	Cone/Cup	17887-17831[2]

Pinion

1989-1980	7.3" ring gear	
	Bearing Assy (inner)	32307
	Seal (outer)	1177
	Bearing Assy (outer)	30306M
1989-1980	7.8" ring gear	
	Bearing Assy (inner)	32307
	Seal (outer)	1177
	Bearing Assy (outer)	30306M
1989-1958	7.1" ring gear	
	Bearing Assy (inner)	32307
	Seal (outer)	1177
	Bearing Assy (outer)	30306M
1989-1958	7.5" ring gear	
	Bearing Assy (inner)	32307
	Seal (outer)	1177
	Bearing Assy (outer)	30306M
1987-1971	6.7" ring gear	
	Cone/Cup (inner)	HM88649-HM88610
	Seal (outer)	1176S
	Cone/Cup (outer)	M86649-M86610
	Kwik Slv (Opt Rpr)	KWK99147
1984-1981	5.6" ring gear	
	Cone/Cup (inner)	M86649-M86610
	Seal (outer)	223542
	Kwik Slv (Opt Rpr)	KWK99147
1984-1981	6" ring gear	
	Cone/Cup (inner)	M86649-M86610
	Seal (outer)	223542
	Kwik Slv (Opt Rpr)	KWK99147
1983-1967	6.38" ring gear	
	Cone/Cup (inner)	M88048-M88010
	Seal (outer)	1176S
	Cone/Cup (outer)	M86649-M86610
1979-1968	6" ring gear	
	Cone/Cup (inner)	M86649-M86610
	Seal (outer)	223542
	Bearing (outer)	32005C
	Kwik Slv (Opt Rpr)	KWK99139

TRANSMISSION REBUILD KIT

1989-1984	W55, W56, W58 EFI Motor	
	Kit	TRKFT150
1984-1974	W50	
	Kit	TRKFT100

3-SPEED AUTOMATIC TRANSMISSION

Torque Converter

1982-1971	A40	
	Seal	223830
	Kwik Slv (Opt Rpr)	KWK99147
1976-1967	A30	
	Seal	320564
	Kwik Slv (Opt Rpr)	KWK99177

Rear Seal/Ext. Housing

1982-1980	A40	
	Seal	710319
1979	A43D	
	Seal	1177
1979-1967	A30	
	Seal	1177
1979-1967	A40	
	Seal	1177

4-SPEED AUTOMATIC TRANSMISSION

Torque Converter

1989-1980	A40D, A42DL, A43D, A43DL, A43DE, A340E	
	Seal	223830
	Kwik Slv (Opt Rpr)	KWK99147
1979	A43D	
	Seal	223830
	Kwik Slv (Opt Rpr)	KWK99147

Rear Seal/Ext. Housing

1989-1986	A340E	
	Seal	3459S
1987-1980	A40D, A42DL, A43D, A43DL, A43DE	
	Seal	710319

Selector Shaft Seal/Man. Shaft

1989-1986	A340E	
	Seal	221207
	Kwik Slv (Opt Rpr)	KWK99049

CLUTCH - 4 CYLINDER

Pilot Bearing

1989-1985	1587cc/1.6L	
	Cyl. Bearing	MSNB5305GTBV
1987-1980	1587cc/1.6L	
	Bearing	101SS
1985-1980	2366cc/2.4L	
	Bearing	201CC
1985-1961	2189cc/2.2L	
	Bearing	201CC
1984-1980	1290cc/1.3L	
	Bearing	101SS
1982-1980	1770cc/1.8L	
	Bearing	101SS
1979-1968	1077cc/1.1L	
	Bearing	101SS
1979-1968	1166cc/1.2L	
	Bearing	101SS
1979-1968	1588cc/1.6L	
	Bearing	101SS
1979-1961	1858cc/1.9L	
	Bearing	201CC
1979-1961	1897cc/1.9L	
	Bearing	201CC
1979-1961	1968cc/2.0L	
	Bearing	201CC

Bearings and Seals

Mfg./Year Model & Location Part No Mfg./Year Model & Location Part No

TOYOTA - REAR DRIVE - Carina, Celica, Corolla, Corona, Corona Mark II, Cressida, Starlet, Supra (cont.)

CLUTCH - 4 CYLINDER (cont.)

Pilot Bearing (cont.)

1964-1958 1453cc/1.5L
Bearing201S

CLUTCH - 6 CYLINDER

Pilot Bearing

1989-1986 2954/3.0L
Bearing201CC
1989-1980 2759cc/2.8L
Bearing201CC
1981-1979 2563cc/2.6L
Bearing201CC
1976-1968 2253cc/2.3L
Bearing201CC
1976-1968 2563cc/2.6L
Bearing201CC

CLUTCH - 4 CYLINDER

Release Bearing

1989-1988 1587cc/1.6L, (225mm Clutch)
Bearing Assy 614084
1989-1986 1587cc/1.6L, (212mm Clutch)
Bearing Assy 614043
1987-1983 1587cc/1.6L, (200mm Clutch)
Bearing Only 613010
1985 1587cc/1.6L, (200mm Clutch)
Bearing Assy 614043
1985-1980 2366cc/2.4L
Bearing Only 613010
1985-1979 2189cc/2.2L
Bearing Only 613010
1982-1980 1770cc/1.8L
Bearing Only 613010
1979-1978 1588cc/1.6L
Bearing Assy 614003
1979-1975 1166cc/1.2L
Bearing Assy 614004
1978 2189cc/2.2L
Bearing Assy 614002
1977-1975 1588cc/1.6L
Bearing Assy 614001
1977-1972 1968cc/2.0L
Bearing Assy 614000
1973-1971 1588cc/1.6L
Bearing Only01496
1972-1969 1858cc/1.9L
Bearing Assy 614000

CLUTCH - 6 CYLINDER

Release Bearing

1989 2954cc/3.0L (236mm Clutch)
Bearing Assy 614088
1989-1987 2954cc/3.0L (DOHC & TURBO),
240mm Clutch
Bearing Assy 614085
1988-1982 2759cc/2.8L
Bearing Only 613010

CLUTCH - 6 CYLINDER (cont.)

Release Bearing (cont.)

1988-1982 2954/3.0L
Bearing Only 613010
1981-1980 2759cc/2.8L
Bearing Only 613010
1981-1979 2563cc/2.6L
Bearing Only 613010
1976-1968 2253cc/2.3L
Bearing Assy 614006
1976-1968 2563cc/2.6L
Bearing Assy 614006

3-SPEED MANUAL TRANSMISSION

Front Input Shaft

1970-1958 N30, N31
Seal 222535
Bearing207SL
Kwik Slv (Opt Rpr)KWK99098

Rear Output Shaft

1970-1958 N30, N31
Seal 223840
Bearing 306L

4-SPEED MANUAL TRANSMISSION

Input Shaft

1984-1980 K40, T40
Seal 222535
Bearing 206L
1980-1968 W40
Seal 223240
Kwik Slv (Opt Rpr)KWK99128

Countershaft

1982-1971 T40
Bearing (front)304L
1980 W40
Bearing (front)205L
1979-1968 W40
Bearing (front)205L
Bearing (rear) RW122

Rear Output Shaft

1984-1980 K40, T40
Seal 710306
Bearing 305L
1980 W40
Seal 710319
Bearing RW122
1979-1971 T40
Seal 710306
1979-1971 K40
Seal 710306
Bearing 305L
1979-1968 W40
Seal 223840

TOYOTA - REAR DRIVE - Carina, Celica, Corolla, Corona, Corona Mark II, Cressida, Starlet, Supra (cont.)

4-SPEED MANUAL TRANSMISSION

(cont.)

Rear Output Shaft (cont.)

1974-1961	L40, N40	
Seal		223840

Selector Shaft Seal/Man. Shaft

1984-1980	K40, T40	
Seal		221122

5-SPEED MANUAL TRANSMISSION

Front Input Shaft

1989-1987	R154	
Seal		223253
1989-1980	W50, W55, W58	
Seal		1981
Kwik Slv (Opt Rpr)		KWK99114
1987-1980	T50, T50A, K51	
Seal		222535
Kwik Slv (Opt Rpr)		KWK99098
1979-1974	W50	
Seal		1981
Bearing		108A
Kwik Slv (Opt Rpr)		KWK99114
1979-1971	K50, T50	
Seal		222535
Bearing		206L
Kwik Slv (Opt Rpr)		KWK99098

Countershaft

1987-1980	T50	
Bearing (front)		304L
Bearing (rear)		204
1979-1974	W50	
Bearing (front)		205L
Bearing (rear)		RW122
1979-1971	T50	
Bearing (front)		304L

Rear Output Shaft

1989-1987	R154	
Seal		3459S
1989-1981	W55, W58	
Seal		223840
1987-1980	T50, T50A, K51	
Seal		710306
Bearing		305L
1981-1980	W50	
Seal		710319
Bearing		RW122
1979-1974	W50	
Seal		223840
Bearing		108A
1979-1971	K50, T50	
Seal		710306

4-SPEED AUTOMATIC TRANSAXLE

Differential

1986	A141E	
Seal		710416[2]

Torque Converter

1989-1986	A141E, A240E, A241E	
Seal		223830
Kwik Slv (Opt Rpr)		KWK99147

Input Shaft

1989-1987	A240E, A241E	
Seal		710138
Kwik Slv (Opt Rpr)		KWK99139

Output Shaft

1989-1986	A141E, A240E, A241E	
Seal (LH)		710109
Seal (RH)		710110

Selector Shaft Seal/Man. Shaft

1989-1986	A141E, A240E, A241E	
Seal		221207
Kwik Slv (Opt Rpr)		KWK99049

5-SPEED MANUAL TRANSAXLE

Input Shaft

1989-1988	E51	
Seal		223010
Kwik Slv (Opt Rpr)		KWK99114
1989-1987	C52	
Seal		320603
Bearing		101SS
Kwik Slv (Opt Rpr)		KWK99098

Output Shaft

1989-1988	E51	
Seal Viton (LH)		224026
Kwik Slv (Opt Rpr)		KWK99157
Seal (RH)		710110
1989-1987	C52	
Seal (LH)		710109
Seal (RH)		710110

Selector Shaft Seal/Man. Shaft

1989-1987	C52	
Seal		1015N
1989-1987	E153	
Seal		1015N

ALTERNATOR

1989-1982	Nippondenso 70 amp	
Bearing (rear end)		302CC
1989-1985	Nippondenso 100 amp	
Bearing (rear end)		302CC
1989-1982	Nippondenso 80 amp	
Bearing (rear end)		302CC

Bearings and Seals

Mfg./Year Model & Location Part No Mfg./Year Model & Location Part No

TOYOTA - REAR DRIVE - Carina, Celica, Corolla, Corona, Corona Mark II, Cressida, Starlet, Supra (cont.)

ALTERNATOR (cont.)

1987	Nippondenso 50 amp	
	Bearing (drive end)	303CC
	Bearing (rear end)	201CC
1987	Nippondenso 55 amp	
	Bearing (drive end)	303CC
	Bearing (rear end)	201CC
1987	Nippondenso 60 amp	
	Bearing (drive end)	303CC
	Bearing (rear end)	201CC
1986-1980	Nippondenso 50 amp	
	Bearing (drive end)	203FF
	Bearing (rear end)	201CC
1986-1980	Nippondenso 55 amp	
	Bearing (drive end)	203FF
	Bearing (rear end)	201CC
1984-1974	Nippondenso 60 amp	
	Bearing (drive end)	303CC
	Bearing (rear end)	201CC
1982-1981	Nippondenso 40 amp	
	Bearing (drive end)	203FF
	Bearing (rear end)	201S
1982-1981	Nippondenso 45 amp	
	Bearing (drive end)	203FF
	Bearing (rear end)	201S
1979-1971	Nippondenso 45 amp	
	Bearing (drive end)	203SS
	Bearing (rear end)	201S
1979-1971	Nippondenso 50 amp	
	Bearing (drive end)	303CC
	Bearing (rear end)	201SS
1979-1971	Nippondenso 55 amp	
	Bearing (drive end)	303CC
	Bearing (rear end)	201SS
1974-1971	Nippondenso 30 amp	
	Bearing (drive end)	202S
	Bearing (rear end)	201S
1974-1968	Nippondenso 40 amp	
	Bearing (drive end)	203S
	Bearing (rear end)	201S
1973-1971	Nippondenso 60 amp	
	Bearing (drive end)	303CC
	Bearing (rear end)	201SS
1970-1968	Nippondenso 30 amp	
	Bearing (drive end)	202AG
	Bearing (rear end)	201S

GENERATOR

1968-1965	all	
	Bearing (drive end)	203AB
	Bearing (rear end)	202AG

DRIVESHAFT SUPPORT

1988-1985	Cressida	
	Hanger Bearing Assy	HB15
1985-1982	Celica	
	Hanger Bearing Assy	HB7
1985-1982	Supra	
	Hanger Bearing Assy	HB7
1984-1980	Cressida	
	Hanger Bearing Assy	HB8

DRIVESHAFT SUPPORT (cont.)

1983-1971	Corolla	
	Hanger Bearing Assy	HB11
1982-1980	Corona	
	Hanger Bearing Assy	HB15
1979-1978	Cressida	
	Hanger Bearing Assy	HB8

MANUAL STEERING

Sector Shaft

1982-1980	Celica, Corolla, Corona	
	Seal	222820
1979-1971	Carina, Celica, Corolla, Corona, Mark II	
	Seal	222820
1970-1968	Corolla	
	Seal	222535
1970-1967	Corona, Mark II	
	Seal	222820

Worm Shaft

1974-1971	Corolla	
	Seal	223005
1964-1958		
	Bearing Assy	30205M

CAMSHAFT SEAL

4 Cylinder

1989-1986	1998cc/2.0L (w/ Turbo)	
	Seal	1987S
	Kwik Slv (Opt Rpr)	KWK99139
1989-1980	1452cc/1.5L, 1456cc/1.5L, 1497cc/1.5L, 1587cc/1.6L, 1762cc/1.8L	
	Seal	1987S
	Kwik Slv (Opt Rpr)	KWK99139

6 Cylinder

1989-1986	2954/3.0L	
	Seal	1987S
	Kwik Slv (Opt Rpr)	KWK99139
1988-1982	2759cc/2.8L	
	Seal	710318
	Kwik Slv (Opt Rpr)	KWK99147

CRANKSHAFT REAR SEAL

4 Cylinder

1989-1983	1587cc/1.6L	
	Seal	227045
	Kwik Slv (Opt Rpr)	KWK99272
1989-1981	1290cc/1.3L	
	Seal	227045
	Kwik Slv (Opt Rpr)	KWK99272
1985-1980	2366cc/2.4L	
	Seal	228010
	Kwik Slv (Opt Rpr)	KWK99315

TOYOTA - REAR DRIVE - Carina, Celica, Corolla, Corona, Corona Mark II, Cressida, Starlet, Supra (cont.)

CRANKSHAFT REAR SEAL (cont.)

4 Cylinder (cont.)

1982-1980	1770cc/1.8L	
Seal	227550
Kwik Slv (Opt Rpr)	KWK99294
1980-1975	2189cc/2.2L	
Seal	228010
Kwik Slv (Opt Rpr)	KWK99315
1979-1971	1588cc/1.6L	
Seal	227550
Kwik Slv (Opt Rpr)	KWK99294
1979-1969	1858cc/1.9L, 1968cc/2.0L, 2189cc/2.2L	
Seal	228010
Kwik Slv (Opt Rpr)	KWK99315
1979-1968	1077cc/1.1L, 1166cc/1.2L	
Seal	227045
Kwik Slv (Opt Rpr)	KWK99272

6 Cylinder

1989-1986	2954cc/3.0L (DOHC & TURBO)	
Seal	228010
Kwik Slv (Opt Rpr)	KWK99315
1989-1980	2563cc/2.6L, 2759cc/2.8L	
Seal	228010
Kwik Slv (Opt Rpr)	KWK99315
1979-1968	2253cc/2.3L, 2563cc/2.6L	
Seal	228010
Kwik Slv (Opt Rpr)	KWK99315

TIMING COVER

4 Cylinder

1985-1980	2189cc/2.2L, 2366cc/2.4L	
Seal	710345
Kwik Slv (Opt Rpr)	KWK99177
1984-1980	1290cc/1.3L, 1770cc/1.8L	
Seal	710318
Kwik Slv (Opt Rpr)	KWK99147

TIMING COVER (cont.)

4 Cylinder (cont.)

1979-1969	1858cc/1.9L, 1968cc/2.0L, 2189cc/2.2L	
Seal	320564
Kwik Slv (Opt Rpr)	KWK99177
1979-1961	1077cc/1.1L, 1166cc/1.2L, 1588cc/1.6L, 1897cc/1.9L	
Seal	223840
Kwik Slv (Opt Rpr)	KWK99147

6 Cylinder

1989-1986	2954cc/3.0L (DOHC & TURBO)	
Seal	710187
1988-1982	2759cc/2.8L (DOHC)	
Seal	710313
Kwik Slv (Opt Rpr)	KWK99189
1982-1980	2563cc/2.6L	
Seal	710345
Kwik Slv (Opt Rpr)	KWK99177
1982-1980	2759cc/2.8L	
Seal	710345
Kwik Slv (Opt Rpr)	KWK99177
1979-1971	2563cc/2.6L	
Seal	320564
Kwik Slv (Opt Rpr)	KWK99177
1972-1968	2253cc/2.3L	
Seal	320564
Kwik Slv (Opt Rpr)	KWK99177

TOYOTA TRUCK - PICKUP, MINIVAN, SUV - Landcruiser, Pickup, Van Wagon, 4Runner

FRONT WHEEL

2WD

1989-1984	4Runner 4x2	
Seal (inner)	1948[2]
Set (inner)	SET5
Set (outer)	SET3
1989-1975	Pickup 4x2 exc. T100	
Seal (inner)	1948[2]
Set (inner)	SET5
Set (outer)	SET3
1989-1984	Van Wagon 4x2	
Seal (inner)	224820[2]
Set (inner)	SET6
Set (outer)	SET2

FRONT WHEEL (cont.)

2WD (cont.)

1974-1969	Hi-Lux Pickup	
Cone/Cup (inner)	15123-15245[2]
Cone/Cup (outer)	09067-09195[2]

4WD

1989-1975	Land Cruiser	
Seal (inner)	226285[2]
Cone/Cup (inner)	JLM104948-JLM104910[2]
Set (outer)	SET47

Bearings and Seals

Mfg./Year Model & Location Part No Mfg./Year Model & Location Part No

TOYOTA TRUCK - PICKUP, MINIVAN, SUV - Landcruiser, Pickup, Van Wagon, 4Runner (cont.)

FRONT WHEEL (cont.)

4WD (cont.)

1989-1984	4Runner 4x4	
Seal (inner)	710092[2]
Cone/Cup (inner) JLM104948-JLM104910[2]	
Set (outer)	SET47
1989-1975	Pickup 4x4 exc. T100	
Seal (inner)	710092[2]
Cone/Cup (inner) JLM104948-JLM104910[2]	
Set (outer)	SET47
1989-1987	Van w/4wd	
Seal (inner)	226610[2]
Bearing Assy (inner)	517012[2]
Set (outer)	SET47

REAR WHEEL

1989-1984	4Runner (exc. ABS)	
Seal (inner)	1960[2]
Bearing (inner)	RW130R[2]
Seal (outer)	1956S[2]
1989-1980	Land Cruiser: full floating axle	
Seal (inner)	226285[2]
Cone/Cup (inner) JLM104948-JLM104910[2]	
Seal (outer)	710076[2]
Set (outer)	SET47
1989-1980	Land Cruiser: semi floating axle	
Seal	1959[2]
Cyl. Bearing	513008[2]
1989-1986	Pickup: dual wheels: full floating axle	
Seal (inner)	226285[2]
Cone/Cup (inner) JLM104948-JLM104910[2]	
Seal (outer)	710076[2]
Set (outer)	SET47
1989-1969	Pickup: single wheels: semi-floating axle	
Seal (inner)	1960[2]
Bearing (inner)	RW130R[2]
Seal (outer)	1956S[2]
1989-1986	VanWagon	
Seal	1955[2]
Bearing	514001WB[2]
1989-1974	Land Cruiser: semi-floating axle exc. limited slip differential	
Seal	1959[2]
Cyl. Bearing	513008[2]
1989-1974	Land Cruiser: semi-floating axle: limited slip differential	
Seal	710076[2]
Cyl. Bearing	513008[2]
1985-1984	VanWagon	
Seal	1955[2]
Bearing	RW124R[2]
1985-1969	Hi-Lux	
Seal (inner)	1960[2]
Bearing (inner)	RW130R[2]
Seal (outer)	1956S[2]

REAR WHEEL (cont.)

1979-1975	Land Cruiser: full floating axle	
Seal (inner)	226285[2]
Cone/Cup (inner) JLM104948-JLM104910[2]	
Seal (outer)	226285[2]
Set (outer)	SET47
1979-1975	SR5	
Seal	1955[2]
Bearing	RW124R[2]
1973-1965	Land Cruiser: semi-floating axle	
Seal	1959[2]
Bearing	RW123[2]

4WD FRONT AXLE

Axle Shaft

1989-1986	IFS 7.5", 6.7" ring gear	
Bearing	B30[2]
1985-1979	7.8" ring gear	
Seal	710070[2]

Differential Rebuild Kit

1989-1979	Pickup, 7.5" ring gear	
Kit	DRK350
1989-1986	4Runner, 7.5" ring gear	
Kit	DRK350
1985-1984	8" ring gear	
Kit	DRK351

Differential

1989-1980	7.8" , 9.25" , 9.5" ring gear	
Cone/Cup	17887-17831[2]
1989-1986	IFS 7.5" ring gear	
Seal	710419[2]
Cone/Cup	17887-17831[2]
1979-1964	K052, solid suspension	
Cone/Cup	17887-17831[2]

Pinion

1989-1986	IFS 7.5" ring gear	
Bearing Assy (inner)	32307
Seal (outer)	1177
1989-1987	6.7" ring gear	
Cone/Cup (inner)	HM88649-HM88610
Seal (outer)	1176S
Cone/Cup (outer)	M86649-M86610
1989-1982	9.5" ring gear	
Seal (outer)	1177
Bearing Assy (outer)	30306M
1985-1979	7.8" ring gear	
Bearing Assy (inner)	32307
Seal (outer)	1177
Bearing Assy (outer)	30306M
1981-1980	9.25" ring gear	
Cone (inner)	31308A
Seal (outer)	1177

TOYOTA TRUCK - PICKUP, MINIVAN, SUV - Landcruiser, Pickup, Van Wagon, 4Runner (cont.)

4WD FRONT AXLE

Steering Knuckle

1989-1980	9.25", 9.5" ring gear	
	Bearing Assy	30303[2]

REAR AXLE

Differential Rebuild Kit

1989-1988	Pickup, 8" ring gear	
	Kit	DRK352
1989-1986	Pickup, 7.5" ring gear, 4Cyl. Non Turbo	
	Kit	DRK353
1989-1979	Pickup, 8" ring gear	
	Kit	DRK351
1989-1979	Pickup, 7.5" ring gear	
	Kit	DRK350
1989-1987	4Runner, 8" ring gear, V6/Turbo	
	Kit	DRK352
1989-1984	8" ring gear	
	Kit	DRK351

Differential

1989-1984	7.1", 9.5" ring gear	
	Cone/Cup	17887-17831[2]
1989-1984	7.8" ring gear	
	Cone/Cup	17887-17831[2]
1983-1980	7.8" , 9.25" , 9.5" ring gear	
	Cone/Cup	17887-17831[2]
1979-1964	K052, 7.8", 8", 9" ring gear	
	Cone/Cup	17887-17831[2]

Pinion

1989-1969	7.8" ring gear	
	Bearing Assy (inner)	32307
	Seal (outer)	1177
	Bearing Assy (outer)	30306M
1989-1987	7.1" ring gear	
	Bearing Assy (inner)	32307
	Seal (outer)	1177
	Bearing Assy (outer)	30306M
1989-1982	9.5" ring gear	
	Seal (outer)	1177
	Bearing Assy (outer)	30306M
1981-1980	9.25" ring gear	
	Cone (inner)	31308A
	Seal (outer)	1177
1979-1969	8", 9" ring gear	
	Bearing Assy (inner)	32307
	Seal (outer)	1177
	Bearing Assy (outer)	30306M
1969-1964	K052	
	Bearing Assy (inner)	30308M
	Seal (outer)	1177
	Bearing Assy (outer)	30306M

TRANSFER CASE REBUILD KIT

1987-1980	Land Cruiser	
	Kit	TRKFT240

TRANSFER CASE REBUILD KIT (cont.)

1980-1973	Land Cruiser	
	Kit	TRKFT360
1975-1969	Land Cruiser	
	Kit	TRKFT490

TRANSFER CASE

Input Shaft

1989-1979	RF1A (M/T)	
	Bearing	307L
1989-1982	H55F (A/T)	
	Seal	224874
	Bearing	210CC
	Kwik Slv (Opt Rpr)	KWK99189
1987-1982	H55F (M/T)	
	Seal	224872
	Bearing	207
	Kwik Slv (Opt Rpr)	KWK99189

Front Output Shaft

1989-1988	VF1A (M/T)	
	Seal	710114
1989-1988	VF1A (A/T)	
	Seal	710140
1989-1979	RF1A (M/T)	
	Seal	223840
	Bearing	308L
1989-1979	RF1A (A/T)	
	Seal	225874
1989-1985	H55F (2nd design)	
	Seal	224815
	Kwik Slv (Opt Rpr)	KWK99189
1985-1982	H55F (1st design)	
	Seal	224874
	Kwik Slv (Opt Rpr)	KWK99189

Rear Output Shaft

1989-1988	VF1A (M/T)	
	Seal	710114
1989-1988	VF1A (A/T)	
	Seal	710140
1989-1980	RF1A	
	Seal	223840
1989-1982	H55F	
	Bearing Assy	30307M

Idler Shaft

1989-1979	RF1A (M/T)	
	Bearing	306L

TRANSMISSION REBUILD KIT

1989-1986	H42	
	Kit	TRKFT470
1989-1983	G53	
	Kit	TRKFT440
1988-1983	G52 32TM03NX Front Bearing	
	Kit	TRKFT130
1988-1983	G52 B32-14 Front Bearing	
	Kit	TRKFT140

Bearings and Seals

Mfg./Year Model & Location Part No Mfg./Year Model & Location Part No

TOYOTA TRUCK - PICKUP, MINIVAN, SUV - Landcruiser, Pickup, Van Wagon, 4Runner (cont.)

TRANSMISSION REBUILD KIT (cont.)

1986-1981	H42	
Kit		TRKFT310
1984-1974	pickup	
Kit		TRKFT110
1983-1980	L52 74mm Front Bearing	
Kit		TRKFT110
1983-1980	L52 80mm Front Bearing	
Kit		TRKFT120
1980-1973	H41	
Kit		TRKFT290
1973-1958	J30	
Kit		TRKFT480

3-SPEED AUTOMATIC TRANSMISSION

Torque Converter

1980-1978	A40	
Seal		223830
Kwik Slv (Opt Rpr)		KWK99147
1977-1972	A30	
Seal		224560
Kwik Slv (Opt Rpr)		KWK99177

Rear Seal/Ext. Housing

1980-1978	A40	
Seal		710319
1977-1972	A30	
Seal		223840

4-SPEED AUTOMATIC TRANSMISSION

Torque Converter

1989-1984	A46DE, A46DF, A44DL, A45DL, A340E, A340H, A343F	
Seal		223830
Kwik Slv (Opt Rpr)		KWK99147
1989-1985	A440H, A440L, A442F	
Seal Viton		2025
Kwik Slv (Opt Rpr)		KWK99169

Rear Seal/Ext. Housing

1989-1985	A340E, A340F, A340H, A343F	
Seal		3459S
1989-1985	A440H, A440L, A442F	
Seal		224820
1989-1984	A46DE, A46DF, A44DL, A45DL	
Seal		710319

Selector Shaft Seal/Man. Shaft

1989-1985		
Seal		221207
Kwik Slv (Opt Rpr)		KWK99049

CLUTCH

Pilot Bearing

1989-1980	Land Cruiser: gas	
Bearing		201CC
1989-1972	4Runner	
Bearing		201CC
1989-1971	Pickup	
Bearing		201CC
1989-1972	Hi-Lux	
Bearing		201CC
1984	Van Wagon	
Bearing		201CC
1984-1978	Land Cruiser: diesel	
Bearing		201CC
1984-1972	Pickup	
Bearing		201CC
1974-1969	Land Cruiser	
Bearing		202S

Release Bearing

1989	4Runner: L4	
Bearing Assy		614088
1989	4Runner: V6	
Bearing Assy		614086
1989	Pickup: 4WD	
Bearing Assy		614086
1989	Pickup: 2WD	
Bearing Assy		614086
1989	Land Cruiser: gas engine	
Bearing Assy		614086
1989-1981	Hi-Lux	
Bearing Only		613010
1988-1984	Van Wagon	
Bearing Only		613010
1988-1981	4Runner	
Bearing Only		613010
1988-1981	Pickup: 4WD	
Bearing Only		613010
1988-1981	Pickup: 2WD	
Bearing Only		613010
1988-1975	Land Cruiser: gas engine	
Bearing Only		613008
1984-1978	Land Cruiser: diesel engine	
Bearing Only		1773
1980-1979	Pickup: 4WD	
Bearing Assy		614000
1980-1979	Pickup: 2WD	
Bearing Assy		614005
1980-1979	Hi-Lux: 4WD	
Bearing Assy		614000
1980-1979	Hi-Lux: exc. 4WD	
Bearing Assy		614005
1978-1972	Pickup: 2WD	
Bearing Assy		614000
1978-1972	Hi-Lux	
Bearing Assy		614000
1974-1969	Land Cruiser: gas engine	
Bearing Only		1773
1971-1970	Pickup: 2WD	
Bearing Only		01496

TOYOTA TRUCK - PICKUP, MINIVAN, SUV - Landcruiser, Pickup, Van Wagon, 4Runner (cont.)

CLUTCH (cont.)

Release Bearing (cont.)

1969	Pickup: 2WD	
Bearing Only		CB2059
1969	Hi-Lux	
Bearing Only		CB2059

3-SPEED MANUAL TRANSMISSION

Front Input Shaft

1974-1964	J30	
Seal		1989
Bearing		307L
Kwik Slv (Opt Rpr)		KWK99112

Rear Output Shaft

1974-1964	J30	
Seal		710319
Bearing		306TB

4-SPEED MANUAL TRANSMISSION

Input Shaft

1989-1981	G40, N40, W42, W46	
Seal		1981
Kwik Slv (Opt Rpr)		KWK99114
1988-1975	H41, H42	
Seal		1989
Kwik Slv (Opt Rpr)		KWK99112
1983-1981	L45, L48	
Seal		223240
Kwik Slv (Opt Rpr)		KWK99128
1980	L43	
Seal		710327
Bearing		207L
Kwik Slv (Opt Rpr)		KWK99128
1979-1971	L42, L43	
Seal		223240
Bearing		207L
Kwik Slv (Opt Rpr)		KWK99128
1977-1965	L40	
Seal		223240
Bearing		207SL
Kwik Slv (Opt Rpr)		KWK99128

Rear Output Shaft

1989-1984	G40, W46	
Seal		223840
1988-1980	H41, H42	
Seal		710323
1984-1983	W42	
Seal		223840
Bearing		RW122
1983-1965	L40, L42, L43, L45, L48	
Seal		710319
Bearing		306L
1982-1981	N40	
Seal		1177

5-SPEED MANUAL TRANSMISSION

Front Input Shaft

1989-1985	R150, R150F, R151F, R154	
Seal		223253
1989-1980	G50, G52, G53, G54, G57, G58, G59,W50, W52, W55, W56, W58	
Seal		1981
Kwik Slv (Opt Rpr)		KWK99114
1987-1983	H52	
Seal		1989
Kwik Slv (Opt Rpr)		KWK99112
1984-1980	L50, L52	
Seal		223240
Kwik Slv (Opt Rpr)		KWK99128
1979-1975	W50	
Seal		1981
Bearing		108A
Kwik Slv (Opt Rpr)		KWK99114

Countershaft

1989-1988	R154	
Cyl. Bearing (front)		MSNB5305GTBV
1979-1975	W50	
Bearing (front)		205L
Bearing (rear)		RW122

Rear Output Shaft

1989-1985	R150, R150F, R151F, R154	
Seal		3459S
1989-1983	G50, G52, G53, G54, G57, G58, G59,W50, W52, W55, W56, W58	
Seal		710319
1987-1983	H52	
Seal		710321
1985-1980	W50, W52	
Seal		710319
Bearing		RW122
1984-1980	L50, L52	
Seal		710319
1979-1975	W50	
Seal		710319
Bearing		108A

DRIVESHAFT SUPPORT

1989	Pickup 4x2; V6	
Hanger Bearing Assy		HB27
1989	Pickup 4x4	
Hanger Bearing Assy		HB24
1989	Pickup 4x2; 4-cyl	
Hanger Bearing Assy		HB9
1988-1984	Pickup 4x4	
Hanger Bearing Assy		HB17
1988-1984	Pickup 4x2	
Hanger Bearing Assy		HB10
1983-1978	Pickup	
Hanger Bearing Assy		HB9
Bearing		106CC
1975-1964		
Bearing		205FF

Bearings and Seals

Mfg./Year Model & Location Part No Mfg./Year Model & Location Part No

TOYOTA TRUCK - PICKUP, MINIVAN, SUV - Landcruiser, Pickup, Van Wagon, 4Runner (cont.)

POWER STEERING

Pump Shaft

1989-1980		
Seal	222450	
Bearing	203AB	

Sector Shaft

1989-1983	Pickup	
Seal		223400
1989-1981	Land Cruiser	
Seal		223210
1982-1980	Pickup	
Seal		222820

MANUAL STEERING

Pitman Shaft

1989-1986	Land Cruiser, Pickup, 4Runner	
Seal		710343
1985-1983	Pickup, 4Runner	
Seal		710343
1985-1969	Land Cruiser	
Seal		223605

Sector Shaft

1989-1984	4Runner	
Seal		223400
1989-1983	Pickup	
Seal		223400
1982-1969	Pickup	
Seal		222820

Worm Shaft

1988-1984	4Runner	
Seal		221820
1988-1969	Pickup	
Seal		221820
1975-1969	Land Cruiser	
Bearing Assy (lower)		30206M
Bearing Assy (upper)		30205M
1968-1965	Stout	
Bearing Assy (lower)		30206M
Bearing Assy (upper)		30205M

CAMSHAFT SEAL

4 Cylinder

1987-1981	2188cc/2.2L (Diesel), 2446cc/2.4L (Diesel)	
Seal Viton		2025
Kwik Slv (Opt Rpr)		KWK99169
1985-1984	1998cc/2.0L	
Seal		1987S
Kwik Slv (Opt Rpr)		KWK99139

CAMSHAFT SEAL

6 Cylinder

1989-1988	2958cc/3.0L	
Seal		224205

CRANKSHAFT REAR SEAL

4 Cylinder

1989-1986	1998cc/2.0L, 2188cc/2.2L, 2446cc/2.4L	
Seal		716102
1989-1987	1858cc/1.9L, 1968cc/2.0L, 2189cc/2.2L, 2237cc/2.2L, 2366cc/2.4L	
Seal		228010
Kwik Slv (Opt Rpr)		KWK99315
1979-1970	1858cc/1.9L, 1968cc/2.0L, 2189cc/2.2L	
Seal		228010
Kwik Slv (Opt Rpr)		KWK99315

6 Cylinder

1989-1988	2958cc/3.0L, 2995cc/3.0L, 3378cc/3.4L	
Seal Viton		229210
Kwik Slv (Opt Rpr)		KWK99360
1989-1988	3955cc/4.0L	
Seal		231052
Kwik Slv (Opt Rpr)		KWK99413
1987-1964	3878cc/3.9L, 4230cc/4.2L	
Seal		231004
Kwik Slv (Opt Rpr)		KWK99393

TIMING COVER

4 Cylinder

1989-1980	2189cc/2.2L, 2366cc/2.4L	
Seal		710345
Kwik Slv (Opt Rpr)		KWK99177
1989-1981	1998cc/2.0L, 2188cc/2.2L, 2446cc/2.4L	
Seal Viton		2025
Kwik Slv (Opt Rpr)		KWK99169
1985-1978	3168cc/3.2, 3431cc/3.4L (diesels)	
Seal		225040
Kwik Slv (Opt Rpr)		KWK99196
1979-1970	1858cc/1.9L, 1968cc/2.0L, 2189cc/2.2L	
Seal		320564
Kwik Slv (Opt Rpr)		KWK99177
1970-1965	1897cc/1.9L	
Seal		223840
Kwik Slv (Opt Rpr)		KWK99147

6 Cylinder

1989-1988	2958cc/3.0L, 3378cc/3.4L	
Seal		224020
Kwik Slv (Opt Rpr)		KWK99157
1989-1980	3955cc/4.0L, 4230cc/4.2L	
Seal		710345
Kwik Slv (Opt Rpr)		KWK99177

TOYOTA TRUCK - PICKUP, MINIVAN, SUV - Landcruiser, Pickup, Van Wagon, 4Runner (cont.)

TIMING COVER (cont.)

6 Cylinder (cont.)

1979-1964	3878cc/3.9L, 4230cc/4.2L	
Seal	320564
Kwik Slv (Opt Rpr)	KWK99177

TRIUMPH

FRONT WHEEL

1982-1975	TR7, TR8	
Seal (inner)	480991[2]
Set (inner)	SET4
Set (outer)	SET1
1980-1962	Spitfire	
Seal (inner)	1110[2]
Cone/Cup (inner)	07100S-07210X[2]
Cone/Cup (outer)	03062-03162[2]
1976-1953	TR2, TR3/3A, TR4/4A, TR5, TR6	
Seal (inner)	1110[2]
Cone/Cup (inner)	07100S-07210X[2]
Cone/Cup (outer)	03062-03162[2]
1975-1972	Dolomite, Sprint	
Set (inner)	SET4
Set (outer)	SET2
1974-1966	1300, 1500	
Set (inner)	SET6
Cone/Cup (outer)	LM29749-LM29710[2]
1973-1970	Stag	
Set (inner)	SET4
Set (outer)	SET2
1973-1970	Toledo	
Set (inner)	SET4
Set (outer)	SET2
1973-1968	GT6	
Seal (inner)	1110[2]
Set (inner)	SET4
Set (outer)	SET1
1972-1962	Vitesse, 2.5	
Set (inner)	SET4
Set (outer)	SET2
1971-1965	1200	
Seal (inner)	1110[2]
Cone/Cup (inner)	07100S-07210X[2]
Cone/Cup (outer)	03062-03162[2]
1971-1960	Herald	
Seal (inner)	1110[2]
Cone/Cup (inner)	07100S-07210X[2]
Cone/Cup (outer)	03062-03162[2]
1968	TR250	
Set (inner)	SET4
Set (outer)	SET2
1967-1966	2000	
Set (inner)	SET4
Set (outer)	SET2

REAR WHEEL

1981-1977	TR8	
Seal (inner)	223535[2]
Bearing (inner)	RW126[2]
Seal (outer)	224100[2]
1981-1975	TR7 exc. 5-speed	
Bearing	RW119[2]
1981-1975	TR7: 5-speed	
Seal (inner)	223535[2]
Bearing Assy (inner)	U298-90011[2]
Bearing (inner) Opt.	RW126[2]
Seal (outer)	224100[2]
1980-1962	Spitfire	
Seal (inner)	471224[2]
Needle Bearing (inner)	B168[2]
Bearing (outer)	LS10[2]
1976-1969	TR6	
Seal (inner)	223510[2]
Set (inner)	SET4
Cone/Cup (outer)	LM29749-LM29710[2]
1975-1968	2.5	
Seal (inner)	223510[2]
Set (inner)	SET4
Cone/Cup (outer)	LM29749-LM29710[2]
1974-1970	1500	
Set (inner)	SET4
Set (outer)	SET2
1973-1970	Stag	
Seal (inner)	223510[2]
Set (inner)	SET4
Cone/Cup (outer)	LM29749-LM29710[2]
1973-1968	GT6: from chassis #50001 on	
Set (inner)	SET5
Cone/Cup (outer)	LM29749-LM29710[2]
1972-1962	Vitesse	
Seal (inner)	223510[2]
Set (inner)	SET4
Cone/Cup (outer)	LM29749-LM29710[2]
1971-1960	Herald	
Seal (inner)	471224[2]
Needle Bearing (inner)	B168[2]
Bearing (outer)	LS10[2]
1970-1966	1300	
Cone/Cup (inner)	07100S-07210X[2]
Cone/Cup (outer)	03062-03162[2]
1969-1968	TR5	
Seal (inner)	223510[2]
Set (inner)	SET4
Cone/Cup (outer)	LM29749-LM29710[2]

Bearings and Seals

Mfg./Year Model & Location Part No Mfg./Year Model & Location Part No

TRIUMPH (cont.)

REAR WHEEL (cont.)

1968	GT6: thru chassis #50000	
Seal (inner)	471224[2]
Needle Bearing (inner)	B168[2]
Bearing (outer)	LS10[2]
1968	TR250	
Seal (inner)	223510[2]
Set (inner)	SET4
Cone/Cup (outer)	LM29749-LM29710[2]
1967	TR4A	
Seal (inner)	223510[2]
Set (inner)	SET4
Cone/Cup (outer)	LM29749-LM29710[2]
1967-1966	2000	
Seal (inner)	223510[2]
Set (inner)	SET4
Cone/Cup (outer)	LM29749-LM29710[2]
1966-1963	TR4	
Cone/Cup	2585-2523[2]
1963-1955	TR3	
Cone/Cup	2585-2523[2]
1955	TR2: from chassis #13047 on	
Cone/Cup	2585-2523[2]
1955-1953	TR2: thru chassis #13046	
Bearing	206S[2]

REAR AXLE

Differential

1981-1978	TR7: removable carrier	
Set	SET13
1981-1978	TR8: removable carrier	
Set	SET13
1981-1975	TR7: integral carrier	
Set	SET16
1981-1975	TR8: integral carrier	
Set	SET16
1980-1976	Spitfire	
Set	SET6
1977	TR8: removable carrier	
Set	SET6
1977-1975	TR7: removable carrier	
Set	SET6
1976-1969	TR6	
Cone/Cup	16150-16283[2]
1975	Spitfire: integral carrier	
Cone/Cup	15123-15245[2]
1975	Spitfire: removable carrier	
Set	SET6
1974-1962	Spitfire	
Cone/Cup	15123-15245[2]
1973-1970	Stag	
Cone/Cup	16150-16283[2]
1973-1968	GT6	
Cone/Cup	15123-15245[2]
1971-1965	1200	
Cone/Cup	15123-15245[2]
1971-1960	Herald	
Cone/Cup	15123-15245[2]
1968	TR250	
Cone/Cup	16150-16283[2]
1967-1966	2000	
Cone/Cup	16150-16283[2]

REAR AXLE (cont.)

Differential (cont.)

1967-1963	TR4, TR4A	
Cone/Cup	16150-16283[2]
1963-1955	TR3, TR3A	
Cone/Cup	16150-16283[2]
1955-1953	TR2	
Cone/Cup	16150-16283[2]

Pinion

1981-1977	TR8: removable carrier	
Cone/Cup (inner)	M88040-M88010
Cone/Cup (outer)	M84548-M84510
1981-1977	TR8: integral carrier	
Cone/Cup (inner)	M88040-M88010
Seal (outer)	223020
Cone/Cup (outer)	M88046-M88010
1981-1975	TR7: removable carrier	
Cone/Cup (inner)	M88040-M88010
Cone/Cup (outer)	M84548-M84510
1981-1975	TR7: integral carrier	
Cone/Cup (inner)	HM88649-HM88610
Seal (outer)	223020
Cone/Cup (outer)	M88046-M88010
1980-1976	Spitfire	
Cone/Cup (inner)	M88040-M88010
Cone/Cup (outer)	M84548-M84510
1976-1973	Dolomite Sprint	
Cone/Cup (inner)	3188-3120
Seal (outer)	470487N
Cone/Cup (outer)	15100-15245
1976-1972	Dolomite	
Cone/Cup (inner)	M88040-M88010
Cone/Cup (outer)	M84548-M84510
1976-1969	TR6	
Cone/Cup (inner)	3188-3120
Seal (outer)	470487N
Cone/Cup (outer)	15100-15245
1975	Spitfire: integral carrier	
Cone/Cup (inner)	02473-02420
Seal (outer)	8133S
Cone/Cup (outer)	21075-21212
1975	Spitfire: removable carrier	
Cone/Cup (inner)	M88040-M88010
Cone/Cup (outer)	M84548-M84510
1974-1967	Spitfire	
Cone/Cup (inner)	02473-02420
Seal (outer)	8133S
Cone/Cup (outer)	21075-21212
1973-1970	Stag	
Cone/Cup (inner)	3188-3120
Seal (outer)	470487N
Cone/Cup (outer)	15100-15245
1973-1968	GT6	
Cone/Cup (inner)	M88040-M88010
Cone/Cup (outer)	M84548-M84510
1971-1966	Vitesse: 2.0	
Cone/Cup (inner)	M88040-M88010
Cone/Cup (outer)	M84548-M84510

TRIUMPH (cont.)

REAR AXLE (cont.)

Pinion (cont.)

1971-1960	Herald	
	Cone/Cup (inner)	02475-02420
	Cone/Cup (outer)	21075-21212
1969-1965	2000	
	Cone/Cup (inner)	3188-3120
	Seal (outer)	470487N
	Cone/Cup (outer)	15100-15245
1968	TR250	
	Cone/Cup (inner)	3188-3120
	Seal (outer)	470487N
	Cone/Cup (outer)	15100-15245
1967-1964	TR4, TR4A	
	Cone/Cup (inner)	3188-3120
	Seal (outer)	470487N
	Cone/Cup (outer)	15100-15245
1966-1963	Vitesse: 1.6	
	Cone/Cup (inner)	02475-02420
	Cone/Cup (outer)	21075-21212
1966-1962	Spitfire	
	Cone/Cup (inner)	02475-02420
	Cone/Cup (outer)	21075-21212
1963-1955	TR3, TR3A	
	Cone/Cup (inner)	3188-3120
	Seal (outer)	470487N
	Cone/Cup (outer)	15100-15245
1955-1953	TR2	
	Cone/Cup (inner)	3188-3120
	Seal (outer)	470487N
	Cone/Cup (outer)	15100-15245

CLUTCH

Release Bearing

1981-1977	TR8	
	Bearing Only	TR1716 ³⁰
1981-1975	TR7	
	Bearing Only	TR1716 ³⁰
1980-1973	Dolomite Sprint	
	Bearing Only	TR1716 ³⁰
1980-1965	Spitfire	
	Bearing Only	TR1716 ³⁰
1976-1969	TR6	
	Bearing Only	TR1714 ³⁰
1974-1968	Princess 1300	
	Bearing Assy	614104 ³⁰
1973-1970	Stag	
	Bearing Only	TR1714 ³⁰
1973-1968	GT6	
	Bearing Only	TR1716 ³⁰
1972-1966	Vitesse	
	Bearing Only	TR1716 ³⁰
1972-1962	Vitesse	
	Bearing Only	1505 ³⁰
1971-1960	Herald	
	Bearing Only	1505 ³⁰
1969-1968	2.5	
	Bearing Only	TR1716 ³⁰
1969-1967	TR5	
	Bearing Only	TR1714 ³⁰
1969-1963	Wolseley Hornet Mk. I, II	
	Bearing Assy	614104 ³⁰

CLUTCH (cont.)

Release Bearing (cont.)

1968	TR250	
	Bearing Only	TR1714 ³⁰
1967	TR4A	
	Bearing Only	TR1714 ³⁰
1967-1966	2000 Mk. I	
	Bearing Only	TR1716 ³⁰
1966-1963	TR4	
	Bearing Only	2065 ³⁰
1965-1962	Spitfire	
	Bearing Only	1505 ³⁰
1963-1955	TR3, TR3A	
	Bearing Only	2065 ³⁰
1961-1958	TR10: 948cc	
	Bearing Only	1505 ³⁰
1955-1953	TR2	
	Bearing Only	2065 ³⁰

5-SPEED MANUAL TRANSMISSION

Countershaft

1981-1975	Rover CL (TR7, TR8) - front and rear	
	Set	SET4

Rear Output Shaft

1981-1975	Rover CL (TR7, TR8) - center	
	Set	SET6
1981-1975	Rover CL (TR7, TR8) - (front input)	
	Set	SET6
1981-1975	Rover CL (TR7, TR8) - (rear output)	
	Set (front)	SET1
	Set (rear)	SET6
1981-1975	spigot	
	Set	SET1

Extension Housing

1981-1975	Bearing	205BB
------------------	---------	-------

CRANKSHAFT REAR SEAL

4 Cylinder

1979-1973	1493cc/1.5L	
	Seal	6985
	Kwik Slv (Opt Rpr)	KWK99287

6 Cylinder

1976-1968	2498cc/2.5L	
	Seal	6985
	Kwik Slv (Opt Rpr)	KWK99287

8 Cylinder

1981-1980	3528cc/3.5L	
	Seal	5591

[] Indicates Quantity Required; Set Components Listed Inside Rear Cover;

³⁰ Ball bearing style release bearing replaces original style carbon bearing

Bearings and Seals

Mfg./Year Model & Location Part No Mfg./Year Model & Location Part No

TRIUMPH (cont.)

TIMING COVER

4 Cylinder

1981-1975 1998cc/2.0L
 Seal 50266
 Kwik Slv (Opt Rpr)KWK99179
1980-1973 1493cc/1.5L
 Seal 472397
 Kwik Slv (Opt Rpr)KWK99199
1972-1968 1296cc/1.3L
 Seal8516N
 Kwik Slv (Opt Rpr)KWK99162
1968-1955 1991cc/2.0L, 2138cc/2.1L
 Seal 450494
 Kwik Slv (Opt Rpr)KWK99174

TIMING COVER

6 Cylinder

1976-1967 1998/2.0L, 2498cc/2.5
 Seal 472397
 Kwik Slv (Opt Rpr)KWK99199

TVR

FRONT WHEEL

1988-1984 280i
 Set (inner)SET8
 Set (outer)SET1
1988-1982 Tasmin
 Set (inner)SET8
 Set (outer)SET1
1985-1976 Taimar
 Cone/Cup (inner) 07100S-07210X[2]
 Cone/Cup (outer) 03062-03162[2]
1979-1976 2500
 Seal (inner) 340823[2]
 Cone/Cup (inner) 07100S-07210X[2]
 Cone/Cup (outer) 03062-03162[2]
1979-1976 3000S
 Seal (inner) 340823[2]
 Cone/Cup (inner) 07100S-07210X[2]
 Cone/Cup (outer) 03062-03162[2]

REAR WHEEL

1988-1982
 Seal (inner) 239128[2]
 Cone/Cup (inner) 18590-18520[2]
 Seal (outer) 239129[2]
 Cone/Cup (outer) 18690-18620[2]
1981-1980
 Seal (inner) 223510[2]
 Set (inner)SET4
 Cone/Cup (outer) LM29749-LM29710[2]

REAR AXLE

Differential

1988-1984 280i
 Cone/Cup 25577-25523[2]
1988-1982 Tasmin
 Cone/Cup 25577-25523[2]
1985-1976 Taimar
 Cone/Cup 16150-16283[2]
1985-1976 3000S
 Cone/Cup 16150-16283[2]

REAR AXLE (cont.)

Differential (cont.)

1979-1976 2500
 Cone/Cup 16150-16283[2]

Pinion

1988-1984 280i
 Cone/Cup (inner) HM89446-HM89410
 Cone/Cup (outer) M88043-M88010
1988-1982 Tasmin
 Cone/Cup (inner) HM89446-HM89410
 Cone/Cup (outer) M88043-M88010
1985-1976 Taimar
 Cone/Cup (inner) 3188S-3120
 Cone/Cup (outer) 15100SR-15245
1985-1976 3000S
 Cone/Cup (inner) 3188S-3120
 Seal (outer) 470487N
 Cone/Cup (outer) 15100SR-15245
 Cone/Cup (outer) Opt:
 substitute for 15100SR 15100-15245
1979-1976 2500
 Cone/Cup (inner) 3188S-3120
 Seal (outer) 470487N
 Cone/Cup (outer) 15100SR-15245
 Cone/Cup (outer) Opt:
 substitute for 15100SR 15100-15245

Mfg./Year Model & Location Part No Mfg./Year Model & Location Part No

UD TRUCK - LIGHT - 1100 Series

FRONT WHEEL

1989
 Bearing Assy (inner) 32208M[2]
 Bearing Assy (outer) 32305[2]

REAR WHEEL

1989
 Bearing Assy (inner) 33013[2]
 Bearing Assy (outer) 32011XM[2]

CLUTCH

Pilot Bearing

1989 6-cylinder 3.5 turbodiesel
 Bushing PB22

Release Bearing

1989 6-cylinder 3.5 turbodiesel
 Bearing Only 613015

UD TRUCK - MEDIUM - C, 550, 600, 1800, 2000 - 3300 Series, Xpress

FRONT WHEEL

1989 2600, 2800
 Seal (inner) 710405[2]
 Bearing Assy (outer) 30312[2]
1989-1986 CLA83, CMA83, 2300
 Bearing Assy 32211M[2]

REAR WHEEL

1989 2600, 2800
 Seal (inner) 710406[2]
 Bearing Assy (inner) 32215[2]
 Seal (outer) 710407[2]
 Bearing Assy (outer) 32217M[2]
1989-1986 CLA83, CMA83, 1800, 2000, 2300
 Bearing Assy (inner) 32215[2]
 Bearing Assy (outer) 32213M[2]
1989-1986 3300, 600
 Bearing Assy (inner) 32215[2]
 Bearing Assy (outer) 32217M[2]
1989-1985 CPB12, CPC12, 3000, 550
 Bearing Assy (outer) 32217M[2]

REAR AXLE

Pinion

1989-1987 LFE700
 Bearing Assy (inner) 30311
1989-1987 LFE400
 Bearing Assy (inner) 30311
 Bearing Assy (outer) 30309M

CLUTCH

Release Bearing

1988-1986 6-cylinder 6.9 diesel
 Bearing Assy 613011

VAUXHALL

FRONT WHEEL

1980-1963 Viva Series
 Set (inner) SET4
 Set (outer) SET1
1975-1972 Victor with 13" wheels
 Set (inner) SET4
 Set (outer) SET1
1975-1972 Victor with 14" wheels
 Set (inner) SET6
 Set (outer) SET1
1975-1971 Firenza Series
 Set (inner) SET4
 Set (outer) SET1
1972-1966 Viscount
 Bearing Assy (inner) 30206M[2]
 Bearing Assy (outer) 30204M[2]

FRONT WHEEL (cont.)

1972-1965 Cresta
 Bearing Assy (inner) 30206M[2]
 Bearing Assy (outer) 30204M[2]
1971-1969 VX 4/90
 Set (inner) SET4
 Set (outer) SET1
1971-1968 Ventora 6-cylinder
 Set (inner) SET4
 Set (outer) SET1
1971-1968 Victor 4-cylinder
 Set (inner) SET4
 Set (outer) SET1
1971-1968 Victor 6-cylinder
 Set (inner) SET4
 Set (outer) SET1

Bearings and Seals

Mfg./Year	Model & Location	Part No	Mfg./Year	Model & Location	Part No
-----------	------------------	---------	-----------	------------------	---------

VAUXHALL (cont.)

FRONT WHEEL (cont.)

1970-1963	Epic	
	Set (inner)	SET4
	Set (outer)	SET1
1967-1962	Victor	
	Set (inner)	SET4
	Set (outer)	SET1
1966-1964	Beagle	
	Set (inner)	SET4
	Set (outer)	SET1
1966-1958	Wyvern	
	Bearing Assy (inner)	30206M[2]
	Bearing Assy (outer)	30204M[2]
1965-1963	Cresta	
	Bearing Assy (inner)	30206M[2]
	Bearing Assy (outer)	30204M[2]
1965-1963	Velox	
	Bearing Assy (inner)	30206M[2]
	Bearing Assy (outer)	30204M[2]
1962	Victor VX 4/90	
	Bearing Assy (inner)	30206M[2]
	Bearing Assy (outer)	30204M[2]
1962-1958	Cresta with drum brakes	
	Bearing Assy (inner)	30206M[2]
	Bearing Assy (outer)	30204M[2]
1962-1958	Velox with drum brakes	
	Bearing Assy (inner)	30206M[2]
	Bearing Assy (outer)	30204M[2]
1961-1960	Envoy	
	Bearing Assy (inner)	30206M[2]
	Bearing Assy (outer)	30203[2]
1961-1960	Sherwood	
	Bearing Assy (inner)	30206M[2]
	Bearing Assy (outer)	30203[2]
1961-1957	Victor	
	Bearing Assy (inner)	30206M[2]
	Bearing Assy (outer)	30203[2]

REAR WHEEL

1970-1963	Epic	
	Bearing Assy	30206M[2]
1970-1963	Viva	
	Bearing Assy	30206M[2]
1963-1956	Sedan	
	Bearing	88506[2]
1963-1956	Wagon	
	Bearing	88606[2]

REAR AXLE

Pinion

1979-1970	Viva	
	Bearing Assy (inner)	32206M
1974-1968	Victor exc. 3300	
	Bearing Assy (inner)	32206M
1974-1968	Victor 3300	
	Bearing Assy (inner)	30207M
	Cone/Cup (outer)	3490-3420
1973-1965	Firenza	
	Bearing Assy (inner)	32206M
1972-1965	Cresta	
	Bearing Assy (inner)	30207M
	Cone/Cup (outer)	3490-3420
1970-1963	Epic	
	Bearing Assy (inner)	32206M

VOLKSWAGEN - VW TYPE I : Beetle, Karmann Ghia, Thing

FRONT WHEEL

1979-1969	drum brakes	
	Seal (inner)	1217[2]
	Set (inner)	SET8
	Set (outer)	SET1
1979-1969	disc brakes	
	Seal (inner)	1195[2]
	Set (inner)	SET8
	Set (outer)	SET1
1968-1965	production from 8/1965 on	
	Seal (inner)	1165[2]
	Set (inner)	SET4
	Bearing Assy (outer)	30304[2]
1965-1949	1200: production thru 8/1965	
	Seal (inner)	224045[2]
	Bearing Assy (inner)	30305M[2]
	Bearing Assy (outer)	30304[2]

REAR WHEEL

1979-1969		
	Seal (inner)	1012N[2]
	Bearing (inner)	206WB[2]
	Cyl. Bearing (outer)	MA1206EF[2]
1968-1955		
	Seal	1012N[2]
	Bearing	306TB[2]
1967-1949		
	Seal	224462[2]
	Bearing	306TB[2]

CLUTCH

Release Bearing

1979-1971	manual trans	
	Bearing Only	VW1339C
1970-1952	manual trans	
	Bearing Only	VW1006C

VOLKSWAGEN - VW TYPE I : Beetle, Karmann Ghia, Thing (cont.)

AUTOMATIC TRANSAXLE

Differential

1979-1968 Auto-Stick
Cone/Cup LM300849-LM300811[2]

Pinion

1979-1968 Auto-Stick
Bearing (front) 5305KE

3-SPEED AUTOMATIC TRANSAXLE

Torque Converter

1979-1969
Seal 3051N
Kwik Slv (Opt Rpr) KWK99169

Output Shaft

1975-1969
Seal 224520[2]
Kwik Slv (Opt Rpr) KWK99177[2]

Differential

1975-1969
Cone/Cup LM300849-LM300811[2]

Pinion

1975-1969
Cone/Cup M86649-M86610[2]
Seal (rear) 239146
Seal (front) 223010
Kwik Slv (Opt Rpr) KWK99114

4-SPEED MANUAL TRANSAXLE

Differential

1979-1949 002, 004
Cone/Cup LM300849-LM300811[2]

4-SPEED MANUAL TRANSAXLE

Input Shaft

1979-1949 002, 004
Seal 222050
Kwik Slv (Opt Rpr) KWK99085

CRANKSHAFT REAR SEAL

4 Cylinder

1979-1962 1192cc/1.2L, 1285cc/1.3L,
1493cc/1.5L, 1584cc/1.6L
Seal 227040
Kwik Slv (Opt Rpr) KWK99272
1975-1971 1679cc/1.7L, 1795cc/1.8L
Seal 227530
Kwik Slv (Opt Rpr) KWK99294
1960-1954 1192cc/1.2L
Seal 226020
Kwik Slv (Opt Rpr) KWK99235

TIMING COVER

4 Cylinder

1975-1971 1679cc/1.7L, 1795cc/1.8L
Seal 224252
Kwik Slv (Opt Rpr) KWK99166

VOLKSWAGEN - Cabrio, Cabriolet, Corrado, Dasher, Fox, Golf, GTI, Jetta, New Beetle, Passat, Rabbit, Scirocco, Quantum, Quantum Synchro

FRONT WHEEL

1989-1987 Golf, GTI production from 8/1987
chassis #J010565 on
Bearing 510004[2]
1989-1987 Jetta production from 8/1987
chassis #J010565 on
Bearing 510004[2]
1989-1987 Fox
Set SET39
1989-1985 Cabriolet
Set SET35
1989-1985 Scirocco
Set SET35
1988-1982 Quantum, Quantum Synchro
Set SET39

FRONT WHEEL (cont.)

1987-1985 Golf, GTI production thru 7/1987
chassis #J010564
Bearing 513021[2]
1987-1985 Jetta production thru 7/1987
chassis #J010564
Bearing 513021[2]
1984-1980 Jetta
Set SET35
1984-1975 Rabbit and convertible
Set SET35
1984-1975 Scirocco
Set SET35
1980-1974 Dasher
Set SET39

Bearings and Seals

Mfg./Year Model & Location Part No Mfg./Year Model & Location Part No

VOLKSWAGEN - Cabrio, Cabriolet, Corrado, Dasher, Fox, Golf, GTI, Jetta, New Beetle, Passat, Rabbit, Scirocco, Quantum, Quantum Synchro (cont.)

REAR WHEEL

1989-1974	exc. Fox and Synchro models	
Seal (inner)	1962[2]
Set (inner)	SET8
Set (outer)	SET1
1989-1987	Fox	
Seal (inner)	1174S[2]
Set (inner)	SET8
Set (outer)	SET1
1989-1985	Golf Synchro, Quantum Synchro	
Set	SET39

REAR AXLE

Differential

1988-1985	Quantum Synchro w/Synchro 4WD	
Set (LH)	SET37
Seal (RH)	224520
Set (RH)	SET45
Kwik Slv (Opt Rpr)	KWK99177

Pinion

1988-1985	Quantum Synchro w/Synchro 4WD	
Cone/Cup (inner)	HM801346X-HM801310
Cone/Cup (outer)	M88048-M88010
Bearing (pilot)	206WB

CLUTCH - 4 CYLINDER

Pilot Bearing

1989-1974		
Needle Bearing	F85265

CLUTCH

Release Bearing

1989-1987	4-cylinder 1.8: 210mm clutch: VW014 trans	
Bearing Assy	614015
1989	4-cylinder 1.6 diesel: 210mm clutch	
Bearing Assy	614041
1989	4-cylinder 1.8: 210mm clutch: exc. VW014 trans	
Bearing Assy	614041
1989	4-cylinder 2.0 DOHC: 210mm clutch	
Bearing Assy	614041
1989-1987	Fox: 4-speed	
Bearing Only	VW1339C
1989-1987	4-cylinder 1.8 DOHC: 210mm clutch	
Bearing Assy	614041
1989-1980	4-cylinder 2.0: 228mm clutch	
Bearing Assy	614015
1988-1985	5-cylinder 2.2: 228mm clutch	
Bearing Assy	614015
1988-1983	Quantum	
Bearing Assy	614015

CLUTCH (cont.)

Release Bearing (cont.)

1988-1983	4-cylinder 1.8: 210mm clutch: 5-speed	
Bearing Assy	614041
1987-1980	4-cylinder 1.6 diesel: 190mm clutch	
Bearing Assy	614041
1986-1985	4-cylinder 1.6 turbodiesel: 210mm clutch	
Bearing Assy	614041
1985-1984	4-cylinder 1.8: 220mm clutch	
Bearing Assy	614015
1985-1982	4-cylinder 1.6 turbodiesel: 200mm clutch: VW014 trans	
Bearing Assy	614015
1984-1983	4-cylinder 1.6 turbodiesel: 200mm clutch: 4-speed	
Cyl. Bearing	6408
1984-1983	4-cylinder 1.6 turbodiesel: 210mm clutch: 5-speed	
Bearing Assy	614041
1984-1983	5-cylinder 2.1: 215mm clutch	
Bearing Assy	614015
1984-1982	4-cylinder 1.6 diesel: 215mm clutch	
Bearing Assy	614015
1984-1981	4-cylinder 1.6 diesel: 200mm clutch: 4-speed	
Cyl. Bearing	6408
1984-1981	4-cylinder 1.6 diesel: 210mm clutch: 5-speed	
Bearing Assy	614041
1984-1981	4-cylinder 1.7: 200mm clutch: 4-speed	
Cyl. Bearing	6408
1984-1981	4-cylinder 1.7: 200mm clutch: 5-speed	
Bearing Assy	614041
1984-1981	4-cylinder 1.7: 210mm clutch: 5-speed	
Bearing Assy	614041
1983-1982	4-cylinder 1.7: 200mm clutch: VW014 trans	
Bearing Assy	614015
1983-1980	4-cylinder 1.5 diesel: 190mm clutch: 4-speed	
Cyl. Bearing	6408
1983-1980	4-cylinder 1.6: 190mm clutch: 4-speed	
Cyl. Bearing	6408
1983-1980	4-cylinder 1.7: 190mm clutch: 4-speed	
Cyl. Bearing	6408
1983-1980	4-cylinder 1.7: 190mm clutch: 5-speed	
Bearing Assy	614041
1983-1979	4-cylinder 1.6: 190mm clutch: 5-speed	
Bearing Assy	614041
1982-1981	Quantum: 4-speed	
Bearing Only	VW1339C

VOLKSWAGEN - Cabrio, Cabriolet, Corrado, Dasher, Fox, Golf, GTI, Jetta, New Beetle, Passat, Rabbit, Scirocco, Quantum, Quantum Synchro (cont.)

CLUTCH (cont.)

Release Bearing (cont.)

1982-1974	Dasher: 4-speed	
	Bearing Only	VW1339C
1981-1980	4-cylinder 1.6 diesel: 200mm clutch: VW014 trans	
	Bearing Assy	614015
1981-1979	4-cylinder 1.5 diesel: 200mm clutch: VW014 trans	
	Bearing Assy	614015
1981-1976	4-cylinder 1.6: 200mm clutch: VW014 trans	
	Bearing Assy	614015

AUTOMATIC TRANSAXLE

Input Shaft

1989-1976	exc. 1.3 litre	
	Set	SET6

Idler Shaft

1989-1976	exc. 1.3 litre	
	Set	SET6

Differential

1989-1985	Golf	
	Cone/Cup	LM29749-LM29710[2]
1989-1985	Jetta	
	Cone/Cup	LM29749-LM29710[2]
1989-1976	Scirocco: exc. 1.1 litre	
	Cone/Cup	LM29749-LM29710[2]
1989-1987	Fox	
	Cone/Cup	LM29749-LM29710[2]
1988-1982	Quantum: automatic trans	
	Cone/Cup	LM29749-LM29710[2]
1984-1977	Rabbit	
	Cone/Cup	LM29749-LM29710[2]
1983-1976	Dasher	
	Cone/Cup	LM29749-LM29710[2]
1977-1976	Scirocco: 1.1 litre	
	Cone/Cup	LM78349-LM78310A[2]

Pinion

1989-1982	Quantum: 4-cylinder	
	Cone/Cup	M86649-M86610[2]
1989-1982	Quantum: 5-cylinder	
	Cone/Cup	M88048-M88010[2]
1988-1985	exc. Quantum	
	Set	SET6[2]
1984-1975	exc. Dasher, Quantum	
	Set	SET6[2]
1981-1974	Dasher	
	Cone/Cup	M86649-M86610[2]

3-SPEED AUTOMATIC TRANSAXLE

Torque Converter

1989-1980		
	Seal	3083
	Kwik Slv (Opt Rpr)	KWK99169

4-SPEED MANUAL TRANSAXLE

Differential

1989-1975	020	
	Cone/Cup	LM29749-LM29710[2]
1989-1974	014	
	Cone/Cup	LM300849-LM300811[2]

Input Shaft

1989-1975	020	
	Seal	222240
	Kwik Slv (Opt Rpr)	KWK99085
1989-1974	014	
	Seal	222030
	Kwik Slv (Opt Rpr)	KWK99078

Mainshaft

1989-1975	020	
	Set (RH)	SET8

Output Shaft

1989-1985	020	
	Seal Viton	1965[2]
	Kwik Slv (Opt Rpr)	KWK99146[2]
1989-1974	014	
	Seal	224052[2]
	Kwik Slv (Opt Rpr)	KWK99157[2]
1984-1975	020	
	Seal	474288[2]
	Kwik Slv (Opt Rpr)	KWK99146[2]

Selector Shaft Seal/Man. Shaft

1989-1975	020	
	Seal	221820

5-SPEED MANUAL TRANSAXLE

Differential

1988-1983	093	
	Set (LH)	SET45
	Cone/Cup (RH)	LM300849-LM300811
1985-1982	013	
	Cone/Cup	LM300849-LM300811[2]

Input Shaft

1989-1983	01A; 012; 093	
	Seal	222540
	Kwik Slv (Opt Rpr)	KWK99098
1985-1982	013	
	Seal	222030
	Kwik Slv (Opt Rpr)	KWK99078

Bearings and Seals

Mfg./Year Model & Location Part No Mfg./Year Model & Location Part No

VOLKSWAGEN - Cabrio, Cabriolet, Corrado, Dasher, Fox, Golf, GTI, Jetta, New Beetle, Passat, Rabbit, Scirocco, Quantum, Quantum Synchro (cont.)

5-SPEED MANUAL TRANSAXLE

Output Shaft

1989-1983 01A; 012; 093
 Seal 224520[2]
 Kwik Slv (Opt Rpr)KWK99177[2]
1985-1982 013
 Seal 224052[2]
 Kwik Slv (Opt Rpr)KWK99157[2]

CAMSHAFT SEAL

4 Cylinder

1989-1980 exc. 1781cc/1.8 (DOHC)
 Seal 3476S[2]
 Kwik Slv (Opt Rpr)KWK99128[2]
1989-1986 1781cc/1.8L (DOHC)
 Seal 3476S[2]
 Kwik Slv (Opt Rpr)KWK99128[2]
1979-1974 1457cc/1.5L, 1471cc/1.5L (gas & diesel), 1588cc/1.6L
 Seal 3476S
 Kwik Slv (Opt Rpr)KWK99128

5 Cylinder

1988-1983 2144cc/2.1L, 2226cc/2.2L
 Seal 3476S
 Kwik Slv (Opt Rpr)KWK99128

CRANKSHAFT REAR SEAL

4 Cylinder

1989-1980
 Seal 716102
 Kwik Slv (Opt Rpr)KWK99333

CRANKSHAFT REAR SEAL (cont.)

4 Cylinder (cont.)

1979-1974 1457cc/1.5L, 1471cc/1.5L (gas & diesel), 1588cc/1.6L
 Seal 716102
 Kwik Slv (Opt Rpr)KWK99333

5 Cylinder

1988-1983 2144cc/2.1L, 2226cc/2.2L
 Seal 716102
 Kwik Slv (Opt Rpr)KWK99333

TIMING COVER

4 Cylinder

1989-1980
 Seal 3476S
 Kwik Slv (Opt Rpr)KWK99128
1979-1974 1457cc/1.5L, 1471cc/1.5L (gas & diesel), 1588cc/1.6L
 Seal 3476S
 Kwik Slv (Opt Rpr)KWK99128

5 Cylinder

1988-1983 2144cc/2.1L, 2226cc/2.2L
 Seal Viton 1108
 Kwik Slv (Opt Rpr)KWK99139

VOLKSWAGEN - VW TYPE II : Bus, EuroVan, Transporter, Van, Vanagon, Camper, Westfalia

FRONT WHEEL

1989-1985 Vanagon
 Seal (inner) 225500[2]
 Cone/Cup (inner) LM300849-LM300811[2]
 Set (outer)SET12
1984 production from #24E023828 on
 Seal (inner) 225500[2]
 Cone/Cup (inner) LM300849-LM300811[2]
 Set (outer)SET12
1984-1980 from chassis #24A0024012 thru #24E023827
 Seal (inner) 225500[2]
 Cone/Cup (inner) LM300849-LM300811[2]
 Set (outer)SET2
1984-1975 Pickup
 SetSET35
1980-1968 thru chassis #24A0024011
 Seal (inner) 1209N[2]
 Set (inner)SET6
 Set (outer)SET2

FRONT WHEEL (cont.)

1967-1964 all
 Seal (inner) 1967[2]
 Set (inner)SET6
 Set (outer)SET2
1963-1954 all
 Bearing Assy (inner) 30306M[2]
 Bearing Assy (outer) 30305M[2]

4WD

1989-1986 Vanagon Synchro
 Seal 226515[2]
 Bearing 513180[2]

REAR WHEEL

1989-1971
 Seal 1208S[2]
 Bearing (outer)RW111[2]
 Bearing (inner) 207[2]

VOLKSWAGEN - VW TYPE II : Bus, EuroVan, Transporter, Van, Vanagon, Camper, Westfalia (cont.)

REAR WHEEL (cont.)

1970-1968	
Seal	1208S[2]
Cyl. Bearing (outer)	MU1207CF[2] ²⁰
Bearing (inner)	207[2]
1967-1963	
Cyl. Bearing	MU1207CF[2] ²⁰
1963-1959	
Seal	1012N[2]
Bearing	306TB[2]

CLUTCH

Release Bearing

1989-1980	4-cylinder 2.0: 228mm clutch
Bearing Assy	614015
1979-1976	4-cylinder 1.6 diesel: 215mm clutch
Bearing Assy	614015
1975-1968	production thru 6/1975
Bearing Only	VW1339C
1967-1957	all
Bearing Only	VW1006C

3-SPEED AUTOMATIC TRANSAXLE

Torque Converter

1989-1968	003, 090
Seal	3051N
Kwik Slv (Opt Rpr)	KWK99169
1983-1980	010
Seal	3083
Kwik Slv (Opt Rpr)	KWK99169

Output Shaft

1989-1968	003, 090
Seal	224520[2]
Kwik Slv (Opt Rpr)	KWK99177[2]
1983-1980	010
Seal Viton	1965[2]
Kwik Slv (Opt Rpr)	KWK99146[2]

Differential

1989-1968	003, 090
Cone/Cup	LM300849-LM300811[2]
1983-1980	010
Cone/Cup	LM29749-LM29710[2]

Pinion

1989-1968	003, 090
Cone/Cup	M86649-M86610[2]
Seal (rear)	239146
Seal (front)	223010
Kwik Slv (Opt Rpr)	KWK99114
1983-1980	010
Seal (front)	223010
Kwik Slv (Opt Rpr)	KWK99114
Seal (rear)	1174S
Kwik Slv (Opt Rpr)	KWK99147
Set	SET6[2]

4-SPEED MANUAL TRANSAXLE

Differential

1985-1968	091
Bearing Assy	32010X[2]
1983-1980	020
Cone/Cup	LM29749-LM29710[2]

Input Shaft

1985-1968	091
Seal	222050
Kwik Slv (Opt Rpr)	KWK99085
1983-1980	020
Seal	222240
Kwik Slv (Opt Rpr)	KWK99085

Mainshaft

1983-1980	020
Set	SET8

Output Shaft

1985-1968	091
Seal	1943[2]
Kwik Slv (Opt Rpr)	KWK99177[2]
1983-1980	020
Seal	474288[2]
Kwik Slv (Opt Rpr)	KWK99146[2]

Selector Shaft Seal/Man. Shaft

1983-1980	020
Seal	221820

5-SPEED MANUAL TRANSAXLE

Differential

1989-1986	094
Bearing Assy	32010X[2]

Input Shaft

1989-1986	094
Seal	222050
Kwik Slv (Opt Rpr)	KWK99085

Output Shaft

1989-1986	094
Seal	1943[2]
Kwik Slv (Opt Rpr)	KWK99177[2]

DRIVESHAFT SUPPORT

1989-1986	Vanagon Synchro
Bearing (front)	107WB
Bearing (rear)	206WB

[] Indicates Quantity Required; Set Components Listed Inside Rear Cover;
²⁰ Not currently in production; check for availability

Bearings and Seals

Mfg./Year Model & Location Part No Mfg./Year Model & Location Part No

VOLKSWAGEN - VW TYPE II : Bus, EuroVan, Transporter, Van, Vanagon, Camper, Westfalia (cont.)

CAMSHAFT SEAL

4 Cylinder

1984-1980 1.5L, 1.6L, 1.7L (incl. diesels)
 Seal 3476S
 Kwik Slv (Opt Rpr)KWK99128

CRANKSHAFT REAR SEAL

4 Cylinder

1989-1974 1.8L, 1.9L, 2.0L, 2.1L
 Seal 227530
 Kwik Slv (Opt Rpr)KWK99294
1984-1980 1.5L, 1.6L, 1.7L (incl. diesels)
 Seal 716102
 Kwik Slv (Opt Rpr)KWK99333
1971-1961 1192cc/1.2L, 1493cc/1.5L,
 1584cc/1.6L
 Seal 227040
 Kwik Slv (Opt Rpr)KWK99272
1960-1959 1192cc/1.2L
 Seal 226020
 Kwik Slv (Opt Rpr)KWK99235

TIMING COVER

4 Cylinder

1984-1980 1471cc/1.5L, 1588cc/1.6L,
 1715cc/1.7L (incl. diesels)
 Seal 3476S
 Kwik Slv (Opt Rpr)KWK99128
1983-1981 1951cc/1.9L, 2109cc/2.1L
 Seal 1973
 Kwik Slv (Opt Rpr)KWK99189
1983-1980 1971cc/2.0L
 Seal 224250
 Kwik Slv (Opt Rpr)KWK99166
1979-1972 1679cc/1.7L, 1795cc/1.8L,
 1970cc/2.0L
 Seal 224252
 Kwik Slv (Opt Rpr)KWK99166

VOLKSWAGEN - VW TYPE III : Fastback, Sedan, Squareback

FRONT WHEEL

1974-1969
 Seal (inner) 1195[2]
 Set (inner)SET8
 Set (outer)SET1
1968-1961
 Seal (inner) 1968[2]
 Set (inner)SET4
 Set (outer)SET1

REAR WHEEL

1973-1968
 Seal (inner) 1012N[2]
 Bearing (inner)206WB[2]
 Cyl. Bearing (outer) MA1206EF[2]
1967-1966
 Bearing306TB[2]

CLUTCH

Release Bearing

1973-1970
 Bearing Only VW1339C
1969-1961
 Bearing Only VW1006C

AUTOMATIC TRANSAXLE

Differential

1979-1968 Auto-Stick
 Cone/CupLM300849-LM300811[2]

AUTOMATIC TRANSAXLE

Pinion

1979-1968 Auto-Stick
 Bearing (front) 5305KE

3-SPEED AUTOMATIC TRANSAXLE

Torque Converter

1979-1969
 Seal 3051N
 Kwik Slv (Opt Rpr)KWK99169

Output Shaft

1979-1969
 Seal 224520[2]
 Kwik Slv (Opt Rpr)KWK99177[2]

Differential

1975-1969
 Cone/CupLM300849-LM300811[2]

VOLKSWAGEN - VW TYPE III : Fastback, Sedan, Squareback (cont.)

3-SPEED AUTOMATIC TRANSAXLE

Pinion

1975-1969	
Seal (front)	223010
Cone/Cup (front)	M86649-M86610
Kwik Slv (Opt Rpr)	KWK99114
Seal (rear)	239146
Cone/Cup (rear)	M86649-M86610

4-SPEED MANUAL TRANSAXLE

Differential

1979-1949	002, 004
Cone/Cup	LM300849-LM300811[2]

Input Shaft

1979-1949	002, 004
Seal	222050
Kwik Slv (Opt Rpr)	KWK99085

CRANKSHAFT REAR SEAL

4 Cylinder

1979-1961	1192cc/1.2L, 1285cc/1.3L, 1493cc/1.5L, 1584cc/1.6L
Seal	227040
Kwik Slv (Opt Rpr)	KWK99272

CRANKSHAFT REAR SEAL (cont.)

4 Cylinder (cont.)

1975-1971	1679cc/1.7L, 1795cc/1.8L
Seal	227530
Kwik Slv (Opt Rpr)	KWK99294
1960-1954	1192cc/1.2L
Seal	226020
Kwik Slv (Opt Rpr)	KWK99235

TIMING COVER

4 Cylinder

1975-1971	1679cc/1.7L, 1795cc/1.8L
Seal	224252
Kwik Slv (Opt Rpr)	KWK99166

VOLKSWAGEN - VW TYPE IV : 411, 412

FRONT WHEEL

1974-1971	
Seal (inner)	1195[2]
Set (inner)	SET8
Set (outer)	SET1

REAR WHEEL

1974-1971	
Seal	1969[2]
Cone/Cup	LM78349-LM78310A[2]

CLUTCH

Release Bearing

1974-1971	
Bearing Assy	614148

3-SPEED AUTOMATIC TRANSAXLE

Torque Converter

1974-1971	
Seal	3051N
Kwik Slv (Opt Rpr)	KWK99169

3-SPEED AUTOMATIC TRANSAXLE

Output Shaft

1974-1971	
Seal	224520[2]
Kwik Slv (Opt Rpr)	KWK99177[2]

Differential

1974-1971	
Cone/Cup	LM300849-LM300811[2]

Pinion

1974-1971	
Seal (front)	223010
Cone/Cup (front)	M86649-M86610
Kwik Slv (Opt Rpr)	KWK99114
Seal (rear)	239146
Cone/Cup (rear)	M86649-M86610

4-SPEED MANUAL TRANSAXLE

Differential

1974-1971	002, 004
Cone/Cup	LM300849-LM300811[2]

Bearings and Seals

Mfg./Year Model & Location Part No Mfg./Year Model & Location Part No

VOLKSWAGEN - VW TYPE IV : 411, 412 (cont.)

4-SPEED MANUAL TRANSAXLE

Input Shaft

1974-1971 002, 004
 Seal 222050
 Kwik Slv (Opt Rpr)KWK99085

CRANKSHAFT REAR SEAL

4 Cylinder

1974-1971 1679cc/1.7L, 1795cc/1.8L
 Seal 227530
 Kwik Slv (Opt Rpr)KWK99294

TIMING COVER

4 Cylinder

1975-1971 1679cc/1.7L, 1795cc/1.8L
 Seal 224252
 Kwik Slv (Opt Rpr)KWK99166

VOLVO

FRONT WHEEL

1989 760,780.940 series (w/ABS)
 Hub Assy HA590056K[2]
 1989-1982 240, 260 Series
 Set (outer)SET16
 1989-1982 DL, GL, GLT
 Seal (inner) 482126[2]
 Set (inner)SET17
 Set (outer)SET16
 1989-1988 780 Series (non-ABS)
 Hub Assy 513128[2]
 1989-1988 740 Series
 Seal (inner) 710215[2]
 Set (inner)SET17
 Set (outer)SET16
 1989-1988 760 Series (non-ABS)
 Hub Assy 513128[2]
 1988 760, 780 series (w/ABS)
 Hub Assy HA590055K[2]
 1987-1983 740, 760, 780 Series
 Set (inner)SET17
 Set (outer)SET16
 1987-1977 264TE
 Set (inner)SET17
 Set (outer)SET16
 1981-1975 240, 260 Series
 Seal (inner) 482126[2]
 Set (inner)SET6
 Set (outer)SET2
 1981-1967 140, 160 Series
 Seal (inner) 482126[2]
 Set (inner)SET6
 Set (outer)SET2
 1968-1957 110, 120, 130 Series
 Seal (inner) 224045[2]
 Cone/Cup (inner) 15112-15245[2]
 Cone/Cup (outer)09074-09195[2]
 1968-1957 220 Series
 Seal (inner) 224045[2]
 Cone/Cup (inner) 15112-15245[2]
 Cone/Cup (outer)09074-09195[2]

FRONT WHEEL (cont.)

1966-1957 440, 540 Series
 Seal (inner) 224045[2]
 Cone/Cup (inner) 15112-15245[2]
 Cone/Cup (outer)09074-09195[2]
 1966-1957 P1800
 Seal (inner) 224045[2]
 Cone/Cup (inner) 15112-15245[2]
 Cone/Cup (outer)09074-09195[2]

REAR WHEEL

1989-1975 240 Series
 Seal (inner) 1955[2]
 SetSET10
 Seal (outer) 9912S[2]
 1989-1988 740 Series (Electronic Traction Control)
 Seal (inner) 1955[2]
 SetSET10
 Seal (outer) 9912S[2]
 1989-1988 740 Series (Exc. Electronic Traction Control)
 Seal (inner) 1176S[2]
 SetSET10
 Seal (outer) 9912S[2]
 1989-1988 760 Series
 Bearing 513130[2]
 1989-1980 DL, GL, GLE
 Seal (inner) 1955[2]
 SetSET10
 Seal (outer) 9912S[2]
 1987-1986 740, 760, 780 Series (Electronic Traction Control)
 Seal (inner) 1955[2]
 SetSET10
 Seal (outer) 9912S[2]
 1987-1986 740, 760, 780 Series (Exc. Electronic Traction Control)
 Seal (inner) 1176S[2]
 SetSET10
 Seal (outer) 9912S[2]
 1979-1976 260 Series
 Seal (inner) 1955[2]
 SetSET10
 Seal (outer) 9912S[2]

VOLVO (cont.)

REAR WHEEL (cont.)

1975-1971	160 Series	
Seal (inner)	1955[2]
Set	SET10
Seal (outer)	9912S[2]
1974-1972	140 Series	
Seal (inner)	1955[2]
Set	SET10
Seal (outer)	9912S[2]
1973-1969	P1800 Series	
Seal (inner)	1955[2]
Set	SET10
Seal (outer)	9912S[2]
1971-1967	140 Series	
Seal (inner)	40769S[2]
Set (inner)	SET5
1970-1966	120 Series: late: ENV axle	
Cone/Cup	14132T-14276[2]
1970-1966	120 Series: late: Spicer axle	
Cone/Cup	14132T-14276[2]
1970-1966	130 Series: late: ENV axle	
Cone/Cup	14132T-14276[2]
1970-1966	130 Series: late: Spicer axle	
Cone/Cup	14132T-14276[2]
1970-1966	130 Series: late: 1030 axle	
Cone/Cup	14132T-14276[2]
1968-1962	P1800 Series: late: ENV axle	
Seal	450135[2]
Cone/Cup	14132T-14276[2]
1968-1962	P1800 Series: late: Spicer axle	
Seal	450135[2]
Cone/Cup	14132T-14276[2]
1968-1962	P1800 Series: late: 1030 axle	
Seal	450135[2]
Cone/Cup	14132T-14276[2]
1966-1962	440 Series: late: ENV axle	
Seal	450135[2]
Cone/Cup	14132T-14276[2]
1966-1962	440 Series: late: Spicer axle	
Seal	450135[2]
Cone/Cup	14132T-14276[2]
1966-1962	440 Series: late: 1030 axle	
Seal	450135[2]
Cone/Cup	14132T-14276[2]
1966-1962	540 Series: late: ENV axle	
Seal	450135[2]
Cone/Cup	14132T-14276[2]
1966-1962	540 Series: late: Spicer axle	
Seal	450135[2]
Cone/Cup	14132T-14276[2]
1966-1962	540 Series: late: 1030 axle	
Seal	450135[2]
Cone/Cup	14132T-14276[2]
1966-1957	110 Series	
Cone/Cup	14132T-14276[2]
1966-1957	440 Series: ENV axle	
Seal	471192[2]
Bearing Assy	32207M[2]
1966-1957	440 Series: early: Salisbury axle	
Bearing Assy	32207M[2]
1966-1957	540 Series: ENV axle	
Seal	471192[2]
Bearing Assy	32207M[2]

REAR WHEEL (cont.)

1966-1957	540 Series: early: Salisbury axle	
Bearing Assy	32207M[2]
1965-1962	P1800 Series: ENV axle	
Seal	471192[2]
Bearing Assy	32207M[2]
1965-1962	P1800 Series: early: Salisbury axle	
Bearing Assy	32207M[2]
1965-1957	120 Series: ENV axle	
Seal	471192[2]
Bearing Assy	32207M[2]
1965-1957	120 Series: early: Salisbury axle	
Bearing Assy	32207M[2]
1965-1957	130 Series: ENV axle	
Seal	471192[2]
Bearing Assy	32207M[2]
1965-1957	130 Series: early: Salisbury axle	
Bearing Assy	32207M[2]

REAR AXLE

Differential Rebuild Kit

1989-1980	1030	
Kit	DRK338

Differential

1989-1988	1045 axle	
Set	SET45
1989-1980	1041 axle	
Cone/Cup	LM501349-LM501314[2]
1989-1965	1030, 1031 axle	
Cone/Cup	LM501349-LM501314[2]
1989-1982	DL, GL, GLT	
Cone/Cup	LM501349-LM501314[2]
1989-1976	240 Series	
Cone/Cup	LM501349-LM501314[2]
1989-1983	740 Series	
Cone/Cup	LM501349-LM501314[2]
1987-1983	760 Series	
Cone/Cup	LM501349-LM501314[2]
1982-1976	260 Series	
Cone/Cup	LM501349-LM501314[2]
1981-1976	140 Series	
Cone/Cup	LM501349-LM501314[2]
1976	164	
Cone/Cup	LM501349-LM501314[2]
1961-1956	Spicer M25	
Cone/Cup	24780-24721[2]

Pinion

1989-1980	1031, 1041, 1045 axle	
Cone/Cup (inner)	HM89449-HM89410
Seal Viton (outer)	4941V
Cone/Cup (outer)	M86647-M86610
Kwik Slv (Opt Rpr)	KWK99155
1989-1980	1030 axle	
Cone/Cup (inner)	HM88649-HM88610
Seal Viton (outer)	4941V
Cone/Cup (outer)	M86648-M86610
Kwik Slv (Opt Rpr)	KWK99155

Bearings and Seals

Mfg./Year	Model & Location	Part No	Mfg./Year	Model & Location	Part No
-----------	------------------	---------	-----------	------------------	---------

VOLVO (cont.)

REAR AXLE (cont.)

Pinion (cont.)

1988-1983	740, 760 Series: axles 1216087, 1216148, 1216149	
	Cone/Cup (inner)	HM88649-HM88610
	Seal (outer)	5778
	Cone/Cup (outer)	M86647-M86610
1988-1983	740, 760 Series: axle 1216091, 1216144, 1216147, 1216125	
	Cone/Cup (inner)	HM89449-HM89410
	Seal (outer)	5778
	Cone/Cup (outer)	M86647-M86610
1988-1975	240 Series: std. pinion	
	Cone/Cup (inner)	HM88649-HM88610
	Seal (outer)	5778
	Cone/Cup (outer)	M86647-M86610
1988-1975	240 Series: reinforced pinion	
	Cone/Cup (inner)	HM89449-HM89410
	Seal (outer)	5778
	Cone/Cup (outer)	M86647-M86610
1982-1975	260 Series: std. pinion	
	Cone/Cup (inner)	HM88649-HM88610
	Seal (outer)	5778
	Cone/Cup (outer)	M86647-M86610
1982-1975	260 Series: reinforced pinion	
	Cone/Cup (inner)	HM89449-HM89410
	Seal (outer)	5778
	Cone/Cup (outer)	M86647-M86610
1975-1969	150 Series exc. PC	
	Cone/Cup (inner)	HM89449-HM89410
	Seal (outer)	5778
	Cone/Cup (outer)	M86647-M86610
1974-1967	140 Series	
	Cone/Cup (inner)	HM88649-HM88610
	Seal (outer)	5778
	Cone/Cup (outer)	M86647-M86610
1968-1962	120 Series: 1030, Spicer axle	
	Cone/Cup (inner)	HM88649-HM88610
	Seal (outer)	5778
	Cone/Cup (outer)	M86647-M86610
1968-1962	130 Series: 1030, Spicer axle	
	Cone/Cup (inner)	HM88649-HM88610
	Seal (outer)	5778
	Cone/Cup (outer)	M86647-M86610
1966-1962	440, 540, 1800 Series: 1030 axle	
	Cone/Cup (inner)	HM88649-HM88610
	Seal (outer)	5778
	Cone/Cup (outer)	M86647-M86610
1966-1962	440, 540, 1800 Series: Spicer M27 axle	
	Cone/Cup (inner)	HM88649-HM88610
	Seal (outer)	5778
	Cone/Cup (outer)	M86647-M86610
1965-1957	120 Series: Salisbury axle	
	Cone/Cup (inner)	31593-31520
	Seal (outer)	5778
	Cone/Cup (outer)	02872-02820
1965-1957	130 Series: Salisbury axle	
	Cone/Cup (inner)	31593-31520
	Seal (outer)	5778
	Cone/Cup (outer)	02872-02820

REAR AXLE (cont.)

Pinion (cont.)

1965-1957	440, 540, 1800 Series: Salisbury axle	
	Cone/Cup (inner)	31593-31520
	Seal (outer)	5778
	Cone/Cup (outer)	02872-02820
	Kwik Slv (Opt Rpr)	KWK99155
1965-1957	440, 540, 1800 Series: Spicer #25 axle	
	Cone/Cup (inner)	31594-31520
	Seal (outer)	5778
	Cone/Cup (outer)	02872-02820
	Kwik Slv (Opt Rpr)	KWK99155

3-SPEED AUTOMATIC TRANSMISSION

Torque Converter

1984-1975	Borg Warner T55	
	Seal	224320
1982-1973	Aisin	
	Seal	223830
	Kwik Slv (Opt Rpr)	KWK99147
1975-1962	Borg Warner T35	
	Seal	480479H
	Kwik Slv (Opt Rpr)	KWK99168

Rear Seal/Ext. Housing

1984-1962	Borg Warner	
	Seal	1097N
1982-1973	Aisin	
	Seal	223840

CLUTCH - 4 CYLINDER

Pilot Bearing

1989-1969	Bearing	202FF
------------------	---------------	-------

CLUTCH - 6 CYLINDER

Pilot Bearing

1986-1980	diesel engine	
	Needle Bearing	F85706
1984-1976	exc. diesel	
	Bearing	203FF
1975-1969	Bearing	202FF

CLUTCH - 4 CYLINDER

Release Bearing

1989-1982	240 Series; 740 Series; 940	
	Bearing Assy	614039
1984-1968	140 Series; 1800 Series; 240 Series; 260 Series; 760GLE exc. B28 eng.	
	Bearing Assy	614028

VOLVO (cont.)

CLUTCH - 6 CYLINDER

Release Bearing

1989-1985	740 GLE; 760 GLE	
	Bearing Assy	614039
1984-1980	2383cc/2.4L Diesel	
	w/Fichtel-Sachs clutch	
	Bearing Assy	614028
1979-1976	2673cc/2.7L (DOHC)	
	Bearing Assy	614029

3-SPEED MANUAL TRANSMISSION

Front Input Shaft

1968-1956	M30	
	Seal	222820
	Bearing	207SL
	Kwik Slv (Opt Rpr)	KWK99111
1967-1956	H6	
	Seal	222820
	Bearing	206SL
	Kwik Slv (Opt Rpr)	KWK99111

Rear Output Shaft

1968-1956	M30	
	Seal	472258
	Bearing	206WB
1967-1956	H6	
	Seal	472258
	Bearing	206WB

4-SPEED MANUAL TRANSMISSION

Input Shaft

1989-1976	M45, M46	
	Seal	222820
	Bearing	207SL
	Kwik Slv (Opt Rpr)	KWK99111
1975-1969	M400, M410	
	Seal	222820
	Bearing	207SL
	Kwik Slv (Opt Rpr)	KWK99111
1975-1956	M4, M40, M41	
	Seal	222820
	Bearing	207SL
	Kwik Slv (Opt Rpr)	KWK99111

Countershaft

1989-1985	M46	
	Set	SET4[2]
1984-1976	M46	
	Set (center)	SET4
	Set (rear)	SET14
1981-1979	M45	
	Set	SET4[2]
1978-1976	M45	
	Set (front)	SET4
	Set (center)	SET14
1975-1969	M400, M410	
	Bearing (front)	304WB
	Bearing (rear)	305AG

4-SPEED MANUAL TRANSMISSION

Rear Output Shaft

1989-1976	M45, M46	
	Seal	224010
1975-1969	M400, M410	
	Seal	224010
	Bearing	306L
1975-1956	M4, M40, M41	
	Seal	472258
	Bearing	306TB

5-SPEED MANUAL TRANSMISSION

Front Input Shaft

1989-1987		
	Seal	222820
	Kwik Slv (Opt Rpr)	KWK99111

Countershaft

1989-1987		
	Set (center)	SET4
	Set (rear)	SET17

Rear Output Shaft

1989-1987		
	Seal	1962

A/C COMPRESSOR

1989-1975	A6 Axial	
	Bearing	907257
1987-1983	R4 Radial	
	Bearing (clutch pulley)	907257
	Bearing (Frt head)	S128
1986-1980	Sanden SD 510 Axial	
	Bearing	5001KFF
1984-1973	York Mini 206	
	Bearing	206FF

ALTERNATOR

1989-1967	Bosch 70 amp	
	Bearing (drive end)	303CC
	Bearing (rear end)	201CC
1989-1967	Bosch 90 amp	
	Bearing (drive end)	303CC
	Bearing (rear end)	201CC
1987-1967	Bosch 55 amp	
	Bearing (drive end)	303CC
	Bearing (rear end)	201CC
1981-1975	Marchal	
	Bearing (drive end)	303CC
	Bearing (rear end)	200CC
1975-1967	Bosch 35 amp	
	Bearing (drive end)	203FF
	Bearing (rear end)	201CC
1974-1967	Marchal	
	Bearing (drive end)	203FF
	Bearing (rear end)	200CC
1973-1969	all	
	Bearing (drive end)	203FF
	Bearing (rear end)	200AB

Bearings and Seals

Mfg./Year	Model & Location	Part No	Mfg./Year	Model & Location	Part No
-----------	------------------	---------	-----------	------------------	---------

VOLVO (cont.)

GENERATOR

1969-1958	Bosch	
Bearing (drive end)	203AB
Bearing (rear end)	202AG

DRIVESHAFT SUPPORT

1989-1983	w/Type 03 driveshaft	
Bearing	109FF
1989-1975	240 & 260 Series w/45mm driveshaft	
Bearing	109FF
1989-1988	w/Type 13 driveshaft	
Bearing	107DD
1986-1983	740; 760 Series w/type 02HD driveshaft	
Bearing	107DD
1984-1983	760 Series w/type 03HD driveshaft	
Bearing	108FFN
1984-1975	200 Series w/35mm shaft	
Bearing	107DD
1975-1965	140 Series; 164 & 1800 w/type 1310	
Bearing	109FF

MANUAL STEERING

Pitman Shaft

1989-1975	Saginaw pump	
Seal	7013S

Worm Shaft

1984-1979	200 Series	
Seal	441130
1975-1970	164	
Seal	254270
1974-1969	P1800, 140, Series	
Seal	222210

AUXILIARY SHAFT

4 Cylinder

1989-1976	1780cc/1.8L; 1990cc/2.0L; 2127cc/2.1L; 2316cc/2.3L	
Seal	1172S
Kwik Slv (Opt Rpr)	KWK99139

CAMSHAFT SEAL

4 Cylinder

1989-1976	2127cc/2.1L; 2316cc/2.3L	
Seal	1172S
Kwik Slv (Opt Rpr)	KWK99139
1989	2316cc/2.3L DOHC	
Seal	1172S[2]
Kwik Slv (Opt Rpr)	KWK99139[2]

6 Cylinder

1986-1980	2383cc/2.4L Diesel; Turbo Diesel	
Seal	3476S
Kwik Slv (Opt Rpr)	KWK99128

CRANKSHAFT REAR SEAL

4 Cylinder

1989-1961	1780cc/1.8L; 1990cc/2.0L; 2127cc/2.1L; 2316cc/2.3L	
Seal Viton	229210

6 Cylinder

1986-1980	2383cc/2.4L Diesel; Turbo Diesel	
Seal	716102
Kwik Slv (Opt Rpr)	KWK99333
1984-1983	2849cc/2.8L	
Seal	228010
Kwik Slv (Opt Rpr)	KWK99315
1979-1976	2673cc/2.7L DOHC	
Seal	228010
Kwik Slv (Opt Rpr)	KWK99315
1975-1969	2980cc/3.0L	
Seal Viton	229210
Kwik Slv (Opt Rpr)	KWK99360

TIMING COVER

4 Cylinder

1989-1976	2127cc/2.1L; 2316cc/2.3L	
Seal Viton	710190

6 Cylinder

1986-1980	2383cc/2.4L Diesel; Turbo Diesel	
Seal Viton	1108
Kwik Slv (Opt Rpr)	KWK99139
1984-1983	2849cc/2.8L	
Seal	224252
Kwik Slv (Opt Rpr)	KWK99169
1979-1976	2673cc/2.7L DOHC	
Seal	224252
Kwik Slv (Opt Rpr)	KWK99169
1975-1969	2980cc/3.0L	
Seal Viton	710190
Kwik Slv (Opt Rpr)	KWK99204

VOLVO TRUCK - FE Series

FRONT WHEEL

1989-1987	FE613, FE614	
	Cone/Cup (inner)	JM207049-JM207010[2]
	Bearing Assy (outer)	32208M[2]
1989-1987	FE715, FE716: FA7.5 axle	
	Cone/Cup (inner)	JF7049A-JF7010[2]
	Cone/Cup (outer)	39580-39520[2]
1989-1987	FE715, FE716: FA6.5 axle	
	Cone/Cup (inner)	6386-6320[2]
	Cone/Cup (outer)	537-532X[2]
1989-1987	FE615	
	Cone/Cup (inner)	HM212044-HM212011[2]
	Cone/Cup (outer)	JM205149-JM205110[2]
1986-1980	3.937" bearing OD	
	Seal (inner)	228520[2]
	Bearing Assy (inner)	32211M[2]
	Bearing Assy (outer)	32208M[2]
1986-1980	3.740" bearing OD	
	Cone/Cup (inner)	JM207049-JM207010[2]
	Bearing Assy (outer)	32208M[2]

REAR WHEEL

1989-1987	FE715, FE716	
	Cone/Cup (inner)	683-672[2]
	Cone/Cup (outer)	663-653[2]
1989-1987	FE615	
	Cone/Cup (inner)	594-592A[2]
	Cone/Cup (outer)	580-572[2]
1989-1980	F/FE 600 Series: exc. FE615	
	Seal (inner)	231004[2]
	Bearing Assy (inner)	33018[2]
	Bearing Assy (outer)	33015[2]

REAR AXLE

Differential

1989-1987	EV85B	
	Cone/Cup	687-672[2]
1989-1987	EV80	
	Cone/Cup	594-592A[2]
1989-1978	EV75	
	Cone/Cup (LH)	56425-56650
	Cone/Cup (RH)	497-493
1986-1978	EV41, EV45	
	Cone/Cup	42687-42620[2]

Pinion

1989-1987	EV85B	
	Cone/Cup (outer)	H913842-H913810
1989-1987	EV80	
	Cone/Cup (outer)	HM911245-HM911210
1989-1978	EV75	
	Seal (outer)	9773R
	Kwik Slv (Opt Rpr)	KWK99262
1986-1978	EV41	
	Cone/Cup (inner)	66200-66462
	Cone/Cup (outer)	55187C-55443
1986-1978	EV45	
	Cone/Cup (inner)	HM911242-HM911210
	Cone/Cup (outer)	55187C-55443

4-SPEED AUTOMATIC TRANSMISSION

Torque Converter

1989-1987	Allison MT640, MT643	
	Seal Viton	710180
	Kwik Slv (Opt Rpr)	KWK99325
1989-1978	Allison AT545	
	Seal	6712NA
	Kwik Slv (Opt Rpr)	KWK99187

Rear Seal/Ext. Housing

1989-1980	Allison MT640	
	Seal	415988
1989-1978	Allison AT545	
	Seal	415988

Selector Shaft Seal/Man. Shaft

1989-1980	Allison MT640, MT643	
	Seal	340847
1989-1978	Allison AT545	
	Seal	340847

Output Shaft

1989-1987	Allison MT640, MT643	
	Seal	476424N
	Bearing	209L

CLUTCH

Pilot Bearing

1989-1980	5.5 turbodiesel, 6.7 turbodiesel	
	Bearing	205FF

Release Bearing

1989-1987	6.7 turbodiesel	
	Bearing Assy	614119

5-SPEED MANUAL TRANSMISSION

Front Input Shaft Pocket

1989-1978	ZF S5-35	
	Seal	224252
	Kwik Slv (Opt Rpr)	KWK99169

Countershaft

1989-1978	ZF S5-35	
	Bearing Assy	30208M

Rear Output Shaft

1989-1978	ZF S5-35	
	Seal Viton	226001

6-SPEED MANUAL TRANSMISSION

Front Input Shaft

1989-1978	ZF S6-65	
	Seal	1973
	Kwik Slv (Opt Rpr)	KWK99189

Bearings and Seals

Mfg./Year	Model & Location	Part No	Mfg./Year	Model & Location	Part No
-----------	------------------	---------	-----------	------------------	---------

VOLVO TRUCK - FE Series (cont.)

6-SPEED MANUAL TRANSMISSION

Countershaft

1989-1978 ZF S6-65
 Bearing (front) 203FF

Rear Output Shaft

1989-1978 ZF S6-65
 Seal 227040
 Bearing 311L

6-SPEED MANUAL TRANSMISSION

Selector Shaft Seal/Man. Shaft

1989-1978 ZF S6-65
 Seal 222510
 Kwik Slv (Opt Rpr)KWK99098

WARD LA FRANCE Truck

DRIVESHAFT SUPPORT

1976-1965 Spicer: 1.7717" bearing ID
 Hanger Bearing AssyHB88509
 1976-1965 Spicer: 1.9685" bearing ID
 Hanger Bearing AssyHB88510
 1976-1965 Spicer: 2.3622" bearing ID
 Hanger Bearing Assy HB88512AHD

WHITE - DIAMOND T - REO Truck

DRIVESHAFT SUPPORT

1976-1958 Spicer: 1.3780" bearing ID
 Hanger Bearing AssyHB88107
 1976-1958 Spicer: 1.5748" bearing ID
 Hanger Bearing AssyHB88508
 1976-1958 Spicer: 1.7717" bearing ID
 Hanger Bearing AssyHB88509
 1976-1958 Spicer: 1.9685" bearing ID
 Hanger Bearing AssyHB88510
 1976-1958 Spicer: 2.3622" bearing ID
 Hanger Bearing Assy HB88512AHD

YUGO

FRONT WHEEL

1989-1986
 Bearing 513116[2]

REAR WHEEL

1989-1986
 Bearing 513116[2]

CLUTCH

Release Bearing

1989-1986
 Bearing Only F11710C

5-SPEED MANUAL TRANSAXLE

Input Shaft

1989-1986
 Seal 222240
 Kwik Slv (Opt Rpr)KWK99085

Output Shaft

1989-1986
 Bearing (drive end)203S
 Bearing (rear end)201SS
 Seal 222510[2]
 Kwik Slv (Opt Rpr)KWK99098

ALTERNATOR

1989-1986
 Bearing (drive end)203S
 1989-1986
 Bearing (rear end)201SS

Mfg./Year	Model & Location	Part No	Mfg./Year	Model & Location	Part No
-----------	------------------	---------	-----------	------------------	---------

YUGO (cont.)

CAMSHAFT SEAL**4 Cylinder**

1989-1986

Seal 223035

MODEL TO MANUFACTURER CROSS REFERENCE

A4Audi	CamryToyota	CougarMercury	ExplorerFord Trk.
A6Audi	CapriMercury	Country SedanFord	F10Nissan
AcclaimPlymouth	CapriceChevrolet	Country SquireFord	F40Ferrari
AccordHonda	CaravanDodge Trk.	Coupe 5SAudi	FairmontFord
AchievaOldsmobile	CaravellePlymouth	CourierFord Trk.	FastbackVolkswagen
AerostarFord Trk.	CarreraPorsche	CountachLamborghini	FestivaFord
AlfettaAlfa Romeo	CatalinaPontiac	CRXHonda	FieroPontiac
AllanteCadillac	CavalierChevrolet	CressidaToyota	FiestaFord
AllianceRenault	CDBitter	Crown VictoriaFord	Fifth AvenueChrysler
AMXAMC	CelebrityChevrolet	Custom CruiserOldsmobile	FirebirdPontiac
AmigoIsuzu	CelicaToyota	CutlassOldsmobile	FirenzaOldsmobile
AriesDodge	CenturyBuick	Cutlass SupremeOldsmobile	FleetwoodCadillac
ArrowPlymouth	ChallengerDodge	Cutlass CieraOldsmobile	FoxAudi
AspenDodge	ChampPlymouth	D21 Hardbody P.U.Nissan	FoxVolkswagen
AstrePontiac	CharadeDaihatsu	D50 Trk.Dodge Trk.	FuegoRenault
AstroChevy Trk.	ChargerDodge	DBSAston Martin	FuryPlymouth
AvengerDodge	CherokeeJeep	DakotaDodge Trk.	Galaxie 500Ford
B210Nissan	ChevelleChevrolet	DartDodge	GalantMitsubishi
B1600Mazda	ChevetteChevrolet	DasherVolkswagen	GLCMazda
B1800, B2000Mazda	CieraOldsmobile	DaytonaDodge	GladiatorJeep
B2200, B2600Mazda	CimarronCadillac	Delta 88, 98Oldsmobile	GolfVolkswagen
BB512iFerrari	CirrusChrysler	De VilleCadillac	GordiniRenault
BavariaBMW	CitationChevrolet	DiamanteMitsubishi	GraduateAlfa Romeo
BeetleVolkswagen	CivicHonda	DinoFerrari	Gran FuryPlymouth
BerettaChevrolet	CJ5/7Jeep	DiplomatDodge	GranadaFord
BerlinaAlfa Romeo	Colony ParkMercury	DL & GLVolvo	Grand AmPontiac
BiturboMaserati	ColtDodge	DusterPlymouth	Grand CherokeeJeep
BlazerChevy Trk.	ComancheJeep	DynastyDodge	Grand MarquisMercury
BobcatMercury	CometMercury	Eagle (thru 1987)AMC	Grand PrixPontiac
BonnevillePontiac	ConcordAMC	E ClassChrysler	Grand VoyagerPlymouth Trk.
BoraMaserati	ConcordeChrysler	EclipseMitsubishi	Grand WagoneerJeep
BratSubaru	ContinentalBentley	Econoline VanFord Trk.	GremlinAMC
BravaFiat	ContinentalLincoln	El CaminoChevy Trk.	GS 300Lexus
BravadaOldsmobile	ConquestDodge	ElcatLotus	GS 400Lexus
BroncoFord Trk.	CordiaMitsubishi	EldoradoCadillac	GTAlfa Romeo
Bronco IIFord Trk.	CordobaChrysler	ElectraBuick	GT6Triumph
BroughamCadillac	CornicheRolls Royce	EliteLotus	GTIVolkswagen
BugVolkswagen	CorollaToyota	EncoreRenault	GTV-6Alfa Romeo
CaballeroGMC Trk.	CoronaToyota	ES 250Lexus	HorizonPlymouth
CabrioletVolkswagen	CoronetDodge	ES300Lexus	HornetAMC
CalaisCadillac	CorradoVolkswagen	EscortFord	I-MarkIsuzu
CalaisOldsmobile	CorsaToyota	EspritLotus	ImpalaChevrolet
CelesteMitsubishi	CorsicaChevrolet	Estate WagonBuick	ImperialChrysler
CamaragueRolls Royce	CorvetteChevrolet	ExcelHyundai	ImpulseIsuzu
CamaroChevrolet	CosmoMazda	EXPFord	IntegraAcura

MODEL TO MANUFACTURER CROSS REFERENCE *continued*

Intrepid.....Dodge	Micra.....Nissan	R-3, R-4, R-6, R-8...Renault	Silver Spur.....Rolls Royce
J30.....Infiniti	Midget.....MG	R-12, R-17, R-18....Renault	Skyhawk.....Buick
J2000.....Pontiac	Milano.....Alfa Romeo	RX-2, RX-3, RX-4....Mazda	Skylark.....Buick
Jetta.....Volkswagen	Mirada.....Dodge	RX-7.....Mazda	Somerset Regal.....Buick
Jimmy.....GMC Trk.	Mirage.....Mitsubishi	Rabbit.....Volkswagen	Sonata.....Hyundai
Justy.....Subaru	Mizer.....Mazda	Raider.....Dodge Trk.	Spectrum.....Chevrolet
Karmann Ghia.....Volkswagen	Monaco.....Dodge	Ram 50.....Dodge Trk.	Spider.....Fiat
Khamsin.....Maserati	Monarch.....Mercury	Ramcharger.....Dodge Trk.	Spider Veloce.....Alfa Romeo
Kyalami.....Maserati	Mondial.....Ferrari	Rampage.....Dodge Trk.	Spirit.....AMC
Lagondra.....Aston Martin	Monte Carlo.....Chevrolet	Ranchero.....Ford Trk.	Spirit.....Dodge
Lancer.....Dodge	Montego.....Mercury	Ranch Wagon.....Ford	Spitfire.....Triumph
Land Cruiser.....Toyota Trk.	Montero.....Mitsubishi	Ranger.....Ford Trk.	Sprite.....Austin-Healey
Laredo.....Jeep	Montreal.....Alfa Romeo	Reatta.....Buick	Sprint.....Chevrolet
Laser.....Chrysler	Monza.....Chevrolet	Regal.....Buick	Sprint.....GMC Trk.
Le Baron.....Chrysler	MX6.....Mazda	Reliant.....Plymouth	Squareback.....Volkswagen
Le Car.....Renault	Mulsanne.....Bentley	Riviera.....Buick	Stag.....Triumph
Legacy.....Subaru	Mustang.....Ford	Roadmaster.....Buick	Stanza.....Nissan
Legend.....Acura	Mustang II.....Ford	Rocky.....Daihatsu	Starfire.....Oldsmobile
Le Mans.....Pontiac	Mustang SVO.....Ford	Rodeo.....Isuzu	Starion.....Mitsubishi
Le Sabre.....Buick	Neon.....Dodge	Royal Monaco.....Dodge	Starlet.....Toyota
LHS.....Chrysler	Neon.....Plymouth	S-10.....Chevy Trk.	Stealth.....Dodge
Limousine.....Cadillac	New Yorker.....Chrysler	S-1500.....GMC Trk.	Stellar.....Hyundai
Limousine.....Checker	Newport.....Chrysler	Sable.....Mercury	Storm.....Geo
LN-7.....Mercury	Ninety-Eight.....Oldsmobile	Safari.....Pontiac	Strada.....Fiat
Loyale.....Subaru	Nova.....Chevrolet	Safari.....GMC Trk.	Stratus.....Dodge
LP500.....Lamborghini	NSX.....Acura	Samara.....Jeep	St. Regis.....Dodge
LS400.....Lexus	Omega.....Oldsmobile	Sapporo.....Plymouth	Summit.....Eagle
LTD, LTD II.....Ford	Omni.....Dodge	SC.....Bitter	Sunbird.....Pontiac
Lumina.....Chevrolet	Pacer.....AMC	SC 300.....Lexus	Sundance.....Plymouth
LUV Trk.....Chevy Trk.	Parisienne.....Pontiac	SC 400.....Lexus	Super 90.....Audi
Lynx.....Mercury	Park Avenue.....Buick	Scamp.....Plymouth	Supra.....Toyota
M3/M5.....BMW	Paseo.....Toyota	Scirocco.....Volkswagon	Swift.....Suzuki
M6.....BMW	Passat.....Volkswagen	Scout.....IHC Truck	T1000.....Pontiac
M10.....Nissan	Pathfinder.....Nissan	Scrambler.....Jeep	TC3.....Plymouth
Magnum XE.....Dodge	Phoenix.....Pontiac	Sebring.....Chrysler	Talon.....Eagle
Malibu.....Chevrolet	Pinto.....Ford	Sentra.....Nissan	Taurus.....Ford
Mark III, IV, V, V1.....Lincoln	Pony.....Hyundai	Sephia.....Kia	Tempest.....Pontiac
Marquis.....Mercury	Power Ram.....Dodge Trk.	Seville.....Cadillac	Tempo.....Ford
Matador.....AMC	Prelude.....Honda	Shadow.....Dodge	Tercel.....Toyota
Maverick.....Ford	Probe.....Ford	Shelby Charger.....Dodge	Testarossa.....Ferari
Maxima.....Nissan	Pulsar.....Nissan	Sigma.....Mitsubishi	Thing.....Volkswagen
Medallion.....Eagle	P'up.....Isuzu	Silhouette.....Oldsmobile	Thunderbird.....Ford
Metro.....Geo	Q45.....Infinity	Silver Cloud.....Rolls Royce	Topaz.....Mercury
MGA, MGC.....MG	Quantum.....Volkswagen	Silver Shadow.....Rolls Royce	Torino.....Ford
MGB, MGB-GT.....MG	Quattro.....Audi	Silver Spirit.....Rolls Royce	Toronado.....Oldsmobile

MODEL TO MANUFACTURER CROSS REFERENCE *continued*

Town & Country.....Chrysler	024.....Dodge	325ix.....BMW	960.....Volvo
Town & Ctry Van.....Chrysler	3.0.....BMW	350.....Mercedes	965.....Volvo
Town Car.....Lincoln	4Runner.....Toyota Trk.	356.....Porsche	968.....Porsche
TR2,TR3,TR4.....Triumph	80.....Audi	356GT.....Ferrari	1500S.....Lada
TR6,TR7,TR8.....Triumph	90.....Audi	380.....Mercedes	1800 E/ES.....Volvo
Tracer.....Mercury	88.....Oldsmobile	400.....Dodge	2000.....Alfa Romeo
Trailduster.....Plymouth Trk.	98.....Oldsmobile	405.....Peugeot	2002, 2002Ti.....BMW
Trans Sport.....Pontiac	99.....Saab	420.....Mercedes	3000.....Austin-Healey
Tredia.....Mitsubishi	100.....Audi	450.....Mercedes	4000.....Audi
Trofeo.....Oldsmobile	100.....Austin-Healey	500.....Mercedes	5000.....Audi
Trooper II.....Isuzu	124.....Fiat	504,505.....Peugeot	6000.....Pontiac
Turbo R.....Bentley	128.....Fiat	510.....Nissan	9000.....Saab
Turismo.....Plymouth	131.....Fiat	525i.....BMW	
Type 3.....Bitter	142.....Volvo	528i,530i.....BMW	
Universal.....Jeep	144.....Volvo	533i.....BMW	
V8.....Audi	145.....Volvo	535i.....BMW	
Valiant.....Plymouth	164.....Alfa Romeo	540.....BMW	
Vanagon.....Volkswagen	164.....Volvo	560.....Mercedes	
Vantage.....Aston Martin	190.....Mercedes	600.....Dodge	
Van Wagon.....Toyota Trk.	200.....Audi	604.....Peugeot	
Vega.....Chevrolet	200SX.....Nissan	610.....Nissan	
Ventura.....Pontiac	210.....Nissan	620.....Nissan	
Versailles.....Lincoln	220.....Mercedes	626.....Mazda	
Vigor.....Acura	230.....Mercedes	630CSi.....BMW	
Viper.....Dodge	240.....Volvo	633CSi.....BMW	
Virage.....Aston Martin	240D.....Mercedes	635CSi.....BMW	
Vision.....Eagle	240Z.....Nissan	720 Pickup.....Nissan	
Vista.....Eagle	242.....Nissan	733i.....BMW	
Vista Cruiser.....Oldsmobile	244.....Volvo	735i.....BMW	
Volare.....Plymouth	245.....Volvo	735iL.....BMW	
Volante.....Aston Martin	260Z.....Nissan	740.....Volvo	
Voyager.....Plymouth Trk.	264.....Volvo	740.....BMW	
Wagoneer.....Jeep	265.....Volvo	750.....BMW	
Wagovan.....Honda	280.....Mercedes	760.....Volvo	
Windstar.....Ford	280Z, ZX.....Nissan	780.....Volvo	
Wrangler.....Jeep	300.....Mercedes	810.....Nissan	
XJS.....Jaguar	300ZX.....Nissan	850.....BMW	
XJ6.....Jaguar	304.....Peugeot	900.....Saab	
XJ12.....Jaguar	308-GTB/GTS/GT4..Ferrari	911.....Porsche	
XJ40.....Jaguar	310.....Nissan	912.....Porsche	
XKE.....Jaguar	318i.....BMW	914.....Porsche	
XR4Ti.....Merkur	320i.....BMW	924.....Porsche	
XT Turbo.....Subaru	323.....Mazda	928.....Porsche	
Yukon.....GMC Trk.	325e.....BMW	940.....Volvo	
Zephyr.....Mercury	325i.....BMW	944.....Porsche	

REAR WHEEL REPAIR PACKAGE BEARINGS



Repair package bearings replace the original bearing and seal on axles, which are still in good condition, whose original bearing and/or seal contact paths are not suitable for continued use.

The extra-wide Repair Package Bearing repositions the rollers and seal to ride on unworn portions of the axle closer to the flange.

The Repair Package Bearing is lubricated through the axle tube by differential fluid, just like the original equipment design.

Six Part Numbers Now Available

TF01561R Cylindrical roller bearing - replaces R 1561 TV bearing and seal used on Ford and Dodge 1.700" axles.

TGM1561R Cylindrical roller bearing - replaces R 1561 TV bearing and seal used on Chevrolet and GMC 1.700" axles.

TRP57509 Cylindrical roller bearings - replaces 513023 bearing and seal used on Chevrolet and GMC axles.

TRP1559TV Cylindrical roller bearings - replaces R 1559 TV bearing and seal used on a variety of GM, Ford and Chrysler cars and pickup trucks with 1.618" axles. 12 bolts.

TRP1563TAV Cylindrical roller bearing - replaces R 1563 TAV bearing and seal used on a variety of GM, Ford and Chrysler cars and pickup trucks with 1.399" axles. 10 bolts.

TRP59047 Cylindrical roller bearing - replaces 513067 bearing and seal used on a variety of Chevrolet and GM truck axles with 8.5" ring gear. Available only as a repair package bearing.

WHEEL BEARING REPLACEMENT

Proper wheel bearing removal and installation is essential in avoiding premature damage to bearings and surrounding components. The following are the steps for replacing tapered single wheel bearings for passenger cars and light trucks.

Wheel end disassembly



1 Follow vehicle manufacturer's recommended procedure to remove tire and wheel assembly, disk brake caliper, dust cap, cotter pin, adjusting nut and washers.

Pull rotor toward you to loosen outer bearing cone, then remove the outer bearing cone. Pull the rotor and assembly off the spindle; the inner bearing cup and seal will come with it.

To remove the inner cone, use a seal puller or pull out the inner seal. Discard the seal after removal. Re-move the cups from the housing with a mild steel bar.

Lubricate

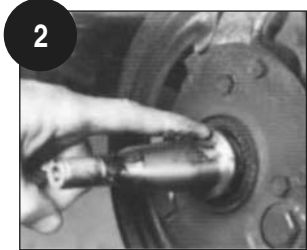


4 Pack cones fresh from carton. A pressure grease packer is recommended. To hand pack cones, force grease under the cage between the rollers from the large end of the rollers until it shows at the small end.

Fill the hub with grease to the inside diameter of the outer races and also fill hub grease cap. This layer combats moisture and retains grease in cones.

WARNING: Failure to correctly lubricate bearing and maintain proper lubrication may result in damage that could cause wheel to lock or come off during operation, creating a risk of serious bodily harm.

Clean and inspect hubs and spindles



2 Remove all old lubricant from rotor/hub assembly and spindle, then clean them with kerosene or mineral seal. Inspect spindle for scoring, bending, thread or other damage. File off nicks and burrs.

Follow manufacturer's recommendation for permissible spindle wear. A light grease coating on the cone seats will make installation easier and prevent fretting.

Install grease seal



5 Grease seals must be replaced when they leak or when bearings are being repacked or replaced. Install inner cone in hub, then the seal. Make sure the seal lips are pointed in the right direction. Use the proper seal installation tool.

Install cup



3 Use a cup driver or mild steel bar to press or drive the new cup into the hub until it is solidly seated against the hub shoulder. Be careful not to damage the cup surfaces. Never use a cone to drive a cup.

Install rotor/hub assembly



6 Slide the rotor/hub assembly back over the spindle, being careful not to damage the seal against the spindle. Insert the grease-packed outer cone, washer and adjusting nut.

WHEEL BEARING REPLACEMENT *continued*

Adjust bearing

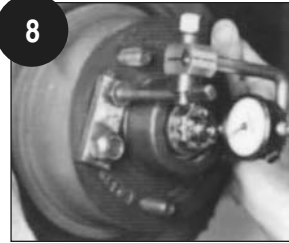


Use a 12" wrench to tighten the adjusting nut while turning the rotor. When the rotor binds slightly, all the bearing parts are seated properly.

Back off the nut 1/6 to 1/4 turn or sufficiently to allow 0.001" to 0.007" end play. Then lock the nut with a new cotter pin.

WARNING: Failure to back off the adjusting nut may cause the bearing to run hot and be damaged, which could cause wheel to lock or come off during operation, creating a risk of serious bodily harm.

Check bearing adjustment



Use a dial indicator to measure end play. Mount the indicator base as close to the center of the hub/ rotor as possible. With the indicator tip against the end of the spindle, set the indicator at zero.

Grasp the rotor at nine o'clock and three o'clock. Push the rotor in while oscillating and read the dial indicator. Then pull the rotor out while oscillating and read the dial indicator again.

The bearing endplay is equal to the total indicator movement. Reinstall all components as manufacturer recommends.

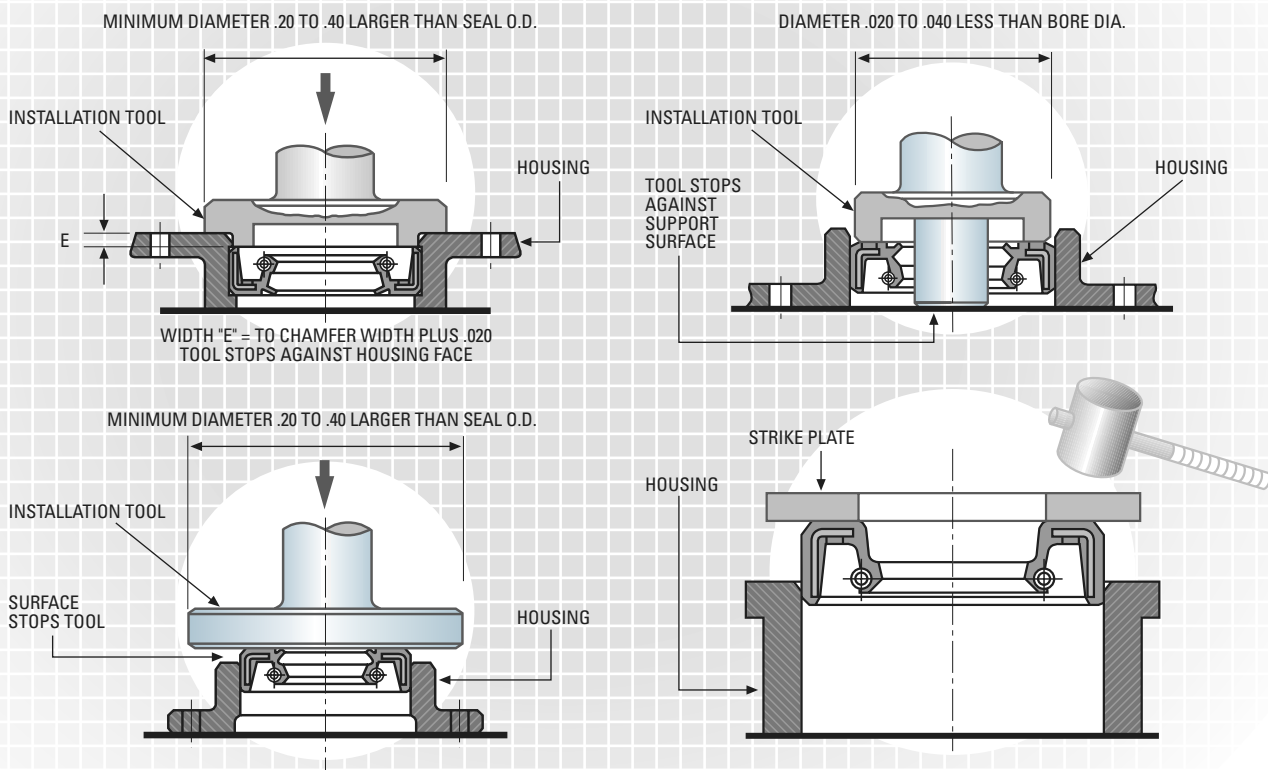
WARNING: Failure to follow recommended procedure for removal and installation may cause damage resulting in wheel locking or coming off during operation, creating a risk of serious bodily harm.

SEAL AND SHAFT INSTALLATION PROCEDURES

The subject of installation is commonly overlooked when selecting an oil seal for an application. Possibly, this is one of the major causes of premature seal failure. To assist the installation, the seal should be prelubricated with grease or oil to reduce sliding friction of contact surfaces. This also helps protect the seal lips during initial run-in.

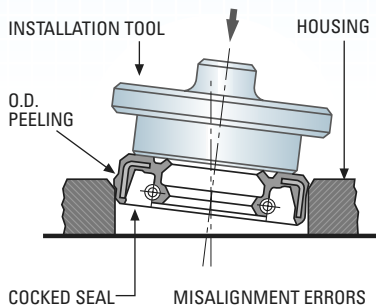
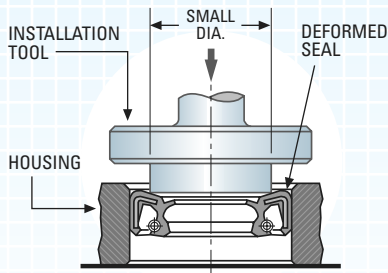
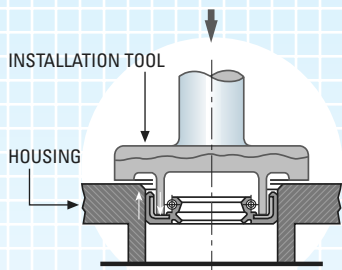
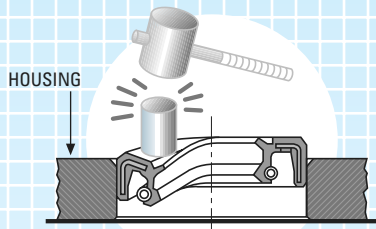
An installation tool should always be used when installing an oil seal. Using a tool improves ease of installation and reduces the possibility of seal cocking (non-perpendicular to shaft). A hydraulic or pneumatic press is advised to supply necessary force to install the seal. Following are examples of both recommended and improper installation methods.

ACCEPTABLE METHOD OF SEAL INSTALLATION



In each preferred method, installation load is absorbed by either housing or bottom plate to prevent seal damage and to assist in locating the seal properly within the bore.

IMPROPER METHOD OF SEAL INSTALLATION

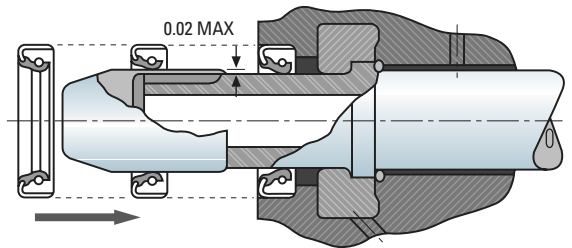


SHAFT INSTALLATION

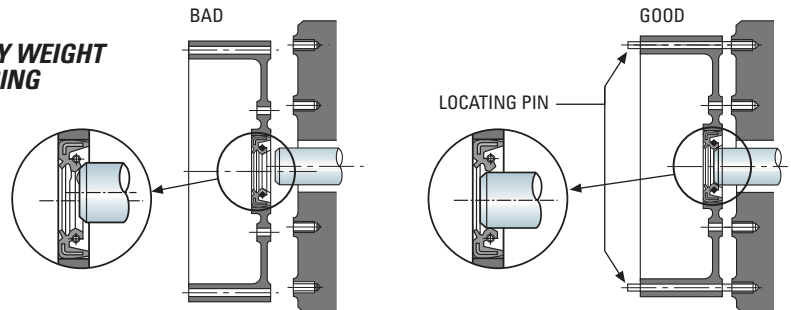
The advisable sequence of installation is to install the seal over the shaft and then into the housing bore. Care should be exercised not to damage or deform the seal lip. The proper chamfer angle will minimize this problem. When installing over a keyway or spine, a sleeve or bullet should be employed to protect the seal lip from cuts.

Where the shaft must be installed through the seal, centering guides for the shaft will prevent lip deformation and dislodging of the spring. When possible, the shaft should be rotated as it passes through the seal to reduce sliding friction.

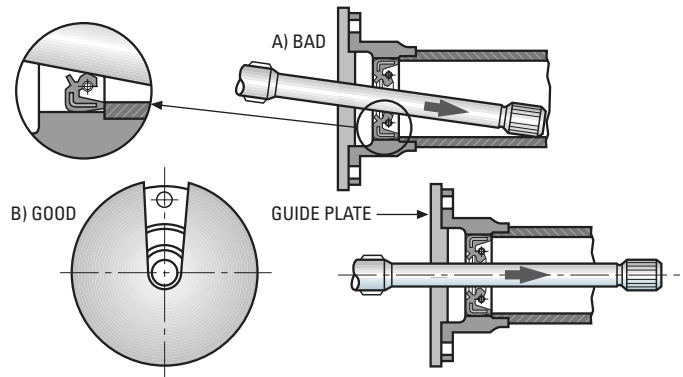
SEAL INSTALLATION OVER SHAFT SPLINES



HEAVY WEIGHT HOUSING



LONG SHAFT



WARNING: Proper maintenance and handling practices are critical. Follow the equipment manufacturer's installation instructions. Failure to follow installation instructions and to maintain proper lubrication can result in equipment failure and could lead to a risk of serious bodily harm.

DRIVELINE CENTER SUPPORT BEARINGS

Interchangeability, Quality, Durability, Decreased Costs

Driveline Center Support Bearings For:

- Light duty pick-ups
- Light duty vans
- Mid-size trucks
- School buses
- Heavy duty highway vehicles

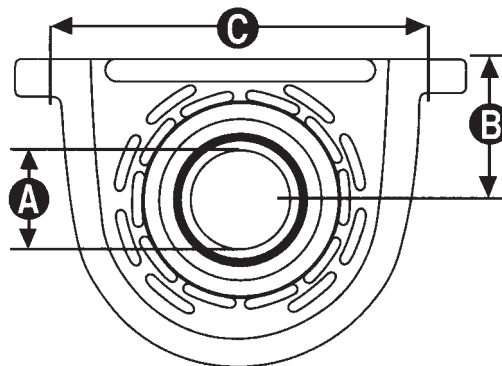
Now you can get Driveline Center Support Bearings through The Timken Company – interchangeable with all major truck applications.

The eight part numbers listed in the Quick Reference Dimension Guide can equip the most popular light-duty pick-ups, vans, mid-size trucks, school buses and heavy duty highway vehicles, including Chevrolet, Ford, Freightliner, Navistar and Volvo-GM.

Consult the application data for a complete listing bearings for your drive shaft applications.

Those Driveline Center Support Bearings are constructed with frames made from heavy gauge cold-rolled steel. The 100% USA-made bearing inserts are pregreased and sealed at the factory, with a second grease barrier applied between the sealed bearing and dust shields to maximize protection – ready to install right out of the box.

Interchangeability. Increased quality and durability. Extended service life. It all adds up to more value and decreased operating costs-per-mile for your customers.



QUICK REFERENCE DIMENSION GUIDE

Part Number	A	B	C
HB206FF	1.1811"	3-1/2"	N.A.
HB88107A	1.3780	2-1/4"	6-5/8"
HB88508	1.5748"	2-1/2"	6-5/8"
HB88508A	1.5748"	2-1/4"	6-5/8"
HB88509	1.7717"	2-3/4"	7-5/8"
HB88510	1.9685"	2-7/8"	7-5/8"
HB88512AHD (vented rubber cushion)	2.3622"	3-3/8"	8-5/8"
HB88512ASHD (solid rubber cushion)	2.3622"	3-3/8"	8-5/8"

Note: HB88512ASHD (solid rubber cushion) is directly interchangeable with HB88512AHD (vented rubber cushion).

CATALOG COMMENT CARD

TIMKEN®

Catalog Name _____ Page No. _____

1. Comments: (Please type or print clearly)

2. Is this catalog your primary reference for Timken products? If not, what is? _____

3. What should we include in updates of this catalog? _____

4. What section (list page numbers) do you use the least in the catalog? _____

Company Name _____
Address _____
City _____ State _____ Zip _____
Name and Title _____
Phone _____ E-mail address _____ Date _____

Please use this to comment on Timken catalogs. Do not use this to order catalogs.

For more on The Timken Company, visit us on the internet at www.timken.com or www.timkeninfo.com or send an e-mail to auto.am@timken.com.

ESAC 1989 And Older 2004 Catalog

CATALOG COMMENT CARD

TIMKEN®

Catalog Name _____ Page No. _____

1. Comments: (Please type or print clearly)

2. Is this catalog your primary reference for Timken products? If not, what is? _____

3. What should we include in updates of this catalog? _____

4. What section (list page numbers) do you use the least in the catalog? _____

Company Name _____
Address _____
City _____ State _____ Zip _____
Name and Title _____
Phone _____ E-mail address _____ Date _____

Please use this to comment on Timken catalogs. Do not use this to order catalogs.

For more on The Timken Company, visit us on the internet at www.timken.com or www.timkeninfo.com or send an e-mail to auto.am@timken.com.

ESAC 1989 And Older 2004 Catalog

CATALOG COMMENT CARD

TIMKEN®

Catalog Name _____ Page No. _____

1. Comments: (Please type or print clearly)

2. Is this catalog your primary reference for Timken products? If not, what is? _____

3. What should we include in updates of this catalog? _____

4. What section (list page numbers) do you use the least in the catalog? _____

Company Name _____
Address _____
City _____ State _____ Zip _____
Name and Title _____
Phone _____ E-mail address _____ Date _____

Please use this to comment on Timken catalogs. Do not use this to order catalogs.

For more on The Timken Company, visit us on the internet at www.timken.com or www.timkeninfo.com or send an e-mail to auto.am@timken.com.

ESAC 1989 And Older 2004 Catalog

CATALOG COMMENT CARD

TIMKEN®

Catalog Name _____ Page No. _____

1. Comments: (Please type or print clearly)

2. Is this catalog your primary reference for Timken products? If not, what is? _____

3. What should we include in updates of this catalog? _____

4. What section (list page numbers) do you use the least in the catalog? _____

Company Name _____
Address _____
City _____ State _____ Zip _____
Name and Title _____
Phone _____ E-mail address _____ Date _____

Please use this to comment on Timken catalogs. Do not use this to order catalogs.

For more on The Timken Company, visit us on the internet at www.timken.com or www.timkeninfo.com or send an e-mail to auto.am@timken.com.

ESAC 1989 And Older 2004 Catalog



NO POSTAGE
NECESSARY
IF MAILED
IN THE
UNITED STATES



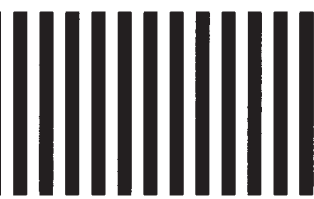
BUSINESS REPLY MAIL
FIRST-CLASS MAIL PERMIT NO 38 CANTON OH

POSTAGE WILL BE PAID BY ADDRESSEE

AUTOMOTIVE AFTERMARKET - BON 10
THE TIMKEN CO
1835 DUEBER AVE SW
CANTON OH 44799-6017



NO POSTAGE
NECESSARY
IF MAILED
IN THE
UNITED STATES



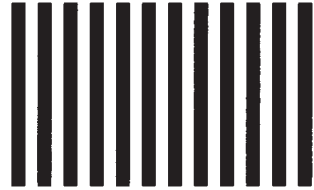
BUSINESS REPLY MAIL
FIRST-CLASS MAIL PERMIT NO 38 CANTON OH

POSTAGE WILL BE PAID BY ADDRESSEE

AUTOMOTIVE AFTERMARKET - BON 10
THE TIMKEN CO
1835 DUEBER AVE SW
CANTON OH 44799-6017



NO POSTAGE
NECESSARY
IF MAILED
IN THE
UNITED STATES



BUSINESS REPLY MAIL
FIRST-CLASS MAIL PERMIT NO 38 CANTON OH

POSTAGE WILL BE PAID BY ADDRESSEE

AUTOMOTIVE AFTERMARKET - BON 10
THE TIMKEN CO
1835 DUEBER AVE SW
CANTON OH 44799-6017



NO POSTAGE
NECESSARY
IF MAILED
IN THE
UNITED STATES



BUSINESS REPLY MAIL
FIRST-CLASS MAIL PERMIT NO 38 CANTON OH

POSTAGE WILL BE PAID BY ADDRESSEE

AUTOMOTIVE AFTERMARKET - BON 10
THE TIMKEN CO
1835 DUEBER AVE SW
CANTON OH 44799-6017



TIMKEN SET INTERCHANGE

Interchange Data

BEARING SET NUMBERS			BEARING NUMBERS
Timken	CR	Federal Mogul	Cone/Cup
SET1	BR1	A-1	LM11749/LM11710
SET2	BR2	A-2	LM11949/LM11910
SET3	BR3	A-3	M12649/M12610
SET4	BR4	A-4	L44649/L44610
SET5	BR5	A-5	LM48548/LM48510
SET6	BR6	A-6	LM67048/LM67010
SET7	BR7	A-7	M201047/M201011 with locking collar
SET8	BR8	A-15	L45449/L45410
SET9	BR9	A-9	U298/U261L with locking collar
SET10	BR10	A-10	U399/U360L with locking collar
SET11	BR11	A-18	JL69349/JL69310
SET12	BR12	A-12	LM12749/LM12710
SET12F	NA	NA	LM12749F/LM12710
SET12FP	NA	NA	LM12749FP/LM12710P
SET13	BR13	A-13	L68149/L68110
SET14	BR14	A-14	L44643/L44610
SET15	BR15	A-19	07100/07196
SET16	BR16	A-16	LM12749/LM12711
SET17	BR17	A-17	L68149/L68111
SET20	BR20	A-20	U399A/U365L with locking collar and seal
SET21	BR21	A-21	1988/1922
SET22	BR22	A-29	2 of (LM67045)/2 of (LM67010-Z)
SET23	BR23	A-23	LM104949E-904A2
SET24	BR24	A-31	JL68145/JL68111-Z - Sold as set only
SET25	BR25	A-22	JLM506848E-90K02
SET26	BR26	A-40	JLM104946/JLM104910-Z
SET27	BR31	A-24	Components - Not sold separately
SET28	BR28	A-28	J15585/15520
SET30	BR30	A-30	JLM67042/LM67010 - Sold as set only
SET32	BR32	A-32	Components - Not sold separately
SET33	BR33	A-33	Components - Not sold separately
SET34	BR34	A-34	LM12748F/LM12710
SET35	B35	B35	JRM3534-90U01
SET36	BR36	A-36	LM603049/LM603012
SET37	BR37	A-37	LM603049/LM603011
SET38	BR38	A-38	LM104949/LM104911
SET39	FW113	B38	JRM3939-90U08
SET40	B39	B39	JRM4040A-90U02 - When depleted use B39
SET41	BR41	A-41	Components - Not sold separately
SET42	BR42	A-42	JLM506849A/JLM506811
SET43	BR43	A-43	Components - Not sold separately
SET45	BR35	A-35	LM501349/LM501310
SET46	BR39	A-39	JL26749F/JL26710
SET47	BR50	None	LM102949/LM102910
SET48	B42	513006	JRM4042-90UA1 - When depleted use 513006
SET49	FW115	513058	JRM4249-90UA1

MileMate® Matched Wheel Bearing Sets

Timken MileMate No.	Timken Part Number	Timken MileMate No.	Timken Part Number
SET401	580/572	SET420	H715345/H715311
SET402	582/572	SET421	HM516449A/HM516410
SET403	594A/592A	SET422	HM516449C/HM516410
SET404	598A/592A	SET423	6461A/6420
SET405	663/653	SET424	555-S/552A
SET406	3782/3720	SET425	567/563
SET407	28682/28622	SET426	47679/47620
SET408	39590/39520	SET427	NP899357/NP026773
SET409	45280/45220	SET428	NP874005/NP435398
SET410	45284/45220	SET429	NP034946/NP363298
SET411	47686/47620	SET430	NP840302/NP053874
SET412	HM212047/HM212011	SET431	NP965350/NP503727
SET413	HM212049/HM212011	SET432	NP174964/NP593561
SET414	HM218248/HM218210	SET433	NP431952/NP378092
SET415	HM518445/HM518410	SET434	NP555065/NP720703
SET416	45291/45220	SET435	NP568900/NP107783
SET417	47890/47820	SET436	NP577914/NP975161
SET418	H715334/H715311	SET437	NP022333/NP250023
SET419	H715343/H715311	SET438	NP417549/NP156827
		SET439	HM212049X/HM212011

US \$10

TIMKEN

A LEADER IN MANUFACTURING
AND BEARING HUB TECHNOLOGY

HUB ASSEMBLIES

- ABS Hub Assemblies
- ABS Hub Assemblies with SENSOR-PAC™ Bearings
- Non-ABS Hub Assemblies
- Non-ABS Hub Assemblies with UNIPAC™ - Bearings
- Non-ABS Hub Assemblies with UNIPAC-PLUS™ - Bearings

BEARINGS

- Ball Bearings
- Clutch Release Bearings
- Cylindrical Bearings
- Cylindrical Axle Repair Bearings
- Driveline Center Support Bearings
- Needle Bearings
- Tapered Bearings

Harmonic Balancer Repair Kits

KWIK-Sleeves™ - Components

Sensor Kits

SEALS

- Automotive
- Industrial
- Light Duty Oil Bath Seals
- Metric

SPECIALTY KITS

- DT Components® Drivetrain Products
- Differential Kits
- MileMate® Matched Wheel Bearing Sets
- Transmission Kits
- Transaxle & Transfer Case Kits
- Trailer Kits
 - Kits with Standard Bearings
 - Premium Kits with AquaSpexx™ Bearings

DT Components® Drivetrain Products and MileMate® Matched Wheel Bearing Sets are trademarks of The Timken Company.

Timken® is the registered trademark of The Timken Company.
www.timken.com
www.timkeninfo.com
©2004 The Timken Corporation



TIMKEN

WORLDWIDE LEADER IN BEARINGS AND STEEL